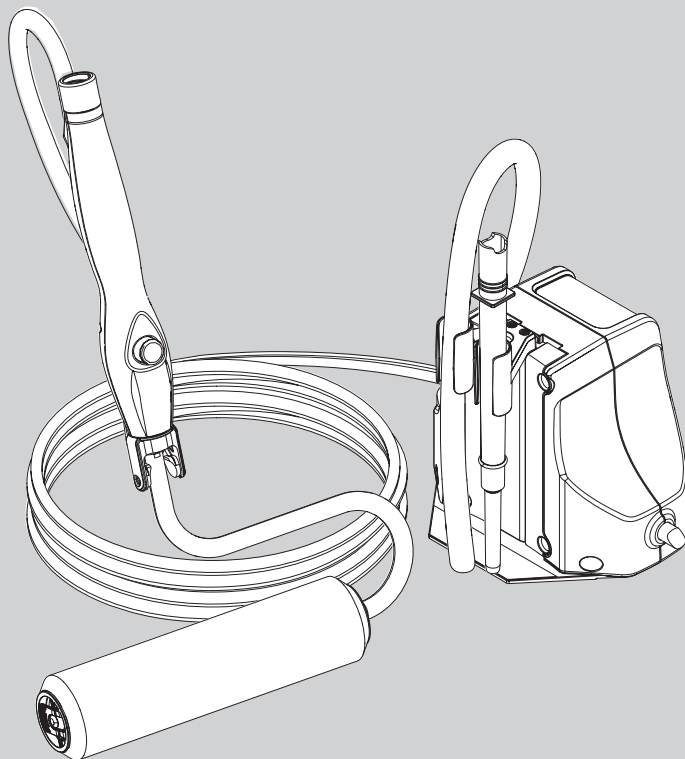


**WAGNER**

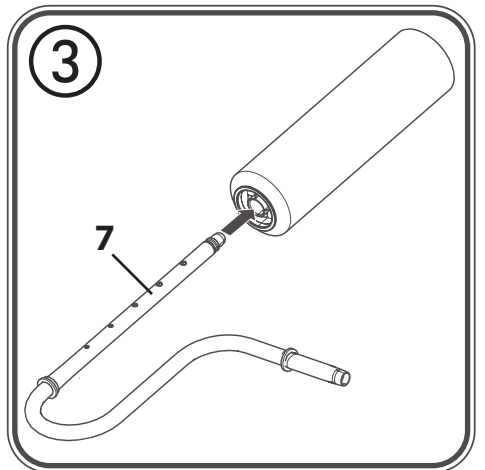
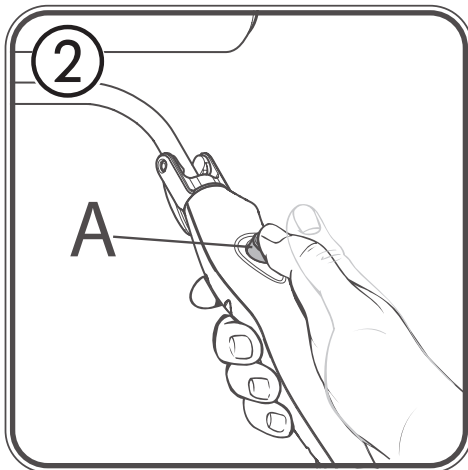
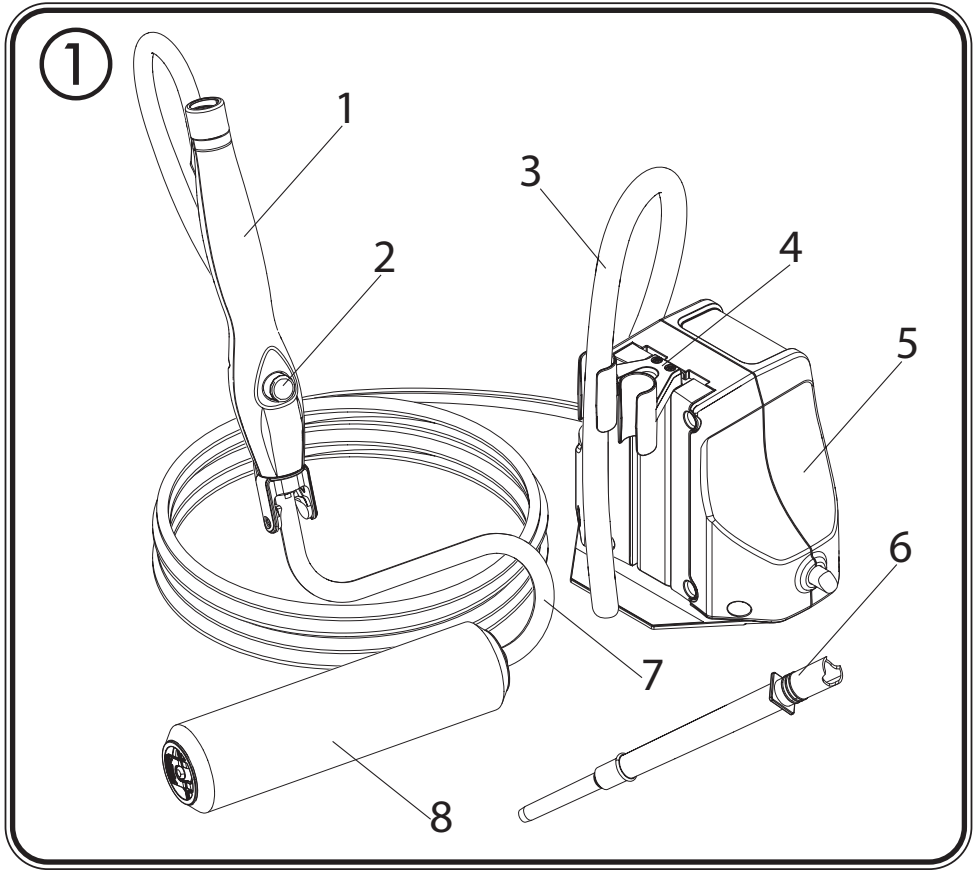


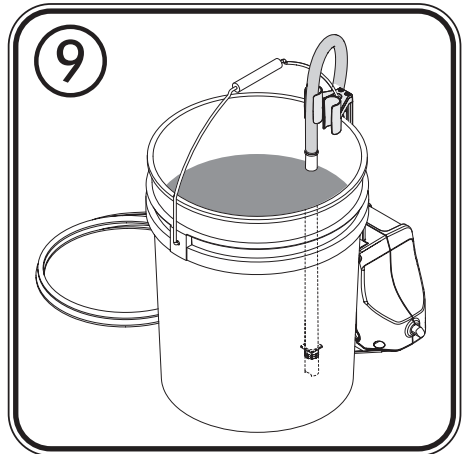
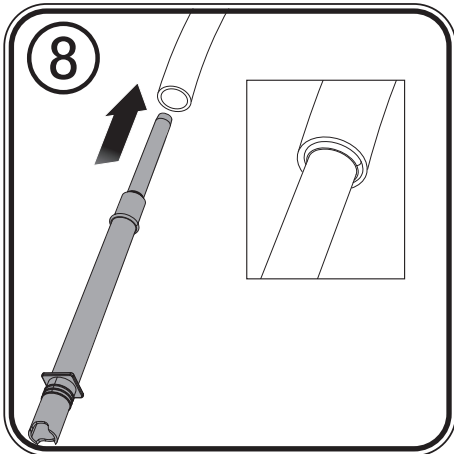
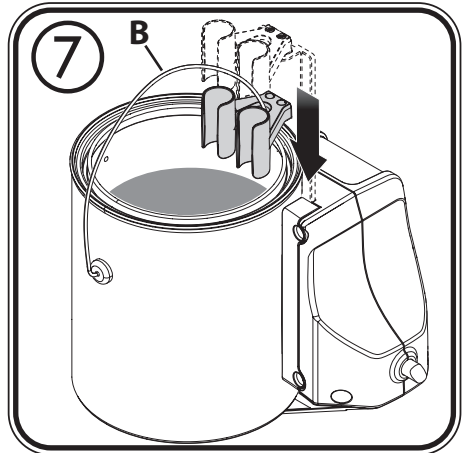
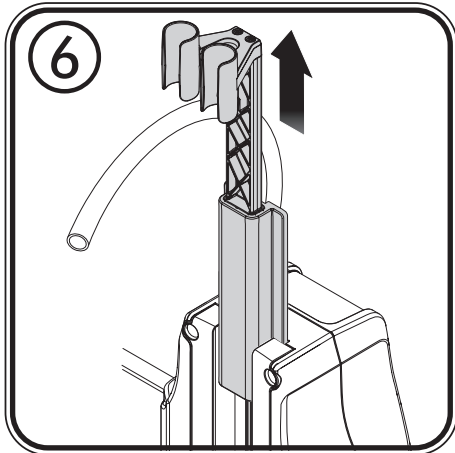
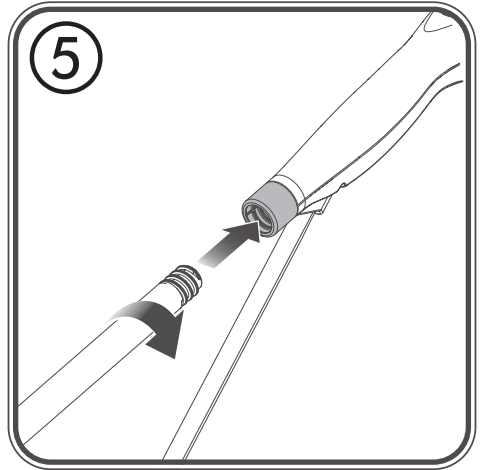
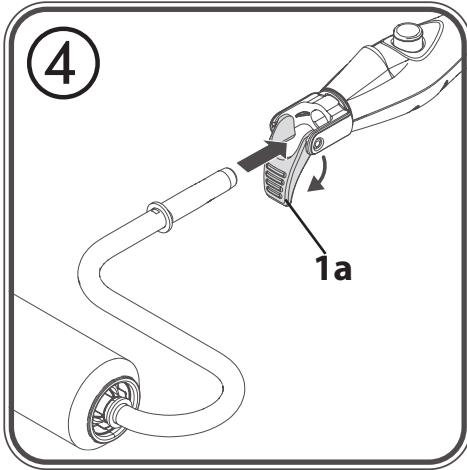
# **POWERFLOW EZ-ROLLER**

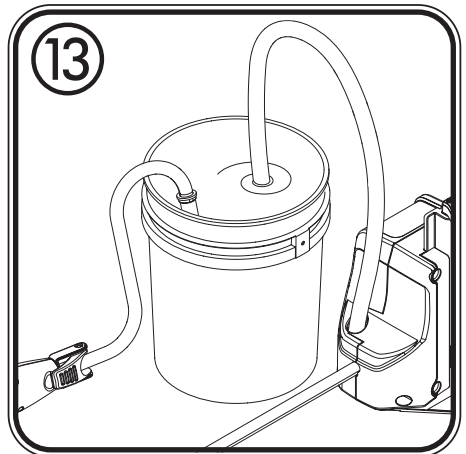
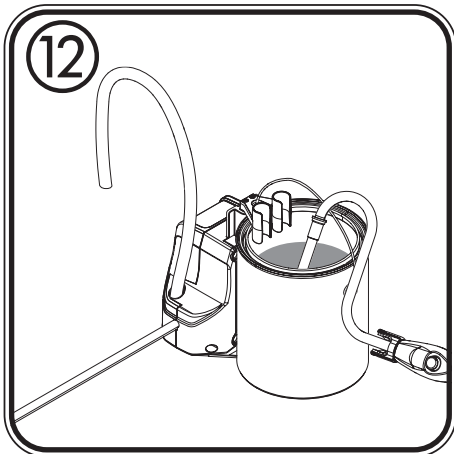
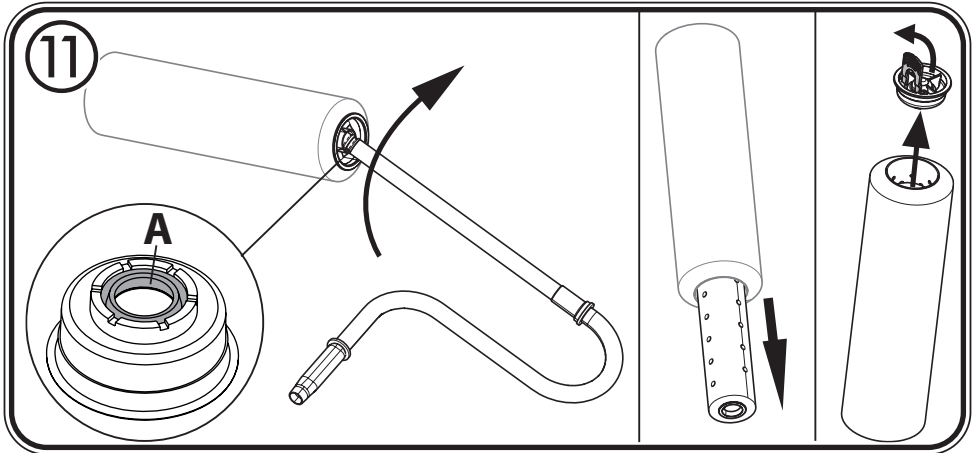
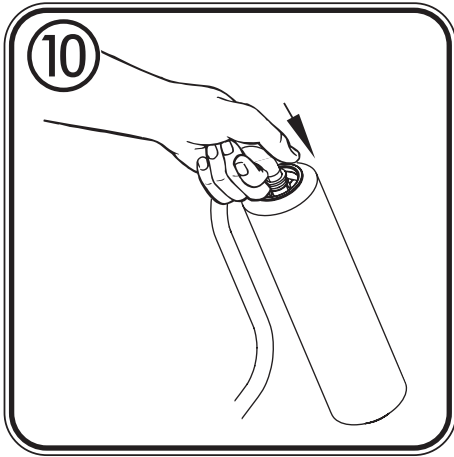
**TYPE 0478**

**AUS**

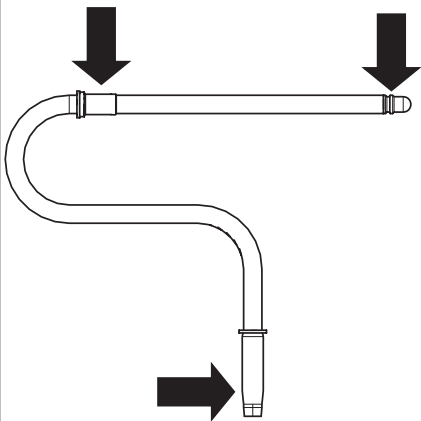
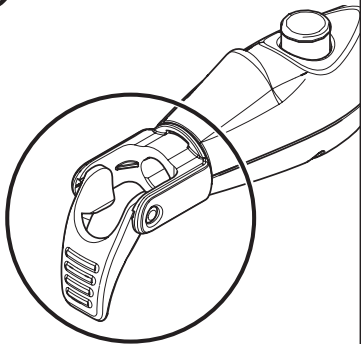
## **OPERATING INSTRUCTIONS**



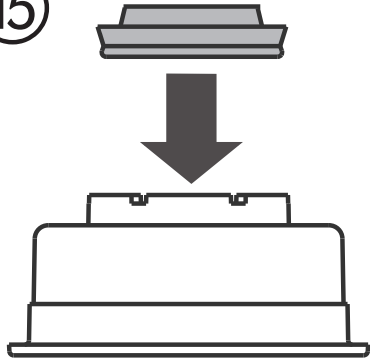




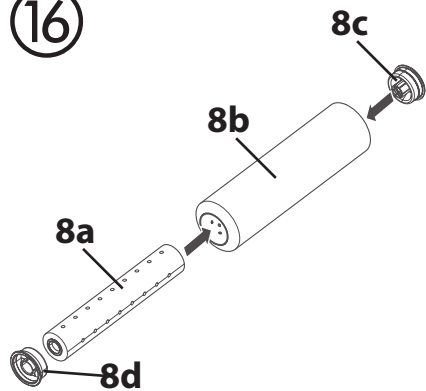
14



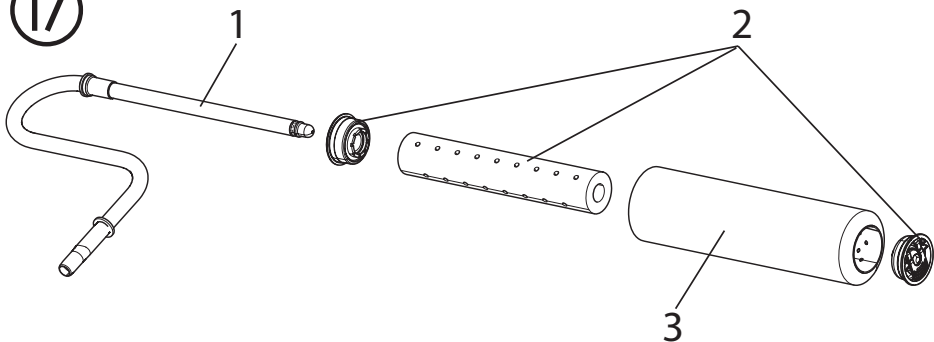
15



16



17



**MANY THANKS FOR PLACING YOUR TRUST IN US**

We would like to congratulate you on purchasing this brand product from Wagner; we are sure that you will enjoy working with it greatly.

Please read the Operating Instructions carefully and observe the safety information before starting the device. Store the Operating Manual in a safe place close to the product in case it needs to be used by someone else.

We would be happy to be of assistance if you have any questions, suggestions or requests. Please contact us via the phone number included on the back page or via our homepage, [www.wagneraustralia.com.au](http://www.wagneraustralia.com.au).

**Contents**

- General safety instructions .....2
- Description/ Scope of delivery.....4
- Control elements (Fig. 2) .....4
- Field of application .....4
- Processable coating substances .....5
- Non-processable coating substances .....5
- Preparation of workplace and coating substance.....5
- Assembly .....5
- Initial startup .....5
- Working with the PowerFlow EZ-Roller.....6
- Transportation.....6
- Interruption of work for up to 4 hours .....6
- Prolonged interruption of work .....6
- Shutting down and cleaning .....7
- Reassembling the paint roll and roller frame .....8
- Storage.....8
- Spare Parts .....8
- Accessories .....8
- Eliminating faults .....9
- Technical Data .....9
- Environmental protection ..... 10
- Important information on product liability! ..... 10

**General safety instructions**

**Attention!** *Read all safety warnings, instructions, illustrations and specifications provided with this device. Failure to follow all instructions listed below may result in electric shock, fire and/or serious injury. Keep all safety information and instructions for future reference.*



## 1. Safety at the workplace

- a) **Keep your workplace clean and well lit.** *Disorder or unlit workplaces may result in accidents.*
- b) **Never use the device in hazardous areas that contain flammable liquids, gases or dusts.** *The device generates sparks that may ignite the dust or fumes.*

## 2. Electrical safety

- a) **The power plug of the device must fit in the socket. The plug may not be modified in any form.** *Unmodified plugs and suitable sockets reduce the risk of an electric shock.*
- b) **Keep the device away from rain and moisture. Never immerse the device and handle into liquids.** *The risk of an electric shock increases if water penetrates electrical equipment.*
- c) **A properly earthed socket outlet with earthing contact must be used for connection. The connection must be equipped with a residual current protective device with  $INF \leq 30$  mA.**
- d) **Do not misuse the power cord to carry the device, hang up the device or pull the plug out of the socket. Keep the power cord away from heat, oil, sharp edges or moving parts.** *Damaged or entangled power cords increase the risk of an electric shock.*
- e) **If you are working with a device outdoors, only use extension cords that are suitable for the outdoor area.** *Using an extension cord that is suitable for the outdoor area reduces the risk of an electric shock.*

## 3. Personal safety

- a) **This device can be used by children over the age of 8 as well as by people with restricted physical, sensory or mental abilities or who have little experience or knowledge about it, providing they are supervised or instructed on how to use the device safely and what risks are involved.** *Children may not play with the device. User maintenance and cleaning may not be carried out by children unattended.*

## 4. Careful Handling and Use of the device

- a) **Do not use devices whose switch is defective.** *A device that cannot be switched on or off is dangerous and has to be repaired.*
- b) **Always ensure that the device is in a secure, horizontal position. Only operate the device when it is standing on the floor.**
- c) **Remove the plug from the socket during breaks, before carrying out device settings, changing accessories or putting the device away.** *This precautionary measure prevents unintentional starting of the device.*



## Processable coating substances

Water-dilutable dispersion and latex paints for interior and exterior walls.

## Non-processable coating substances

Solvent-containing paints and lacquers, and materials that contain highly abrasive components. Flammable materials.

## Preparation of workplace and coating substance

- Before commencing work cover floor, furniture and other objects or mask with adhesive tape.
- Place the device and the paint container on an adequately large piece of sheeting or cardboard.
- Stir the paint well and dilute by up to approx. 10 % if necessary (adhere to manufacturer's instructions).

## Assembly

- 1) Push the roller frame (fig. 3, 7) into the paint roll until it audibly engages.
- 2) Open the lever (Fig. 4, 1a) on the handle and insert the roller handle into the handle.
- 3) Secure the roller handle by folding down the lever.



A conventional extension for the paint roller (not included, e.g. available in a DIY store) can be attached to the handle of the PowerFlow EZ-Roller. (Fig. 5) An extension like this makes the work more comfortable, as you can hold the handle with both hands.

## Initial startup

Before connecting the device to the mains supply, ensure that the line voltage matches that specified on the rating plate.

- 1) Hold the height-adjustable attachment for paint bucket (fig. 6) at the side and pull upwards.



Important. The bucket handle must be between both fixtures. Otherwise the bucket could be tipped by the weight of the PowerFlow EZ-Roller when being transported and leak paint.

- 2) Position the paint bucket on the ledge so that the bucket handle (fig. 7, B) is between both fixtures.
- 3) Push the height-adjustable paint bucket attachment (fig. 7) down in order to secure the bucket.



Insert the extension into the suction hose (Fig. 8) if you are using a large paint bucket. This ensures that the suction hose reaches to the bottom of the paint bucket.

- 4) Secure the suction hose (fig. 9) inside the fixture and push to the floor of the bucket.
- 5) Press the on/off switch on the handle to start the pump and have the paint conveyed into the paint roll via the hose (this can take up to 1 minute, depending on the paint).

## Working with the PowerFlow EZ-Roller



Even application of the paint is important to attain good results. If there is not enough paint in the roller, it is more difficult to attain an even coverage. If too much paint is pumped into the roller, the paint can run. Try it out first on a piece of cardboard and switch the pump on and off to suit your preferred speed of painting.

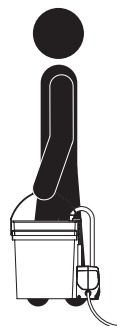
- If you want to paint a complete room, paint the ceiling first, followed by the walls.
- Start at sources of light (e.g. window) and work away from them.
- Always finish painting a wall before taking a longer break.

## Transportation



Important. The bucket handle must be between both fixtures. Otherwise the bucket could be tipped by the weight of the PowerFlow EZ-Roller when being transported and leak paint. Do not use the device while it is being carried.

- Once the device is attached to the paint bucket, you can carry it easily together with the bucket. **Check that the device is securely attached to the bucket before it is lifted by the handle.**
- **Do not carry or pull the device by the hoses to avoid any damage.**



## Interruption of work for up to 4 hours

- Switch device off and unplug the power cord.
- Immediately place paint roll in a plastic bag and tie so that it is air-tight.
- Leave the suction hose in the paint.

## Prolonged interruption of work

- Switch device off and unplug the power cord.
- Place paint roll in a bucket filled with water.
- Leave the suction hose in the paint.
- Wet paint surface in paint container with a little water to prevent a skin from forming.

## Shutting down and cleaning

**Proper cleaning is a prerequisite for perfect operation of the device. No warranty claims can be undertaken if cleaning is not carried out or is carried out incorrectly.**



Clean the device only with water (warm and soapy water is recommended).  
**Do not immerse the handle in water during cleaning.**



Keep the ON/OFF switch in the handle free from water and paint. A dirty ON/OFF switch will impair the function of your device.

- 1) Switch device off and unplug the power cord.
- 2) Wipe the paint roll off above the paint container.
- 3) Remove the paint roller from the roller frame. (Fig. 10).
- 4) Lever the cap out of the paint roller using the roller handle and pull out the inner roller. Pull the other cap out of the paint roller at the handle end. (Fig. 11).
- 5) Clean all parts of the paint roll in lukewarm water.



In particular, clean the seal in the cap (Fig. 11, A), as dried paint residue can cause the paint roller to leak.

- 6) Hold the roller frame over the paint bucket and press the on/off switch to pump the paint out of the hose and into the paint bucket. (Fig. 12)
- 7) Switch the pump off again.
- 8) Put the end of the suction hose into a bucket of water. (Fig. 13)
- 9) Put the roller frame into the bucket of water. (Fig. 13)  
If you have one, you can put the roller frame into an empty bucket. This ensures that the dirty water is not pumped through the system again and the cleaning effect is better.
- 10) Press the on/off switch to start the cleaning process. Let the water circulate through the device for about 10 minutes to clean the pump and hoses. If necessary renew the water.



Residual paint might remain in the hose. This is normal and does not influence any future work negatively.



With pumps filled with water, at temperatures below 0°C there is a risk of frost damage. After cleaning, pump all the water out of the device and hose.

- 11) Remove the roller frame from the handle.
- 12) Wipe these parts very thoroughly. Especially the areas marked in Fig. 14 must be completely freed of paint and lubricated, in order to guarantee perfect functioning.
- 13) If necessary, wipe the housing of the Power-Flow EZ-Roller with a cloth. **Liquids must not enter the device.**

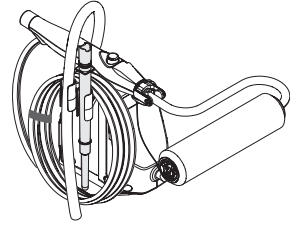
## Reassembling the paint roll and roller frame

- 1) Make sure you insert the seal into the cap the right way round. (Fig. 15)
- 2) Place the inner roll (fig. 16, 8a) in the paint roll (8b) and close the paint roll with the two caps (8c and 8d).
- 3) Push the paint roll onto the roller frame until it audibly engages.

## Storage



**Attention! Risk of damage due to freezing water. Store the device in a dry, frost-free place only once it has been completely emptied.**



## Spare Parts

**Spare parts list (Fig. 17)**

Item	Designation	Order No.
1	Roller frame	2422073
2	Inner roll and cover cap	2422071
3	Roller Cover (9.5mm pile, for smooth surfaces)	0155206K
	Lubricating grease (no fig.)	2315 539

## Accessories

**Accessories (not included in the scope of supply)**


Designation	Order No.
Roller Cover (19mm pile, for rough surfaces)	0155208E

**For further information on the WAGNER product range for the renovation sector, visit [www.wagneraustralia.com.au](http://www.wagneraustralia.com.au)**

## Eliminating faults

Malfunction	Cause	Remedy
Device is non-operational	<ol style="list-style-type: none"> <li>1. The power plug is not inserted.</li> <li>2. Pump is not switched on.</li> <li>3. The material hose is kinked.</li> </ol>	<ol style="list-style-type: none"> <li>1. Insert the power plug.</li> <li>2. Press the on/off switch on the handle.</li> <li>3. Remove the kink.</li> </ol>
No coating substance emerges from the paint roll	<ol style="list-style-type: none"> <li>1. The end of the suction hose is not in the paint.</li> <li>2. The suction hose is blocked.</li> <li>3. No paint in the paint roll</li> </ol>	<ol style="list-style-type: none"> <li>1. Immerse the suction hose completely in the paint.</li> <li>2. Clean the suction hose</li> <li>3. Press the on/off switch.</li> </ol>
The pump cannot be switched on or off	<ol style="list-style-type: none"> <li>1. The material hose is kinked.</li> <li>2. ON/OFF switch blocked/defective</li> </ol>	<ol style="list-style-type: none"> <li>1. Remove the kink.</li> <li>2. Contact Customer Service.</li> </ol>
Paint escapes from the device	<ol style="list-style-type: none"> <li>1. Device not correctly cleaned.</li> <li>2. Seal in cap incorrectly fitted.</li> <li>3. Components damaged or worn.</li> <li>4. The hoses are damaged.</li> <li>5. Leaking device</li> </ol>	<ol style="list-style-type: none"> <li>1. Clean the parts described in Fig. 14 and 15.</li> <li>2. Fit the seal the right way round (fig. 15)</li> <li>3. Replace the relevant parts.</li> <li>4. Contact Customer Service.</li> <li>5. Contact Customer Service.</li> </ol>

## Technical Data

Technical data	
Voltage	230 V~, 50 Hz
Power consumption	50 W
Protection class (electric)	II, 
Paint flow rate	500 ml/min
Max flow rate (water)	750 ml/min
Degree of protection	IPx4
Sound pressure level	< 65 dB (A), Uncertainty K = 3 dB (A)
Length of material hose	5.0 m
Length of power cord	1.8 m
Weight	approx. 2.1 kg

## Environmental protection



The device and all accessories and packaging have to be recycled in an environmentally friendly manner. Do not dispose of the appliance with household waste. Support environmental protection by taking the appliance to a local collection point or obtain information from a specialist retailer. Leftover paint and solvents may not be emptied into drains, the sewage system or disposed of as household rubbish. It has to be disposed of separately as special waste. Please pay special attention to the instructions on the product packaging.

## Important information on product liability!

According to an EU directive, the manufacturer is only liable without limitation for faults in the product if all parts come from the manufacturer or have been approved by the manufacturer and have been mounted to the device and are operated properly. If third-party accessories or spare parts are used, the manufacturer is exonerated wholly or partly from his/her liability if use of the third-party accessories or spare parts have caused a defect in the product.

## 3+1 years guarantee

The guarantee runs for three years, counting from the date of sale (sales slip). The guarantee is extended by a further 12 months if the device is registered online within 4 weeks of the purchase at [www.wagner-group.com/3plus1](http://www.wagner-group.com/3plus1). Registration is only possible if the buyer is in agreement with the data being stored that is entered during registration. The guarantee covers and is restricted to free-of-charge rectification of faults which are demonstrably attributable to the use of faulty materials in manufacture, or assembly errors; or free-of-charge replacement of the defective parts. The guarantee does not cover incorrect use or commissioning or fitting or repair work which is not stated in our operating instructions. Wearing parts are also excluded from the guarantee. The guarantee excludes commercial use. We expressly reserve the right to fulfil the guarantee. The guarantee expires if the tool is opened up by persons other than WAGNER service personnel. Transport damage, maintenance work and loss and damage due to faulty maintenance work are not covered by the guarantee. Under any guarantee claim, there must be proof of purchase of the tool through submission of the original receipt. Wherever legally possible, we exclude all liability for injury, damage or consequential loss, especially if the tool has been used for a purpose other than that stated in the operating instructions, commissioned or repaired other than in accordance with our operating instructions or if repairs are performed by someone who is unqualified. We reserve the right to perform any repairs in excess of those stated in our operating instructions. In case of guarantee or repair, please refer to your point of sale.

**D** **J. WAGNER GMBH**  
Otto-Lilienthal-Str. 18  
88677 Markdorf  
T +49 0180 - 55 92 46 37  
hotline@wagner-group.com

**BE** **WSB FINISHING EQUIPMENT**  
Veilinglaan 56-58  
1861 Wolvertem  
T +32 2 269 46 75  
verkoop@wsb-benelux.be

**CZ** **E-CORECO S.R.O.**  
Na Roudné 102  
301 00 Plzeň  
T +42 734 792 823  
F +42 227 077 364

**F** **J. WAGNER FRANCE SARL**  
Parc Work Center  
8 Route des Bois, Bâtiment C  
F-38500 Voiron - France  
T +33 (0)4 58 09 04 12

**GB** **UK IMPORTER  
WAGNER SPRAYTECH (UK) LTD**  
Innovation Centre  
Silverstone Park, Silverstone  
Northants NN12 8GX  
T + 44 (0) 1327 368410

**DK** **DVA A/S**  
Marielundvej 48 C  
2730 Herlev  
T +45 70 234 239

**DK** **ORKLA HOUSE CARE DANMARK A/S**  
Stationsvej 13  
3550 Slangerup  
Danmark  
T +45 47 33 74 00  
F +45 47 33 74 01

**NOR** **ORKLA HOUSE CARE NORGE AS**  
Nedre Skøyen vei 26,  
PO Box 423, Skøyen  
0213 Oslo  
T +47 22 54 40 19  
kundertservice.ohc@orkla.no

**PL** **WAGNER-SERVICE SP. Z O.O.**  
ul. E. Imieli 30  
41-605 Świątchłowice  
T +48 32 346 37 00  
wsparcie@wagner-polska.com.pl

**S** **ORKLA HOUSE CARE AB**  
Box 133  
564 23 Bankeryd  
Sweden  
T +46(0)36 37 63 00  
info@anza.se

**NL** **WSB FINISHING EQUIPMENT B.V.**  
De Heldinnenlaan 200  
3543 MB Utrecht  
T +31 30 241 41 55  
verkoop@wsb-benelux.nl

**CH** **J. WAGNER AG**  
Industriestraße 22  
9450 Altstätten  
T +41 71 -7 57 22 11  
F +41 71 -7 57 23 23

**E**  
**P** **MAKIMPORT  
HERRAMIENTAS, S.L.**  
C/ Méjico nº 6  
Pol. El Descubrimiento  
28806 Alcalá de Henares (Madrid)  
T +34 902 199 021 /  
+34 91 879 72 00  
F +34 91 883 19 59

**AUS** **WAGNER SPRAYTECH  
AUSTRALIA PTY. LTD.,**  
8 – 10 Dansu Court  
Hallam, Victoria, 3803  
T +61 3 9587 2000  
F +61 3 9580 9120

**I** **WAGNER SPA**  
Via S. Vecchia 109,  
23868 Valmadrera (LC)  
Mobile +39 0341 210100  
wagner\_it\_va@wagner-group.com



Not responsible for errors and changes.

Part. No. 2482626 C  
04/2026\_RS

© Copyright by J.Wagner GmbH