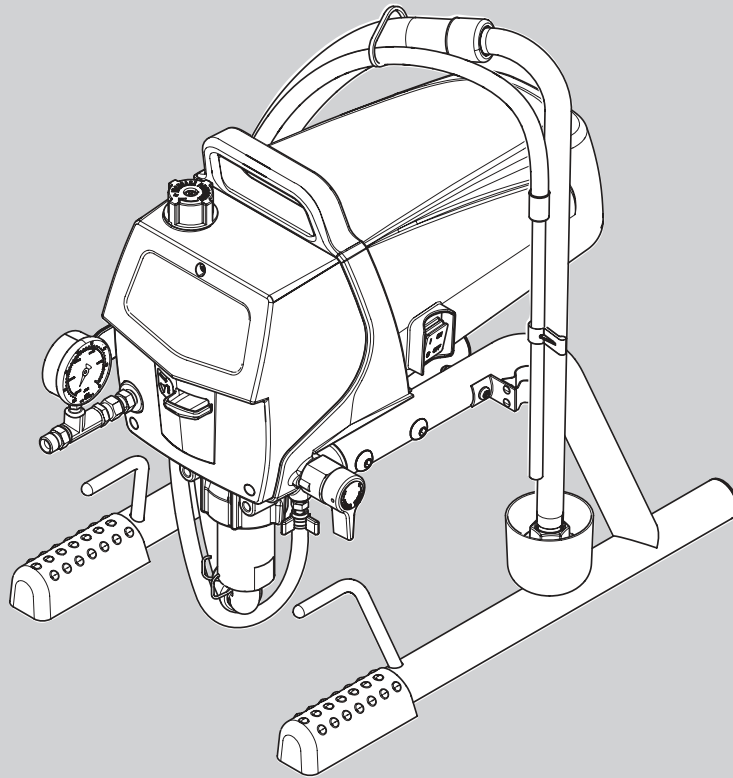


# WAGNER



## PROSPRAY 3.20



- GB -	Operating manual	2
- E -	Manual de instrucciones	29
- P -	Manual de instruções	56

<b>1</b>	<b>GENERAL SAFETY INSTRUCTIONS</b>	<b>3</b>	<b>12</b>	<b>REPAIRS AT THE UNIT</b>	<b>17</b>
			12.1	Relief valve	17
<b>2</b>	<b>SAFETY REGULATIONS FOR AIRLESS SPRAYING</b>	<b>4</b>	12.2	Inlet and outlet valve	18
			12.3	ProSpray 3.20 connection diagram	19
<b>3</b>	<b>GENERAL VIEW OF APPLICATION</b>	<b>7</b>	<b>13</b>	<b>APPENDIX</b>	<b>20</b>
3.1	Application	7	13.1	Selection of tip	20
3.2	Coating materials	7	13.2	Servicing and cleaning of Airless hard-metal tips	20
<b>4</b>	<b>DESCRIPTION OF UNIT</b>	<b>8</b>	13.3	Spray gun accessories	20
4.1	Airless process	8	13.4	Airless tip table	21
4.2	Functioning of the unit	8	13.5	2Speed Tip table	23
4.3	Legend for explanatory diagram ProSpray 3.20	9	13.6	Nozzle cases	24
4.4	Explanatory diagram ProSpray 3.20	9	13.7	TempSpray	25
4.5	Technical data	10	13.8	HEA nozzles for low-mist spraying at low pressure	26
4.6	Transportation in vehicle	10			
<b>5</b>	<b>STARTING OPERATION</b>	<b>10</b>		<b>TESTING OF THE UNIT</b>	<b>27</b>
5.1	High-pressure hose, spray gun and separating oil	10		<b>IMPORTANT INFORMATION ON PRODUCT LIABILITY</b>	<b>27</b>
5.2	Connection to the mains network	11		<b>NOTE ON DISPOSAL</b>	<b>27</b>
5.3	Cleaning preserving agent when starting-up of operation initially	11		<b>GUARANTEE DECLARATION</b>	<b>27</b>
5.4	Taking the unit into operation with coating material	11		<b>EU DECLARATION OF CONFORMITY</b>	<b>28</b>
<b>6</b>	<b>SPRAYING</b>	<b>12</b>		<b>ACCESSORIES</b>	<b>84</b>
				Accessories for ProSpray 3.20	84
<b>7</b>	<b>HANDLING THE HIGH-PRESSURE HOSE</b>	<b>13</b>		<b>SPARE PARTS LISTS</b>	<b>86</b>
<b>8</b>	<b>INTERRUPTION OF WORK</b>	<b>13</b>		Spare parts list for main assembly	86
<b>9</b>	<b>CLEANING THE UNIT (SHUTTING DOWN)</b>	<b>14</b>		Spare parts list for suction system	87
9.1	Cleaning unit from outside	14		Spare parts list of stand	88
9.2	Suction filter	14			
9.3	Cleaning the high-pressure filter	15		<b>WAGNER-SERVICE COMPANIES</b>	<b>92</b>
9.4	Cleaning Airless spray gun	15			
<b>10</b>	<b>REMEDY IN CASE OF FAULTS</b>	<b>16</b>			
<b>11</b>	<b>SERVICING</b>	<b>17</b>			
11.1	General servicing	17			
11.2	High-pressure hose	17			

# 1 GENERAL SAFETY INSTRUCTIONS

**WARNING!** *Read all safety information, instructions, illustrations and technical data provided with this power tool. Failure to observe the following instructions may cause electric shock, fire and/or severe injuries. Keep all safety information and instructions for future reference. The term "power tool" used in this safety information refers to mains-operated power tools (with power cable) and to battery-powered power tools (without power cable).*



## 1. Safety at the workplace

- a) **Keep your workplace clean and well lit.** *Disorder or unlit workplaces may result in accidents.*
- b) **Do not work with the power tool in potentially explosive environments where there are flammable fluids, gases or dust.** *Power tools generate sparks that can ignite the dust or vapors.*
- c) **Keep children and other persons away when using the power tool.** *If distracted, you may lose control of the power tool.*

## 2. Electrical Safety

- a) **The connection plug of the power tool must fit in the socket. The plug may not be modified in any form.** *Verwenden Sie keine Adapterstecker gemeinsam mit schutzgeerdeten Elektrowerkzeugen. Unmodified plugs and suitable sockets reduce the risk of an electric shock.*
- b) **Avoid physical contact with earthed surfaces such as pipes, heating elements, stoves and refrigerators.** *The risk through electric shock increases if your body is earthed.*
- c) **Keep power tools away from rain or moisture.** *Water penetrating into a power tool increases the risk of an electric shock.*
- d) **Do not misuse the power cord to carry the power tool, hang up the power tool or pull the plug out of the socket. Keep the power cord away from heat, oil, sharp edges or moving parts.** *Damaged or entangled power cords increase the risk of an electric shock.*
- e) **If the power tool must be used in a moist environment, use a ground fault circuit interrupter.** *Using a residual current operated circuit-breaker avoids the risk of electric shock.*

## 3. Safety of Persons

- a) **Be attentive. Pay attention to what you are doing and work sensibly with a power tool. Do not use the power tool if you are tired or under the influence of drugs, alcohol or medication.** *One moment of carelessness when using the power tool may cause serious injuries.*

b) **Wear personal safety equipment and always wear safety goggles** *Wearing personal protective equipment, such as dust mask, non-slip safety shoes, safety helmet or ear protection, depending on the type of power tools, reduces the risk of injury.*

c) **Avoid accidental starting-up. Make sure that the power tool is switched off before you connect it to the power tool and/or battery, pick it up or carry it.** *Accidents may happen if you have your finger on the switch while carrying the power tool or if the device is switched on when you connect it to the power supply.*

d) **Remove setting tools or wrenches before switching on the power tool.** *A tool or key in a rotating part of the power tool can cause injuries.*

e) **Avoid an unnatural posture. Ensure that you are standing securely and have your balance at all times.** *This allows you can better control the power tool in unexpected situations.*

f) **Wear suitable clothing. Do not wear wide clothing or jewellery. Keep your hair, clothes and gloves away from moving parts.** *Loose clothing, jewellery or long hair can be caught in moving parts.*

g) **Do not lull yourself into a false sense of security and do not think yourself above the safety rules for electric tools, even if you are familiar with the electric tool following extensive practical experience.** *Careless use can lead to serious injuries in fractions of a second.*

## 4. Usage and treatment of the electric tool

a) **Do not overload the power tool. Use the power tool designed for the work that you are doing.** *You work better and safer in the specified performance range if you use the suitable power tool.*

b) **Do not use power tools whose switch is defective.** *A power tool that cannot be switched on or off is dangerous and has to be repaired.*

c) **Disconnect the plug from the socket and/or take out a removable battery before you make device adjustments, change accessories or put the power tool away.** *This precautionary measure prevents the power tool from starting unintentionally.*

d) **Store unused power tools so that they are inaccessible to children. Do not let persons use the tool who are not familiar with it or who have not read these instructions.** *Power tools are dangerous when they are used by inexperienced persons.*

e) **Maintain the power tool and insertion tools with care. Check whether moving device parts are working flawlessly and are not jamming, whether parts are broken or damaged so that as to impair the function of the power tool. Have damaged parts repaired before using the power tool.** *Many accidents have their origin in power tools that have been maintained badly.*

f) Use the power tool, accessories, insert tools, etc. in accordance with these instructions and in a fashion specified for this special tool type. Take the working conditions and the activity to be carried out into consideration. The use of power tools for purposes other than the intended ones can lead to dangerous situations.

g) Keep the handles and grip surfaces dry, clean and free of oil and grease. Slippery handles and grip surfaces hamper safe operation and control of the electric tool in unforeseen situations.

## 5. Service


a) Only have your power tool repaired by a qualified specialist and only use original spare parts. This ensures that the tool safety is maintained.

b) If the supply cord is damaged, it must be replaced by the manufacturer or its service agent or a similarly qualified person in order to avoid a safety hazard.


## 2 SAFETY REGULATIONS FOR AIRLESS SPRAYING

All local safety regulations in force must be observed. The following safety regulations are to be observed in order to ensure safe handling of the Airless high-pressure spraying unit.


### 2.1 FLASH POINT

	<p>Only spray coating materials with a flash point of 21 °C or higher. The flash point is the lowest temperature at which vapors develop from the coating material. These vapors are sufficient to form an inflammable mixture over the air above the coating material.</p>
--	---



### 2.2 EXPLOSION PROTECTION

	<p>Do not use the unit in work places which are covered by the explosion protection regulations. The unit is not designed to be explosion protected. Do not operate the device in explosive areas (zone 0, 1 and 2). Explosive areas are, for example, places where paints are stored and locations in direct proximity to the object being sprayed. Keep the device at least 3 m from the object you are spraying.</p>
--	---

### 2.3 DANGER OF EXPLOSION AND FIRE FROM SOURCES OF IGNITION DURING SPRAYING WORK

	<p>There must be no sources of ignition such as, for example, open fires, lit cigarettes, cigars or tobacco pipes, sparks, glowing wires, hot surfaces, etc. in the vicinity.</p>
---	---


### 2.4 DANGER OF INJURY FROM THE SPRAY JET

	<p>Attention, danger of injury by injection! Never point the spray gun at yourself, other persons or animals. Only use the spray gun with spray jet touch protection. The spray jet must not come into contact with any part of the body. In working with Airless spray guns, the high spray pressures arising can cause very dangerous injuries. If contact is made with the spray jet, coating material can be injected into the skin. Do not treat a spray injury as a harmless cut. In case of injury to the skin by coating material or solvents, consult a doctor for quick and correct treatment. Inform the doctor about the coating material or solvent used.</p>
	

### 2.5 SECURE SPRAY GUN AGAINST UNINTENDED OPERATION

Always secure the spray gun when mounting or dismounting the tip and in case of interruption to work.

### 2.6 RECOIL OF SPRAY GUN

	<p>When using a high operating pressure, pulling the trigger guard can effect a recoil force up to 15 N. If you are not prepared for this, your hand can be thrust backwards or your balance lost. This can lead to injury.</p>
---	---

### 2.7 BREATHING EQUIPMENT AS PROTECTION AGAINST SOLVENT VAPORS

Wear breathing equipment during spraying work.


## 2.8 PREVENTION OF OCCUPATIONAL ILLNESSES

Wear safety goggles.  
Wear hearing protection.  
Protective clothing, gloves and possibly skin protection cream are necessary for the protection of the skin.  
Observe the regulations of the manufacturer concerning coating materials, solvents and cleaning agents in preparation, processing and cleaning units.


## 2.9 MAX. OPERATING PRESSURE

The permissible operating pressure for the spray gun, spray gun accessories, unit accessories and high-pressure hose must not fall short of the maximum operating pressure of 20.7 MPa (207 bar).


## 2.10 HIGH-PRESSURE HOSE

 <b>Danger</b>	<p>Attention, danger of injury by injection! Wear and tear and kinks as well as usage that is not appropriate to the purpose of the device can cause leakages to form in the high-pressure hose. Liquid can be injected into the skin through a leakage.</p>
---	--

- High-pressure hoses must be checked thoroughly before they are used.
- Replace any damaged high-pressure hose immediately.
- Never repair defective high-pressure hoses yourself!
- Avoid sharp bends and folds: the smallest bending radius is about 20 cm.
- Do **not drive over** the high-pressure hose. Protect against sharp objects and edges.
- Never pull on the high-pressure hose to move the device.
- Do not twist the high-pressure hose.
- Do not put the high-pressure hose into solvents. Use only a wet cloth to wipe down the outside of the hose.
- Lay the high-pressure hose in such a way as to ensure that it cannot be tripped over.

	<p>Only use WAGNER original-high-pressure hoses in order to ensure functionality, safety and durability.</p>
---	--

## 2.11 ELECTROSTATIC CHARGING (FORMATION OF SPARKS OR FLAMES)

 <b>Danger</b>	<p>Electrostatic charging of the unit may occur during spraying due to the flow speed of the coating material. These can cause sparks and flames upon discharge. The unit must therefore always be earthed via the electrical system. The unit must be connected to an appropriately-grounded safety outlet.</p>
--	--

An electrostatic charging of spray guns and the high-pressure hose is discharged through the high-pressure hose. For this reason the electric resistance between the connections of the high-pressure hose must be equal to or lower than 1 MΩ.

## 2.12 USE OF UNITS ON BUILDING SITES AND WORKSHOPS

The unit may only be connected to the mains network via a special feeding point with a residual-current device with INF ≤ 30 mA. An upstream circuit breaker (fuse) with 16 A (B or C characteristics) is required.

## 2.13 VENTILATION WHEN SPRAYING IN ROOMS

Adequate ventilation to ensure removal of the solvent vapors has to be ensured.

## 2.14 SUCTION INSTALLATIONS

The are to be provided by the unit user in accordance with the corresponding local regulations.

## 2.15 EARTHING OF THE OBJECT

The object to be coated must be earthed. (Building walls are usually earthed naturally)



## 2.16 COATING MATERIAL

Caution against dangers that can arise from the sprayed substance and observe the text and information on the containers or the specifications given by the substance manufacturer.

Do not spray any liquid of unknown hazard potential.

## 2.17 CLEANING THE UNIT

When cleaning the gun, only rinse when the nozzle is removed and rinse at low pressure.

 <b>Danger</b>	<p>When cleaning the unit with solvents, the solvent should never be sprayed or pumped back into a container with a small opening (bunghole). An explosive gas/air mixture can arise. Only use an earthed container made from metal. To earth the gun, hold it firmly on the edge of the container.</p>
 <b>Danger</b>	<p>Danger of short-circuits caused by water ingress!          Never spray down the unit with high-pressure or high-pressure steam cleaners.</p>

## 2.18 WORK OR REPAIRS AT THE ELECTRICAL EQUIPMENT

These may only be carried out by a skilled electrician. No liability is assumed for incorrect installation. Unplug the power plug from the outlet before carrying out any repair work.

## 2.19 MAINTENANCE WORK AND BREAKS

Before carrying out any work on the device and during any work break, release the pressure in the spray gun and high-pressure hose. Secure the spray gun's trigger guard and switch off the device.

## 2.20 SETUP ON AN UNEVEN SURFACE

The front end must always point downwards in order to avoid sliding away.

If possible do not use the unit on an inclined surface since the unit tends to wander through the resulting vibrations.

## 2.21 OSCILLATION LEVEL

The specified oscillation level has been measured according to a standard test procedure and can be used to compare against electric tools. The oscillation level is also for determining an initial assessment of the vibrational strain.

**Attention!** The vibration emission value can differ from the specified value when the electric tool is actually in use, depending on how the electric tool is being used. It is necessary to specify safety measures to protect the operating personnel. These measures are based on an estimated shutdown during the actual conditions of use (all parts of the operating cycle are taken into consideration here, for example periods when the electric tool is switched off, and, when it is switched on but running without any load).

## 3 GENERAL VIEW OF APPLICATION

### 3.1 APPLICATION

The unit performance is conceived so that its use is possible on building sites for small- to middle-area dispersion work. The ProSpray 3.20 must only be used indoors.

The sprayer is able for all common varnishing jobs like doors, door frames, balustrades, furniture, woodencladding, fences, radiators (heating) and steel parts.

### 3.2 COATING MATERIALS

#### PROCESSIBLE COATING MATERIALS



Pay attention to the Airless quality of the coating materials to be processed.

Dilutable lacquers and paints or those containing solvents, two-component coating materials, dispersions, latex paints, release agents, oils, undercoats, primers, and fillers.

No other materials should be used for spraying without Wagner's approval.

#### FILTERING

Despite suction filter and insertion filter in the spray gun, filtering of the coating material is generally advisable.

Stir coating material before commencement of work.



Attention: Make sure, when stirring up with motor-driven agitators that no air bubbles are stirred in. Air bubbles disturb when spraying and can, in fact, lead to interruption of operation.

#### VISCOSITY

With this unit it is possible to process highly viscous coating materials of up to around 20.000 MPa-s.

If highly viscous coating materials cannot be taken in by suction, they must be diluted in accordance with the manufacturer's instructions.

#### TWO-COMPONENT COATING MATERIAL

The appropriate processing time must be adhered to exactly. Within this time rinse through and clean the unit meticulously with the appropriate cleaning materials.

#### COATING MATERIALS WITH SHARP-EDGED ADDITIONAL MATERIALS

These have a strong wear and tear effect on valves, high-pressure hose, spray gun and tip. The durability of these parts can be reduced appreciably through this.



## 4 DESCRIPTION OF UNIT

### 4.1 AIRLESS PROCESS

The main areas of application are thick layers of highly viscous coating material for large areas and a high consumption of material.

A piston pump takes in the coating material by suction and conveys it to the tip. Pressed through the tip at a pressure of up to a maximum of 207 bar (20.7 MPa), the coating material is atomised. This high pressure has the effect of micro fine atomisation of the coating material.

As no air is used in this process, it is described as an AIRLESS process.

This method of spraying has the advantages of finest atomisation, cloudless operation and a smooth, bubble-free surface. As well as these, the advantages of the speed of work and convenience must be mentioned.

### 4.2 FUNCTIONING OF THE UNIT

In the following there is a short description of the technical construction for better understanding of the function.

Wagner ProSpray 3.20 units are electrically driven high-pressure spraying units.

A gear unit transfers the driving force to a crankshaft. The crankshaft moves the pistons of the material feed pump up and down.



The inlet valve is opened automatically by the upwards movement of the piston. The outlet valve is opened when the piston moves downward.

The coating material flows under high pressure through the high-pressure hose to the spray gun. When the coating material exits from the tip it atomizes.

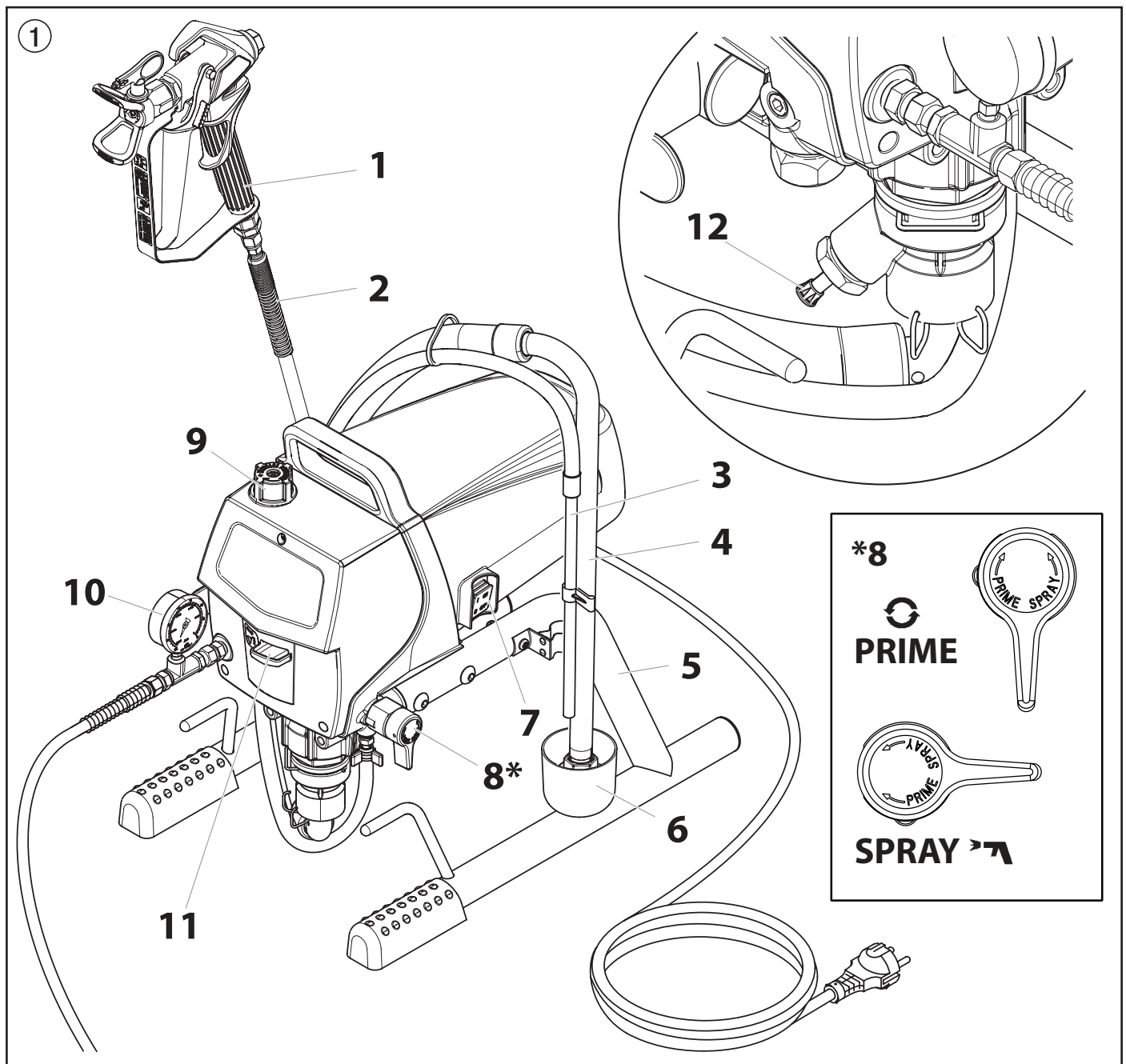
The pressure control knob controls the volume and the operating pressure of the coating material.



**4.3 LEGEND FOR EXPLANATORY DIAGRAM PROSPRAY 3.20**

- |   |   |
|---|---|
| <ul style="list-style-type: none"> <li>1. Spray gun</li> <li>2. High-pressure hose</li> <li>3. Return hose</li> <li>4. Suction hose</li> <li>5. Frame</li> <li>6. Drip cup</li> <li>7. ON/OFF switch</li> </ul> | <ul style="list-style-type: none"> <li>8. Relief valve<br/>Lever position vertical – PRIME (  circulation)</li> <li>Lever position horizontal – SPRAY (  )</li> <li>9. Pressure control knob</li> <li>10. Pressure gauge</li> <li>11. Oil cup for EasyGlide (EasyGlide prevents increased wear of the packings)</li> <li>12. Pusher stem</li> </ul> |
|---|---|

**4.4 EXPLANATORY DIAGRAM PROSPRAY 3.20**



## 4.5 TECHNICAL DATA

<b>Voltage</b>	
	100-110 VAC~, 50/60 Hz or 220-240 VAC~, 50/60 Hz
<b>Max. current consumption</b>	
100 VAC~	10.5 A
110 VAC~	12.0 A
220-240 VAC~	5.3 A
<b>Rated input of device</b>	
100-110 VAC~	1000 W
220-240 VAC~	1000 W
<b>Power Cord</b>	
	6 m long, 3 x 1.5 mm <sup>2</sup>
<b>Max. operating pressure</b>	
	207 bar (20.7 MPa)
<b>Max. volume flow</b>	
	2.0 l/min
<b>Volume flow at 12 MPa (120 bar) with water</b>	
	1.60 l/min
<b>Max tip size</b>	
	0.021 inch – 0.53 mm
<b>Max. temperature of the coating material</b>	
	43°C
<b>Max viscosity</b>	
	20.000 MPa·s
<b>Weight</b>	
	13.6 kg
<b>Special high-pressure hose</b>	
	6,35 mm, 15 m - 1/4" - 18 NPSM
<b>Dimensions (L X W X H)</b>	
	441 x 324 x 415 mm
<b>Sound pressure level*</b>	
	80 dB (A); Uncertainty K = 4 dB
<b>Sound pressure output*</b>	
	93 dB (A); Uncertainty K = 4 dB
<b>Oscillation level*</b>	
	< 2.5 m/s <sup>2</sup> ; Uncertainty K = 1.5 m/s <sup>2</sup>

\* Measured in accordance with EN 62841-1

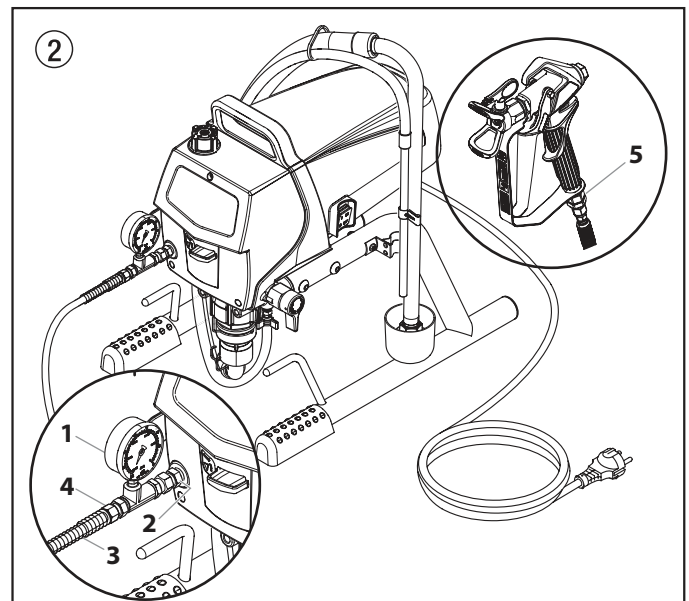
## 4.6 TRANSPORTATION IN VEHICLE

Secure the unit with a suitable fastening.

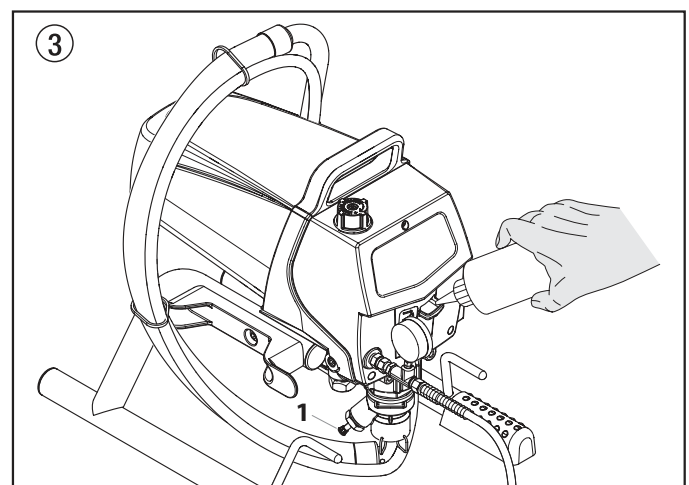
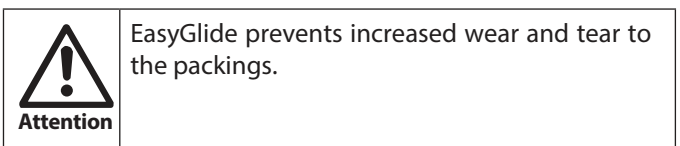
## 5 STARTING OPERATION

### 5.1 HIGH-PRESSURE HOSE, SPRAY GUN AND SEPARATING OIL

1. If equipped, screw the pressure gauge (1) to the coating material outlet (Fig. 2, Item 2).
2. Screw the high-pressure hose (3) to the coating material outlet (Fig. 2, Item 4).
3. Screw the spray gun (5) with the selected tip onto the high-pressure hose.
4. Tighten the union nuts at the high-pressure hoses firmly so that coating material does not leak.



5. Fill the oil cup with EasyGlide (Fig. 3). Do not use too much EasyGlide, i.e. ensure that no EasyGlide drips into the coating material container.



6. Fully depress the pusher stem (Fig. 3, item 1) to make sure the inlet ball is free.

## 5.2 CONNECTION TO THE MAINS NETWORK



The unit must be connected to an appropriately-grounded safety outlet.

Before connecting the unit to the mains supply, ensure that the line voltage matches that specified on the unit's rating plate.

When connecting to the public low-voltage network, it is possible that approval of the network operator will be required. Check the regulations in force in your country and contact your network operator.

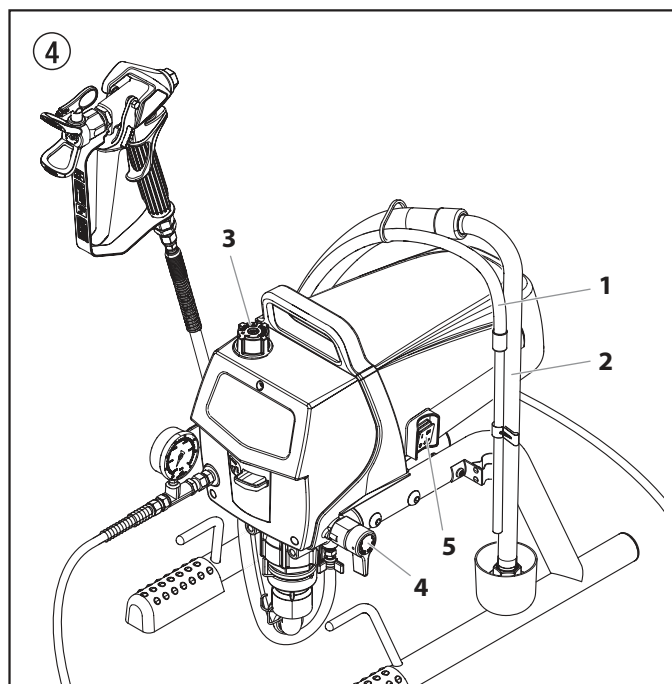
The connection must be equipped with a residual current protective device with  $INF \leq 30 \text{ mA}$ .



Wagner's accessories program also includes a mobile operator protection device for the electronic supply, which can also be used with other electronic equipment.

## 5.3 CLEANING PRESERVING AGENT WHEN STARTING-UP OF OPERATION INITIALLY

1. Immerse the suction tube (Fig. 4, Item 2) and return hose (1) into a container with a suitable cleaning agent.
2. Turn the pressure control knob counterclockwise (3) to minimum pressure.
3. Open the relief valve (4), valve position PRIME (↻ circulation).
4. Switch the unit (5) ON.
5. Wait until the cleaning agent exudes from the return hose.
6. Close the relief valve, valve position SPRAY (↗ spray).
7. Pull the trigger of the spray gun.
8. Spray the cleaning agent from the unit into an open collecting container.



## 5.4 TAKING THE UNIT INTO OPERATION WITH COATING MATERIAL

1. Immerse the suction tube (Fig. 4, Item 2) and return hose (1) into the coating material container.
2. Turn the pressure control knob counterclockwise (3) to minimum pressure.
3. Open the relief valve (4), valve position PRIME (↻ circulation).
4. Switch the unit (5) ON.
5. Wait until the coating material exudes from the return hose.
6. Close the relief valve, valve position SPRAY (↗ spray).
7. Trigger the spray gun several times and spray into a collecting container until the coating material exits the spray gun without interruption.
8. Increase the pressure by slowly turning up the pressure control knob.

Check the spray pattern and increase the pressure until the atomization is correct.

Always turn the pressure control knob to the lowest setting with good atomization.

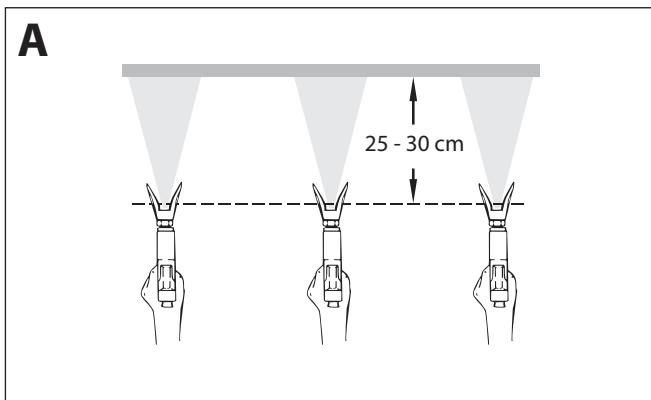
9. The unit is ready to spray.

## 6 SPRAYING

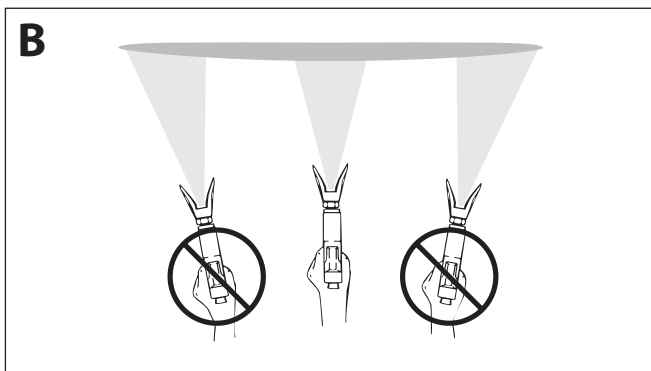


Injection hazard. Do not spray without the tip guard in place. NEVER trigger the gun unless the tip is completely turned to either the spray or the unclog position. ALWAYS engage the gun trigger lock before removing, replacing or cleaning tip.

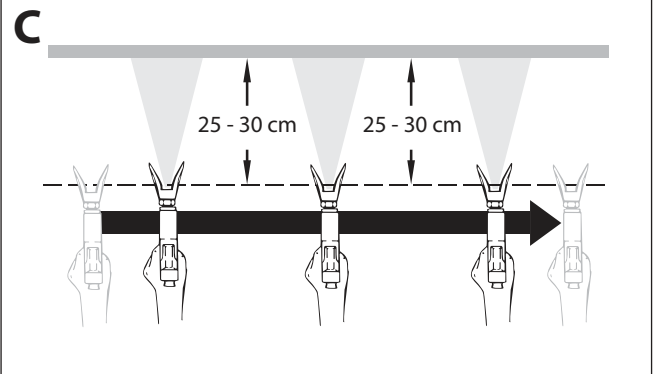
- A)** The key to a good paint job is an even coating over the entire surface. Keep your arm moving at a constant speed and keep the spray gun at a constant distance from the surface. The best spraying distance is 10-12 inches (25 to 30 cm) between the spray tip and the surface.



- B)** Keep the spray gun at right angles to the surface. This means moving your entire arm back and forth rather than just flexing your wrist. Keep the spray gun perpendicular to the surface, otherwise one end of the pattern will be thicker than the other.





- C)** Trigger gun after starting the stroke. Release the trigger before ending the stroke. The spray gun should be moving when the trigger is pulled and released. Overlap each stroke by about 30%. This will ensure an even coating.



If very sharp edges result or if there are streaks in the spray jet – increase the operating pressure or dilute the coating material.

## 7 HANDLING THE HIGH-PRESSURE HOSE




	The unit is equipped with a high-pressure hose specially suited for piston pumps.
	<p>Danger of injury through leaking high-pressure hose. Replace any damaged high-pressure hose immediately.</p> <p>Never repair defective high-pressure hoses yourself!</p>

The high-pressure hose is to be handled with care. Avoid sharp bends and folds: the smallest bending radius is about 8" (20 cm).

Do not drive over the high-pressure hose. Protect against sharp objects and edges.


Never pull on the high-pressure hose to move the device.

Make sure that the high-pressure hose cannot twist. This can be avoided by using a Wagner spray gun with a swivel joint and a hose system.




	When using the high-pressure hose while working on scaffolding, it is best to always guide the hose along the outside of the scaffolding.
	The risk of damage rises with the age of the high-pressure hose. Wagner recommends replacing high-pressure hoses after 6 years.
	Use only Wagner original-high-pressure hoses in order to ensure functionality, safety and durability.


## 8 INTERRUPTION OF WORK



1. Open the relief valve, valve position PRIME (🔄 circulation).
2. Switch the unit OFF.
3. Turn the pressure control knob counterclockwise to minimum pressure.
4. Pull the trigger of the spray gun in order to release the pressure from the high-pressure hose and spray gun.
5. Secure the spray gun, refer to the operating manual of the spray gun.
6. If a standard tip is to be cleaned, see Section 13.2.  
If a non-standard tip is installed, proceed according to the relevant operating manual.
7. Depending on the model, leave the suction tube or the suction hose and return hose immersed in the coating material or swivel or immerse it into a corresponding cleaning agent.



 <b>Attention</b>	If fast-drying or two-component coating material is used, ensure that the unit is rinsed with a suitable cleaning agent within the processing time.
--	---

## 9 CLEANING THE UNIT (SHUTTING DOWN)



	A clean state is the best method of ensuring operation without problems. After you have finished spraying, clean the unit. Under no circumstances may any remaining coating material dry and harden in the unit.
	The cleaning agent used for cleaning (only with an ignition point above 21 °C) must be suitable for the coating material used.
	<ul style="list-style-type: none"> <li>• <b>Secure the spray gun</b>, refer to the operating manual of the spray gun.</li> <li>• Clean and remove tip.</li> <li>• For a standard tip, refer to Section 12.2.</li> <li>• If a non-standard tip is installed, proceed according to the relevant operating manual.</li> </ul>

1. Remove suction hose from the coating material.
2. Close the relief valve, valve position SPRAY ( spray).
3. Switch the unit ON.

 Attention	The container must be earthed in case of coating materials which contain solvents.
	Caution! Do not pump or spray into a container with a small opening (bunghole)!


4. Pull the trigger of the spray gun in order to pump the remaining coating material from the suction hose, high-pressure hose and the spray gun into an open container.
5. Immerse suction hose with return hose into a container with a suitable cleaning agent.
6. Turn the pressure control knob counterclockwise to minimum pressure.
7. Open the relief valve, valve position PRIME ( circulation).
8. Pump a suitable cleaning agent in the circuit for a few minutes.
9. Close the relief valve, valve position SPRAY ( spray).
10. Pull the trigger of the spray gun.
11. Pump the remaining cleaning agent into an open container until the unit is empty.
12. Switch the unit OFF.

### 9.1 CLEANING UNIT FROM OUTSIDE

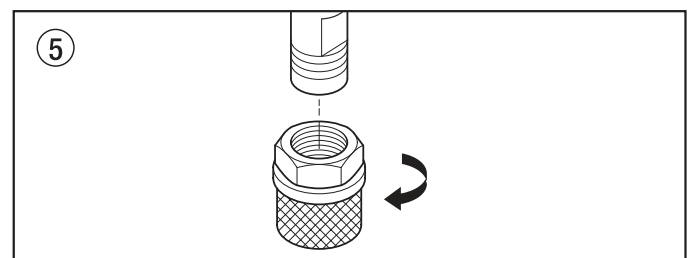
	First of all pull out mains plug from socket.
 Attention	<p>Danger of short circuit through penetrating water!</p> <p>Never spray down the unit with high-pressure or high-pressure steam cleaners.</p> <p>Do not put the high-pressure hose into solvents. Use only a wet cloth to wipe down the outside of the hose.</p>

Wipe down unit externally with a cloth which has been immersed in a suitable cleaning agent.

### 9.2 SUCTION FILTER

	A clean suction filter always guarantees maximum feed quantity, constant spraying pressure and problem-free functioning of the unit.
---	--


1. Screw off the filter (Fig. 5) from suction tube.
  2. Clean or replace the filter.
- Carry out cleaning with a hard brush and an appropriate cleaning agent.



### 9.3 CLEANING THE HIGH-PRESSURE FILTER



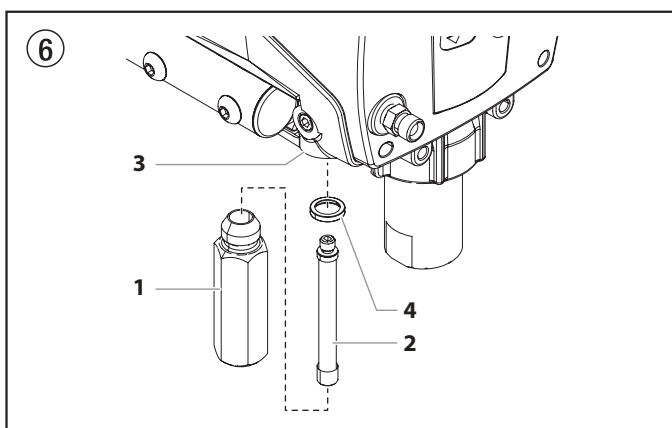
A high-pressure filter is available as an optional accessory that can be ordered separately. Clean the filter cartridge regularly. A soiled or clogged high-pressure filter can cause a poor spray pattern or a clogged tip.

1. Turn the pressure control knob counterclockwise to minimum pressure.
2. Open the relief valve, valve position PRIME (circulation) .
3. Switch the unit OFF.



Unplug the power plug from the outlet.

4. Unscrew the filter housing (Fig. 6, Item 1). with a strap wrench.
5. Turning clockwise, unscrew the filter (2) from the pump manifold (3).
6. Clean all the parts with the corresponding cleaning agent. If necessary, replace the filter cartridge.
7. Check the O-ring (4), replace it if necessary.
8. Turning counterclockwise, screw the new or cleaned filter into the pump manifold.
9. Screw in filter housing (1) and tighten it as far as possible with the strap wrench.



### 9.4 CLEANING AIRLESS SPRAY GUN

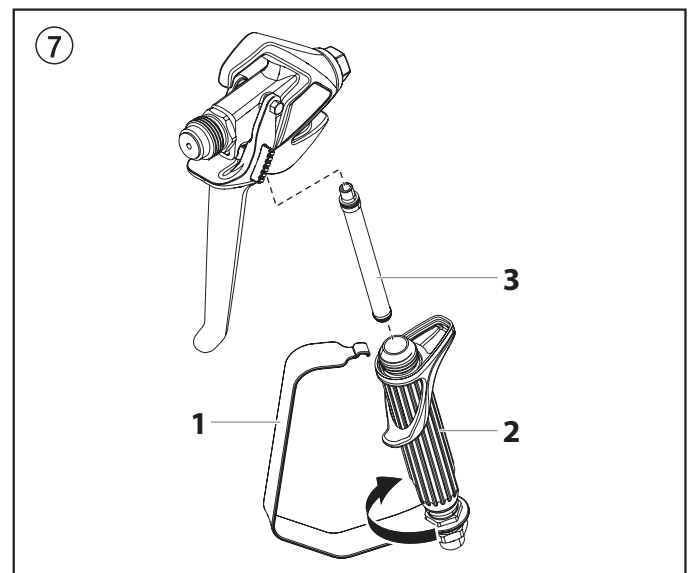


Clean the spray gun after each use.

1. Rinse airless spray gun with an appropriate cleaning agent.
2. Clean tip thoroughly with appropriate cleaning agent so that no coating material residue remains.
3. Thoroughly clean the outside of the airless spray gun.




#### INTAKE FILTER IN AIRLESS SPRAY GUN (FIG. 7)

1. Unclip the top of the trigger guard (1) from the gun head.
2. Using the bottom of the trigger guard as a wrench, loosen and remove the handle assembly (2) from the gun head.
3. Pull the old filter (3) out of the gun head. Clean or replace.
4. Slide the new filter, tapered end first, into the gun head.
5. Thread the handle assembly into the gun head. Tighten with the trigger wrench.
6. Snap the trigger guard back onto the gun head.





## 10 REMEDY IN CASE OF FAULTS

Type of malfunction	Possible cause	Measures for eliminating the malfunction
A. Unit does not start	<ol style="list-style-type: none"> <li>1. No voltage applied.</li> <li>2. Pressure setting too low.</li> <li>3. ON/OFF switch defective.</li> </ol>	<ol style="list-style-type: none"> <li>1. Check voltage supply.</li> <li>2. Turn up pressure control knob.</li> <li>3. Replace.</li> </ol>
B. Unit does not draw in material	<ol style="list-style-type: none"> <li>1. Relief valve is set to SPRAY (  spray).</li> <li>2. Filter projects over the fluid level and sucks air.</li> <li>3. Filter clogged.</li> <li>4. Suction hose/suction tube is loose, i.e. the unit is sucking in outside air.</li> </ol>	<ol style="list-style-type: none"> <li>1. Set relief valve to PRIME (  circulation).</li> <li>2. Refill the coating material.</li> <li>3. Clean or replace the filter.</li> <li>4. Clean connecting points. Replace O-rings if necessary. Secure suction hose with retaining clip.</li> </ol>
C. Unit draws in material, but the pressure does not build up	<ol style="list-style-type: none"> <li>1. Tip heavily worn.</li> <li>2. Tip too large.</li> <li>3. Pressure setting too low.</li> <li>4. Filter clogged.</li> <li>5. Coating material flows through the return hose when the relief valve is in the SPRAY (  spray) position.</li> <li>6. Packings sticky or worn.</li> <li>7. Valve balls worn.</li> <li>8. Valve seats worn.</li> </ol>	<ol style="list-style-type: none"> <li>1. Replace</li> <li>2. Replace tip.</li> <li>3. Turn pressure control knob clockwise to increase.</li> <li>4. Clean or replace the filter.</li> <li>5. Remove and clean or replace relief valve.</li> <li>6. Remove and clean or replace packings.</li> <li>7. Remove and replace valve balls.</li> <li>8. Remove and replace valve seats.</li> </ol>
D. Coating material exits at the top of the fluid section	<ol style="list-style-type: none"> <li>1. Upper packing is worn.</li> <li>2. Piston is worn.</li> </ol>	<ol style="list-style-type: none"> <li>1. Remove and replace packing.</li> <li>2. Remove and replace piston.</li> </ol>
E. Increased pulsation at the spray gun	<ol style="list-style-type: none"> <li>1. Incorrect high-pressure hose type.</li> <li>2. Tip worn or too large.</li> <li>3. Pressure too high.</li> </ol>	<ol style="list-style-type: none"> <li>1. Only use WAGNER original-high-pressure hoses in order to ensure functionality, safety and durability.</li> <li>2. Replace tip.</li> <li>3. Turn pressure control knob to a lower number.</li> </ol>
F. Poor spray pattern	<ol style="list-style-type: none"> <li>1. Tip is too large for the coating material which is to be sprayed.</li> <li>2. Pressure setting incorrect.</li> <li>3. Volume too low.</li> <li>4. Coating material viscosity too high.</li> </ol>	<ol style="list-style-type: none"> <li>1. Replace tip.</li> <li>2. Turn pressure control knob until a satisfactory spraying pattern is achieved.</li> <li>3. Clean or replace all filters.</li> <li>4. Thin out according to the manufacturer's instructions.</li> </ol>
G. Unit loses power	<ol style="list-style-type: none"> <li>1. Pressure setting too low.</li> </ol>	<ol style="list-style-type: none"> <li>1. Turn pressure control knob clockwise to increase.</li> </ol>
H. Pump over-pressurizes and will not shut off.	<ol style="list-style-type: none"> <li>1. Pressure switch defective.</li> <li>2. Transducer defective.</li> </ol>	<ol style="list-style-type: none"> <li>1. Take unit to a Wagner authorized service center.</li> <li>2. Take unit to a Wagner authorized service center.</li> </ol>

## 11 SERVICING

### 11.1 GENERAL SERVICING

Servicing of the unit should be carried out once annually by the WAGNER service.

1. Check high-pressure hoses, device connecting line and plug for damage.
2. Check the inlet valve, outlet valve and filter for wear.

### 11.2 HIGH-PRESSURE HOSE

Inspect the high-pressure hose visually for any notches or bulges, in particular at the transition in the fittings. It must be possible to turn the union nuts freely.



The risk of damage rises with the age of the high-pressure hose. Wagner recommends replacing high-pressure hoses after 6 years.

## 12 REPAIRS AT THE UNIT



Switch the unit OFF.

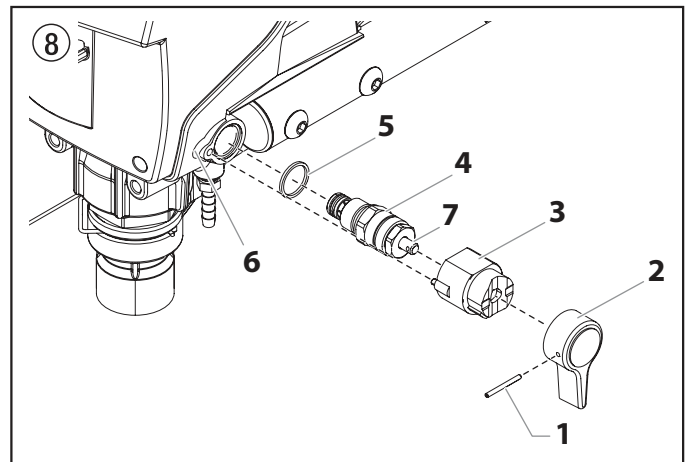
Before all repair work: Unplug the power plug from the outlet.

### 12.1 RELIEF VALVE



Attention

The valve housing (4) should not be repaired. If worn, it should always be replaced with a new one.



1. Use a drift punch of 2 mm to remove the grooved pin (Fig. 8, Item 1) from the relief valve handle (2).
2. Remove the relief valve handle (2) and cam base (3).
3. Using a wrench, remove the valve housing (4) from the pump manifold (6).
4. Ensure that the seal (5) is seated correctly, then screw the new valve housing (4) completely into the pump manifold (6). Tighten securely with a wrench.
5. Align the cam base (3) with the hole in the pump manifold (6). Lubricate the cam base with grease and slide on the cam base.
6. Bring the hole in the valve shaft (7) and in the relief valve handle (2) into alignment.
7. Insert the grooved pin (1) to secure the relief valve handle in position.

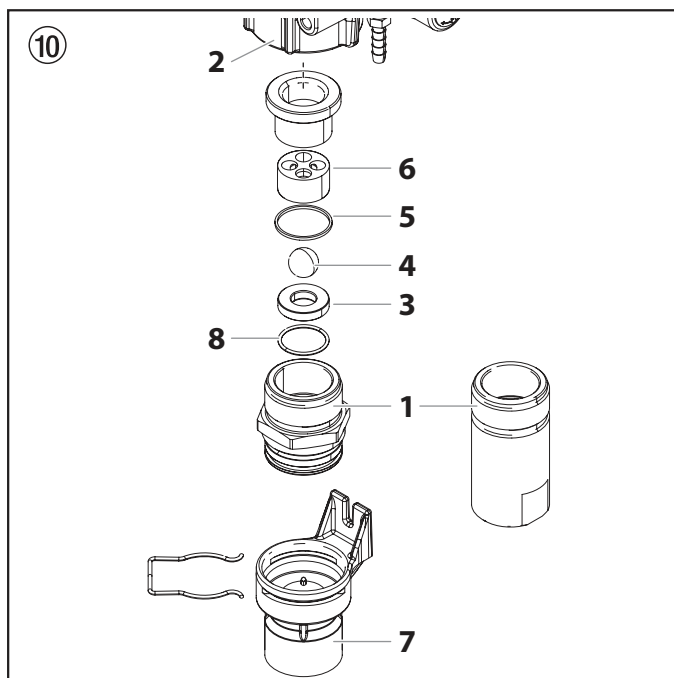
## 12.2 INLET AND OUTLET VALVE

1. Remove the screw that secures the pressure control knob. Remove the knob.  
Remove the three screws in the front cover and then remove the front cover.



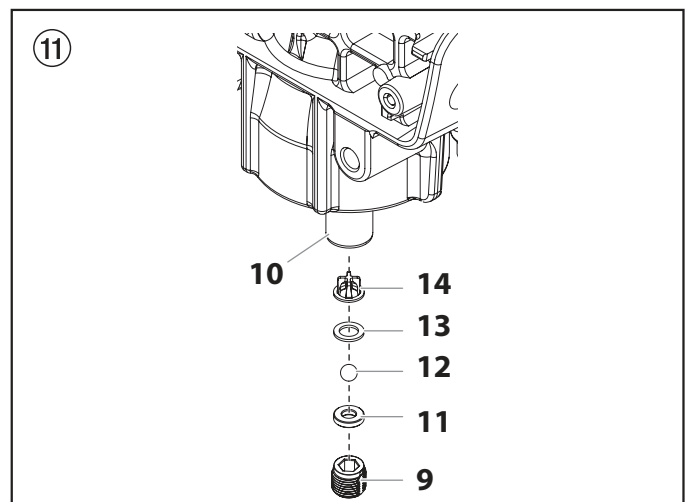
Danger of crushing - do not reach with the fingers or tool between the moving parts.

2. Switch the unit ON and then OFF so that the piston rod is positioned in the lower stroke position.
3. Unplug the power plug from the outlet.
4. Remove the retaining clip from the connecting bend at the suction hose and pull off the suction hose.
5. Screw off the return hose.
6. Swivel the unit 90° to the rear in order to work more easily on the material feed pump.
7. Remove the pusher stem clip and slide the pusher housing (7) from the inlet valve housing (1).

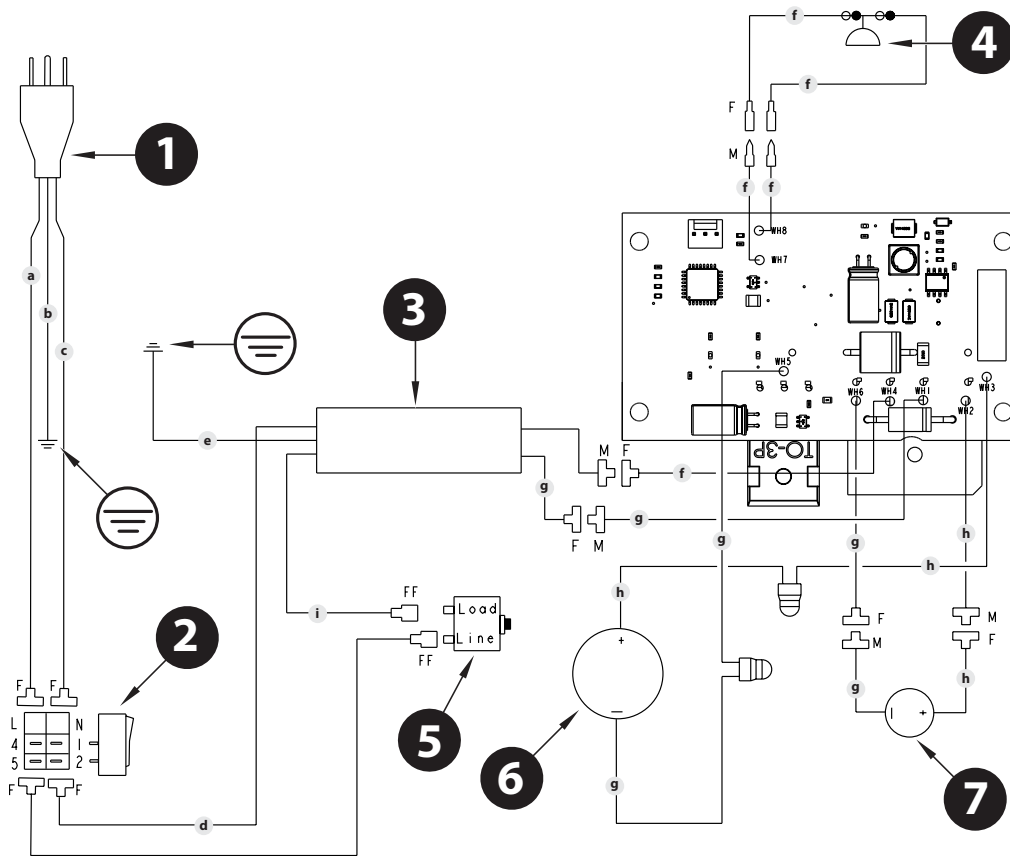


8. Unscrew the inlet valve housing (Fig. 10, Item 1) from the pump manifold.
9. Remove the lower ball guide (6), lower seal (5), inlet valve ball (4), inlet valve seat (3) and O-ring (8).
10. Clean all the parts with the corresponding cleaning agent.  
Check the inlet valve housing (1), inlet valve seat (3) and inlet valve ball (4) for wear and replace the parts if necessary.
11. Unscrew outlet valve housing (Fig. 11, Item 9) from the piston (10) with adjusting wrench.

12. Remove the upper ball guide (14), crush washer (13), outlet valve ball (12), and outlet valve seat (11).
13. Clean all the parts with the corresponding cleaning agent. Check outlet valve housing (9), outlet valve seat (11), outlet valve ball (12) and upper ball guide (14) for wear and replace parts if necessary.
14. Carry out installation in the reverse order. Make sure the outlet valve retainer (9) is reinstalled with the non-threaded "lip" facing up into the piston. Lubricate O-ring (Fig. 10, Item 8) with machine grease and ensure proper seating in the inlet valve housing (Fig. 10, Item 1).



12.3 PROSPRAY 3.20 CONNECTION DIAGRAM

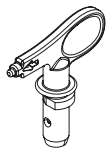


Pos.	Description
1	Power cord
2	Power switch
3*	EMI filter
4	Pressure switch
5	Circuit breaker
6	Motor
7	Capacitors

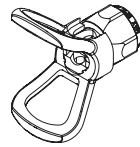
Pos.	Description
a	Black / brown
b	Green
c	White / blue
d	Blue
e	Green / yellow
f	White
g	Black
h	Red
i	Brown



**13.4 AIRLESS TIP TABLE**




**Wagner**  
**TradeTip 3 tip**  
up to 270 bar  
(27 MPa)



without tip  
F thread (11/16 - 16 UN)  
for Wagner spray guns  
**Order no. 0289391**

without tip  
G thread (7/8 - 14 UN)  
for Graco/Wagner spray guns  
**Order no. 0289390**

 All of the tips in the table below are supplied together with the appropriate gun filter.

Application	Tip marking	Spray angle	Bore inch / mm	Spraying width mm 1)	Gun filter	Order no.
<b>Water-thinnable and solvent-based paints and varnishes, oils, separating agents</b>	107	10°	0.007 / 0.18	100	red	0553107
	207	20°	0.007 / 0.18	120	red	0553207
	307	30°	0.007 / 0.18	150	red	0553307
	407	40°	0.007 / 0.18	190	red	0553407
	109	10°	0.009 / 0.23	100	red	0553109
	209	20°	0.009 / 0.23	120	red	0553209
	309	30°	0.009 / 0.23	150	red	0553309
	409	40°	0.009 / 0.23	190	red	0553409
	509	50°	0.009 / 0.23	225	red	0553509
	609	60°	0.009 / 0.23	270	red	0553609
<b>Synthetic-resin paints PVC paints</b>	111	10°	0.011 / 0.28	100	red	0553111
	211	20°	0.011 / 0.28	120	red	0553211
	311	30°	0.011 / 0.28	150	red	0553311
	411	40°	0.011 / 0.28	190	red	0553411
	511	50°	0.011 / 0.28	225	red	0553511
	611	60°	0.011 / 0.28	270	red	0553611
<b>Paints, primers Fillers</b>	113	10°	0.013 / 0.33	100	red	0553113
	213	20°	0.013 / 0.33	120	red	0553213
	313	30°	0.013 / 0.33	150	red	0553313
	413	40°	0.013 / 0.33	190	red	0553413
	513	50°	0.013 / 0.33	225	red	0553513
	613	60°	0.013 / 0.33	270	red	0553613
	813	80°	0.013 / 0.33	330	red	0553813
<b>Fillers Rust protection paints</b>	115	10°	0.015 / 0.38	100	yellow	0553115
	215	20°	0.015 / 0.38	120	yellow	0553215
	315	30°	0.015 / 0.38	150	yellow	0553315
	415	40°	0.015 / 0.38	190	yellow	0553415
	515	50°	0.015 / 0.38	225	yellow	0553515
	615	60°	0.015 / 0.38	270	yellow	0553615
	715	70°	0.015 / 0.38	300	yellow	0553715
	815	80°	0.015 / 0.38	330	yellow	0553815
<b>Rust protection paints Latex paints Dispersions</b>	117	10°	0.017 / 0.43	100	white	0553117
	217	20°	0.017 / 0.43	120	white	0553217
	317	30°	0.017 / 0.43	150	white	0553317
	417	40°	0.017 / 0.43	190	white	0553417
	517	50°	0.017 / 0.43	225	white	0553517
	617	60°	0.017 / 0.43	270	white	0553617
	717	70°	0.017 / 0.43	300	white	0553717
	817	80°	0.017 / 0.43	330	white	0553817
<b>Rust protection paints Latex paints Dispersions</b>	219	20°	0.019 / 0.48	120	white	0553219
	319	30°	0.019 / 0.48	150	white	0553319
	419	40°	0.019 / 0.48	190	white	0553419
	519	50°	0.019 / 0.48	225	white	0553519
	619	60°	0.019 / 0.48	270	white	0553619
	719	70°	0.019 / 0.48	300	white	0553719
	819	80°	0.019 / 0.48	330	white	0553819
	919	90°	0.019 / 0.48	385	white	0553919

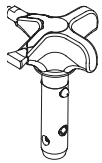
1) Spray width at about 30 cm to the object and 100 bar (10 MPa) pressure with synthetic-resin paint 20 DIN seconds.

Application	Tip marking	Spray angle	Bore inch / mm	Spraying width mm 1)	Gun filter	Order no.
<b>Flame retardant</b>	221	20°	0.021 / 0.53	120	white	0553221
	321	30°	0.021 / 0.53	150	white	0553321
	421	40°	0.021 / 0.53	190	white	0553421
	521	50°	0.021 / 0.53	225	white	0553521
	621	60°	0.021 / 0.53	270	white	0553621
	721	70°	0.021 / 0.53	300	white	0553721
	821	80°	0.021 / 0.53	330	white	0553821
	<b>Roof coatings</b>	223	20°	0.023 / 0.58	120	white
323		30°	0.023 / 0.58	150	white	0553323
423		40°	0.023 / 0.58	190	white	0553423
523		50°	0.023 / 0.58	225	white	0553523
623		60°	0.023 / 0.58	270	white	0553623
723		70°	0.023 / 0.58	300	white	0553723
823		80°	0.023 / 0.58	330	white	0553823
<b>Thick-film materials, Corrosion protection Spray filler</b>		225	20°	0.025 / 0.64	120	white
	325	30°	0.025 / 0.64	150	white	0553325
	425	40°	0.025 / 0.64	190	white	0553425
	525	50°	0.025 / 0.64	225	white	0553525
	625	60°	0.025 / 0.64	270	white	0553625
	725	70°	0.025 / 0.64	300	white	0553725
	825	80°	0.025 / 0.64	330	white	0553825
	227	20°	0.027 / 0.69	120	white	0553227
	327	30°	0.027 / 0.69	150	white	0553327
	427	40°	0.027 / 0.69	190	white	0553427
	527	50°	0.027 / 0.69	225	white	0553527
	627	60°	0.027 / 0.69	270	white	0553627
	827	80°	0.027 / 0.69	330	white	0553827
	229	20°	0.029 / 0.75	120	white	0553229
	329	30°	0.029 / 0.75	150	white	0553329
	429	40°	0.029 / 0.75	190	white	0553429
	529	50°	0.029 / 0.75	225	white	0553529
	629	60°	0.029 / 0.75	270	white	0553629
	231	20°	0.031 / 0.79	120	white	0553231
	331	30°	0.031 / 0.79	150	white	0553331
	431	40°	0.031 / 0.79	190	white	0553431
	531	50°	0.031 / 0.79	225	white	0553531
	631	60°	0.031 / 0.79	270	white	0553631
	731	70°	0.031 / 0.79	300	white	0553731
	831	80°	0.031 / 0.79	330	white	0553831
	233	20°	0.033 / 0.83	120	white	0553233
	333	30°	0.033 / 0.83	150	white	0553333
	433	40°	0.033 / 0.83	190	white	0553433
	533	50°	0.033 / 0.83	225	white	0553533
	633	60°	0.033 / 0.83	270	white	0553633
	235	20°	0.035 / 0.90	120	white	0553235
	335	30°	0.035 / 0.90	150	white	0553335
	435	40°	0.035 / 0.90	190	white	0553435
	535	50°	0.035 / 0.90	225	white	0553535
	635	60°	0.035 / 0.90	270	white	0553635
	735	70°	0.035 / 0.90	300	white	0553735
	439	40°	0.039 / 0.99	190	white	0553439
	539	50°	0.039 / 0.99	225	white	0553539
	639	60°	0.039 / 0.99	270	white	0553639
	<b>Heavy duty applications</b>	243	20°	0.043 / 1.10	120	green
443		40°	0.043 / 1.10	190	green	0553443
543		50°	0.043 / 1.10	225	green	0553543
643		60°	0.043 / 1.10	270	green	0553643
445		40°	0.045 / 1.14	190	green	0553445
545		50°	0.045 / 1.14	225	green	0553545
645		60°	0.045 / 1.14	270	green	0553645
451		40°	0.051 / 1.30	190	green	0553451
551		50°	0.051 / 1.30	225	green	0553551
651		60°	0.051 / 1.30	270	green	0553651
252		20°	0.052 / 1.32	120	green	0553252
455		40°	0.055 / 1.40	190	green	0553455
555		50°	0.055 / 1.40	225	green	0553555
655		60°	0.055 / 1.40	270	green	0553655
261		20°	0.061 / 1.55	120	green	0553261
461		40°	0.061 / 1.55	190	green	0553461
561		50°	0.061 / 1.55	225	green	0553561
661		60°	0.061 / 1.55	270	green	0553661
263		20°	0.063 / 1.60	120	green	0553263
463		40°	0.063 / 1.60	190	green	0553463
565		50°	0.065 / 1.65	225	green	0553565
665		60°	0.065 / 1.65	270	green	0553665
267		20°	0.067 / 1.70	120	green	0553267
467		40°	0.067 / 1.70	190	green	0553467

1) Spray width at about 30 cm to the object and 100 bar (10 MPa) pressure with synthetic-resin paint 20 DIN seconds.



### 13.5 2SPEED TIP TABLE



The innovative changeover nozzle from WAGNER combines two nozzle cores into one nozzle.



2 Speed Tip holder  
**Order no. 0271065**

#### Tip table

Object size	Painting material		
	Lacquer (L)	Emulsion (D)	Filler (S)
Small		D5 Nozzles: 111 / 415 <b>Order no. 0271 062</b>	S5 Nozzles: 225 / 629 <b>Order no. 0271 064</b>
		D7 Nozzles: 113 / 417 <b>Order no. 0271 063</b>	
	L10 Nozzles: 208 / 510 <b>Order no. 0271 042</b>	D10 Nozzles: 111 / 419 <b>Order no. 0271 045</b>	S10 Nozzles: 527 / 235 <b>Order no. 0271 049</b>
Medium	L20 Nozzles: 210 / 512 <b>Order no. 0271 043</b>	D20 Nozzles: 115 / 421 <b>Order no. 0271 046</b>	S20 Nozzles: 539 / 243 <b>Order no. 0271 050</b>
Large	L30 Nozzles: 212 / 514 <b>Order no. 0271 044</b>	D30 Nozzles: 115 / 423 <b>Order no. 0271 047</b>	S30 Nozzles: 543 / 252 <b>Order no. 0271 051</b>
X-Large		D40 Nozzles: 117 / 427 <b>Order no. 0271 048</b>	
Recommended gun filter	red	white	-

## 13.6 NOZZLE CASES

Nozzle cases are a perfect addition to your paint spraying equipment, with everything safely stowed away and with project-specific equipment. Ideally matched to meet your particular application, there are four different versions available.

	<b>Part No.</b>
<b>① Nozzle case HEA ProTip Emulsion</b>	<b>2391870</b>
• 3x gun filter white, 50 MA, 0.31 mm MW, medium	0034 377
• 1x gun filter red, 180 MA, 0.084 mm MW, extra fine	0043 235
• Nozzle extension complete, 15 cm, G-thread	0556 074
• HEA ProTip 311	0554 311
• HEA ProTip 421	0554 421
• HEA ProTip 517	0554 517
• HEA ProTip 519	0554 519
<b>② Nozzle case TradeTip 3 Lacquer</b>	<b>2391871</b>
• 3x gun filter red, 180 MA, 0.084 mm MW, extra fine	0034 383
• Nozzle extension complete, 15 cm, G-thread	0556 074
• TradeTip 3 FineFinish nozzle 308	0554 308
• TradeTip 3 FineFinish nozzle 410	0554 410
• TradeTip 3 FineFinish nozzle 412	0554 412
• TradeTip 3 FineFinish nozzle 510	0554 510
<b>③ Nozzle case 2SpeedTip Emulsion</b>	<b>2391872</b>
• 3x gun filter white, 50 MA, 0.31 mm MW, medium	0034 377
• 1x gun filter red, 180 MA, 0.084 mm MW, extra fine	0043 235
• Nozzle extension complete, 15 cm, G-thread	0556 074
• HEA ProTip 311	0554 311
• 2SpeedTip nozzle D10 111/419	0271 045
• 2SpeedTip nozzle D20 115/421	0271 046
• 2SpeedTip nozzle D30 115/423	0271 047
<b>④ Nozzle case 2SpeedTip Lacquer</b>	<b>2391873</b>
• 4x gun filter red, 180 MA, 0.084 mm MW, extra fine	0034 383
• Nozzle extension complete, 15 cm, G-thread	0556 074
• TradeTip 3 FineFinish nozzle 308	0554 308
• TradeTip 3 FineFinish nozzle 410	0554 410
• 2SpeedTip nozzle L20 210/512	0271 043
• 2SpeedTip nozzle L30 212/514	0271 044

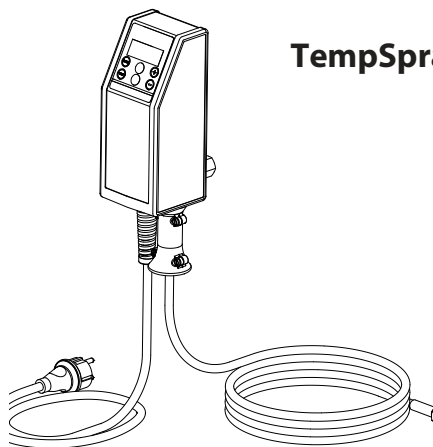
### 13.7 TEMPSPRAY

The paint material is heated to the required temperature uniformly by an electric heating element, which is located inside the hose (regulated from 20°C to 60°C).

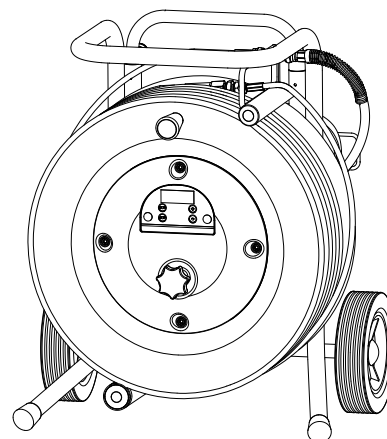
**Advantages:**

- Constant paint temperature even at low outside temperatures
- Considerably better working of high viscosity coating materials
- Increased application efficiency
- Savings in solvents due to reduction in viscosity
- Adaptable to all airless units

Order No.	Description
2311659 2311852	<b>TempSpray H 126 (ideal for lacquer jobs)</b> Basic unit 1/4" incl. stainless steel hose, DN6, 1/4", 10m Spraypack consisting of: basic unit (2311659), Airless gun Vector Grip G-thread incl. Trade Tip 3 nozzle holder and 2SpeedTip L10 (208/510)
2311660 2311853	<b>TempSpray H 226 (ideal for dispersions/materials with high viscosity)</b> Basic unit 1/4" incl. Hose reel, heated hose DN10, 15m, hose 1/4" DN4, 1m Spraypack consisting of: basic unit (2311660), Airless gun Vector Grip G-thread incl. Trade Tip 3 nozzle holder and 2SpeedTip D10 (111/419)
2311661 2311854	<b>TempSpray H 326 (ideal for dispersions/materials with high viscosity)</b> Basic unit 1/4" incl. Hose reel, heated hose DN10, 30m, hose 1/4" DN4, 1m Spraypack consisting of: basic unit (2311661), Airless gun Vector Grip G-thread incl. Trade Tip 3 nozzle holder and 2SpeedTip D20 (115/421)



**TempSpray H 126**

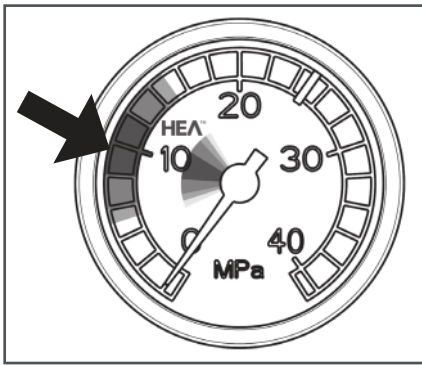


**TempSpray H 226  
TempSpray H 326**

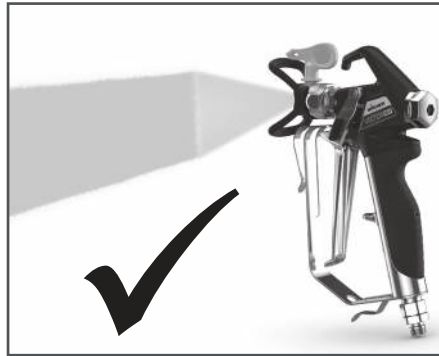
### 13.8 HEA NOZZLES FOR LOW-MIST SPRAYING AT LOW PRESSURE

HEA stands for High Efficiency Airless, an innovative nozzle technology revolutionising airless spraying. HEA nozzles allow the pressure of the spray device to be reduced right down and allow it to work in the low-pressure range (ideally at 80 - 140 bar). The nozzles can be used with all TradeTip 3 nozzle holders and WAGNER devices.

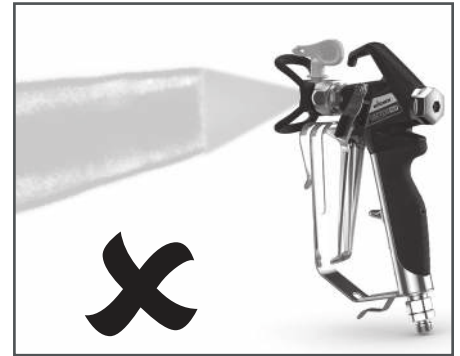
Some paints may need to be diluted to achieve the best result possible. The experts at Wagner application technology have therefore tested a wide range of materials for you. Their recommendations can be found in the Wagner Spray Guide at [sprayguide.wagner-group.com](http://sprayguide.wagner-group.com).



Set the low pressure in the HEA range and start.



Even spray pattern without spray edges.



If edges are visible, slowly increase the pressure.

#### HEA tip table



All of the tips in the table below are supplied together with the appropriate gun filter.

Application	Tip marking	Spray angle	Bore inch / mm	Spraying width mm 1)	Gun filter	Order no.
Synthetic-resin paints PVC paints	211	20°	0.011 / 0.28	120	red	0554211
	311	30°	0.011 / 0.28	150	red	0554311
	411	40°	0.011 / 0.28	190	Rot	0554411
Paints, primers Fillers	213	20°	0.013 / 0.33	120	red	0554213
	313	30°	0.013 / 0.33	150	red	0554313
	413	40°	0.013 / 0.33	190	red	0554413
Fillers Rust protection paints	415	40°	0.015 / 0.38	190	yellow	0554415
	515	50°	0.015 / 0.38	225	yellow	0554515
	615	60°	0.015 / 0.38	270	yellow	0554615
Rust protection paints Latex paints Dispersions	417	40°	0.017 / 0.43	190	white	0554417
	517	50°	0.017 / 0.43	225	white	0554517
	617	60°	0.017 / 0.43	270	white	0554617
Rust protection paints Latex paints Dispersions	519	50°	0.019 / 0.48	225	white	0554519
	619	60°	0.019 / 0.48	270	white	0554619
Flame retardant	421	40°	0.021 / 0.53	190	white	0554421
	521	50°	0.021 / 0.53	225	white	0554521
	621	60°	0.021 / 0.53	270	white	0554621

1) Spray width at about 30 cm to the object and 100 bar (10 MPa) pressure with synthetic-resin paint 20 DIN seconds.

## TESTING OF THE UNIT

For safety reasons, we would recommend having the device checked by an expert as required but at least every 12 months to ensure that it can continue to operate safely.

In the case of unused devices, the check can be postponed until they are next started up.

All (potentially deviating) national inspection and maintenance regulations must also be observed.

If you have any questions, please contact the customer service team at Wagner.

## IMPORTANT INFORMATION ON PRODUCT LIABILITY

According to an EU directive, the manufacturer is only liable without limitation for faults in the product if all parts come from the manufacturer or have been approved by the manufacturer and have been mounted to the device and are operated properly. If third-party accessories or spare parts are used, the manufacturer is exonerated wholly or partly from his/her liability if use of the third-party accessories or spare parts have caused a defect in the product. In extreme cases, the relevant authorities can completely prohibit using the entire device.

With original WAGNER accessories and spare parts, compliance with all safety regulations is guaranteed.

## NOTE ON DISPOSAL

In observance of the European Directive 2012/19/EU on waste electrical and electronic equipment and implementation in accordance with national law, this product is not to be disposed of together with household waste material but must be recycled in an environmentally friendly way!



Wagner or one of our dealers will take back your used Wagner waste electrical or electronic equipment and will dispose of it for you in an environmentally friendly way. Please ask your local Wagner service centre or dealer for details or contact us direct.

## GUARANTEE DECLARATION

(Status 01.02.2009)

### 1. Scope of guarantee

All Wagner professional colour application devices (hereafter referred to as products) are carefully inspected, tested and are subject to strict checks under Wagner quality assurance. Wagner exclusively issues extended guarantees to commercial or professional users (hereafter referred to as "customer") who have purchased the product in an authorised specialist shop, and which relate to the products listed for that customer on the Internet under [www.wagner-group.com/profi-guarantee](http://www.wagner-group.com/profi-guarantee).

The buyer's claim for liability for defects from the purchase agreement with the seller as well as statutory rights are not impaired by this guarantee.

We provide a guarantee in that we decide whether to replace or repair the product or individual parts, or take the device back and reimburse the purchase price. The costs for materials and working hours are our responsibility. Replaced products or parts become our property.

### 2. Guarantee period and registration

The guarantee period amounts to 36 months. For industrial use or equal wear, such as shift operations in particular, or in the event of rentals it amounts to 12 months.

Systems driven by petrol or air are also guaranteed for a 12 month period.

The guarantee period begins with the day of delivery by the authorised specialist shop. The date on the original purchase document is authoritative.

For all products bought in authorised specialist shops from 01.02.2009 the guarantee period is extended to 24 months providing the buyer of these devices registers in accordance with the following conditions within 4 weeks of the day of delivery by the authorised specialist shop.

Registration can be completed on the Internet under [www.wagner-group.com/profi-guarantee](http://www.wagner-group.com/profi-guarantee).

The guarantee certificate is valid as confirmation, as is the original purchase document that carries the date of the purchase. Registration is only possible if the buyer is in agreement with having the data being stored that is entered during registration.

When services are carried out under guarantee the guarantee period for the product is neither extended nor renewed. Once the guarantee period has expired, claims made against the guarantee or from the guarantee can no longer be enforced.

### 3. Handling

If defects can be seen in the materials, processing or performance of the device during the guarantee period, guarantee claims must be made immediately, or at the latest within a period of 2 weeks.

The authorised specialist shop that delivered the device is entitled to accept guarantee claims. Guarantee claims may also be made to the service centres named in our operating instructions. The product has to be sent without charge or presented together with the original purchase document that includes details of the purchase date and the name of the product. In order to claim for an extension to the guarantee, the guarantee certificate must be included.

The costs as well as the risk of loss or damage to the product in transit or by the centre that accepts the guarantee claims or who delivers the repaired product, are the responsibility of the customer.

### 4. Exclusion of guarantee

Guarantee claims cannot be considered

- for parts that are subject to wear and tear due to use or other natural wear and tear, as well as defects in the product that are a result of natural wear and tear, or wear and tear due to use. This includes in particular cables, valves, packaging, jets, cylinders, pistons, means-carrying housing components, filters, pipes, seals, rotors, stators, etc. Damage due to wear and tear that is caused in particular by sanded coating materials, such as dispersions, plaster, putty, adhesives, glazes, quartz foundation.
- in the event of errors in devices that are due to non-compliance with the operating instructions, unsuitable or unprofessional use, incorrect assembly and/or commissioning by the buyer or by a third party, or utilisation other than is intended, abnormal ambient conditions, unsuitable coating materials, unsuitable operating conditions, operation with the incorrect mains voltage supply/frequency, over-operation or defective servicing or care and/or cleaning.
- for errors in the device that have been caused by using accessory parts, additional components or spare parts that are not original Wagner parts.
- for products to which modifications or additions have been carried out.
- for products where the serial number has been removed or is illegible
- for products to which attempts at repairs have been carried out by unauthorised persons.
- for products with slight deviations from the target properties, which are negligible with regard to the value and usability of the device.
- for products that have been partially or fully taken apart.

### 5. Additional regulations.

The above guarantees apply exclusively to products that have been bought by authorised specialist shops in the EU, CIS, Australia and are used within the reference country.

If the check shows that the case is not a guarantee case, repairs are carried out at the expense of the buyer.

The above regulations manage the legal relationship to us conclusively. Additional claims, in particular for damages and losses of any type, which occur as a result of the product or its use, are excluded from the product liability act except with regard to the area of application.

Claims for liability for defects to the specialist trader remain unaffected.

German law applies to this guarantee. The contractual language is German. In the event that the meaning of the German and a foreign text of this guarantee deviate from one another, the meaning of the German text has priority.

J. Wagner GmbH  
 Division Professional Finishing  
 Otto Lilienthal Strasse 18  
 88677 Markdorf  
 Federal Republic of Germany

Subject to modifications · Printed in Germany

### EU Declaration of conformity

We declare under sole responsibility that this product conforms to the following relevant stipulations:

2006/42/EC, 2014/30/EU, 2011/65/EU, 2012/19/EU

Applied harmonised norms:  
 EN 62841-1, EN 1953, EN 55014-1, EN 55014-2,  
 EN 61000-3-2, EN 61000-3-3

The EU declaration of conformity is enclosed with the product. If required, it can be re-ordered using order number **2385803**.

**Traducción del manual de instrucciones original**

<b>1</b>	<b>INDICACIONES GENERALES DE SEGURIDAD</b>	<b>30</b>	<b>12</b>	<b>REPARACIONES EN EL APARATO</b>	<b>44</b>
<b>2</b>	<b>NORMAS DE SEGURIDAD PARA LA PULVERIZACIÓN AIRLESS</b>	<b>31</b>	12.1	Válvula de descarga	44
<b>3</b>	<b>SINOPSIS DE APLICACIÓN</b>	<b>34</b>	12.2	Válvula de admisión y escape	44
3.1	Campos de aplicación	34	12.3	Esquema eléctrico ProSpray 3.20	46
3.2	Materiales de recubrimiento	34	<b>13</b>	<b>APÉNDICE</b>	<b>47</b>
<b>4</b>	<b>DESCRIPCIÓN DEL APARATO</b>	<b>35</b>	13.1	Selección de boquillas	47
4.1	Proceso Airless	35	13.2	Mantenimiento y limpieza de las boquillas de metal duro Airless	47
4.2	Funcionamiento del aparato	35	13.3	Accesorios de pistola de pulverización	47
4.3	Leyenda del cuadro explicativo ProSpray 3.20	36	13.4	Tabla de boquillas Airless	48
4.4	Cuadro explicativo ProSpray 3.20	36	13.5	Tabla de boquillas 2Speed Tip	50
4.5	Datos técnicos	37	13.6	Caja de boquilla	51
4.6	Transporte en el vehículo	37	13.7	TempSpray	52
<b>5</b>	<b>PUESTA EN SERVICIO</b>	<b>37</b>	13.8	HEA - Boquillas para pulverización con poca niebla con baja presión	53
5.1	Manguera de alta presión, pistola de pulverización y aceite separador	37	<b>COMPROBACIÓN DEL EQUIPO</b>	<b>54</b>	
5.2	Conexión a la red de alimentación	38	<b>INDICACIÓN IMPORTANTE RESPECTO A LA GARANTÍA DEL PRODUCTO</b>	<b>54</b>	
5.3	Limpieza de agentes de conservación en la primera puesta en marcha	38	<b>ADVERTENCIA PARA LA ELIMINACIÓN DE DESECHOS</b>	<b>54</b>	
5.4	Poner el equipo en marcha con material de recubrimiento	38	<b>DECLARACIÓN DE GARANTÍA</b>	<b>54</b>	
<b>6</b>	<b>PULVERIZACIÓN</b>	<b>39</b>	<b>DECLARACIÓN UE DE CONFORMIDAD</b>	<b>55</b>	
<b>7</b>	<b>MANEJO DE LA MANGUERA DE ALTA PRESIÓN</b>	<b>40</b>	<b>ACCESORIOS</b>	<b>84</b>	
<b>8</b>	<b>INTERRUPCIÓN DEL TRABAJO</b>	<b>40</b>	Accesorios para ProSpray 3.20	84	
<b>9</b>	<b>LIMPIEZA DEL APARATO (PUESTA FUERA DE SERVICIO)</b>	<b>41</b>	<b>PIEZAS DE RECAMBIO</b>	<b>86</b>	
9.1	Limpieza del aparato por fuera	41	Lista de piezas de recambio conjunto principal	86	
9.2	Filtro de aspiración	41	Lista de piezas de recambio del sistema de aspiración	87	
9.3	Limpieza del filtro de alta presión	42	Lista de piezas de recambio del bastidor-soporte	88	
9.4	Limpieza de la pistola de pulverización Airless	42	<b>AGENCIAS DE SERVICIO TÉCNICO WAGNER</b>	<b>92</b>	
<b>10</b>	<b>PROCEDIMIENTO EN CASO DE AVERÍAS</b>	<b>43</b>			
<b>11</b>	<b>MANTENIMIENTO</b>	<b>44</b>			
11.1	Mantenimiento general	44			
11.2	Manguera de alta presión	44			



# 1 INDICACIONES GENERALES DE SEGURIDAD

**¡Atención!** Lea todas las indicaciones de seguridad, advertencias, ilustraciones y datos técnicos suministrados con esta herramienta eléctrica.



El incumplimiento de las siguientes advertencias puede provocar descargas eléctricas, incendios o daños graves. **Conserve todas las indicaciones y advertencias de seguridad cara al futuro.** El concepto de "herramienta eléctrica" contemplado en las indicaciones de seguridad se refiere tanto a las herramientas eléctricas que funcionan con corriente (con cable de alimentación) como a las que tienen batería (sin cable de alimentación).

## 1. Puesto de trabajo

- a) **Mantenga su área laboral limpia y ordenada.** El desorden y las áreas laborales sin iluminación pueden causar accidentes.
- b) **No trabaje con la herramienta eléctrica en entornos con riesgo de explosión donde haya líquidos, gases o polvos inflamables.** Las herramientas eléctricas generan chispas, que pueden inflamar el polvo o los vapores.
- c) **Mantenga a los niños y a otras personas alejados de la herramienta eléctrica durante el uso.** Las distracciones pueden hacer que pierda el control sobre la herramienta eléctrica.

## 2. Seguridad eléctrica

- a) **El enchufe de la herramienta eléctrica debe encajar en la toma de corriente, y no deberá modificarse de ningún modo. No utilice ningún enchufe adaptador junto con herramientas eléctricas con conexión a tierra.** Los enchufes originales con sus correspondientes cajas de enchufe disminuyen el riesgo de una descarga eléctrica.
- b) **Evite el contacto con superficies puestas a tierra, como tuberías, calefactores, hornillos y neveras.** Existe un elevado riesgo por descarga eléctrica si su cuerpo tiene contacto a tierra.
- c) **Mantenga alejadas las herramientas eléctricas de la lluvia o la humedad.** La penetración de agua en una herramienta eléctrica aumenta el riesgo de descarga eléctrica.
- d) **No utilice incorrectamente el cable de conexión para transportar la herramienta eléctrica, para colgarla ni para desenchufar tirando de la toma de corriente. Mantenga alejados los cables de conexión de las fuentes de calor, aceites, bordes afilados o piezas móviles.** Los cables de conexión dañados o enredados aumentan el riesgo de descarga eléctrica.
- e) **Cuando no se pueda evitar el uso de la herramienta eléctrica en un entorno húmedo, utilice un interruptor**

**diferencial residual.** El uso de un interruptor de corriente de defecto evita el riesgo de descargas eléctricas.

## 3. Seguridad de personas

- a) **Esté siempre alerta, preste atención a lo que está haciendo y proceda conscientemente al trabajar con una herramienta eléctrica. No utilice la herramienta eléctrica cuando esté cansado o bajo la influencia de drogas, alcohol o medicamentos.** Un momento de descuido durante el uso de la herramienta eléctrica puede provocar graves daños.
  - b) **Use indumentaria protectora personal y siempre gafas protectoras.** El uso de indumentaria protectora personal, como mascarilla antipolvo, zapatos de seguridad antideslizantes, casco protector o protección de los oídos, según tipo y aplicación de la herramienta eléctrica, disminuye el riesgo de lesiones.
  - c) **Evite una puesta en servicio accidental. Asegúrese de que la herramienta eléctrica esté apagada antes de conectarla a la corriente o a la batería, empezar a usarla o transportarla.** Se pueden provocar accidentes si tiene el dedo puesto en el accionador mientras transporta la herramienta eléctrica o si el dispositivo está encendido al conectarlo a la corriente.
  - d) **Retire las herramientas de ajuste o las llaves para tuercas, antes de conectar el equipo.** Las herramientas o llaves que se encuentran en las piezas giratorias de la herramienta eléctrica pueden provocar daños.
  - e) **No se sobreestime. Cuide de estar seguramente apostado y mantenga en todo momento el equilibrio.** Así podrá controlar mejor la herramienta eléctrica en situaciones inesperadas.
  - f) **Use indumentaria adecuada. No use ropa amplia o bisutería. Mantenga el cabello, la ropa y los guantes alejados de las partes que están en movimiento.** La ropa amplia, la bisutería o los cabellos largos pueden ser agarrados por las partes que están en movimiento.
  - g) **No se deje llevar por una falsa sensación de seguridad y no pase por alto las normas de seguridad para las herramientas eléctricas, incluso cuando esté familiarizado con el uso frecuente de herramientas eléctricas.** Un manejo descuidado puede ocasionar lesiones graves en tan solo una fracción de segundo.
- ## 4. Manejo y uso cuidadoso de las herramientas eléctricas
- a) **No sobrecargue la herramienta eléctrica. Utilice para su trabajo la herramienta eléctrica apropiada, así sus labores se desarrollarán de la mejor y más segura manera en el régimen de rendimiento indicado.**
  - b) **No utilice la herramienta eléctrica si su interruptor está defectuoso.** Una herramienta eléctrica que no permite su conexión o desconexión es peligrosa y deberá ser reparada.

- c) Saque el enchufe de la toma a tierra o retire la batería extraíble antes de ajustar la configuración del dispositivo, cambiar piezas de los accesorios o guardar la herramienta eléctrica. Estas medidas de precaución evitan que la herramienta eléctrica se active involuntariamente.
- d) Guarde las herramientas eléctricas fuera del alcance de los niños. No permita el uso del equipo a personas que no están familiarizadas con él, o que no han leído estas instrucciones. Las herramientas eléctricas son fuentes de peligros si son utilizadas por personas sin experiencia.
- e) Realice el mantenimiento de la herramienta eléctrica y sus piezas con precaución. Asegúrese de que las piezas móviles del dispositivo funcionen correctamente y no estén atascadas, rotas ni dañadas, para que el funcionamiento de la herramienta eléctrica no se vea perjudicado. Deje en reparación las piezas de la herramienta eléctrica dañadas por el uso. Numerosos accidentes son causados por herramientas eléctricas con mantenimiento deficiente.
- f) Utilice herramientas eléctricas, accesorios, herramientas de aplicación, etc. conforme a lo especificado en estas instrucciones para este tipo de equipo especial, teniendo en cuenta las condiciones de trabajo y la actividad a ser realizada. El uso de herramientas eléctricas para otros fines que las aplicaciones previstas, puede conducir a situaciones peligrosas.
- g) Mantenga los mangos y las superficies de agarre secos, limpios y sin aceite ni grasa. Los mangos y superficies de agarre resbaladizos no permiten un manejo seguro ni controlar las herramientas eléctricas en situaciones inesperadas.


**5. Service**

- a) Solo debe permitir que especialistas cualificados reparen la herramienta eléctrica y solo con piezas de repuesto originales. Con ello prevalece la seguridad del equipo.
- b) Si el cable de conexión de red de este equipo está dañado, debe ser reemplazado por el fabricante o su servicio posventa, o bien por una persona cualificada semejante, para evitar riesgos.


**2 NORMAS DE SEGURIDAD PARA LA PULVERIZACIÓN AIRLESS**

Obsérvense estrictamente las normas de seguridad locales. Para el manejo seguro de los aparatos de pulverización de alta presión Airless se han de observar las siguientes normas de seguridad.


**2.1 PUNTO DE INFLAMACIÓN**

 Peligro	Pulverizar sólo materiales de recubrimiento con un punto de inflamación de 21°C o superior. El punto de inflamación es la temperatura mínima con la que el material de recubrimiento produce vapores. Estos vapores son suficientes para formar una mezcla inflamable con el aire que está por encima del material de recubrimiento.
--	---



**2.2 PROTECCIÓN CONTRA EXPLOSIONES**

 Peligro	No utilizar el equipo en locales de fabricación que están bajo la ordenanza de protección contra explosión. La construcción del equipo no está protegida contra explosiones. No utilice el aparato en áreas con riesgo de explosión (zonas 0, 1 y 2). Áreas con riesgo de explosión son, por ejemplo, el lugar de almacenamiento de barnices y el entorno inmediato del objeto a recubrir. Coloque el aparato a una distancia de mín. 3 metros del objeto a recubrir.
--	---

**2.3 PELIGRO DE EXPLOSIÓN Y DE INCENDIO DURANTE TRABAJOS DE PULVERIZACIÓN MEDIANTE FOCOS DE IGNICIÓN**

 Peligro	En el entorno no debe haber ningún foco de ignición, como p.ej. fuego de llama libre, fumar cigarrillos, cigarros y pipa, generación de chispas, alambres incandescentes, superficies calientes, etc.
--	---


## 2.4 ATENCIÓN, ¡RIESGO DE LESIONES MEDIANTE EL CHORRO DE PULVERIZADO

 <p>Peligro</p> 	<p>Atención, ¡riesgo de lesiones mediante inyección!</p> <p>No dirigir nunca la pistola de pulverización a personas y a animales.</p> <p>Utilizar la pistola de pulverización solo con protección contra el contacto de chorro de pulverización.</p> <p>El chorro de pulverizado no debe llegar a tener contacto con ninguna región del cuerpo.</p> <p>La presión de pulverización elevada producida por las pistolas de pulverización puede causar graves lesiones. En el contacto con el chorro de pulverizado puede inyectarse material de recubrimiento a la piel. No trate una lesión por pulverización como una lesión de corte inocua. En caso de lesiones cutáneas por contacto con material de recubrimiento o disolvente, consultar inmediatamente a un médico para un tratamiento rápido y correcto. Informe al médico sobre el material de recubrimiento o disolvente utilizado.</p>
--	--

## 2.5 ASEGURAR LA PISTOLA DE PULVERIZACIÓN CONTRA ACCIONAMIENTO INVOLUNTARIO

Siempre que se va a montar o desmontar la boquilla y al interrumpir el trabajo, se debe asegurar la pistola de pulverización, de manera que no pueda ser accionada.

## 2.6 RETROCESO DE LA PISTOLA DE PULVERIZACIÓN

 <p>Peligro</p>	<p>A alta presión de servicio, el apriete del gatillo libera una fuerza de retroceso de hasta 15 N. Si no está consciente de este efecto, se puede golpear la mano o perder el equilibrio, causando eventuales lesiones.</p>
--	--

## 2.7 CARETAS RESPIRATORIAS PARA LA PROTECCIÓN CONTRA VAPORES DE DISOLVENTES

Ponerse una careta protectora respiratoria durante los trabajos de pulverización.

## 2.8 EVITAR LAS ENFERMEDADES PROFESIONALES


Llevar gafas protectoras.  
Llevar protección auditiva.

Para proteger la piel se necesitan especialmente ropa protectora, guantes y, si es necesario, crema cutánea de protección. Observar las prescripciones de los fabricantes respecto a los materiales de recubrimiento, disolventes y detergentes durante la preparación, el procesamiento y la limpieza del equipo.


## 2.9 PRESIÓN DE SERVICIO MÁXIMA

La presión de servicio admitida por la pistola de pulverización y sus accesorios, los accesorios del equipo y la manguera de alta presión no debe ser inferior a la presión de servicio máxima de 20,7 MPa (207 barios) indicada en el equipo.


## 2.10 MANGUERA DE ALTA PRESIÓN

 <p>Peligro</p>	<p>Atención, ¡riesgo de lesiones mediante inyección! Como consecuencia de desgaste, dobleces y un uso inapropiado se pueden formar fugas en la manguera de alta presión. A través de una fuga se puede inyectar líquido en la piel.</p>
--	---

- Comprobar atentamente la manguera de alta presión antes de cada uso.
- Sustituir inmediatamente la manguera de alta presión dañada.
- ¡No repare nunca usted mismo una manguera de alta presión defectuosa!
- Evitar doblarla o plegarla demasiado, radio de flexión mínimo, aprox. 20 cm.
- **No pasar por encima** de la manguera de alta presión, protegerla contra contactos con objetos agudos y cantos cortantes.
- No tirar nunca de la manguera de alta presión para desplazar el equipo.
- No torcer la manguera de alta presión.
- No sumergir la manguera de alta presión en disolventes. Limpiar el exterior únicamente con un paño empapado.
- Tender la manguera de alta presión de manera que no pueda representar un riesgo de tropiezo.

	<p>Por razones de funcionamiento, seguridad y duración, emplear únicamente mangueras de alta presión originales de WAGNER.</p>
---	--

## 2.11 CARGA ELECTROSTÁTICA (FORMACIÓN DE CHISPAS O LLAMA)

 <p>Peligro</p>	<p>A raíz de la velocidad de circulación del material de recubrimiento durante la pulverización, pueden eventualmente producirse cargas electrostáticas en el equipo. Éstas pueden dar lugar a formación de chispas o llama al descargarse. Por eso es necesario que el aparato esté siempre conectado a tierra a través de la instalación eléctrica. La conexión debe realizarse a través de una caja de enchufe conectada a tierra de debida forma.</p>
--	---

La carga electrostática de la pistola de pulverización y la manguera de alta presión se descarga a través de la manguera de alta presión. Por esa razón, la resistencia eléctrica entre los empalmes de la manguera de alta presión debe ser igual o menor a un megohmio.

**2.12 UTILIZACIÓN DEL EQUIPO EN OBRAS Y TALLERES**

Conexión a la red de alimentación sólo a través de un punto de alimentación especial con un dispositivo protector contra corriente defectuosa con  $INF \leq 30$  mA. Se requiere un disyuntor de potencia intercalado (fusible) de 16 A (característica B o C).

**2.13 VENTILACIÓN DE RECINTOS DURANTE TRABAJOS DE PULVERIZACIÓN**

Proveer una suficiente ventilación para la evacuación segura de los vapores de disolvente.

**2.14 DISPOSITIVOS DE ASPIRACIÓN**

Estos se construirán conforme a las prescripciones locales de los usuarios del aparato.

**2.15 PUESTA A TIERRA DEL OBJETO DE PULVERIZACIÓN**

El objeto de pulverización a recubrir debe estar puesto a tierra (Las paredes de edificios están por regla general puestas a tierra de natural manera.)


**2.16 MATERIAL DE RECUBRIMIENTO**


Preste atención a los peligros que pueden proceder del material pulverizado y observe igualmente las indicaciones en las etiquetas de los depósitos, o las instrucciones del fabricante del material pulverizable.

No pulverice materiales cuyo grado de peligrosidad no es conocido.

**2.17 LIMPIEZA DEL EQUIPO**

Para la limpieza, enjuagar la pistola solo con la boquilla retirada y baja presión.

	<p>Al limpiar el equipo con disolvente no se debe pulverizar o bombear a un recipiente con orificio pequeño (ojo de barril). Peligro de formación de una mezcla de gas/aire explosiva. El recipiente deberá estar puesto a tierra. Solo debe utilizarse un recipiente metálico con conexión a tierra. Para la puesta a tierra, sujetar bien la pistola en el borde del recipiente.</p>
--	--

	<p>¡Peligro de cortocircuito mediante agua infiltrada! No pulverizar nunca el aparato con detergente o vapor detergente de alta presión.</p>
--	--

**2.18 TRABAJOS O REPARACIONES EN EL EQUIPAMIENTO ELÉCTRICO**

Disponer su ejecución únicamente por un electricista competente. No se asume ninguna responsabilidad por la instalación inadecuada. Antes de proceder a cualquier trabajo, extraer la clavija de red de la caja de enchufe.

**2.19 TRABAJOS DE MANTENIMIENTO Y PAUSAS EN EL TRABAJO**

Antes de realizar cualquier trabajo en el dispositivo y cada vez que haga una pausa en el trabajo, despresurizar la pistola de pulverización y la manguera de alta presión. Asegurar el gatillo de la pistola de pulverización y desconectar el dispositivo.

**2.20 INSTALACIÓN EN SUPERFICIES IRREGULARES**

La parte frontal del equipo debe estar dirigida hacia abajo para evitar cualquier resbalamiento.

Sobre fondos inclinados, ya que tiende a moverse mediante vibraciones.

**2.21 NIVEL DE VIBRACIÓN**

El nivel de vibraciones ha sido medido conforme a un procedimiento de comprobación normalizado y se puede utilizar para la comparación de herramientas eléctricas.

El nivel de vibraciones sirve también para una evaluación inicial de la generación de vibraciones.

**¡Atención!** El valor de emisión de vibraciones durante el uso efectivo de la herramienta eléctrica puede diferir del valor indicado, según la manera en que se utiliza la herramienta eléctrica. Es necesario establecer medidas de seguridad para la protección del operador basadas en una evaluación de la exposición en las condiciones de uso efectivas (para este fin se tienen que considerar todas las partes del ciclo de funcionamiento, por ejemplo los tiempos durante los cuales la herramienta eléctrica está apagada y aquellos durante los cuales está encendida pero funciona sin carga).

## 3 SINOPSIS DE APLICACIÓN

### 3.1 CAMPOS DE APLICACIÓN

El rendimiento del ProSpray 3.20 está previsto para permitir el procesamiento de pinturas de dispersión para objetos pequeños y medianos en el sector interior. La ProSpray 3.20 solo debe utilizarse en interiores.

El dispositivo puede utilizarse para todos los trabajos de esmaltado habituales, como por ejemplo: Puertas, marcos de puerta, barandillas, muebles, revestimientos de madera, cercas, radiadores y piezas de acero.

### 3.2 MATERIALES DE RECUBRIMIENTO

#### MATERIALES DE RECUBRIMIENTO PROCESABLES



Preste atención a la calidad Airless de los materiales de recubrimiento a procesar.

Lacas y pinturas diluibles con agua y que contienen disolvente, materiales de recubrimiento bicomponentes, dispersiones, pinturas látex, agentes de desmoldeo, óleos, primera capa, pinturas de imprimación y masillas.

El procesamiento de otros materiales de recubrimiento se admite sólo con autorización de la empresa WAGNER.

#### FILTRADO

Pese al filtro de aspiración y el filtro enchufable en la pistola de pulverización, se recomienda en general realizar un filtrado del material de recubrimiento. Agitar bien el material de recubrimiento antes de proceder al trabajo.



Atención: Al remover con un mecanismo agitador accionado a motor, prestar atención de que no se formen burbujas, ya que éstas dificultan la pulverización, y pueden también interrumpir el funcionamiento.

#### VISCOSIDAD

El aparato permite procesar materiales de recubrimiento de alta viscosidad hasta aprox. 20.000 mPa·s. Si no es posible la aspiración de materiales de recubrimiento, se han de diluir conforme a las indicaciones del fabricante.

#### MATERIALES DE RECUBRIMIENTO BICOMPONENTES

Se cumplirá exactamente el tiempo de procesamiento correspondiente. Durante este tiempo el aparato deberá lavarse y limpiarse cuidadosamente con el respectivo agente limpiador.

#### MATERIALES DE RECUBRIMIENTO CON SUSTANCIAS ACCESORIAS DE CANTO VIVO

Estos ejercen un fuerte efecto desgastador sobre las válvulas, la manguera de alta presión, la pistola de pulverización y la boquilla, lo cual puede acortar considerablemente la duración de estas piezas.

## **4 DESCRIPCIÓN DEL APARATO**

### **4.1 PROCESO AIRLESS**

Los campos de aplicación principales son el recubrimiento con capas gruesas de material de recubrimiento de alta viscosidad de grandes superficies y con alta aplicación de material.

Una bomba de pistón aspira el material de recubrimiento y lo transporta a presión a la boquilla. El material de recubrimiento se pulveriza impulsado a través de la boquilla a una presión de hasta 20,7 MPa (207 barios). Esta alta presión produce una pulverización micrométrica del material de recubrimiento.

Dado que en este sistema no se utiliza aire, este proceso se denomina proceso AIRLESS (exento de aire).

Esta forma de pulverizar reúne las ventajas de la más fina pulverización, un funcionamiento pobre en neblinas y una superficie lisa y sin burbujas. Junto a estas ventajas se pueden mencionar la velocidad de trabajo y la gran manejabilidad.

### **4.2 FUNCIONAMIENTO DEL APARATO**

A continuación la estructuración técnica a grandes rasgos, a fin de una mejor comprensión del funcionamiento.

Wagner ProSpray 3.20 son equipos de pulverización de alta presión con accionamiento eléctrico.

Un mecanismo de engranajes transfiere la fuerza motriz a un eje de cigüeñal, que mueve arriba y abajo el pistón de la bomba de transporte de material.

La válvula de admisión abre automáticamente mediante el movimiento ascendente del pistón. La válvula de escape abre durante el movimiento descendente del pistón.



El material de recubrimiento se transporta a alta presión a través de la manguera de alta presión a la pistola de pulverización. El material de recubrimiento se pulveriza al salir por la boquilla.

El regulador de presión regula la cantidad de transporte y la presión de servicio del material de recubrimiento.

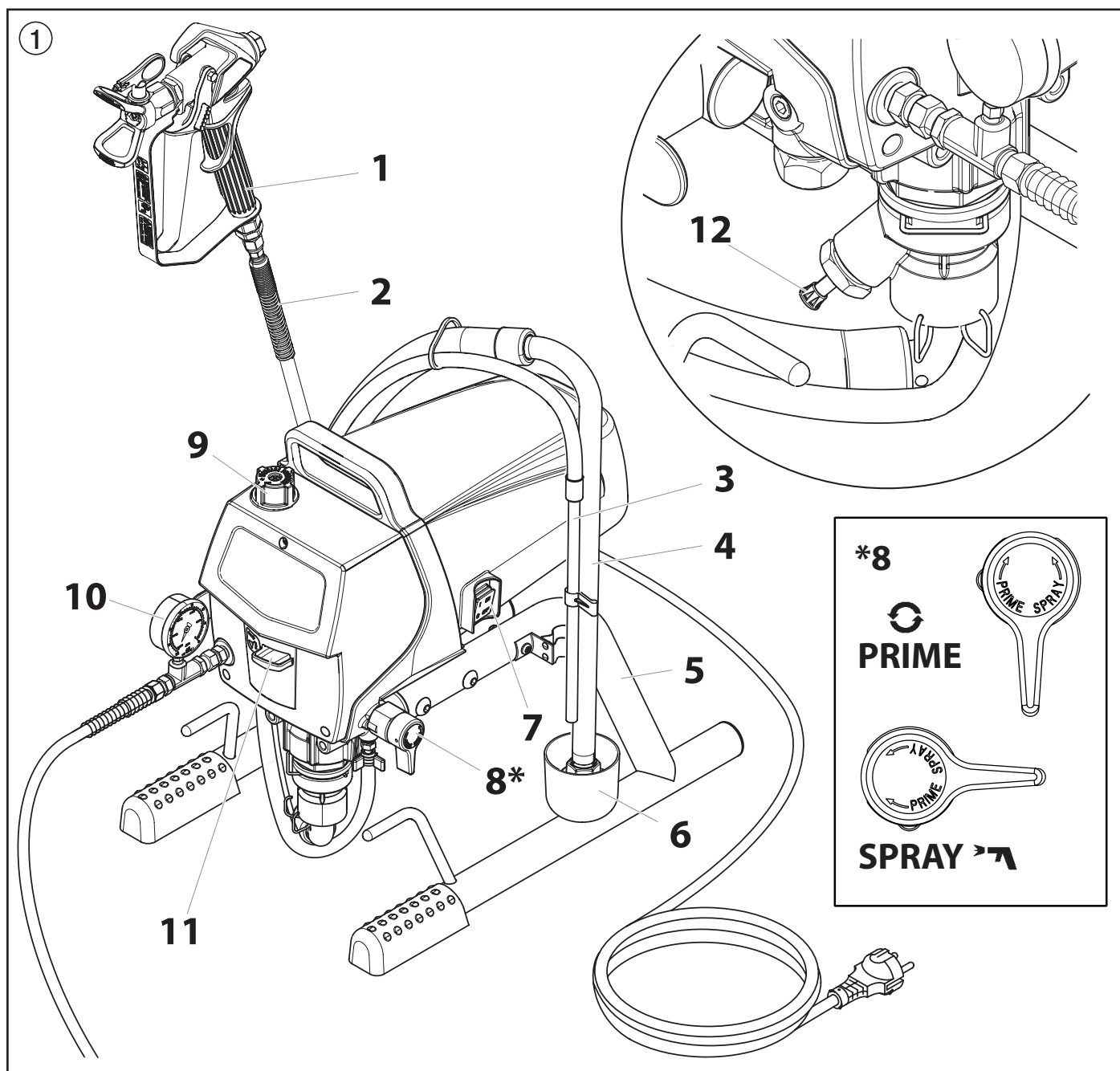


### 4.3 LEYENDA DEL CUADRO EXPLICATIVO PROSPRAY 3.20

1. Pistola de pulverización
2. Manguera de alta presión
3. Manguera de retorno
4. Manguera de aspiración
5. Bastidor-soporte
6. Recipiente de limpieza
7. Interruptor ON/CON – OFF/DES

8. Válvula de descarga  
Palanca en posición vertical – PRIME (  circulación)  
Palanca en posición horizontal – SPRAY (  pulverizar)
9. Mando regulador de presión
10. Manómetro
11. Abertura de relleno para EasyGlide (el EasyGlide evita el desgaste excesivo de las empaquetaduras)
12. Vástago impulsor

### 4.4 CUADRO EXPLICATIVO PROSPRAY 3.20





#### 4.5 DATOS TÉCNICOS

<b>Tensión</b>	230 VAC, 50/60 Hz
<b>Consumo de corriente máx.</b>	5,3 A
<b>Capacidad de absorción aparato</b>	1000 W
<b>Cable de conexión</b>	6 m longitud, 3x1,5 mm <sup>2</sup>
<b>Presión de servicio máx.</b>	207 bar (20,7 MPa)
<b>Intensidad volumétrica máx.</b>	2,0 l/min
<b>Intensidad volumétrica a 120 barios (12 MPa) con agua</b>	1,60 l/min
<b>Tamaño de boquilla máx.</b>	0,021 inch (pulgada) – 0,53 mm
<b>Temperatura máx. del material de recubrimiento</b>	43°C
<b>Viscosidad máx.</b>	20.000 MPa·s
<b>Peso</b>	13,6 kg
<b>Manguera especial de alta presión</b>	6,35 mm, 15 m - 1/4" - 18 NPSM
<b>Medidas (L x B x H)</b>	441 x 324 x 415 mm
<b>Nivel de presión sonora*</b>	80 dB (A); Inseguridad K = 4 dB
<b>Potencia de presión acústica*</b>	93 dB (A); Inseguridad K = 4 dB
<b>Nivel de vibración*</b>	< 2,5 m/s <sup>2</sup> ; Inseguridad K = 1,5 m/s <sup>2</sup>

\* Medición según EN 62841-1

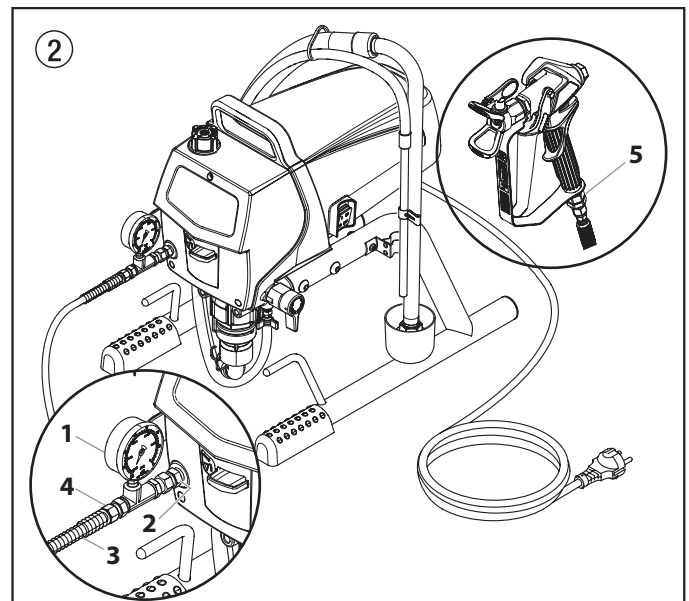
#### 4.6 TRANSPORTE EN EL VEHÍCULO

Asegurar el aparato con medios de sujeción adecuados.

### 5 PUESTA EN SERVICIO

#### 5.1 MANGUERA DE ALTA PRESIÓN, PISTOLA DE PULVERIZACIÓN Y ACEITE SEPARADOR

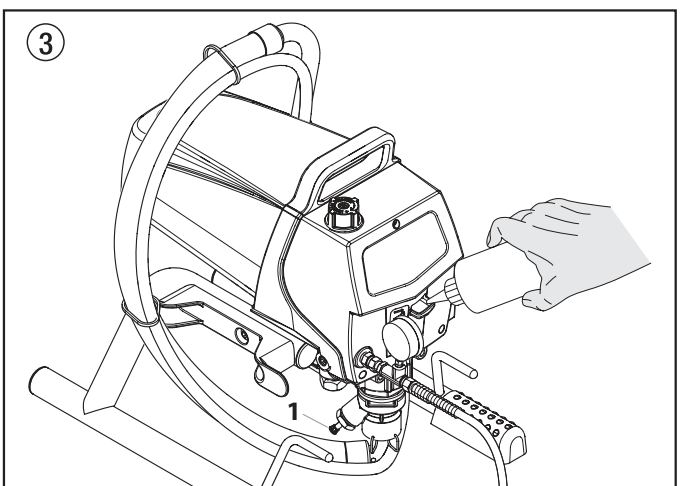
1. Si lo hay - Enroscar el manómetro (Fig. 2, Pos. 1) en la salida de material de recubrimiento (2).
2. Enroscar la manguera de alta presión (3) en la salida de material de recubrimiento (Fig. 2, Pos. 4)
3. Atornillar la pistola de pulverización (5) con la boquilla elegida en la manguera de alta presión.
4. Apretar bien la tuerca tapón en la manguera de alta presión, para que no salga material de recubrimiento.



5. Rellenar tal cantidad EasyGlide (Fig. 3), de manera que no gotee en el depósito de material de recubrimiento.



El EasyGlide evita el desgaste excesivo de las empaquetaduras.



6. Presione completamente el vástago impulsor (Fig. 3, Pos. 1) para asegurarse de que la bola de entrada esté libre.

## 5.2 CONEXIÓN A LA RED DE ALIMENTACIÓN



La conexión debe realizarse a través de una caja de enchufe con contacto protector de tierra reglamentario.

Antes de conectar a la red de alimentación, prestar atención de que la tensión de red coincida con los datos indicados en la placa de características del equipo.

Si se va a conectar a la red pública de baja tensión, es posible que se necesite una autorización del proveedor. Compruebe las regulaciones vigentes en su país y contacte con su proveedor.

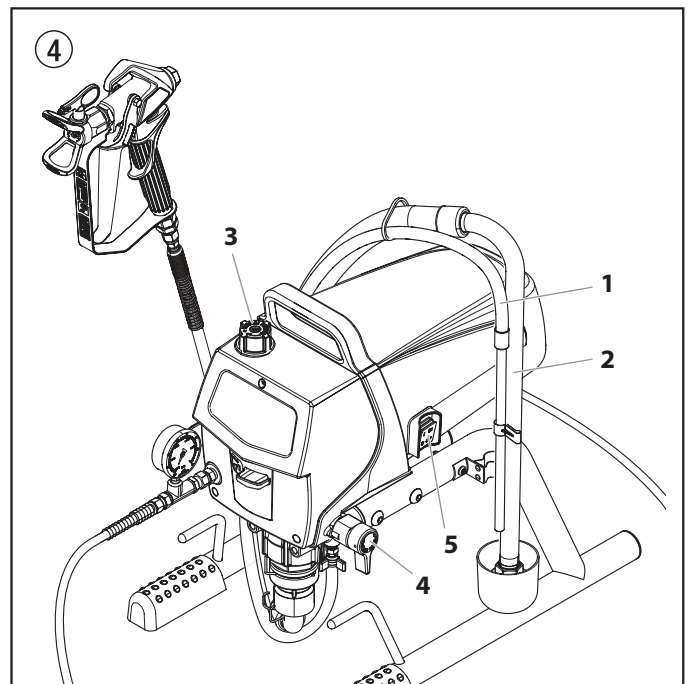
La conexión tiene que estar dotada de un interruptor de corriente de defecto INF  $\leq 30$  mA.



En el programa de accesorios Wagner encuentra dispositivos eléctricos de protección personal móvil, que usted puede también utilizar con otros equipos eléctricos.

## 5.3 LIMPIEZA DE AGENTES DE CONSERVACIÓN EN LA PRIMERA PUESTA EN MARCHA

1. Sumergir la manguera de aspiración (Fig. 4, Pos. 2) y la manguera de retorno (1) en un depósito con agente limpiador adecuado.
2. Girar el mando regulador de presión (3) a mínima presión.
3. Abrir la válvula de descarga (4), posición de válvula PRIME (↻ circulación).
4. Conectar el equipo (5) ON (CON).
5. Esperar hasta que por la manguera de retorno salga detergente.
6. Cerrar la válvula de descarga, posición de válvula SPRAY (p pulverizar).
7. Apretar el gatillo de la pistola de pulverización.
8. Pulverizar agente limpiador fuera del aparato a un recipiente colector abierto.



## 5.4 PONER EL EQUIPO EN MARCHA CON MATERIAL DE RECUBRIMIENTO

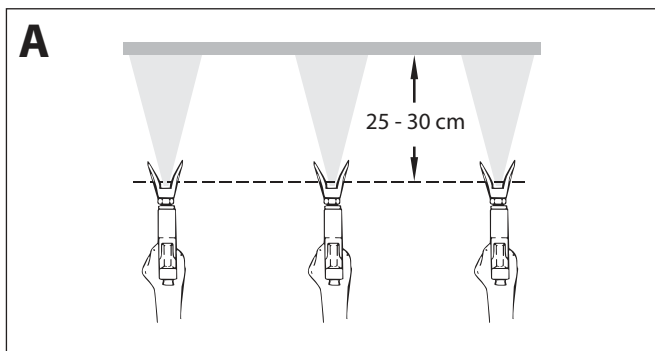
1. Sumergir la manguera de aspiración (Fig. 4, Pos. 2) y la manguera de retorno (1) en el depósito con material de recubrimiento.
2. Girar el mando regulador de presión (3) a mínima presión.
3. Abrir la válvula de descarga (4), posición de válvula PRIME (↻ circulación).
4. Conectar el equipo (5) ON (CON)
5. Esperar hasta que por la manguera de retorno salga material de recubrimiento.
6. Cerrar la válvula de descarga, posición de válvula SPRAY (p pulverizar).
7. Apretar el gatillo de la pistola de pulverización varias veces y pulverizar en un recipiente colector, hasta que el material de recubrimiento salga de forma ininterrumpida por la pistola de pulverización.
8. Aumentar la presión girando el mando regulador de presión lentamente a una posición de presión más alta. Comprobar la proyección del pulverizado, aumentando la pulverización hasta que sea impecable. Girar el mando regulador de presión siempre a la posición más baja, que todavía permita buena pulverización.
9. El aparato está disponible para pulverizar.

## 6 PULVERIZACIÓN



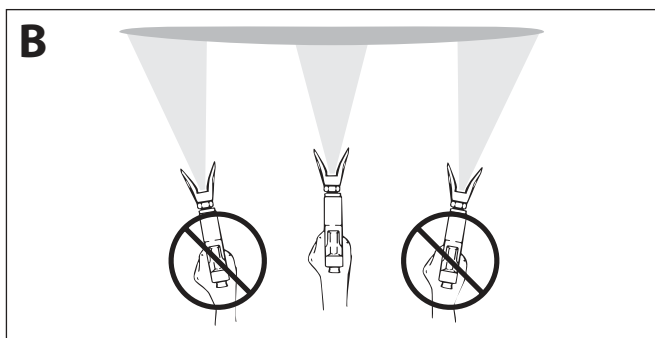
Peligro de inyección. No pulverice sin la protección de la punta en su lugar. NUNCA apriete el gatillo de la pistola a menos que la punta esté completamente girada en la posición de pulverización o de destrabado. SIEMPRE bloquee el gatillo de la pistola antes de retirar, reemplazar o limpiar la punta.

- A)** La clave para un buen trabajo de pintura es recubrir de forma pareja toda una superficie. Mueva su brazo a una velocidad constante y mantenga la pistola pulverizadora a una distancia constante de la superficie. La mejor distancia para pulverizar es de 25 a 30 cm entre la punta de pulverización y la superficie.

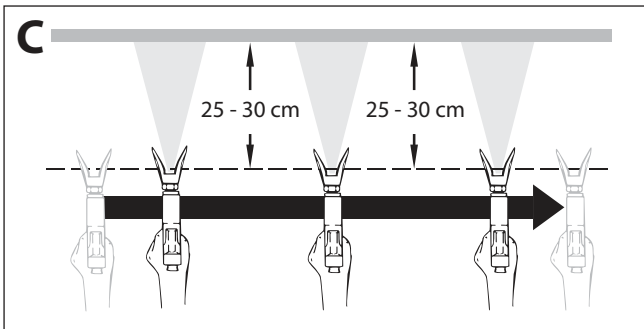


- B)** Mantenga la pistola pulverizadora en ángulos rectos respecto de la superficie. Esto quiere decir que debe mover todo el brazo de un lado a otro y no solo mover la muñeca.

Mantenga la pistola pulverizadora de forma perpendicular a la superficie, de lo contrario un extremo del patrón será más grueso que el otro.





- C)** Apriete el gatillo después de comenzar el trazo. Suelte el gatillo antes de terminar el trazo. La pistola pulverizadora debería estar en movimiento cuando se aprieta y suelta el gatillo. Superponga cada trazo cerca de 30%. Esto garantizará un recubrimiento pareja.



Al presentarse zonas con bordes y franjas en el chorro de pulverizado – aumentar la presión de servicio o diluir el material de recubrimiento.

## 7 MANEJO DE LA MANGUERA DE ALTA PRESIÓN




	<p>El aparato está equipado con una manguera de alta presión especialmente adecuada para bombas de pistón.</p>
	<p>Riesgo de lesiones mediante manguera de alta presión con fugas. Sustituir inmediatamente la manguera de alta presión dañada. ¡No reparar nunca una manguera de alta presión defectuosa!</p>

La manguera de alta presión se tiene que manejar con cuidado. Evitar doblarla o plegarla demasiado, radio de flexión mínimo, aprox. 20 cm.

No pasar por encima de la manguera de alta presión, protegerla contra contactos con objetos agudos y cantos cortantes.


No tirar nunca de la manguera de alta presión para desplazar el equipo.

Prestar atención a que la manguera de alta presión no se pueda torcer. Esto se puede evitar utilizando una pistola de pulverización Wagner con articulación giratoria y un tambor de manguera.




	<p>Para el manejo de la manguera de alta presión durante trabajos en andamios se ha comprobado como más ventajoso, dirigir la manguera siempre por la parte exterior del andamio.</p>
	<p>En mangueras de alta presión viejas aumenta el riesgo de defectos. Wagner recomienda sustituir la manguera de alta presión al cabo de 6 años.</p>
	<p>Por razones de funcionamiento, seguridad y duración, emplear únicamente mangueras de alta presión originales de Wagner.</p>

## 8 INTERRUPCIÓN DEL TRABAJO



1. Abrir la válvula de descarga, posición de válvula PRIME (↻ circulación).
2. Desconectar el equipo OFF (DES).
3. Girar el mando regulador de presión a mínima presión.
4. Apretar el gatillo de la pistola de pulverización, para descargar la presión de la manguera de alta presión y de la pistola de pulverización.
5. Asegurar la pistola de pulverización, véase las instrucciones de funcionamiento de la pistola de pulverización.
6. Si tiene que limpiarse la boquilla, véase apartado 13.2.  
Si está montada una boquilla de distinto modelo, proceder conforme al manual de instrucciones.
7. Dejar sumergidas la manguera de aspiración y la manguera de retorno o sumergirlas en un material de recubrimiento apropiado.

 Atención	<p>Al emplear materiales de recubrimiento de secado rápido - o bicomponentes, lavar el aparato a fondo sin falta con agente limpiador adecuado, dentro del tiempo de procesamiento.</p>
--	---

## 9 LIMPIEZA DEL APARATO (PUESTA FUERA DE SERVICIO)

	La limpieza es la más segura garantía para un funcionamiento sin desperfectos. Después de terminar los trabajos de pulverización, limpiar el aparato. De ninguna manera deben secarse y quedar restos de material de recubrimiento pegados en el aparato.
	El agente limpiador utilizado para la limpieza (sólo con un punto de inflamación superior a 21°C) debe corresponder al material de recubrimiento.
	<ul style="list-style-type: none"> <li>• <b>Asegurar la pistola de pulverización</b>, véase las instrucciones de funcionamiento de la pistola de pulverización.</li> <li>• Limpiar y desmontar la boquilla.</li> <li>• Boquilla estándar, véase apartado 13.2.</li> <li>• Si está montada una boquilla de distinto modelo, proceder conforme al manual de instrucciones.</li> </ul>



1. Sacar la manguera de aspiración fuera del material de recubrimiento.
2. Cerrar la válvula de descarga, posición de válvula SPRAY (☞ pulverización).
3. Conectar el equipo ON (CON).

 Atención	Para materiales de recubrimiento que contienen disolvente, el recipiente deberá estar puesto a tierra.
	¡Cuidado! ¡No bombear o pulverizar en recipientes con orificio pequeño (ojo de barril)! Véase Normas de seguridad.

4. Apretar el gatillo de la pistola de pulverización, para bombear el resto de material de recubrimiento de la manguera de aspiración, la manguera de alta presión y la pistola de pulverización, a un recipiente abierto.
5. Sumergir la manguera de aspiración con la manguera de retorno en un depósito con agente limpiador adecuado.
6. Girar el mando regulador de presión a mínima presión.
7. Abrir la válvula de descarga, posición de válvula PRIME (☞ circulación).
8. Bombear agente limpiador adecuado en la circulación durante algunos minutos.


9. Cerrar la válvula de descarga, posición de válvula SPRAY (☞ pulverización).
10. Apretar el gatillo de la pistola de pulverización.
11. Bombear el resto de agente limpiador en un recipiente abierto, hasta vaciar el aparato.
12. Desconectar el equipo OFF (DES).

### 9.1 LIMPIEZA DEL APARATO POR FUERA

	Extraer primero la clavija de red de la caja de enchufe.
 Atención	<p>¡Peligro de cortocircuito mediante agua infiltrada.</p> <p>No pulverizar nunca el aparato con detergente o vapor detergente de alta presión.</p> <p>No sumergir la manguera de alta presión en disolventes. Limpiar el exterior únicamente con un paño empapado.</p>

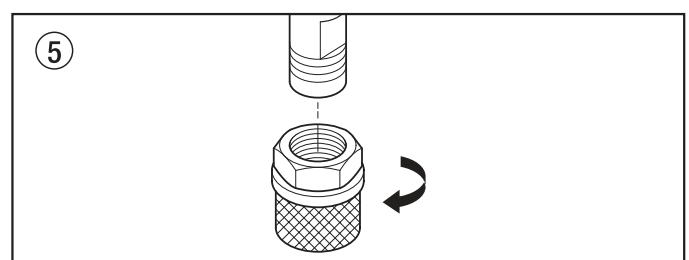
Restregar el aparato por fuera con un paño empapado con agente limpiador adecuado.

### 9.2 FILTRO DE ASPIRACIÓN

	Un filtro de aspiración limpio garantiza siempre máxima cantidad transportada, presión de pulverización constante y un correcto funcionamiento del aparato.
---	---

1. Destornillar el filtro (Fig. 5) del tubo de aspiración.
2. Limpiar o cambiar el filtro.

Ejecutar la limpieza con un pincel duro y el respectivo agente limpiador.



### 9.3 LIMPIEZA DEL FILTRO DE ALTA PRESIÓN



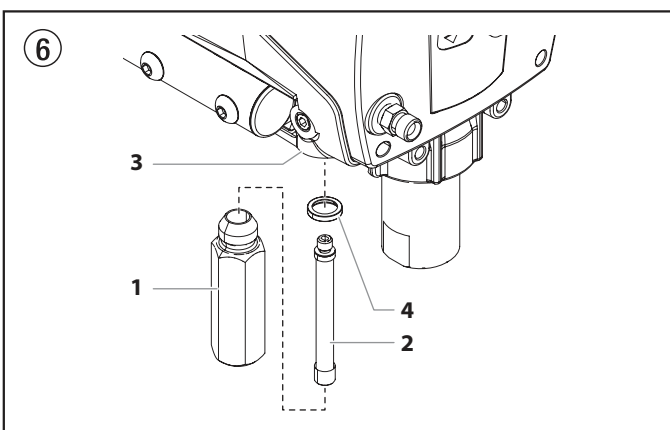
Hay un filtro disponible de alta presión como accesorio opcional, que se puede pedir por separado. Limpiar el cartucho de filtro con regularidad. Un filtro de alta presión sucio u obstruido da lugar a una proyección del pulverizado deficiente o una boquilla obstruida.

1. Girar el mando regulador de presión a mínima presión.
2. Abrir la válvula de descarga, posición de válvula PRIME (↻ circulación).
3. Desconectar el equipo OFF (DES).



Extraer la clavija de red de la caja de enchufe.

4. Desenroscar la caja de filtro (Fig. 6, Pos. 1) con llave de cinta abrazadora.
5. Destornille el filtro (2) del múltiple de la bomba (3), para girarlo en el sentido de las agujas del reloj.
6. Limpiar todas las piezas con agente limpiador apropiado. Si es necesario, cambiar el cartucho de filtro.
7. Comprobar el anillo tórico (4), sustituirlo si es necesario.
8. Atornille el filtro limpio o nuevo en el múltiple de la bomba para girarlo en sentido contrario al de las agujas del reloj.
9. Atornillar la caja de filtro (1) y apretarla con llave de cinta abrazadora hasta el tope.



### 9.4 LIMPIEZA DE LA PISTOLA DE PULVERIZACIÓN AIRLESS

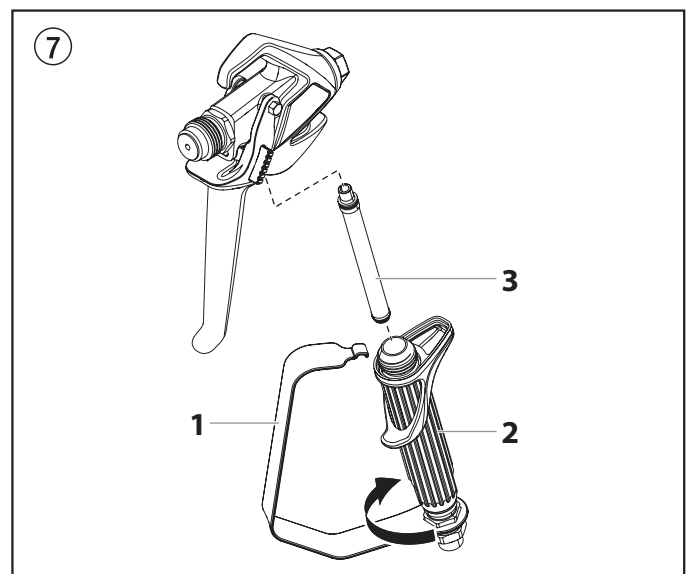


Limpiar la pistola pulverizadora después de cada uso.

1. Lavar el interior de la pistola de pulverización Airless a baja presión de servicio con agente limpiador adecuado.
2. Limpiar a fondo la boquilla con agente limpiador detergente adecuado, de manera que no quede ningún resto de material de recubrimiento.
3. Limpiar a fondo la pistola de pulverización Airless por fuera.

#### FILTRO ENCHUFABLE EN LA PISTOLA DE PULVERIZACIÓN AIRLESS (FIG. 7)

1. Desenganche la parte superior del guardamonte (1) desde el cabezal de la pistola.
2. Use la base del guardamonte como llave, suelte y retire el conjunto de la pieza de sujeción (2) del cabezal de la pistola.
3. Extraiga el filtro (3) viejo del cabezal de la pistola. Limpie o reemplace.
4. Introduzca el nuevo filtro, con el extremo cónico primero, en el cabezal de la pistola.
5. Enrosque el conjunto de la empuñadura en el cabezal de la pistola hasta que quede bien sujeto. Apriete con la llave del gatillo.
6. Fije el guardamonte de vuelta en el conjunto del cabezal de la pistola.



## 10 PROCEDIMIENTO EN CASO DE AVERÍAS

Avería	Causa posible	Eliminación de la avería
A. El aparato no arranca	<ol style="list-style-type: none"> <li>No hay tensión de alimentación.</li> <li>Ajuste de presión demasiado bajo.</li> <li>Interruptor ON/OFF defectuoso.</li> </ol>	<ol style="list-style-type: none"> <li>Comprobar el abastecimiento de tensión.</li> <li>Aumentar girando el mando regulador de presión.</li> <li>Sustituir</li> </ol>
B. El aparato no aspira	<ol style="list-style-type: none"> <li>Válvula de descarga ajustada para SPRAY (pulverización).</li> <li>El filtro sobrepasa el nivel de líquido y aspira aire.</li> <li>Filtro obstruido.</li> <li>Manguera de aspiración suelta, el equipo aspira aire secundario.</li> </ol>	<ol style="list-style-type: none"> <li>Ajustar la válvula de descarga para PRIME (circulación).</li> <li>Rellenar material de recubrimiento.</li> <li>Limpiar o sustituir el filtro.</li> <li>Limpiar los sitios de empalme, sustituir los anillos tóricos si es necesario. Asegurar la manguera de aspiración con grapa de sujeción.</li> </ol>
C. El aparato no aspira, no se establece la presión de servicio	<ol style="list-style-type: none"> <li>Boquilla demasiado gastada.</li> <li>Boquilla demasiado grande.</li> <li>Ajuste de presión demasiado bajo.</li> <li>Filtro obstruido.</li> <li>El material de recubrimiento fluye a través de la manguera de retorno, cuando la válvula de descarga está en posición SPRAY (pulverización).</li> <li>Empaquetaduras pegadas o gastadas.</li> <li>Bolas de válvula gastadas.</li> <li>Encajes de válvula gastados.</li> </ol>	<ol style="list-style-type: none"> <li>Sustituir</li> <li>Sustituir la boquilla más pequeña.</li> <li>Gire el regulador de presión en el sentido de las agujas del reloj para aumentar.</li> <li>Limpiar o sustituir el filtro.</li> <li>Desmontar la válvula de descarga y limpiarla o sustituirla.</li> <li>Desmontar las empaquetaduras, limpiarlas o sustituirlas.</li> <li>Desmontar las bolas de válvula y sustituirlas.</li> <li>Desmontar las bolas de válvula y sustituirlas.</li> </ol>
D. El material de recubrimiento sale fuera de la zona de pintura	<ol style="list-style-type: none"> <li>La empaquetadura superior está gastada.</li> <li>El pistón está gastado.</li> </ol>	<ol style="list-style-type: none"> <li>Desmontar la empaquetadura y sustituirla.</li> <li>Desmontar el pistón y sustituirlo.</li> </ol>
E. El equipo pierde potencia	<ol style="list-style-type: none"> <li>Ajuste de presión demasiado bajo.</li> </ol>	<ol style="list-style-type: none"> <li>Gire el regulador de presión en el sentido de las agujas del reloj para aumentar.</li> </ol>
F. Pulsación elevada en la pistola de pulverización	<ol style="list-style-type: none"> <li>Manguera de alta presión incorrecta.</li> <li>Boquilla gastada o demasiado grande.</li> <li>Presión muy alta.</li> </ol>	<ol style="list-style-type: none"> <li>Por razones de funcionamiento, seguridad y duración, emplear únicamente mangueras de alta presión originales de WAGNER.</li> <li>Sustituir la boquilla.</li> <li>Girar el mando regulador de presión a una cifra más baja.</li> </ol>
G. Mala proyección del pulverizado	<ol style="list-style-type: none"> <li>Boquilla demasiado grande para el material de recubrimiento a pulverizar.</li> <li>Ajuste de presión incorrecto.</li> <li>Cantidad de transporte demasiado baja.</li> <li>Material de recubrimiento de muy alta viscosidad.</li> </ol>	<ol style="list-style-type: none"> <li>Sustituir la boquilla.</li> <li>Girar el mando regulador de presión hasta obtener una proyección del pulverizado satisfactoria.</li> <li>Limpiar o sustituir todos los filtros.</li> <li>Diluir conforme a la indicación del fabricante.</li> </ol>
H. La bomba se sobrepresuriza y no se apagará.	<ol style="list-style-type: none"> <li>El interruptor automático por caída de presión está defectuoso.</li> <li>El transductor está defectuoso.</li> </ol>	<ol style="list-style-type: none"> <li>Lleve la unidad a un centro de servicio autorizado de Wagner.</li> <li>Lleve la unidad a un centro de servicio autorizado de Wagner.</li> </ol>



# 11 MANTENIMIENTO


## 11.1 MANTENIMIENTO GENERAL

El mantenimiento del equipo deberá ser realizado por el servicio postventa de Wagner una vez al año.


1. Comprobar los deterioros en las mangueras de alta presión, la tubería de conexión de aparatos y los conectores.
2. Comprobar el desgaste de la válvula de admisión, la válvula de escape y el filtro.

## 11.2 MANGUERA DE ALTA PRESIÓN


Comprobar visualmente la eventual presencia de cortes o desabolladuras en la manguera de alta presión, especialmente en el paso a la grifería. Las tuercas tapón deben tener giro libre.

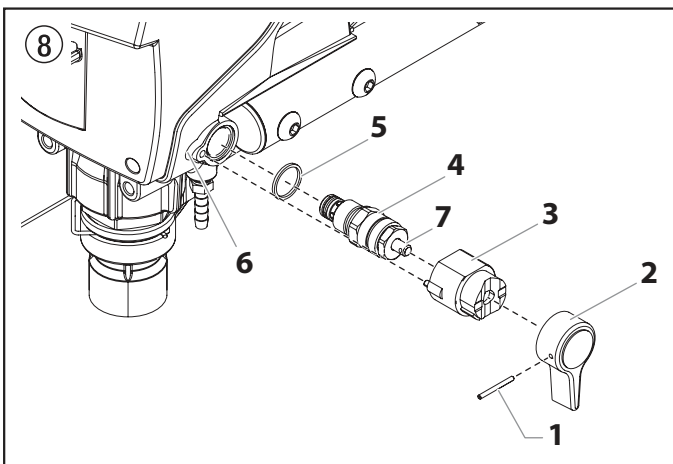
	En mangueras de alta presión viejas aumenta el riesgo de defectos. Wagner recomienda sustituir la manguera de alta presión al cabo de 6 años.
---	---

# 12 REPARACIONES EN EL APARATO

	Desconectar el equipo OFF (DES). Antes de toda reparación – extraer la clavija de red la caja de enchufe.
---	--

## 12.1 VÁLVULA DE DESCARGA

 <b>Atención</b>	No se debe reparar la carcasa de la válvula (4). Si está desgastada, siempre se debe reemplazar con una nueva.
--	--




1. Quitar con un punzón de 2 mm el pasador cónico hendido (Fig. 8, Pos. 1) del agarradero de la válvula de descarga (2).

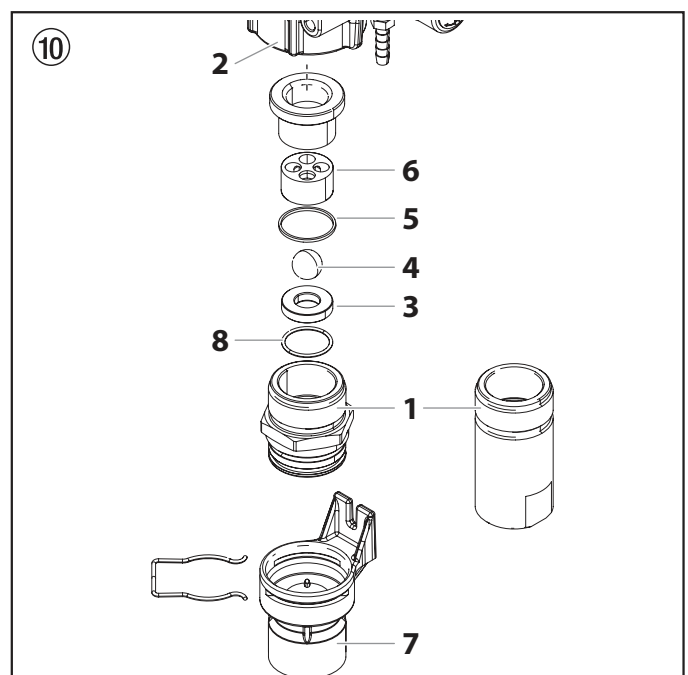
2. Extraer el agarradero de la válvula de descarga (2) y el tope de arrastre (3).
3. Desenroscar la caja de válvula (4) completa con una llave ajustable por rodillo sin fin.
4. Verificar el asiento correcto de la junta (5), luego enroscar una nueva caja de válvula (4) completa en la caja de escala cromática (6). Apretar con llave ajustable por rodillo sin fin.
5. Alinear el tope de arrastre (3) en el taladro de la caja de escala cromática (6). Deslizar el tope de arrastre y untarlo con grasa de máquinas.
6. Alinear para que el taladro coincida con el eje de válvula (7) y el agarradero de la válvula de descarga (2).
7. Colocar el pasador cónico hendido (1) y poner el agarradero de la válvula de descarga en la posición PRIME/SPRAY.

## 12.2 VÁLVULA DE ADMISIÓN Y ESCAPE

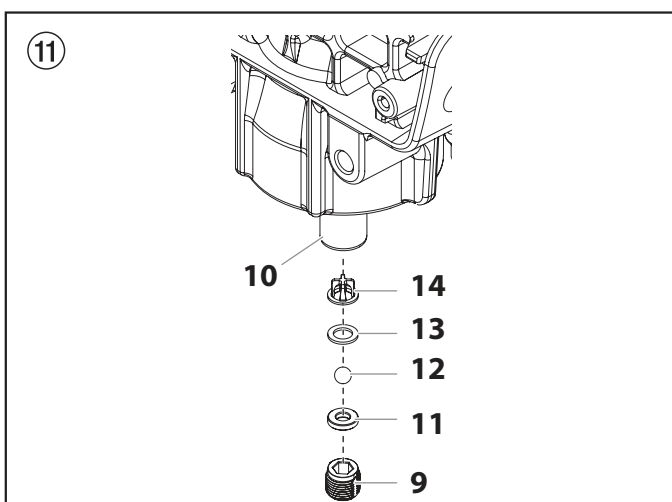
1. Retire el tornillo que fija el regulador de presión a la parte inferior del regulador de presión. Retire el regulador. Desenroscar los tres tornillos de la tapa frontal, quitar la tapa frontal

	Peligro de contusión – No meter la mano o alguna herramienta entre las piezas que están en movimiento.
---	--

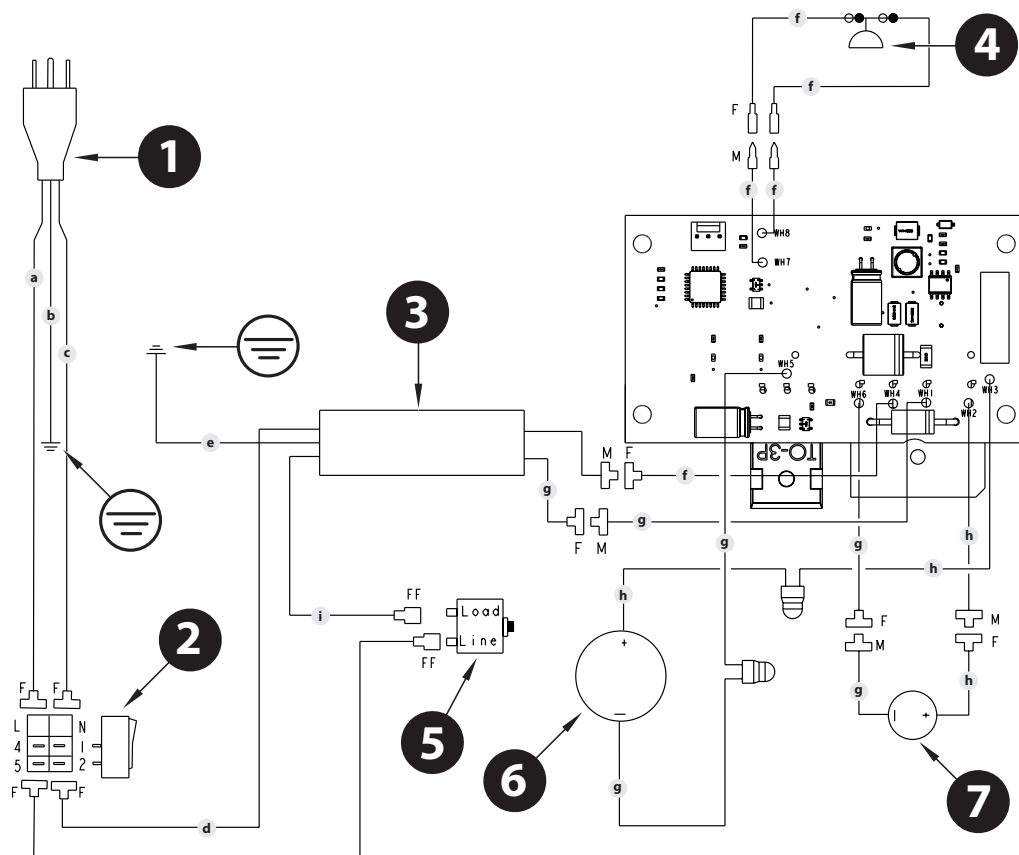
2. Conectar (ON) y desconectar (OFF) el equipo, de modo que la pistón articulada quede en posición de carrera inferior.
3. Extraer la clavija de red de la caja de enchufe.
4. Quitar la grapa de sujeción del codo de empalme en la manguera de aspiración, extraer la manguera de aspiración.



5. Desenroscar la manguera de retorno.
6. Girar el equipo en 90° hacia atrás para permitir trabajar más fácilmente en la bomba de transporte de material.
7. Retire el sujetador del vástago impulsor y deslice la carcasa del vástago impulsor (7) desde la carcasa de la válvula de entrada (1).
8. Desenroscar la caja de válvula de admisión (Fig. 10, Pos. 1) de la caja de escala cromática.
9. Desmontar la guía de bola inferior (6), la junta inferior (5), la bola de válvula de admisión (4), el encaje de válvula de admisión (3) y el anillo tórico (8).
10. Limpiar todas las piezas con agente limpiador apropiado.  
Comprobar el desgaste de la caja de válvula de admisión (1), el encaje de válvula de admisión (3) y la bola de válvula de admisión (4), sustituir las si es necesario.
11. Desenroscar la caja de válvula de escape (Fig. 11, Pos. 9) del pistón (10) con llave ajustable por rodillo sin fin.
12. Desmontar la guía de bola superior (14), arandela (13), la bola de válvula de escape (12) y el encaje de válvula de escape (11).
13. 13. Limpiar todas las piezas con agente limpiador apropiado. Comprobar el desgaste de la caja de válvula de escape (9), el encaje de válvula de escape (11), la bola de válvula de escape (12) y la guía de bola superior (14), y sustituir si es necesario.
14. Realizar el montaje en orden inverso. Asegúrese de que el retén de la válvula de salida (9) se vuelva a instalar con el "borde" sin rosca hacia arriba en el pistón. Untar el anillo tórico (Fig. 10, Pos. 8) con grasa de máquinas y prestar atención al asiento correcto en la caja de válvula de admisión (Fig. 10, Pos. 1).



**12.3 ESQUEMA ELÉCTRICO PROSPRAY 3.20**



Con filtro de EMI (3)	
Pos.	Descripción
1	Clavija de red
2	Interruptor
3	Filtro de interferencia electromagnética (EMI)
4	Interruptor de presión
5	Interruptor protector de sobrecarga
6	Motor
7	Condensadores

Pos.	Descripción
a	Negro / marrón
b	Verde
c	Blanco / azul
d	Azul
e	Verde / amarillo
f	Blanco
g	Negro
h	Rojo
i	Marrón

## 13 APÉNDICE

### 13.1 SELECCIÓN DE BOQUILLAS

La selección de la boquilla es muy importante para obtener un funcionamiento racionalizado correcto.

En muchos casos, la boquilla correcta se puede determinar únicamente mediante un ensayo de pulverización.

#### ALGUNAS REGLAS AL RESPECTO:

El chorro de pulverizado debe ser uniforme.

Si se presentan franjas en el chorro de pulverizado, la presión de pulverización es muy escasa o la viscosidad del material de recubrimiento demasiado alta.

**Remedio:** Elevar la presión o diluir el material de recubrimiento. Cada bomba rinde una determinada cantidad de transporte en relación al tamaño de la boquilla:

**Rige fundamentalmente:** boquilla grande = presión baja  
boquilla pequeña = presión alta

Hay disponible un surtido grande de boquillas para diversos ángulos de pulverización.

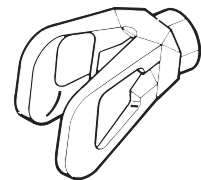
### 13.3 ACCESORIOS DE PISTOLA DE PULVERIZACIÓN



**Boquilla de ajuste del chorro en abanico**  
hasta 250 bar (25 MPa)

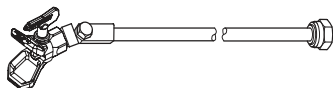
Marcación de boquilla	Orificio mm	Ancho del pulverizado a unos 30 cm de distancia con en abancio al objeto chorro de pulverización, presión 100 bar (10 MPa)	Utilización	Boquilla de ajuste del chorro en abancio Nº de ped
15	0,13 - 0,46	5 - 35 cm	Lacas	<b>0999 057</b>
20	0,18 - 0,48	5 - 50 cm	Lacas, rellenos	<b>0999 053</b>
28	0,28 - 0,66	8 - 55 cm	Lacas, pinturas de dispersión	<b>0999 054</b>
41	0,43 - 0,88	10 - 60 cm	Pinturas antioxidantes-Pinturas de dispersión	<b>0999 055</b>
49	0,53 - 1,37	10 - 40 cm	Pinturas para-superficies grandes	<b>0999 056</b>

**Protección contra contactos**  
para la boquilla de ajuste del chorro en abanico



Nº. de ped **0097 294**

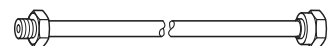
#### Prolongación de boquilla con articulación acodada ebatible (sin boquilla)



Longitud: 100 cm Nº de ped. **0096 015**  
Longitud: 200 cm Nº de ped. **0096 016**  
Longitud: 300 cm Nº de ped. **0096 017**

#### Prolongación de boquilla

15 cm, F-thread, Nº de ped. **0556 051**  
30 cm, F-thread, Nº de ped. **0556 052**  
45 cm, F-thread, Nº de ped. **0556 053**  
60 cm, F-thread, Nº de ped. **0556 054**

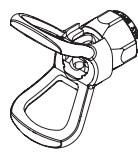


15 cm, G-thread, Nº de ped. **0556 074**  
30 cm, G-thread, Nº de ped. **0556 075**  
45 cm, G-thread, Nº de ped. **0556 076**  
60 cm, G-thread, Nº de ped. **0556 077**

**13.4 TABLA DE BOQUILLAS AIRLESS**



**Wagner TradeTip 3 boquilla**  
hasta 270 bar  
(27 MPa)



Sin boquilla  
rosca F (11/16 - 16 UN) para  
pistolas de pulverización  
Wagner  
**Nº de ped. 0289391**

Sin boquilla  
rosca G (7/8 - 14 UNF)  
para pistolas de pulverización Graco/Titan  
**Nº de ped. 0289390**



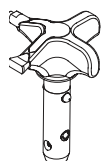
Todas las boquillas de la siguiente tabla se entregan conjuntamente con el filtro de pistola adecuado.

Aplicación	Marcación de boquilla	Ángulo de pulverización	Orificio inch / mm	Ancho mm <sup>1)</sup>	Filtro de pistola	Nº de ped.
<b>Lacas y esmaltes diluibles en agua y con contenido de disolvente, aceites, agentes separadores</b>	107	10°	0,007 / 0,18	100	rojo	0553107
	207	20°	0,007 / 0,18	120	rojo	0553207
	307	30°	0,007 / 0,18	150	rojo	0553307
	407	40°	0,007 / 0,18	190	rojo	0553407
	109	10°	0,009 / 0,23	100	rojo	0553109
	209	20°	0,009 / 0,23	120	rojo	0553209
	309	30°	0,009 / 0,23	150	rojo	0553309
	409	40°	0,009 / 0,23	190	rojo	0553409
	509	50°	0,009 / 0,23	225	rojo	0553509
	609	60°	0,009 / 0,23	270	rojo	0553609
<b>Lacas de resina sintética Lacas PVC</b>	111	10°	0,011 / 0,28	100	rojo	0553111
	211	20°	0,011 / 0,28	120	rojo	0553211
	311	30°	0,011 / 0,28	150	rojo	0553311
	411	40°	0,011 / 0,28	190	rojo	0553411
	511	50°	0,011 / 0,28	225	rojo	0553511
	611	60°	0,011 / 0,28	270	rojo	0553611
<b>Lacas, lacas previas Lacas de fondo Rellenos</b>	113	10°	0,013 / 0,33	100	rojo	0553113
	213	20°	0,013 / 0,33	120	rojo	0553213
	313	30°	0,013 / 0,33	150	rojo	0553313
	413	40°	0,013 / 0,33	190	rojo	0553413
	513	50°	0,013 / 0,33	225	rojo	0553513
	613	60°	0,013 / 0,33	270	rojo	0553613
	813	80°	0,013 / 0,33	330	rojo	0553813
<b>Rellenos Pinturas antioxidantes</b>	115	10°	0,015 / 0,38	100	amarillo	0553115
	215	20°	0,015 / 0,38	120	amarillo	0553215
	315	30°	0,015 / 0,38	150	amarillo	0553315
	415	40°	0,015 / 0,38	190	amarillo	0553415
	515	50°	0,015 / 0,38	225	amarillo	0553515
	615	60°	0,015 / 0,38	270	amarillo	0553615
	715	70°	0,015 / 0,38	300	amarillo	0553715
	815	80°	0,015 / 0,38	330	amarillo	0553815
<b>Pinturas antioxidantes Pinturas látex Pinturas de dispersión</b>	117	10°	0,017 / 0,43	100	blanco	0553117
	217	20°	0,017 / 0,43	120	blanco	0553217
	317	30°	0,017 / 0,43	150	blanco	0553317
	417	40°	0,017 / 0,43	190	blanco	0553417
	517	50°	0,017 / 0,43	225	blanco	0553517
	617	60°	0,017 / 0,43	270	blanco	0553617
	717	70°	0,017 / 0,43	300	blanco	0553717
	817	80°	0,017 / 0,43	330	blanco	0553817
<b>Pinturas antioxidantes Pinturas látex Pinturas de dispersión</b>	219	20°	0,019 / 0,48	120	blanco	0553219
	319	30°	0,019 / 0,48	150	blanco	0553319
	419	40°	0,019 / 0,48	190	blanco	0553419
	519	50°	0,019 / 0,48	225	blanco	0553519
	619	60°	0,019 / 0,48	270	blanco	0553619
	719	70°	0,019 / 0,48	300	blanco	0553719
	819	80°	0,019 / 0,48	330	blanco	0553819
	919	90°	0,019 / 0,48	385	blanco	0553919
	<b>Protección contra incendios</b>	221	20°	0,021 / 0,53	120	blanco
321		30°	0,021 / 0,53	150	blanco	0553321
421		40°	0,021 / 0,53	190	blanco	0553421
521		50°	0,021 / 0,53	225	blanco	0553521
621		60°	0,021 / 0,53	270	blanco	0553621
721		70°	0,021 / 0,53	300	blanco	0553721
821		80°	0,021 / 0,53	330	blanco	0553821

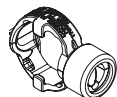
Aplicación	Marcación de boquilla	Ángulo de pulverización	Orificio inch / mm	Ancho mm <sup>1)</sup>	Filtro de pistola	Nº de ped.
<b>Recubrimiento de tejados</b>	223	20°	0,023 / 0,58	120	blanco	0553223
	323	30°	0,023 / 0,58	150	blanco	0553323
	423	40°	0,023 / 0,58	190	blanco	0553423
	523	50°	0,023 / 0,58	225	blanco	0553523
	623	60°	0,023 / 0,58	270	blanco	0553623
	723	70°	0,023 / 0,58	300	blanco	0553723
	823	80°	0,023 / 0,58	330	blanco	0553823
<b>Materiales de capa gruesa, protección anticorrosiva, masilla de pistola</b>	225	20°	0,025 / 0,64	120	blanco	0553225
	325	30°	0,025 / 0,64	150	blanco	0553325
	425	40°	0,025 / 0,64	190	blanco	0553425
	525	50°	0,025 / 0,64	225	blanco	0553525
	625	60°	0,025 / 0,64	270	blanco	0553625
	725	70°	0,025 / 0,64	300	blanco	0553725
	825	80°	0,025 / 0,64	330	blanco	0553825
	227	20°	0,027 / 0,69	120	blanco	0553227
	327	30°	0,027 / 0,69	150	blanco	0553327
	427	40°	0,027 / 0,69	190	blanco	0553427
	527	50°	0,027 / 0,69	225	blanco	0553527
	627	60°	0,027 / 0,69	270	blanco	0553627
	827	80°	0,027 / 0,69	330	blanco	0553827
	229	20°	0,029 / 0,75	120	blanco	0553229
	329	30°	0,029 / 0,75	150	blanco	0553329
	429	40°	0,029 / 0,75	190	blanco	0553429
	529	50°	0,029 / 0,75	225	blanco	0553529
	629	60°	0,029 / 0,75	270	blanco	0553629
	231	20°	0,031 / 0,79	120	blanco	0553231
	331	30°	0,031 / 0,79	150	blanco	0553331
	431	40°	0,031 / 0,79	190	blanco	0553431
	531	50°	0,031 / 0,79	225	blanco	0553531
	631	60°	0,031 / 0,79	270	blanco	0553631
	731	70°	0,031 / 0,79	300	blanco	0553731
	831	80°	0,031 / 0,79	330	blanco	0553831
	233	20°	0,033 / 0,83	120	blanco	0553233
	333	30°	0,033 / 0,83	150	blanco	0553333
	433	40°	0,033 / 0,83	190	blanco	0553433
	533	50°	0,033 / 0,83	225	blanco	0553533
	633	60°	0,033 / 0,83	270	blanco	0553633
	235	20°	0,035 / 0,90	120	blanco	0553235
	335	30°	0,035 / 0,90	150	blanco	0553335
	435	40°	0,035 / 0,90	190	blanco	0553435
535	50°	0,035 / 0,90	225	blanco	0553535	
635	60°	0,035 / 0,90	270	blanco	0553635	
735	70°	0,035 / 0,90	300	blanco	0553735	
439	40°	0,039 / 0,99	190	blanco	0553439	
539	50°	0,039 / 0,99	225	blanco	0553539	
639	60°	0,039 / 0,99	270	blanco	0553639	
<b>Aplicaciones pesadas</b>	243	20°	0,043 / 1,10	120	verde	0553243
	443	40°	0,043 / 1,10	190	verde	0553443
	543	50°	0,043 / 1,10	225	verde	0553543
	643	60°	0,043 / 1,10	270	verde	0553643
	445	40°	0,045 / 1,14	190	verde	0553445
	545	50°	0,045 / 1,14	225	verde	0553545
	645	60°	0,045 / 1,14	270	verde	0553645
	451	40°	0,051 / 1,30	190	verde	0553451
	551	50°	0,051 / 1,30	225	verde	0553551
	651	60°	0,051 / 1,30	270	verde	0553651
	252	20°	0,052 / 1,32	120	verde	0553252
	455	40°	0,055 / 1,40	190	verde	0553455
	555	50°	0,055 / 1,40	225	verde	0553555
	655	60°	0,055 / 1,40	270	verde	0553655
	261	20°	0,061 / 1,55	120	verde	0553261
	461	40°	0,061 / 1,55	190	verde	0553461
	561	50°	0,061 / 1,55	225	verde	0553561
	661	60°	0,061 / 1,55	270	verde	0553661
	263	20°	0,063 / 1,60	120	verde	0553263
	463	40°	0,063 / 1,60	190	verde	0553463
	565	50°	0,065 / 1,65	225	verde	0553565
	665	60°	0,065 / 1,65	270	verde	0553665
	267	20°	0,067 / 1,70	120	verde	0553267
467	40°	0,067 / 1,70	190	verde	0553467	

1)Ancho del pulverizado a unos 30cm de distancia al objeto de pulverización y a una presión de 100bar (10MPa) con laca de resina sintética, 20 segundos DIN.

### 13.5 TABLA DE BOQUILLAS 2SPEED TIP



La innovadora boquilla dispone de dos pasos de boquilla en una.



2 Speed Tip soporte  
Nº de ped. 0271065

#### Tabla de boquillas

Paso de boquilla	Aplicación		
	Lacas (L)	Dispersion (D)	Masilla / Relleno (S)
Pequeño		D5 Boquilla: 111 / 415 Nº de ped. 0271 062	S5 Boquilla: 225 / 629 Nº de ped. 0271 064
		D7 Boquilla: 113 / 417 Nº de ped. 0271 063	
	L10 Boquilla: 208 / 510 Nº de ped. 0271 042	D10 Boquilla: 111 / 419 Nº de ped. 0271 045	S10 Boquilla: 527 / 235 Nº de ped. 0271 049
Mediano	L20 Boquilla: 210 / 512 Nº de ped. 0271 043	D20 Boquilla: 115 / 421 Nº de ped. 0271 046	S20 Boquilla: 539 / 243 Nº de ped. 0271 050
Grande	L30 Boquilla: 212 / 514 Nº de ped. 0271 044	D30 Boquilla: 115 / 423 Nº de ped. 0271 047	S30 Boquilla: 543 / 252 Nº de ped. 0271 051
Muy grande		D40 Boquilla: 117 / 427 Nº de ped. 0271 048	
Filtro pistola recomendado	rojo	blanco	-



## 13.6 CAJA DE BOQUILLA

Las cajas de boquillas son una extensión perfecta para el equipo pulverizado de pintura y permiten guardar de forma segura todos los útiles que se necesitan para un proyecto específico. Adaptación idea para todo tipo de aplicación. Disponible en cuatro versiones distintas.

	<b>Nº de Art.</b>
<b>1 Maletín HEA ProTip dispersiones</b>	<b>2391870</b>
• 3x filtro pistola blanco; 50 MA; 0,31 mm MW; medio	0034 377
• 1x filtro pistola rojo; 180 MA; 0,084 mm MW; extra fine	0043 235
• Prolongación boquilla cpl. 15 cm G-rosca	0556 074
• HEA ProTip 311	0554 311
• HEA ProTip 421	0554 421
• HEA ProTip 517	0554 517
• HEA ProTip 519	0554 519
<b>2 Maletín TradeTip 3 lacas</b>	<b>2391871</b>
• 3x filtro pistola rojo; 180 MA; 0,084 mm MW; extra fine	0034 383
• Prolongación boquilla cpl. 15 cm G-rosca	0556 074
• Boquilla TradeTip 3 FineFinish 308	0554 308
• Boquilla TradeTip 3 FineFinish 410	0554 410
• Boquilla TradeTip 3 FineFinish 412	0554 412
• Boquilla TradeTip 3 FineFinish 510	0554 510
<b>3 Maletín dispersiones 2SpeedTip</b>	<b>2391872</b>
• 3x filtro pistola blanco; 50 MA; 0,31 mm MW; medio	0034 377
• 1x filtro pistola rojo; 180 MA; 0,084 mm MW; extra fine	0043 235
• Prolongación boquilla cpl. 15 cm G-rosca	0556 074
• HEA ProTip 311	0554 311
• Boquilla 2SpeedTip D10 111/419	0271 045
• Boquilla 2SpeedTip D20 115/421	0271 046
• Boquilla 2SpeedTip D30 115/423	0271 047
<b>4 Maletín boquillas lacas 2SpeedTip</b>	<b>2391873</b>
• 4x filtro pistola rojo; 180 MA; 0,084 mm MW; extra fine	0034 383
• Prolongación boquilla cpl. 15 cm G-rosca	0556 074
• Boquilla TradeTip 3 FineFinish 308	0554 308
• Boquilla TradeTip 3 FineFinish 410	0554 410
• Boquilla 2SpeedTip L20 210/512	0271 043
• Boquilla 2SpeedTip L30 212/514	0271 044

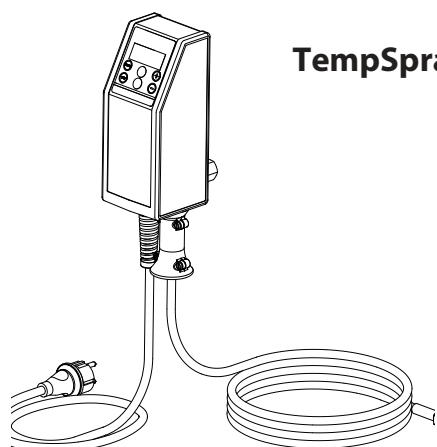
### 13.7 TEMPSPRAY

El material de pintura se calienta a la temperatura requerida de manera uniforme mediante un elemento de calentamiento eléctrico que se encuentra dentro de la manguera (regulado de 20° C a 60° C).

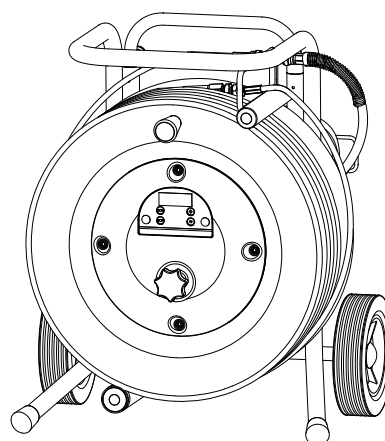
**Ventajas:**

- Temperatura de pintura constante incluso a bajas temperaturas exteriores.
- Funcionamiento considerablemente mejor con materiales de recubrimiento de alta viscosidad.
- Mayor rendimiento de aplicación.
- Ahorro en solventes debido a la reducción en la viscosidad.
- Se adapta a todas las unidades airless.

Nº de ped.	Denominación
2311659 2311852	<b>TempSpray H 126 (ideal para trabajos de lacado)</b> Unidad básica de 1/4", con manguera de acero inoxidable, DN6, de 1/4", 10 m Sprayback se compone de: Unidad básica (2311659), pistola Airless Vector Grip (modelo G) incluye soporte de boquilla Trade Tip 3 y 2SpeedTip L10 (208/510)
2311660 2311853	<b>TempSpray H 226 (ideal para dispersiones/materiales de alta viscosidad)</b> Unidad básica de 1/4" con carrete de la manguera, manguera calentada DN10, de 15 m, manguera DN4 de 1/4", 1 m Sprayback se compone de: Unidad básica (2311660), pistola Airless Vector Grip (modelo G) incluye soporte de boquilla Trade Tip 3 y 2SpeedTip D10 (111/419)
2311661 2311854	<b>TempSpray H 326 (ideal para dispersiones/materiales de alta viscosidad)</b> Unidad básica de 1/4" con carrete de la manguera, manguera calentada DN10 de 30 m, manguera DN4 de 1/4", 1 m Sprayback se compone de: Unidad básica (2311661), pistola Airless Vector Grip (modelo G) incluye soporte de boquilla Trade Tip 3 y 2SpeedTip D20 (115/421)



**TempSpray H 126**



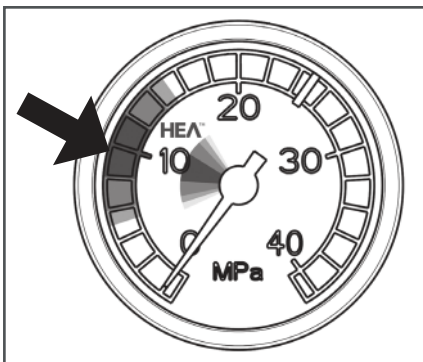
**TempSpray H 226**  
**TempSpray H 326**



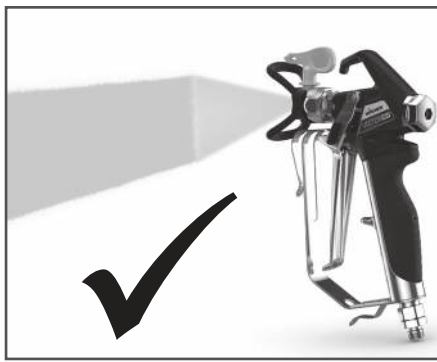
### 13.8 HEA - BOQUILLAS PARA PULVERIZACIÓN CON POCA NIEBLA CON BAJA PRESIÓN

HEA son las siglas de «High Efficiency Airless», una innovadora tecnología de boquillas que ha revolucionado la pulverización Airless. Las boquillas HEA permiten reducir de forma notable la presión del dispositivo de pulverización y trabajar en un área de baja presión (preferiblemente, entre 80 y 140 bar). Para ello, se pueden utilizar las boquillas con todos los soporte para boquillas TradeTip 3 y los dispositivo WAGNER.

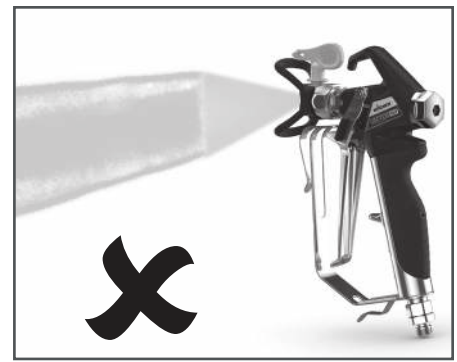
Para lograr un resultado óptimo, muchas pinturas puede llegar a ser necesario diluirlas. Por lo general, el material se puede diluir en hasta un 10 % (debe prestar atención a las instrucciones del fabricante del material).



Configure la baja presión en el área HEA y comience.




Patrón de pulverización uniforme sin bordes marcados.



En los bordes visibles, aumente poco a poco la presión.

#### Tabla de boquillas HEA

 Todas las boquillas de la siguiente tabla se entregan conjuntamente con el filtro de pistola adecuado.

Aplicación	Marcación de boquilla	Ángulo de pulverización	Orificio inch / mm	Ancho mm <sup>1)</sup>	Filtro de pistola	Nº de ped.
Lacas de resina sintética Lacas PVC	211	20°	0,011 / 0,28	120	rojo	0554211
	311	30°	0,011 / 0,28	150	rojo	0554311
	411	40°	0,011 / 0,28	190	rojo	0554411
Lacas, lacas previas Lacas de fondo, Rellenos	213	20°	0,013 / 0,33	120	rojo	0554213
	313	30°	0,013 / 0,33	150	rojo	0554313
	413	40°	0,013 / 0,33	190	rojo	0554413
Rellenos Pinturas antioxidantes	415	40°	0,015 / 0,38	190	amarillo	0554415
	515	50°	0,015 / 0,38	225	amarillo	0554515
	615	60°	0,015 / 0,38	270	amarillo	0554615
Pinturas antioxidantes Pinturas látex Pinturas de dispersión	417	40°	0,017 / 0,43	190	blanco	0554417
	517	50°	0,017 / 0,43	225	blanco	0554517
	617	60°	0,017 / 0,43	270	blanco	0554617
Pinturas antioxidantes Pinturas látex Pinturas de dispersión	519	50°	0,019 / 0,48	225	blanco	0554519
	619	60°	0,019 / 0,48	270	blanco	0554619
Protección contra incendios	421	40°	0,021 / 0,53	190	blanco	0554421
	521	50°	0,021 / 0,53	225	blanco	0554521
	621	60°	0,021 / 0,53	270	blanco	0554621

<sup>1)</sup>Ancho del pulverizado a unos 30cm de distancia al objeto de pulverización y a una presión de 100bar (10MPa) con laca de resina sintética, 20 segundos DIN.

## COMPROBACIÓN DEL EQUIPO

Por motivos de seguridad le recomendamos que un experto compruebe el equipo según sea necesario pero como muy tarde cada 12 meses para verificar si se sigue garantizando un servicio seguro.

En equipos retirados del servicio la verificación se puede aplazar hasta la próxima puesta en funcionamiento.

También hay que observar todas las disposiciones de control y mantenimiento nacionales (que eventualmente pueden divergir).

En caso de preguntas diríjase al servicio de atención al cliente de Wagner.

## INDICACIÓN IMPORTANTE RESPECTO A LA GARANTÍA DEL PRODUCTO

En base a un Reglamento europeo, el fabricante solo responde de forma ilimitada de su producto si todos los componentes proceden del fabricante o han sido aprobados por éste y si los aparatos son montados y utilizados correctamente. En caso de utilizar accesorios y repuestos de otros fabricantes, la responsabilidad puede quedar extinguida completa o parcialmente si el uso de los accesorios o repuestos de otros fabricantes causa un fallo en el producto. En casos extremos, las autoridades competentes puede prohibir el uso del aparato completo.

Con los accesorios y piezas de recambio originales de WAGNER tiene usted la garantía de que todas las normas de seguridad se cumplen.

## ADVERTENCIA PARA LA ELIMINACIÓN DE DESECHOS

Según la directiva europea 2012/19/UE respecto a la eliminación de equipos eléctricos viejos, y su transformación a la legislación nacional, ¡este producto no deberá desecharse junto con la basura doméstica, sino que tiene que llevarse a un centro de eliminación de desechos acorde con el medio ambiente!



Nosotros o nuestras representaciones comerciales recibirán de vuelta su equipo WAGNER viejo para su eliminación acorde con el medio ambiente. Diríjase en este caso a una de nuestras oficinas de servicio posventa, o directamente a nosotros.

## DECLARACIÓN DE GARANTÍA

(situación 01.02.2009)

### 1. Volumen de garantía

Todos los equipos de aplicación de pintura profesionales de Wagner (denominados en lo sucesivo como „productos“) son comprobados y ensayados cuidadosamente y están sujetos a los controles estrictos del departamento de Aseguramiento de la calidad de Wagner. En consecuencia, Wagner ofrece, únicamente para el usuario comercial o profesional que haya adquirido el producto a un distribuidor autorizado (denominado en lo sucesivo como „cliente“), una garantía amplia para los productos listados en Internet bajo [www.wagner-group.com/profi-guarantee](http://www.wagner-group.com/profi-guarantee).

Esta garantía no limita las reclamaciones de responsabilidad por vicios del cliente resultantes del contrato de compraventa con el vendedor, así como los derechos legales.

Prestamos la garantía en la forma en que, según nuestro criterio, procedamos a sustituir o reparar el producto o componentes del mismo o aceptar la devolución del equipo restituyendo su precio de compra. Los costes correspondientes al material y al tiempo de trabajo serán soportados por nuestra empresa. Los productos o piezas sustituidos pasan a ser de nuestra propiedad.

### 2. Plazo de garantía y registro

El plazo de garantía es de 36 meses; en caso de uso industrial o una sollicitación equivalente, particularmente con régimen de varios turnos o arrendamiento, se reducirá a 12 meses.

Asimismo, concedemos una garantía de 12 meses para los accionamientos que funcionen con gasolina o aire.

El plazo de garantía se inicia el día de la entrega por el distribuidor autorizado. Lo determinante es la fecha en el justificante de compra original.

Para todos los productos adquiridos al distribuidor autorizado a partir del 01.02.2009, el plazo de garantía aumenta en 24 meses si el comprador registra dichos equipos conforme a las disposiciones siguientes en un plazo de 4 semanas desde la fecha de la entrega por el distribuidor autorizado.

El registro se realiza en Internet bajo

[www.wagner-group.com/profi-guarantee](http://www.wagner-group.com/profi-guarantee).

Como confirmación se considera el certificado de garantía, así como el justificante de compra del cual resulta la fecha de compra. El registro sólo es posible si el comprador declara su conformidad con el almacenamiento de sus datos a introducir allí.

La realización de prestaciones bajo garantía no alarga ni renueva el plazo de garantía para el producto.

Al finalizar el plazo de garantía ya no se podrán manifestar reclamaciones en base a la garantía.

### 3. Tramitación

En caso de que, durante el plazo de garantía, se detectaran defectos en el material, el acabado o el rendimiento del equipo, las reclamaciones bajo garantía se deberán manifestar sin demora, pero en plazo máximo de 2 semanas.

El distribuidor autorizado que había entregado el equipo está habilitado para recibir las reclamaciones bajo garantía. No obstante, las reclamaciones bajo garantía también se podrán manifestar en una de las delegaciones de servicio técnico indicadas en el modo de empleo. El producto se deberá enviar con porte pagado o presentar junto con el justificante de compra original que deberá contener la fecha de compra y la denominación del producto. Para solicitar la prolongación de la garantía es necesario adjuntar adicionalmente el certificado de garantía.

Los costes, así como el riesgo de pérdida o daños del producto durante el viaje de ida o vuelta al organismo que recibe las reclamaciones bajo garantía o vuelve a entregar el producto reparado correrán a cargo del cliente.

### 4. Exclusión de garantía

No se podrán aceptar reclamaciones bajo garantía

- para elementos sujetos a un desgaste debido al uso u otro desgaste natural, así como defectos en el producto que sean debidos a un desgaste debido al uso u otro desgaste natural. Estos elementos son, en particular, cables, válvulas, empaquetaduras, boquillas, cilindros, émbolos, partes de la caja que conduzcan el medio, filtros, mangueras, juntas, rotores, estatores, etc. Daños por desgaste son causados, en particular, por materiales de recubrimiento abrasivos, tales como dispersiones, enlucidos, masilla, adhesivos, esmaltes e imprimaciones a base de cuarzo.
- en caso de fallos en equipos que sean debidos al incumplimiento de indicaciones para el uso, un uso inadecuado o incorrecto, montaje o puesta en servicio incorrectos por el comprador o terceros, uso no conforme a lo previsto, condiciones ambientales anormales, uso de materiales de recubrimiento inadecuados, influencias químicas, electroquímicas o eléctricas, condiciones de servicio inadecuadas, uso con una tensión/frecuencia de red incorrecta, sobrecarga o falta de mantenimiento, conservación o limpieza.
- en caso de fallos en el equipo causados por el uso de accesorios, complementos o repuestos que no sean piezas originales de Wagner.
- con productos en los cuales se hayan realizado modificaciones o instalado complementos.
- con productos con el número de serie eliminado o ilegible
- con productos en los cuales se hayan realizado intentos de reparación por personas no autorizadas.
- con productos con desviaciones ligeras de las características nominales que no tengan importancia para el valor y la capacidad de uso del equipo.
- con productos que hayan sido desmontados parcialmente o por completo.

### 5. Regulaciones complementarias

Las citadas garantías son válidas únicamente para productos que hayan sido adquiridos en el territorio de la UE, la CEI o Australia a un distribuidor autorizado y sean utilizados dentro del país de la compra.

En caso de que resultara de nuestra comprobación que la reclamación no está cubierta por la garantía, la reparación se efectuará a cargo del comprador.

Las disposiciones anteriores regulan de forma concluyente las relaciones jurídicas con nuestra empresa. Queda excluida toda reclamación ulterior, particularmente en caso de daños y pérdidas de cualquier tipo que hayan sido causados por el producto o su uso, excepto dentro del marco de aplicación de la Ley sobre la responsabilidad por productos defectuosos.

Esta estipulación no afecta a las reclamaciones de responsabilidad por productos defectuosos frente al distribuidor.

La presente garantía se rige por el derecho alemán. El idioma contractual es el alemán. En caso de divergencia en el significado del texto alemán de esta garantía y el texto en un idioma extranjero prevalecerá el significado de la versión alemana.

J. Wagner GmbH  
Division Professional Finishing  
Otto Lilienthal Strasse 18  
88677 Markdorf  
República Federal de Alemania

Modificaciones reservadas · Impreso en Alemania

### Declaración UE de conformidad

Mediante la presente garantizamos, bajo nuestra exclusiva responsabilidad, que este producto cumple con las correspondientes disposiciones:

2006/42/CE, 2014/30/UE, 2011/65/UE, 2012/19/UE

Normas armonizadas aplicadas:  
EN 62841-1, EN 1953, EN 55014-1, EN 55014-2,  
EN 61000-3-2, EN 61000-3-3

El producto viene acompañado de la declaración UE de conformidad. Si lo necesita, puede pedirla adicionalmente por el número de pedido **2385803**.

**Tradução do manual original**

<b>1</b>	<b>INSTRUÇÕES GERAIS DE SEGURANÇA</b>	<b>57</b>	<b>12</b>	<b>REPARAÇÕES NA UNIDADE</b>	<b>71</b>
			12.1	Válvula de descarga	71
<b>2</b>	<b>NORMAS DE SEGURANÇA PARA A PULVERIZAÇÃO AIRLESS</b>	<b>58</b>	12.2	Válvula de admissão e válvula de escape	72
			12.3	Diagrama de conexão ProSpray 3.20	73
<b>3</b>	<b>VISÃO GERAL DA APLICAÇÃO</b>	<b>61</b>	<b>13</b>	<b>APÊNDICE</b>	<b>74</b>
3.1	Aplicação	61	13.1	Seleção do bico	74
3.2	Materiais de revestimento	61	13.2	Manutenção e limpeza dos bicos de metal duro Airless	74
<b>4</b>	<b>DESCRIÇÃO DA UNIDADE</b>	<b>62</b>	13.3	Acessórios da pistola de pulverização	74
4.1	Processo Airless	62	13.4	Quadro dos bicos Airless	75
4.2	Funcionamento da unidade	62	13.5	Quadro dos bicos 2Speed Tip	77
4.3	Legenda para o diagrama explanatório ProSpray 3.20	63	13.6	Caixas de bicos	78
4.4	Diagrama explanatório ProSpray 3.20	63	13.7	TempSpray	79
4.5	Dados técnicos	64	13.8	Bicos HEA para uma pulverização sem névoa com baixa pressão	80
4.6	Transporte num veículo	64			
<b>5</b>	<b>COLOCAÇÃO EM FUNCIONAMENTO</b>	<b>64</b>		<b>VERIFICAÇÃO DO APARELHO</b>	<b>81</b>
5.1	Tubo flexível de alta pressão, pistola de pulverização e óleo de separação	64		<b>CONSELHOS IMPORTANTES SOBRE A RESPONSABILIDADE DO PRODUTO</b>	<b>81</b>
5.2	Ligação à rede de alimentação	65		<b>OBSERVAÇÃO SOBRE A INUTILIZAÇÃO/ELIMINAÇÃO</b>	<b>81</b>
5.3	Limpeza de agentes de conservação no arranque inicial	65		<b>DECLARAÇÃO DE GARANTIA</b>	<b>81</b>
5.4	Colocar a unidade em funcionamento com material de revestimento	65		<b>DECLARAÇÃO DE CONFORMIDADE UE</b>	<b>82</b>
<b>6</b>	<b>TÉCNICA DE PULVERIZAÇÃO</b>	<b>66</b>		<b>ACESSÓRIOS</b>	<b>84</b>
				Acessórios para ProSpray 3.20	84
<b>7</b>	<b>MANUSEAR O TUBO FLEXÍVEL DE ALTA PRESSÃO</b>	<b>67</b>		<b>PEÇAS SOBRESSELENTES</b>	<b>86</b>
				Lista das peças sobresselentes para o conjunto principal	86
<b>8</b>	<b>INTERRUPÇÃO DO TRABALHO</b>	<b>67</b>		Lista das peças sobresselentes para o sistema de sucção	87
				Lista das peças sobresselentes da estrutura	88
<b>9</b>	<b>LIMPAR A UNIDADE (FORA DE SERVIÇO)</b>	<b>68</b>		<b>EMPRESAS DE VENDAS E DE ASSISTÊNCIA</b>	<b>92</b>
9.1	Limpar a unidade por fora	68			
9.2	Filtro de sucção	68			
9.3	Limpar o filtro de alta pressão	69			
9.4	Limpar a pistola de pulverização Airless	69			
<b>10</b>	<b>SOLUÇÃO EM CASO DE FALHAS</b>	<b>70</b>			
<b>11</b>	<b>MANUTENÇÃO</b>	<b>71</b>			
11.1	Manutenção geral	71			
11.2	Tubo flexível de alta pressão	71			



# 1 INSTRUÇÕES GERAIS DE SEGURANÇA

## Atenção!



**Consulte todas as instruções de segurança, indicações, imagens e dados técnicos fornecidos em conjunto com esta ferramenta eléctrica.** O não cumprimento das seguintes indicações pode resultar em choque eléctrico, incêndio e/ou lesões graves. **Guarde todas as instruções e indicações de segurança para utilização futura.** O termo "ferramenta eléctrica", utilizado nas indicações de segurança, abrange ferramentas alimentadas por corrente eléctrica (com cabo de alimentação) e ferramentas eléctricas a bateria (sem cabo de alimentação).

## 1. Segurança no posto de trabalho

- a) **Mantenha o seu posto de trabalho limpo e bem iluminado.** Desordem ou zonas de trabalho mal iluminadas podem provocar a ocorrência de acidentes.
- b) **Não trabalhe com a ferramenta eléctrica em ambientes explosivos, nos quais se encontrem líquidos, gases ou pós inflamáveis.** As ferramentas eléctricas provocam faíscas que podem inflamar as poeiras ou os vapores.
- c) **Mantenha as crianças e outras pessoas afastadas durante a utilização desta ferramenta eléctrica.** Em caso de distração, pode perder o controlo sobre a ferramenta eléctrica.

## 2. Segurança eléctrica

- a) **A ficha da ferramenta eléctrica deve adequar-se à tomada na qual é utilizada. A ficha não pode ser alterada de modo nenhum. Não utilize qualquer adaptador eléctrico em ferramentas eléctricas com terra de proteção.** As fichas inalteradas e as tomadas apropriadas diminuem o risco de choque eléctrico.
- b) **Evite o contacto físico com superfícies ligadas à terra, tais como tubos, aquecedores, fogões e frigoríficos.** Há um maior risco de choque eléctrico se o seu corpo estiver em ligação à terra.
- c) **Mantenha a ferramenta eléctrica afastada de chuva ou humidade.** A infiltração de água numa ferramenta eléctrica aumenta o risco de um choque eléctrico.
- d) **Utilize o cabo de alimentação de forma adequada e não o utilize para suportar ou transportar a ferramenta eléctrica, nem para remover a ficha da tomada. Mantenha o cabo de alimentação longe de fontes de calor, óleo, arestas afiadas ou peças em movimento.** Cabos de alimentação danificados ou emaranhados aumentam o risco de um choque eléctrico.
- e) **Caso a utilização da ferramenta eléctrica num ambiente húmido seja inevitável, utilize um disjuntor diferencial.** O uso de um disjuntor diferencial residual evita a

ocorrência de choques eléctricos.

## 3. Segurança pessoal

- a) **Esteja atento e tenha os devidos cuidados ao trabalhar com uma ferramenta eléctrica. Caso se encontre cansado ou sob influência de estupefacientes, álcool ou medicamentos, não utilize a ferramenta eléctrica.** Um momento de descuido durante a utilização da ferramenta eléctrica pode resultar em lesões graves.
- b) **Utilize sempre os equipamentos de segurança pessoal e óculos de protecção.** A utilização dos equipamentos de segurança, tais como máscaras anti-poeira, calçado de segurança anti-derrapante, capacetes de protecção ou protecção para os ouvidos, consoante o tipo de ferramenta eléctrica e a sua finalidade, diminui o risco de ferimentos.
- c) **Evitar uma colocação em funcionamento inadvertida. Assegure-se de que a ferramenta eléctrica se encontra desligada, antes de a ligar à fonte de alimentação e/ou à bateria ou antes de pegar ou transportar a mesma.** Durante o transporte da ferramenta eléctrica, manter o dedo no interruptor ou ligar o equipamento à fonte de alimentação pode resultar num acidente.
- d) **Afaste todas as ferramentas de regulação ou chaves de bocas antes de ligar o aparelho.** Uma ferramenta ou chave que se encontre na parte rotativa da ferramenta eléctrica pode provocar lesões.
- e) **Não sobreestime as suas capacidades. Assegure-se de que está numa posição segura e mantenha sempre o equilíbrio.** Isto permite-lhe controlar melhor a ferramenta em situações imprevistas.
- f) **Utilize roupas apropriadas. Não utilize roupas largas nem jóias. Mantenha o cabelo, as roupas e as luvas afastadas das peças móveis.** As roupas largas, os acessórios e os cabelos compridos podem ser apanhados pelas peças em movimento.
- g) **Não se creia em segurança e não ligue às regras de segurança para as ferramentas eléctricas, mesmo se estiver familiarizado com a ferramenta eléctrica depois de muitas utilizações.** Uma ação efetuada sem cuidado pode causar em frações de segundo ferimentos graves.

## 4. Cuidados a ter no manuseamento e na utilização de ferramentas eléctricas

- a) **Não sobrecarregue a ferramenta eléctrica. Utilize a ferramenta eléctrica adequada ao trabalho a realizar.** Com a ferramenta eléctrica adequada trabalha melhor e com maior segurança em cada fase do trabalho.
- b) **Não utilize ferramentas eléctricas com interruptores avariados.** Uma ferramenta eléctrica que não se consegue ligar ou desligar é perigosa e tem de ser reparada.



- c) **Retire a ficha da tomada e/ou a bateria amovível antes de realizar quaisquer ajustes, mudar os acessórios ou guardar a ferramenta elétrica.** *Estas precauções evitam que a ferramenta elétrica seja acidentalmente ligada.*
- d) **Guarde as ferramentas eléctricas que não estejam a ser utilizadas fora do alcance das crianças. Não deixe este aparelho ser utilizado por pessoas que não estejam familiarizadas com ele ou que não tenham lido estas instruções.** *As ferramentas eléctricas são perigosas se forem utilizadas por pessoas inexperientes.*
- e) **Realize a manutenção da ferramenta eléctrica e dos respetivos acessórios com cuidado. Verifique se as peças móveis do aparelho funcionam de forma adequada e não se encontram presas e se existem peças partidas ou danificadas que afetem o funcionamento correto da ferramenta eléctrica. Solicite a reparação das peças danificadas antes de utilizar a ferramenta eléctrica.** *Muitos acidentes têm origem na má manutenção das ferramentas eléctricas.*
- f) **Utilize a ferramenta eléctrica, os acessórios, as ferramentas intercambiáveis, etc. de acordo com estas instruções e da forma prescrita para este tipo de aparelhos em particular. Tenha em atenção as condições de trabalho e a actividade a executar.** *A utilização de ferramentas eléctricas para outros fins, que não os indicados, pode dar origem a situações perigosas.*
- g) **Mantenha os manípulos e as superfícies de aderência secos, limpos e livre de óleo e lubrificante.** *Manípulos e superfícies de aderência que escorregam não permitem um funcionamento e um controlo seguro da ferramenta eléctrica em situações não previstas.*

## 5. Service


- a) **A ferramenta eléctrica deve apenas ser reparada por pessoal qualificado e com peças de reposição originais.** *Deste modo garante-se que a segurança do aparelho se mantém.*
- b) **Caso o cabo de ligação à rede deste aparelho seja danificado, o mesmo terá de ser substituído pelo fabricante ou pelo respectivo serviço de apoio ao cliente ou por pessoal qualificado para o efeito, de modo a prevenir a ocorrência de acidentes.**

## 2 NORMAS DE SEGURANÇA PARA A PULVERIZAÇÃO AIRLESS


Devem ser respeitadas todas as normativas de seguridade vigentes em cada país.

No que respeita ao manuseamento de aparelhos de pulverização de alta pressão sem ar, as seguintes normas de segurança devem ser observadas.


### 2.1 PONTO DE INFLAMAÇÃO

 <p><b>Perigo</b></p>	<p>Pulverize apenas materiais de revestimento com um ponto de inflamação de 21 °C ou superior sem aquecimento adicional.</p> <p>O ponto de inflamação é a temperatura mais baixa a que os vapores se desenvolvem a partir do material de revestimento. Estes vapores são suficientes para formar uma mistura inflamável no ar que envolve o material de revestimento.</p>
--	---



### 2.2 PROTECÇÃO ANTI-EXPLOÇÃO

 <p><b>Perigo</b></p>	<p>Não utilize o aparelho em locais de trabalho que estejam abrangidos por normas de protecção anti-explosão.</p> <p>O aparelho não está protegido contra explosões.</p> <p>Não opere o aparelho em áreas sujeitas a explosões (zona 0, 1 e 2). Áreas sujeitas a explosões são p. ex. o armazém de tintas e a proximidade do objeto a pulverizar. Colocar o aparelho a, pelo menos, 3 m do objeto a pulverizar.</p>
--	---

### 2.3 PERIGO DE EXPLOÇÃO E INCÊNDIO ATRAVÉS DE FONTES DE CHAMA DURANTE A PULVERIZAÇÃO

 <p><b>Perigo</b></p>	<p>Não poderão existir fontes de ignição na proximidade, como p. ex. fogo aberto, fumar cigarros, charutos ou cachimbos, faíscas, fios incandescentes, superfícies quentes, etc.</p>
--	--


## 2.4 PERIGO DE FERIMENTOS POR JACTO DE PULVERIZAÇÃO

 <p><b>Perigo</b></p>	<p>Atenção: Perigo de ferimentos por injeção! Nunca aponte a pistola de pulverização em direcção a si, outras pessoas ou animais.</p> <p>Utilize a pistola de pulverização só com protecção contra contacto com o jacto de projecção.</p> <p>O jacto de pulverização não pode entrar em contacto com qualquer parte do corpo. Ao trabalhar com pistolas de pulverização sem ar, as elevadas pressões de pulverização podem causar ferimentos muito perigosos. Se o jacto de pulverização entrar em contacto com o operador, o material de revestimento pode ser injectado na pele. Não trate um ferimento provocado por pulverização como um corte inofensivo. Se o ferimento cutâneo tiver sido provocado por materiais de revestimento ou solventes, consulte imediatamente um médico para obter um tratamento rápido e especializado. Informe o médico sobre o material de revestimento ou solvente utilizado.</p>
	

## 2.5 PROTEJA A PISTOLA DE PULVERIZAÇÃO CONTRA UMA UTILIZAÇÃO INADVERTIDA

Na montagem ou desmontagem da agulheta ou durante uma interrupção de trabalho bloquear sempre a pistola de pulverização.

## 2.6 RECUO DA PISTOLA DE PULVERIZAÇÃO

 <p><b>Perigo</b></p>	<p>Se a pressão for elevada, accionar o gatilho pode criar uma força de recuo de 15 N. Se não estiver preparado para isto, a sua mão pode ser empurrada para trás ou perder o seu equilíbrio. Tal pode provocar ferimentos.</p>
--	---

## 2.7 PROTECÇÃO RESPIRATÓRIA CONTRA VAPORES DE SOLVENTES

Use protecção respiratória durante os trabalhos de pulverização.

## 2.8 PREVENÇÃO DE DOENÇAS PROFISSIONAIS

Use óculos de protecção.

Use protetores de ouvidos.


Para protecção da pele deverá usar vestuário de protecção, luvas e, eventualmente, creme de protecção.

Observar os regulamentos do fabricante relativos a materiais de revestimento, solventes e produtos de limpeza durante a preparação, processamento e limpeza do aparelho.


## 2.9 PRESSÃO MÁX. DE FUNCIONAMENTO

A pressão máxima de funcionamento permitida para a pistola de pulverização, respectivos acessórios do aparelho e tubo de alta pressão não poderá atingir a pressão de funcionamento máxima de 20,7 MPa (207 bar) indicada no aparelho.


## 2.10 TUBO DE ALTA PRESSÃO

 <p><b>Perigo</b></p>	<p>Atenção: Perigo de ferimentos por injeção! Através do desgaste, dobragem e uma utilização incorreta poderão formar-se pontos de fuga na mangueira de alta pressão. Através de um furo, o líquido pode ser injectado na pele.</p>
--	---

- A mangueira de alta pressão deverá ser integralmente verificada antes de cada utilização.
- Substituir imediatamente um tubo de alta pressão danificado.
- Nunca reparar, você próprio, um tubo de alta pressão danificado!
- Evitar dobrar muito, menor raio de dobragem de aproximadamente 20 cm.
- **Não passar por cima** do tubo de alta pressão e protegê-lo de objectos afiados e de cantos.
- Nunca puxar pela mangueira de alta pressão para movimentar o aparelho.
- Não rodar a mangueira de alta pressão.
- Não operar a mangueira de alta pressão com solventes. Limpar a parte exterior somente com um pano humedecido.
- Colocar a mangueira de alta pressão de forma a que não exista o perigo de tropeçar.

	<p>Por motivos de funcionamento, segurança e durabilidade, utilize apenas tubos de alta pressão originais da WAGNER.</p>
---	--

## 2.11 CARGA ELECTROSTÁTICA (FORMAÇÃO DE FAÍSCAS OU CHAMA)

 <p><b>Perigo</b></p>	<p>Em determinadas circunstâncias, pode verificar-se uma carga electrostática no aparelho, devido ao fluxo do material de revestimento durante a pulverização. Ao ser descarregado, poderá verificar-se a formação de faíscas ou chamas. Daí que seja necessário que o aparelho esteja sempre ligado à terra através da instalação eléctrica. A ligação deve realizar-se através de uma tomada de dois pólos com ligação terra adequada.</p>
--	--

A carga electrostática das pistolas de pulverização e do tubo de alta pressão é libertada através do tubo de alta pressão. Por esta razão, a resistência eléctrica entre as ligações do tubo de alta pressão têm de ser iguais ou inferiores a um megaohm.

## 2.12 APLICAÇÃO DO APARELHO EM LOCAIS DE CONSTRUÇÃO

A ligação à corrente eléctrica apenas pode ser realizada através de um ponto de alimentação especial através de uma instalação de protecção anti-erro com  $INF \leq 30$  mA. É necessário um disjuntor de protecção (fusível) com 16 A (característica B ou C) ligado a montante.

## 2.13 VENTILAÇÃO QUANDO PULVERIZAR EM DIVISÕES INTERIORES

Deverá ser garantida uma ventilação adequada para a remoção dos vapores solventes.

## 2.14 INSTALAÇÕES DE SUCCÃO

Estas devem ser preparadas pelo utilizador do aparelho em conformidade com os regulamentos locais.

## 2.15 LIGAÇÃO À TERRA DO OBJECTO A PULVERIZAR

O aparelho a pulverizar deve dispor de uma ligação terra (Por regra, as paredes do edifício estão naturalmente ligadas à terra).

## 2.16 MATERIAL DE REVESTIMENTO

Tenha em atenção os perigos que o material pulverizado pode suscitar e respeite as inscrições dos depósitos ou as instruções do fabricante.

Não pulverize materiais cuja perigosidade desconheça.

## 2.17 LIMPEZA DO APARELHO

Quando limpar a pistola, só a deve lavar e enxaguar com o bico removido e a baixa pressão.



**Perigo**

Quando limpar o aparelho com solventes, este nunca deve ser pulverizado ou bombeado para um recipiente com uma pequena abertura. Perigo de formação de uma mistura de ar/gás explosivo. O recipiente tem de estar ligado a terra. Utilizar apenas um depósito metálico ligado à terra. Para ligação à terra, mantenha a pistola firmemente na borda do recipiente.



**Perigo**

Perigo de curto-circuito por penetração na água!  
Nunca pulverize o aparelho com um limpador de alta pressão ou de vapor de alta pressão.

## 2.18 TRABALHOS OU REPARAÇÕES NO EQUIPAMENTO ELÉCTRICO

Estes trabalhos só devem ser realizados por um electricista devidamente qualificado. Não se assume qualquer responsabilidade por uma instalação incorrecta. Em todos os trabalhos retire a ficha de alimentação da tomada.

## 2.19 MANUTENÇÃO E PAUSAS NO TRABALHO

Antes de efetuar qualquer trabalho no aparelho e sempre que fizer uma pausa no trabalho, descomprima a pistola de pulverização e a mangueira de alta pressão. Prenda o gatilho de pulverização da pistola de pulverização e desligue o aparelho.

## 2.20 MONTAGEM EM SUPERFÍCIES DESNIVELADAS

A parte frontal tem de estar orientada para baixo para impedir que este possa deslizar.

O aparelho não deve ser utilizado em superfícies inclinadas, uma vez que se pode inclinar devido às vibrações.

## 2.21 NÍVEL DE VIBRAÇÃO

O nível de oscilação indicado é medido de acordo com um procedimento de verificação comprovado e pode ser utilizado para comparação de ferramentas eléctricas.

O nível de oscilação serve também para uma estimativa da carga de oscilação.

**Atenção!** O valor de emissão de oscilações pode divergir do valor indicado durante a utilização efetiva da ferramenta eléctrica, dependendo do modo e da forma como a ferramenta eléctrica é utilizada. É necessário determinar medidas de segurança para a protecção dos operadores, baseando-se numa avaliação realizada das condições efetivas de utilização (aqui deverão considerar-se todas as componentes dos ciclos de trabalho, por exemplo tempos, durante os quais a ferramenta eléctrica está desligada, bem como aqueles nos quais esteja ligada mas a funcionar sem carga).

## 3 VISÃO GERAL DA APLICAÇÃO

### 3.1 APLICAÇÃO

O desempenho da ProSpray 3.20 foi concebido de forma a permitir a utilização de tintas de dispersão em interiores, tanto em pequenos como em objectos de média dimensão. O ProSpray 3.20 só pode ser utilizado em espaços interiores.

Este aparelho está indicado para todos os trabalhos normais no setor da pintura, como, por exemplo: portas, molduras de portas, parapeitos, móveis, revestimentos de madeira, vedações, radiadores e peças de aço.

### 3.2 MATERIAIS DE REVESTIMENTO

#### MATERIAIS DE REVESTIMENTO PROCESSÁVEIS



Preste atenção à qualidade Airless dos materiais de revestimento a serem processados.

Vernizes e tintas diluíveis ou que contêm solventes, materiais de revestimento com dois componentes, dispersões, tintas de látex, antiaderentes, óleos, subcapas, primários e enchimentos.

Nenhum outro material deve ser usado para pulverizar sem a autorização da WAGNER.

#### FILTRAÇÃO

Apesar do filtro de sucção e do filtro de inserção na pistola de pulverização, geralmente recomenda-se que o material de revestimento seja filtrado.

Agitar bem o material de revestimento antes de iniciar o trabalho.



Atenção: Ao agitar com agitadores accionados por motor, certifique-se de que não se formam bolhas de ar. Visto que estas dificultam a pulverização e também podem interromper o funcionamento.

#### VISCOSIDADE

Com esta unidade, é possível processar materiais de revestimento altamente viscosos até cerca de 20.000 MPa-s.

Se não for possível efectuar a sucção dos materiais de revestimento altamente viscosos, estes devem ser diluídos de acordo com as instruções do fabricante.

#### MATERIAL DE REVESTIMENTO COM DOIS COMPONENTES

O tempo de processamento adequado deve ser cumprido. Durante este tempo, a unidade deverá ser lavada e limpa cuidadosamente com os agentes de limpeza adequados.

#### MATERIAIS DE REVESTIMENTO COM MATERIAIS ADICIONAIS DE CANTO VIVO

Estes exercem um forte efeito de deterioração nas válvulas, no tubo de alta pressão, na pistola de pulverização e no bico. O que pode reduzir significativamente a durabilidade destas peças.

## 4 DESCRIÇÃO DA UNIDADE

### 4.1 PROCESSO AIRLESS

As áreas principais de aplicação são camadas grossas de material de revestimento altamente viscoso para grandes superfícies e um elevado consumo de material.

Uma bomba de pistão suga o material de revestimento e transporta-o para o bico. Comprimido através do bico a uma pressão máxima de 20,47 MPa (207 bar), o material de revestimento é atomizado. Esta alta pressão tem o efeito de microatomização do material de revestimento.

Como nenhum ar é utilizado neste processo, é descrito como um processo AIRLESS (sem ar).

Este método de pulverização tem as vantagens de se obter a melhor atomização, um funcionamento perfeito e uma superfície lisa sem bolhas. Tal como estas, devem ser mencionadas as vantagens da velocidade de trabalho e a grande maneabilidade.

### 4.2 FUNCIONAMENTO DA UNIDADE

A secção seguinte contém uma breve descrição da construção técnica para melhor compreensão do funcionamento.

As unidades ProSpray 3.20 da WAGNER são unidades de pulverização de alta pressão accionadas electricamente.

Um grupo de engrenagens transfere a força motriz para um eixo de manivela. O eixo de manivela faz os pistões da bomba de alimentação subir e descer.

A válvula de admissão é aberta automaticamente pelo movimento ascensional do pistão. A válvula de escape é aberta quando o pistão se move para baixo.

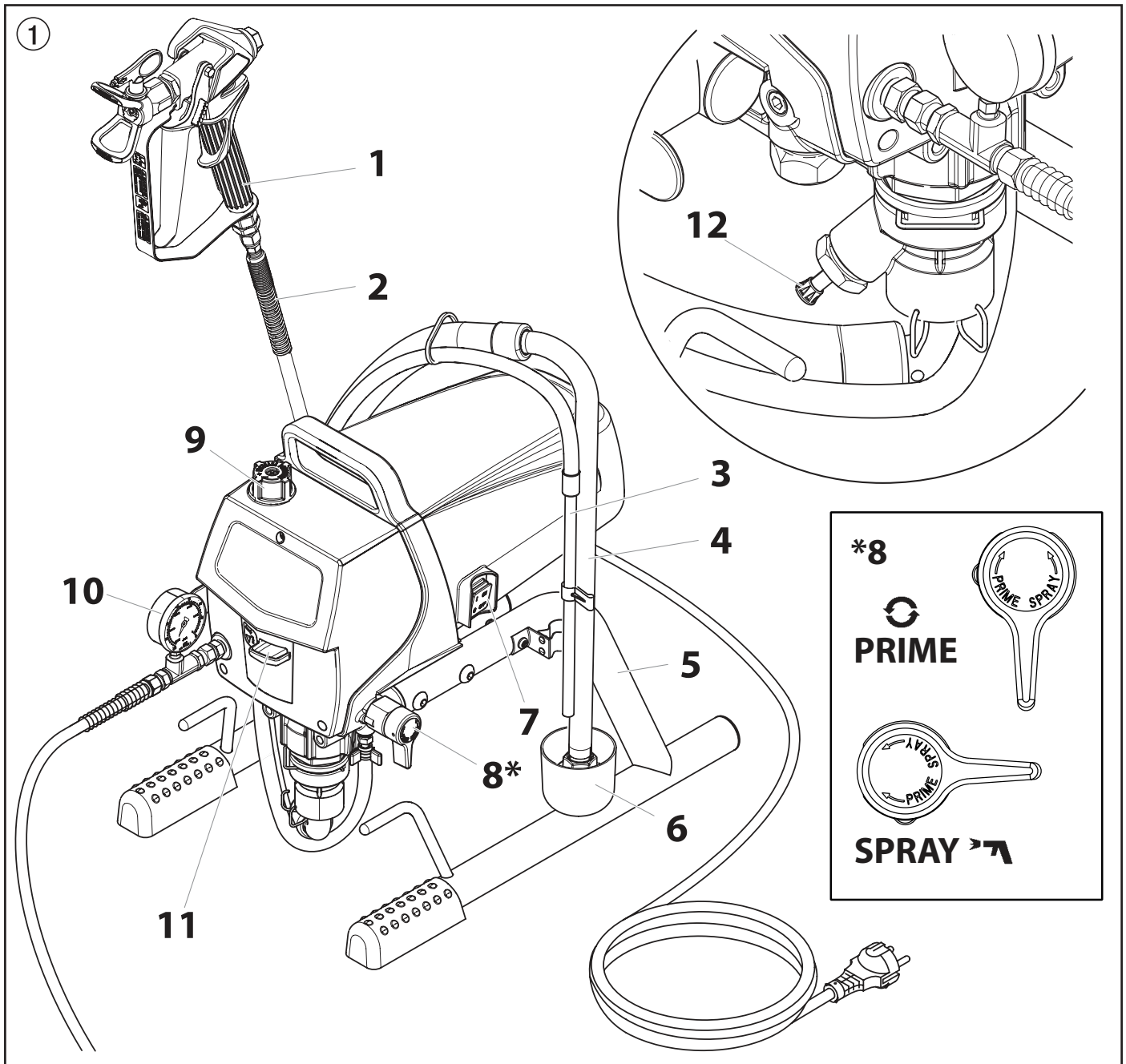
O material de revestimento flui sob alta pressão através do tubo flexível de alta pressão para a pistola de pulverização. Quando o material de revestimento sai do bico, atomiza-se.

O regulador da pressão regula o volume e a pressão de funcionamento do material de revestimento.

### 4.3 LEGENDA PARA O DIAGRAMA EXPLANATÓRIO PROSPRAY 3.20

- |   |   |
|---|---|
| <ul style="list-style-type: none"> <li>1. Pistola de pulverização</li> <li>2. Tubo flexível de alta pressão</li> <li>3. Tubo de retorno</li> <li>4. Tubo de sucção</li> <li>5. Estrutura</li> <li>6. Recipiente de gotejamento</li> <li>7. Interruptor ON/OFF (Ligar/Desligar)</li> </ul> | <ul style="list-style-type: none"> <li>8. Válvula de descarga<br/>Manípulo na posição vertical – ESCORVAR (↻<br/>circulação)<br/>Manípulo na posição horizontal – PULVERIZAR (↗)</li> <li>9. Botão regulador da pressão</li> <li>10. Manómetro</li> <li>11. Recipiente de óleo para o EasyGlide (o EasyGlide evita o desgaste excessivo dos empanques)</li> <li>12. Haste do propulsor</li> </ul> |
|---|---|

### 4.4 DIAGRAMA EXPLANATÓRIO PROSPRAY 3.20





#### 4.5 DADOS TÉCNICOS

<b>Voltagem</b>	230V AC, 50/60 Hz
<b>Consumo máx. de corrente</b>	5,3 A
<b>Capacidade do aparelho</b>	1000 W
<b>Cabo de alimentação</b>	6 m de comprimento, 3x1,5 mm <sup>2</sup>
<b>Pressão máx. de funcionamento</b>	207 bar (20,7 MPa)
<b>Débito volúmico máx.</b>	2,0 l/min
<b>Fluxo de volume a 120 bar (12 MPa) com água</b>	1,6 l/min
<b>Tamanho máx. do bico</b>	0,021 polegada – 0,53 mm
<b>Temperatura máx. do material de revestimento</b>	43°C
<b>Viscosidade máx.</b>	20.000 MPa·s
<b>Peso</b>	13,6 kg
<b>Tubo flexível de alta pressão especial</b>	6,35 mm, 15 m - 1/4" - 18 NPSM
<b>Dimensões (C x L x A)</b>	441 x 324 x 415 mm
<b>Nível de intensidade sonora*</b>	80 dB (A); Margem de confiança K = 4 dB
<b>Potência de pressão akústica*</b>	93 dB (A); Margem de confiança K = 4 dB
<b>Nível de vibração*</b>	< 2,5 m/s <sup>2</sup> ; Margem de confiança K = 1,5 m/s <sup>2</sup>

\* Medido de acordo com a norma EN 62841-1.

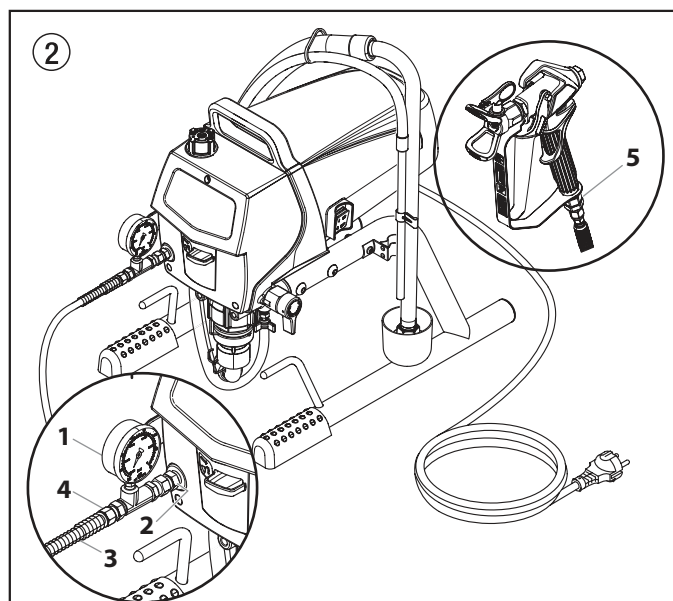
#### 4.6 TRANSPORTE NUM VEÍCULO

Prenda bem a unidade com uma fixação adequada.

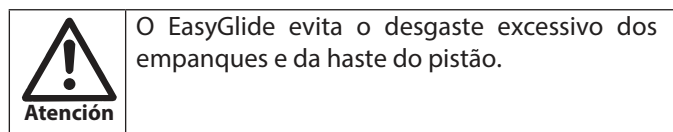
## 5 COLOCAÇÃO EM FUNCIONAMENTO

### 5.1 TUBO FLEXÍVEL DE ALTA PRESSÃO, PISTOLA DE PULVERIZAÇÃO E ÓLEO DE SEPARAÇÃO

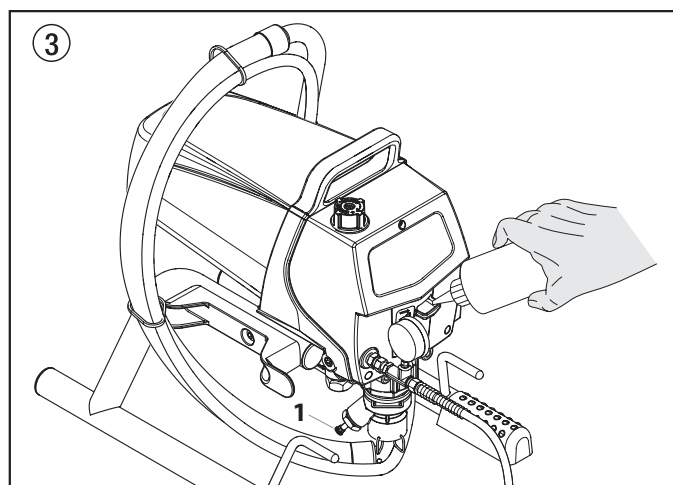
1. Se equipado - Enrosque o manómetro (1) na saída de material de revestimento (Fig. 2, Item 2).
2. Enrosque o tubo flexível de alta pressão (3) na conexão de descarga do material do pulverizador (Fig. 2, Item 4).
3. Enrosque a pistola de pulverização (5) com o bico seleccionado no tubo flexível de alta pressão.
4. Aperte firmemente as porcas de união nos tubos flexíveis de alta pressão para o material de revestimento não verter.



5. Introduza o EasyGlide (Fig. 3). Não introduza demasiado EasyGlide, ou seja, certifique-se de que o EasyGlide não pinga no recipiente do material de revestimento.



O EasyGlide evita o desgaste excessivo dos empanques e da haste do pistão.



6. Pressione completamente a haste do propulsor (Fig. 3, Item 1) para garantir que a esfera de admissão fica livre.



## 5.2 LIGAÇÃO À REDE DE ALIMENTAÇÃO



Atención

A unidade deve ser conectada a uma tomada segura adequadamente ligada à terra.

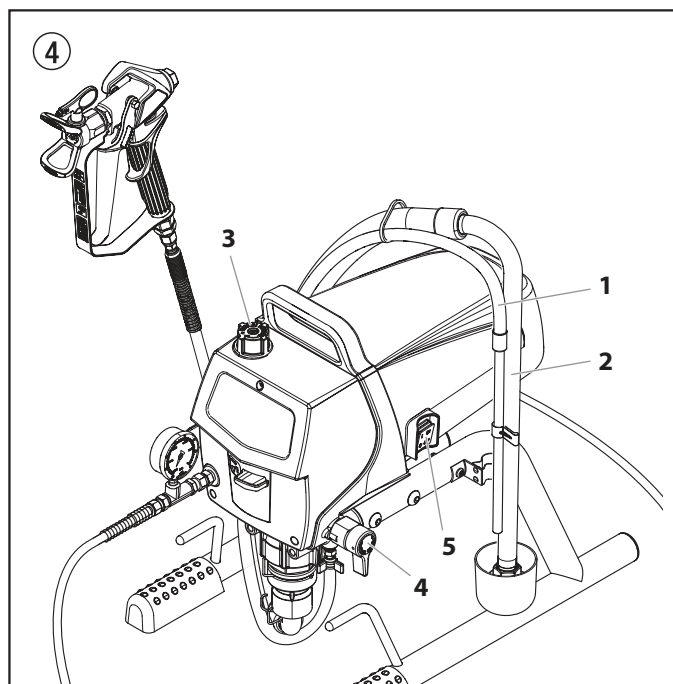
Antes de ligar a unidade à fonte de alimentação, certifique-se de que a voltagem corresponde à especificada na chapa de características da unidade. Em caso de ligação à rede pública de baixa tensão pode ser necessária uma autorização do operador da rede. Verifique as normas e regulamentos aplicáveis no seu país e entre em contacto com o seu operador da rede. A ligação deve ser equipada com um dispositivo de protecção de corrente residual com  $INF \leq 30$  mA.



O programa de acessórios da Wagner também inclui um dispositivo de protecção do operador móvel para o fornecimento electrónico, que também pode ser usado com outro equipamento electrónico.

## 5.3 LIMPEZA DE AGENTES DE CONSERVAÇÃO NO ARRANQUE INICIAL

1. Deixe o tubo flexível de sucção (Fig. 4, Item 2), e o tubo de retorno (1), dentro de um recipiente com um agente de limpeza adequado.
2. Rode o botão regulador da pressão (3) para o valor mínimo.
3. Abra a válvula de descarga (4), posição da válvula ESCOVAR (↻ circulação).
4. Ligue a unidade (5) (ON).
5. Aguarde até o agente de limpeza sair do tubo de retorno.
6. Feche a válvula de descarga, posição da válvula PULVERIZAR (↘ pulverização).
7. Pressione o gatilho da pistola de pulverização.
8. Pulverize o agente de limpeza da unidade para um recipiente de recolha aberto.



## 5.4 COLOCAR A UNIDADE EM FUNCIONAMENTO COM MATERIAL DE REVESTIMENTO

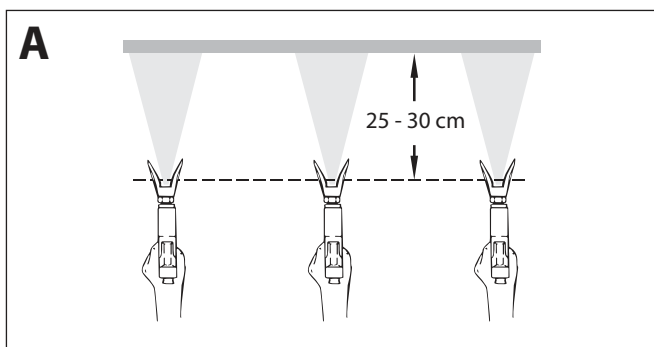
1. Deixe o tubo flexível de sucção (Fig. 4, Item 2), e o tubo de retorno (1), dentro do recipiente do material de revestimento.
2. Rode o botão regulador da pressão (3) para o valor mínimo.
3. Abra a válvula de descarga (4), posição da válvula ESCORVAR (↻ circulação).
4. Ligue a unidade (5) (ON).
5. Aguarde até que o material de revestimento saia do tubo de retorno e que não haja bolhas de ar.
6. Feche a válvula de descarga, posição da válvula PULVERIZAR (↘ pulverização).
7. Pressione várias vezes o gatilho da pistola de pulverização e pulverize num contentor de recolha até que o material de revestimento saia da pistola sem interrupção.
8. Aumente a pressão rodando lentamente o botão regulador de pressão.  
Verifique o padrão de pulverização e aumente a pressão até a atomização estar correcta.  
Rode sempre o botão regulador da pressão para o valor mínimo com boa atomização.
9. A unidade está pronta para pulverizar.

## 6 TÉCNICA DE PULVERIZAÇÃO



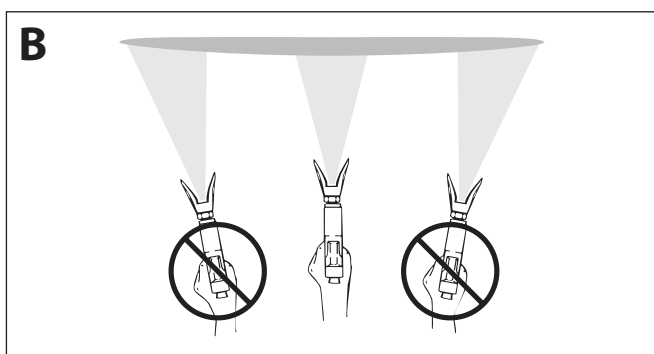
Perigo de injeção. Não comece a pintar sem que o protector do bico esteja instalado. NUNCA accione a pistola a menos que o bico esteja completamente rodado quer na posição de pulverização ou na de desobstrução. Bloqueei SEMPRE o dispositivo de segurança do gatilho antes de remover, substituir ou limpar o bico.

- A)** O fundamental num bom trabalho de pintura é obter uma camada regular sobre toda a superfície. Isto é feito com movimentos uniformes. Mantenha o movimento do braço num ritmo constante e mantenha a pistola a uma distância constante da superfície. A melhor distância de pulverização é de 25 a 30 cm entre o bico e a superfície.



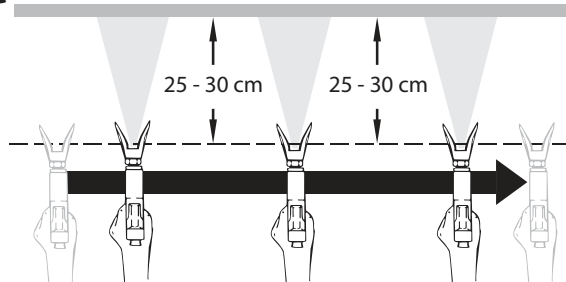
- B)** Mantenha a pistola nos ângulos correctos contra a superfície. Ou seja, mova o braço para a frente e para trás, em vez de flectir o pulso.

Mantenha a pistola perpendicular à superfície, caso contrário uma extremidade do padrão ficará mais grossa do que a outra.





- C)** Accione a pistola após iniciar a descarga. Largue o gatilho antes de finalizar a descarga. A pistola de pulverização deve mover-se quando o gatilho é premido e largado. Sobreponha cada camada cerca de 30%. Isto vai garantir um revestimento regular.

**C**



Se apresentar muitas arestas vivas ou se houver estrias no jacto de pulverização - aumente a pressão de funcionamento ou dilua o material de revestimento.

## 7 MANUSEAR O TUBO FLEXÍVEL DE ALTA PRESSÃO




	A unidade está equipada com um tubo flexível de alta pressão especialmente adequado para bombas de pistão.
	Perigo de lesão através do tubo flexível de alta pressão com fugas. Substitua imediatamente qualquer tubo flexível de alta pressão danificado. Nunca repare um tubo flexível de alta pressão danificado!

Manusear cuidadosamente o tubo de alta pressão. Evitar dobrar muito, menor raio de dobragem de aproximadamente 20 cm.

Não passar por cima do tubo de alta pressão e protegê-lo de objectos afiados e de cantos.


Nunca puxar pela mangueira de alta pressão para movimentar o aparelho.

Ter em atenção que a mangueira de alta pressão não se roda. Isto pode ser evitado usando uma pistola de pulverização da Wagner com articulação e um enrolador.




	Para o manuseamento do tubo de alta pressão aquando de trabalhos na estrutura de apoio reconheceu-se como mais vantajoso colocar a mangueira sempre do lado de fora da estrutura.
	Com as mangueiras de alta pressão existe o risco de danos. A Wagner recomenda a substituição da mangueira de alta pressão passados 6 anos.
	Por razões de funcionamento, segurança e durabilidade, apenas utilize tubos flexíveis de alta pressão originais da Wagner.

## 8 INTERRUÇÃO DO TRABALHO



1. Abra a válvula de descarga, posição da válvula ESCORVAR (circulação).
2. Desligue a unidade (OFF).
3. Rode o botão regulador da pressão para o valor mínimo.
4. Pressione o gatilho da pistola de pulverização de forma a libertar a pressão do tubo flexível de alta pressão e da pistola de pulverização.
5. Fixe a pistola, consulte o manual de funcionamento da pistola de pulverização.
6. Se tiver de limpar um bico standardizado, veja Secção 13.2.
7. Se for colocado um bico não standardizado, execute de acordo com o manual de funcionamento correspondente.
8. Deixe o tubo de sucção e o tubo de retorno submerso no material de revestimento, ou deixe-os submersos num agente de limpeza adequado.

 Atención	Se utilizar materiais de revestimento de dois componentes ou de secagem rápida, certifique-se de que a unidade é lavada com um agente de limpeza adequado dentro do tempo de processamento.
--	---

## 9 LIMPAR A UNIDADE (FORA DE SERVIÇO)

	<p>A limpeza é o melhor método de garantir um funcionamento sem problemas. Depois de terminar a pulverização, limpe da unidade. Em nenhuma circunstância deve permanecer na unidade qualquer resto de material de revestimento seco e endurecido.</p>
	<p>O agente de limpeza usado para limpar (apenas com um ponto de inflamação superior a 21°C) deve ser adequado para o material de revestimento utilizado.</p>
	<ul style="list-style-type: none"> <li>• <b>Fixe a pistola de pulverização</b>, consulte o manual de funcionamento da pistola de pulverização.</li> <li>• Limpar e remover o bico.</li> <li>• Para obter informações acerca do bico estandardizado, consulte Secção 13.2.</li> <li>• Se for colocado um bico não estandardizado, execute de acordo com o manual de funcionamento correspondente.</li> </ul>



1. Remova o tubo de sucção ou o tubo flexível de sucção e o tubo de retorno do material de revestimento.
2. Feche a válvula de descarga, posição da válvula PULVERIZAR (→ pulverização).
3. Ligue a unidade (ON).

 <p>Atención</p>	<p>Para materiais de revestimento que contenham solventes, o recipiente deve estar ligado à terra.</p>
	<p>Cuidado! Não bombeie ou pulverize num recipiente com abertura pequena (batoque)! Consulte as normas de segurança.</p>

4. Pressione o gatilho da pistola de pulverização de forma a bombear o restante material de revestimento do tubo de sucção, do tubo flexível de alta pressão e da pistola de pulverização para um recipiente aberto.
5. Mergulhe o tubo de sucção com o tubo de retorno num recipiente com um agente de limpeza.
6. Rode o botão regulador da pressão para o valor mínimo.
7. Abra a válvula de descarga, posição da válvula ESCORVAR (↻ circulação).


8. Bombeie um agente de limpeza adequado no circuito por alguns minutos.
9. Feche a válvula de descarga, posição da válvula PULVERIZAR (→ pulverização).
10. Pressione o gatilho da pistola de pulverização.
11. Bombeie o restante agente de limpeza para um recipiente aberto até a unidade ficar vazia.
12. Desligue a unidade (OFF).

### 9.1 LIMPAR A UNIDADE POR FORA

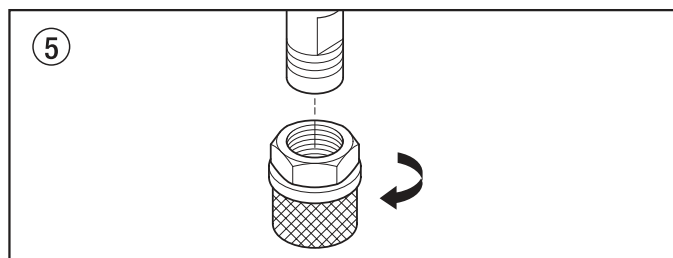
	<p>Primeiro, remova o cabo de alimentação da tomada.</p>
 <p>Atención</p>	<p>Perigo de curto-circuito por penetração na água! Nunca pulverize a unidade com produtos de limpeza, ou a vapor, de alta pressão. Não operar a mangueira de alta pressão com solventes. Limpar a parte exterior somente com um pano humedecido.</p>

Limpe exteriormente a unidade com um pano contendo um agente de limpeza adequado.

### 9.2 FILTRO DE SUÇÃO

	<p>Um filtro limpo garante sempre o máximo de quantidade transportada, pressão de pulverização constante e um correcto funcionamento da unidade.</p>
---	--

1. Desenrosque o filtro (Fig. 5) do tubo de sucção.
2. Limpe ou substitua o filtro.  
Execute a limpeza com um pincel duro e um agente de limpeza adequado



### 9.3 LIMPAR O FILTRO DE ALTA PRESSÃO



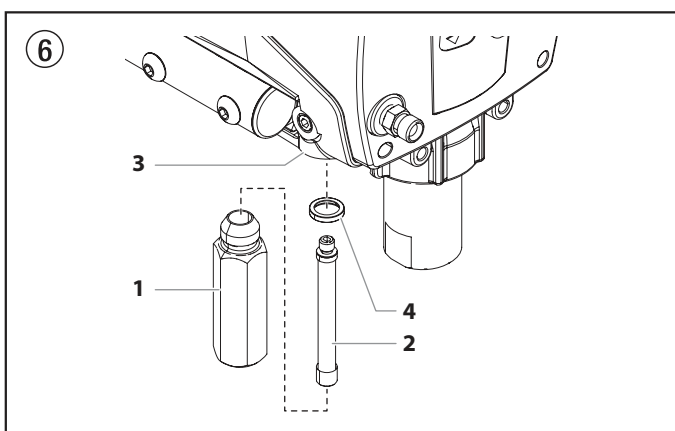
Um filtro de alta pressão está disponível como um acessório opcional que pode ser encomendado em separado. Limpe regularmente o cartucho do filtro. Um filtro de alta pressão sujo e entupido pode provocar um fraco padrão de pulverização ou entupir o bico.

1. Rode o botão regulador da pressão para o valor mínimo.
2. Abra a válvula de descarga, posição da válvula PRIME (ESCORVAR) (↻ circulação).
3. Desligue a unidade (OFF).



Desconecte a ficha de alimentação da tomada

4. Desatarraxe o corpo do filtro (Fig. 6, Item 1) com uma chave de corria.
5. Rodando para a direita, desenrosque o filtro (2) do coletor da bomba (3).
6. Limpe todas as peças com o agente de limpeza correspondente. Se necessário, substitua o cartucho do filtro.
7. Examine o anel em O (4), substitua-o se necessário.
8. Rodando para a esquerda, enrosque o filtro limpo, ou novo, no coletor da bomba.
9. Atarraxe o corpo do filtro (1) e aperte o máximo possível com a chave de corria.



### 9.4 LIMPAR A PISTOLA DE PULVERIZAÇÃO AIRLESS

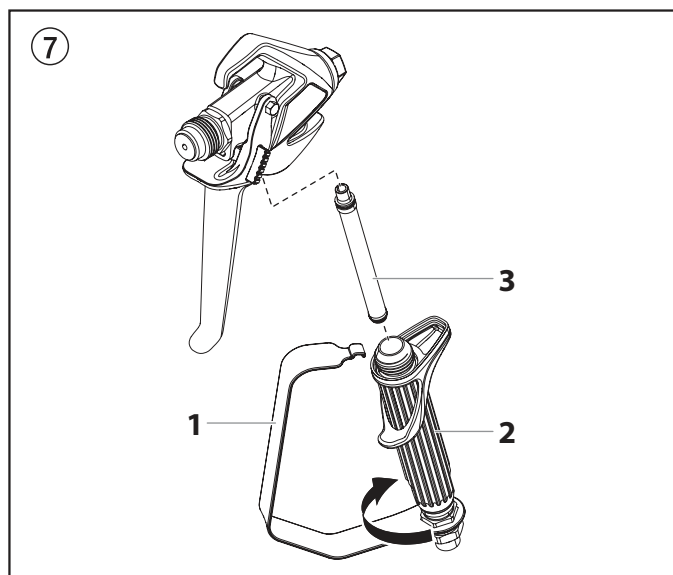


Limpe a pistola de pulverização após cada utilização.




1. Lave a pistola de pulverização Airless com um agente de limpeza adequado.
2. Limpe o bico minuciosamente com um agente de limpeza adequado para que não fique nenhum resíduo de material de revestimento.
3. Limpe minuciosamente o exterior da pistola de pulverização Airless.

#### FILTRO INSERÍVEL NA PISTOLA DE PULVERIZAÇÃO AIRLESS. (FIG. 7)

1. Desencaixe a parte superior do protetor do gatilho (1) da cabeça da pistola.
2. Usando a parte inferior do protetor do gatilho como uma chave inglesa, solte e remova o conjunto do manípulo (2) da cabeça da pistola.
3. Retire o filtro (3) velho do cabeçote da pistola de pulverização. Limpe ou substitua.
4. Introduza o filtro novo em primeiro lugar com a extremidade cônica no cabeçote da pistola de pulverização.
5. Introduza o manípulo no cabeçote da pistola de pulverização até que este esteja fixo. Aperte com a chave do gatilho.
6. Volte a encaixar o protetor do gatilho na cabeça da pistola.



## 10 SOLUÇÃO EM CASO DE FALHAS

Tipo de avaria	Causa Possível	Medidas para eliminar a avaria
A. A unidade não arranca.	<ol style="list-style-type: none"> <li>Nenhuma voltagem aplicada.</li> <li>Pressão demasiado reduzida.</li> <li>Interruptor ON/OFF danificado.</li> </ol>	<ol style="list-style-type: none"> <li>Verifique a voltagem.</li> <li>Rode o botão regulador da pressão.</li> <li>Substitua</li> </ol>
B. A unidade não suga.	<ol style="list-style-type: none"> <li>A válvula de descarga está posicionada para PULVERIZAR (  pulverização).</li> <li>O filtro de sucção projecta-se acima do nível do fluido e suga ar.</li> <li>Filtro obstruído.</li> <li>O tubo de sucção está solto, ou seja, a unidade suga o ar exterior.</li> </ol>	<ol style="list-style-type: none"> <li>Ajuste a válvula de descarga na posição ESCORVAR (  circulação).</li> <li>Encha novamente o material de revestimento.</li> <li>Limpe ou substitua o filtro.</li> <li>Limpe os pontos de ligação. Substitua os anéis em O, se for necessário. Fixe o tubo de sucção com o grampo de retenção.</li> </ol>
C. A unidade suga, mas a pressão não desenvolve	<ol style="list-style-type: none"> <li>O bico está bastante gasto.</li> <li>O bico é demasiado largo.</li> <li>Pressão demasiado reduzida.</li> <li>Filtro obstruído.</li> <li>O material de revestimento flui através do tubo de retorno quando a válvula de descarga está na posição PULVERIZAR (  pulverização).</li> <li>Empanques viscosos ou gastos.</li> <li>Esferas das válvulas gastas.</li> <li>Sedes das válvulas gastas.</li> </ol>	<ol style="list-style-type: none"> <li>Substitua</li> <li>Sobre a substituição do bico.</li> <li>Rode o botão regulador da pressão para a direita para aumentar.</li> <li>Limpe ou substitua o filtro.</li> <li>Remova e limpe, ou substitua, a válvula de descarga.</li> <li>Remova e limpe, ou substitua, os empanques.</li> <li>Remova e substitua as esferas das válvulas.</li> <li>Remova e substitua as sedes das válvulas.</li> </ol>
D. O material de revestimento sai no topo da secção de fluido.	<ol style="list-style-type: none"> <li>Empanque superior gasto.</li> <li>O pistão está gasto.</li> </ol>	<ol style="list-style-type: none"> <li>Remova e substitua o empanque.</li> <li>Remova e substitua o pistão.</li> </ol>
E. Pulsação aumentada na pistola de pulverização	<ol style="list-style-type: none"> <li>Tubo flexível de alta pressão incorrecto.</li> <li>Bico gasto ou demasiado largo.</li> <li>Pressão demasiado alta.</li> </ol>	<ol style="list-style-type: none"> <li>Por razões de funcionamento, segurança e durabilidade, apenas utilize tubos flexíveis de alta pressão originais da WAGNER.</li> <li>Substitua o bico.</li> <li>Rode o botão regulador da pressão para um valor inferior.</li> </ol>
F. Fraco padrão de pulverização	<ol style="list-style-type: none"> <li>O bico é demasiado largo para o material de revestimento a ser pulverizado.</li> <li>Regulação da pressão incorrecta.</li> <li>Volume demasiado reduzido.</li> <li>Viscosidade do material de revestimento demasiado alta.</li> </ol>	<ol style="list-style-type: none"> <li>Sobre a substituição do bico.</li> <li>Rode o botão regulador da pressão até obter um padrão de pulverização satisfatório.</li> <li>Limpe ou substitua todos os filtros.</li> <li>Dilua de acordo com as instruções do fabricante.</li> </ol>
G. A unidade perde potência	<ol style="list-style-type: none"> <li>Pressão demasiado reduzida.</li> </ol>	<ol style="list-style-type: none"> <li>Rode o botão regulador da pressão para a direita para aumentar.</li> </ol>
H. A bomba pressuriza demasiado e não desliga.	<ol style="list-style-type: none"> <li>O comutador de pressão tem defeito.</li> <li>O transdutor tem defeito.</li> </ol>	<ol style="list-style-type: none"> <li>Leve a unidade a um serviço de assistência autorizado da Wagner.</li> <li>Leve a unidade a um serviço de assistência autorizado da Wagner.</li> </ol>

## 11 MANUTENÇÃO

### 11.1 MANUTENÇÃO GERAL

A manutenção da unidade deve ser executada uma vez por ano pelo serviço de manutenção da WAGNER.

1. Verifique se os tubos flexíveis de alta pressão, a linha de união e a ficha do dispositivo estão danificados.
2. Verifique se a válvula de admissão, a válvula de escape e o filtro estão gastos.

### 11.2 TUBO FLEXÍVEL DE ALTA PRESSÃO

Examine visualmente se o tubo flexível de alta pressão tem cortes ou protuberância, em particular na transição nas conexões. As porcas de união devem poder rodar livremente.



Com as mangueiras de alta pressão existe o risco de danos. A Wagner recomenda a substituição da mangueira de alta pressão passados 6 anos.

## 12 REPARAÇÕES NA UNIDADE



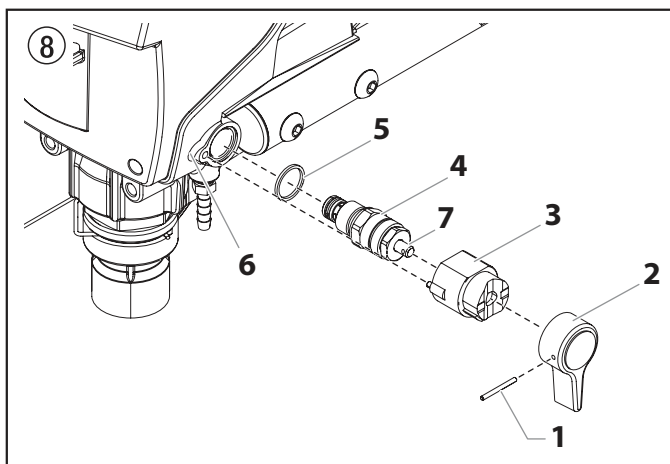
Desligue a unidade (OFF).

Antes de toda a reparação: Desconecte a ficha de alimentação da tomada.

### 12.1 VÁLVULA DE DESCARGA



O alojamento da válvula (4) não deve ser reparado. Se estiver gasto, deve ser sempre substituído por um novo.



1. Use um punção de montagem de 2 mm para remover o pino ranhurado (Fig. 8, Item 1) do manípulo da válvula de descarga (2).
2. Remova o manípulo da válvula de descarga (2) e a base de came (3).
3. Com uma chave inglesa, remova o corpo da válvula (4) do colector da bomba (6).
4. Certifique-se de que a vedação (5) está correctamente assentada, depois enrosque totalmente o novo corpo da válvula (4) no colector da bomba (6). Aperte firmemente com uma chave inglesa.
5. Ajuste a base de came (3) com o buraco no colector da bomba (6). Lubrifique a base de came com lubrificante e deslize nela.
6. Alinhe o buraco no eixo da válvula (7) e no manípulo da válvula de descarga (2).
7. Insira o pino ranhurado (1) para fixar o manípulo da válvula de descarga.



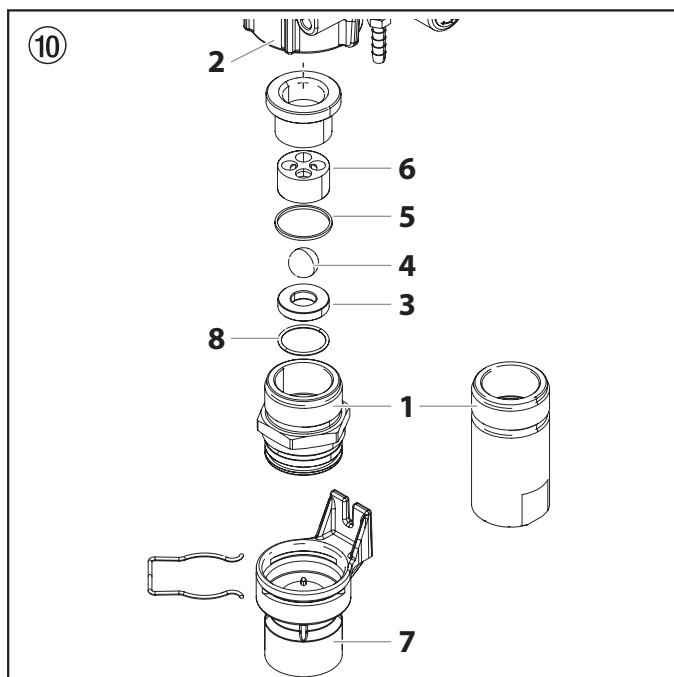
## 12.2 VÁLVULA DE ADMISSÃO E VÁLVULA DE ESCAPE

1. Remova o parafuso que prende o botão regulador da pressão à parte inferior deste botão. Remova o botão. Remova os três parafusos da tampa frontal e remova-a.



Perigo de esmagamento - não aproxime os dedos ou ferramentas entre as peças em movimento.

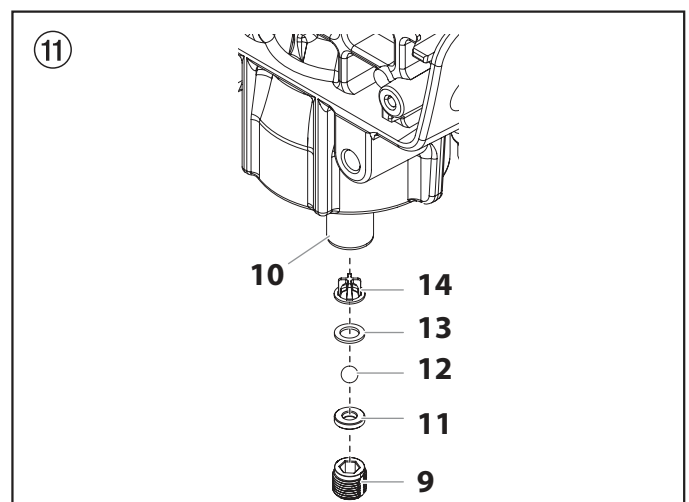
2. Ligue a unidade (ON) e depois desligue-a (OFF) para que a pistão fique posicionada no curso inferior.
3. Desconecte a ficha de alimentação da tomada.
4. Remova o grampo de retenção do cotovelo de ligação no tubo de sucção e puxe-o.
5. Desatarraxe o tubo de retorno.
6. Gire a unidade 90° para a parte traseira de forma a funcionar mais facilmente na bomba de alimentação.
7. Remova o grampo da haste do propulsor e retire o alojamento da haste do propulsor (7) do alojamento da válvula de admissão (1)



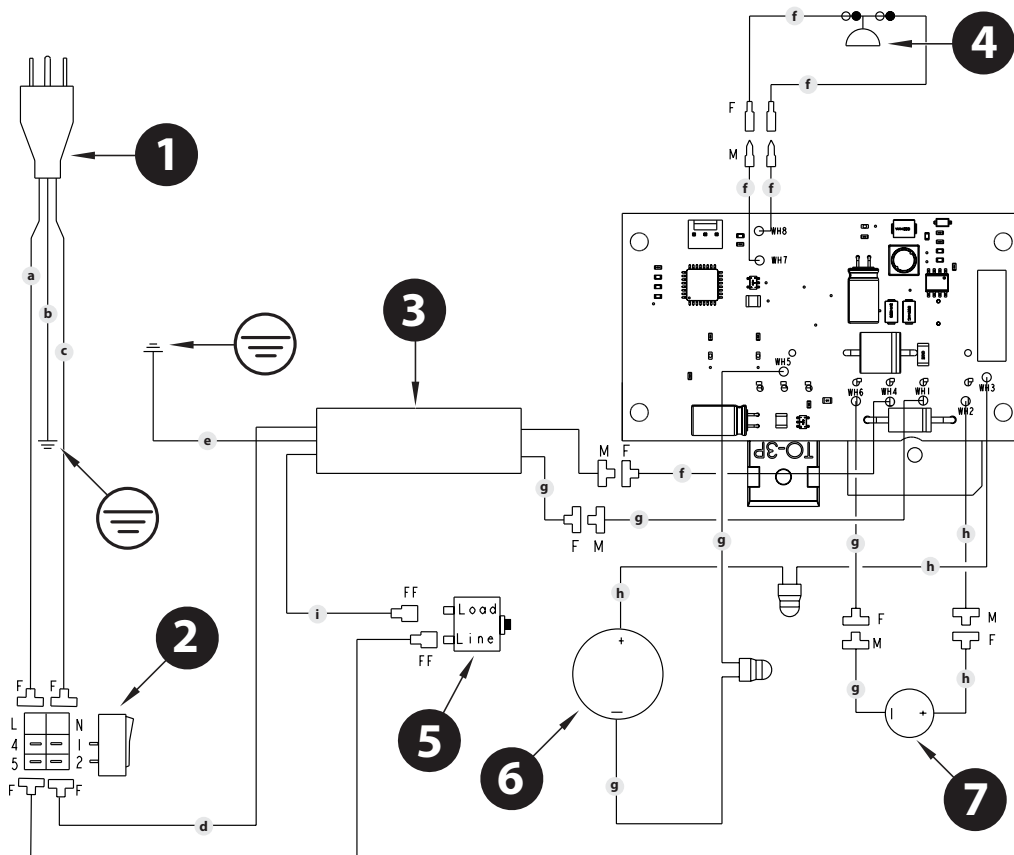
8. Desatarraxe o corpo da válvula de admissão (Fig. 10, Item 1) do colector da bomba.
9. Remova a o guia de esfera inferior (6), vedação inferior (5), a esfera da válvula de admissão (4), a sede da válvula de admissão (3) e o anel em O (8).
10. Limpe todas as peças com o agente de limpeza correspondente.

Verifique se o corpo (1), a sede (3) e a esfera da válvula de admissão (4) estão gastos e substitua as peças se for necessário.

11. Desatarraxe o corpo da válvula de admissão (Fig. 11, Item 9) do pistão (10) com uma chave ajustável.
12. Remova o guia de esfera superior (14), arruela (13), a esfera da válvula de escape (12) e a sede da válvula de escape (11).
13. Limpe todas as peças com o agente de limpeza correspondente. Verifique se o corpo (9), a sede (11) e a esfera da válvula de escape (12) e o guia de esfera superior (14) estão gastos e substitua as peças se for necessário.
14. Execute a instalação na ordem inversa. Certifique-se de que o retentor da válvula de escape (9) está reinstalado com a borda não roscada virada para cima para o pistão. Lubrifique o anel em O (Fig. 10, Item 6) com lubrificante de máquinas e certifique-se de que o corpo da válvula de admissão assenta adequadamente (Fig. 10, Item 1).



**12.3 DIAGRAMA DE CONEXÃO PROSPRAY 3.20**



Item	Descrição
1	Ficha
2	Interruptor
3	Filtro de interferência electromagnética (EMI)
4	Comutador de pressão
5	Disjuntor
6	Motor
7	Condensador

Item	Descrição
a	Preto / Castanho
b	Verde
c	Branco / Azul
d	Azul
e	Verde / Amarelo
f	Branco
g	Preto
h	Vermelho
i	Castanho

## 13 APÊNDICE

### 13.1 SELECÇÃO DO BICO

A selecção dos bicos é muito importante para obter um funcionamento racional e correcto.

Em muitos casos, o bico correcto só pode ser determinado através de um teste de pulverização.

#### ALGUMAS REGRAS A RESPEITO:

O jacto de pulverização deve ser regular.

Se surgirem franjas no jacto, a pressão de pulverização é demasiado baixa ou a viscosidade do material de revestimento é elevada.

**Solução:** Aumente a pressão ou dilua o material de revestimento. Cada bombada transporta uma certa quantidade em relação ao tamanho do bico:

**Regra geral:** bico grande = baixa pressão  
bico pequeno = alta pressão

Existe uma grande variedade de bicos com diversos ângulos de pulverização.

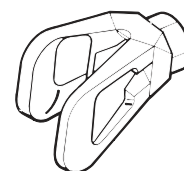
### 13.3 ACESSÓRIOS DA PISTOLA DE PULVERIZAÇÃO



**Bico regulável do jacto plano**  
ATÉ 25 MPA (250 BAR)

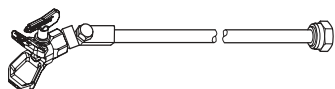
Marcação do bico	Orifício mm	Largura da pulverização cerca de 30 cm de distância do objecto pulverizado Pressão 100 bar (10 MPa)	Utilização	Bico regulável do jacto plano Nº de pedido
15	0,13 - 0,46	5 - 35 cm	Tintas	<b>0999 057</b>
20	0,18 - 0,48	5 - 50 cm	Tintas, Dispositivos de enchimento	<b>0999 053</b>
28	0,28 - 0,66	8 - 55 cm	Tintas, Tintas de dispersão	<b>0999 054</b>
41	0,43 - 0,88	10 - 60 cm	Tintas antioxidantes - dispersão	<b>0999 055</b>
49	0,53 - 1,37	10 - 40 cm	Revestimentos de grandes superfícies	<b>0999 056</b>

**Protecção contra contactos** para o bico regulável do jacto



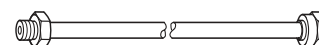
Nº de pedido **0097 294**

#### Extensão do bico com articulação giratória (sem bico)



Comprimento: 100 cm Nº de ped. **0096 015**  
 Comprimento: 200 cm Nº de ped. **0096 016**  
 Comprimento: 300 cm Nº de ped. **0096 017**

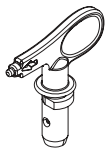
#### Extensão do bico



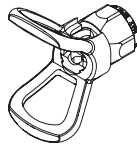
15 cm, Rosca F, Nº de ped. **0556 051**  
 30 cm, Rosca F, Nº de ped. **0556 052**  
 45 cm, Rosca F, Nº de ped. **0556 053**  
 60 cm, Rosca F, Nº de ped. **0556 054**

15 cm, Rosca G, Nº de ped. **0556 074**  
 30 cm, Rosca G, Nº de ped. **0556 075**  
 45 cm, Rosca G, Nº de ped. **0556 076**  
 60 cm, Rosca G, Nº de ped. **0556 077**

13.4 QUADRO DOS BICOS AIRLESS



**Wagner TradeTip 3 agulheta**  
até 270 bar  
(27 MPa)



sem agulheta  
Rosca F (11/16 - 16 UN)  
para pistolas de pulverização  
Wagner  
**Nº de encomenda 0289391**

sem agulheta  
Rosca G (7/8 - 14 UNF)  
para pistolas de pulverização Graco/  
Titan  
**Nº de encomenda 0289390**

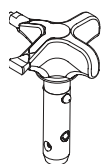
**i** Todas as agulhetas na tabela em baixo são fornecidas com o correspondente filtro de pistola.

Aplicação	Marcação da agulheta	Ângulo de pulverização	Orifício inch / mm	Largura de pulverização <sup>1)</sup>	Filtro da pistola	Nº de encomenda
Tintas e esmaltes, óleos, anti-glomerantes à base de solvente e solúveis em água	107	10°	0.007 / 0.18	100	vermelho	0553107
	207	20°	0.007 / 0.18	120	vermelho	0553207
	307	30°	0.007 / 0.18	150	vermelho	0553307
	407	40°	0.007 / 0.18	190	vermelho	0553407
	109	10°	0.009 / 0.23	100	vermelho	0553109
	209	20°	0.009 / 0.23	120	vermelho	0553209
	309	30°	0.009 / 0.23	150	vermelho	0553309
	409	40°	0.009 / 0.23	190	vermelho	0553409
	509	50°	0.009 / 0.23	225	vermelho	0553509
	609	60°	0.009 / 0.23	270	vermelho	0553609
Tintas de resina sintética Tintas de PVC	111	10°	0.011 / 0.28	100	vermelho	0553111
	211	20°	0.011 / 0.28	120	vermelho	0553211
	311	30°	0.011 / 0.28	150	vermelho	0553311
	411	40°	0.011 / 0.28	190	vermelho	0553411
	511	50°	0.011 / 0.28	225	vermelho	0553511
	611	60°	0.011 / 0.28	270	vermelho	0553611
Tintas, primários Primários Cargas	113	10°	0.013 / 0.33	100	vermelho	0553113
	213	20°	0.013 / 0.33	120	vermelho	0553213
	313	30°	0.013 / 0.33	150	vermelho	0553313
	413	40°	0.013 / 0.33	190	vermelho	0553413
	513	50°	0.013 / 0.33	225	vermelho	0553513
	613	60°	0.013 / 0.33	270	vermelho	0553613
	813	80°	0.013 / 0.33	330	vermelho	0553813
	Cargas Tintas anticorrosivas	115	10°	0.015 / 0.38	100	amarelo
215		20°	0.015 / 0.38	120	amarelo	0553215
315		30°	0.015 / 0.38	150	amarelo	0553315
415		40°	0.015 / 0.38	190	amarelo	0553415
515		50°	0.015 / 0.38	225	amarelo	0553515
615		60°	0.015 / 0.38	270	amarelo	0553615
715		70°	0.015 / 0.38	300	amarelo	0553715
815		80°	0.015 / 0.38	330	amarelo	0553815
Tintas anticorrosivas Tintas de látex Tintas de dispersão		117	10°	0.017 / 0.43	100	branco
	217	20°	0.017 / 0.43	120	branco	0553217
	317	30°	0.017 / 0.43	150	branco	0553317
	417	40°	0.017 / 0.43	190	branco	0553417
	517	50°	0.017 / 0.43	225	branco	0553517
	617	60°	0.017 / 0.43	270	branco	0553617
	717	70°	0.017 / 0.43	300	branco	0553717
	817	80°	0.017 / 0.43	330	branco	0553817
	Tintas anticorrosivas Tintas de látex Tintas de dispersão	219	20°	0.019 / 0.48	120	branco
319		30°	0.019 / 0.48	150	branco	0553319
419		40°	0.019 / 0.48	190	branco	0553419
519		50°	0.019 / 0.48	225	branco	0553519
619		60°	0.019 / 0.48	270	branco	0553619
719		70°	0.019 / 0.48	300	branco	0553719
819		80°	0.019 / 0.48	330	branco	0553819
919		90°	0.019 / 0.48	385	branco	0553919
Proteção contra incêndios		221	20°	0.021 / 0.53	120	branco
	321	30°	0.021 / 0.53	150	branco	0553321
	421	40°	0.021 / 0.53	190	branco	0553421
	521	50°	0.021 / 0.53	225	branco	0553521
	621	60°	0.021 / 0.53	270	branco	0553621
	721	70°	0.021 / 0.53	300	branco	0553721
	821	80°	0.021 / 0.53	330	branco	0553821

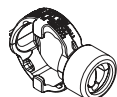
Aplicação	Marcação da agulheta	Ângulo de pulverização	Orifício inch / mm	Largura de pulverização <sup>1)</sup>	Filtro da pistola	Nº de encomenda
<b>Material contra incêndios para telhados</b>	223	20°	0.023 / 0.58	120	branco	0553223
	323	30°	0.023 / 0.58	150	branco	0553323
	423	40°	0.023 / 0.58	190	branco	0553423
	523	50°	0.023 / 0.58	225	branco	0553523
	623	60°	0.023 / 0.58	270	branco	0553623
	723	70°	0.023 / 0.58	300	branco	0553723
	823	80°	0.023 / 0.58	330	branco	0553823
<b>Materiais vedantes, Proteção contra a corrosão, Argamassa em spray</b>	225	20°	0.025 / 0.64	120	branco	0553225
	325	30°	0.025 / 0.64	150	branco	0553325
	425	40°	0.025 / 0.64	190	branco	0553425
	525	50°	0.025 / 0.64	225	branco	0553525
	625	60°	0.025 / 0.64	270	branco	0553625
	725	70°	0.025 / 0.64	300	branco	0553725
	825	80°	0.025 / 0.64	330	branco	0553825
	227	20°	0.027 / 0.69	120	branco	0553227
	327	30°	0.027 / 0.69	150	branco	0553327
	427	40°	0.027 / 0.69	190	branco	0553427
	527	50°	0.027 / 0.69	225	branco	0553527
	627	60°	0.027 / 0.69	270	branco	0553627
	827	80°	0.027 / 0.69	330	branco	0553827
	229	20°	0.029 / 0.75	120	branco	0553229
	329	30°	0.029 / 0.75	150	branco	0553329
	429	40°	0.029 / 0.75	190	branco	0553429
	529	50°	0.029 / 0.75	225	branco	0553529
	629	60°	0.029 / 0.75	270	branco	0553629
	231	20°	0.031 / 0.79	120	branco	0553231
	331	30°	0.031 / 0.79	150	branco	0553331
	431	40°	0.031 / 0.79	190	branco	0553431
	531	50°	0.031 / 0.79	225	branco	0553531
	631	60°	0.031 / 0.79	270	branco	0553631
	731	70°	0.031 / 0.79	300	branco	0553731
	831	80°	0.031 / 0.79	330	branco	0553831
	233	20°	0.033 / 0.83	120	branco	0553233
	333	30°	0.033 / 0.83	150	branco	0553333
	433	40°	0.033 / 0.83	190	branco	0553433
	533	50°	0.033 / 0.83	225	branco	0553533
	633	60°	0.033 / 0.83	270	branco	0553633
	235	20°	0.035 / 0.90	120	branco	0553235
	335	30°	0.035 / 0.90	150	branco	0553335
	435	40°	0.035 / 0.90	190	branco	0553435
535	50°	0.035 / 0.90	225	branco	0553535	
635	60°	0.035 / 0.90	270	branco	0553635	
735	70°	0.035 / 0.90	300	branco	0553735	
439	40°	0.039 / 0.99	190	branco	0553439	
539	50°	0.039 / 0.99	225	branco	0553539	
639	60°	0.039 / 0.99	270	branco	0553639	
<b>Aplicações Heavy Duty</b>	243	20°	0.043 / 1.10	120	verde	0553243
	443	40°	0.043 / 1.10	190	verde	0553443
	543	50°	0.043 / 1.10	225	verde	0553543
	643	60°	0.043 / 1.10	270	verde	0553643
	445	40°	0.045 / 1.14	190	verde	0553445
	545	50°	0.045 / 1.14	225	verde	0553545
	645	60°	0.045 / 1.14	270	verde	0553645
	451	40°	0.051 / 1.30	190	verde	0553451
	551	50°	0.051 / 1.30	225	verde	0553551
	651	60°	0.051 / 1.30	270	verde	0553651
	252	20°	0.052 / 1.32	120	verde	0553252
	455	40°	0.055 / 1.40	190	verde	0553455
	555	50°	0.055 / 1.40	225	verde	0553555
	655	60°	0.055 / 1.40	270	verde	0553655
	261	20°	0.061 / 1.55	120	verde	0553261
	461	40°	0.061 / 1.55	190	verde	0553461
	561	50°	0.061 / 1.55	225	verde	0553561
	661	60°	0.061 / 1.55	270	verde	0553661
	263	20°	0.063 / 1.60	120	verde	0553263
	463	40°	0.063 / 1.60	190	verde	0553463
	565	50°	0.065 / 1.65	225	verde	0553565
	665	60°	0.065 / 1.65	270	verde	0553665
	267	20°	0.067 / 1.70	120	verde	0553267
467	40°	0.067 / 1.70	190	verde	0553467	

1) Largura de pulverização a aproximadamente 30 cm de distância do objecto a ser pulverizado e uma pressão de 100 bar (10 MPa) com tinta de resina sintética com viscosidade de 20 DIN-segundos.

### 13.5 QUADRO DOS BICOS 2SPEED TIP



O inovador bico dispõe de 2 medidas, num só.



2 Speed Tip suporte  
Nº de encomenda 0271065

#### Tabela de agulhetas

Medida do bico	Materiais de revestimento		
	Vernizes (L)	Tintas de dispersão (D)	Raspadores sem ar (S)
Pequeno		D5 Agulheta: 111 / 415 Nº de encomenda 0271062	S5 Agulheta: 225 / 629 Nº de encomenda 0271064
		D7 Agulheta: 113 / 417 Nº de encomenda 0271063	
	L10 Agulheta: 208 / 510 Nº de encomenda 0271042	D10 Agulheta: 111 / 419 Nº de encomenda 0271045	S10 Agulheta: 527 / 235 Nº de encomenda 0271049
Médio	L20 Agulheta: 210 / 512 Nº de encomenda 0271043	D20 Agulheta: 115 / 421 Nº de encomenda 0271046	S20 Agulheta: 539 / 243 Nº de encomenda 0271050
Grande	L30 Agulheta: 212 / 514 Nº de encomenda 0271044	D30 Agulheta: 115 / 423 Nº de encomenda 0271047	S30 Agulheta: 543 / 252 Nº de encomenda 0271051
Muito grande		D40 Agulheta: 117 / 427 Nº de encomenda 0271048	
Filtro da pistola recomendado	vermelho	branco	-

## 13.6 CAIXAS DE BICOS

As caixas de bicos são um suplemento perfeito para o equipamento de pulverização de tinta, com tudo armazenado em segurança e com equipamento de projeto específico. Para se adequar de forma ideal na sua aplicação específica, existem quatro versões diferentes disponíveis.

	<b>Nº de ped.</b>
<b>1 Caixa de bicos HEA ProTip 3 Emulsão</b>	<b>2391870</b>
• 3x filtro da pistola branco, 50 MA, 0,31 mm MW, médio	0034 377
• 1x filtro da pistola amarelo, 180 MA, 0,084 mm MW, extra fino	0043 235
• Extensão completa do bico, 15 cm, rosca "G"	0556 074
• HEA ProTip 311	0554 311
• HEA ProTip 421	0554 421
• HEA ProTip 517	0554 517
• HEA ProTip 519	0554 519
<b>2 Caixa de bicos TradeTip 3 Laca</b>	<b>2391871</b>
• 3x filtro da pistola vermelho, 180 MA, 0,084 mm MW, extra fino	0034 383
• Extensão completa do bico, 15 cm, rosca "G"	0556 074
• Bico TradeTip 3 FineFinish 308	0554 308
• Bico TradeTip 3 FineFinish 410	0554 410
• Bico TradeTip 3 FineFinish 412	0554 412
• Bico TradeTip 3 FineFinish 510	0554 510
<b>3 Caixa de bicos 2SpeedTip Emulsão</b>	<b>2391872</b>
• 3x filtro da pistola branco, 50 MA, 0,31 mm MW, médio	0034 377
• 1x filtro da pistola vermelho, 180 MA, 0,084 mm MW, extra fino	0043 235
• Extensão completa do bico, 15 cm, rosca "G"	0556 074
• HEA ProTip 311	0554 311
• Bico 2SpeedTip D10 111/419	0271 045
• Bico 2SpeedTip D20 115/421	0271 046
• Bico 2SpeedTip D30 115/423	0271 047
<b>4 Caixa de bicos 2SpeedTip Laca</b>	<b>2391873</b>
• 4x filtro da pistola vermelho, 180 MA, 0,084 mm MW, extra fino	0034 383
• Extensão completa do bico, 15 cm, rosca "G"	0556 074
• Bico TradeTip 3 FineFinish 308	0554 308
• Bico TradeTip 3 FineFinish 410	0554 410
• Bico 2SpeedTip L20 210/512	0271 043
• Bico 2SpeedTip L30 212/514	0271 044



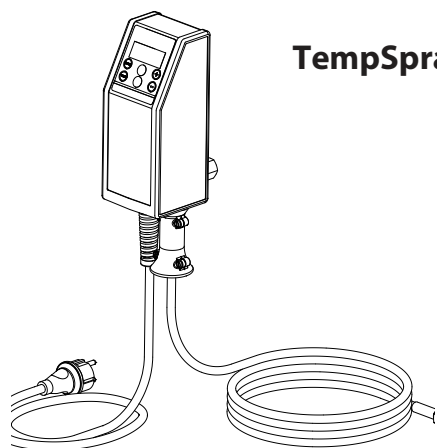
### 13.7 TEMPSPRAY

O material de tinta é aquecido à temperatura necessária de forma uniforme por um elemento de aquecimento eléctrico, que está localizado no interior do tubo (regulado entre 20 °C a 60 °C).

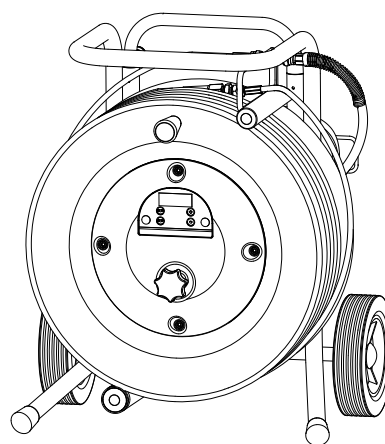
**Vantagens:**

- Temperatura de tinta regular e constante a temperaturas exteriores baixas
- Mais eficaz no funcionamento de materiais de revestimento de alta viscosidade
- Crescente eficiência de aplicação
- Economia ao nível de solventes devido à redução na viscosidade
- Adaptável a todas as unidades Airless

Nº de ped.	Descrição
2311659 2311852	<b>TempSpray H 126 (ideal para trabalhos com laca)</b> Unidade básica 1/4" incl. tubo de aço inoxidável, DN6, 1/4", 10m O Spraypack consiste em: unidade básica (2311659), pistola Airless Vector Grip (rosca-G), incl. suporte de boquilha Trade Tip 3 e 2SpeedTip L10 (208/510)
2311660 2311853	<b>TempSpray H 226 (ideal para dispersões/materiais com alta viscosidade)</b> Unidade básica 1/4" incl. enrolador do tubo, tubo aquecido DN10, 15m, tubo 1/4" DN4, 1m O Spraypack consiste em: unidade básica (2311660), pistola Airless Vector Grip (rosca-G), incl. suporte de boquilha Trade Tip 3 e 2SpeedTip D10 (111/419)
2311661 2311854	<b>TempSpray H 326 (ideal para dispersões/materiais com alta viscosidade)</b> Unidade básica 1/4" incl. enrolador do tubo, tubo aquecido DN10, 30m, tubo 1/4" DN4, 1m O Spraypack consiste em: unidade básica (2311661), pistola Airless Vector Grip (rosca-G), incl. suporte de boquilha Trade Tip 3 e 2SpeedTip D20 (115/421)



**TempSpray H 126**



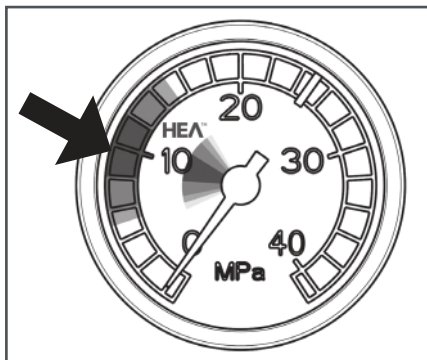
**TempSpray H 226  
TempSpray H 326**



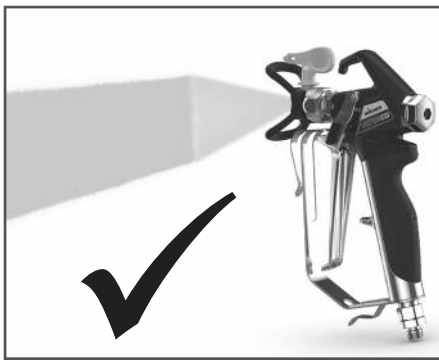
### 13.8 BICOS HEA PARA UMA PULVERIZAÇÃO SEM NÉVOA COM BAIXA PRESSÃO

HEA significa High Efficiency Airless, uma tecnologia de bicos inovadora que revoluciona a pulverização sem ar. Os bicos EA permitem que a pressão do pulverizador seja regulada para baixo e trabalhe na faixa de baixa pressão (idealmente em 80 - 140 bar). Neste caso, os bicos podem ser utilizados com todos os suportes de bicos TradeTip 3 e equipamentos WAGNER.

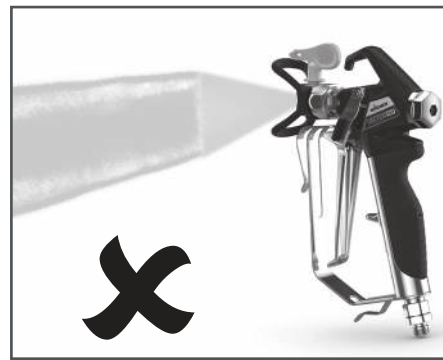
Algumas cores podem precisar ser diluídas para obter os melhores resultados. Em regra geral, o material pode ser diluído em até 10% (consulte também as instruções do fabricante do material).



Ajuste a pressão baixa na área do HEA e inicie.




Forma de pulverização uniforme sem bordas de pulverização.



Para bordas visíveis, aumente a pressão lentamente.

#### Tabela de agulhetas HEA

 Todas as agulhetas na tabela em baixo são fornecidas com o correspondente filtro de pistola.

Aplicação	Marcação da agulheta	Ângulo de pulverização	Orifício inch / mm	Largura de pulverização <sup>1)</sup>	Filtro da pistola	Nº de encomenda
Tintas de resina sintética Tintas de PVC	211	20°	0.011 / 0.28	120	vermelho	0554211
	311	30°	0.011 / 0.28	150	vermelho	0554311
	411	40°	0.011 / 0.28	190	vermelho	0554411
Tintas, primários Primários, Cargas	213	20°	0.013 / 0.33	120	vermelho	0554213
	313	30°	0.013 / 0.33	150	vermelho	0554313
	413	40°	0.013 / 0.33	190	vermelho	0554413
Cargas Tintas anticorrosivas	415	40°	0.015 / 0.38	190	amarelo	0554415
	515	50°	0.015 / 0.38	225	amarelo	0554515
	615	60°	0.015 / 0.38	270	amarelo	0554615
Tintas anticorrosivas Tintas de látex Tintas de dispersão	417	40°	0.017 / 0.43	190	branco	0554417
	517	50°	0.017 / 0.43	225	branco	0554517
	617	60°	0.017 / 0.43	270	branco	0554617
Tintas anticorrosivas Tintas de látex Tintas de dispersão	519	50°	0.019 / 0.48	225	branco	0554519
	619	60°	0.019 / 0.48	270	branco	0554619
Proteção contra incêndios	421	40°	0.021 / 0.53	190	branco	0554421
	521	50°	0.021 / 0.53	225	branco	0554521
	621	60°	0.021 / 0.53	270	branco	0554621

<sup>1)</sup>Largura de pulverização a aproximadamente 30 cm de distância do objecto a ser pulverizado e uma pressão de 100 bar (10 MPa) com tinta de resina sintética com viscosidade de 20 DIN-segundos.

## VERIFICAÇÃO DO APARELHO

Por razões de segurança, recomendamos que o aparelho seja revisto por um técnico qualificado sempre que tal o justifique - ou no mínimo cada 12 meses -, de modo a garantir a continuação de uso sem risco.

Nos aparelhos fora de serviço, a revisão pode ser adiada até à próxima colocação em funcionamento. No entanto, devem ser cumpridos também todos os regulamentos nacionais de inspecção e manutenção (eventualmente diferentes).

Se necessitar mais esclarecimentos, dirija-se aos serviços de apoio ao cliente da Wagner.

## CONSELHOS IMPORTANTES SOBRE A RESPONSABILIDADE DO PRODUTO

De acordo com a entrada em vigor de um regulamento CE, o fabricante só se responsabiliza pelo seu produto de forma ilimitada no caso de todas as peças serem genuínas ou fornecidas por ele, e se os aparelhos forem corretamente montados e operados. A utilização de acessórios e de peças sobressalentes de outros fabricantes pode anular, total ou parcialmente, a responsabilidade quando a utilização de acessórios ou de peças sobressalentes de outros fabricantes conduzir a uma falha do produto. em casos extremos, a utilização do aparelho poderá ser proibida pelas autoridades competentes.

Apenas a utilização de acessórios e peças sobressalentes originais da WAGNER garante a observância de todas as normas de segurança.

## OBSERVAÇÃO SOBRE A INUTILIZAÇÃO/ELIMINAÇÃO

Nos termos da Directiva europeia 2012/19/UE relativa aos resíduos de equipamentos eléctricos e da sua transposição para o direito nacional, este produto não deve ser eliminado no lixo doméstico, mas deve ser reencaminhado para reciclagem!.



O seu antigo aparelho da Wagner poderá ser entregue para eliminação e reciclagem nas nossas instalações ou junto de um dos nossos representantes. Para o efeito, dirija-se a um serviço de assistência, a um dos nossos representantes ou directamente a nós.

## DECLARAÇÃO DE GARANTIA

(Edição de 01.02.2009)

### 1. Âmbito da garantia

Todos os aparelhos profissionais de aplicação de tinta da Wagner (seguidamente designados de Produtos) são cuidadosamente verificados, testados e estão sujeitos a rigorosos controlos de qualidade realizados pela Wagner. Por conseguinte, a Wagner atribui exclusivamente ao utilizador comercial ou profissional, que tenha adquirido o produto num revendedor autorizado (seguidamente designado de "Cliente"), uma garantia alargada para os produtos indicados na Internet em [www.wagner-group.com/profi-guarantee](http://www.wagner-group.com/profi-guarantee).

As reclamações do comprador ao abrigo da garantia por defeito decorrentes de contrato de compra junto do vendedor, bem como todos os direitos legais não são limitados pela presente garantia.

A garantia é prestada sendo que será decisão nossa optar pela substituição ou reparação do produto ou de peças individuais ou ainda pela aceitação da devolução do produto contra o reembolso do valor de compra pago pelo comprador. Os custos de material e de mão-de-obra serão suportados por nós. Os produtos ou peças substituídos passarão a ser propriedade nossa.

### 2. Período de garantia e registo

O período de garantia é de 36 meses, no caso de utilização industrial ou de utilização intensiva, tal como, em especial, no caso de funcionamento por turnos ou de 12 meses no caso de aluguer.

No caso de aparelhos operados a gasolina ou pneumáticos, a garantia é igualmente de 12 meses.

O período de garantia inicia-se no dia da entrega do aparelho pelo revendedor autorizado. Para o efeito, considera-se a data da factura original da compra.

O período de garantia será prolongado 24 meses para todos os produtos adquiridos a partir de 01.02.2009 junto de um revendedor autorizado, no caso de o comprador desses aparelhos proceder ao respectivo registo a realizar no prazo de 4 semanas a contar a partir do dia da entrega junto do revendedor autorizado e nos termos das disposições que se seguem.

O registo realiza-se na Internet em [www.wagner-group.com/profi-guarantee](http://www.wagner-group.com/profi-guarantee). Como comprovativo é válido o certificado de garantia, bem como a factura original da compra, ambas indicando a data da compra. O registo só é possível quando o comprador declarar a sua concordância com a retenção dos seus dados que aí deverão ser introduzidos.

As prestações no âmbito da garantia não prolongam nem renovam o período de garantia do produto.

Depois de decorrido o respectivo período de garantia não poderão ser apresentadas reclamações no âmbito da garantia.

### 3. Procedimento

Se, no decurso do período de garantia, se verificarem defeitos de material, de fabrico ou do desempenho do aparelho, deverão as reclamações verificar-se num prazo máximo de 2 semanas.

O revendedor autorizado que forneceu o aparelho é a entidade responsável pela recepção das reclamações no âmbito da garantia. No entanto, as reclamações no âmbito da garantia também podem ser apresentadas num dos nossos centros de assistência a clientes indicados nas instruções de utilização. O produto tem de ser enviado ou apresentado em conjunto com a factura original de compra que inclui a data de compra e a designação do produto. Para a apresentação de um pedido de prolongamento da garantia deverá ainda anexar-se o certificado de garantia.

Os custos bem como o risco de perda ou de danos do produto durante o transporte de e para o centro que assegura a aplicação da garantia ou que entrega novamente o produto reparado, são assumidos pelo cliente.

### 4. Exclusões da garantia

As reclamações no âmbito da garantia não podem ser consideradas

- no caso de peças sujeitas a um desgaste natural decorrente da utilização ou outra circunstância, bem como falhas do produto cujas causas possam ser imputadas a desgaste natural decorrente da utilização ou outra circunstância. Aqui incluem-se, em especial, cabos, válvulas, embalagens, agulhetas, cilindro, êmbolos, peças da estrutura de transmissão de produtos, filtro, tubos, vedações, rotores, estatores, etc.. Os danos decorrentes de desgaste são principalmente provocados por materiais de revestimento abrasivos, como por exemplo tintas de dispersão, materiais de reboco, enchimentos, colas, vernizes, bases de quartzo.
- no caso de falhas em aparelhos decorrentes da não observância dos conselhos de utilização, utilização inadequada ou incorrecta, montagem incorrecta, reparação por parte do vendedor ou de terceiros, uma utilização que não esteja de acordo com as instruções, condições ambientais anómalas, materiais de revestimento inadequados, influências químicas, electroquímicas ou eléctricas, condições de utilização tecnicamente inapropriadas, funcionamento com a tensão/frequência de corrente errada, sobrecarga ou manutenção ou conservação e/ou limpeza inadequadas.
- no caso de falhas em aparelhos decorrentes da utilização de acessórios, peças complementares ou peças sobressalentes que não sejam originais da Wagner.
- no caso de produtos, nos quais tenham sido realizadas alterações ou correcções.
- no caso de produtos aos quais o número de série tenha sido removido ou este esteja ilegível
- no caso de produtos, nos quais tenham sido realizadas tentativas de reparação por pessoas não autorizadas.
- no caso de produtos com desvios mínimos às características nominais que não influenciem ou apenas influenciem ligeiramente o valor e a utilidade do aparelho.
- no caso de produtos, que tenham sido parcial ou completamente desmontados.

### 5. Disposições complementares

As garantias acima indicadas são exclusivamente válidas para produtos adquiridos a um revendedor autorizado da UE, CEI, Austrália e utilizados no seio do respectivo país.

Se a verificação indicar que a garantia não é aplicável, a reparação será por conta do cliente.

As presentes disposições regulamentam integralmente as relações jurídicas com a Wagner. Outras reclamações, em especial por danos e perdas, seja qual for a sua forma, decorrentes do produto ou da sua utilização, estão excluídas excepto as abrangidas pelo âmbito de aplicação da legislação em vigor em matéria de responsabilidade pelos produtos.

As reclamações por defeitos dos produtos realizadas junto dos revendedores mantêm-se inalteradas.

Esta garantia rege-se pelo direito alemão. A língua de contrato é o alemão. Em caso de divergência entre o significado da versão alemã e a versão estrangeira deste texto, prevalece o significado da versão alemã do texto.

J. Wagner GmbH  
Division Professional Finishing  
Otto Lilienthal Strasse 18  
88677 Markdorf  
República Federal da Alemanha

Reservado o direito de alterações · Printed in Germany

### Declaração de Conformidade UE

Pela presente garantimos, sob a nossa exclusiva responsabilidade, que este produto cumpre com as correspondentes disposições:

2006/42/CE, 2014/30/UE, 2011/65/UE, 2012/19/UE

Normas harmonizadas aplicadas:

EN 62841-1, EN 1953, EN 55014-1, EN 55014-2,  
EN 61000-3-2, EN 61000-3-3

A Declaração de Conformidade EU é fornecida juntamente com o produto.

Se necessário, pode ser pedido novo exemplar desta declaração com o número de encomenda **2385803**.

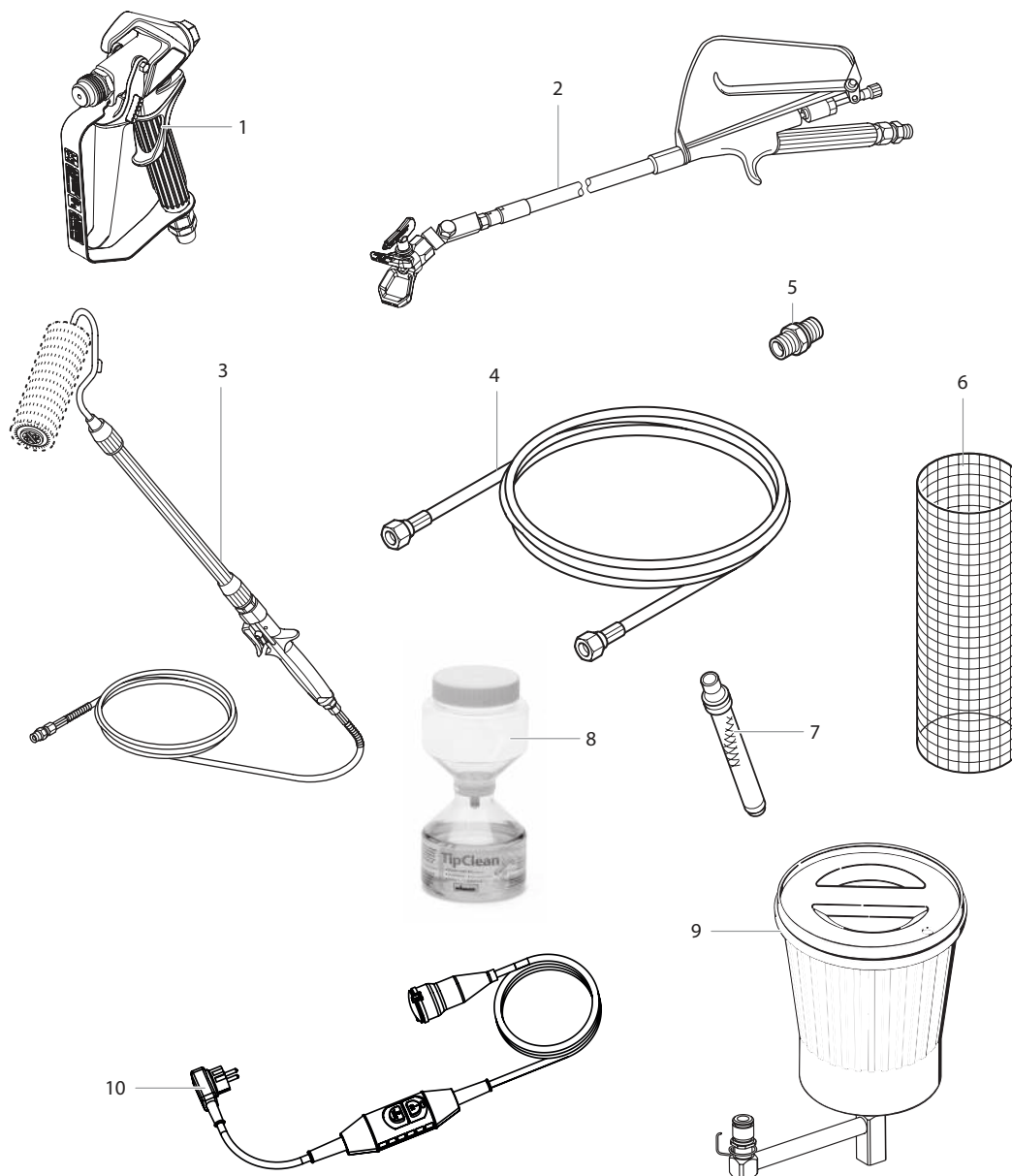


## ACESSÓRIOS

GB ACCESSORIES

E ACCESORIOS

P ACESSÓRIOS



#	PS 3.20	Description	Denominación	Descrição
1	0538 041	Spray gun, Vector Pro 2-finger	Pistola de pulverización Vector Pro 2 dedos	Pistola de pulverização Vector Pro 2 dedos
	0538 040	Spray gun, Vector Pro 4-finger	Pistola de pulverización Vector Pro 4 dedos	Pistola de pulverização Vector Pro 4 dedos
	0538 042	Spray gun, Vector Grip 2-finger	Pistola de pulverización Vector Grip 2 dedos	Pistola de pulverização Vector Grip 2 dedos
	0538 043	Spray gun, Vector Grip 4-finger	Pistola de pulverización Vector Grip 4 dedos	Pistola de pulverização Vector Grip 4 dedos
2	0296 441	Pole gun 120 cm, G-thread 7/8"	Pistola con alargadera 120 cm, rosca G, 7/8"	Pistola com vara 120 cm, rosca G 7/8"
	0296 443	Pole gun 120 cm, F-thread 11/16"	Pistola con alargadera 120 cm, rosca F, 11/16"	Pistola com vara 120 cm, rosca F 11/16"
	0296 442	Pole gun 200 cm, G-thread 7/8"	Pistola con alargadera 200 cm, rosca G, 7/8"	Pistola com vara 200 cm, rosca G 7/8"
	0296 444	Pole gun 200 cm, F-thread 11/16"	Pistola con alargadera 200 cm, rosca F, 11/16"	Pistola com vara 200 cm, rosca F 11/16"
3	0345 010	In-line roller IR-100	Rodillo In-line IR-100	Rolo In-line IR-100
4	9984 573	High-pressure hose DN 4 mm, 7.5 m with stainless steel nipple, 1/4"	Manguera de alta presión DN 4 mm, 7,5 m con racor de acero inoxidable, 1/4"	Tubo flexível de alta pressão DN 4 mm, 7,5 m com bocal de aço inoxidável, 1/4"
	9984 574	High-pressure hose DN 6 mm, 15 m for dispersion, 1/4"	Manguera de alta presión DN 6 mm, 15 m para pinturas de dispersión, 1/4"	Tubo flexível de alta pressão DN 6 mm, 15 m para dispersão, 1/4"
	9984 575	High-pressure hose DN 6 mm, 30 m for dispersion, 1/4"	Manguera de alta presión DN 6 mm, 30 m para pinturas de dispersión, 1/4"	Tubo flexível de alta pressão DN 6 mm, 30 m para dispersão, 1/4"
5	0034 038	Double socket for coupling high-pressure hoses (1/4" x 1/4")	Pieza de unión para acoplamiento de mangueras de alta presión (1/4" x 1/4")	Junção dupla para acoplar tubos flexíveis de alta pressão (1/4" x 1/4")
6	0034 950	Metex-Reuse Reuse for pre-filtering of coating material in vessel. Place suction pipe in the reuse.	Metex-Reuse Reuse para el filtrado previo del material de recubrimiento en el envase. Poner el tubo de aspiración directamente el Reuse.	Metex-Reuse Reuse para a pré-filtração do material de revestimento num recipiente. Colocar o tubo de sucção no Reuse.
	0034 952	Sieve package (5 pcs) for paint	Paquete de tamices (5 piezas) para laca	Embalagem de tamis (5 peças) para tinta
	0034 951	Sieve package (5 pcs) for dispersion	Paquete de tamices (5 piezas) para pinturas de dispersión	Embalagem de tamis (5 peças) para dispersão
7	0034 383	Gun filter, red, 1 piece; 180 mesh extra fine	Filtro de pistola, rojo, 1 unidad, malla 180 extra fine	Filtro da pistola, vermelho, 1 peça; Malha 180 extra fina
	0097 022	Gun filter, red, 10 pieces; 180 mesh extra fine	Filtro de pistola, rojo, 10 unidades, malla 180 extra fine	Filtro da pistola, vermelho, 10 peças; Malha 180 extra fina
	0043 235	Gun filter, yellow, 1 piece; 100 mesh fine	Filtro de pistola, amarillo, 1 unidad, malla 100 fine	Filtro da pistola, amarelo, 1 peça; Malha 100 fina
	0097 023	Gun filter, yellow, 10 pieces; 100 mesh fine	Filtro de pistola, amarillo, 10 unidades, malla 100 fine	Filtro da pistola, amarelo, 10 peças; Malha 100 fina
	0034 377	Gun filter, white, 1 piece; 50 mesh medium	Filtro de pistola, blanco, 1 unidad, malla 50 medium	Filtro da pistola, branco, 1 peça; Malha 50 média
	0097 024	Gun filter, white, 10 pieces; 50 mesh medium	Filtro de pistola, blanco, 10 unidades, malla 50 medium	Filtro da pistola, branco, 10 peças; Malha 50 média
	0089 323	Gun filter, green, 1 piece; 30 mesh coarse	Filtro de pistola, verde, 1 unidad, malla 30 coarse	Filtro da pistola, verde, 1 peça; Malha 30 grossa
	0097 025	Gun filter, green, 10 pieces; 30 mesh coarse	Filtro de pistola, verde, 10 unidades, malla 30 coarse	Filtro da pistola, verde, 10 peças; Malha 30 grossa
8	2401701	TipClean Cleaning Set for easy cleaning and conservation of nozzles	Kit de limpieza TipClean para limpieza fácil y conservación de boquillas	Conjunto de Limpeza TipClean para uma limpeza fácil e conservação das boquilhas
	0508 619	EasyGlide, special oil (118ml)	EasyGlide, aceite especial (118ml)	EasyGlide, óleo especial (118 ml)
	0508 620	EasyClean, cleaning and conservation agent (118 ml)	EasyClean, agente de conservación y limpieza (118 ml)	EasyClean, agente de limpeza e conservação (118 ml)
9	704-453	Top container for preparing small volumes and varnishes	Depósito superior para el procesamiento de cantidades pequeñas y esmaltes	Depósito superior para processamento de pequenas quantidades e de vernizes
10	2312 909	Personel protection switch (PRCD) 230V / 16A (3 m)	Interruptor de protección personal (fusible FI) 230V / 16A	Interruptor de protecção pessoal (PRCD) 230V / 16A (3 m)

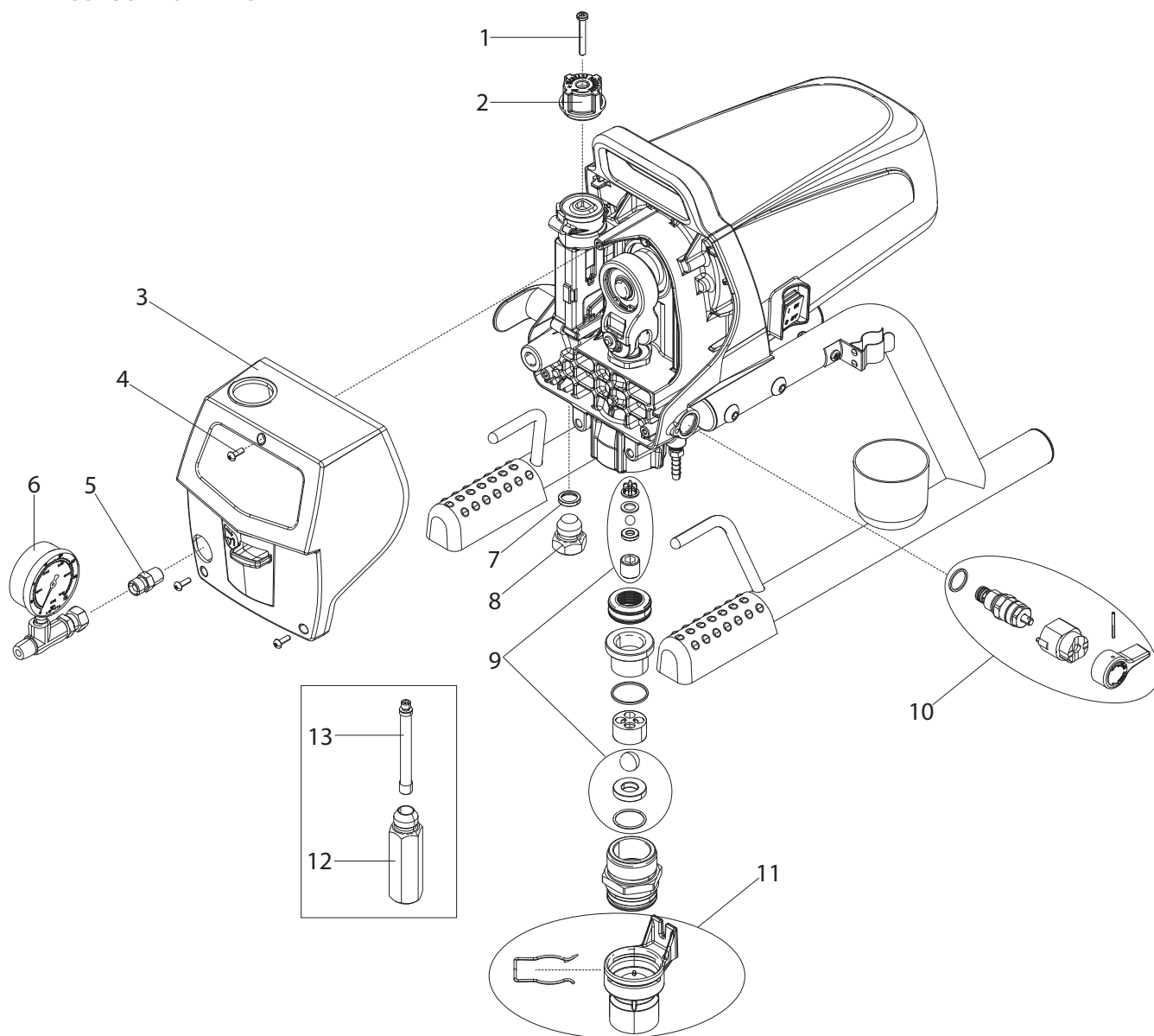


## PEÇAS SOBRESSELENTES

GB MAIN ASSEMBLY

E CONJUNTO PRINCIPAL

P CONJUNTO PRINCIPAL

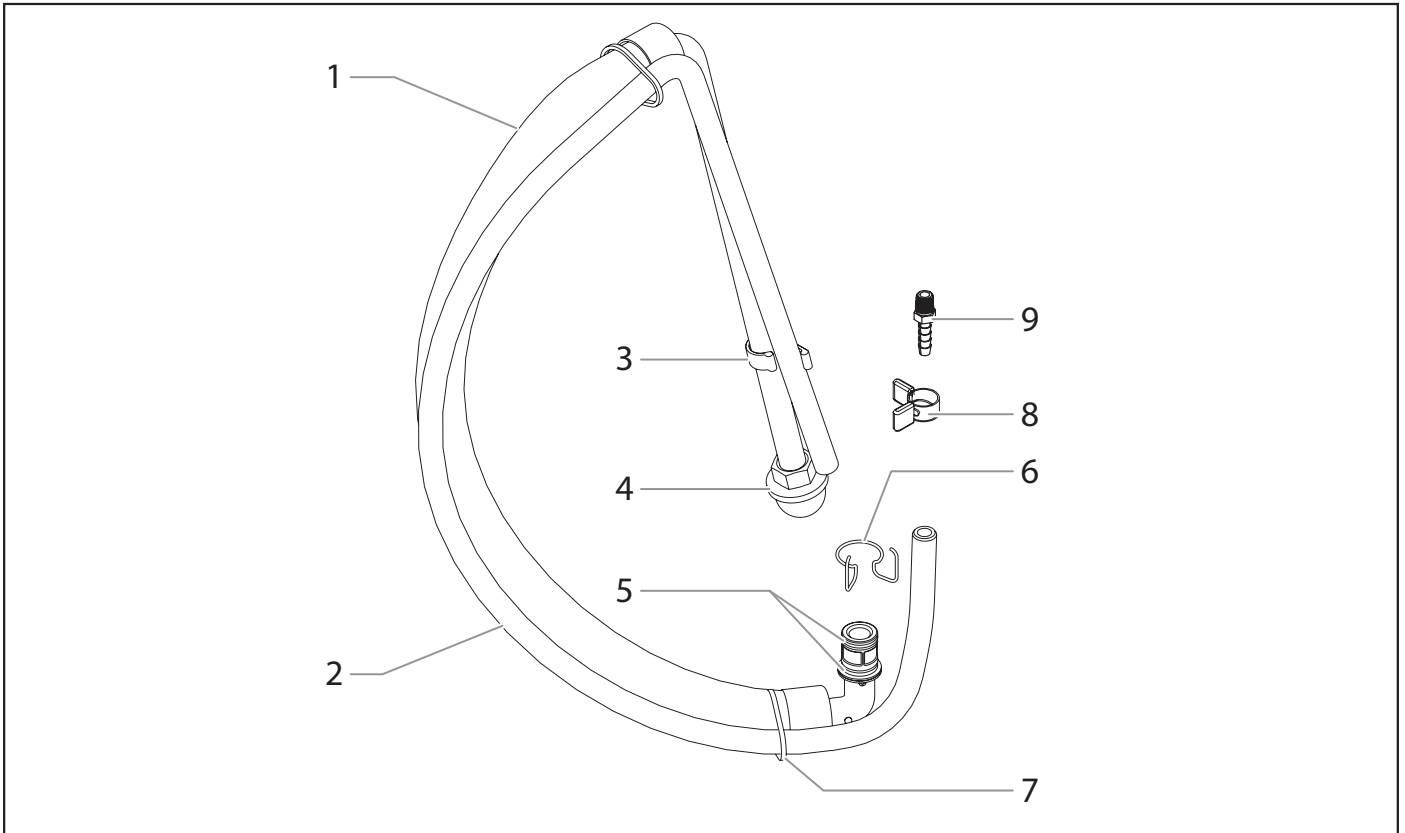


Pos.	PS 3.20	Description	Denominación	Descrição
1	9805300	Screw	Tornillo	Parafuso
2	0532355A	Pressure control knob	Mando regulador de presión	Botão regulador da pressão
3	0532222A	Front cover	Tapa frontal	Tampa frontal
4	0509218	Screw (3)	Tornillo (3)	Parafuso (3)
5	227-006	Outlet fitting	Pieza de unión	Junção dupla
6	2383995 340257	Pressure gauge Pressure gauge (Australia)	Manómetro Manómetro (Australia)	Manômetro Manômetro (Austrália)
7	560-038	Seal	Junta	Junta
8	0532357	Plug	Tapón	Tapón
9	0532917	Valve seat kit	Juego de asiento de la válvula	Kit de sede da válvula
10	0507254	PRIME/SPRAY valve assembly	Conjunto de válvula de cebado y pulverización	Conjunto da válvula ESCORVAR/PULVERIZAR
11	0532242A	Pusher assembly	Conjunto impulsor	Conjunto do propulsor
<b>Optional • Optional • Optioneel</b>				
12	0532360A	Filter housing	Caja de filtro	Corpo da filtro
13	540-030	Filter	Filtro	Filtro

**GB    SUCTION SYSTEM**

**E    SISTEMA DE ASPIRACIÓN**

**P    SISTEMA DE SUÇÃO**



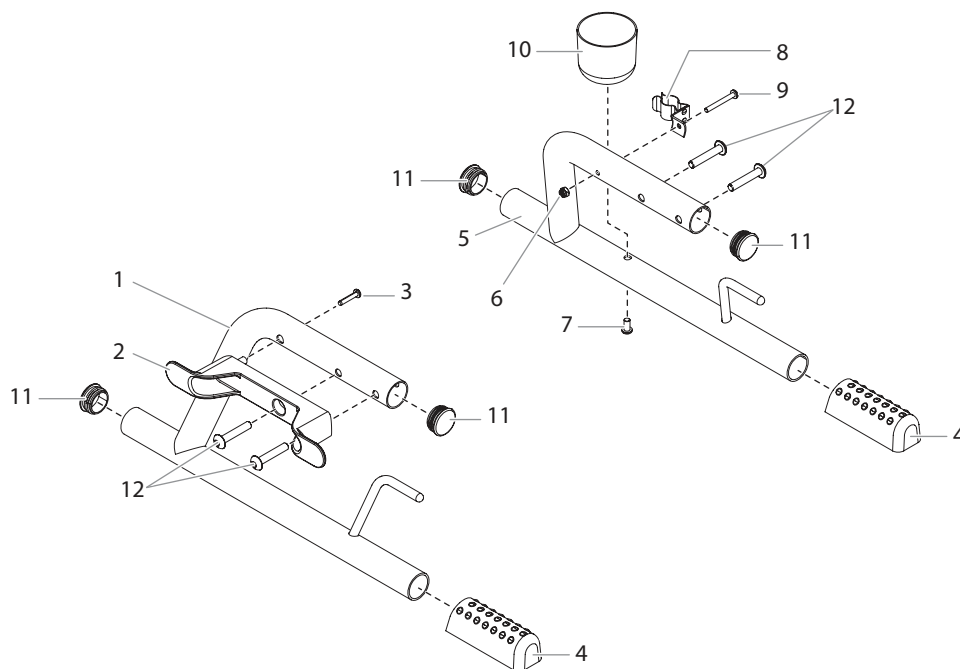
Pos.	PS 3.20	Description	Denominación	Descrição
1	0551706	Siphon tube assembly (includes items 1-8)	Sistema de aspiración (Pos. 1-8)	Sistema de sucção (Pos. 1-8)
2	0558659A	Return tube	Manguera de retorno	Tubo de retorno
3	0279459	Clip	Grapa	Grampo
4	0295565	Inlet screen	Filtro	Filtro
5	9871105	O-ring	Anillo tórico	Anel em O
	704-109	O-ring (for hot solvents, optional)	O-ring (para solventes calientes, opcional)	Joint torique (para solventes quentes, opcional)
6	9822526	Retaining clip	Grapa	Grampo
7	9850638	Tie wrap	Amarre del cable	Braçadeira
8	0327226	Return tube clamp	Grapa del tubo de retorno	Grampo do tubo de retorno
9	0551530	Return tube fitting	Acople del tubo de retorno	Conexão do tubo de retorno

## PEÇAS SOBRESSELENTES

GB STAND ASSEMBLY

E BASTIDOR-SOPORTE

P ESTRUTURA



Pos.	PS 3.20	Description	Denominación	Descrição
1	0532238A	Leg, right	Arco a la derecha	Apoio direito
2	0532356	Cord wrap	Soporte de cable de red	Suporte do cabo
3	700-642	Screw	Tornillo	Parafuso
4	805-342	Foot (2)	Pie (2)	Pé (2)
5	0532239A	Leg, left	Arco a la izquierda	Apoio esquerdo
6	0509856	Nut	Tuerca	Porca
7	9805230	Screw	Tornillo	Parafuso
8	806-216	Clip	Grapa	Grampo
9	704-243	Screw	Tornillo	Parafuso
10	700-1041	Drip cup	Recipiente de limpieza	Recipiente de gotejamento
11	0294635	Plug (4)	Tapón de cierre (4)	Tampão (4)
12	9805348	Screw (4)	Tornillo (4)	Parafuso (4)







- A** J. Wagner Ges.m.b.H.  
Ottogasse 2/20  
2333 Leopoldsdorf  
Österreich  
Tel. +43/ 2235 / 44 158  
Telefax +43/ 2235 / 44 163  
office@wagner-group.at
- B** WSB Finishing Equipment  
Veilinglaan 56-58  
1861 Meise-Wolvertem  
Belgium  
Tel. +32/2/269 46 75  
Telefax +32/2/269 78 45  
info@wagner-wsb.nl
- CH** Wagner International AG  
Industriestrasse 22  
9450 Altstätten  
Schweiz  
Tel. +41/71 / 7 57 22 11  
Telefax +41/71 / 7 57 22 22  
wagner@wagner-group.ch
- D** J. Wagner GmbH  
Otto-Lilienthal-Straße 18  
D-88677 Markdorf  
Postfach 11 20  
D-88669 Markdorf  
Deutschland  
Tel.: +49 / 75 44 / 505 -1664  
Fax: +49 / 75 44 / 505 -1155  
wagner@wagner-group.com  
www.wagner-group.com
- CZ** E-Coreco s.r.o.  
Na Roudné 102  
301 00 Plzeň  
Czechia  
Tel. +420 734 792 823  
Telefax 420 227 077 364  
info@aplikacebarev.cz
- DK** Wagner Spraytech  
Scandinavia A/S  
Helgeshøj Allé 28  
2630 Taastrup  
Denmark  
Tel. +45 43 27 18 18  
wagner@wagner-group.dk
- E** Makimport Herramientas, S.L.  
C/ Méjico nº 6  
Pol. El Descubrimiento  
28806 Alcalá de Henares (Madrid)  
Tel. 902 199 021/ 91 879 72 00  
Telefax 91 883 19 59  
ventas@grupo-k.es  
info@grupo-k.es
- F** Euromair Antony  
S.A.V. Ile-de-France  
12-14, av. F. Sommer  
92160 Antony  
Tel. 01.55.59.92.42  
Telefax +33 (0) 1 69 81 72 57  
conseil.paris@euromair.com
- F** Euromair Distribution  
Siège Social / S.A.V. Sud  
343, bd. F. Perrin  
13106 Rousset Cedex  
Tel. 04.42.29.08.96  
Telefax 04.42.53.44.36  
conseil@euromair.com
- GB** Wagner Spraytech (UK) Limited  
Innovation Centre  
Silverstone Park  
Silverstone  
Northants NN12 8GX  
Great Britain  
Tel. 01327 368410  
enquiries@wagnerspraytech.co.uk
- I** Wagner S.p.A.  
23868 Valmadrera (Lc)  
Via Santa Vecchia, 109  
Italia  
Tel./Fax 0341 210100 (centralino)  
wagner\_it\_va@wagner-group.com
- NL** WSB Finishing Equipment BV  
De Heldinnenlaan 200,  
3543 MB Utrecht  
Netherlands  
Tel. +31/ 30/241 41 55  
Telefax +31/ 30/241 17 87  
info@wagner-wsb.nl
- S** Wagner Spraytech  
Scandinavia A/S  
Helgeshøj Allé 28  
2630 Taastrup  
Denmark  
Tel. +45 43 27 18 18  
wagner@wagner-group.dk
- RU** Импортёр:  
ООО «ВинТех рус»  
143960 МО, г. Реутов, улица  
Железнодорожная, д. 11, кв./оф. V  
Телефон: +7 (499) 705-11-31  
info@wagner.ru  
Сайт: www.wagner.ru
- Изготовитель:  
Дж. Вагнер Гмбх,  
Отто-Лилентал, 18  
Д-88677 Маркдорф, Германия  
www.wagner-group.com



[www.wagner-group.com](http://www.wagner-group.com)