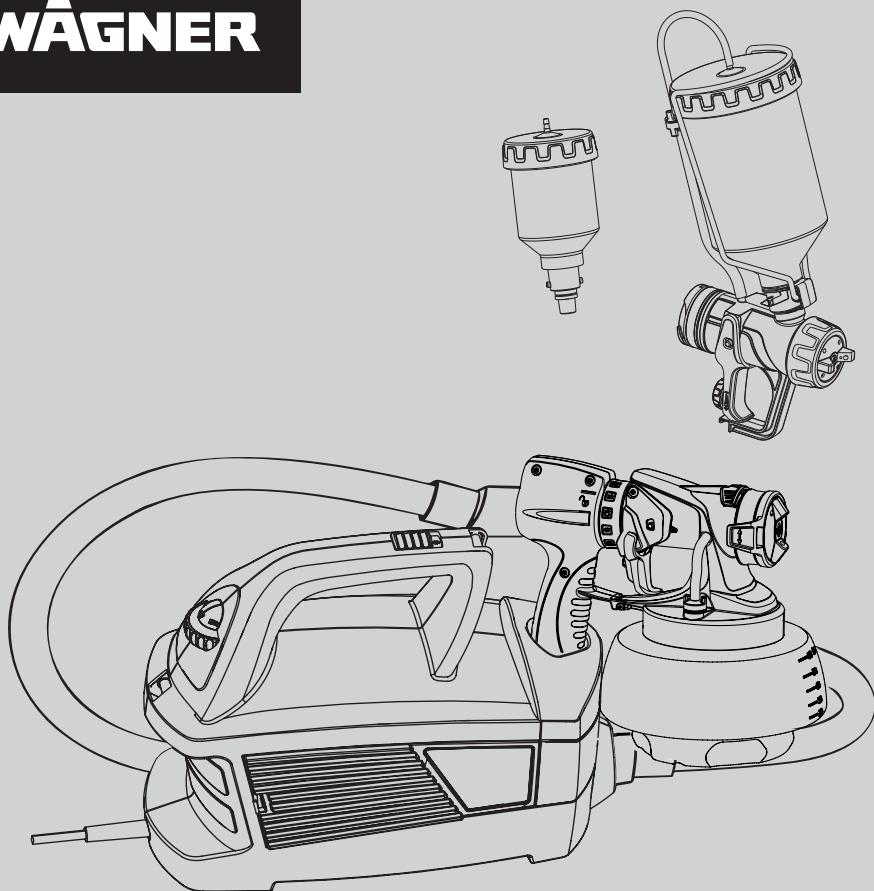
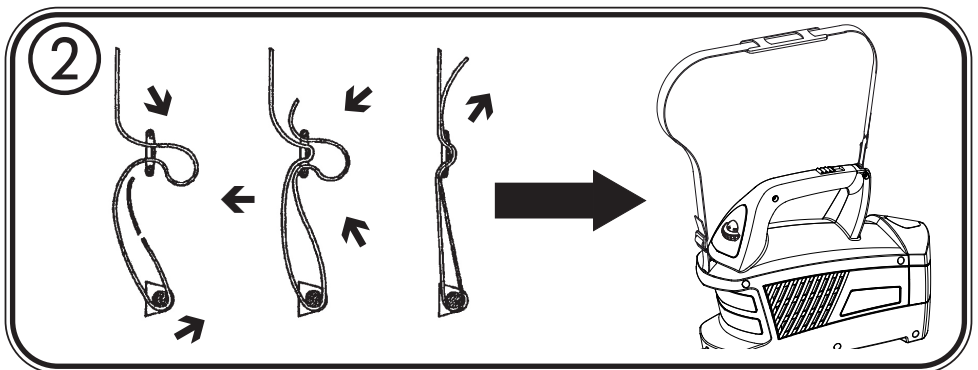
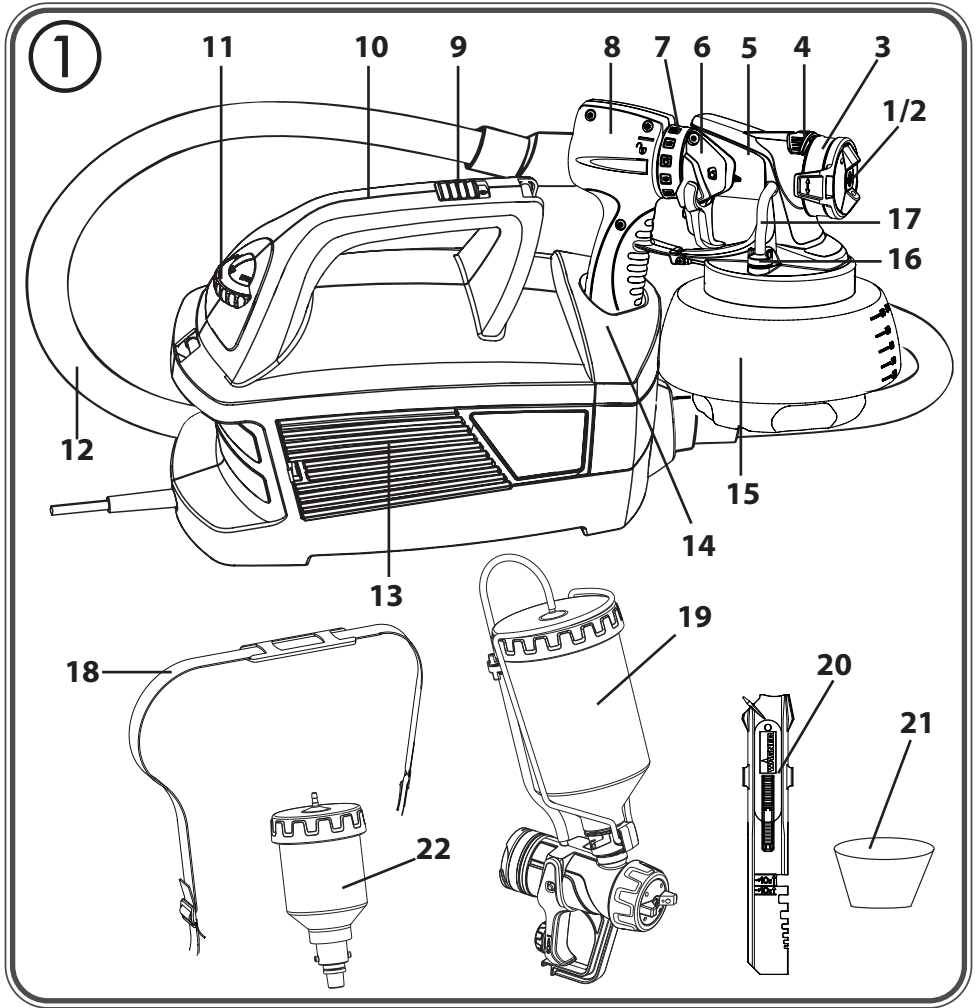


WAGNER

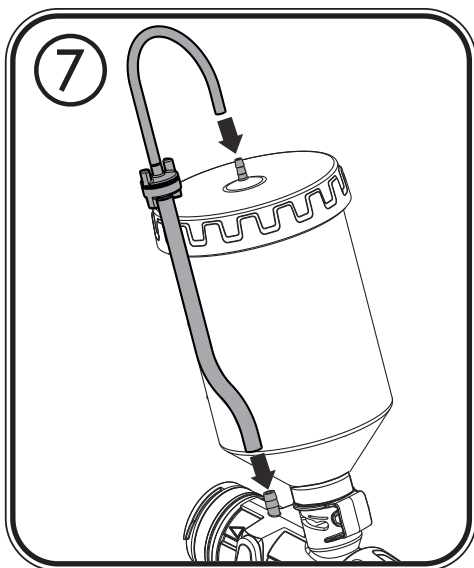
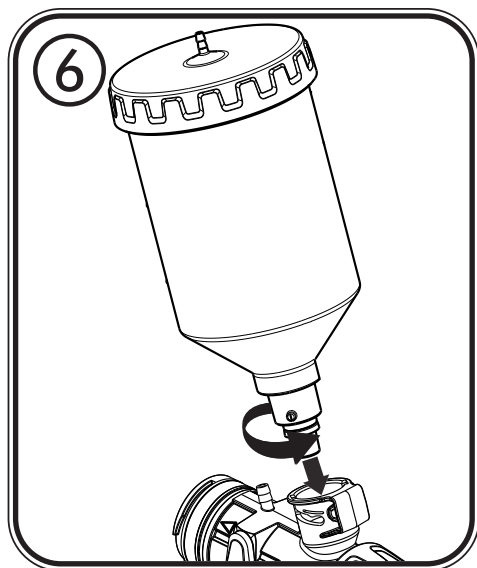
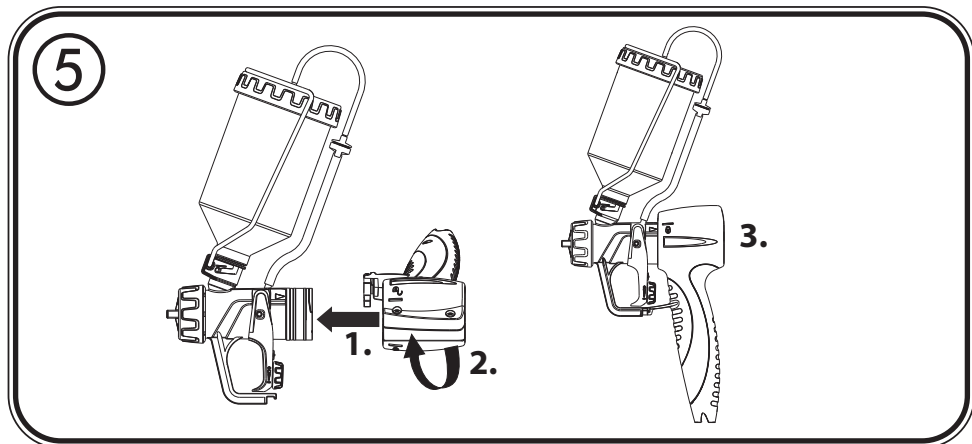
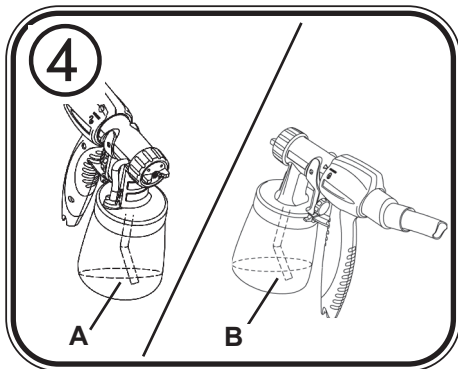
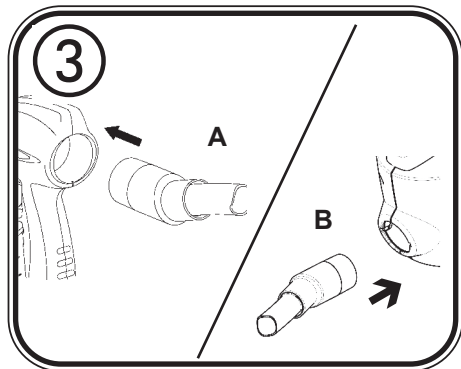


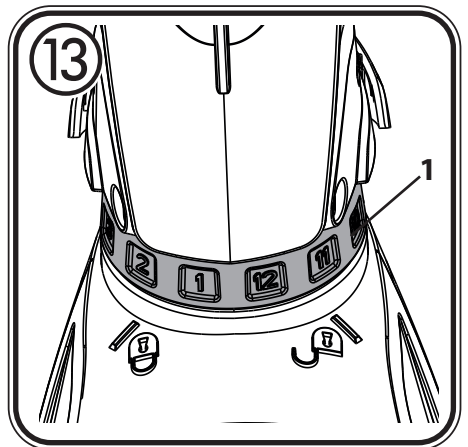
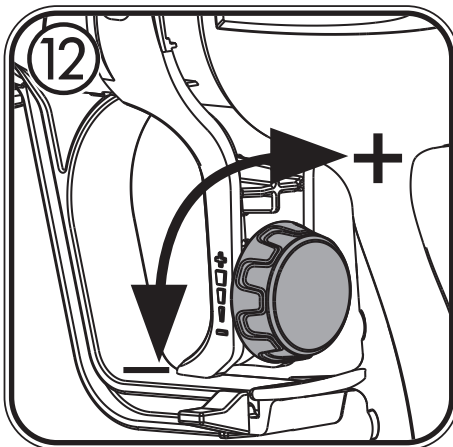
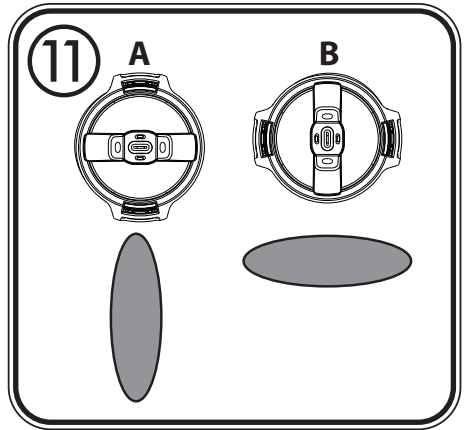
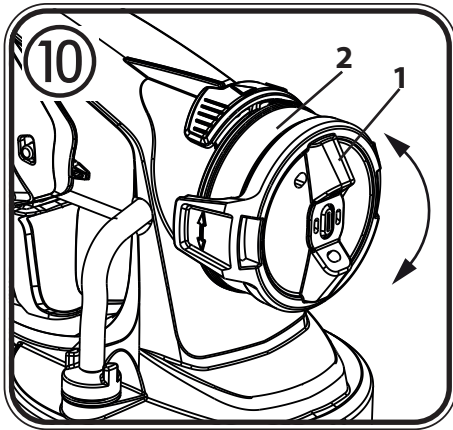
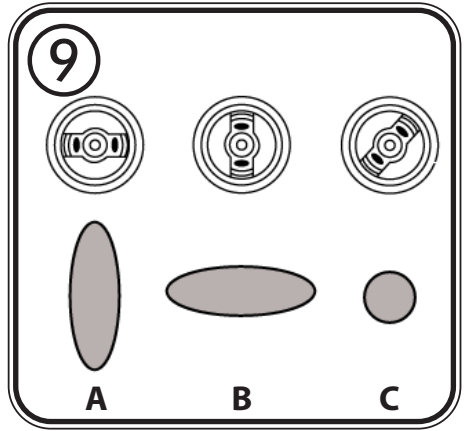
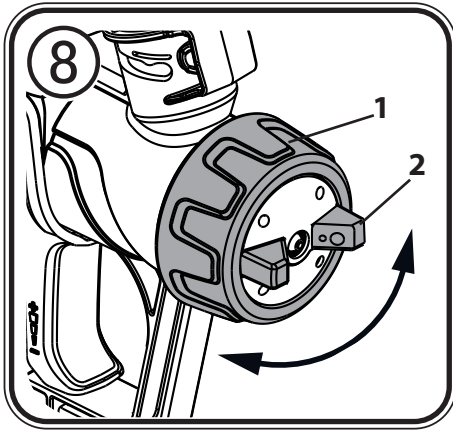
UNIVERSAL SPRAYER W 690 FLEXIO EXTRA SPRAY KIT OPERATING INSTRUCTIONS

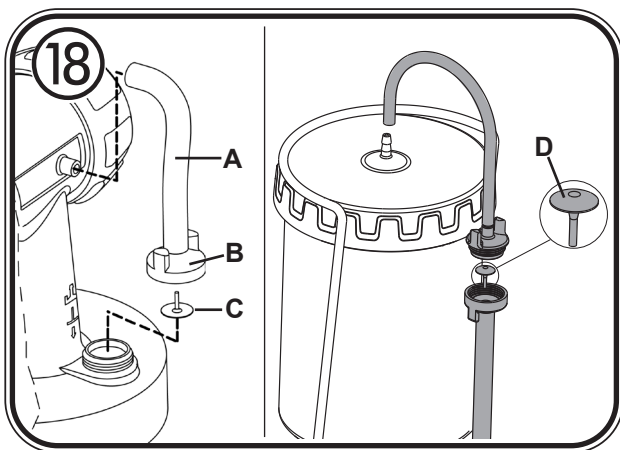
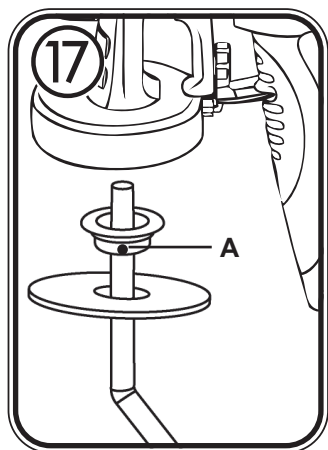
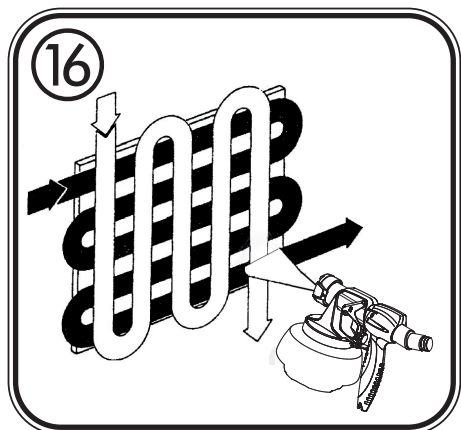
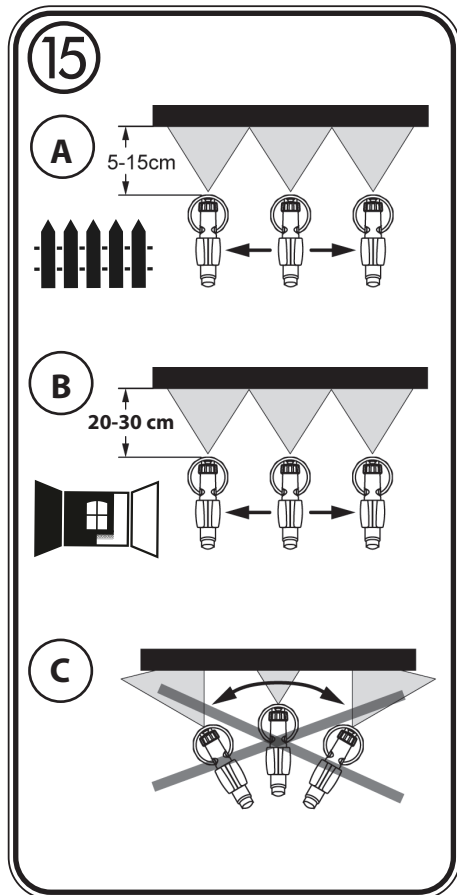
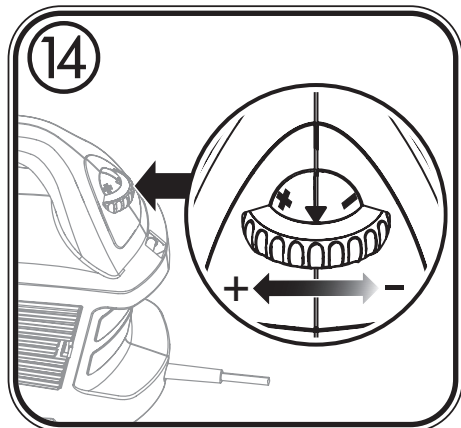
AUS

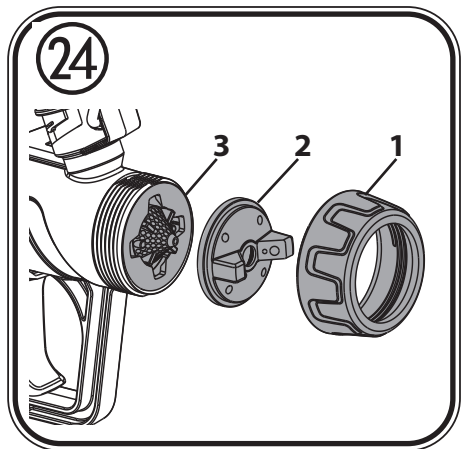
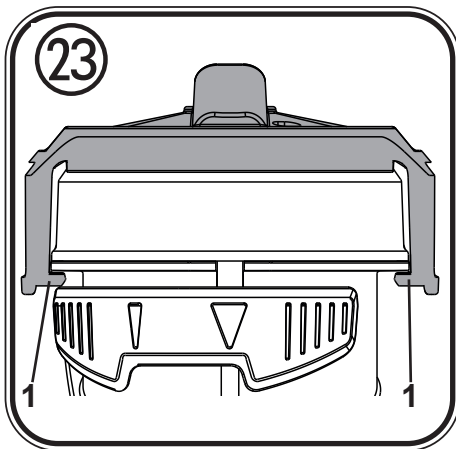
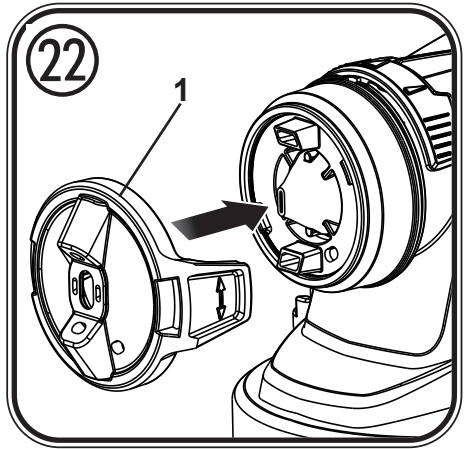
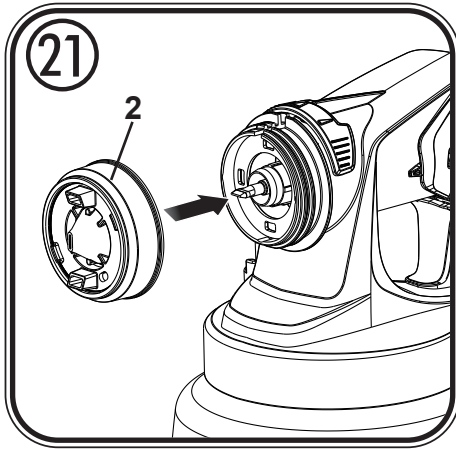
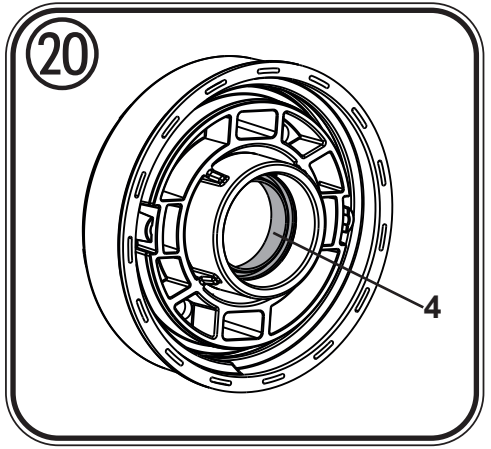
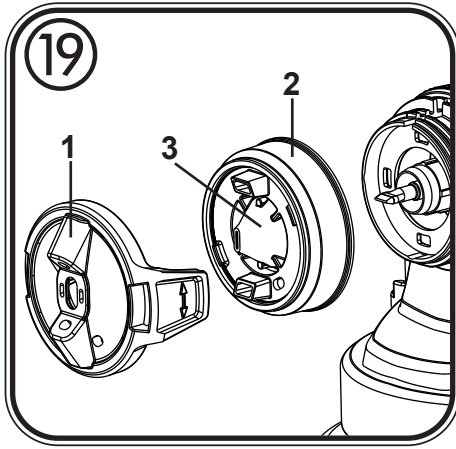


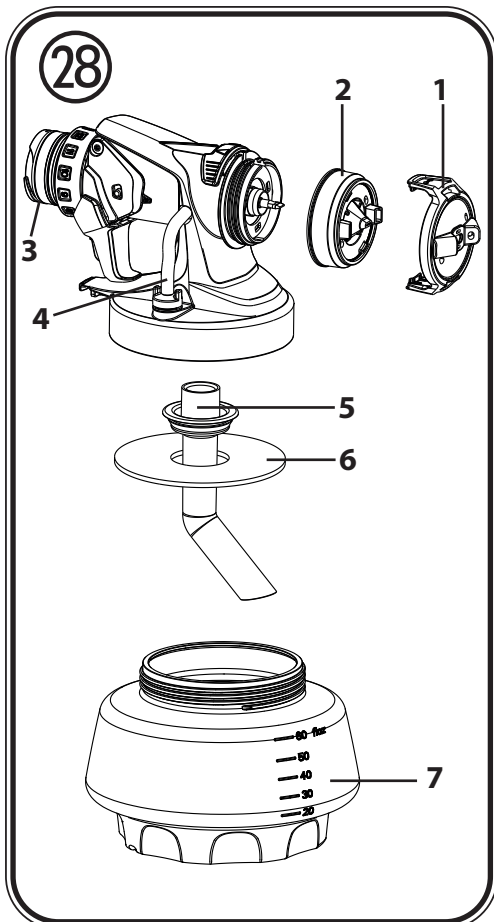
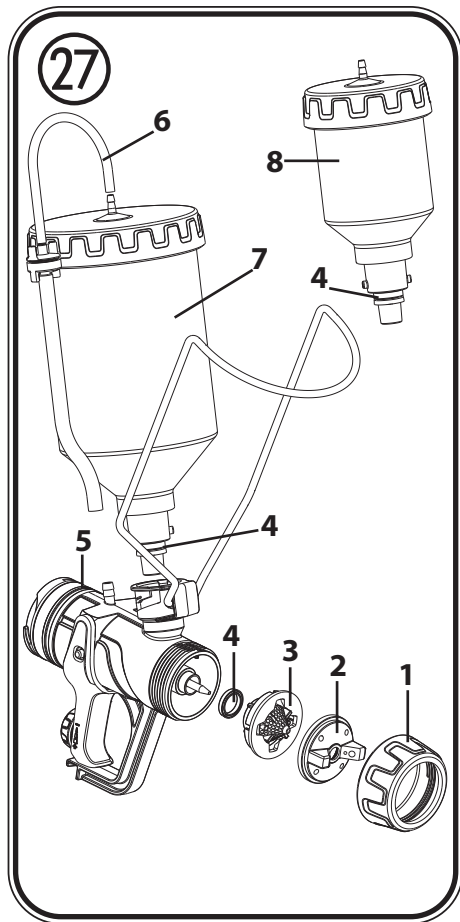
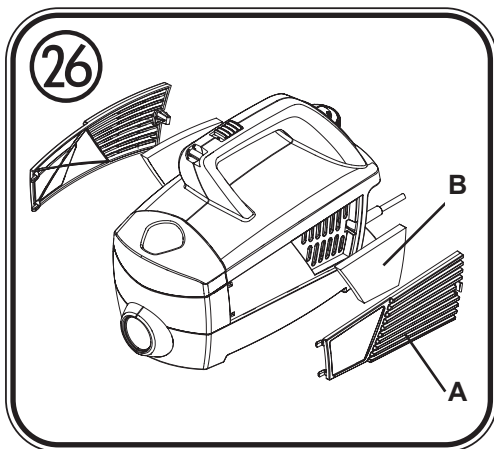
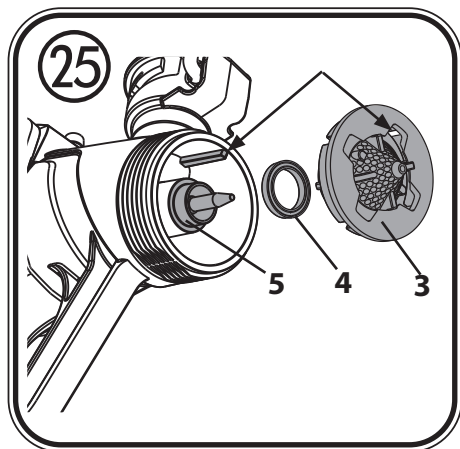
W 690 Flexio Extra Spray Kit





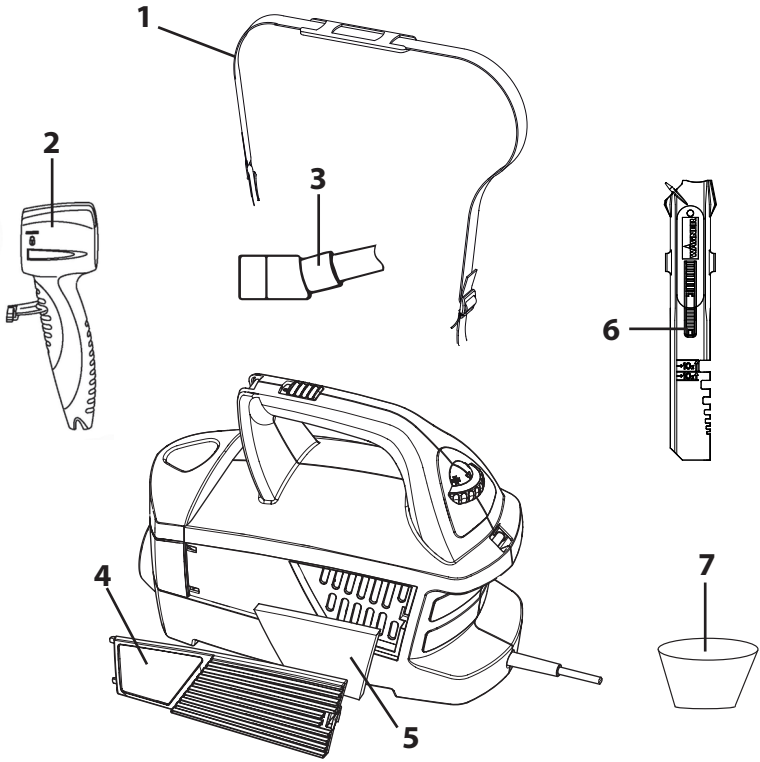






29

SPARE PARTS



Translation of the original operating instructions

MANY THANKS FOR PLACING YOUR TRUST IN US




We would like to congratulate you on purchasing this product from Wagner; we are sure that you will enjoy working with it greatly.

We would be happy to be of assistance if you have any questions, suggestions or requests. Please contact us via the phone number included on the back page or via our homepage, www.wagner-group.com/service.

Contents

1. Explanation of symbols used	2
2. General Safety Instructions	2
3. Safety Instructions for Spray Guns	5
4. Description/ Scope of delivery	6
5. Field of application	6
6. Preparation of the workplace (for interior wall paint)	7
7. Preparation of the Coating Material	7
8. Start-up	7
9. Selecting the Spray Setting (Gravity spray attachment)	8
10. Selecting the Spray Setting (Wall Extra I-Spray spray attachment)	9
11. Adjusting the Material Volume (Gravity spray attachment) (Fig. 12)	9
12. Adjusting the Material Volume (Wall Extra I-Spray spray attachment)	9
13. Setting the Amount of Air (Fig. 14)	10
14. Spray Technique	10
15. Taking Out of Operation and Cleaning	10
16. Cleaning the Wall Extra I-Spray spray attachment	11
17. Cleaning the Gravity spray attachment	12
18. Maintenance	12
19. Spare Parts	13
20. Accessories	14
21. Environmental protection	14
22. Important Note regarding Product Liability!	14
23. Correction of Malfunctions	15
24. Technical Data	16

1. Explanation of symbols used

	This symbol indicates a potential danger for you or for the device. Under this symbol you can find important information on how to avoid injuries and damage to the device.
	Danger of electrical shock
	Indicates tips for use and other particularly useful information.

2. General Safety Instructions

Caution! *Read all the instructions. Non-observance of the instructions below can cause electric shock, fire and or serious personal injuries. The term "power tool" used below covers both mains-operated power tools (with mains lead) and accumulator-operated power tools (without mains lead).*



1. Safety at the workplace

- a) **Keep your workplace clean and well lit.** *Disorder or unlit workplaces may result in accidents.*
- b) **Never use the tool in hazardous areas that contain flammable liquids, gases or dusts.** *Power tools generate sparks that can ignite the dust or vapors.*
- c) **Keep children and other persons away when using the power tool.** *You can lose control of the tool if you are distracted.*

2. Electrical Safety

- a) **The tool plug must fit into the socket. The plug may not be modified in any form. Do not use adaptor plugs together with protective-earthed tools.** *Unmodified plugs and suitable sockets reduce the risk of an electric shock.*
- b) **Avoid physical contact with earthed surfaces such as pipes, heating elements, stoves and refrigerators.** *The risk through electric shock increases if your body is earthed.*
- c) **Keep the equipment away from rain and moisture.** *The risk of an electric shock increases if water penetrates electrical equipment.*
- d) **Do not misuse the mains lead by carrying the tool by the lead, hanging it from the lead or by pulling on the lead to remove the plug. Keep the lead away from**

heat, oil, sharp edges or moving tool parts. *Damaged or twisted leads increase the risk of an electric shock.*

- e) **If you work outdoors with a power tool, only use extension cables suitable for outdoor use.** *The use of an extension lead that is suitable for outdoors reduces the risk of an electric shock.*
- f) **If you cannot avoid using the tool in a damp environment, use a residual current operated circuit-breaker.** *Using a residual current operated circuit-breaker avoids the risk of electric shock.*
- g) **It is recommended that the tool always be supplied via a residual current device having a rated residual current of 30 mA or less.**

3. Safety of Persons

- a) **Be attentive. Pay attention to what you are doing and work sensibly with a power tool. Do not use the tool if you are tired or under the influence of drugs, alcohol or medication.** *Just a moment of inattentiveness while using the tool can lead to serious injuries.*
- b) **Wear personal safety equipment and always wear safety goggles** *Wearing personal protective equipment, such as dust mask, non-slip safety shoes, safety helmet or ear protection, depending on the type of power tools, reduces the risk of injury.*
- c) **Avoid accidental starting-up. Make sure that the electric tool is switched off before you connect it to the power supply, pick it up or carry it.** *Accidents can occur if you carry the power tool while your finger is on the switch or if you connect the power tool to the power supply which it is on.*
- d) **Remove setting tools or wrenches before switching on the power tool.** *A tool or wrench that is in a rotating tool part can lead to injuries.*
- e) **Avoid an unnatural posture. Ensure that you are standing securely and have your balance at all times.** *This ensures that you can control the tool better in unexpected situations.*
- f) **Wear suitable clothing. Do not wear wide clothing or jewellery. Keep your hair, clothes and gloves away from moving parts.** *Loose clothing, jewellery or long hair can be caught in moving parts.*
- g) **Do not lull yourself into a false sense of security and do not think yourself above the safety rules for electric tools, even if you are familiar with the electric tool following extensive practical experience.** *Careless use can lead to serious injuries in fractions of a second.*

4. Usage and treatment of the electric tool

- a) **Do not overload the tool. Use the power tool designed for the work that you are doing.** *You work better and safer in the specified performance range if you use the suitable power tool.*
- b) **Do not use power tools whose switch is defective.** *A power tool that cannot be switched on or off is dangerous and has to be repaired.*
- c) **Remove the plug from the socket before carrying out tool settings, changing accessories or putting the tool away.** *This precautionary measure prevents unintentional starting of the tool.*
- d) **Store unused power tools so that they are inaccessible to children. Do not let persons use the tool who are not familiar with it or who have not read these instructions.** *Power tools are dangerous when they are used by inexperienced persons.*
- e) **Take proper care of your tools. Check whether the moving parts function trouble-free and do not jam, whether parts are broken or damaged so that the tool function is impaired. Have damaged parts repaired before using the tool.** *Many accidents have their origin in power tools that have been maintained badly.*
- f) **Use the power tool, accessories, insert tools, etc. in accordance with these instructions and in a fashion specified for this special tool type. Take the working conditions and the activity to be carried out into consideration.** *The use of power tools for purposes other than the intended ones can lead to dangerous situations.*
- g) **Keep the handles and grip surfaces dry, clean and free of oil and grease.** *Slippery handles and grip surfaces hamper safe operation and control of the electric tool in unforeseen situations.*

5. Service

- a) **Have your tool repaired only by qualified specialist personnel and only with original spare parts.** *This ensures that the tool safety is maintained.*
- b) **If the supply cord is damaged, it must be replaced by the manufacturer or its service agent or a similarly qualified person in order to avoid a safety hazard.**

3. Safety Instructions for Spray Guns

CAUTION! Wear breathing equipment: Paint mist and solvent vapors are damaging to health. Always wear breathing equipment and only work in well ventilated rooms or using supplementary ventilating equipment. It is advisable to wear working clothing, safety glasses, ear protection and gloves.



CAUTION: Danger of injury! Never point the spray stream towards human beings or animals.



Sockets and plugs must be masked. Risk of an electric shock as a consequence of sprayed material entering the socket!



Attention! Never operate the device if the nozzle seal is either damaged or missing. If the nozzle seal is either missing or damaged liquids can enter the device and increase the risk of an electric shock. Check the nozzle seal before each use and tighten the union nut.

- Do not use the spray guns to spray flammable substances.
- The spray guns are not to be cleaned with flammable solvents.
- Caution against dangers that can arise from the sprayed substance and observe the text and information on the containers or the specifications given by the substance manufacturer.
- Do not spray any liquid of unknown hazard potential.
- The device may not be used in workplaces covered by the explosion-protection regulations.
- To avoid the hazard of explosion when spraying, provide for effective natural or artificial ventilation.
- There must be no sources of ignition such as, for example, open fires, smoke of lit cigarettes, cigars and tobacco pipes, sparks, glowing wires, hot surfaces, etc. in the vicinity during spraying.
- Ensure that no solvent vapors are sucked in by the unit. Do not spray onto the unit!
- The spray gun is not a toy; children must therefore not be allowed to handle it or play with it.
- Before working on the spray gun remove the power plug from the socket.
- Cover areas that are **not** to be sprayed. When working keep in mind that wind, for example, may transport paint mist over great distances and cause damage.
- The units may only be used with a functional valve. **If paint rises in the ventilating hose (Fig. 1, item 17) do not operate the unit further!** Dismantle and clean the ventilating hose, valve and diaphragm and replace the diaphragm if necessary.
- Do not lay the spray gun.

With original WAGNER accessories and spare parts, you have the guarantee that all safety regulations are fulfilled.

4. Description/ Scope of delivery





Description/ Scope of delivery (Fig. 1)	
1) Air cap	2) Nozzle
3) Union nut	4) Spray jet width adjustment
5) Wall Extra I-Spray spray attachment	6) Trigger
7) Material volume regulation	8) Gun handle
9) ON/OFF switch	10) Carry handle
11) Air volume control	12) Air hose
13) Cover of air filter compartment	14) Gun holder
15) Container (800 ml)	16) Valve
17) Ventilating hose	18) Carrying belt
19) Gravity spray attachment	20) Stirring rod
21) Feed hopper (2 pcs.)	22) Container (150 ml, Gravity spray attachment)
23) Replacement nozzle seal (Gravity spray attachment)*	24) Practice poster
25) Operating instructions (without illustration)	26) Lubricating grease (without illustration)*

* This is inside the container: remove it before starting operations!

5. Field of application

Many different coating substances can be processed with the W 690.

A different spray attachment must be used, depending on the coating substance:

Coating Materials Suitable for Use	Spray attachment
Low-viscosity coating substances: Water- and solvent-based paints, finishes, primers and wood sealer-preservatives	Gravity  
Interior and exterior water based acrylic wall, ceiling and fence paints, primers and undercoats.	Wall Extra I-Spray  

Coating Materials Not Suitable for Use

Materials that contain highly abrasive components, facade paint, caustic solutions and acidic coating substances. Flammable materials.

6. Preparation of the workplace (for interior wall paint)



Sockets and plugs must be masked. Risk of an electric shock as a consequence of sprayed material entering the socket!



Mask all the areas and objects that are not to be spray painted, or remove them from the work area. No liability is assumed for damage due to overspray. Silicate paint corrodes glass and ceramic surfaces upon contact! All such surfaces must therefore be completely covered.



Pay attention to the quality of the adhesive tape used. Do not use excessively strong adhesive tape on wallpaper and painted surfaces, in order to avoid damaging these surfaces when removing the tape. Remove adhesive tape slowly and evenly; do not use jerky movements. Do not leave adhesive tape on surfaces any longer than necessary, in order to minimise the possibility of residues when removing. Also observe the adhesive tape manufacturer's instructions.

7. Preparation of the Coating Material

- Mix the material well in the original container. When using interior wall paint, an agitator is recommended.



W 690 has been developed for use with all conventional paints in their undiluted form. If the surface is smooth and the paint you are using is very thick and gel-like, dilute it by 10%. Dilution can be necessary if the atomisation is coarse or if the flow rate is too low even at the maximum setting.

Detailed information about the various materials and the maximum permitted dilution can be found on the manufacturers' technical data sheets (e.g. available on the Internet).



Spray material that is at least at room temperature provides a better spray result.

8. Start-up

Before connecting to the mains supply, be sure that the supply voltage is identical with the value given on the rating plate.

Put the machine down only on a level, clean surface. Otherwise, the gun may suck in dust, etc.

1. Attach the carrying strap to the unit. (Fig. 2)
2. Mount the air hose (Fig. 3, A + B). Insert the air hose firmly into the connection of the unit and the gun handle.

Wall Extra I-Spray spray attachment

3. Unscrew the container from the spray gun.
4. Aligning suction tube. (Fig. 4)
If the suction tube is positioned correctly, the container contents can be sprayed without almost any residue.
When spraying horizontal surfaces, turn suction tube forward. (Fig. 4 A)
When spraying objects overhead, turn suction tube back. (Fig. 4 B)
5. Set the container on a sheet of paper, pour in the prepared coating material and screw the container tightly onto the spray gun.
6. Connect the front part with the rear part of the gun. (Fig. 5)

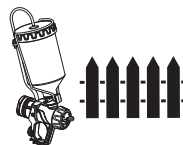
Gravity spray attachment

7. Insert the container in the gun body and secure by turning with the bayonet lock. (Fig. 6)
 8. Connect the front part with the rear part of the gun. (Fig. 5)
 9. Place the gun with the pedestal folded out on an even surface.
- i** Only fill the container once it is attached to the gun, otherwise the coating material will leak out.
10. Pour the prepared coating material into the container.
 11. Close the container with the cover.
 12. Attach the valve hoses to the container cover and gun body. (Fig. 7)



The enclosed practice poster is ideal for familiarising yourself with operation of the spray gun. After trying out the first spray coatings, it makes sense to test it further on cardboard or a similar surface in order to find out the right flow rate of paint and air for the best spray pattern. Detailed information about these settings can be found in chapter 9- 13.

9. Selecting the Spray Setting (Gravity spray attachment)



WARNING!

Danger of injury! Never pull the trigger guard while adjusting the air cap.

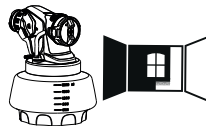
With the union nut (fig. 8, 1) slightly unscrewed, turn the air cap (2) to the desired spraysetting position (arrow). Then tighten the union nut.

Fig. 9 A = vertical flat jet → for horizontal surfaces

Fig. 7 B = horizontal flat jet → for vertical surfaces

Fig. 7 C = circular jet → for corners, edges and hard-to-reach surfaces

10. Selecting the Spray Setting (Wall Extra I-Spray spray attachment)



WARNING! Danger of injury! Never pull the trigger guard while adjusting the air cap.

2 different spray jet shapes can be set by turning the air cap (fig. 10, 1)

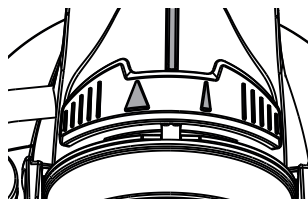


Tighten the union nut (Fig. 8, 2) fully so that no paint is able to penetrate the device. Check regularly whether the union nut has worked loose during operation.

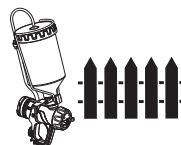
Fig. 11 A = vertical flat jet → for horizontal surfaces

Fig. 11 B = horizontal flat jet → for vertical surfaces

Use the red adjustment lever to also switch between a wide (▷) and a narrow (▷) spray jet.



11. Adjusting the Material Volume (Gravity spray attachment) (Fig. 12)

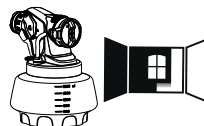


Set the material volume by turning the regulator on the trigger guard of the spray gun.

- turn to the left → lower material volume

+ turn to the right → higher material volume

12. Adjusting the Material Volume (Wall Extra I-Spray spray attachment)



The volume of material can be set by turning the material volume control (Fig. 13, 1) in steps from 1 (minimum) to 12 (maximum).

13. Setting the Amount of Air (Fig. 14)

Depending on the viscosity of the material to be sprayed and the finish of the object to be coated, it may be advisable to vary the amount of air. Very low viscosity materials, such as watery glazes do not have to be atomised with the maximum amount of air.

This also applies for the use of the Detail and Corner&Reach spray attachment (accessory).

- turn to the right → lower amount of air
- + turn to the left → higher amount of air

14. Spray Technique



The spray result depends heavily on the smoothness and cleanliness of the surface to be sprayed. Therefore the surface should be carefully prepared and kept free of dust.

- Cover all surfaces not to be sprayed.



Important: Start at the edge of the area to be sprayed. Start the spray movement first of all, and then press the trigger. Avoid interruptions within the area to be sprayed.

- The spray movement should come from the arm, not just from the wrist. This ensures that a uniform distance is maintained between the spray gun and the spray surface during the spray operation. Select a distance of 5 - 15 cm, depending on the desired spray jet width. When you are using interior wall paint, the distance should be about 20-30 cm (approx. one stirring rod in length).

Fig. 15 A/ 15 B: CORRECT Even distance to the object.

Fig. 15 B: INCORRECT An uneven distance will result in uneven paint application.



"Cross spray" when using paint with a poor covering capacity or if the surface is highly absorbent (Fig. 16).



Interior wall paint in strong colour shades should be applied at least twice (allow first paint coat to dry first). This will ensure good coverage.

15. Taking Out of Operation and Cleaning

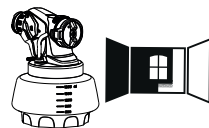
Proper cleaning is the prerequisite for problem-free operation of the paint application device. No warranty claims are accepted in case of improper or no cleaning. When processing 2-component varnishes, clean the device immediately.

- 1) Turn the machine off. Vent the container in case of longer breaks and after the work has been terminated. This can be done by briefly turning open and then closing the

container or by pulling the trigger guard and letting the paint into the original paint container.

- 2) Divide the spray gun. Press the hook (Fig. 5) slightly downwards. Turn the gun front part and gun rear part against each other and take them apart.

16. Cleaning the Wall Extra I-Spray spray attachment



- 1) Unscrew the container. Empty any remaining coating material back into the material tin.
- 2) Pull out the suction tub with container seal. Clean the ventilating bore (Fig. 17, A).

CAUTION! Never clean seals, diaphragm and nozzle or air holes of the spray gun with metal objects.

The ventilation hose and diaphragm are only solvent-resistant to a limited extent. Do not immerse in solvent, only wipe.

- 3) **The unit may only be operated with an integer diaphragm (Fig. 18, C).** If any paint has penetrated to the ventilation hose, check and clean the membrane (see the Maintenance chapter).
- 3) Move the air cap (Fig. 19, 1) to the vertical position for easier removal and lift it off.
- 4) Unscrew the union nut (fig. 19, 2). Clean the air cap (1) and nozzle (3) with a brush and solvent or water.



Attention! Never remove the red nozzle seal from the nozzle. If the nozzle seal is either missing or damaged liquids can enter the device and increase the risk of an electric shock.

Assembly



Attention! Never operate the device if the nozzle seal is either damaged or missing. If the nozzle seal is either missing or damaged liquids can enter the device and increase the risk of an electric shock.

- 1) Check the nozzle seal (fig. 20, 4) in the nozzle.
- 2) Screw the union nut (Fig. 21, 2) onto the gun and tighten it.

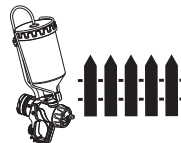


Tighten the union nut (Fig. 21, 2) fully so that no paint is able to penetrate the device.

- 3) Engage the air cap (Fig. 22, 1) with the union nut. **Check if the air cap has properly locked into place on both sides. (Fig. 23, 1)**
- 4) Place the container seal from below on the suction tube and slide it over the collar, while turning the container seal slightly.
- 5) Insert the suction tube with container seal in the gun body.

In order to mount the gun more easily apply lubricating grease (enclosed) liberally to the O-ring at the gun front part. (Fig. 28, 3)

17. Cleaning the Gravity spray attachment



- 1) Unscrew the container cover and pour any remaining coating material back into the original container.

CAUTION! Never clean seals, diaphragm and nozzle or air holes of the spray gun with metal objects.

The ventilation hose and diaphragm are only solvent-resistant to a limited extent. Do not immerse in solvent, only wipe.

- 2) **The unit may only be operated with an undamaged diaphragm (Fig. 18, D).** If any paint has penetrated to the ventilation hose, check and clean the membrane (see the Maintenance chapter).
- 3) Unscrew the union nut (Fig. 24, 1) and remove the air cap (2) and nozzle (3). Clean the air cap, nozzle seal and nozzle with a brush and solvent or water.
- 4) Clean the outside of the spray gun and container with a cloth soaked in solvent or water.

Assembly



Attention! Never operate the device if the nozzle seal is either damaged or missing. If the nozzle seal is either missing or damaged liquids can enter the device and increase the risk of an electric shock.

- 1) Push the nozzle seal (fig. 25, 4) over the needle (5); the groove (slot) should point towards you.
- 2) Put the nozzle (fig. 25, 3) onto the gun body and find the correct position by turning it.
- 3) Put the air cap onto the nozzle and tighten it using the union nut.
- 4) Place the container seal from below on the suction tube and slide it over the collar, while turning the container seal slightly.
- 5) Insert the suction tube with container seal in the gun body.

In order to mount the gun more easily apply lubricating grease (enclosed) liberally to the O-ring at the gun front part. (Fig. 27, 5)

18. Maintenance

Air filter



WARNING! Never operate the machine without the air filter; dirt could be sucked in and interfere with the function of the machine. Check the air filter after each use for contaminants. Disconnect plug before changing parts.

Replace the air filters depending on soiling. Unplug the power plug. Open the cover of

the air filter compartment (Fig. 26, A). Replace both air filters (Fig. 26, B). Close the cover of the air filter compartment.

Ventilating hose / Valve (Wall Extra I-Spray spray attachment)

- Pull the ventilating hose (Fig. 18, A) at the top from the gun body. Screw off the valve cover (B). Remove the diaphragm (C). **Carefully clean all parts or replace in the event of damage.**
- Place the diaphragm (Fig. 18, C) **with the pin facing upwards** on the bottom section of the valve. Also see the marking on the gun body.
- Place on the valve cover (Fig. 18, B) and screw it closed.
- Place the ventilating hose (Fig. 18, A) on the valve cover and on the nipple at the gun body.

Ventilating hose / Valve (Gravity spray attachment)

- Remove the hose, dismantle it and remove the membrane (Fig. 18, D).
- Carefully clean all parts or replace if required.
- During assembly, insert the membrane (fig. 18, D) with the pin pointing downwards.

19. Spare Parts

Spare Parts List Gravity spray attachment (Fig. 27)

Pos.	Designation	Order No.
	Gravity spray attachment complete with container (600ml and 150 ml)	2428086
1	Union nut	2410212
2	Air cap	2361747
3	Nozzle	2361238
4	Seal	0417 706
5	O-ring of spray attachment	2362 875
6	Ventilation hose with valve	2410217
7	Container with cover 600 ml	2410208
8	Container with cover 150 ml	2410210

Spare Parts List Wall Extra I-Spray spray attachment (Fig. 28)

Pos.	Designation	Order No.
	Wall Extra I-Spray spray attachment complete with 1800 ml container	2361 749
1	Air cap	2382 753
2	Union nut and nozzle	2382 751
3	O-ring of spray attachment	2362 875
4	Ventilating hose, valve cover, diaphragm	2382 754

Spare Parts List Wall Extra I-Spray spray attachment (Fig. 28)

5	Suction tube	2389 021
6	Container seal	2389 023
7	Container with cover 1800 ml (only for Wall Extra I-Spray spray attachment)	2304 025

Spare Parts List W 690 Flexio (Fig. 29)

Pos.	Designation	Order No.
1	Carrying belt	2322 299
2	Gun handle	2362 879
3	Air hose	2362 880
4	Cover of air filter compartment (right and left)	2316 052
5	Air filter (2 pcs.)	2318 585
6	Stirring rod	2304 419
7	Feed hopper (3 pcs.)	2304 028
	Lubricating grease	2315 539

20. Accessories

The **CLICK&PAINT SYSTEM** with additional spray attachments and accessories offers the right tool for each work.

Further information about the **WAGNER** range of products for renovating is available under www.wagner-group.com

21. Environmental protection



The device and all accessories and packaging have to be recycled in an environmentally friendly manner. Do not dispose of the appliance with household waste. Support environmental protection by taking the appliance to a local collection point or obtain information from a specialist retailer. Leftover paint and solvents may not be emptied into drains, the sewage system or disposed of as household rubbish. It has to be disposed of separately as special waste. Please pay special attention to the instructions on the product packaging.

22. Important Note regarding Product Liability!

According to an EU directive, the manufacturer is only liable without limitation for faults in the product if all parts come from the manufacturer or have been approved by the

manufacturer and have been mounted to the device and are operated properly. If third-party accessories or spare parts are used, the manufacturer is exonerated wholly or partly from his/her liability if use of the third-party accessories or spare parts have caused a defect in the product.

23. Correction of Malfunctions

Malfunction	Cause	Remedy
No coating material emerges from the nozzle	<ul style="list-style-type: none"> • Nozzle clogged • Material quantity too small • No pressure build-up in container • Container empty • Feed tube clogged • Ventilating bore (Fig.17, A) clogged 	<ul style="list-style-type: none"> • Clean • Increase the quantity of material • Tighten container • Refill • Clean • Clean
Coating material drips from the nozzle	<ul style="list-style-type: none"> • Coating material assembly at air cap, nozzle or needle • Nozzle loose • Nozzle seal worn • Nozzle worn 	<ul style="list-style-type: none"> • Clean • Union nut tighten • Change • Change
Atomisation too coarse	<ul style="list-style-type: none"> • Material volume too large • Nozzle contaminated • Air cap assembled incorrectly • Viscosity of coating material too high • Too little pressure build-up in container • Air filter heavily soiled • Amount of air too low 	<ul style="list-style-type: none"> • Reduce the material volume • Clean • Snap air cap properly into place (fig. 23, 1) • Dilute further • Tighten container • Change • Turn the air volume control to the left (+)
Spray jet pulsates	<ul style="list-style-type: none"> • Coating material in container running out • Nozzle seal worn • Air filter heavily soiled 	<ul style="list-style-type: none"> • Refill • Replace • Change
Coating material causes "paint tears"	<ul style="list-style-type: none"> • Too much coating material applied. 	<ul style="list-style-type: none"> • Reduce the material volume

Malfunction	Cause	Remedy
Too much fog of coating material (Overspray)	<ul style="list-style-type: none"> • Distance to the object too large • Too much coating material applied • Amount of air too high 	<ul style="list-style-type: none"> • Reduce distance • Reduce the material volume • Turn the air volume control to the left (-)
Paint in the ventilating hose	<ul style="list-style-type: none"> • Diaphragm soiled • Diaphragm defective 	<ul style="list-style-type: none"> • Clean the diaphragm • Replace the diaphragm
Poor covering capacity on the wall	<ul style="list-style-type: none"> • Spray material is too cold • Highly absorbent surface or paint with poor covering capacity • Distance too large 	<ul style="list-style-type: none"> • The material you are spraying should be at room temperature • Cross spray (Fig. 16) • Closer to the object

24. Technical Data

Technical Data	
Max. viscosity: Interior wall paint Varnish paints, glazes, etc.	4000 mPas 60 DIN-s
Max. flow rate: Interior wall paint Varnish paints, glazes, etc.	400 ml/min 150 ml/min
Power source	230 V~, 50 Hz
Power consumption	630 W
Double insulation	<input type="checkbox"/>
Sound pressure level*	79 dB (A); Uncertainty K = 4 dB
Sound pressure output*	92 dB (A); Uncertainty K = 4 dB
Oscillation level*	< 2.5 m/s ² ; Uncertainty K = 1.5 m/s ²
Air hose length	3.5 m
Weight	approx. 3.3 kg

* Measured in accordance with EN 50580

Information about the oscillation level

The specified oscillation level has been measured according to a standard test procedure and can be used to compare against electric tools.

The oscillation level is also for determining an initial assessment of the vibrational strain.

Attention! The vibration emission value can differ from the specified value when the

electric tool is actually in use, depending on how the electric tool is being used. It is necessary to specify safety measures to protect the operating personnel. These measures are based on an estimated shutdown during the actual conditions of use (all parts of the operating cycle are taken into consideration here, for example periods when the electric tool is switched off, and, when it is switched on but running without any load).

3+1 years guarantee

The guarantee runs for three years, counting from the date of sale (sales slip). The guarantee is extended by a further 12 months if the device is registered online within 4 weeks of the purchase at www.wagner-group.com/3plus1. Registration is only possible if the buyer is in agreement with the data being stored that is entered during registration. The guarantee covers and is restricted to free-of-charge rectification of faults which are demonstrably attributable to the use of faulty materials in manufacture, or assembly errors; or free-of-charge replacement of the defective parts. The guarantee does not cover incorrect use or commissioning or fitting or repair work which is not stated in our operating instructions. Wearing parts are also excluded from the guarantee. The guarantee excludes commercial use. We expressly reserve the right to fulfil the guarantee. The guarantee expires if the tool is opened up by persons other than WAGNER service personnel. Transport damage, maintenance work and loss and damage due to faulty maintenance work are not covered by the guarantee. Under any guarantee claim, there must be proof of purchase of the tool through submission of the original receipt. Wherever legally possible, we exclude all liability for injury, damage or consequential loss, especially if the tool has been used for a purpose other than that stated in the operating instructions, commissioned or repaired other than in accordance with our operating instructions or if repairs are performed by someone who is unqualified. We reserve the right to perform any repairs in excess of those stated in our operating instructions. In case of guarantee or repair, please refer to your point of sale.

EU Declaration of conformity

We declare under sole responsibility that this product conforms to the following relevant stipulations:

2006/42/EC, 2014/30/EU, 2011/65/EU, 2012/19/EU

Applied harmonised norms:

EN 62841-1, EN 50580, EN 55014-1, EN 55014-2, EN IEC 61000-3-2, EN 61000-3-3, EN 62233

D
J. WAGNER GMBH
Otto-Lilienthal-Str. 18
88677 Markdorf
T +49 0180 - 55 92 46 37
hotline@wagner-group.com

SK
E-CORECO SK S.R.O.
Kráľovská ulica 8/7133
927 01 Šala
T +42 1948882850
F +42 1313700077

CZ
E-CORECO S.R.O.
Na Roudné 102
301 00 Plzeň
T +42 734 792 823
F +42 227 077 364

F
J. WAGNER FRANCE SARL
Parc Work Center
8 Route des Bois, Bâtiment C
F-38500 Voiron - France
T +33 (0)4 58 09 04 12

GB
**UK IMPORTER
WAGNER SPRAYTECH (UK) LTD**
Innovation Centre
Silverstone Park, Silverstone
Northants NN12 8GX
T + 44 (0) 1327 368410

DK
DVA A/S
Marielundvej 48 C
2730 Herlev
T +45 70 234 239

DK
ORKLA HOUSE CARE DANMARK A/S
Stationsvej 13
3550 Slangerup
Danmark
T +45 47 33 74 00
F +45 47 33 74 01

NOR
ORKLA HOUSE CARE NORGE AS
Nedre Skøyen vei 26,
PO Box 423, Skøyen
0213 Oslo
T +47 22 54 40 19
kunderservice.ohc@orkla.no

PL
WAGNER-SERVICE SP. Z O.O.
ul. E. Imieli 30
41-605 Świętochłowice
T +48 32 346 37 00
wsparcie@wagner-polska.com.pl

S
ORKLA HOUSE CARE AB
Box 133
564 23 Bankeryd
Sweden
T +46(0)36 37 63 00
info@anza.se

ROM
ROMIB S.R.L.
str. Poligonului nr. 5 - 7
100070 Ploiesti ,judet Prahova
T +40-344801240
office@romib.com.ro

CH
J. WAGNER AG
Industriestraße 22
9450 Altstätten
T +41 71 - 7 57 22 11
F +41 71 - 7 57 23 23

E
P
**MAKIMPORT
HERRAMIENTAS, S.L.**
C/ Méjico nº 6
Pol. El Descubrimiento
28806 Alcalá de Henares (Madrid)
T +34 902 199 021 /
+34 91 879 72 00
F +34 91 883 19 59

AUS
**WAGNER SPRAYTECH
AUSTRALIA PTY. LTD.,**
8 – 10 Dansu Court
Hallam, Victoria, 3803
T +61 3 9587 2000
F +61 3 9580 9120

I
WAGNER SPA
Via S. Vecchia 109,
23868 Valmadrera (LC)
Mobile +39 0341 210100
wagner_it_va@wagner-group.com