



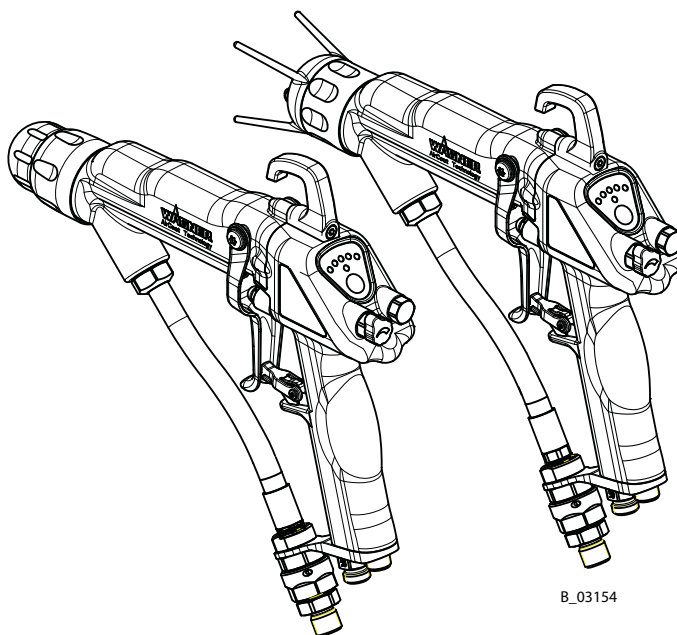
Translation of the original
Operating manual

GM 5000EAC

**Electrostatic AirCoat
Spray gun**

for manual operation with
flat or round jet nozzles

Edition 03/2012



CE 0102 Ex II 2 G EEx 0.24 mJ



(in submission)

B_03154

Contents

1	ABOUT THESE INSTRUCTIONS	6
1.1	Languages	6
1.2	Warnings, notes and symbols in these instructions	6
2	GENERAL SAFETY INSTRUCTIONS	7
2.1	Safety instructions for the operator	7
2.1.1	Electrical equipment	7
2.1.2	Personnel qualifications	7
2.1.3	A safe work environment	7
2.2	Safety instructions for staff	7
2.2.1	Safe handling of WAGNER spray units	8
2.2.2	Earth the unit	8
2.2.3	Material hoses	8
2.2.4	Cleaning	9
2.2.5	Handling hazardous liquids, varnishes and paints	9
2.2.6	Touching hot surfaces	10
2.3	Correct use	10
2.4	Safety-relevant information about discharges	11
2.5	Use in an explosion hazard area	11
2.5.1	Correct use	11
2.5.2	Explosion protection identification CE	11
2.5.2.1	Identification „X“	11
2.5.3	Explosion protection identification FM	12
2.6	German regulations and guidelines	12
3	GUARANTEE AND CONFORMITY DECLARATIONS	13
3.1	Important notes on product liability	13
3.2	Guarantee claim	13
3.3	CE-Conformity	14
4	DESCRIPTION	15
4.1	Fields of application, using in accordance with the instructions	15
4.1.1	Processable materials	15
4.2	Scope of delivery	16
4.3	Technical data	17
4.4	Functional description	18
4.4.1	Design of spray gun (standard variant)	18
4.4.2	Functions of the spray gun	19
4.5	Spraying process	20
4.5.1	AirCoat round jet spray process	20
4.5.2	AirCoat atomizing flat jet spray process	20
4.5.3	Electrical resistance	21
5	START-UP AND OPERATION	22
5.1	Installation and connection	22
5.1.1	Typical electrostatic spraying system	22
5.1.2	Ventilation of the spray booth	23
5.1.3	Air supplies	23
5.1.4	Paint supplies	24
5.1.5	Earthing	25

Contents

5.2	Preparation of paints	27
5.2.1	Viscosity conversion table	27
5.3	Start-up	28
5.3.1	General rules for making adjustments to the spray gun	28
5.3.2	Preparation for starting up	28
5.4	Working	30
5.4.1	Filling with working material	30
5.4.2	Start-up for spraying AirCoat	31
5.4.3	Cleaning of clogged round jet nozzles	32
5.4.4	Exchange of round jet nozzle insert	32
5.4.5	Changing from AirCoat round jet to AirCoat flat jet	33
5.4.6	Replacing AirCoat flat jet nozzles	34
5.4.7	Cleaning of the nozzles	34
5.4.8	Eliminate nozzle clogging	34
6	MAINTENANCE	36
6.1	Periodically checks	36
6.2	Cleaning and decommissioning	36
6.3	Dismantling of the spray gun	38
6.4	Cleaning the parts after disassembly	41
6.5	Assembling the spray gun	42
6.6	Function test after assembly of the gun	46
6.6.1	Checking the high-voltage	46
6.6.2	Air tests	47
6.6.3	Material pressure test	47
6.6.4	Check spray pattern	48
7	TROUBLE SHOOTING AND SOLUTION	49
8	PRODUCT DISPOSAL	50
9	ACCESSORIES	51
9.1	ACR 5000 round jet nozzle cap	51
9.1.1	AirCoat round jet nozzle inserts	51
9.2	ACF 5000 air caps (flat jet)	51
9.2.2	ACF 5000 AirCoat flat jet nozzles	52
9.3	Filters	54
9.4	Reduction fittings for high-pressure hoses	54
9.5	Hoses and electrical cables	55
9.5.1	Standard hose sets and components	55
9.5.2	Hose sets for low impedance materials	56
9.5.3	Gun cable and gun cable extensions	57
9.6	Miscellaneous	57

Contents

10	SPARE PARTS	59
10.1	How to order spare parts?	59
10.2	GM 5000EAC spare parts list	60
10.2.1	GM 5000EAC spare parts list- End piece	62
10.2.2	GM 5000EAC spare parts list - Handle	64
10.3	Accessories spare parts lists	66
10.3.1	Flat jet nozzles spare parts list	66
10.3.2	ACR 5000 round jet nozzle cap spare parts list	67

1 ABOUT THESE INSTRUCTIONS

This operating manual contains information about the operation, repair and maintenance of the unit.

→ Always follow these instructions when operating the unit.

This equipment can be dangerous if it is not operated in accordance with this manual.

Electrostatic spray guns may be operated only by trained personnel.

Compliance with these instructions constitutes an integral component of the guarantee agreement.

1.1 LANGUAGES

This operating manual is available in the following languages:



Language:	Part No.	Language:	Part No.
German	2310481	English	2319150
French	2320152	Dutch	-
Italian	2320153	Spanish	2320154

1.2 WARNINGS, NOTES AND SYMBOLS IN THESE INSTRUCTIONS



Warning instructions in this manual point out particular dangers to users and equipment and state measures for avoiding the hazard.

These warning instructions fall into the following categories:



Danger - imminent danger. Non-observance will result in death, serious injury and serious material damage.

 SIHI_0100_GB	 DANGER
	<p>This line warns of the hazard! Possible consequences of failing to observe the warning instructions. The signal word points out the hazard level.</p> <p>→ The measures for preventing the hazard and its consequences.</p>

Warning - possible danger. Non-observance can result in death, serious injury and serious material damage.

 SIHI_0103_GB	 WARNING
	<p>This line warns of the hazard! Possible consequences of failing to observe the warning instructions. The signal word points out the hazard level.</p> <p>→ The measures for preventing the hazard and its consequences.</p>

Caution - a possibly hazardous situation. Non-observance can result in minor injury.

 SIHI_0101_GB	 CAUTION
	<p>This line warns of the hazard! Possible consequences of failing to observe the warning instructions. The signal word points out the hazard level.</p> <p>→ The measures for preventing the hazard and its consequences.</p>

Caution - a possibly hazardous situation. Non-observance can cause material damage.

SIHI_0102_GB	CAUTION
<p>This line warns of the hazard! Possible consequences of failing to observe the warning instructions. The signal word points out the hazard level.</p> <p>→ The measures for preventing the hazard and its consequences.</p>	

Note - provide information on particular characteristics and how to proceed.

2 GENERAL SAFETY INSTRUCTIONS

2.1 SAFETY INSTRUCTIONS FOR THE OPERATOR

- Keep these operating instructions to hand near the unit at all times.
- Always follow local regulations concerning occupational safety and accident prevention.



2.1.1 ELECTRICAL EQUIPMENT

Electrical plant and unit

- To be provided in accordance with the local safety requirements with regard to the operating mode and ambient influences.
- May only be maintained by skilled electricians or under their supervision.
- Must be operated in accordance with the safety regulations and electrotechnical regulations.
- Must be repaired immediately in the event of problems.
- Must be put out of operation if they pose a hazard.
- Must be de-energized before work is commenced on active parts. Inform staff about planned work, observe electrical safety regulations.



2.1.2 PERSONNEL QUALIFICATIONS

- Ensure that the unit is operated and repaired only by trained persons.

2.1.3 A SAFE WORK ENVIRONMENT

- Make sure that the floor in the area where you are working is anti-static in accordance with EN 61340-4-1 (the resistance value may not exceed 100 MOhm).
- Ensure that all persons within the working area wear antistatic shoes. Footwear must comply with EN 20344. The measured insulation resistance may not exceed 100 MOhm.
- Ensure that during spraying, persons wear anti-static gloves so that they are earthed via the handle of the spray gun.
- If protective clothing is worn, including gloves, it has to comply with EN 1149-5. The measured insulation resistance may not exceed 100 MOhm.
- Paint mist extraction systems must be fitted on site according to the local regulations.
- Ensure that the following components of a safe working environment are available:
 - Material/air hoses adapted to the working pressure.
 - Personal safety equipment (breathing and skin protection).
- Ensure that there are no ignition sources such as naked flame, glowing wires or hot surfaces in the vicinity. Do not smoke.



2.2 SAFETY INSTRUCTIONS FOR STAFF

- Always follow the information in these instructions, particularly the general safety instructions and the warning instructions.
- Always follow local regulations concerning occupational safety and accident prevention.



2.2.1 SAFE HANDLING OF WAGNER SPRAY UNITS

The spray jet is under pressure and can cause dangerous injuries.

Avoid injection of paint or cleaning agents:

- Never point the spray gun at people.
- Never reach into the spray jet.
- Before all work on the unit, in the event of work interruptions and functional faults:
 - Switch off the energy/compressed air supply.
 - Secure the spray gun against actuation.
 - Relieve the pressure from the spray gun and unit.
 - By functional faults: Identify and correct the problem, proceed as described in chapter „Trouble shooting“.

In the event of skin injuries caused by paint or cleaning agents:

- Note down the paint or cleaning agent that you have been using.
- Consult a doctor immediately.

Avoid danger of injury through recoil forces:

- Ensure that you have a firm footing when operating the spray gun.
- Only hold the spray gun briefly in any one position.



2.2.2 EARTH THE UNIT

Depending on the high-voltage of the spray electrode and the flow rate at spray pressures can produce an electrostatic charge in the equipment. These can cause sparks and flames upon discharge.

- Ensure that the unit is always earthed.
- Earth the work pieces to be coated.
- Ensure that all persons inside the working area are earthed, e.g. that they are wearing derivable shoes.
- When spraying, wear derivable gloves to earth yourself via the spray gun handle.



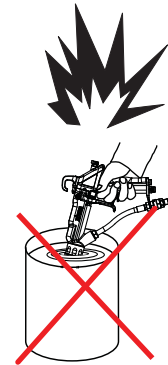
2.2.3 MATERIAL HOSES

- Ensure that the hose material is chemically resistant to the sprayed materials.
- Ensure that the material hose is suitable for the pressure generated in the unit.
- Ensure that the following information is visible on the high pressure hose:
 - Manufacturer
 - Permissible operating overpressure
 - Date of manufacture.
- The electrical resistance of the complete high pressure hose must be less than 1 MOhm.



2.2.4 CLEANING

- De-energize the unit electrically.
- Disconnect the pneumatic supply line.
- Relieve the pressure from the unit.
- Ensure that the flash point of the cleaning agent is at least 15K above the ambient temperature. Otherwise, the cleaning works shall be carried out at forced ventilated cleaning place.
- To clean, use only solvent-soaked cloths and brushes. The cleaning process mustn't damage parts of the spray gun, it mustn't be an abrasive procedure.
- Parts of spray gun mustn't submerged or soaked into solvent.
- Non-ignitable cleaning liquids shall be preferred.
- A suitable solvent for cleaning the spray gun depends on the part of the gun and on the material that needs to be removed. It's recommended to use only non-polar solvents to prevent a conductive residue on critical components. If it's necessary to use polar solvents to clean the spray gun components, all residue must be removed by using a nonconductive non-polar solvent.
- All electrical components cannot be cleaned or soaked in any solvents. An explosive gas/air mixture forms in closed containers.
- When cleaning units with solvents, never spray into a closed container.
- For cleaning liquids only electrically leading containers may be used.
- The containers must be earthed.



2.2.5 HANDLING HAZARDOUS LIQUIDS, VARNISHES AND PAINTS

- When preparing or working with paint and when cleaning the unit, follow the working instructions of the manufacturer of the paints, solvents and cleaning agents being used.
- Take the specified protective measures, in particular wear safety goggles, protective clothing and gloves, as well as hand protection cream if necessary.
- Use a mask or breathing apparatus if necessary.
- For sufficient health and environmental safety: Operate the unit in a spray booth or on a spraying wall with the ventilation (extraction) switched on.
- Wear suitable protective clothing when working with hot materials.



2.2.6 TOUCHING HOT SURFACES

- Touch hot surfaces only if you are wearing protective gloves.
- When operating the unit with a coating material with a temperature of > 43 °C; 109.4 °F:
 - Identify the unit with a warning label that says „Warning - hot surface“.

Order No.

9998910 Information label

9998911 Safety label



2.3 CORRECT USE

WAGNER accepts no liability for any damage arising from incorrect use.

- Use the unit only to work with the materials recommended by WAGNER.
- Operate the unit only as an entire unit.
- Do not deactivate safety equipment.
- Use only WAGNER original spare parts and accessories.



2.4 SAFETY-RELEVANT INFORMATION ABOUT DISCHARGES

The plastic parts of the spray gun are charged electrostatically by the high-voltage field of the spray pistol. Harmless discharges (brush discharges) are possible after contact with plastic parts. They are completely harmless for people.

The corona discharge at the electrode end is visible during darkness at a distance of between 4 and 10 mm; 0.15 and 0.4 inches, between the spray gun and spray object.

2.5 USE IN AN EXPLOSION HAZARD AREA

2.5.1 CORRECT USE

The electrostatic hand spray gun GM 5000EAC is suitable for spraying liquid materials, particularly coating materials, using the AirCoat method. Coating materials containing solvents of Explosion Class II A may be used. The spray gun may only be used in combination with the control unit VM 500 and VM 5000.

2.5.2 EXPLOSION PROTECTION IDENTIFICATION CE

As defined in the Directive 94/9/EC (ATEX), the unit is suitable for use in areas where there is an explosion hazard.

CE₀₁₀₂ II 2 G EEx 0.24mJ
SIRA 11 ATEX 5374X

CE	Communautés Européennes
0102	Notified body: PTB
Ex	Symbol for explosion protection
II	Unit class II
2	Category 2 (zone 1)

G	Ex-atmosphere gas
E	European Standard
Ex	Explosion protected
0.24mJ	Max. firing power
SIRA 11 ATEX 5374X	Number of the type examination certificate



2.5.2.1 IDENTIFICATION „X“

Maximum surface temperature

- Maximum surface temperature: 85 °C; 185 °F
- Maxi. Permissible material temperature: 50 °C; 122 °F
- Permissible ambient temperature: +0 to +40 °C; +32 to +104 °F

Safety instructions

Safe handling of WAGNER spray units

Mechanical sparks can form if the unit comes into contact with metal.

In an explosive atmosphere:

- Do not knock or push the unit against steel or rusty iron.
- Do not drop the gun.
- Use only tools that are made of a permitted material.

Ignition temperature of the coating material

- Ensure that the ignition temperature of the coating material is above the maximum surface temperature.

Surface spraying, electrostatic

- Do not spray unit parts with electrostatic (e.g. electrostatic spray gun).

**Medium supporting atomizing**

- To atomize the material, use only weakly oxidizing gases, e.g. air.

Cleaning

If there are deposits on the surfaces, the unit may form electrostatic charges. Flames or sparks can form if there is a discharge.

- Remove deposits from the surfaces to maintain conductivity.
- Use only a damp cloth to clean the unit.

**2.5.3 EXPLOSION PROTECTION IDENTIFICATION FM**

For Electrostatic Finishing Applications
using Class I, Group D, Spray Material

In accordance with 2316160

(the device is in submission)

This device has been manufactured and tested according to the FM (Factory Mutual) standard „Class Number 7260“ (Approval Standard for Electrostatic Finishing Equipment) by FM. All tested combinations of devices including accessories are given in the FM Control Document with part number 2316160.

2.6 GERMAN REGULATIONS AND GUIDELINES

- a) BGV A3 Electrical units and equipment
- b) BGR 500 Part 2, Chap. 2.36 Working with liquid ejection devices
- c) BGR 500 Part 2, Chap. 2.29 Using coating materials
- d) BGR 104 Explosion protection rules
- e) TRBS 2153 Avoiding ignition risks
- f) BGR 180 Setting up for cleaning with solvents for cleaning workpieces with solvents
- g) ZH 1/406 Guidelines for liquid ejection devices
- h) BGI 740 Painting rooms and equipment
- j) BGI 764 Electrostatic coating
- j) Betr.Sich.V. Plant Safety Ordinance

Note: All titles can be ordered from Heymanns Publishing House in Cologne, or they are to be found in the Internet.

3 GUARANTEE AND CONFORMITY DECLARATIONS

3.1 IMPORTANT NOTES ON PRODUCT LIABILITY

As a result of an EC regulation, effective as from January 1, 1990, the manufacturer shall only be liable for his product if all parts come from him or are approved by him, and if the devices are properly fitted, operated and maintained.

If other makes of accessory and spare parts are used, the manufacturer's liability could be fully or partially null and void.

The usage of original WAGNER accessories and spare parts guarantees that all safety regulations are observed.

3.2 GUARANTEE CLAIM

Full guarantee is provided for this device:

We will at our discretion repair or replace free of charge all parts which within 24 months in single-shift, 12 months in 2-shift or 6 months in 3-shift operation from date of receipt by the Purchaser are found to be wholly or substantially unusable due to causes prior to the sale, in particular faulty design, defective materials or poor workmanship.

The type of guarantee provided is such that the device or individual components of the device are either replaced or repaired as we think fit. The resulting costs, in particular shipping charges, road tolls, labour and material costs will be borne by us except where these costs are increased due to the subsequent shipment of the unit to a location other than the address of the purchaser.

We do not provide guarantee for damage that has been caused or contributed to for the following reasons:

Unsuitable or improper use, faulty installation or commissioning by the purchaser or a third party, normal wear, negligent handling, defective maintenance, unsuitable coating products, substitute materials and the action of chemical, electro chemical or electrical agents, except when the damage is attributable to us.

Abrasive coating products such as red lead, emulsions, glazes, liquid abrasives, zinc dust paints and similar reduce the service life of valves, packings, spray guns, tips, cylinders, pistons etc. Signs of wear and tear due to such causes are not covered by this guarantee.

Components that have not been manufactured by WAGNER are subject to the original guarantee of the manufacturer.

Replacement of a component does not extend the period of guarantee of the device.

The unit should be inspected immediately upon receipt. To avoid losing the guarantee, we or the supplier company are to be informed in writing about obvious faults within 14 days upon receipt of the device.

We reserve the right to have the guarantee compliance met by a contracting company.

The services provided by this guarantee depend on evidence being provided in the form of an invoice or delivery note. If an examination discovers that no guarantee claim exists, the costs of repairs are charged to the purchaser.

It is clearly stipulated that this guarantee claim does not represent any constraint to statutory regulations or regulations agreed contractually in our general terms and conditions.

J. Wagner AG

3.3 CE-CONFORMITY



EC declaration of conformity as defined by Atex-directive 94/9/EC
Herewith we declare that the supplied version of

Electrostatic hand spraying system			
VM 500	VM 5000	GM 5000EA	GM5000EAC

Complies with the following guidelines:

94/9/EG	2004/108/EG	2002/96/EG
2006/42/EG	2002/95/EG	

Applied standards, in particular:

DIN EN 50050:2007	DIN EN 61000-6-2:2006	DIN EN ISO 12100:2011
DIN EN 1953:2010	DIN EN 61000-6-4:2011	DIN EN 60079-0:2010
DIN EN 60079-15:2011	DIN EN 60204-1:2007	

Applied national technical standards and specifications, in particular:

BGI 764

EC type examination certificate:

SIRA 11 ATEX 5374X issued by SIRA Certification, CH4 9JN, Chester, England, notified body no. 0518

Identification:

Control unit: II (2) G
SIRA 11 ATEX 5374X

II 3 G Ex nR IIC T4 Gc

Spray gun: II 2 G EEx 0.24mJ
SIRA 11 ATEX 5374X

CE Certificate of Conformity

The certificate is enclosed with this product. The certificate of conformity can be reordered from your WAGNER representative, quoting the product and serial number.

Part number:

2310487

4 DESCRIPTION

4.1 FIELDS OF APPLICATION, USING IN ACCORDANCE WITH THE INSTRUCTIONS

The electrostatic spray gun can only be used with the VM 5000 or VM 500 control units.

4.1.1 PROCESSABLE MATERIALS

- With the GM 5000EAC gun, paints can be applied which contain solvent of explosion class II A.
- The spray gun basic version is suitable for processing of sprayed substances with an electrical resistance of $> 150 \text{ k}\Omega$ (according to the WAGNER scale). Equipped with a special material hose for low impedance sprayed substances (available as accessory) you can also sprayed substances with an electrical conductivity $> 50 \text{ k}\Omega$ (according to the WAGNER scale) process successfully.
- The application effectiveness is always dependant on the composition of the paint being used, e.g. pigments or resin.

Conversion of the resistance of paint

There are paint resistance measuring devices on the market that do not measure directly the specific resistance of paint. Multiplying the result of measurement with the device-specific cell constant (K), we obtain the resistivity value of the material.

Example:

The Wagner paint resistance measuring device is the cell constant $K = 123$.

Measured value according to the WAGNER scale $R = 500 \text{ k}\Omega$

Specific resistance (R_s) $R_s = R \times K = 500 \text{ k}\Omega \times 123 = 61.5 \text{ M}\Omega \cdot \text{cm}$

Note

With sprayed substances and those with too low electrical resistance the electrostatic effect will not have any effect, i.e., there will be no „wrap around“ noticeable at the spray object. The relationship between the values of the high-voltage (kV) and the current (μA), shown on the VM 5000 control unit and/or on the spray gun, denotes the charging capacity of a spray material.

High kV value, low μA value = ok

Low kV-value, high μA -value = Excessive conductivity of the paint -> no wrap-around

In the event of application problems, contact your WAGNER branch and the paint manufacturer.

4.2 SCOPE OF DELIVERY

Quantity	Part No.	Description
1	2309871	GM 500EAC spray gun Without control unit, material and air hose, electrical cable, air cap and nozzle.

Each gun includes as standard equipment:

	Part No.	Description
1	2309368	Assembly tool valve needle
1	2325263	Assembly tool clamping screw
1	2319653	Glove against ink mist precipitation
1	2310487	CE-Conformity
-	2310481	Operating manual German
1	see 1.1	Operating manual in the local language

The spray gun basic version can be set according to requirement and the desired accessories with the help of the spray gun configuration.

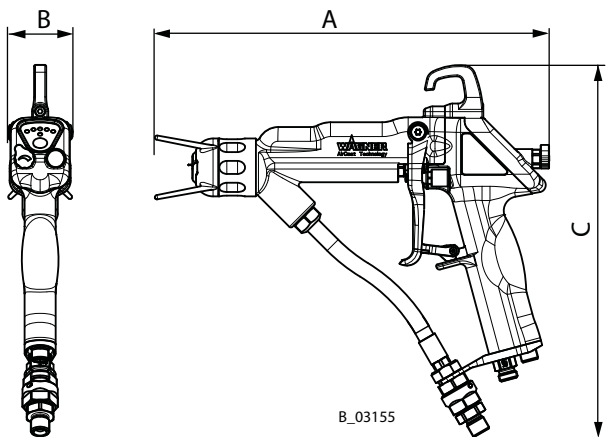
The delivery note shows the exact scope of delivery.

4.3 TECHNICAL DATA

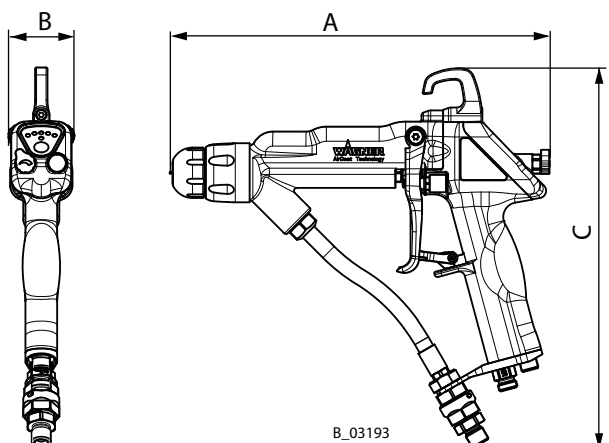
Max. air pressure	0.8 MPa; 8 bar; 116 psi
Max. material pressure	25 MPa; 250 bar; 3626 psi
Material connection	NPSM 1/4"-18
Air connection	G 1/4" A
Input voltage	max. 20 Vpp
Input current	max. 1.0 A AC
Output voltage	max. 80 kV DC
Output current	max. 100 µA DC
Polarity	negative
Weight (without hose set)	710 g (incl. union nut, nozzle, air cap and edge filter)
Working temperature range	0 °C to 40 °C; 32 °F to 104 °F
Max. material temperature	50 °C; 122 °F
Sound level at 0.3 MPa; 3 bar; 43.5 psi air pressure and 0.3 MPa; 3 bar; 43.5 psi material pressure	73 dB(A) *

* A rated sound pressure level measured at 1 m distance according to DIN EN 14462: 2005.

Measurements



GM 5000EAC F with flat jet nozzle		
	mm	inches
A	280	11.02
B	46	1.81
C	264	10.39



GM 5000EAC R with round jet nozzle		
	mm	inches
A	264	10.39
B	46	1.81
C	264	10.39

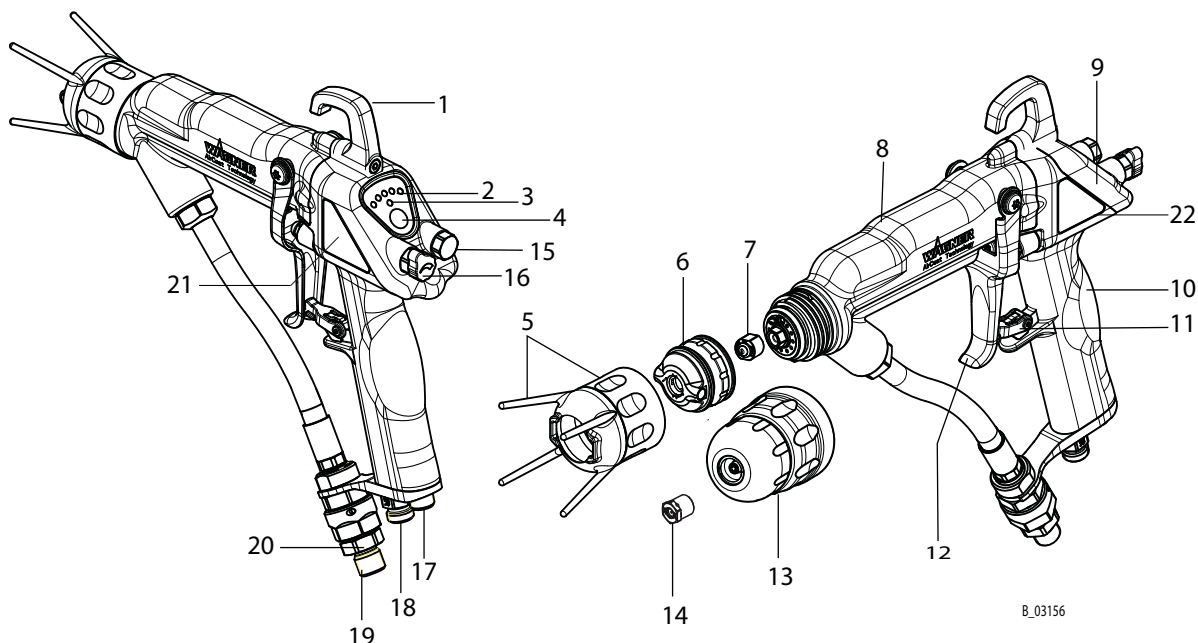


4.4 FUNCTIONAL DESCRIPTION

4.4.1 DESIGN OF SPRAY GUN (STANDARD VARIANT)

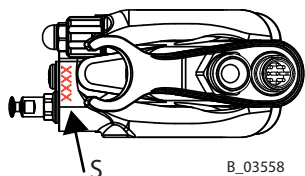
Note:

The nozzle parts (item 6; 7; 13 and 14) do not belong to the basic equipment of the spray gun. The different versions can be found in Chapter 9 „Accessories“.



Item	Description
1	Hook
2	Display (spray current and recipe)
3	Display standby
4	Operating button (standby and recipe change)
5	Protection against contact with union nut
6	Air cap for flat jet nozzle (see Accessories chapter 9)
7	ACF 5000 flat jet nozzle (see Accessories chapter 9)
8	End piece
9	Cover
10	Handle

Item	Description
11	Trigger lock
12	Trigger
13	Round jet nozzle cap (see Accessories chapter 9)
14	Round jet nozzle insert (see Accessories chapter 9)
15	Lock plug
16	Air adjustment
17	Electrical cable connection
18	Atomizing air connection
19	Material connection
20	Filter housing with filter
21	Type plate left
22	Type plate right



Note:

The gun type (T) on the type plate (21) and the serial number (S) on the underside of the handle.

4.4.2 FUNCTIONS OF THE SPRAY GUN

When the spray gun is connected to the control unit and the control unit is switched on, the pre-defined recipe (R1, R2 or R3) is shown on the gun display (2) as follows.

Recipe 1 -> ●○○○○○ R1

Recipe 2 -> ●●●○○○ R2

Recipe 3 -> ●●●●●● R3

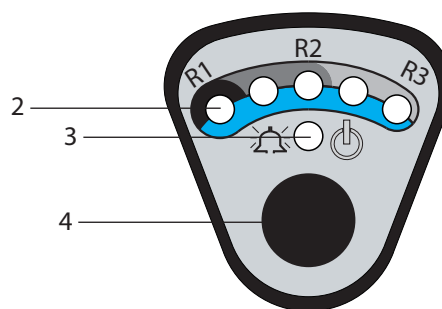
Recipe change R1 -> R2 -> R3 -> R1

Press the operating button (4) and hold the button pressed of at least 2 seconds, then it is advanced by 1 recipe.

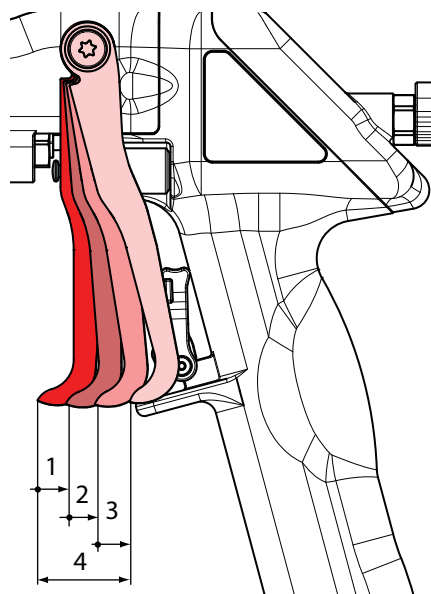
Display (2) -> ●●○○○○ = recipe values changed temporarily:
The stored recipe values of the previously selected recipe number are re-loaded from memory by pressing the operating button (4) for 2 seconds.

The trigger can be used to activate, one after the other, the various functions of the spray gun.

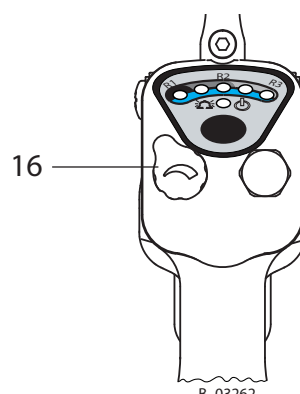
Distance	Description
1	AirCoat air opens.
2	AirCoat air opened and electrostatic (HV) activated. -> Display (2) for „spray current“ on the spray gun ●○○○○○ to ●●●●●● activated.
3	AirCoat air opened and electrostatic (HV) activated and material valve opened.
4	Max way of trigger.



B_03182



- An increase in the tension needed to pull the trigger back will be felt at the position where the material valve opens.
- For spraying without high-voltage, the high-voltage can be switched off using the operating button (4). Press the operating button (4) briefly: High-voltage is switched off. The standby display (3) illuminates.
- In the event of a malfunction the spray gun switches to „standby“ operating mode and the display (3) illuminates.
- The width of the spray jet can be adjusted using the air adjustment (16) (only for flat-jet method).

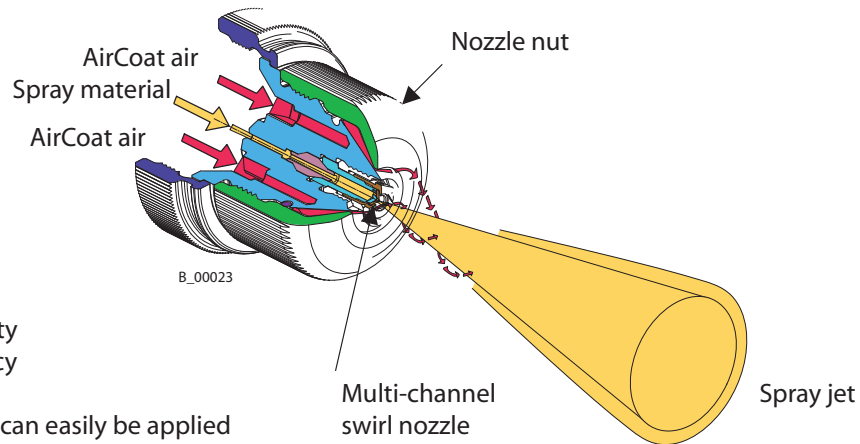


B_03262

4.5 SPRAYING PROCESS

4.5.1 AIRCOAT ROUND JET SPRAY PROCESS

In the AirCoat process, high pressure of 3-15 MPa; 30-150 bar; 435-2176 psi is used to atomize the material. The air at 0-0.25 MPa; 0-2.5 bar; 0-36 psi produces a soft jet. The size of the spray jet can be adjusted by turning the nozzle nut.

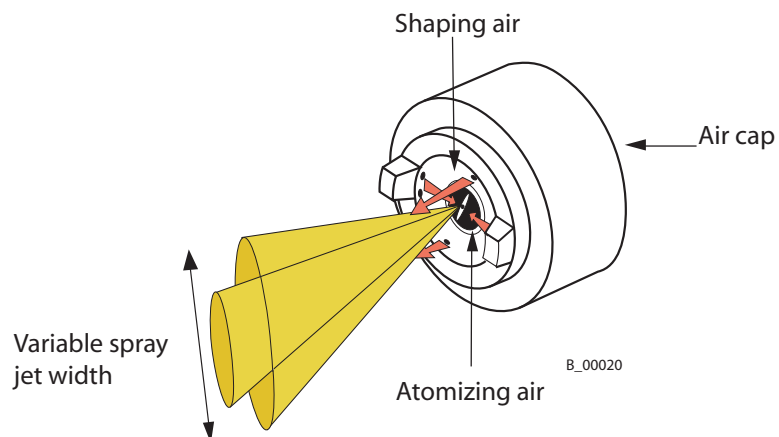


Advantages

- High painting capacity
- Low fogging tendency
- Good finish
- High viscosity paints can easily be applied
- High endurance of the nozzles
- Change in width the jet

4.5.2. AIRCOAT ATOMIZING FLAT JET SPRAY PROCESS

In the AirCoat process, high pressure of 3-15 MPa; 30-150 bar; 435-2176 psi is used to atomize the material. The AirCoat air at 0-0.25 MPa; 0-2.5 bar; 0-36 psi produces a soft jet, which largely eliminates the problem of overlapping boundaries. There's a possibility to reduce the jet by form air.

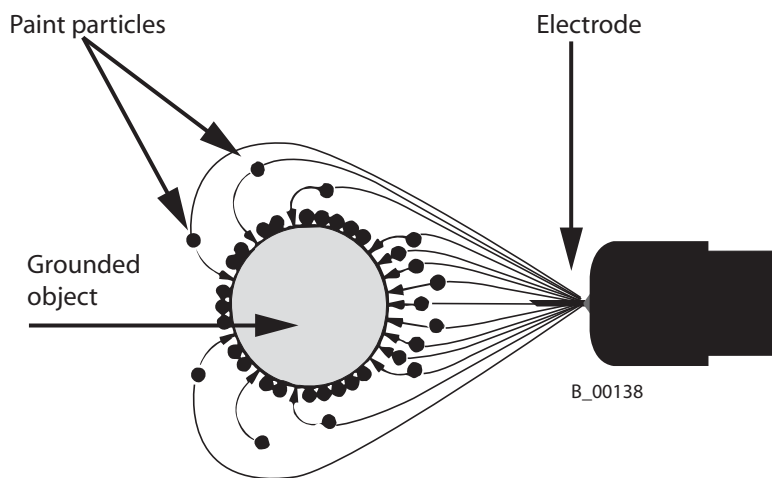


Advantages

- High painting capacity
- Low fogging tendency
- Good finish
- High viscosity paints can easily be applied
- High endurance of the AC-nozzles
- Change in width the jet

4.5.3 ELECTRICAL RESISTANCE

The spray gun produces an electrostatic field by means of the high-voltage electrode. As a result, the particles of paint, which have been atomized by the spray gun, are carried to the earthed object by kinetic and electrostatic energy where they adhere, finely distributed, to the object being sprayed.



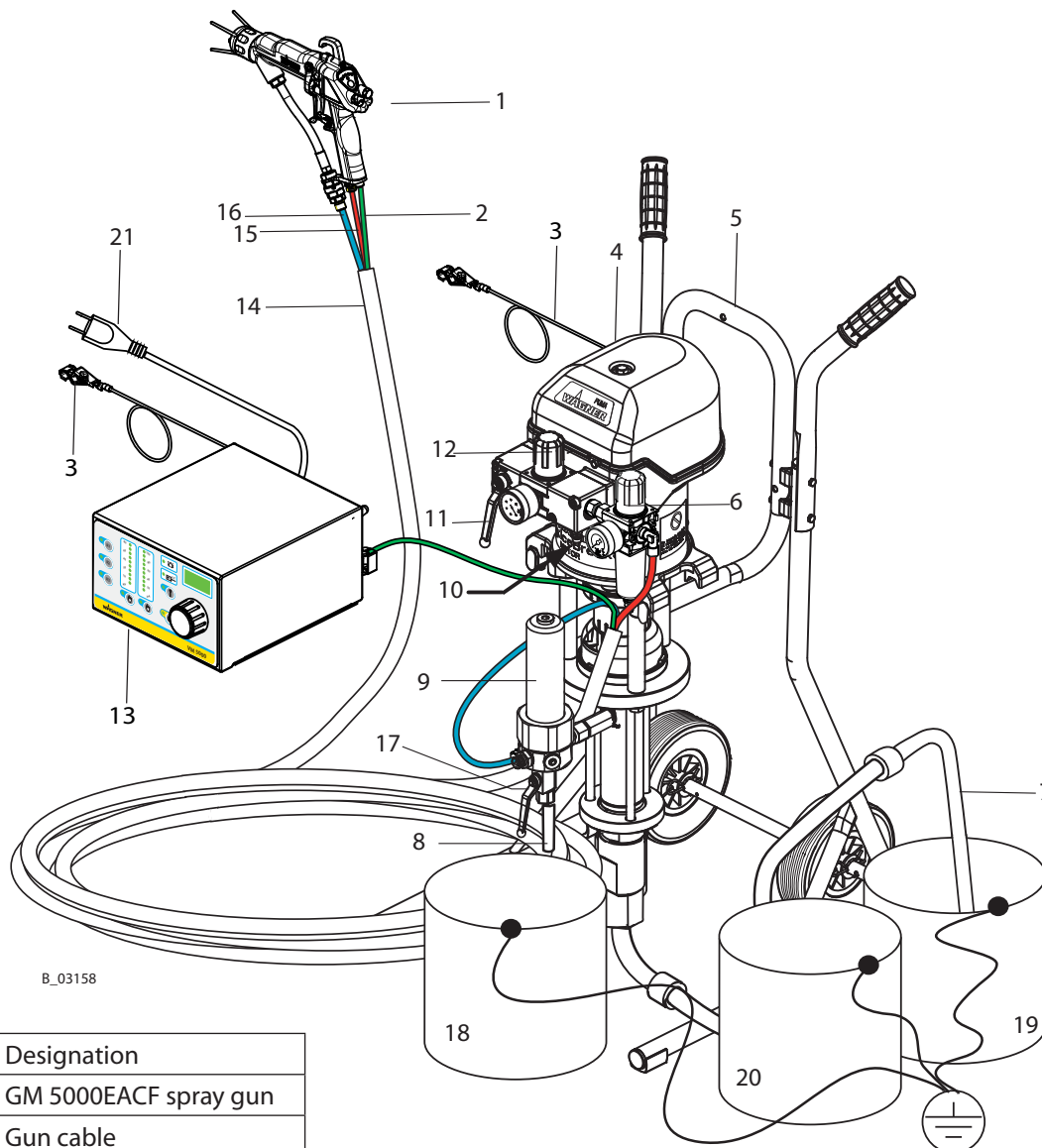
Advantages

- Very high application effectiveness
- Little over spray
- Coating of entire circumferences due to an electrostatic field
- Less working time

5 START-UP AND OPERATION

5.1 INSTALLATION AND CONNECTION

5.1.1 TYPICAL ELECTROSTATIC SPRAYING SYSTEM





B_03158

Item	Designation
1	GM 5000EACF spray gun
2	Gun cable
3	Grounding cable
4	Pneumatic pumps
5	Carriage
6	Pressure regulator + air filter
7	Material suction system
8	Return hose
9	High pressure filter

Item	Designation
10	Compressed air connection
11	Stop valve
12	Air pressure regulator
13	VM 5000 control unit
14	Protective hose
15	Air hose



Item	Designation
16	Material hose
17	Return valve
18	Container for the return flow
19	Colour container
20	Container, cleaning agent
21	Mains cable

The GM 5000EAC spray gun must be used a part of an electrostatic spraying system (Spraypack). The spraying system shown in the figure B_03158 is only one example of an electrostatic spraying system. Contact your Wagner distributor for assistance in designing a system to meet your needs. The operating instructions and the safety regulations for the additional system components used must be read before starting-up.

	 WARNING
	<p>Incorrect installation/operation! Risk of injury and damage to equipment</p> <p>→ When putting into operation and for all work, read and follow the operating instructions and safety regulations for the additionally required system components.</p>

SIHI_0050_GB

5.1.2 VENTILATION OF THE SPRAY BOOTH

	 WARNING
	<p>Toxic and/or flammable vapor mixtures! Risk of poisoning and burns</p> <p>→ Operate the unit in a spraying booth approved for the working materials. -or- → Operate the unit on an appropriate spraying wall with the ventilation (extraction) switched on. → Observe national and local regulations for the outgoing air speed.</p>

SIHI_0028_GB

5.1.3 AIR SUPPLIES

The use of an air filter with the air pressure regulator (6) ensures that only dry, clean atomizing air gets into the spray gun. Dirt and moisture in the atomizing air reduce the spraying quality and the appearance of the finished piece.

5.1.4 PAINT SUPPLIES

CAUTION

Impurities in the spraying system!

Spray gun blockage, materials harden in the spraying system

→ Flush the spray gun and paint supply with a suitable cleaning agent.

SIHI_0001_GB



DANGER

Bursting hose, bursting threaded joints!

Danger to life from injection of material



- Ensure that the hose material is chemically resistant.
- Ensure that the spray gun, threaded joints and material hose between the unit and the spray gun is suitable for the pressure generated in the unit.
- Ensure that the following information can be seen on the high pressure hose:
 - Manufacturer
 - Permissible operating pressure
 - Date of manufacture.

SIHI_0029_GB



5.1.5 EARTHING

Perfect earthing of all conductive parts such as floors, walls, roofs, is important for optimum coating and safety. Barriers, work pieces, transport devices, coating material container, automatic movement system or construction parts in the spray area must be connected to the earthing system, with exception of the high-voltage parts during normal operation.

Parts of the booth must be grounded in accordance with EN 12215.

	 WARNING
	<p>Discharge of electrostatically charged components in atmospheres containing solvents! Explosion hazard from electrostatic sparks or flames</p> <p>→ Earth all unit components. → Earth the workpieces being painted.</p>

SIHI_0027_GB

	 WARNING
	<p>Heavy paint mist if earthing is insufficient! Risk of poisoning Insufficient paint application quality</p> <p>→ Earth all unit components. → Earth the workpieces being painted.</p>

SIHI_0003_GB

The imperfect earthing of a work piece will result in:

- Very poor wrap-around.
- Uneven coating thickness.
- Back spraying to the spray gun, i.e. contamination.

The prerequisites for perfect earthing and coating are:

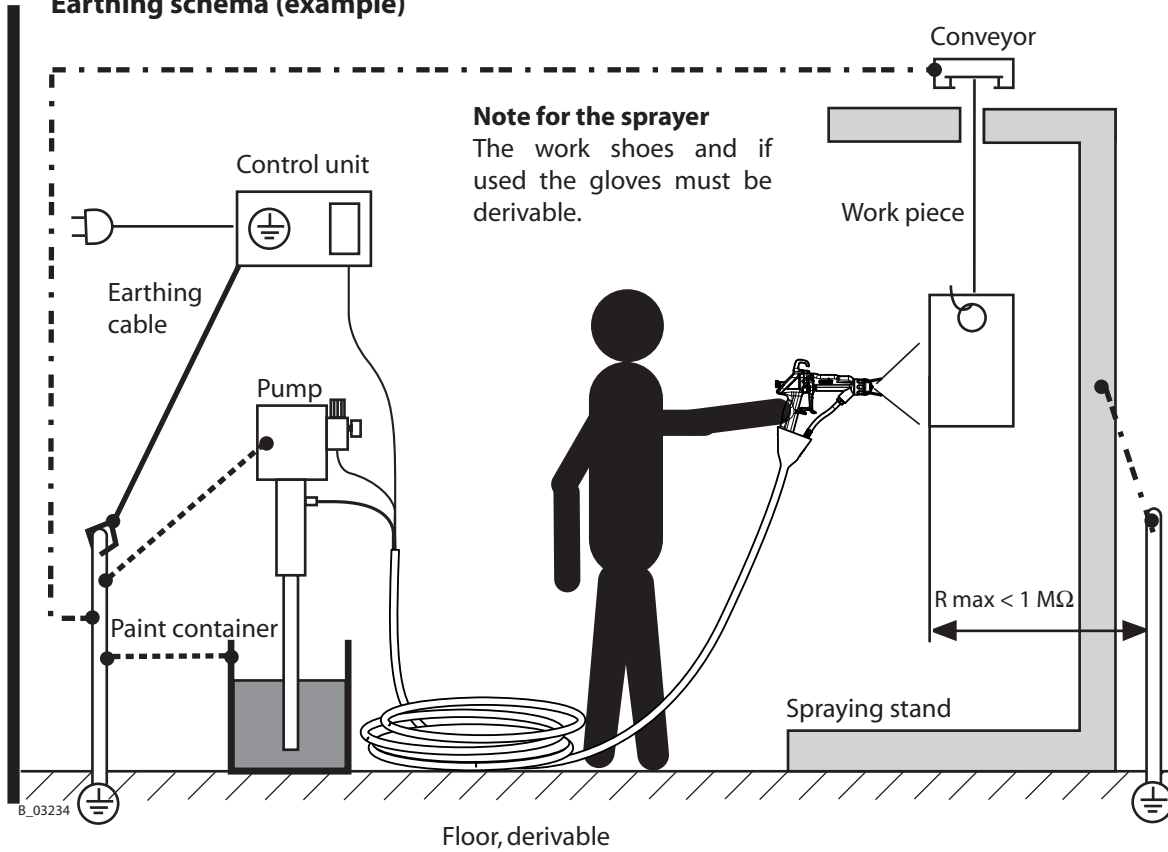
- Clean work piece suspension.
- Earthing of spray booth, conveyor system and suspension on the building side in accordance with the operating instruction or the manufacturer's information.
- Earthing of all conductive parts within the working area.
- The earthing resistance of the work piece may not exceed 1 MΩ (Mega Ohm).

Note:

Resistance to earth measured at 500 V or 1000 V.

- Connect the control unit to the mains system earth.

Earthing schema (example)



Minimum cable cross-section

Control unit	4 mm ² (AWG 12)
Pump	4 mm ² (AWG 12)
Paint container	4 mm ² (AWG 12)
Conveyor	16 mm ² (AWG 6)
Booth	16 mm ² (AWG 6)
Spraying stand	16 mm ² (AWG 6)

5.2 PREPARATION OF PAINTS

The viscosity of the paints is of great importance. The best spraying results are obtained with values between 25 and 40 DIN-s (measured in immersion flow cup DIN 4 mm; 0.16 inches). Processing of up to 60 DIN-s is generally possible without problem, if high coating thicknesses are required.

The Wagner AirCoat flat jet spraying process determined optimally the different viscosity of the paint by two air cap types. These can be found in the Accessories.

In the case of application problems contact the paint producer.



5.2.1 VISCOSITY CONVERSION TABLE

milli Pascal x Sec mPas	Centipoise	Poise	DIN Cup 4 mm ; 0.16 inch	Ford Cup 4	Zahn 2
10	10	0.1		5	16
15	15	0.15		8	17
20	20	0.2		10	18
25	25	0.25	14	12	19
30	30	0.3	15	14	20
40	40	0.4	17	18	22
50	50	0.5	19	22	24
60	60	0.6	21	26	27
70	70	0.7	23	28	30
80	80	0.8	25	31	34
90	90	0.9	28	32	37
100	100	1	30	34	41
120	120	1.2	33	41	49
140	140	1.4	37	45	58
160	160	1.6	43	50	66
180	180	1.8	46	54	74
200	200	2	49	58	82
220	220	2.2	52	62	
240	240	2.4	56	65	
260	260	2.6	62	68	
280	280	2.8	65	70	
300	300	3	70	74	
320	320	3.2			
340	340	3.4			
360	360	3.6	80		
380	380	3.8			
400	400	4	90		



5.3 START-UP

5.3.1 GENERAL RULES FOR MAKING ADJUSTMENTS TO THE SPRAY GUN

→ Observe **safety instructions** in Chapter 2.

	 DANGER
	<p>High voltage field! Danger to life from malfunctioning heart pacemakers</p> <p>Ensure that persons with heart pacemakers:</p> <ul style="list-style-type: none"> → Do not work with the electrostatic spray gun. → Remain outside the area of the electrostatic spray gun/work-piece.

SIHI_0049_GB

	 WARNING
	<p>Unintentional putting into operation! Risk of injury</p> <p>Before all work on the unit, in the event of work interruptions and functional faults:</p> <ul style="list-style-type: none"> → Switch off the energy/compressed air supply. → Relieve the pressure from the spray gun and unit. → Secure the spray gun against actuation. → By functional faults: Identify and correct the problem, proceed as described in chap. „Trouble shooting“.



SIHI_0065_GB

5.3.2 PREPARATION FOR STARTING UP

The following points should be noted before commissioning:

- For earthing see paragraph 5.1.5; make sure that all other conductive parts within the work area are earthed.
- Connect the material hose to spray gun and material pump..
- Check that all material-conveying connections are correctly connected.
- Connect air hose to spray gun and to oil-free, dry air, approx. 0.25 MPa; 2.5 bar; 36 psi. Compressed air quality class 3.5.2 according to ISO 8573.1.
- Check that all air supply connections are connected properly.
- Connect the electric cable to the spray gun and to the VM 5000 or VM 500 control unit.
- Visually check the permissible pressures for all the system components.

- Check the level of the release agent in the Wagner pneumatic pump and if necessary fill the release agent up.
- Provide material container, containers for detergent and an empty container for return.
- Connect the system with a safe gun to the air and power supply.
- A basic flushing of system must be carried out for initial start up. Make sure, that no nozzle is inserted into the gun.

	 WARNING
	<p>Sparks form when the plug is removed! Explosion hazard</p> <p>When using the spray gun in explosion hazard areas: → The cable connection may neither be separated nor put together in this area. Cover sleeve plus warning sign have to be secured over the screw on the connector.</p>

SIHI_0139_ENG

Attention: gun cable to control unit

Cover sleeve with warning sign have to be secured over the screw (84) on the connector.



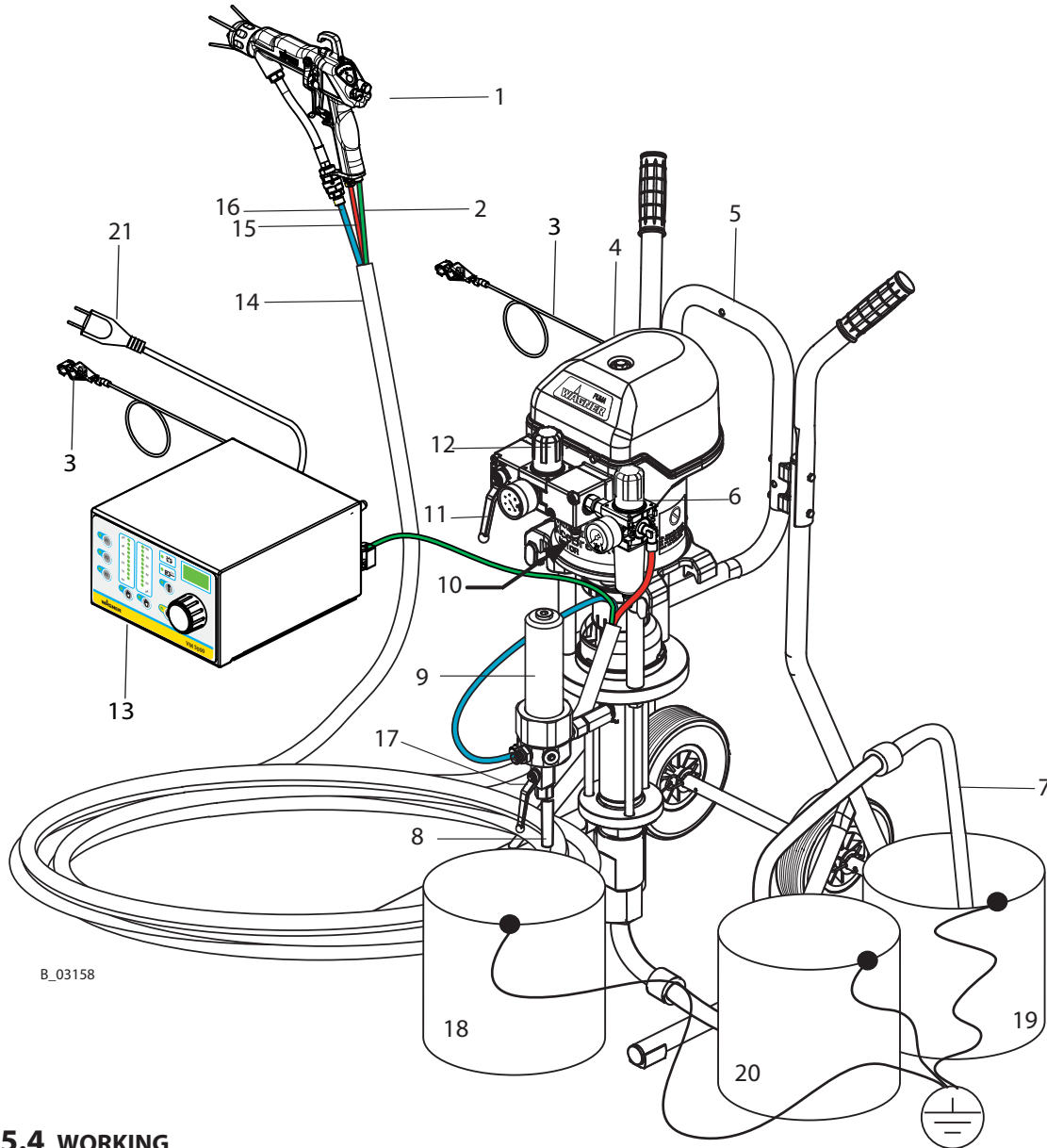
B_03691

Attention: guns with electrical extension cable

Cover sleeves with warning signs have to be secured over the screws (84) on the connectors.



B_03690



B_03158

5.4 WORKING

5.4.1 FILLING WITH WORKING MATERIAL

1. Provide an empty container for return (18). See image B_03158.
2. Place suction hose (7) in the container with working material (19).
Note:
 If the pump is equipped with a rigid suction system, it should only be dipped in into the working material in maximum to the middle of the inlet housing!
3. Adjust approx. 0.05 MPa; 0.5 bar; 7.25 psi on the pressure regulator (12).
4. Open return valve (17).
5. Slowly open the ball valve (11).
6. Adjust the air pressure on the pressure regulator (12) so that the pump runs regularly.
7. Close ball valve (11) as soon as pure working material starts coming from the return tube (8).

8. Close return valve (17).
9. Point the gun, without nozzle, into container (18) and open it.
10. Slowly open the ball valve (11).
11. Close ball valve (11) as soon as pure working material without any air inclusions starts coming from the gun.
12. When there is no pressure remaining in the system close gun.
13. Secure gun.
14. Dispose of the contents of the container (18) according to the local regulations.

5.4.2 START-UP FOR SPRAYING AIRCOAT

1. Secure gun and place the desired nozzle.
2. Set pump (4) to about 8 Mpa; 80 bar; 1160 psi operating pressure and switch on control unit (13).
3. Spray (press the trigger).
4. Adjust the spray pressure at the paint pump according to the nozzle and object being sprayed.
5. Now open AirCoat air (6), approx. 0.01-0.25 MPa; 1-2.5 bar; 14,5-36 psi, and adjust for the optimal atomization.

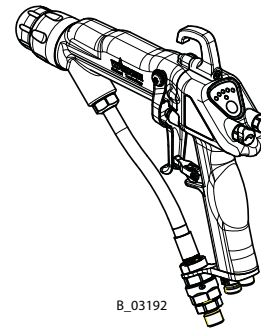
For round-jet method:

6. By turning the nozzle nut, the atomizing air jet can additionally be adjusted.

Notes

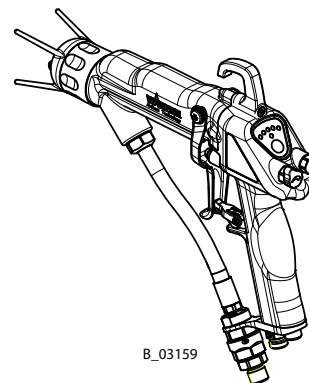
Do not turn the nozzle nut until it is flush with the nozzle body. There must be play for the atomizing air between the nozzle nut and the nozzle body.

The air adjustment at the back of the gun does not affect the spray pattern in this process.




For flat-jet method:

7. Change the width of the spray jet by turning the air adjustment back to the spray gun or by appropriate selection of the nozzle.

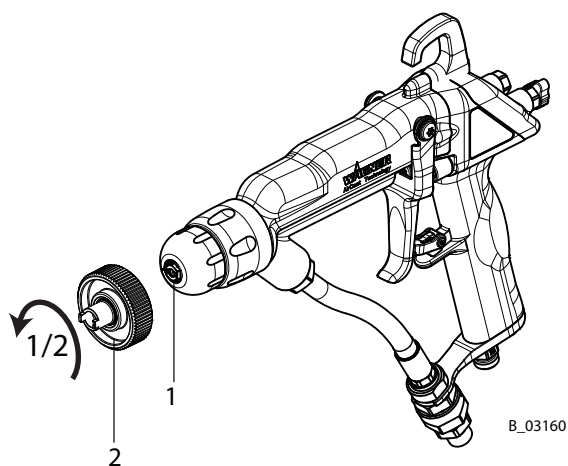


5.4.3 CLEANING OF CLOGGED ROUND JET NOZZLES

	<p style="text-align: center;">! DANGER</p> <p>Exploding gas/ air mixture! Danger to life from flying parts and burns</p> <p>→ Never spray into a closed container. → Earth the container.</p>
---	--

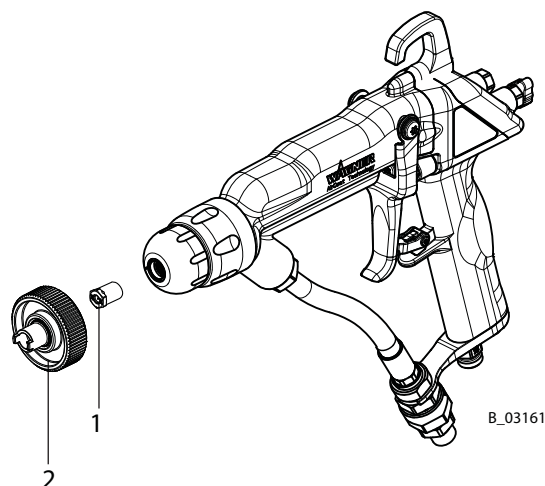
SIHI_0008_GB

1. By means of nozzle spanner (2), loosen nozzle insert (1) by a half turn.
2. Remove the nozzle spanner and briefly actuate trigger guard.
3. After cleaning the nozzle, re-tighten the nozzle insert.



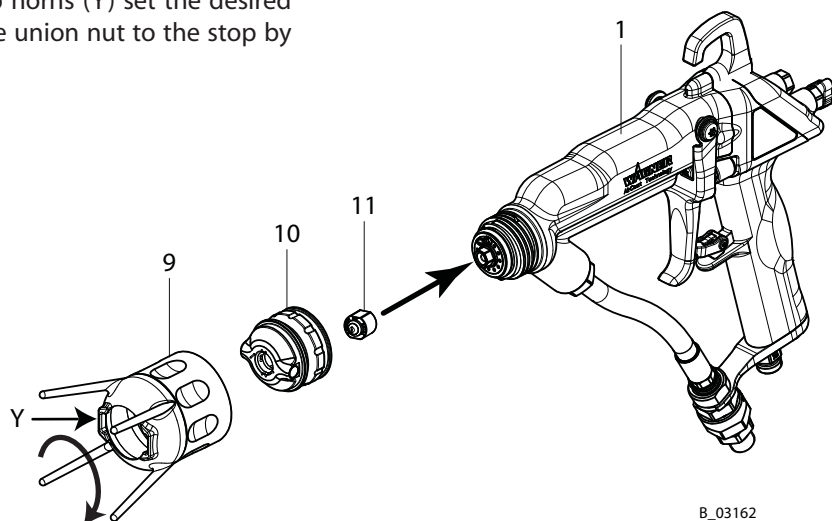
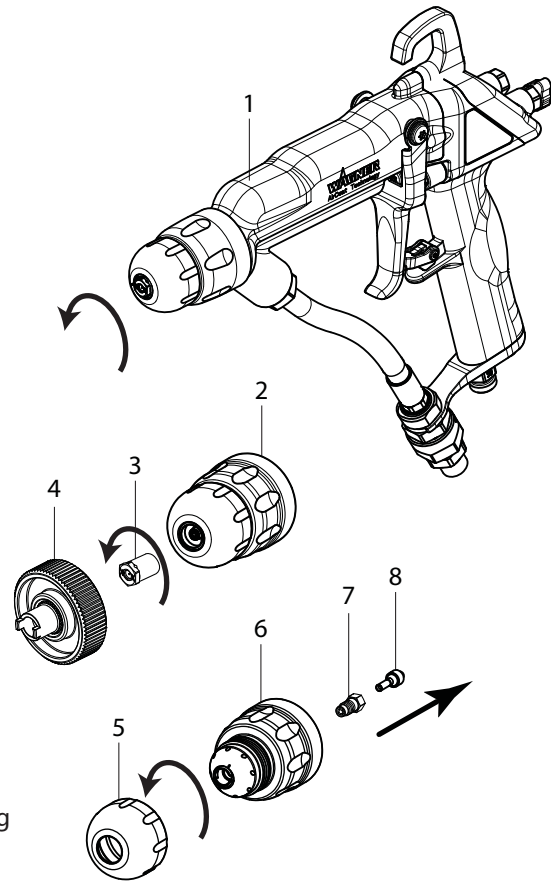
5.4.4 EXCHANGE OF ROUND JET NOZZLE INSERT

1. Remove nozzle insert (1) using nozzle spanner (2).
2. Fit the new nozzle insert.



5.4.5 CHANGING FROM AIRCOAT ROUND JET TO AIRCOAT FLAT JET

1. Flush the spray gun (1) out thoroughly with cleaning agent.
2. Relieve the pressure of gun and unit.
3. Save the spray gun (1) using the trigger lock.
4. Unscrew round jet nozzle cap (2) incl. nozzle insert (3).
5. Unscrew nozzle insert (3) using nozzle spanner (4).
6. Unscrew nozzle nut (5) and remove nozzle screw connection (7) and sealing nipple (8) out off the nozzle body (6) and clean all parts thoroughly.
7. Insert desired ACF 5000 nozzle (11) into the valve housing.
8. Put the air cap (10) on the nozzle (11) and paying attention to the position of the guide surfaces.
9. Screw union nut with attached nozzle guard (9) to the gun body and make sure that the air cap horns lie in the designated recess (Y).
10. Before tightening the air cap horns (Y) set the desired jet level and then tighten the union nut to the stop by hand.



B_03162

5.4.6 REPLACING AIRCOAT FLAT JET NOZZLES

1. Switch off control unit.
2. Relieve the pressure of gun (1) and unit!
3. Save the spray gun (1) using the trigger lock.
4. Unscrew union nut (12) and remove air cap (10).
5. Remove ACF 5000 AirCoat nozzle (11) and brush cleaning solvent until all traces of paint are dissolved.

CAUTION

Defective AirCoat nozzle!

Insufficient paint application quality

→ Do not use sharp-edged objects to treat hard metal on the AirCoat nozzle.

SIFI_0020_GB

6. Insert new ACF 5000 nozzle (11) into the valve housing.
7. Put the air cap (10) on the nozzle (11) and pay attention to the position of the guide surfaces.
8. Screw union nut with attached nozzle guard (9) to the gun body and make sure that the air cap horns lie in the designated recess (Y).
9. Before tightening the air cap horns (Y) set the desired jet level and then tighten the union nut to the stop by hand.

5.4.7 CLEANING OF THE NOZZLES

The AirCoat ACF 5000 nozzles (11), the nozzle inserts (3) and the nozzle screw connection (7) can be placed in a cleaning solvent recommended by the paint manufacturer.

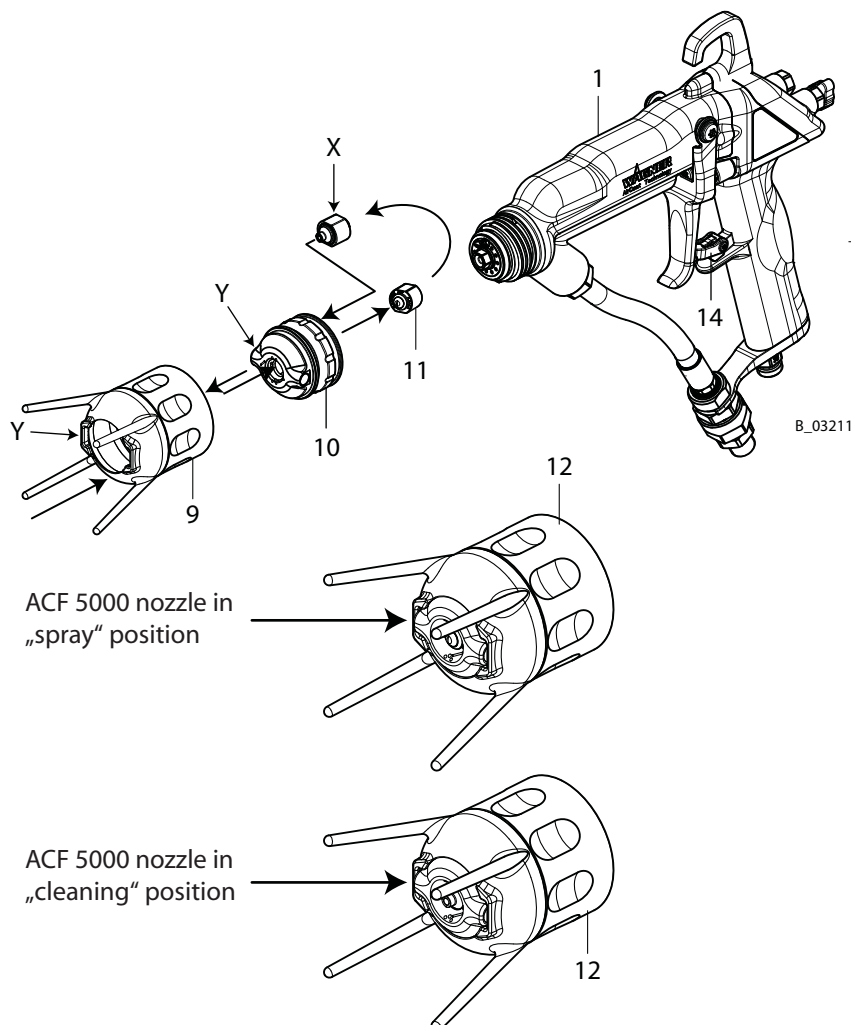
All other nozzle parts may **not be put into cleaning solvent**.

Clean these parts with cleaning solvent recommended by the manufacturer and dry with a cloth or a air-jet gun.

5.4.8 ELIMINATE NOZZLE CLOGGING

1. Switch off control unit.
2. Relieve the pressure of gun and unit.
2. Save the spray gun (1) using the trigger lock (14).
3. Unscrew union nut (12) complete with air cap (10) and ACF 5000 nozzle (11).
4. Remove air cap (10).
5. Pull out the ACF 5000 nozzle (11) from the air cap (10) by hand, reverse it and put it towards the rear into the air cap (10). Pay attention to the position of the guide surfaces (X).

6. Insert air cap (10) with integrated ACF 5000 nozzle (11) into the union nut (9). Make sure that the air cap horns (Y) lie in the recess of the nozzle guard.
7. Screw preassembled union nut (12) to gun (1) and tighten by hand.
8. Switch the material pressure back on.
9. Turn the trigger lock (14) to the spraying position and briefly pull trigger.
10. When the blockage has been flushed out secure the gun with trigger lock.
11. Relieve the pressure of gun and unit.
12. Unscrew union nut (12).
13. Remove air cap (10) and put ACF 5000 nozzle (11) out off air cap by hand. Clean ACF 5000 nozzle and insert it in spraying position into the valve housing.
14. Put the air cap (10) on the nozzle (11) and pay attention to the position of the guide surfaces (X).
15. Screw union nut with attached nozzle guard (9) to the gun body and make sure that the air cap horns lie in the designated recess (Y).
16. Before tightening the air cap horns (Y) set the desired jet level and then tighten the union nut to the stop by hand.
17. Switch the material pressure and the air pressure back on.
18. Switch on the control unit.



6 MAINTENANCE

→ Observe **safety instructions** in chapter 2.

6.1 PERIODICALLY CHECKS

For the safe operation of electrostatic manual coating systems for flammable liquid spraying materials are intervals for periodically inspections defined as follows:

Inspection point	Inspection interval	Remarks
Gun cleaning, flushing	daily	Chapter 2.2.4; chapter 6.1
Earthing measures	weekly	Chapter 2.2.2; chapter 5.1.5
Inspection for damage	weekly	Chapter 6.2; 6.3; 6.4 and 6.5
Locking of the technical ventilation with the electrostatic manual coating system	yearly	Chapter 5.1.2

The above recommended intervals are maximum values and may be modified from operator depending on the local and operational conditions and contamination.


Damaged devices must be taken out of service immediately and repaired.

6.2 CLEANING AND DECOMMISSIONING



The spray gun and the unit must be cleaned every day. Only use the cleaning solvent recommended by the paint manufacturer.

CAUTION
<p>Cleaning agent in the air duct! Functional faults caused by swollen seals</p> <p>→ Never immerse the spray gun in cleaning agent.</p>

SIHI_0066_GB

	WARNING
	<p>Incorrect maintenance/repair! Risk of injury and damage to the equipment</p> <p>→ Repairs and part replacement may only be carried out by specially trained staff or a WAGNER service center.</p> <p>→ Before all work on the unit and in the event of work interruptions:</p> <ul style="list-style-type: none"> - Switch off the energy/compressed air supply. - Relieve the pressure from the spray gun and unit. - Secure the spray gun against actuation. <p>→ Observe the operating instructions when carrying out all work.</p>

SIHI_0141_GB

	 DANGER
	<p>Exploding gas/ air mixture! Danger to life from flying parts and burns</p> <p>→ Never spray into a closed container. → Earth the container.</p>

SIHL_0008_GB

1. Switch off control unit.
2. Ensure that the material pressure is relieved and shut off the air supply to the gun.
3. Connect up the supply of cleaning solvent.

With round jet nozzle fitted:

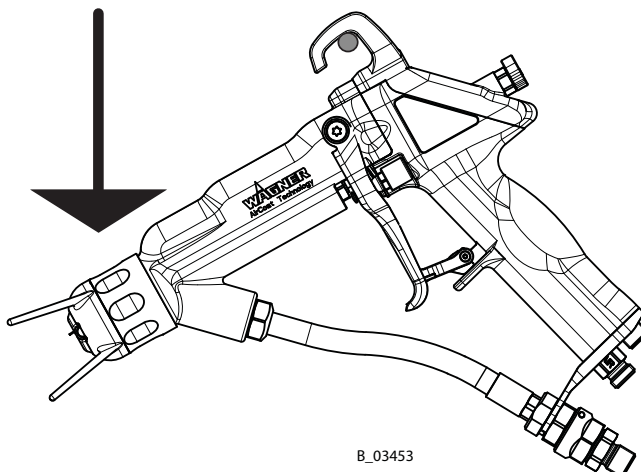
 4. By means of nozzle spanner, loosen nozzle insert by a half turn.
 5. Actuate the trigger guard. Flush the gun through thoroughly.
 6. Relieve the material pressure on the spray gun and the devise!
 7. Tighten nozzle insert.
 8. Clean the spray gun body with a cleaning agent recommended by the manufacturer and dry with a cloth or blow gun.

With flat jet nozzle fitted:

 4. Remove AirCoat nozzle and clean separately (see paragraph 5.4.7).
 5. Actuate the trigger guard. Flush the gun through thoroughly.
 6. Relieve the material pressure on the spray gun and the devise!
 7. Clean gun body with a cleaning agent recommended by the manufacturer and dry with a cloth or blow gun.

<h2>CAUTION</h2>
<p>Cleaning agent in the air duct! Functional faults caused by swollen seals Discharge current to ground -> no high voltage</p> <p>→ Always point the spray gun down when cleaning. → Ensure that neither paint nor cleaning agent enters the air duct. → When taking a break from work or when stored for a longer period, the spray gun has to be positioned correctly with the attachment pointing downwards.</p>

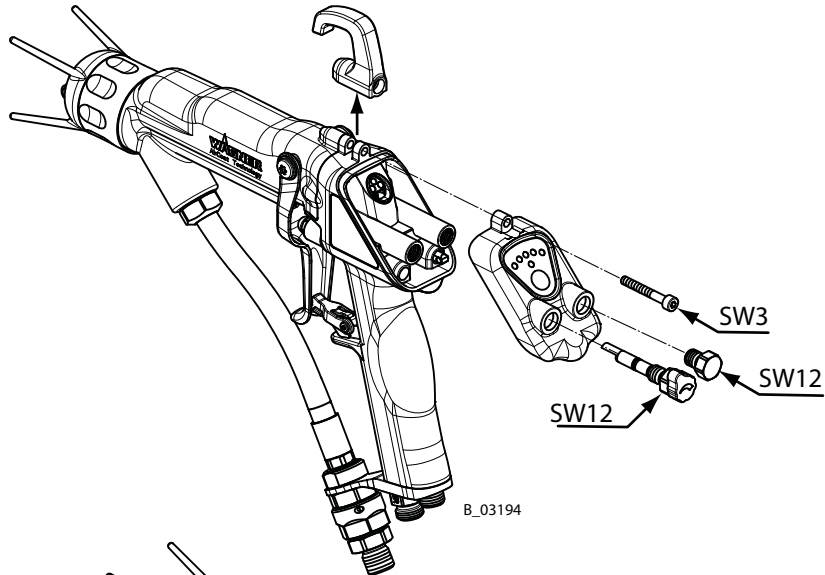
SIHL_0145_GB



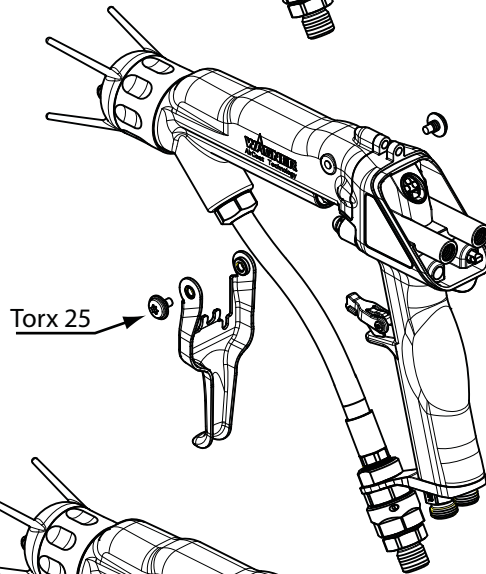
B_03453

6.3 DISMANTLING OF THE SPRAY GUN

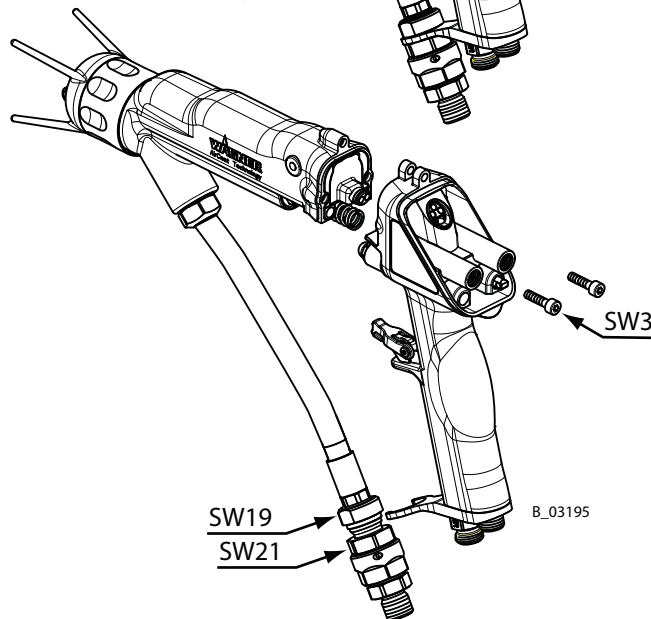
1



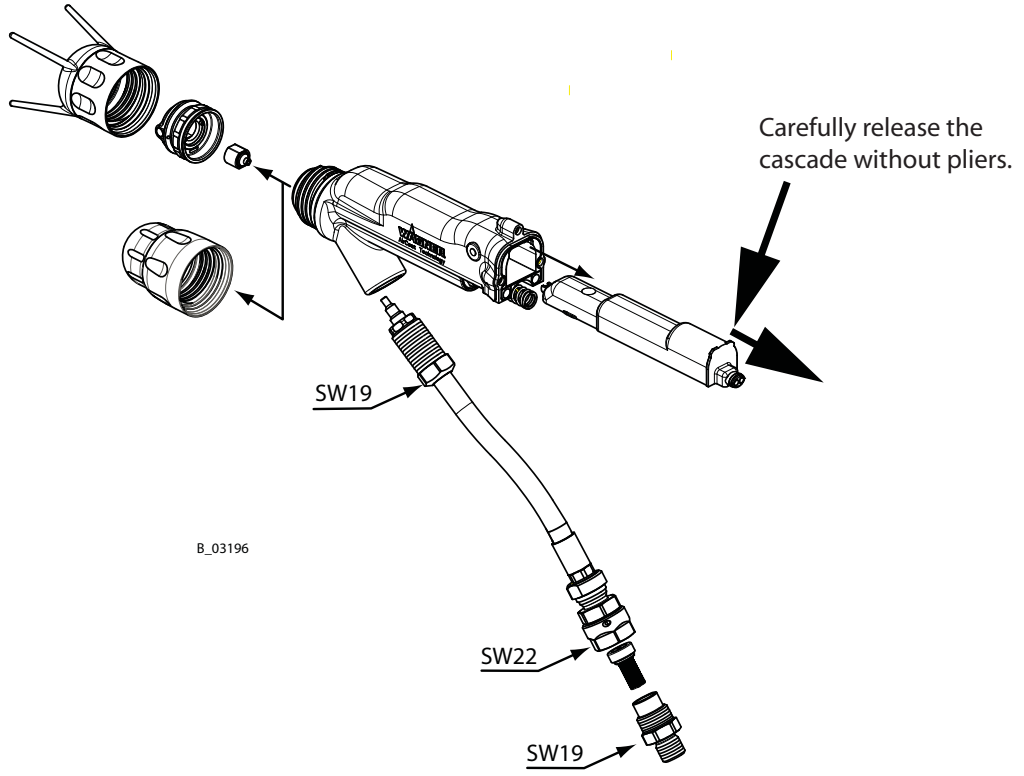
2



3

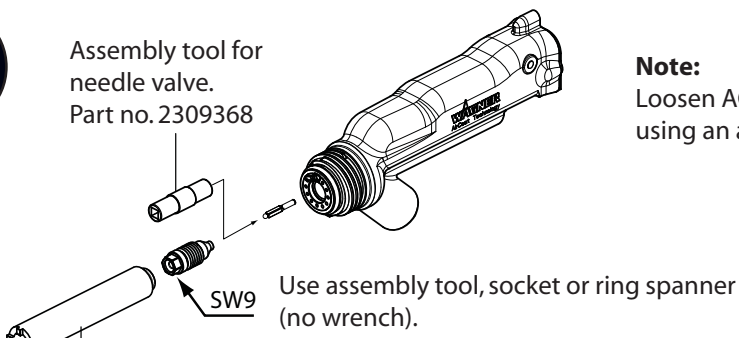


4



5

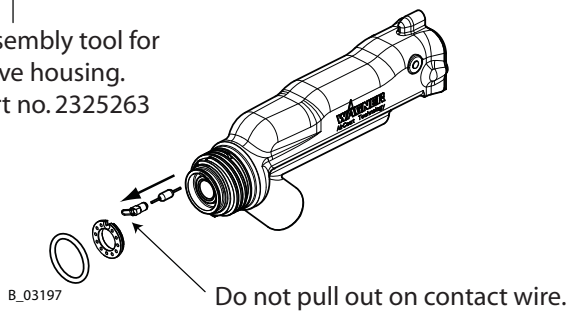
Assembly tool for needle valve.
Part no. 2309368



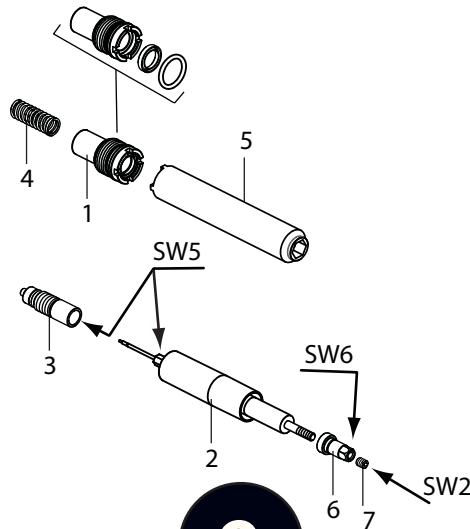
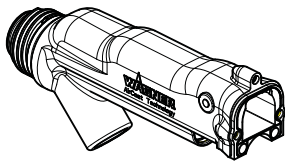
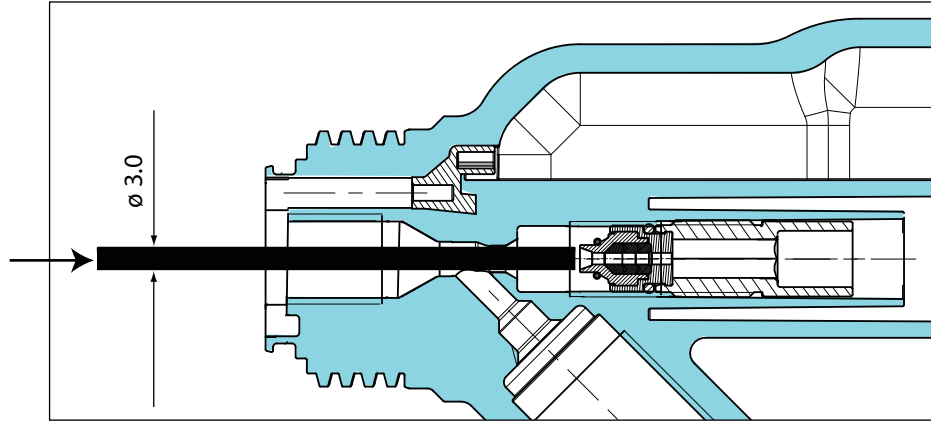
Note:
Loosen AC valve tip by hand using an assembly tool.

6

Assembly tool for valve housing.
Part no. 2325263



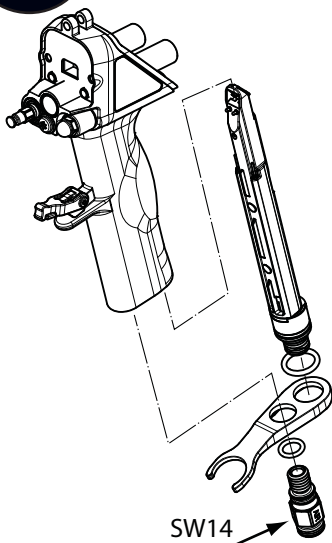
7



B_03198

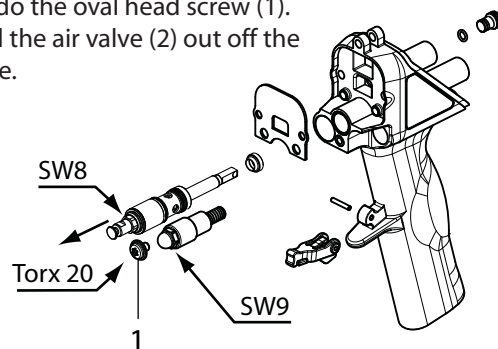
1. Remove pressure spring (4).
2. Loosen clamping screw (1) completely with assembly tool (5).
3. Unscrew the complete package (3) via the complete valve rod unit (2, 6 and 7) or pull out the valve rod unit and unscrew it using an Allen key SW5.
4. If the loosened package (3) in the hole jammed, emit from the front (see upper image).

8

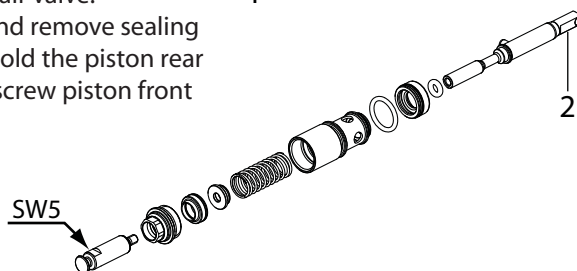


9

1. Undo the oval head screw (1).
2. Pull the air valve (2) out off the hole.



Removing air valve:
Unscrew and remove sealing nut SW8. Hold the piston rear (2) and unscrew piston front SW5.



B_03199

6.4 CLEANING THE PARTS AFTER DISASSEMBLY

ATTENTION

Please note:

- All reusable parts (except for the parts that conduct the high-voltage such as cascade, end piece, plug compl. etc.) should be cleaned thoroughly using a suitable cleaning agent.
- The end piece, plug compl. and the handle inside must be clean and dry after cleaning. Care should be taken that these parts remain free of solvents, grease or sweat from the hands (salt water).
- Only spare parts are used which have undergone an EC type examination and are subject to a quality assessment (production monitoring) according to Directive 94/9/EC.
- Spare parts may have safety-relevant properties.
- Defective parts, O-rings and seal sets must always be re-placed.



WARNING

Incompatibility of cleaning agent and working medium!

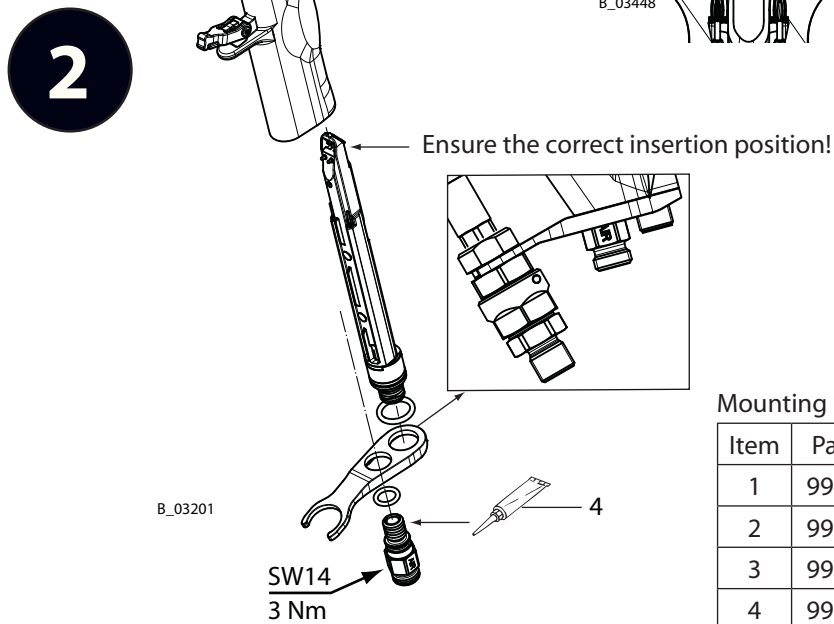
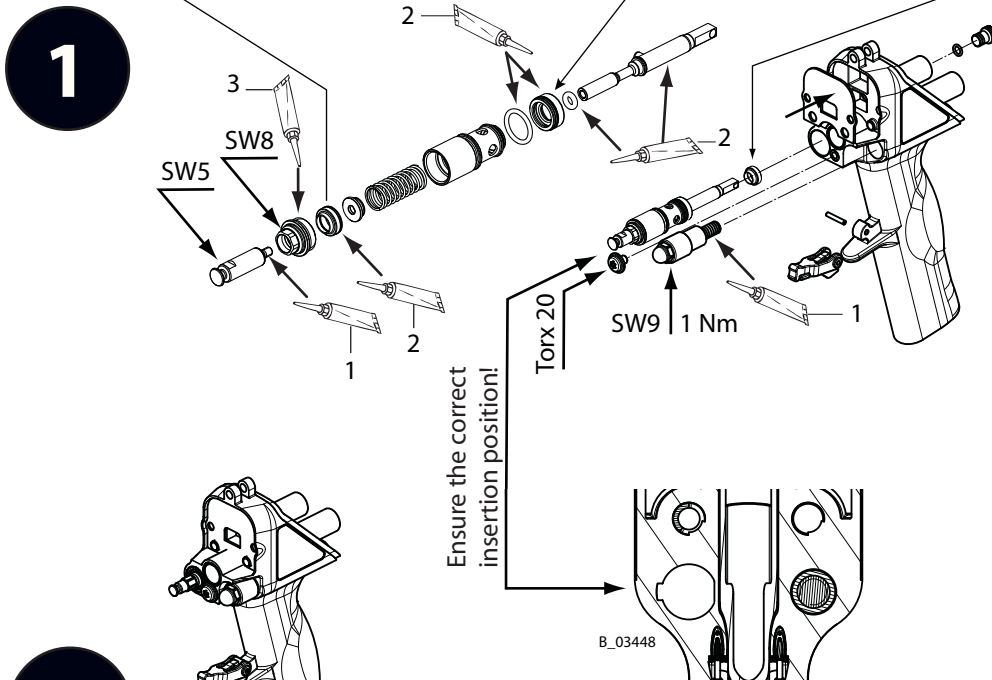
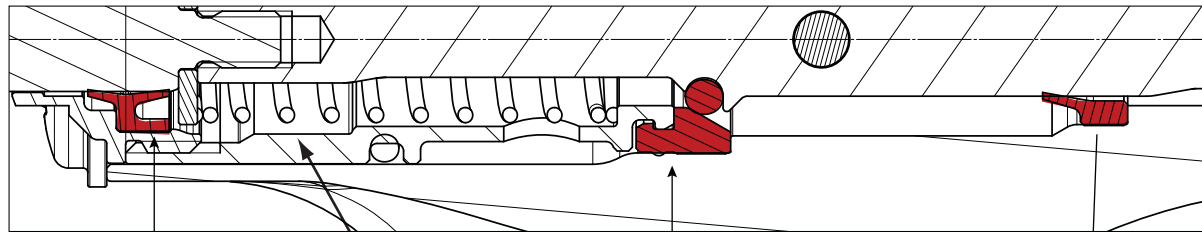
Risk of explosion and danger of poisoning by toxic gasses

- Check the compatibility of cleaning agent and working medium in accordance with safety data sheets.

SIHI_0060_GB

In chapter 10 can be found part numbers for gun spare parts as well as for wearing parts such as seals.

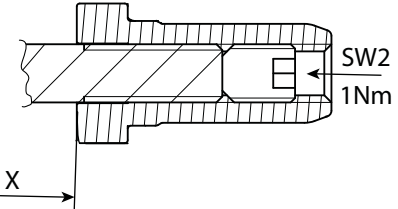
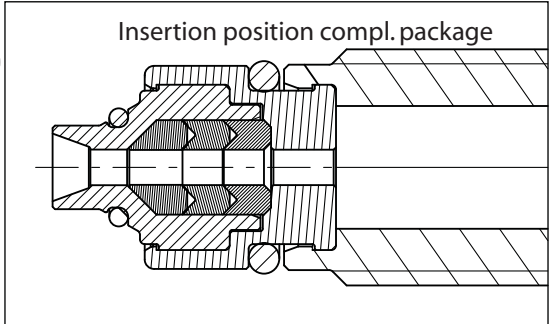
6.5 ASSEMBLING THE SPRAY GUN



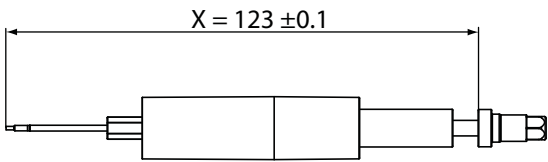
Mounting materials:

Item	Part No.	Description
1	9992590	Loctite 222
2	9992698	Vaseline white PHHV II
3	9992831	Loctite 542
4	9992511	Loctite 243

3



Set measure X with withdrawal nut and then fasten it with the threaded pin (SW2).



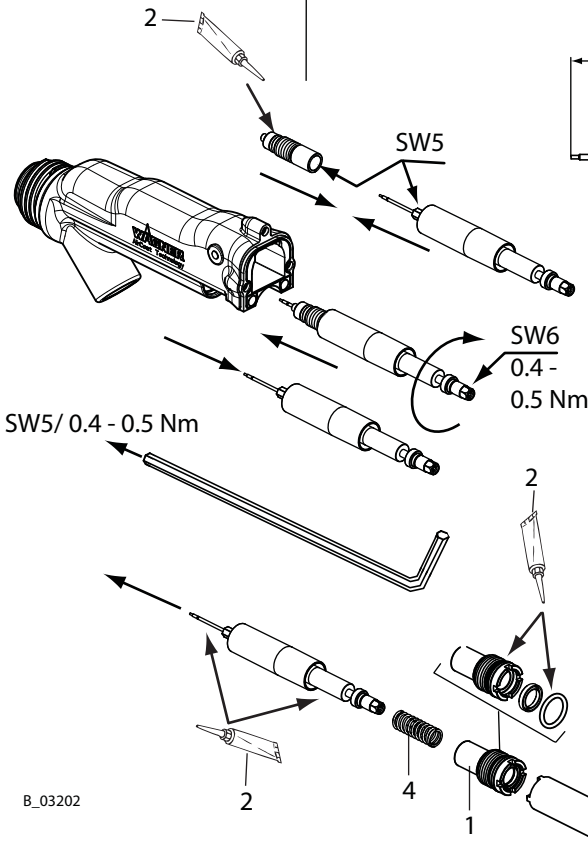
Push together the valve rod unit and the compl. package.

Screw in together the valve rod unit and the compl. package.

Remove the valve rod unit.

Tighten the compl. package.

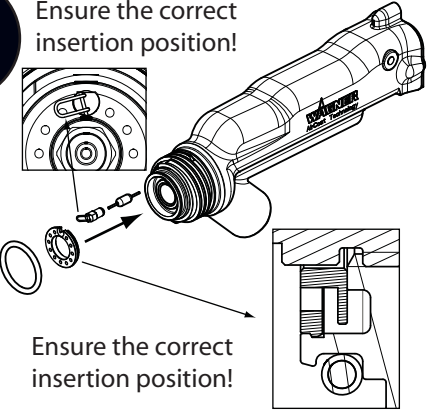
Carefully insert the valve rod unit and mount the complete clamping screw (1) with assembly tool (5).



B_03202

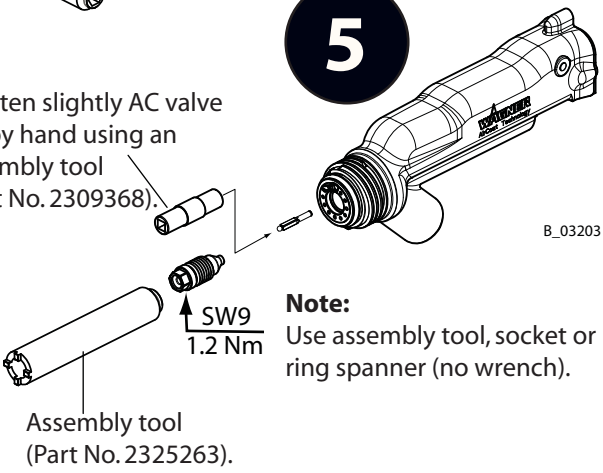
4

Ensure the correct insertion position!



Tighten slightly AC valve tip by hand using an assembly tool (Part No. 2309368).

5

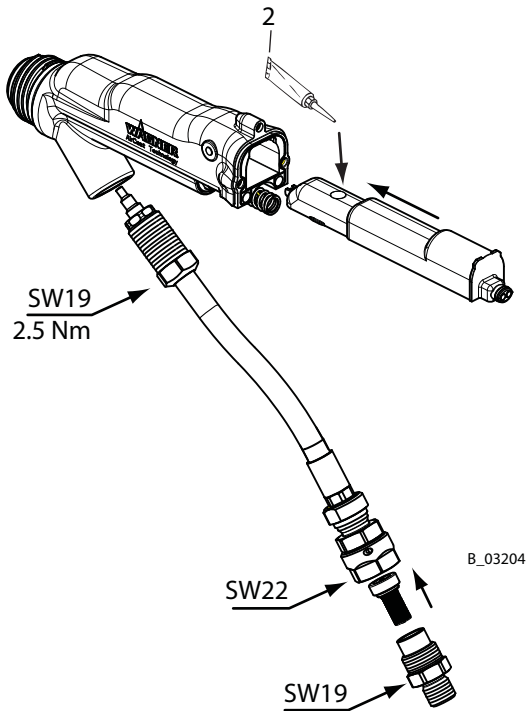


B_03203

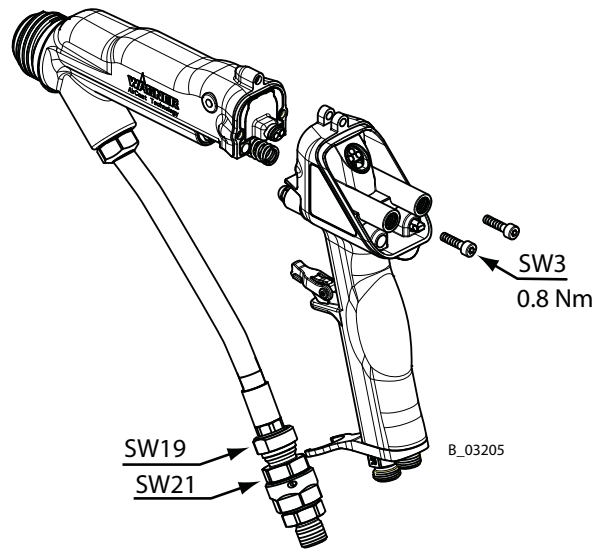
Note: Use assembly tool, socket or ring spanner (no wrench).

Assembly tool (Part No. 2325263).

6 Clean and degrease the inside of the end piece and the cascade, then grease the cascade surface with Vaseline.

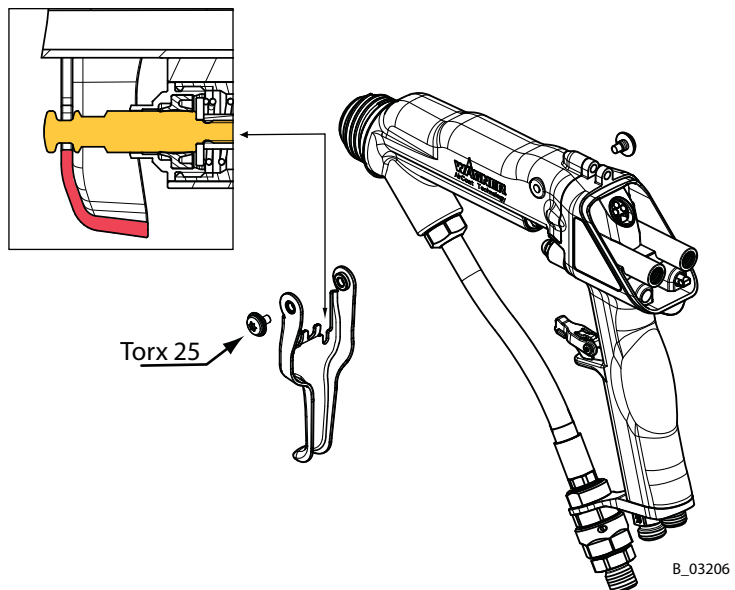


7

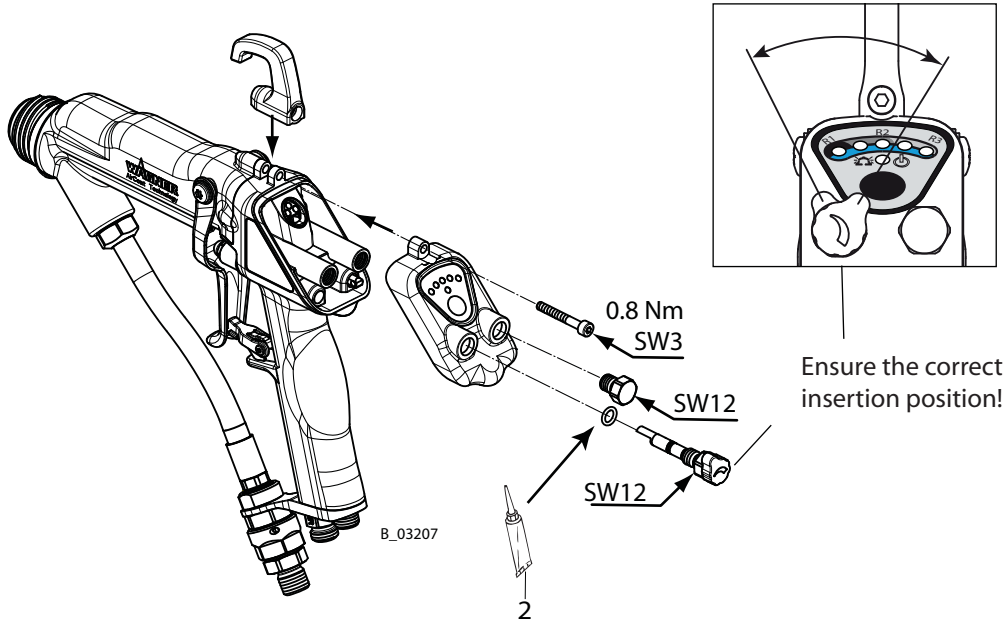


8

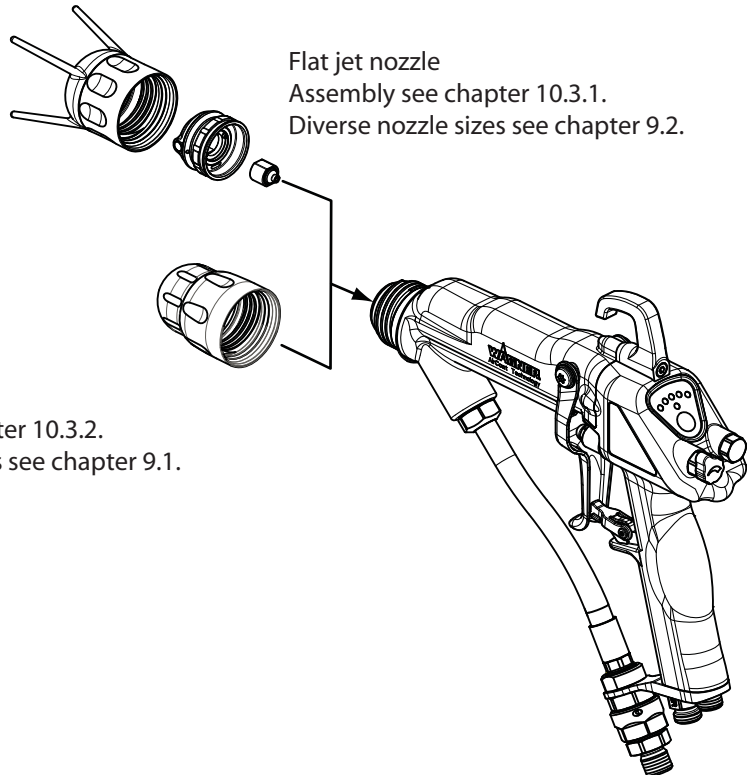
Push the trigger upward into the air valve piston.



9



10



Round jet nozzle
Assembly see chapter 10.3.2.
Diverse nozzle sizes see chapter 9.1.

6.6 FUNCTION TEST AFTER ASSEMBLY OF THE GUN

6.6.1 CHECKING THE HIGH-VOLTAGE

Necessary test equipment:

VM 500 or VM 5000 control unit and HV200 high-voltage tester.

High-voltage measurements on spraying gun.

Connect gun cable to control unit. Take the spray gun in your hand and hold into open space. Switch on control unit and actuate trigger guard.

The high-voltage should be 60 to 65 kV with dry ambient air. The value can be checked with the display on the control unit (VM 5000).

Note

The gun must be clean and dry and must not have any colour or cleaning agent residues.

In the case of ambient air with a high air humidity, the measured value reduces to 50 to 55 kV.

High-voltage measurement with high-voltage tester

Place the ball of the high-voltage tester on the gun electrode and switch on the high-voltage. The measured value should be 70 to 80 kV.

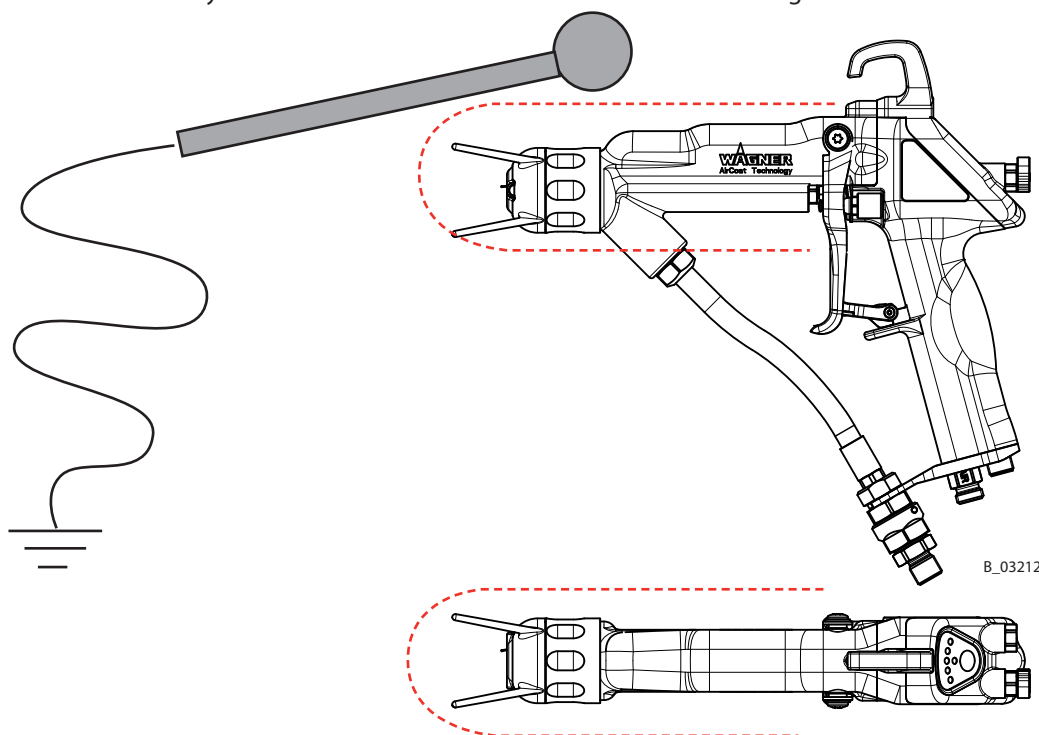
Note

- When measuring the high-voltage the gun and the measuring device should be held at arms length as far away from the body as possible.
- There should be no chargeable objects within a radius of 1 m; 3.28 ft of the place where the measurements are taken.
- The placing of the measuring ball of the high-voltage measuring device reduces the spraying of the high-voltage electrode. As a result the high-voltage value increases compared to the spraying in the free space.

Disruptive discharge test

Check the gun against earth with the earthing rod. No sparks should be formed.

Note: In the vicinity of the electrode can occur harmless corona discharges.



B_03212

6.6.2 AIR TESTS

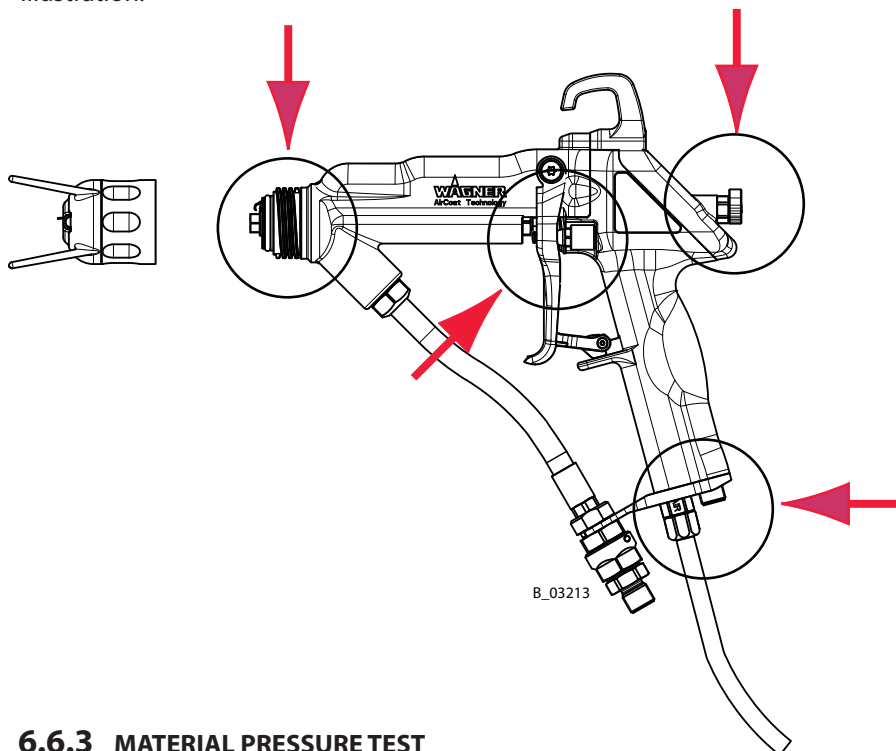
Connect test or air hose to the spray gun and switch on mains pressure 0.8 MPa; 8 bar; 116 psi max.

Checking the air valve

The air valve must switch on and off cleanly.
Test up to approx. 0.8 MPa; 8 bar; 116 psi.

Air tightness

With the trigger guard unactuated, test for air tightness at the points marked in the illustration:



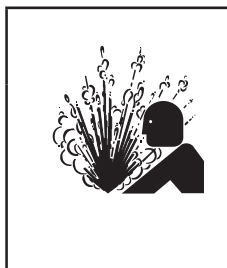
6.6.3 MATERIAL PRESSURE TEST

Connect high pressure hose to the spray gun.

Test the spray gun for tightness with solvent or spray oil (e.g. Macrol 52) and a max. pressure of 25 MPa; 250 bar; 3626 psi.

Observe the following gun components:

Material connection, nozzle body, material valve (no after-spraying).



! DANGER

Exploding gas/ air mixture!

Danger to life from flying parts and burns

- Never spray into a closed container.
- Earth the container.

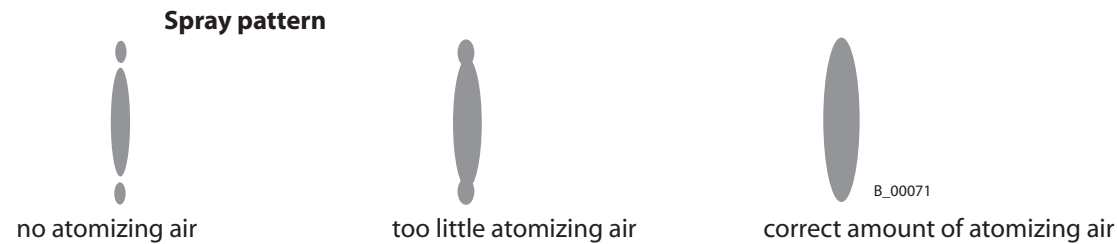
6.6.4 CHECK SPRAY PATTERN

Start AirCoat spraying (without electrostatics)

1. Start up with material supply set to approx. 8 MPa; 80 bar; 1160 psi operating pressure.
2. Spray (release trigger safety catch and pull trigger) and check the atomisation.
3. Set the fluid pressure on the material supply to the point where a further increase in fluid pressure would significantly improve fluid atomization.
4. Open air pressure regulator for the atomizer air and adjust so as to achieve optimal atomization. The interrelation between spray pattern and atomizer air is shown in the figure below.
5. With the air adjustment on the gun, the ratio from adjustment to atomization until the optimum spray pattern is achieved.

Note:

Repeat point 4 and 5 until the optimum spray pattern is reached (process iterative).



Note:

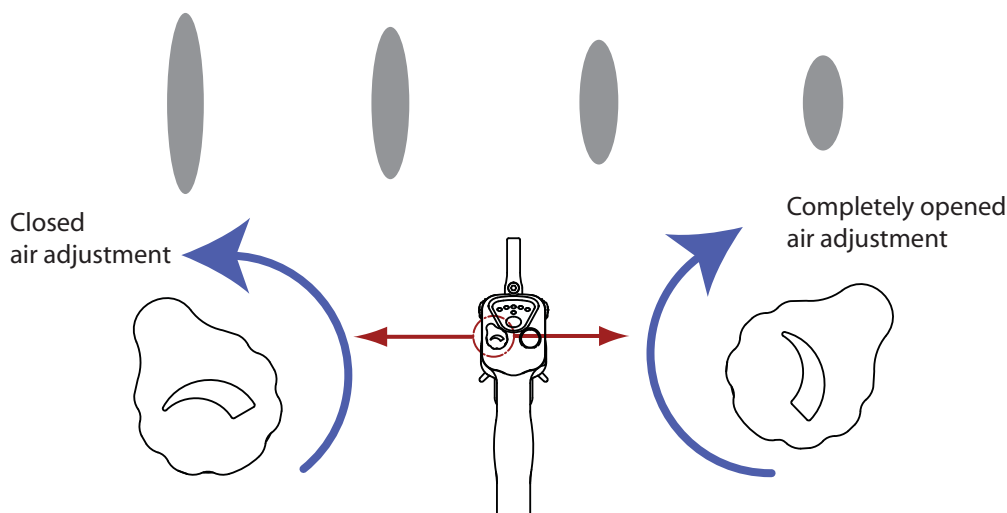
The paint output volume can be changed by:

- Changing the material pressure or
- using a different flat jet nozzle (see chapter 9).

Influence of the air adjustment on the spray pattern shape

The spray pattern can be adjusted to suit the object being sprayed using the air adjustment. The illustration below shows the influence of the shaping air regulator on the spraying pattern.

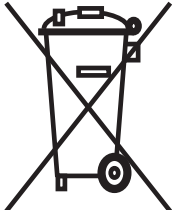

Other nozzle sizes can be used to obtain larger or smaller spraying patterns.



7 TROUBLE SHOOTING AND SOLUTION

Functional fault	Cause	Remedy
Insufficient material output	• Nozzle too small.	• Select larger nozzle (see Accessories chapter 9).
	• Material pressure too low.	• Increase material pressure.
	• Filter of gun or high pressure filter at pump clogged.	• Clean or replace filter.
	• Nozzle is clogged.	• Nozzle cleaning (see paragraph 5.4.3 / 5.4.8).
Poor spray pattern	• Wrongly adjusted atomizing air.	• Readjust the atomizing air.
	• Nozzle too large.	• Select smaller nozzle (see nozzle table).
	• Material pressure too low.	• Increase pressure at pump.
	• Material viscosity too high.	• Thin material in accordance with the manufacturer's instructions.
Valve rod leaks	• Seals at the valve rod are damaged	• Replace the seals (see chapter 6).
	• Loose package.	• Tighten.
Poor wrap-around	• Inadequate earthing.	• Check earthing.
	• Inadequate electrical resistance of the paint.	• Check resistance of paint in accordance with paragraph 4.1.1.
	• Spraying pressure too high.	• Readjust spraying pressure.
Back spraying	• No earthing.	• Check earthing.
	• Distance between spray gun and object too large.	• Reduce distance between spray gun and object
	• Nozzle nut placed too far forward.	• Screw back nozzle nut (decrease air distributor ring gap).
No wrap-around	• High-voltage switch is in the off position.	• Switch on high-voltage.
	• No electrostatics.	• Repair malfunction as laid down in the control unit operating instructions.

8 PRODUCT DISPOSAL

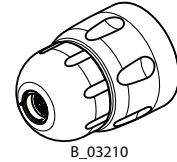
Note	
 	<p>Do not dispose of waste electrical equipment with the household refuse!</p> <p>In accordance with European Directive 2002/96/EC on the disposal of waste electrical equipment and its implementation in national law, this product may not be disposed of with the household refuse, but must rather be recycled in an environmentally correct manner. Your waste Wagner electrical device will be taken back by us or our representatives and disposed of environmentally correctly. Please contact one of our service points or one of our representatives or us directly to this purpose.</p>

SIHL_0127_GB

9 ACCESSORIES

9.1 ACR 5000 ROUND JET NOZZLE CAP

Part No.	Description
2309883	ACR 5000 round jet nozzle cap (with nozzle spanner, without AC round jet nozzle insert)

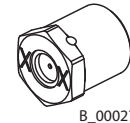


B_03210

9.1.1 AIRCOAT ROUND JET NOZZLE INSERTS

The round jet nozzles are especially suited to spray pipes, profiles and complex work pieces.

Part No.	Marking	Jet width mm; inches	Recommended gun filter
132720	11	approx. 250; 10	Edge filter (200 mesh)
132721	12	approx. 250; 10	
132722	13	approx. 250; 10	
132723	14	approx. 250; 10	
132724 *	15	approx. 250; 10	
132725	16	approx. 250; 10	Edge filter (100 mesh)
132726	17	approx. 250; 10	
132727	18	approx. 250; 10	
132728	19	approx. 250; 10	
132729	20	approx. 250; 10	Edge filter (50 mesh)
132730	21	approx. 250; 10	
132731	22	approx. 250; 10	



B_00027

* Standard version

Jet width in mm; inches at a distance of 30 cm; 11.8 inches from the object and at a pressure of 10 MPa; 100 bar; 1450 psi.

9.2 ACF 5000 AIR CAPS (FLAT JET)

Part No.	Description
2309882	ACF 5000 - LV air cap, suitable for low viscosity materials (marked red)
2314203	ACF 5000 - HV air cap, suitable for high viscosity materials (marked blue)

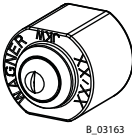


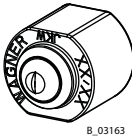
B_03454



B_03209

9.2.2 ACF 5000 AIRCOAT FLAT JET NOZZLES

Part No.	Marking	Diameter of bore mm; inch	Spray angle	Application
				
395107 395207 395407	07/10 07/20 07/40	0.18; 0.007	10° 20° 40°	Natural paint
395109 395209 395309 395409 395509 395609	09/10 09/20 09/30 09/40 09/50 09/60	0.23; 0.009	10° 20° 30° 40° 50° 60°	Transparent lacquer Oil
395111 395211 395311 395411 395511 395611 395811	11/10 11/20 11/30 11/40 11/50 11/60 11/80	0.28; 0.011	10° 20° 30° 40° 50° 60° 80°	Synthetic resin paint PVC paint
395113 395213 395313 395413 395513 395613 395813	13/10 13/20 13/30 13/40 13/50 13/60 13/80	0.33; 0.013	10° 20° 30° 40° 50° 60° 80°	Paint, undercoat Priming paint Filler
395115 395215 395315 395415 395515 395615 395815	15/10 15/20 15/30 15/40 15/50 15/60 15/80	0.38; 0.015	10° 20° 30° 40° 50° 60° 80°	Filler Rust proofing paint
395217 395317 395417 395517 395617 395817	17/20 17/30 17/40 17/50 17/60 17/80	0.43; 0.017	20° 30° 40° 50° 60° 80°	Rust proofing paint Latex paint

Part No.	Marking	Diameter of bore mm; inch	Spray angle	Application
				
395219	19/20	0.48; 0.019	20°	Rust proofing paint Latex paint
395319	19/30		30°	
395419	19/40		40°	
395519	19/50		50°	
395619	19/60		60°	
395819	19/80		80°	
395221	21/20	0.53; 0.021	20°	Mica paint Zinc dust coating Rust proofing paint Glue paints
395421	21/40		40°	
395521	21/50		50°	
395621	21/60		60°	
395821	21/80		80°	
395423	23/40		0.58; 0.023	
395623	23/60	60°		
395823	23/80	80°		
395425	25/40	0.64; 0.025	40°	
395625	25/60		60°	
395825	25/80		80°	
395427	27/40	0.69; 0.027	40°	
395627	27/60		60°	
395827	27/80		80°	
395429	29/40	0.75; 0.029	40°	
395629	29/60		60°	
395829	29/80		80°	
395431	31/40	0.79; 0.031	40°	
395631	31/60		60°	
395831	31/80		80°	
395435	35/40	0.90; 0.035	40°	
395635	35/60		60°	
395835	35/80		80°	

9.3 FILTERS

Part No.	Description
3204604	Edge filter 60 mesh (white)
3204605	Edge filter 100 mesh (black)
9999002	Edge filter 200 mesh (yellow)



B_00019

9.4 REDUCTION FITTINGS FOR HIGH-PRESSURE HOSES

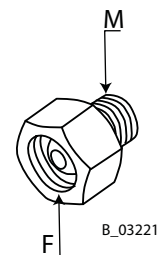
The classification of WAGNER fittings is consistent with the following classification, each separated by high-pressure and low pressure fittings.

DF	Double fitting - Male / Male thread
RF	Reduction fitting - Female / Male thread
SF	Adjustable screw - Female / Male thread: allows precise angle adjustment (Swivel)
EF	90° elbow - Adjustable or Male / Male thread (Elbow-Fitting)
BF	Bulkhead fastener - Male / Male thread with pressure resistant execution
PF	Stopper - Male thread to be closed (Plug-Fitting)
HF	Hose fitting with union nut and sealing cone (Hose-Fitting)

The short description of the fittings are as follows:

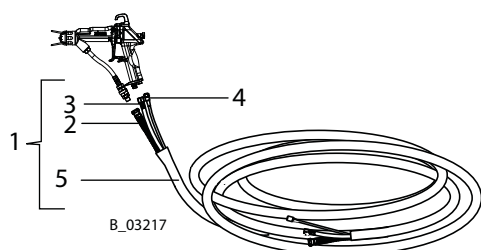
DF-	MM-	G3/4"-	1/4"NPS-	PN270-	SSt
					Materials, SSt = Stainless steel
					Nominal pressure (in bar)
					1. Thread, e.g. G1/4", 1/4"NPS
					2. Thread, e.g. G1/4", 1/4"NPS, M16x1.5
					M: Male (external thread) F: Female (internal thread)
Short description see list above, e.g. RF = Reduction Fitting					

Part No.	Description
384555	Reduction fitting-RF-FM-M16x1,5-1/4"NPS-PN530-SSt
384559	Reduction fitting-RF-FM-M16x1,5-G1/4"-PN530-SSt
384556	Reduction fitting-RF-FM-M16x1,5-3/8"NPSM-PN530-SSt
34041	Reduction fitting-RF-FM-1/4"NPS-M16x1,5--PN270-SSt
179732	Reduction fitting-RF-FM-1/4"NPS-3/8"NPS--PN270-SSt
179247	Reduction fitting-RF-FM-1/4"NPS-G1/4"--PN270-SSt



B_03221

In the large Wagner Accessories Catalogue for wet coating can also be found other material screw connections.

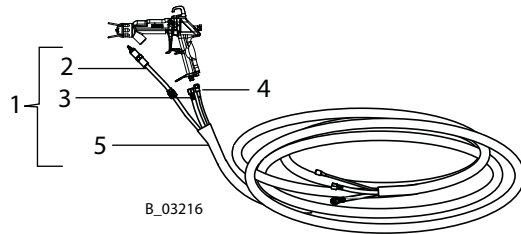
9.5 HOSES AND ELECTRICAL CABLES**9.5.1 STANDARD HOSE SETS AND COMPONENTS**

Item	Qty	Part No.	Description
1	1	2309857	GM 5000EAC hose set (7.5 m)
Consisting of:			
2	1	9984573	High pressure hose-DN4-PN270-¼"NPS-7.5 m-PA
3	1	2312060	Air hose compl. (8.0 m)
4	1	2307293	GM 5000E gun cable (10.0 m)
5	7 m	3676437	Protective hose mesh PP30 (7.0 m)

Item	Qty	Part No.	Description
1	1	2309858	GM 5000EAC hose set (10.0 m)
Consisting of:			
2	1	9984573-10	High pressure hose-DN4-PN270-¼"NPS-10.0 m-PA
3	1	2312061	Air hose compl. (10.5 m)
4	1	2309474	GM 5000E gun cable (15.0 m)
5	9.5 m	3676437	Protective hose mesh PP30 (9.5 m)

Item	Qty	Part No.	Description
1	1	2309859	GM 5000EAC hose set (15.0 m)
Consisting of:			
2	1	9984573-15	High pressure hose-DN4-PN270-¼"NPS-15.0 m-PA
3	1	2312062	Air hose compl. (15.5 m)
4	1	2309475	GM 5000E gun cable (20.0 m)
5	14.5 m	3676437	Protective hose mesh PP30 (14.5 m)

Item	Qty	Part No.	Description
1	1	2309860	GM 5000EAC hose set (20.0 m)
Consisting of:			
2	1	9984573-20	High pressure hose-DN4-PN270-¼"NPS-20.0 m-PA
3	1	2312063	Air hose compl. (20.5 m)
4	1	2309476	GM 5000E gun cable (25.0 m)
5	19.5 m	3676437	Protective hose mesh PP30 (19.5 m)

9.5.2 HOSE SETS FOR LOW IMPEDANCE MATERIALS**Note to the material hose:**

- nominal pressure 250 bar
- inlet diameter 4 mm
- inside hose material FEP

Item	Qty	Part No.	Description
1	1	2309951	GM 5000EAC hose set (7.5 m), Low R
Consisting of:			
2	1	2310468	EAC high pressure paint hose, compl. (7.5 m) LowR
3	1	2312060	Air hose compl. (8.0 m)
4	1	2307293	GM 5000E gun cable (10.0 m)
5	7m	3676437	PP30 protective hose mesh (7.0 m)

Item	Qty	Part No.	Description
1	1	2309952	GM 5000EAC hose set 10.0 m), Low R
Consisting of:			
2	1	2310469	EAC high pressure paint hose, compl. (10.0 m) LowR
3	1	2312061	Air hose compl. (10.5 m)
4	1	2309474	GM 5000E gun cable (15.0 m)
5	9.5 m	3676437	PP30 protective hose mesh (9.5 m)

Item	Qty	Part No.	Description
1	1	2309953	GM 5000EAC hose set (15.0 m), Low R
Consisting of:			
2	1	2310470	EAC high pressure paint hose, compl. (15.0 m) LowR
3	1	2312062	Air hose compl. (15.5 m)
4	1	2309475	GM 5000E gun cable (20.0 m)
5	14.5 m	3676437	PP30 protective hose mesh (14.5 m)

Item	Qty	Part No.	Description
1	1	2309954	GM 5000EAC hose set (20.0 m), Low R
Consisting of:			
2	1	2310471	EAC high pressure paint hose, compl. (20.0 m) LowR
3	1	2312063	Air hose compl. (20.5 m)
4	1	2309476	GM 5000E gun cable (25.0 m)
5	19.5 m	3676437	PP30 protective hose mesh (19.5 m)

9.5.3 GUN CABLE AND GUN CABLE EXTENSIONS

Part No.	Description
2307295	GM 5000E extension cable 10 m
2307296	GM 5000E extension cable 20 m



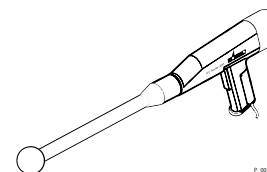
B_03219

9.6 MISCELLANEOUS

Part No.	Description
2319653	Gun protective cover
259010	HV200 N high-voltage tester
2326041	Paint resistance measuring device
999080	Wet film thickness measurer
50342	Viscosity cup DIN 4 mm; 0.16 inches



B_03693



P_00285



B_03692



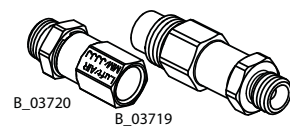
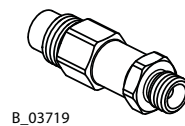
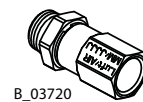
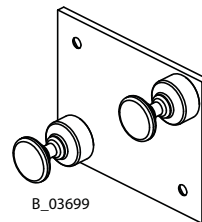
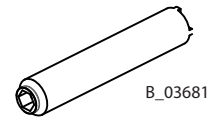
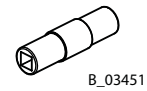
B_03225



B_03224



2309368	Assembly tool valve needle
128901	ACR nozzle spanner
2325263	Assembly tool clamping screw
2326485	GM 5000E wall mount (left/right)
2324766	Swivel for air
2327060	Fitting-SJM-GM5000EAC-1/4"NPS (swivel material)
2327061	GM 5000EAC swivel set



10 SPARE PARTS

10.1 HOW TO ORDER SPARE PARTS?

Always supply the following information to ensure delivery of the right spare part:

Part Number, description and quantity

The quantity need not be the same as the number given in the „Quantity“ column. This number merely indicates how many of the respective parts are used in each sub assembly.


The following information is also required to ensure smooth processing of your order:

- Address for the invoice
- Address for delivery
- Name of the person to be contacted in the event of any queries
- Type of delivery required (air freight or mail, sea route or overland route, etc.)

Marks in spare parts lists

Note to column „K“ in the following spare parts lists.

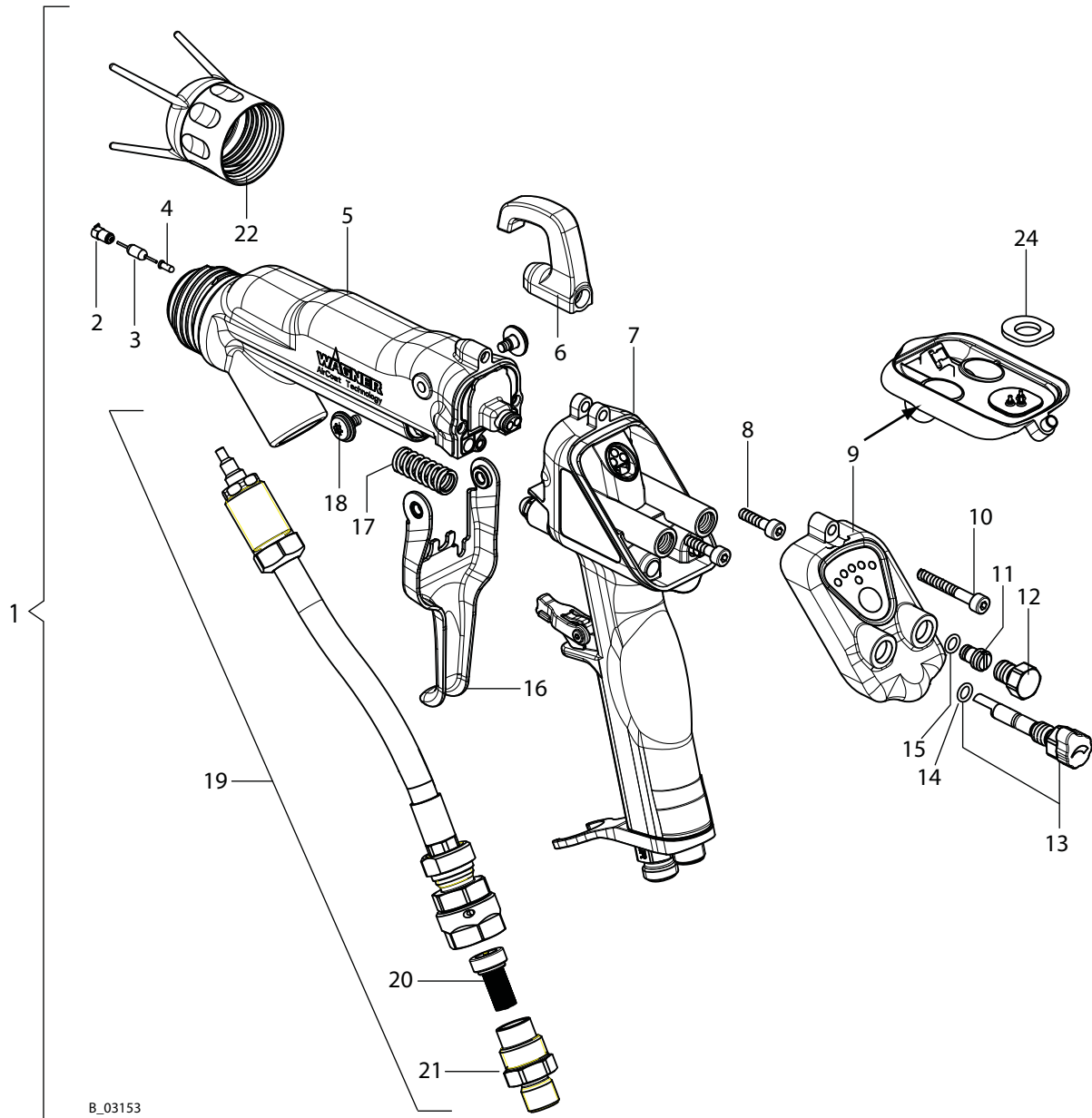
- ◆ = Wearing parts
Note: No liability is assumed for wearing parts
- = Not part of standard equipment, available, however, as additional extra.

	! WARNING
	<p>Incorrect maintenance/repair! Risk of injury and damage to the equipment</p> <p>→ Repairs and part replacement may only be carried out by specially trained staff or a WAGNER service center.</p> <p>→ Before all work on the unit and in the event of work interruptions:</p> <ul style="list-style-type: none"> - Switch off the energy/compressed air supply. - Relieve the pressure from the spray gun and unit. - Secure the spray gun against actuation. <p>→ Observe the operating instructions when carrying out all work.</p>

SIHI_0141_GB



10.2 GM 500EAC SPARE PARTS LIST

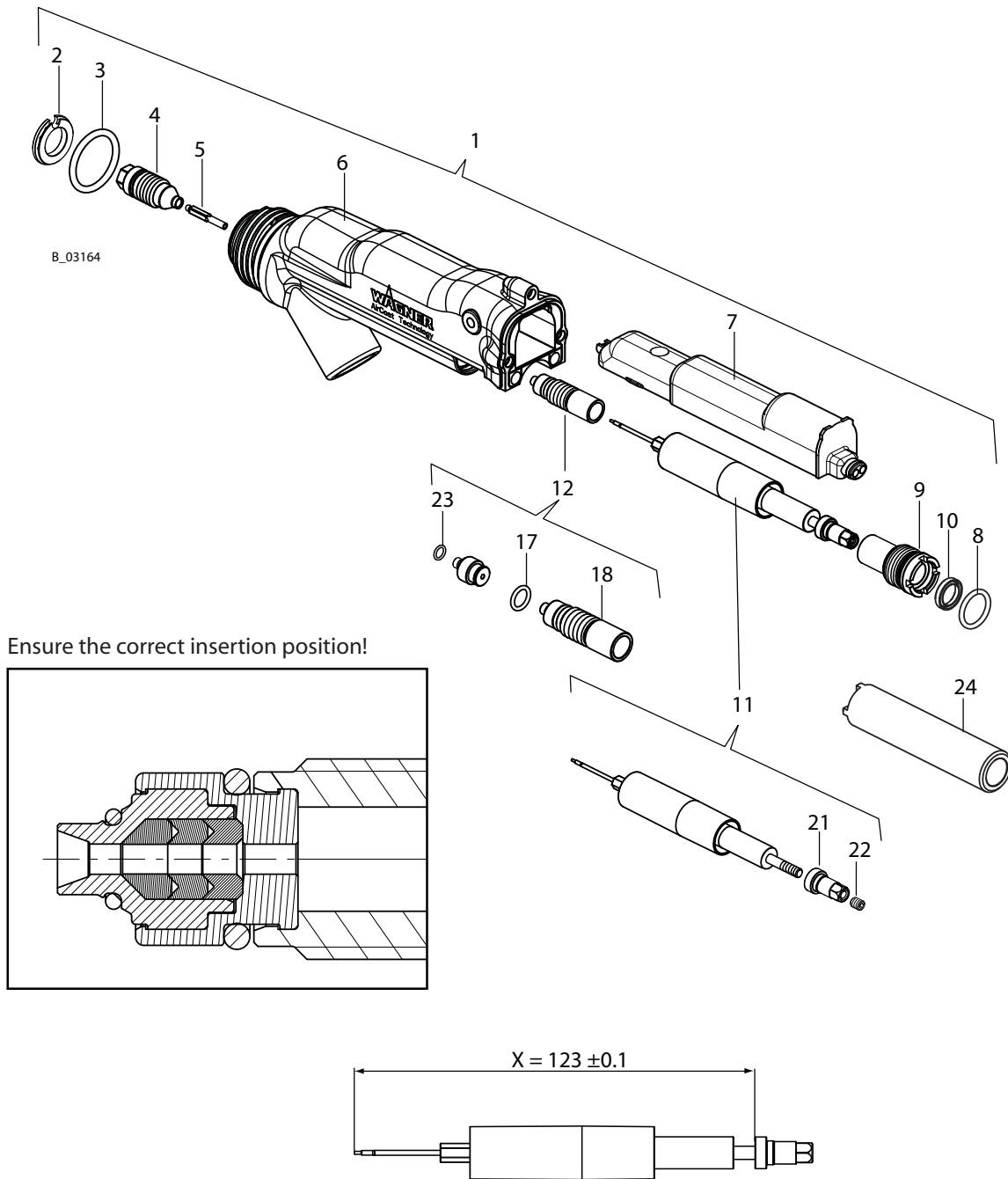


GM 5000EAC spare parts list				
Item	K	Quantity	Part No.	Description
1		1	2309871	GM 5000EAC standard variant
2	◆★	1	2314283	AC contacting
3	◆★	1	9952777	High resistance, bare
4		1	9960808	Socket contact component
5		1	-	GM 5000EAC end piece compl. Details see chapter 10.2.1
6	◆	1	2314361	Hook
7		1	-	GM 5000EAC handle compl. Details see chapter 10.2.2
8		2	9900308	Cheese head screw with hexagon
9		1	2312183	Cover compl.
10		1	9900386	Cheese head screw with hexagon
11		1	2311970	Sealing plug
12		1	2307104	Seal screw
13		1	2312180	Air regulation compl.
14	◆★	1	9971182	O-ring
15	◆★	1	9971182	O-ring
16	◆	1	2314360	Trigger
17		1	2307283	Cylindrical helical spring
18		2	2310617	Oval head screw with hexagon
19	◆	1	2314359	AC material hose compl.
20	◆	1	3204605	Edge filter 100 mesh (black) (for different edge filter sizes see chapter 9.3)
21		1	2308764	AC hose nipple
22		1	2315775	AC union nut compl.
24	◆★	1	2308699	Sealing Cover
	◆	1	2326336	GM 5000EAC service set

◆ = Wear part

★ = Included in service set'

10.2.1 GM 500EAC SPARE PARTS LIST- END PIECE

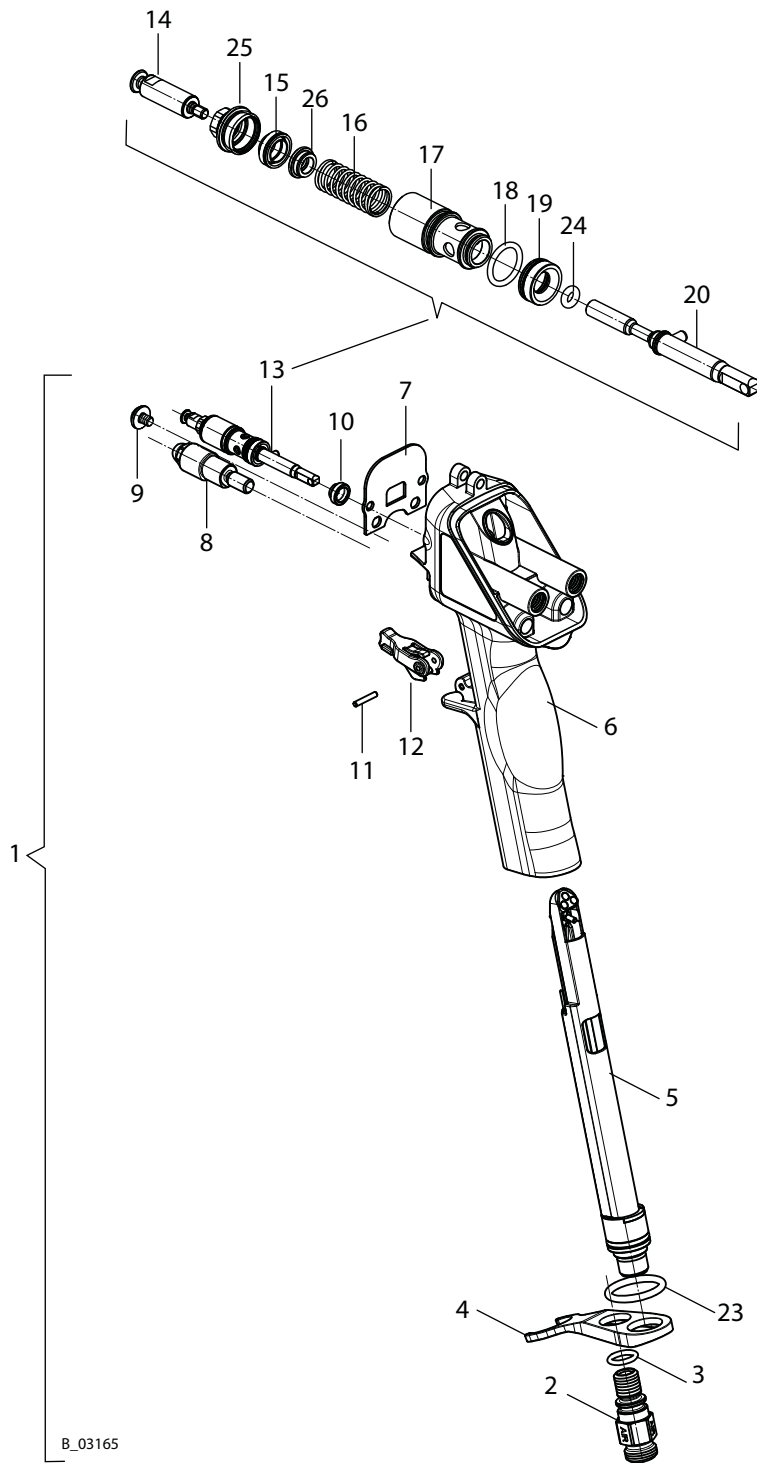


GM 5000EAC end piece spare parts list				
Item	K	Quantity	Part No.	Description
1		1	-	GM 5000EAC end piece compl.
2	★	1	2313314	AC air manifold ring
3	◆ ★	1	2307180	O-ring, sheathed
4	◆ ★	1	2312175	AC valve housing compl.
5	◆ ★	1	2312186	AC valve tip compl.
6		1	2314272	GM 5000EAC end piece
7		1	2312181	Cascade compl.
8	◆ ★	1	9974166	O-ring
9		1	2307062	Clamping screw valve rod
10	◆ ★	1	2311562	Rod seal
11	◆	1	2313639	AC valve rod unit
12	◆ ★	1	2312178	Package compl.
17	◆	1	2311624	O-ring
18		1	2307051	Clamping screw package
21		1	2307059	Withdrawal nut
22		1	9901411	Threaded pin with hexagon
23	◆	1	2320256	O-ring
24		1	2325263	Assembly tool clamping screw
		1	2326336	Service set GM 5000EAC

◆ = Wear part

★ = Included in service set

10.2.2 GM 500EAC SPARE PARTS LIST - HANDLE

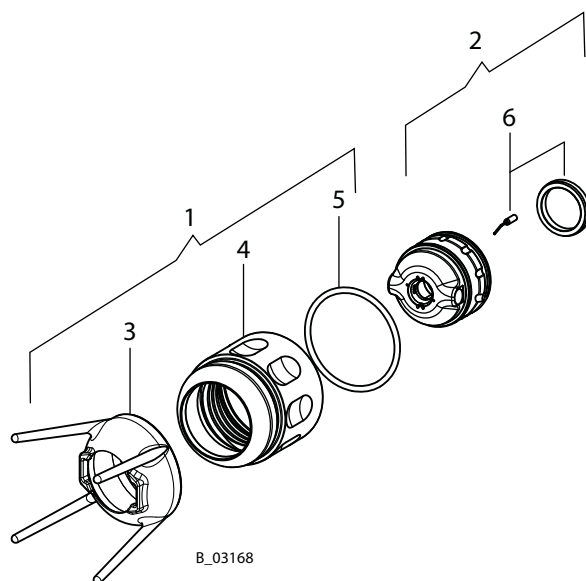


B_03165

GM 5000EAC handle spare parts list				
Item	K	Quantity	Part No.	Description
1		1	-	GM 5000EAC handle compl.
2		1	2307288	Nipple
3	◆★	1	9971025	O-ring
4		1	2315344	Hose holder
5		1	2312182	Plug compl.
6		1	2314270	Handle compl.
7	★	1	2307232	End piece seal
8		1	2311952	Stop screw
9		1	2309825	Oval head screw with hexagon
10	◆★	1	2310692	Seal
11		1	2311182	Straight pin
12		1	2309400	Safety catch
13		1	2312189	Air valve
14		1	2307935	Piston front
15	◆★	1	2307557	Seal
16		1	2312846	Cylindrical helical spring
17		1	2310680	Sleeve
18	◆★	1	9974218	O-ring
19	◆★	1	2310682	Seal
20		1	2316246	Piston compl.
23	◆★	1	9974166	O-ring
24	◆★	1	2303437	O-ring
25		1	2325291	Sealing nut
26		1	2325294	Air valve washer
		1	2326336	Service set GM 5000EAC

◆ = Wear part

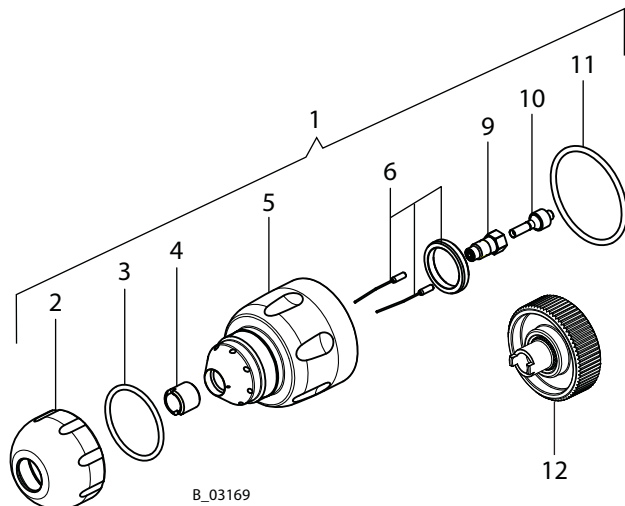
★ = Included in service set

10.3 ACCESSORIES SPARE PARTS LISTS**10.3.1 FLAT JET NOZZLES SPARE PARTS LIST**

Flat jet nozzles spare parts list				
Item	K	Quantity	Part No.	Description
1		1	2315775	AC union nut compl.
2		1	2309882	LV air cap compl.
2		1	2314203	HV air cap compl.
3	◆	1	2311777	AC nozzle guard
4	◆	1	2311776	AC union nut
5	◆	1	2311217	O-ring, sheathed
6	◆	1	2319525	Flat electrode set

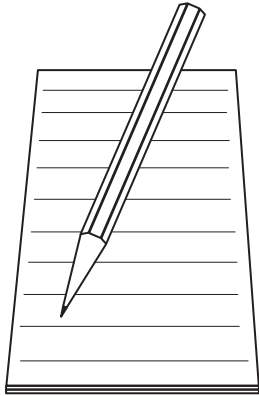
◆ = Wear part

10.3.2 ACR 5000 ROUND JET NOZZLE CAP SPARE PARTS LIST

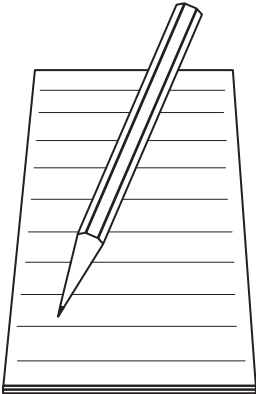


ACR 5000 round jet nozzle cap spare parts list				
Item	K	Quantity	Part No.	Description
1		1	2309883	ACR 5000 round jet nozzle cap
2		1	2307220	Nozzle nut
3	◆	1	2315310	O-ring
4	◆	1	132351	Nozzle screw connection holder
5		1	2307219	Nozzle body
6	◆	1	2319526	Round electrode set
9	◆	1	132516	Nozzle screwed connection compl.
10	◆	1	2307216	Sealing nipple
11	◆	1	2311217	O-ring
12		1	128901	Nozzle spanner compl.

◆ = Wear part



A series of horizontal lines for writing, starting from the top right and extending down the page. The lines are evenly spaced and cover most of the page's width.



A series of horizontal lines for writing notes, starting from the top right and extending down the page.

<p>Germany J. WAGNER GmbH Otto-Lilienthal-Str. 18 Postfach 1120 D- 88677 Markdorf Telephone: +49 7544 5050 Telefax: +49 7544 505200 E-Mail: service.standard@wagner-group.com</p>	<p>Switzerland J. WAGNER AG Industriestrasse 22 Postfach 663 CH- 9450 Altstätten Telephone: +41 (0)71 757 2211 Telefax: +41 (0)71 757 2222 E-Mail: rep-ch@wagner-group.ch</p>
<p>Belgium WSB Finishing Equipment Veilinglaan 56/58 B- 1861 Wolvenem Telephone: +32 (0)2 269 4675 Telefax: +32 (0)2 269 7845 E-Mail: info@wsb-wagner.be / HP www.wsb-wagner.eu</p>	<p>Denmark WAGNER Industrial Solution Scandinavia Viborgvej 100, Skærgær DK- 8600 Silkeborg Telephone: +45 70 200 245 Telefax: +45 86 856 027 E-Mail info@wagner-industri.com</p>
<p>United Kingdom WAGNER Spraytech (UK) Ltd. Haslemere Way Tramway Industrial Estate GB- Banbury, OXON OX16 8TY Telephone: +44 (0)1295 265 353 Telefax: +44 (0)1295 269861 E-Mail: enquiries@wagnerspraytech.co.uk</p>	<p>France J. WAGNER France S.A.R.L. Parc de Gutenberg - Bâtiment F8 8, Voie la Cardon F- 91127 Palaiseau-Cedex Telephone: +33 1 825 011 111 Telefax: +33 1691 946 55 E-Mail: division.solutionsindustrielles@wagner-france.fr</p>
<p>Netherlands WSB Finishing Equipment B.V. De Heldinnenlaan 200 NL- 3543 MB Utrecht Telephone: +31 (0) 30 241 4155 Telefax: +31 (0) 30 241 1787 E-Mail: info@wsb-wagner.nl / HP www.wsb-wagner.eu</p>	<p>Italy WAGNER COLORA S.r.l Via Fermi, 3 I- 20875 Burago di Molgora (MB) Telephone: +39 039 625021 Telefax: +39 039 6851800 E-Mail: info@wagnercolora.com</p>
<p>Japan WAGNER Spraytech Ltd. 2-35, Shinden Nishimachi J- Daito Shi, Osaka, 574-0057 Telephone: +81 (0) 720 874 3561 Telefax: +81/ (0) 720 874 3426 E-Mail: marketing@wagner-japan.co.jp</p>	<p>Austria J. WAGNER GmbH Otto-Lilienthal-Str. 18 Postfach 1120 D- 88677 Markdorf Telephone: +49 (0) 7544 5050 Telefax: +49 (0) 7544 505200 E-Mail: service.standard@wagner-group.com</p>
<p>Sweden WAGNER Industrial Solutions Scandinavia Skolgatan 61 SE- 568 31 Skillingaryd Telephone: +46 (0) 370 798 30 Telefax: +46 (0) 370 798 48 E-Mail: info@wagner-industri.com</p>	<p>Spain WAGNER Spraytech Iberica S.A. Ctra. N- 340, Km. 1245,4 E- 08750 Molins de Rei (Barcelona) Telephone: +34 (0) 93 680 0028 Telefax: +34 (0) 93 668 0156 E-Mail: info@wagnerspain.com</p>
<p>Czechoslovakia WAGNER s.r.o. Nedasovská Str. 345 15521 Praha 5 - Zlicin Telephone: +42 (0) 2 579 50 412 Telefax: +42 (0)2 579 51 052 E-Mail: info@wagner.cz</p>	<p>USA WAGNER Systems Inc. 300 Airport Road, unit 1 Elgin, IL 60123 USA Telephone: +1 630 503 2400 Telefax: +1 630 503 2377 E-Mail: info@wagnersystemsinc.com</p>

WAGNER



Order number 2319150

Germany

J.WAGNER GmbH
Otto-Lilienthal-Str. 18
Postfach 1120
D- 88677 **Markdorf**
Telephone ++49/ (0)7544 / 5050
Telefax ++49/ (0)7544 / 505200
E-Mail: service.standard@wagner-group.com

Switzerland

J.WAGNER AG
Industriestrasse 22
Postfach 663
CH- 9450 **Altstätten**
Telephone ++41/ (0)71 / 757 2211
Telefax ++41/ (0)71 / 757 2222
E-Mail: rep-ch@wagner-group.ch

www.wagner-group.com