



TITAN®

OPERATING MANUAL

PowrCoat™ Series

AIR POWERED AIRLESS SPRAYER

MIT DRUCKLUFT BETRIEBENES
AIRLESS-SPRITZGERÄT

PULVÉRISATEUR SANS AIR
PNEUMATIQUE

- GB -	OPERATING MANUAL	2
- D -	BETRIEBSANLEITUNG	22
- F -	MODE D'EMPLOI	44

Models:

05331045C

05331064C

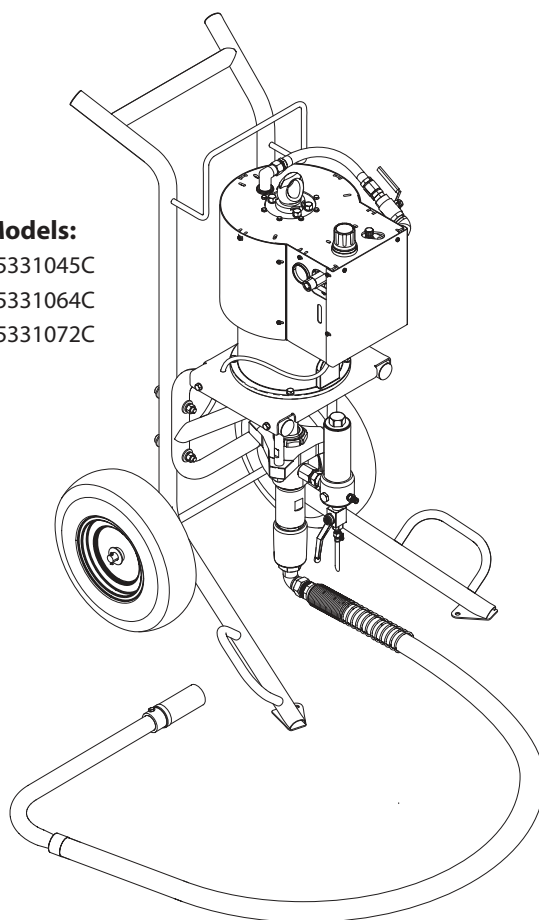
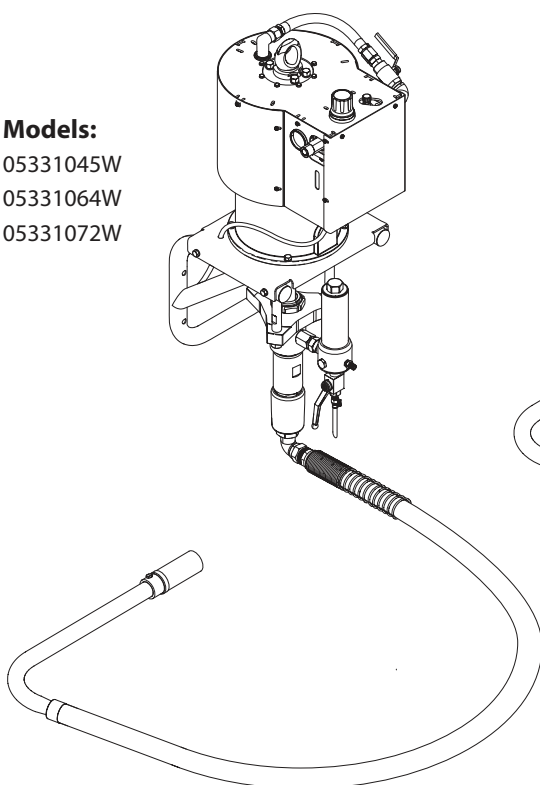
05331072C

Models:

05331045W

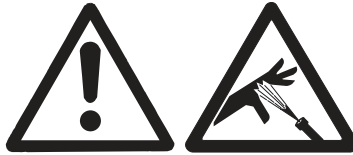
05331064W

05331072W



Warning!

Attention: Danger of injury by injection!
Airless units develop extremely high spraying pressures.



1

Never put your fingers, hands or any other parts of the body into the spray jet!

Never point the spray gun at yourself, other persons or animals.

Never use the spray gun without safety guard.

Do not treat a spraying injury as a harmless cut. In case of injury to the skin through coating materials or solvents, consult a doctor immediately for quick and expert treatment. Inform the doctor about the coating material or solvent used.

2

The operating instructions state that the following points must always be observed before starting up:

1. Faulty units must not be used.
2. Secure Titan spray gun using the safety catch on the trigger.
3. Ensure that the unit is properly grounded / earthed.
4. Check allowable operating pressure of high-pressure hose and spray gun.
5. Check all connections for leaks.

3

The instructions regarding regular cleaning and maintenance of the unit must be strictly observed.

Before any work is done on the unit or for every break in work the following rules must be observed:

1. Release the pressure from spray gun and hose.
2. Secure the Titan spray gun using the safety catch on the trigger.
3. Switch off unit.

Be safety conscious!








Contents

	Page		Page
1. Safety regulations for Airless spraying	2	6. Maintenance	13
1.1 Explanation of symbols used	2	6.1 Daily maintenance.....	13
1.2 Compressor safety	3	6.2 Maintaining the filter assembly.....	14
1.3 Setting up on uneven surfaces.....	4	6.3 Maintaining the air motor.....	15
1.4 Freezing Parts	4	6.4 Maintaining the fluid pump	15
2. General view of application	5	7. Troubleshooting	15
2.1 Application	5	7.1 Spray gun	15
2.2 Coating materials	5	7.2 Air motor	15
3. Description of unit	5	7.3 Spray patterns	16
3.1 Airless process.....	5	7.4 Fluid pump	17
3.2 Functioning of the unit	5	8. Servicing	18
3.3 System diagram	6	8.1 Servicing the air motor.....	18
3.4 Technical data for PowrCoat units	7	8.2 Servicing the pump assembly	20
4. Operation	8	Accessories and spare parts	66
4.1 Setup.....	8	Spare parts list for the main assembly.....	66/67
4.2 Automatic lubricator	9	Spare parts list for the wall mount assembly	68/69
4.3 Preparing a new sprayer.....	9	Spare parts list for the upper housing assembly	70/71
4.4 Preparing to spray.....	10	Spare parts list for the air motor	72/73
4.5 Spraying.....	10	Spare parts list for the fluid pump assembly	74/75
4.6 Pressure relief procedure	11	Spare parts list for automatic filter, regulator, lubricator assembly.....	76/77
4.7 Cleaning a clogged tip	11	Spare parts list for the high-pressure filter	78/79
5. Cleanup	12	Spare parts list for the cart assembly	80/81
5.1 Special cleanup instructions for use with flammable solvents	12	Warranty	81
5.2 Cleaning the sprayer	12		
5.3 Cleaning the air filter.....	13		

1. Safety regulations for Airless spraying

1.1 Explanation of symbols used

This manual contains information that must be read and understood before using the equipment. When you come to an area that has one of the following symbols, pay particular attention and make certain to heed the safeguard.

	This symbol indicates a potential hazard that may cause serious injury or loss of life. Important safety information will follow.
	This symbol indicates a potential hazard to you or to the equipment. Important information that tells how to prevent damage to the equipment or how to avoid causes of minor injuries will follow.
	Danger of skin injection
	Danger of fire from solvent and paint fumes
	Danger of explosion from solvent, paint fumes and incompatible materials
	Danger of injury from inhalation of harmful vapors
	Notes give important information which should be given special attention.



HAZARD: INJECTION INJURY

A high pressure stream produced by this equipment can pierce the skin and underlying tissues, leading to serious injury and possible amputation.

Do not treat a spraying injury as a harmless cut. In case of injury to the skin through coating materials or solvents, consult a doctor immediately for quick and expert treatment. Inform the doctor about the coating material or solvent used.

PREVENTION:

- NEVER aim the gun at any part of the body.
- NEVER allow any part of the body to touch the fluid stream. DO NOT allow body to touch a leak in the fluid hose.
- NEVER put your hand in front of the gun. Gloves will not provide protection against an injection injury.
- ALWAYS lock the gun trigger, shut the fluid pump off and release all pressure before servicing, cleaning the tip guard, changing tips, or leaving unattended. Pressure will not be released by turning off the compressor. The PRIME/SPRAY valve or pressure bleed valve must be turned to their appropriate positions to relieve system pressure.
- ALWAYS keep tip guard in place while spraying. The tip guard provides some protection but is mainly a warning device.
- ALWAYS remove the spray tip before flushing or cleaning the system.
- NEVER use a spray gun without a working trigger lock and trigger guard in place.
- All accessories must be rated at or above the maximum operating pressure range of the sprayer. This includes spray tips, guns, extensions, and hose.



HAZARD: HIGH PRESSURE HOSE

The paint hose can develop leaks from wear, kinking and abuse. A leak can inject material into the skin. Inspect the hose before each use.

PREVENTION:

- Avoid sharp bending or kinking of the high-pressure hose. The smallest bending radius amounts to about 20 cm.
- Do not drive over the high-pressure hose. Protect against sharp objects and edges.
- Replace any damaged high-pressure hose immediately.
- Never repair defective high-pressure hoses yourself!
- Electrostatic charging of spray guns and the high-pressure hose is discharged through the high-pressure hose. For this reason the electric resistance between the connections of the high-pressure hose must be equal to or lower than 1MΩ.
- For reasons of function, safety and durability use only original Titan high-pressure hoses.
- Before each use, check all hoses for cuts, leaks, abrasion or bulging of cover. Check for damage or movement of couplings. Immediately replace the hose if any of these conditions exist. Never repair a paint hose. Replace it with another earthed high-pressure hose.
- Make sure power cord, air hose and spray hoses are routed in such a manner to minimize slip, trip and fall hazard.

**HAZARD: EXPLOSION OR FIRE**

Flammable vapors, such as solvent and paint vapors, in work area can ignite or explode.

PREVENTION:

- Use equipment only in well ventilated area. Keep a good supply of fresh air moving through the area to keep the air within the spray area free from accumulation of flammable vapors. Keep pump assembly in well ventilated area. Do not spray pump assembly.
- Eliminate all ignition sources, such as pilot lights, cigarettes, portable electric lamps and plastic drop cloths (potential static arc).
- Keep work area free of debris, including solvent, rags and gasoline.
- Do not plug or unplug power cords, or turn power or light switches on or off when flammable vapors are present.
- Ground equipment and conductive objects in work area. Make sure the grounding cable is connected from the grounding lug to a true earth ground.
- Use only grounded hoses.
- Hold spray gun firmly to the side of a grounded pail when triggering into pail.
- If there is static sparking or if you feel a shock, **stop operation immediately**.
- Know the contents of the paint and solvents being sprayed. Read all Material Safety Data Sheets (MSDS) and container labels provided with the paints and solvents. Follow the paint and solvent manufacturer's safety instructions.
- Do not use a paint or solvent containing halogenated hydrocarbons. Such as chlorine, bleach mildewcide, methylene chloride and trichloroethane. They are not compatible with aluminum. Contact the coating supplier about compatibility of material with aluminum.
- Keep a fire extinguisher in work area.

**HAZARD: HAZARDOUS VAPORS**

Paints, solvents, and other materials can be harmful if inhaled or come in contact with body. Vapors can cause severe nausea, fainting, or poisoning.

PREVENTION:

- Wear respiratory protection when spraying. Read all instructions supplied with the mask to be sure it will provide the necessary protection.
- All local regulations regarding protection against hazardous vapors must be observed.
- Wear protective eyewear.
- Protective clothing, gloves and possibly skin protection cream are necessary for the protection of the skin. Observe the regulations of the manufacturer concerning coating materials, solvents and cleaning agents in preparation, processing and cleaning units.

**HAZARD: GENERAL**

This product can cause severe injury or property damage.

PREVENTION:

- Follow all appropriate local, state, and national codes governing ventilation, fire prevention, and operation.
- Pulling the trigger causes a recoil force to the hand that is holding the spray gun. The recoil force of the spray gun is particularly powerful when the tip has been removed and a high pressure has been set on the airless pump. When cleaning without a spray tip, set the pressure control knob to the lowest pressure.
- Use only manufacturer authorized parts. User assumes all risks and liabilities when using parts that do not meet the minimum specifications and safety devices of the pump manufacturer.
- ALWAYS follow the material manufacturer's instructions for safe handling of paint and solvents.
- Clean up all material and solvent spills immediately to prevent slip hazard.
- Wear ear protection. This unit can produce noise levels above 85 dB(A).
- Never leave this equipment unattended. Keep away from children or anyone not familiar with the operation of airless equipment.
- Device weighs in excess of 36 kg. Three-person lift is required.
- Do not spray on windy days.
- The device and all related liquids (i.e. hydraulic oil) must be disposed of in an environmentally friendly way.

1.2 Compressor Safety

PowrCoat units are Air-Powered (powered by an air compressor). Follow all safety precautions given by the compressor manufacturer regarding electrical and general safety.

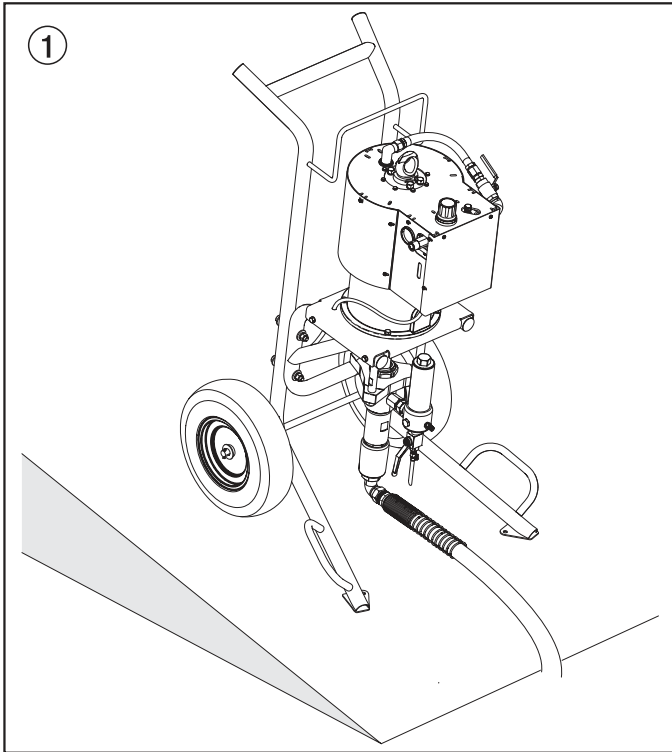
Locate the compressor outside the immediate spraying area to avoid clogged air intake of the compressor with overspray.



If lacquer or other flammable materials are to be sprayed, ALWAYS locate the compressor outside the immediate spraying area. Failure to do so may cause an explosion.

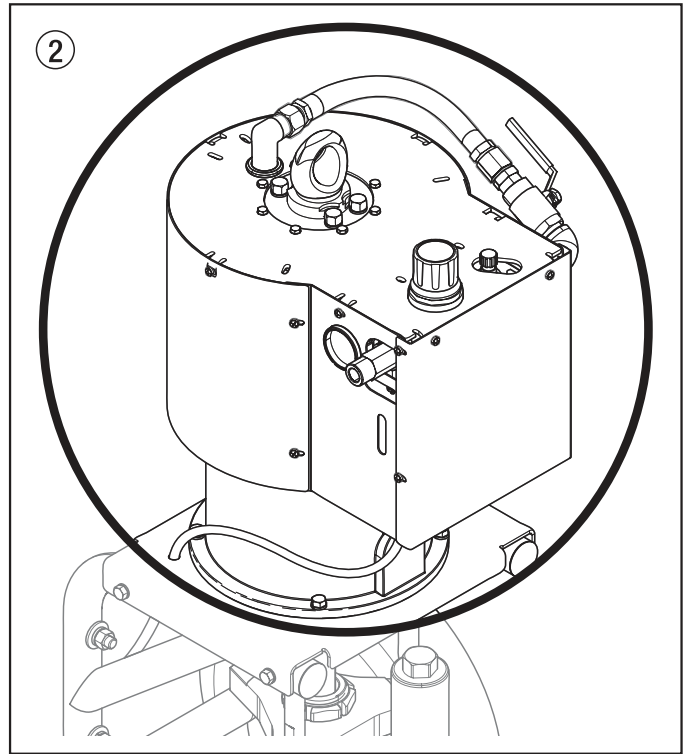
1.3 Setting up on uneven surfaces

The front side of the unit must point downwards to prevent sliding away.



1.4 Freezing Parts

The temperature of some components of the unit can drop below 32° F (0° C) during usage, and may show a build-up of frost. Refer to the diagram below for the area of the pump most likely to reach freezing temperatures. Avoid touching any components in this area during usage.



Operating Temperature

This equipment will operate correctly in its intended ambient, at a minimum between +50°F (+10°C) and +104°F (+40°C).

Relative Humidity

The equipment will operate correctly within an environment at 50% RH, +104°F (+40°C). Higher RH may be allowed at lower temperatures.

Measures shall be taken by the Purchaser to avoid the harmful effects of occasional condensation.

Altitude

This equipment will operate correctly up to 2100 m above mean sea level.

Transportation and Storage

This equipment will withstand, or has been protected against, transportation and storage temperatures of -13°F (-25°C) to 131°F (+55°C) and for short periods up to 158°F (+70°C).

It has been packaged to prevent damage from the effects of normal humidity, vibration and shock.

2. General view of application

2.1 Application

Priming and final coating of large areas, sealing, impregnation, construction sanitation, façade protection and renovation, rust protection and building protection, roof coating, roof sealing, concrete sanitation, as well as heavy corrosion protection.

Examples of objects to be sprayed

Large-scale construction sites, underground construction, cooling towers, bridges, sewage treatment plants and terraces.

2.2 Coating materials

Processible coating materials



Pay attention to the Airless quality of the coating materials to be processed.

Latex paint, dispersion paints, fire protection and thick film materials, zinc dust and micaceous iron ore paints, airless spray primer, sprayable glue, anti-corrosive agents, thick coating materials and bitumen-like coating materials.

No other materials should be used for spraying without Titan's approval.

Filtering

In spite of the high-pressure filter, filtering of the coating material is to be recommended in general (except when processing airless joint filler).

Stir coating material before commencement of work.



Make sure when stirring with motor-driven agitators that no air bubbles are stirred in. Air bubbles disturb when spraying and can, in fact, lead to interruption of operation.

Viscosity

It is possible to work with high-viscosity coating materials with these devices.

If highly viscous coating materials cannot be sucked up, they must be diluted in accordance with the manufacturer's instruction.

Two-component coating material

The appropriate processing time must be adhered to exactly. Within this time rinse through and clean the unit meticulously with the appropriate cleaning agents.

Coating materials with sharp-edged additional materials

These have a strong wear and tear effect on valves, high-pressure hose, spray gun and tip. The durability of these parts can be reduced appreciably through this.

3. Description of unit

3.1 Air Powered / Airless

An **Airless** piston pump takes in coating material by suction. The pneumatic piston pump is powered by compressed air provided by an outside air compressor (**Air-Powered**).

Cycling of the piston pump moves the material through the pump and down the fluid hose to the spray gun. Pressed through the tip at very high pressure, the coating material is atomized into fine particles.

This method of spraying has the advantages of finest atomization, cloudless operation and a smooth, bubble-free surface. As well as these, the advantages of the speed of work and convenience must be mentioned.

3.2 Functioning of the unit

The following section contains a brief description of the technical construction for better understanding of the function.

TITAN PowrCoat are high-pressure spraying units driven by air power provided by an air compressor.

An air compressor connected by an air hose drives the air motor (1) which then moves the piston up and down in the material feed pump (2), drawing up spray material via the siphon hose (3).

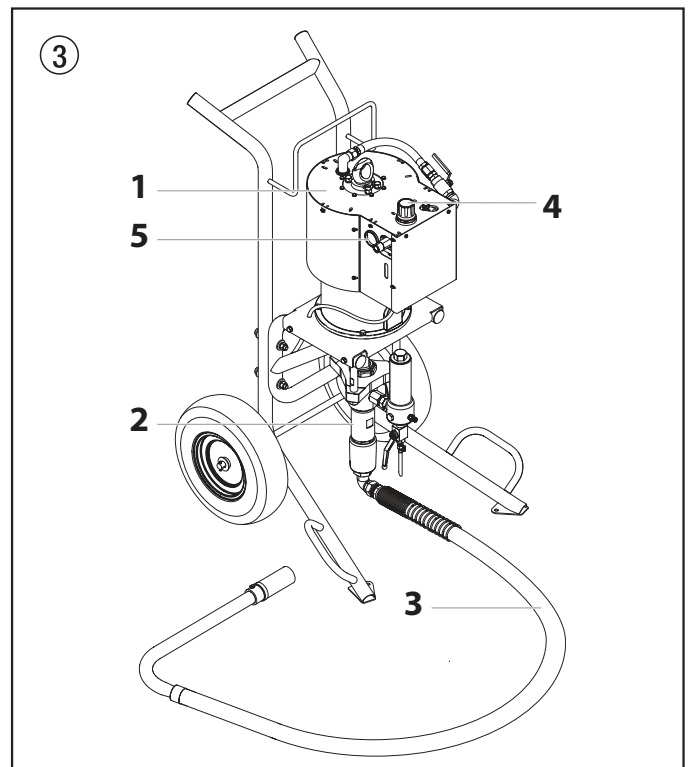
The air regulator (4) controls the air pressure being allowed into the system, and is directly proportionate to the fluid pressure being produced.

Example: PowrCoat 1045 = 45:1

100 PSI reading at air gauge (5) = 4500 PSI at pump outlet

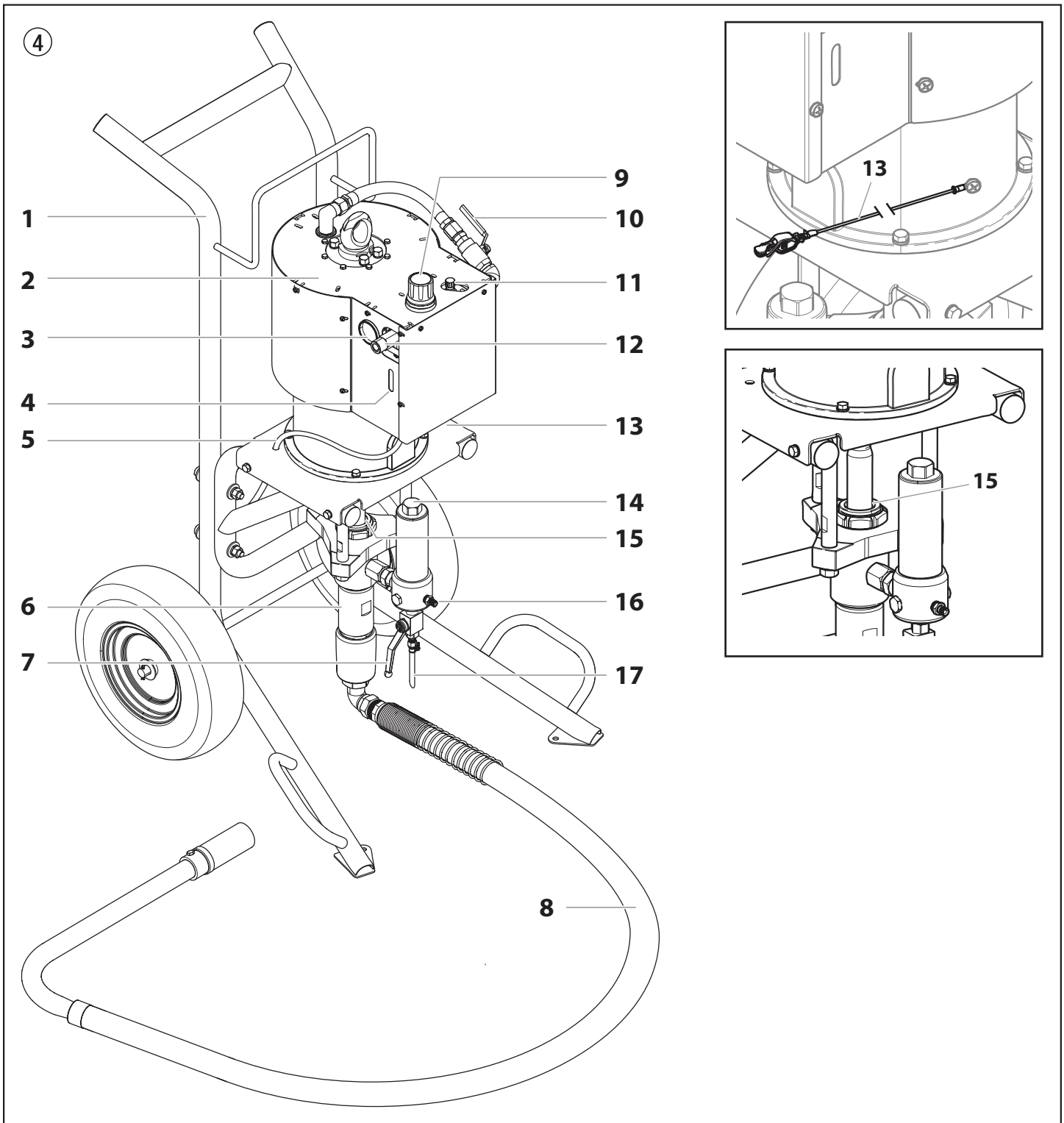
The inlet valve is opened automatically by the upwards movement of the piston. The outlet valve is opened when the piston moves downward.

Coating material flows under high pressure through the high-pressure hose to the spray gun. When the coating material exits from the tip it atomises.



3.3 System diagram

- | | | |
|------------------------------------|------------------------------------|-----------------------------|
| 1 Cart assembly (cart models only) | 7 Pressure bleed valve | 13 Grounding cable |
| 2 Air motor | 8 Siphon tube | 14 Filter assembly |
| 3 Air pressure gauge | 9 Air regulator | 15 Oil cup for Piston Lube™ |
| 4 Air filter / moisture separator | 10 Vented shutoff valve | 16 Gun hose connection |
| 5 Moisture drip tube | 11 Automatic lubricator adjustment | 17 Bleed hose |
| 6 Fluid pump | 12 Air hose connection | |



**3.4 Technical data for PowrCoat units**

	PowrCoat 1045	PowrCoat 1064	PowrCoat 1072
Model Number			
Cart	05331045C	05331064C	05331072C
Wall	05331045W	05331064W	05331072W
Pressure Ratio			
	45:1	64:1	72:1
Max. operating pressure			
	4500 PSI (310 bar)	6400 PSI (441 bar)	7200 PSI (496 bar)
Max. air inlet pressure			
	100 PSI (6.9 bar)	100 PSI (6.9 bar)	100 PSI (6.9 bar)
Cycle rate per gallon / liter			
	15 / 3.9	20 / 5.3	22.5 / 5.9
Volume per double stroke			
	253.8 cc (15.5 in ³)	188.5 cc (11.5 in ³)	167.1 cc (10.2 in ³)
Max. volume flow @ Cycles per minute (CPM)			
60 CPM	4.02 gal (15.22 l)/min	2.98 gal (11.28 l)/min	2.66 gal (10.07 l)/min
90 CPM	6.03 gal (22.83 l)/min	4.72 gal (17.87 l)/min	3.99 gal (15.10 l)/min
Fluid inlet / outlet			
Inlet	3/4" NPT (F)	3/4" NPT (F)	3/4" NPT (F)
Outlet	3/4" NPT (F)	3/4" NPT (F)	3/4" NPT (F)
Hose connection			
	3/8" NPSM (M)	3/8" NPSM (M)	3/8" NPSM (M)
Approximate air requirement (SCFM) per gallon of output @ 100 PSI (6.9 bar) air pressure			
	43 SCFM (1.22 m ³ /min)	57.7 SCFM (1.63 m ³ /min)	64.9 SCFM (1.84 m ³ /min)
Air inlet			
	3/4" NPT (M)	3/4" NPT (M)	3/4" NPT (M)
Max. sound pressure level			
	98 dB*	98 dB*	98 dB*
Weight			
Cart	195 lbs (88.4 kg)	193 lbs (87.5 kg)	194 lbs (88.0 kg)
Wall	154 lbs (69.8 kg)	152 lbs (68.9 kg)	153 lbs (69.4 kg)
Max. viscosity			
	50.000 mPa-s	50.000 mPa-s	50.000 mPa-s
Dimensions L x W x H			
Cart	33.5" x 31.35" x 539.9" (85.09 cm x 79.63 cm x 136.90 cm)	33.5" x 31.35" x 539.9" (85.09 cm x 79.63 cm x 136.90 cm)	33.5" x 31.35" x 539.9" (85.09 cm x 79.63 cm x 136.90 cm)
Wall	19.3" x 16.08" x 46.76" (49.02 cm x 40.84 cm x 118.77 cm)	19.3" x 16.08" x 46.76" (49.02 cm x 40.84 cm x 118.77 cm)	19.3" x 16.08" x 46.76" (49.02 cm x 40.84 cm x 118.77 cm)
Max. temperature of pre-heated coating material			
	160° F (71° C)	160° F (71° C)	160° F (71° C)
Filter insert (standard equipment)			
	60 mesh, 97 cm ² (15 ln ²)	60 mesh, 97 cm ² (15 ln ²)	60 mesh, 97 cm ² (15 ln ²)

* Place of measurement: 1 m distance from unit and 1.60 m above reverberant floor, 120 bar (12 MPa) operating pressure.

4. Operation



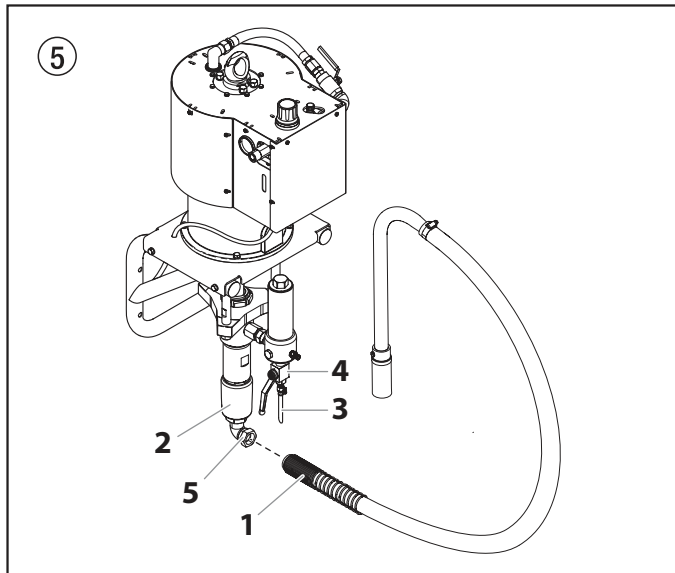
This equipment produces a fluid stream at extremely high pressure. Read and understand the warnings in the Safety Precautions section at the front of this manual before operating this equipment.

4.1 Setup

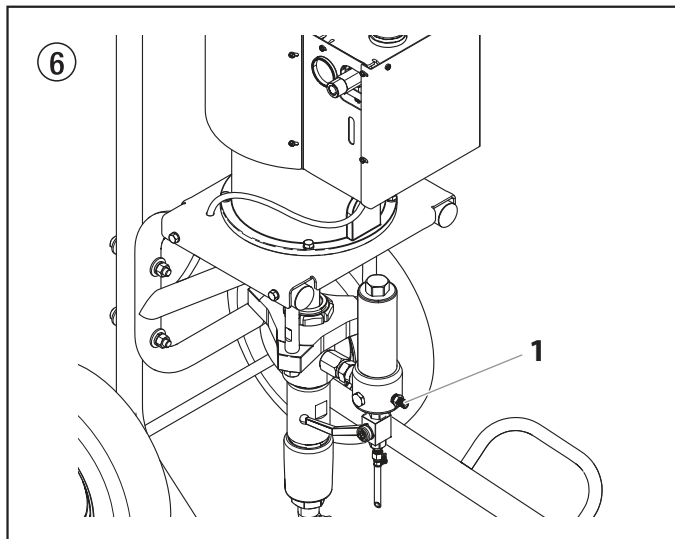
1. Make sure the siphon hose (fig. 5, 1) is connected to the fluid section (2) and the bleed hose (3) is connected to the bleed valve (4). They each have factory installed PTFE tape on the male end of the hoses and should be wrench tight.



To orient the siphon hose, loosen the swivel (5) and orient the siphon tube to the desired location.



2. Lock the gun by flipping the trigger lock into lock position (see spray gun manual).
3. Using a wrench, attach a minimum of 50' of 3/8" nylon airless spray hose to the material outlet fitting (fig. 6, item 1) on the pump. Tighten securely.



4. Fill the oil cup 1/2 full with Piston Lube (P/N 314-480). This extends packing life.



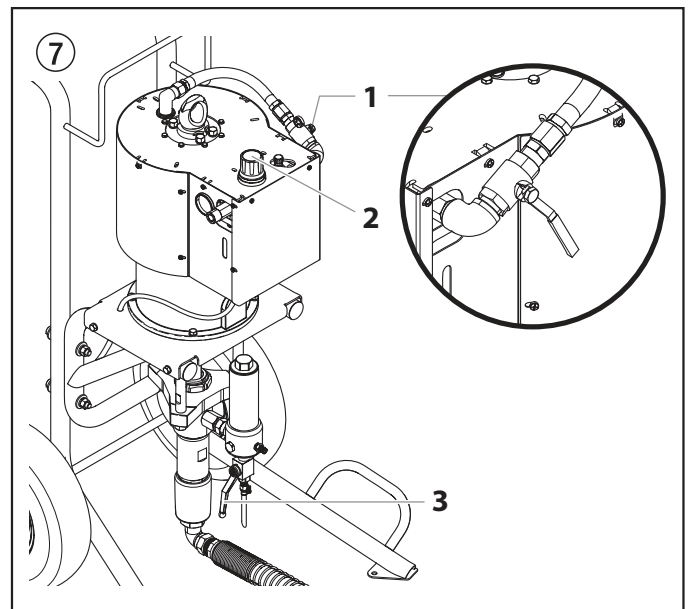
Piston Lube prevents increased wear and tear to the packings.

5. Verify that the air compressor meets the power requirements necessary to effectively power the sprayer. See "Technical Data", section 3.4 to determine air requirements.

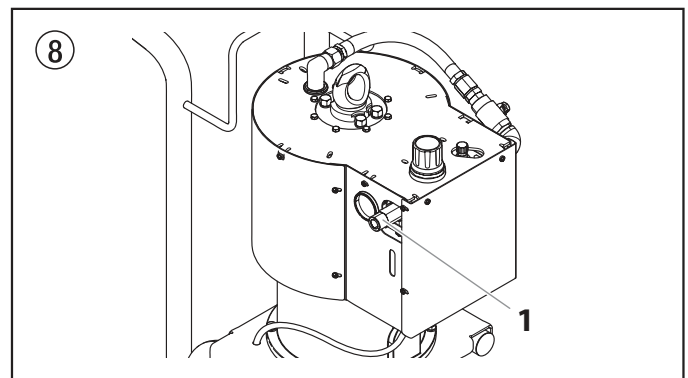


The requirements will vary on each model.

6. Prior to connecting the compressor to the unit, perform the following in order to prevent accidental startup:
 - a. Close the shutoff valve (fig 7, item 1). The figure shows the handle in the closed position.
 - b. Turn the air regulator (2) fully counterclockwise to its lowest pressure setting.
 - c. Open the bleed valve (3) by turning it fully counterclockwise. The bleed valve handle should be pointing down.

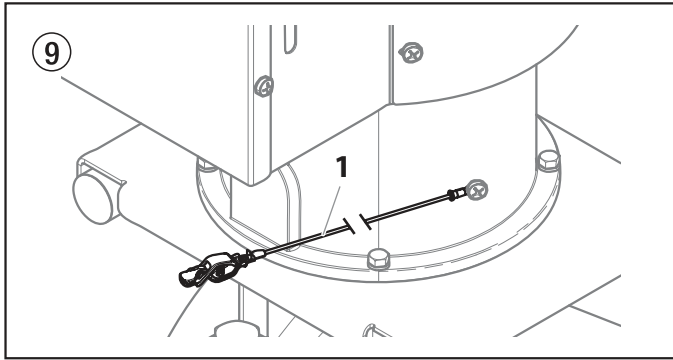


7. Remove the red plug from the air hose fitting (Fig. 8, item 1). Attach the air hose and tighten wrench tight. All units are equipped with a 3/4" NPT (M) nipple.



Proper earthing (grounding) is important. The passage of some materials through the nylon fluid hose will build up a static electric charge, which if discharged, could ignite solvent vapors present and create an explosion.

8. Make sure the sprayer is earthed (grounded). All sprayers are equipped with a earthing (grounding) cable (1). Clip the end of the grounding cable to a true earth ground.



9. Strain all paints with a nylon strainer to ensure trouble free operation and freedom from frequent cleaning of the inlet screen and gun filter.
10. Make sure the spray area is well ventilated to prevent hazardous operation with volatile solvents or exhaust fumes.



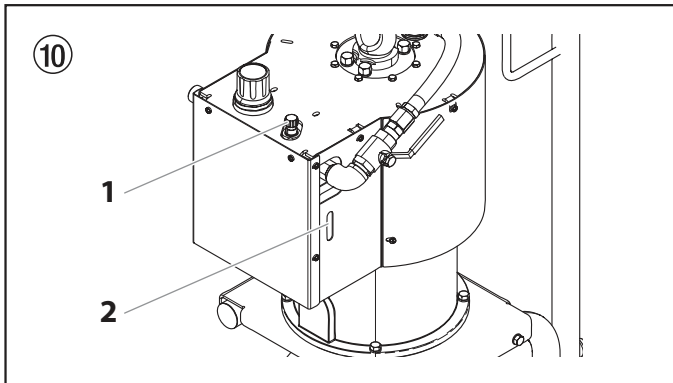
If lacquer or other flammable materials are to be sprayed, ALWAYS locate the compressor outside the immediate spraying area. Failure to do so may cause an explosion.

11. Locate the compressor outside the immediate spraying area to avoid clogged air intake of the compressor with overspray.

4.2 Automatic Lubricator

The automatic lubricator (Fig. 10, item 1) provides lubrication to the air that is being delivered to the system. It is set at the factory for the correct injection rate and should not be adjusted until the reservoir needs to be refilled with AirCare™ lubricant. Check the level through the openings (2) in the side of the air motor shroud.

After refilling the reservoir, the automatic lubricator will need adjusting. Turn the adjusting screw (1) clockwise to increase the AirCare™ injection rate and counterclockwise to decrease it.



Check the injection rate by observing the flow through the openings in the side of the air motor shroud.

- The proper flow rate is 1 drop of AirCare™ per minute.
- In humid weather when icing may occur, increase the injection rate.
- The injection rate comes pre-set to 1 drop / 30 sec.

4.3 Preparing a New Sprayer

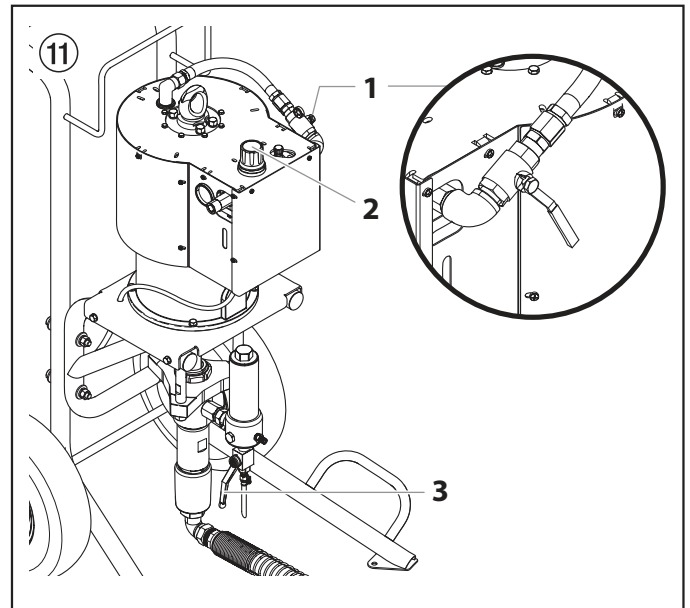
If this unit is new, it is shipped with test fluid in the fluid section to prevent corrosion during shipment and storage. This fluid must be thoroughly cleaned out of the system with cleaning agent before you begin spraying.



Attention

Always keep the trigger lock on the spray gun in the locked position while preparing the system.

1. Place the siphon tube into a container of mineral spirits.
2. Place a metal container under the bleed hose.
3. Close the shutoff valve (fig. 11, item 1). The figure shows the handle in the closed position.
4. Turn on the air compressor.
5. Turn the air regulator (2) fully counterclockwise to its lowest pressure setting.
6. Open the bleed valve (3) by turning it fully counterclockwise. The bleed valve handle should be pointing down.



7. Open the shutoff valve (1). The handle should now be in line with the valve.
8. Turn the air regulator (2) clockwise to increase pressure until the sprayer cycles evenly and solvent flows freely from the bleed hose.
9. Allow the sprayer to run for 15–30 seconds to flush the test fluid out through the bleed hose and into the waste container.
10. Turn off the sprayer.
 - a. Turn the air regulator fully counterclockwise to its lowest pressure setting.
 - b. Close the shutoff valve.

4.4 Preparing to Spray

Before spraying, it is important to make sure that the fluid in the system is compatible with the paint that is going to be used.



Incompatible fluids and paint may cause the valves to become stuck closed, which would require disassembly and cleaning of the sprayer's fluid section.



Attention

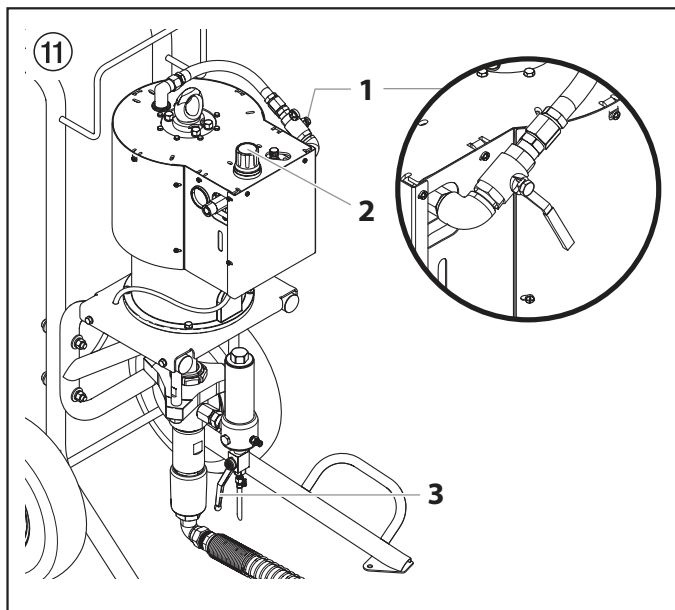
Always keep the trigger lock on the spray gun in the locked position while preparing the system.

1. Place the siphon tube into a container of the appropriate solvent for the material being sprayed.



If you are spraying a water-based latex, flush with warm, clean water. If you are using any other material, check with the material manufacturer for a compatible solvent.

2. Place a metal container under the bleed hose.
3. Close the shutoff valve (fig. 11, item 1). The figure shows the handle in the closed position.
4. Turn on the air compressor.
5. Turn the air regulator (2) fully counterclockwise to its lowest pressure setting.
6. Open the bleed valve (3) by turning it fully counterclockwise. The bleed valve handle should be pointing down.



7. Open the shutoff valve (1). The handle should now be in line with the valve.
8. Turn the air regulator (2) clockwise to increase pressure until the sprayer cycles evenly and solvent flows freely from the bleed hose.
9. Allow the sprayer to run for 15–30 seconds to flush the test fluid out through the bleed hose and into the waste container.
10. Turn off the sprayer.
 - a. Turn the air regulator fully counterclockwise to its lowest pressure setting.
 - b. Close the shutoff valve.



Make sure that the spray gun does not have a tip or tip guard installed.

11. Close the bleed valve by turning it fully clockwise. The bleed valve handle should be horizontal.
12. Open the shutoff valve (1). The handle should now be in line with the valve. The system is now under pressure.
13. Turn the air regulator clockwise to increase pressure until the sprayer cycles evenly. The air regulator gauge should read between 60-80 PSI (4 - 5.5 bar).

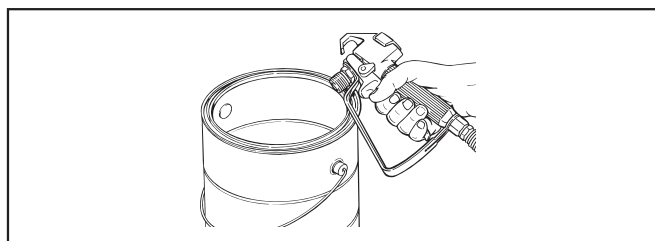


The air regulator can be locked into place by pushing down on the knob. Unlock the regulator by pulling the knob out.

14. Unlock the gun by turning the gun trigger lock to the unlocked position.



Ground / Earth the gun by holding it against the edge of the metal container while flushing. Failure to do so may lead to a static electric discharge, which may cause a fire.



15. Trigger the gun into the metal waste container until the old solvent is gone and fresh solvent is coming out of the gun.
16. Lock the gun by turning the gun trigger lock to the locked position.



POSSIBLE INJECTION HAZARD

Refer to your spray gun manual for information regarding the locking mechanism and how to properly lock the spray gun.

17. Set down the gun and increase the pressure by turning the air regulator slowly clockwise to a maximum of 100 PSI (6.9 bar).



DO NOT exceed an air regulator gauge reading of 100 PSI (6.9 bar).

18. Check the entire system for leaks. If leaks occur, turn the sprayer off and follow the "Pressure Relief Procedure" in this manual before tightening any fittings or hoses.
19. Follow the "Pressure Relief Procedure" (section 4.6) in this manual before changing from solvent to paint.



Be sure to follow the Pressure Relief Procedure when shutting the unit down for any purpose, including servicing or adjusting any part of the spray system, changing or cleaning spray tips, or preparing for cleanup.

4.5 Spraying

1. Place the siphon hose into a container of paint.
2. Place the bleed hose into a metal waste container.
3. Close the shutoff valve (fig. 11, item 1). The figure shows the handle in the closed position.
4. Turn on the air compressor.
5. Turn the air regulator (2) fully counterclockwise to its lowest pressure setting.

6. Open the bleed valve (3) by turning it fully counterclockwise. The bleed valve handle should be pointing down.
7. Open the shutoff valve (fig. 11, item 1). The handle should now be in line with the valve.
8. Turn the air regulator (2) clockwise to increase pressure until the sprayer cycles evenly and material flows freely from the bleed hose.
9. Turn off the sprayer.
 - a. Turn the air regulator fully counterclockwise to its lowest pressure setting.
 - b. Close the shutoff valve.
10. Remove the bleed hose from the waste container and place it into the container of material.
11. Close the bleed valve by turning it fully clockwise.
12. Open the shutoff valve. The handle should now be in line with the valve.
13. Turn the air regulator clockwise to increase pressure until the sprayer cycles evenly. The air regulator gauge should read between 60-80 PSI (4 - 5.5 bar).
14. Unlock the gun by turning the gun trigger lock to the unlocked position.



Earth (ground) the gun by holding it against the edge of the metal container while flushing. Failure to do so may lead to a static electric discharge, which may cause a fire.

15. Trigger the gun into the metal waste container until all air and solvent is flushed from the spray hose and paint is flowing freely from the gun.
16. Lock the gun by turning the gun trigger lock to the locked position.
17. Close the shutoff valve (fig. 11, item 1). The figure shows the handle in the closed position.
18. Attach tip guard and tip to the gun as instructed by the tip guard or tip manuals.



POSSIBLE INJECTION HAZARD. Do not spray without the tip guard in place. Never trigger the gun unless the tip is in either the spray or the unplug position. Always engage the gun trigger lock before removing, replacing or cleaning tip.

19. Open the shutoff valve. The handle should now be in line with the valve.
20. Increase the pressure by turning the air regulator slowly clockwise and test the spray pattern on a piece of cardboard. Adjust the regulator until the spray from the gun is completely atomized. Verify pressure reading at the air gauge.
 - Paint pressure is directly proportional to the amount of air pressure.
 - **Example: PowrCoat 1045 = 45:1**
100 PSI (6.9 bar) reading at air gauge = 4500 PSI (310 bar) at pump outlet



DO NOT exceed an air regulator gauge reading of 100 PSI (6.9 bar).

21. Once the correct air pressure has been established, lock the air regulator by pushing down on the knob.



Using a higher pressure than required will only wear out tips. Use the guidelines in establishing the lowest pressures for proper atomization. Consult the materials manufacturer for guidelines in establishing the correct fluid pressure.

4.6 Pressure Relief Procedure

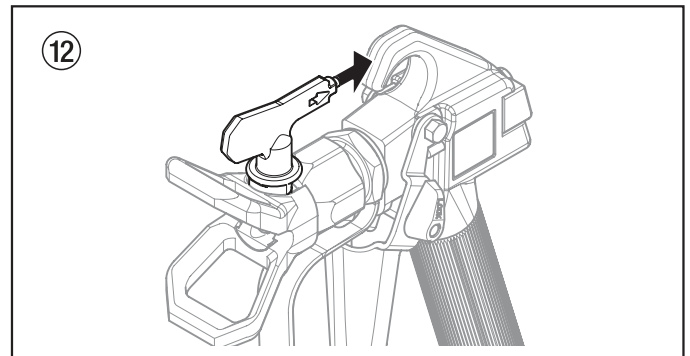


Be sure to follow the Pressure Relief Procedure when shutting the unit down for any purpose, including servicing or adjusting any part of the spray system, changing or cleaning spray nozzles, or preparing for cleanup.

1. Lock the spray gun by turning the gun trigger lock to the locked position.
2. Close the shutoff valve.
3. Slowly open the bleed valve by turning it fully counterclockwise.
4. Unlock the gun by turning the gun trigger lock to the unlocked position.
5. Hold the metal part of the gun firmly to the side of a metal waste container to earth the gun and avoid a build up of static electricity.
6. Trigger the gun to remove any pressure that may still be in the hose.
7. Lock the gun by turning the gun trigger lock to the locked position.

4.7 Cleaning a Clogged Tip

1. Follow the "Pressure Relief Procedure" found in the Operation section of this manual, section 4.6.
2. If the tip clogs, rotate the tip handle 180° until the arrow on the handle is facing the opposite of the spray direction and the handle clicks in the reverse position.



3. Trigger the gun once so that the pressure can blow the clog out. NEVER use the tip in the reverse position for more than ONE trigger pull at a time. This procedure can be repeated until the tip is free of clogging.



The flow from the spray tip is at very high pressure. Contact with any body part may be dangerous. Do not place finger on gun outlet. Do not point the gun at any person. Never operate the spray gun without the proper tip guard.

5. Cleanup



The sprayer, hose, and gun should be cleaned thoroughly after daily use. Failure to do so permits material to build up, seriously affecting the performance of the unit.



Always spray at minimum pressure with the gun nozzle tip removed when using mineral spirits or any other solvent to clean the sprayer, hose, or gun. Static electricity buildup may result in a fire or explosion in the presence of flammable vapors.

5.1 Special cleanup instructions for use with flammable solvents

- Always flush spray gun preferably outside and at least one hose length from spray pump.
- If collecting flushed solvents in a one gallon metal container, place it into an empty five gallon container, then flush solvents.
- Area must be free of flammable vapors.
- Follow all cleanup instructions.

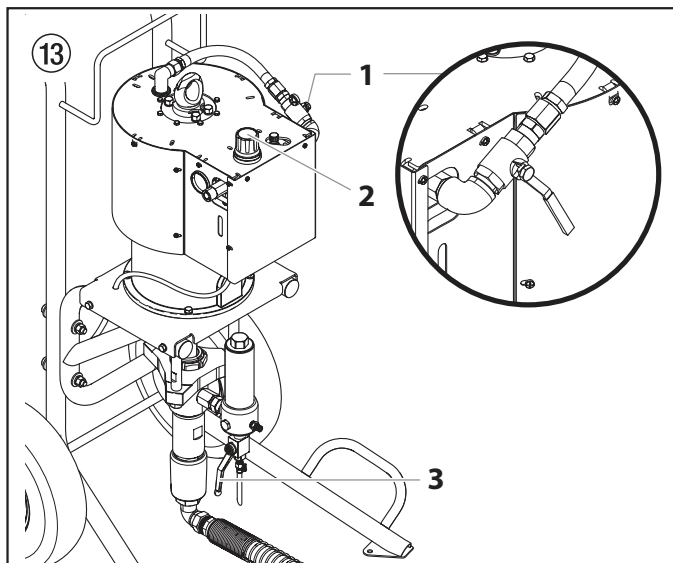
5.2 Cleaning the sprayer

1. Follow the "Pressure Relief Procedure" found in the Operation section of this manual, section 4.6.
2. Remove the gun tip and tip guard and clean with a brush using the appropriate solvent.
3. Place the siphon tube into a container of the appropriate solvent.



Use only compatible solvents when cleaning out oil based enamels, lacquers, coal tar, and epoxies. Check with the fluid manufacturer for the recommended solvent.

4. Place a metal container under the bleed hose.
5. Close the shutoff valve (fig. 13, item 1). The figure shows the handle in the closed position.
6. Start the compressor.
7. Turn the air regulator (2) fully counterclockwise to its lowest pressure setting.
8. Open the bleed valve (3) by turning it fully counterclockwise. The bleed valve handle should be pointing down.



9. Open the shutoff valve (fig. 13, item 1). The handle should now be in line with the valve.
10. Allow the solvent to circulate through the sprayer and flush the material out of the bleed hose into the metal waste container.
11. Close the shutoff valve (fig. 13, item 1). The figure shows the handle in the closed position.
12. Close the bleed valve by turning it fully clockwise.
13. Open the shutoff valve (fig. 13, item 1). The handle should now be in line with the valve.



Ground / Earth the gun by holding it against the edge of the metal container while flushing. Failure to do so may lead to a static electric discharge, which may cause a fire.

14. Trigger the gun into the metal waste container until the paint is flushed out of the hose and solvent is coming out of the gun.
15. Continue to trigger the spray gun into the waste container until the solvent coming out of the gun is clean.



For long-term or cold weather storage, pump mineral spirits through the entire system.

16. Follow the "Pressure Relief Procedure" found in the Operation section of this manual.
17. Store the sprayer in a clean, dry area.



Do not store the sprayer under pressure.

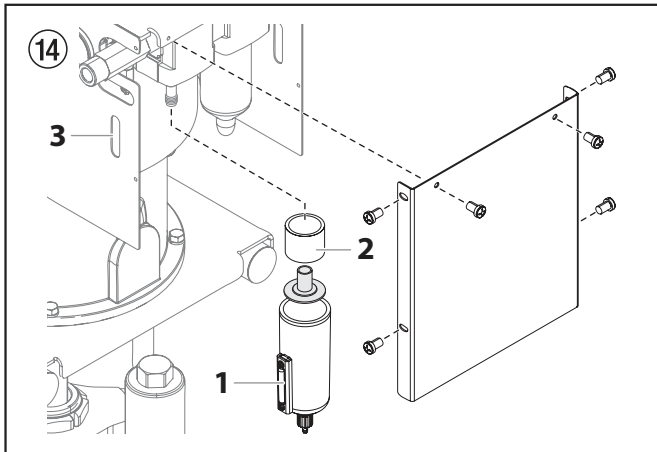
5.3 Cleaning the air filter

The air filter blocks any debris or particles that might be present in the supplied air from the air compressor. It is important that this filter be checked after every use.

1. Follow the "Pressure Relief Procedure" found in the Operation section of this manual, section 4.6.
2. Remove the six screws that secure the front shroud. Remove the front shroud.
3. Unthread the filter housing (1) that is located underneath the air motor shroud.
4. Remove and inspect the filter (2) inside the reservoir. If dirty, clean with warm, soapy water.
5. Replace the filter in the housing. Thread the housing into position underneath the motor shroud.



When the filter housing is replaced properly, the "up" arrow (▲) should be visible inside the viewing window (3).



6. Maintenance



Before proceeding, follow the Pressure Relief Procedure outlined previously in this manual. Additionally, follow all other warnings to reduce the risk of an injection injury, injury from moving parts or electric shock. Always unplug the sprayer before servicing!

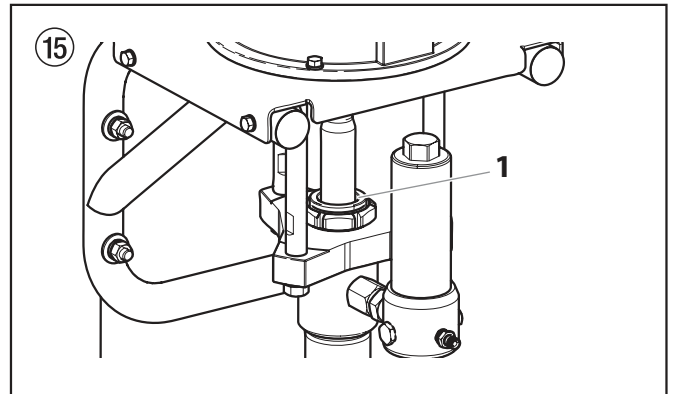
6.1 Daily Maintenance

Two daily procedures are required for routine operator maintenance on this sprayer:

- A. Lubricating the upper packings.
- B. Cleaning the inlet screen

A) Lubricating the Upper Packings

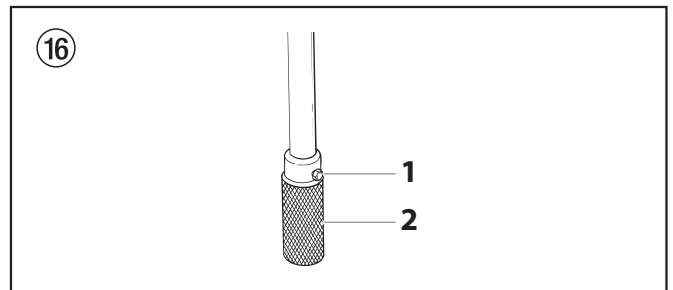
1. Clean out the paint that has seeped past the upper packings into the packing oil reservoir (fig. 15, item 1) above the fluid section.
2. Fill the packing oil reservoir 1/2 full with Piston Lube (P/N 314-480) supplied by the factory. This will extend packing life.



Do not over-fill the reservoir so that it overflows and drips into the paint.

B) Cleaning the Inlet Screen

1. The filter screen will clog and must be cleaned at least once a day.
2. Loosen the hex nut (fig. 16, item 1) that secures the filter screen to the siphon tube.
3. Remove the filter screen (2) from the bottom of the siphon tube.
4. Clean thoroughly with the appropriate solvent.



6.2 Maintaining the Filter Assembly

Clean the filter regularly. Dirty or clogged filters can greatly reduce filtering ability and cause a number of system problems including poor spray patterns, clogged spray tips, etc.

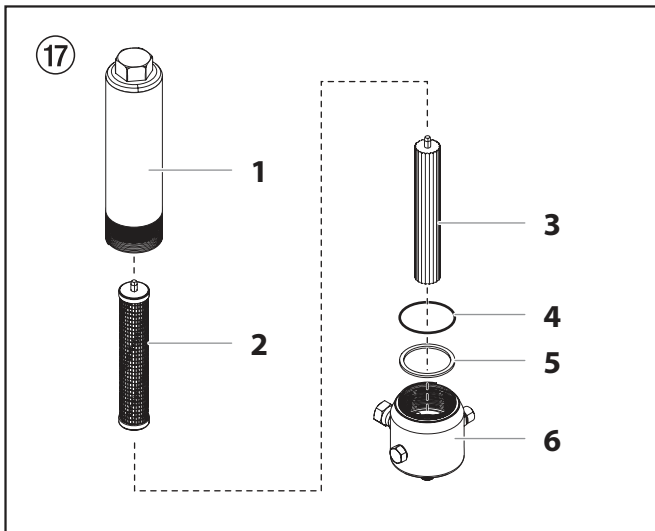
Cleaning (Fig. 17)

1. Follow the "Pressure Relief Procedure" found in the Operation section of this manual (section 4.6).
2. Remove filter cap assembly (1).
3. Pull the filter element (2) with support (3) straight out of the filter body (6).
4. Clean inside the filter body, filter element with support, and filter cap assembly using the appropriate solvent.



Use care in handling parts as dirt, debris, scratches, or nicks may prevent o-rings or gaskets from sealing.

This filter element filters from the outside in. Be sure to clean the filter element thoroughly. Soak in solvent to loosen hardened paint or replace.



Inspection (Fig. 17)

Inspect all parts of the filter assembly before reassembly.

1. Inspect the support inside the filter element. If the support has pressure cuts or scratches, replace the filter element.
2. Inspect the two PTFE gaskets (4, 5) for deformity, nicks, or cuts. Replace, if needed.

Reassembly (Fig. 17)

After cleaning and inspecting all parts, reassemble the filter.

1. Place the filter element (2) with support (3) into the filter body (6).
2. Place the thin PTFE gasket (5) onto the step at the top of the filter body (6).
3. Place the PTFE O-ring (4) into the groove of the base of the filter body threads (6).
4. Tighten the filter cap assembly (1) onto the filter body (6).

6.3 Air Motor Maintenance

Air motors require a normal maintenance and service inspection at 1500 hours service. Service procedure includes replacement of motor service kit. It is suggested that one motor service kit be kept on hand for normal maintenance and emergency repairs. Check the individual model's specifications for correct part numbers.

6.4 Maintaining the Fluid Pump

If the sprayer is going to be out of service for an extended period of time, it is recommended that following cleanup, Liquid Shield™ be introduced as a preservative. Packings may tend to dry out from lack of use. This is particularly true of the upper packing set for which upper packing lubricant Piston Lube (P/N 314-480) is recommended in normal usage.

If the sprayer has been out of service for an extended period of time, it may be necessary to prime the pump with solvent. It is extremely important that the threads on the siphon hose coupling are properly sealed. Any air leakage will produce erratic operation of the sprayer and may damage the system. The up and the down strokes should be approximately equal in time (one should not be faster than the other). A fast up or down stroke may indicate air in the system or malfunctioning valve or seats (see the Troubleshooting section).

7. Troubleshooting

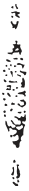
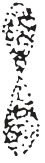



7.1 Spray Gun

Problem	Cause	Solution
A. Spitting gun	<ol style="list-style-type: none"> 1. Air in system 2. Dirty gun 3. Needle assembly out of adjustment 4. Broken or chipped seat 	<ol style="list-style-type: none"> 1. Inspect connections for air leaks. 2. Disassemble and clean. 3. Inspect and adjust. 4. Inspect and replace.
B. Gun will not shut off	<ol style="list-style-type: none"> 1. Worn or broken needle & seat 2. Needle assembly out of adjustment 3. Dirty gun 	<ol style="list-style-type: none"> 1. Replace. 2. Adjust. 3. Clean.
C. Gun does not spray	<ol style="list-style-type: none"> 1. No paint 2. Plugged filter or tip 3. Broken needle in gun 	<ol style="list-style-type: none"> 1. Check fluid supply. 2. Clean. 3. Replace.
D. Insufficient material supply.	<ol style="list-style-type: none"> 1. Material pressure set too low. 2. Blocked spray gun filter or pump high pressure filter. 3. Tip is blocked. 4. Tip is too small. 	<ol style="list-style-type: none"> 1. Increase the material pressure at pump. 2. Clean or replace the gun filter and/or pump high pressure filter. 3. Clean the tip. 4. Select a larger tip.
E. Poor spraying pattern.	<ol style="list-style-type: none"> 1. Tip is too large. 2. Material pressure at the pump is set too low. 3. Material viscosity is too high. 4. Worn tip. 	<ol style="list-style-type: none"> 1. Select a smaller tip. 2. Increase the material pressure at the pump. 3. Dilute the material according to the material manufacturer's instructions. 4. Replace with a new tip.

7.2 Air Motor

Problem	Cause	Solution
A. Motor stops at top or bottom of stroke - air does not exhaust when gun is open.	<ol style="list-style-type: none"> 1. Piston rod is loose where it connects to the fluid section. 2. Trip springs or valve spring broken. 3. Motor is frozen due to icing or lack of lubrication. 	<ol style="list-style-type: none"> 1. Tighten connection. 2. Inspect and replace where necessary. 3. Check the Air-Care™ fluid level in the Automatic Lubricator. If low, add Air-Care™ to reservoir. If condition persists, check air supply for contamination.
B. Motor stops, blows air from exhaust when gun is open.	<ol style="list-style-type: none"> 1. See above. 2. Air valve is in dead stall position. 3. O-rings were worn or damaged. 	<ol style="list-style-type: none"> 1. See above. 2. Remove one trip spring retainer, trip spring and ball. Push spool valve up or down, lubricate, reassemble and restart. 3. Install minor service kit and follow instructions in Servicing section of manual. <p>If dust or dirt is found inside motor, check air supply for contamination.</p>

7.3 Spray Patterns

Problem	Cause	Solution
<p>A. Tails</p> 	<p>1. Inadequate fluid delivery</p>	<p>1. Fluid not atomizing correctly: Increase fluid pressure. Change to smaller tip orifice size. Reduce fluid viscosity. Reduce hose length. Clean gun and filter(s). Reduce number of guns using pump.</p>
<p>B. Hour glass</p> 	<p>1. Inadequate fluid delivery</p>	<p>1. Same as above.</p>
<p>C. Distorted</p> 	<p>1. Plugged or worn tip</p>	<p>1. Clean or replace tip.</p>
<p>D. Pattern expanding and contracting (surge)</p> 	<p>1. Suction leak 2. Pulsating fluid delivery</p>	<p>1. Inspect for suction hose leak. 2. Change to a smaller tip orifice size. Install pulsation dampener in system or drain existing one. Reduce number of guns using pump. Remove restrictions in system; clean tip screen if filter is used.</p>
<p>E. Round pattern.</p> 	<p>1. Worn tip 2. Fluid too heavy for tip</p>	<p>1. Replace tip. 2. Increase pressure. Thin material. Change nozzle tip.</p>

7.4 Fluid Pump

Problem	Cause	Solution
A. Pump delivers on upstroke only or goes up slowly and down fast (commonly called downstroke dive).	<ol style="list-style-type: none"> 1. Lower foot valve ball is not seating due to trash or wear. 2. Material too viscous to siphon. 3. Air leaking in on siphon side or damaged siphon hose. Siphon may be too small for heavy material. 4. Upper packing nut (if applicable) is loose or upper packings are worn. 	<ol style="list-style-type: none"> 1. Remove foot valve assembly. Clean and inspect. Test foot valve by filling with water. If ball fails to seal the seat, replace ball. 2. Thin material - contact manufacturer for proper thinning procedures. 3. Tighten all connections between pump and paint container. If damaged, replace. Switch to bigger siphon set. 4. If tightening upper packing nut does not correct, change upper packings.
B. Pump delivers on down stroke only or goes up fast and down slowly.	<ol style="list-style-type: none"> 1. Upper ball is not seating due to trash or wear. 2. Lower packing set is worn. 	<ol style="list-style-type: none"> 1. Check upper seat and ball with water. If ball fails to seal seat, replace. 2. Replace packing set if worn.
C. Pump moves up and down fast, not delivering material.	<ol style="list-style-type: none"> 1. Material container is empty or material is too thick to flow through the siphon hose. 2. Bottom ball stuck to foot valve seat. 3. Siphon hose is kinked or loose. 	<ol style="list-style-type: none"> 1. Refill with new material. If too thick, remove siphon hose, immerse fluid section in material, and start pump to prime. Add thinner to material. Change to bigger siphon set. Open bleed valve to remove air and restart pump. 2. Remove foot valve. Clean ball and seat. 3. Straighten.
D. Pump moves up and down slowly when spray gun is shut off.	<ol style="list-style-type: none"> 1. Loose connections. Bleed valve is open partially or bleed valve is worn. Lower packing set is worn. 2. Upper and/or lower ball not seating. 	<ol style="list-style-type: none"> 1. Check all connections between pump and gun. Tighten as necessary. If material is flowing from bleed hose, close bleed valve or replace if necessary. Should none of above be evident, replace lower packing. 2. Reset balls by cleaning.
E. Not enough fluid pressure at gun.	<ol style="list-style-type: none"> 1. Spray tip is worn. 2. Compressor (air operated units only) too small. Outlet filter or gun filter is clogged. 3. Low voltage and/or inadequate amperage. 4. Hose size or length is too small or too long. 	<ol style="list-style-type: none"> 1. Replace. 2. Clean or replace filter. Recommend proper hose size and/or air compressor size. 3. Check electrical service. Correct as required. 4. Increase hose size to minimize pressure drop through hose and/or reduce hose lengths.
F. Pump chatters on up or down stroke	<ol style="list-style-type: none"> 1. Solvent has caused upper packing to swell, or packing is too tight. 	<ol style="list-style-type: none"> 1. Back off upper packing nut 1/4 turn (if applicable) and restart pump. Repeat if necessary.

8. Servicing

8.1 Servicing the Air Motor

The Air Motors require a normal maintenance inspection at 1500 hours of service on the non-circulating models.

Service procedure includes replacement of the Motor Service Kit (see next page for part numbers). It is suggested that one Motor Service Kit be kept on hand for normal maintenance and emergency repairs. See next page for part numbers of the Motor Kit.

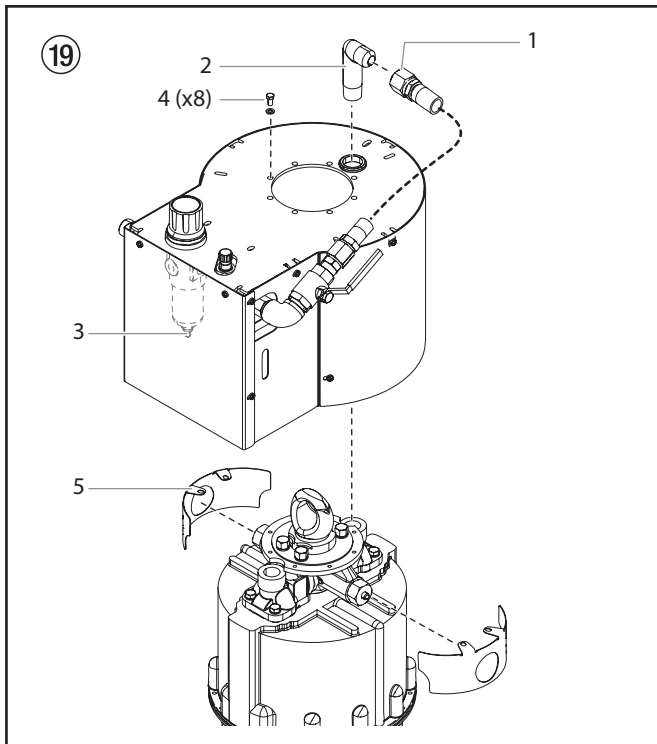
Accessing the Air Motor (Fig. 19)

In order to be able to access the air motor, certain components must be removed.



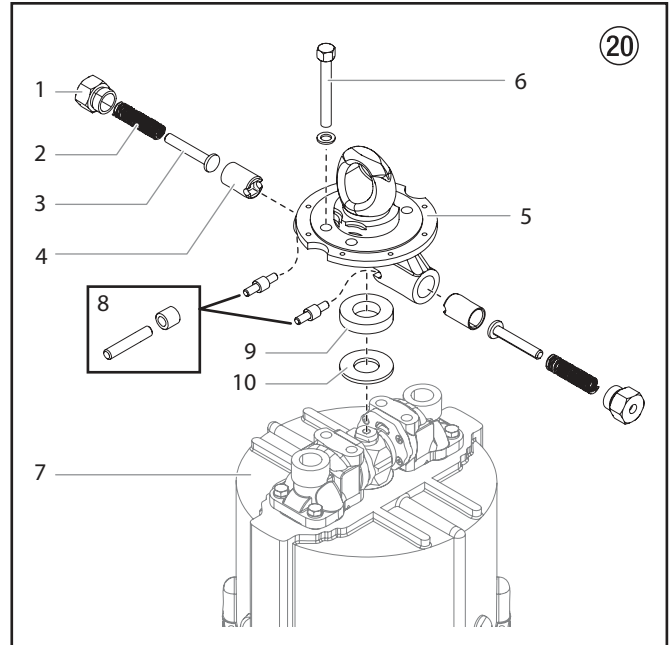
The piston rod in the fluid pump should be in the lowest-dead center position prior to performing these steps. The shutoff valve can be used to allow the sprayer to run slowly.

1. Remove all external air and fluid hoses from the sprayer.
2. Loosen the fitting (1) that secures the air hose to the elbow (2) fitting on top of the air motor.
3. Underneath the front shroud, remove the clear air tube (3) that is connected to the air regulator reservoir.
4. Remove the screws (4) and washers that secure the motor shroud to the air motor. Once removed, carefully lift the entire assembly off of the air motor.
5. Remove the side plates (5) from each side of the air motor.



Disassembling the Air Motor

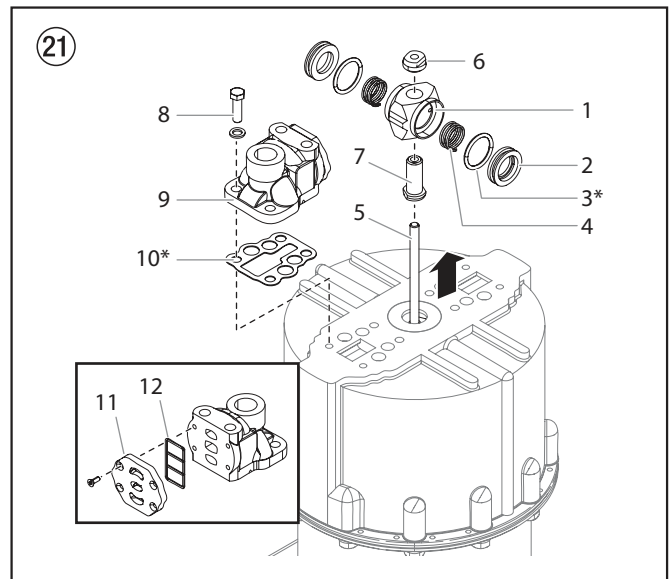
1. Unthread the spring retainer (Fig. 20, item 1) and remove the spring (2), guide (3) and plunger (4) from both sides of the detent housing (5). Inspect all parts for wear or damage.
2. Remove the four bolts (6) and washers that secure the detent housing (5) to the cylinder (7).
3. Remove the axle and roller assembly (8) from underneath the detent housing (5). Remove the axle from the roller and inspect both parts.
4. Remove the rubber pad (9) and flat washer (10).



5. Pull up on the slide valve housing (Fig. 21, item 1) by hand. Swivel the slide valve housing (1) 90° to expose the internal components.
6. Remove the valve (2), O-ring (3) and spring (4) from both sides of the slide valve housing. Inspect these parts and the slide valve housing for wear or damage.
7. Pull the slide valve housing (1) further upwards. Using pliers, carefully grip the trip rod (5), being careful not to damage the surface of the rod. Hold the rod in place. Using an adjustable wrench, remove the trip rod nut (6).
8. Remove the hub (7) from the trip rod (5).
9. Remove the bolts (8) that secure the manifold assembly (9) to the cylinder. Remove both of the manifold assemblies (9) and the manifold gaskets (10) from the cylinder.
10. Inspect the plates (11) on both manifold assemblies. If worn or damaged, replace.



If you replace either of the plates (11), you must replace the valve plate seal (12) also. Remove the screws from the plate to separate the plate from the manifold.



11. Remove the flat washer (Fig. 22, item 1) and rubber pad (2).
12. Using a socket, remove the bearing (3) from the cylinder. Remove the washer (4) and packing (5).
13. Loosen and remove the screws (6) that secure the cylinder (7) to the motor base (8). Carefully remove the cylinder.
14. With piston (10) in down position, place wrench on flats of piston rod (9) and disconnect piston rod from pump connecting rod (11) by unthreading the coupling nut (12). The connecting rod (11) can remain secured to the fluid section displacement rod (13).
15. Remove the lower stanchion nuts (14) and carefully separate the fluid pump from the air motor assembly.
16. Remove piston rod (9) and piston (10) from motor base (8). Be careful not to damage the piston O-ring (15).
17. Place the flats of the piston stud (16) that is still attached to the piston rod in a vise. Place a wrench on the flats of the piston rod (9). Loosen the piston rod from the piston stud.
18. Remove the trip rod (17) from the piston rod (9). Inspect the trip rod for nicks or damage. A damaged trip rod cannot be repaired and must be replaced.
19. Remove the packing (18) and the washer (19).

17. Turn the slide valve housing 90° so that it drops down flush to the cylinder.

Figure 20 -

18. Replace the washer (10) and rubber pad (9) on top of the trip rod nut.
19. Replace the axle and roller (8) assemblies into the detent housing (5).
20. Place the detent housing assembly (5) onto the cylinder (7). Secure with the screws (6).
21. Replace all components (2-4) into the detent housing (5). Secure with the spring retainers (1).
22. Reattach the outer plates by reversing steps 1-5 in "Accessing the Air Motor", previous page.

*Service Kit	
1000 Series	Description
0533935	Air motor service kit



During reassembly, use all of the repair parts included with the kit. Replace other parts as necessary.

20. Check the surface of the piston, piston rod, and cylinder wall for scratches or wear. A damaged piston rod will cause excessive wear on the packings and subsequent leakage.

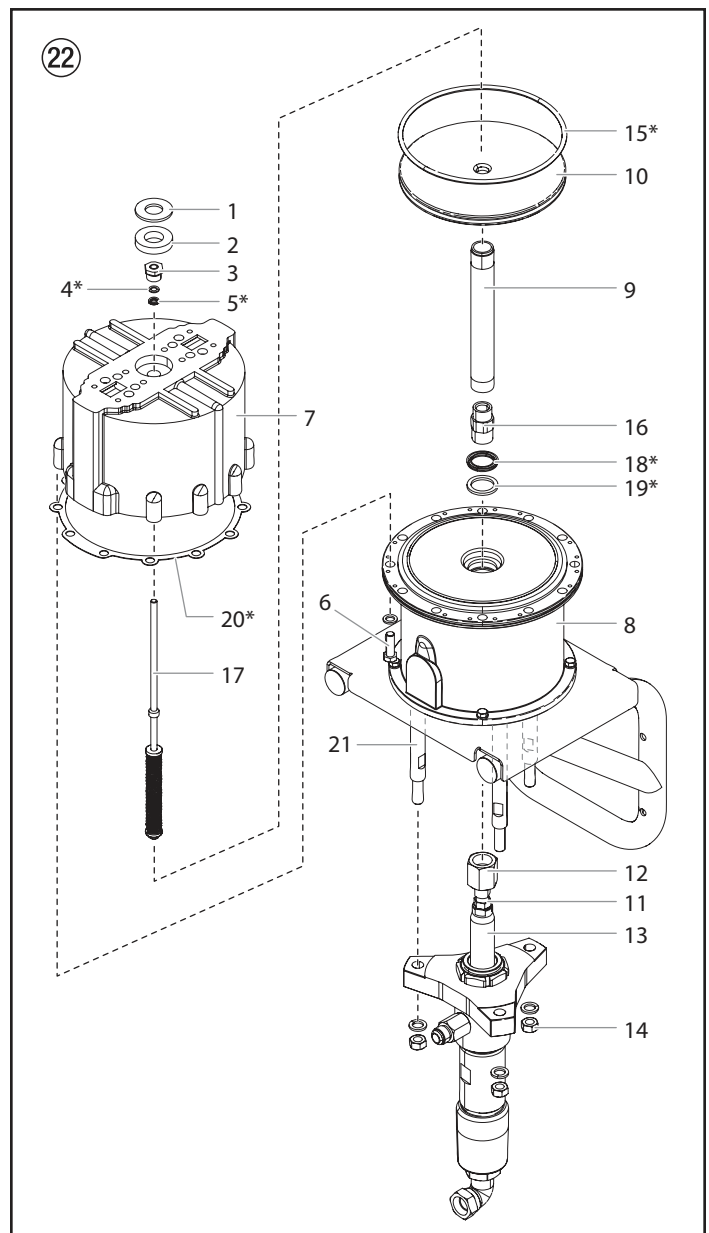
Reassembly Procedure (Fig. 22)

Wash all replaceable parts thoroughly with kerosene and lubricate with Lubri-Plate or similar non-water soluble grease. For routine servicing, use new parts from the Air Motor Service Major (see next column for part numbers). Inspect all other parts for abnormal wear or damage and replace if necessary.

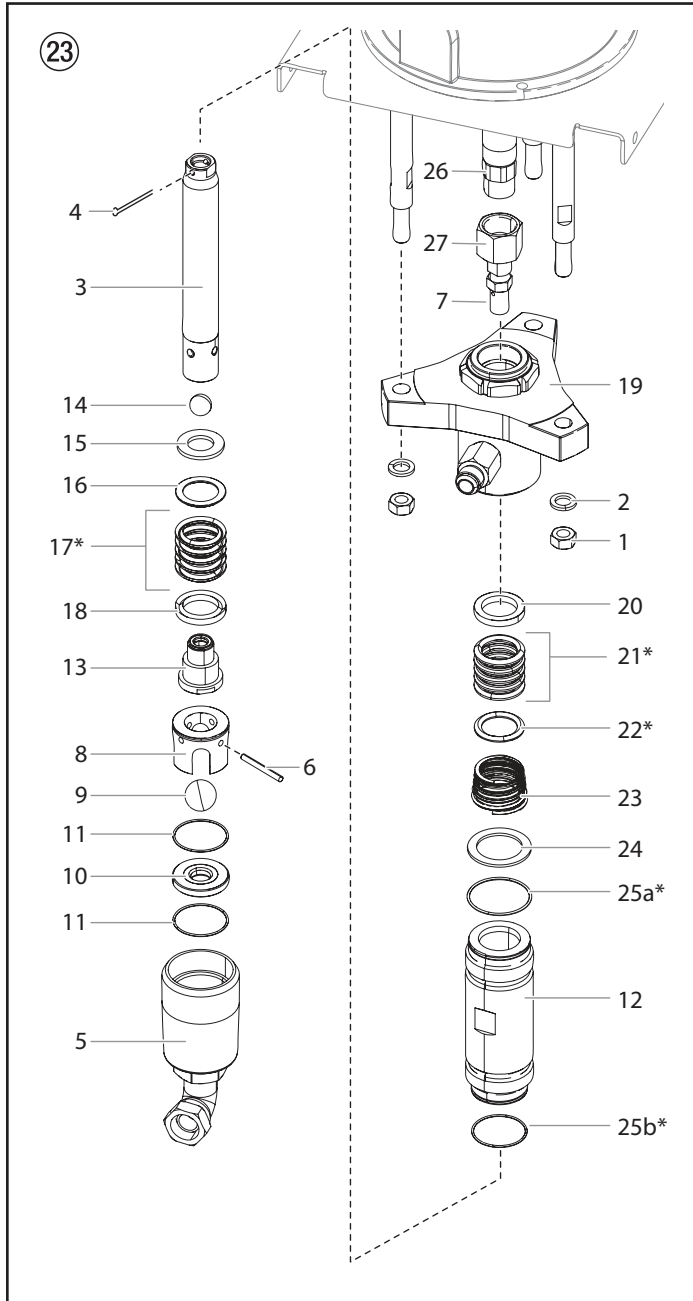
1. Install new washer (19) and packing (18) into motor base (8).
2. Place trip rod (17) into the piston rod (9).
3. Place a wrench on the flats of the piston rod (9). Thread the piston stud (16) into the piston rod. Torque to 456 - 504 ft.-lbs.
4. Install new piston O-ring (15) into piston (10).
5. Place new gasket (20) into position in motor base (8).
6. Place piston assembly (9, 10) into motor base (8). Do not damage O-ring (15).
7. Replace the packing (5) washer (4) and bearing (3) onto the cylinder. Using a socket, tighten the bearing.
8. Carefully lower the cylinder (7) onto the motor base (8). The top of the trip rod (17) should be exposed through the hole in the top.
9. Secure the cylinder with the cylinder screws (6).
10. Replace the rubber pad (2) and the washer (1).
11. Place wrench on the flats of the piston rod (9) and connect pump connecting rod (13) by tightening the coupling nut (12).
12. Slide the fluid pump assembly back onto the stanchions (21) and secure with the stanchion nuts (14).

Figure 21 -

13. Make sure the manifold gaskets (10) are in place on top of the cylinder. Replace the manifold assemblies (Fig. 21, item 9) back onto the cylinder and secure with the screws (8).
14. Reinstall the hub (7), spring (4), O-ring (3) and spring (2) back into the slide valve housing (1).
15. Place slide valve housing (1) onto trip rod (5) at the same 90° angle in figure 21.
16. Using pliers, carefully grip the trip rod being careful not to damage the surface of the rod. Hold the rod in place. Replace the trip rod nut (6) onto the trip rod and tighten using an adjustable wrench.



8.2 Servicing the Fluid Pump Assembly



Attention

Use of non-Titan manufactured service parts may void warranty.

The 1000 Series Pumps should receive service as required if there is excessive leakage from the top packing, or if pump strokes become faster on one stroke or another. The use of Titan Piston Lube Part # 314-480 is recommended as an upper packing lubricant. Do not substitute oil, water or solvent for an upper packing lubricant.

Disassembly Procedure

1. Test pump before disassembly. Follow test procedure in Troubleshooting Guide - Fluid Section.
2. Remove siphon hose assembly. Remove stanchion nuts (1) and washers (2).
3. Hold the air motor piston rod (26) at the wrench flats and unthread coupling nut (27) to separate pump from motor.



Attention

Never use a pipe wrench, pliers, etc. on the chrome part of hydraulic, air or fluid section rod.

4. Remove the pin (4) that connects the fluid displacement rod (3) with the connecting rod (27).
5. For easier disassembly, unthread and remove foot valve (5).
6. Remove the ball cage (8), ball (9), ball seat (10) and PTFE O-ring (11) from the foot valve (5). Remove the ball pin (6) from the ball cage (8).
7. Push the displacement rod (3) down as far as possible. Pull it out the bottom of the cylinder (12).
8. Secure the flats of the displacement rod (3) in a vise. Using a wrench, loosen and remove the piston seat (13).
9. Remove the ball (14), retainer (15), and the lower packing set (16-18).
10. Place the pump block upside down (19) in a vise. Using a wrench on the flats of the cylinder (12), unthread the cylinder from the pump block.
11. Remove the upper packing set (20-22), upper spring (23), and spring retainer (24) from the pump block.
12. Remove the O-rings (25a/25b) from the top and the bottom of the cylinder.
13. Clean and inspect all parts. Inspect displacement rod's (3) and cylinder's (12) chrome for grooves, dents or worn areas. Replace if hard chrome is damaged. Inspect valve seat (10) and replace if cracked or worn.
14. Repair the fluid pump by using all of the parts contained in the kit. For any other parts not included in the kit, replace those as needed.

Reassembly Procedure



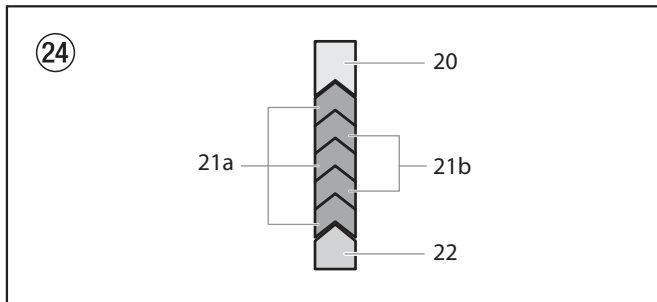
The pump block (19) should still be secured upside-down in a vise.

1. Soak the leather packings (21a) in hydraulic oil for 15-20 minutes.
Lubricate all of the other parts of the upper packing set (20, 21b, 22) with hydraulic oil. Insert the female gland (20), the upper packings (21a/b) and the male gland (22) into the bottom of the pump block (19).



Since the pump block (19) is upside-down, the upper packing set will be installed accordingly, with the peak of the "V" packings (21) pointing down.

After reinstallation, once the pump block is turned right-side up again, the peak of the "V" packings will point upwards. See fig. 24 for the final orientation of all parts of the upper packing set (20-22).



2. Insert upper spring (23); small end of spring must go toward the packing set.
3. Insert spring retainer (24).
4. Install new O-rings (25a/25b) on the cylinder (12).

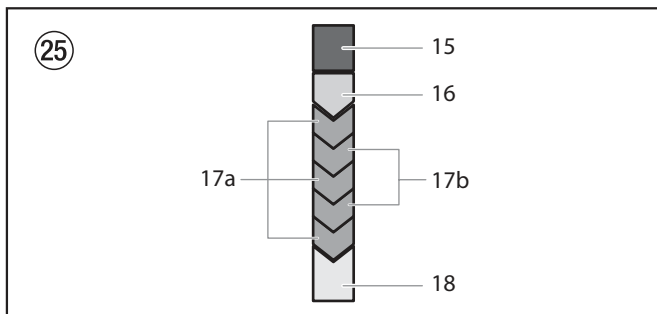


Lubricate all O-rings before assembly (Piston Lube, Part # 314-480).

5. Thread the cylinder (12) into the pump block (19). Tighten by using a wrench on the flats of the cylinder.
6. Soak the leather packings (17a) in hydraulic oil for 15-20 minutes.
Lubricate all other parts of the lower packing set (15-16, 17b, 18) with hydraulic oil. Install them onto the piston seat (13) in the following order: gland (18), lower packing set (17a/b), gland (16) and retainer (15).



The peak of the "V" packings (17) should be facing downward upon reassembly.



7. Reinstall the ball (14) onto the piston seat (13).

8. Thread piston seat (13) back onto displacement rod (3).
Torque to 55-65 ft.-lbs. (74-88 N.m.)



Use Loctite (Part # 426-051) on clean threads of the piston seat.

9. Insert displacement rod (3) assembly through upper packing set (20-22) in pump block (19). Be careful not to scratch the inner walls of the cylinder or pump block. Push the displacement through until the end is protruding from the top of the pump block (19).
10. Remove cylinder (12) and pump block (19) from the vise.
11. Reinstall the ball pin (6) into the ball cage (8). Install the O-ring (11), ball seat (10), ball (9) ball cage (8) and the O-ring (7) into the foot valve (5).
12. Thread the foot valve (5) into the cylinder (12).



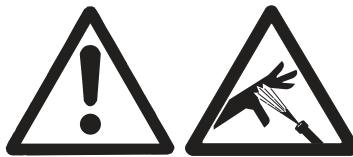
It is not necessary to overtighten foot valve and cylinder into pump block. O-ring seals perform sealing function without excessive tightening. Full thread engagement is sufficient. The foot valve (5) may be rotated back up to 3/4 turn from full engagement for convenient hose position.

13. Reinstall the fluid pump. Line up the triangular pump block (19) with the stanchions on the air motor. Secure with the stanchion nuts (4).
14. Insert connecting rod (7) through coupling nut (27) and thread connecting rod (7) into displacement rod (3).
15. Line up the holes in the displacement rod (3) and the connecting rod (7). Re-Insert the pin (4).
16. Hold the air motor piston rod (26) at the wrench flats and thread coupling nut (27) to secure the pump to the motor.

Service Kits			
1045 Series	1064 Series	1072 Series	Description
0533936	0533937	0533938	Fluid pump service kit (includes items 4, 9, 11, 14, 16-18, 20-22, 25a/25b, and Loctite sealant 426-051)

Warnung!

**Achtung: Verletzungsgefahr durch Injektion!
Airless-Geräte entwickeln extrem hohe Spritzdrücke.**



1

Niemals Finger, Hände oder andere Körperteile mit dem Spritzstrahl in Berührung bringen!

Nie die Spritzpistole auf sich, Personen und Tiere richten.

Nie die Spritzpistole ohne Spritzstrahl-Berührungsschutz benutzen.

Behandeln Sie eine Spritzverletzung nicht als harmlose Schnittverletzung. Bei einer Hautverletzung durch Beschichtungsstoff oder Lösemittel sofort einen Arzt aufsuchen zur schnellen, fachkundigen Behandlung. Informieren Sie den Arzt über den verwendeten Beschichtungsstoff oder das Lösemittel.

2

Vor jeder Inbetriebnahme sind gemäß Betriebsanleitung folgende Punkte zu beachten:

1. Fehlerhafte Geräte dürfen nicht benutzt werden.
2. Titan-Spritzpistole sichern mit Sicherungshebel am Abzugsbügel.
3. Erdung sicherstellen.
4. Zulässigen Betriebsdruck von Hochdruckschlauch und Spritzpistole überprüfen.
5. Alle Verbindungsteile auf Dichtheit prüfen.

3

Anweisungen zur regelmäßigen Reinigung und Wartung des Gerätes sind streng einzuhalten.

Vor allen Arbeiten am Gerät und bei jeder Arbeitspause folgende Regeln beachten:

1. Spritzpistole und Hochdruckschlauch druckentlasten.
2. Titan-Spritzpistole sichern mit Sicherungshebel am Abzugsbügel.
3. Gerät ausschalten.

Achte auf Sicherheit!

Inhalt

	Seite		Seite
1. Sicherheitsvorschriften für das Airless-Spritzen	24	6. Wartung	35
1.1 Erklärung der verwendeten Symbole.....	24	6.1 Tägliche Wartung.....	35
1.2 Kompressor Sicherheit.....	25	6.2 Wartung des Hochdruckfilter.....	36
1.3 Aufstellung in unebenem Gelände.....	26	6.3 Unterhalt des Luftmotor.....	37
1.4 Einfrierende Teile.....	26	6.4 Wartung der Pumpeneinheit.....	37
2. Anwendungsübersicht	27	7. Fehlerbehebung	37
2.1 Einsatzgebiete.....	27	7.1 Spritzpistole.....	37
2.2 Beschichtungsstoffe.....	27	7.2 Luftmotor.....	37
3. Gerätebeschreibung	27	7.3 Spritzmuster.....	38
3.1 Airless-Verfahren.....	27	7.4 Flüssigkeitspumpe.....	39
3.2 Funktion des Gerätes.....	27	8. Wartung	40
3.3 Erklärungsbild PowrCoat.....	28	8.1 Wartung des Druckluftmotors.....	40
3.4 Technische Daten PowrCoat-Geräte.....	29	8.2 Wartung der Flüssigkeitspumpe.....	42
4. Bedienung	29	Zubehör und Ersatzteile	66
4.1 Einrichtung.....	29	Ersatzteilliste Hauptbaugruppe.....	66/67
4.2 Automatischer Druckluftöler.....	31	Ersatzteilliste Baugruppe Wandhalterung.....	68/69
4.3 Vorbereitung eines neuen Spritzgeräts.....	32	Ersatzteilliste Baugruppe oberes Gehäuse.....	70/71
4.4 Vorbereitungen für das Spritzen.....	33	Ersatzteilliste Luftmotor.....	72/73
4.5 Spritzvorgang.....	32	Ersatzteilliste Flüssigkeitspumpe.....	74/75
4.6 Vorgehensweise bei Druckentlastung.....	33	Ersatzteilliste Automatischer Druckluftöler.....	76/77
4.7 Eine verstopfte Düse reinigen.....	33	Ersatzteilliste Hochdruckfilter.....	78/79
5. Reinigung	34	Ersatzteilliste Wagen.....	80/81
5.1 Besondere Reinigungshinweise bei Verwendung entflammbarer Lösungsmittel.....	34	Garantie	82
5.2 Reinigung des Spritzgeräts.....	34		
5.3 Reinigung des Luftfilters.....	35		

1. Sicherheitsvorschriften für das Airless-Spritzen

1.1 Erklärung der verwendeten Symbole

Diese Bedienanleitung enthält Informationen, die der Benutzer vor Verwendung des Geräts gründlich durcharbeiten muss. In Bereichen, die mit den folgenden Symbolen gekennzeichnet sind, besonders vorsichtig arbeiten und alle Sicherheitshinweise beachten.

	Dieses Symbol verweist auf eine potenzielle Gefahr, die zum Tode oder zu schweren Verletzungen führen kann. Hier finden Sie wichtige Sicherheitsinformationen.
 Achtung	Dieses Symbol weist auf eine potenzielle Gefahr für Sie bzw. das Gerät hin. Unter diesem Symbol finden Sie wichtige Informationen, wie Sie Schäden an dem Gerät und Verletzungsgefahr vermeiden.
	Injektionsgefahr
	Brandgefahr durch Lösemittel und Farbdämpfe
	Explosionsgefahr durch Lösemittel, Farbdämpfe und ungeeignete Materialien
	Verletzungsgefahr durch das Einatmen von schädlichen Dämpfen
	Hinweise enthalten wichtige Informationen, die beachtet werden sollten.



GEFAHR: Verletzung durch Flüssigkeiten unter Druck

Eine unter hohem Druck stehende Flüssigkeit, wie sie von diesem Gerät erzeugt wird, kann die Haut durchdringen und in das darunter liegende Bindegewebe eindringen und so zu schweren Verletzungen und selbst zur Amputation führen.

Behandeln Sie eine Spritzverletzung nicht als harmlose Schnittverletzung. Bei einer Hautverletzung durch Beschichtungsstoff oder Lösemittel sofort einen Arzt aufsuchen zur schnellen, fachkundigen Behandlung. Informieren Sie den Arzt über den verwendeten Beschichtungsstoff oder das Lösemittel.

VORSICHTSMASSNAHMEN:

- NIEMALS die Spritzpistole auf Körperteile halten.
- NIEMALS mit Körperteilen den Flüssigkeitsstrahl berühren. NIEMALS mit dem Körper eine Leckstelle im Druckschlauch berühren.
- NIEMALS die Hand vor die Düse der Spritzpistole halten. Handschuhe stellen keinen sicheren Schutz vor Verletzungen durch injizierte Flüssigkeiten dar.
- STETS den Auslöser der Spritzpistole verriegeln, die Pumpe ausschalten und den Druck vollständig entspannen, bevor Wartungs- und Reinigungsarbeiten, Durchsichten, Düsenwechsel oder ähnliche Arbeiten durchgeführt werden oder das Gerät unbeaufsichtigt gelassen wird. Auch nach dem Ausschalten des Kompressor steht das Gerät noch unter Druck. Das Ventil PRIME/SPRAY (Vorfüll-/Sprühventil) bzw. das Druckentlastungsventil müssen in ihren Sollpositionen stehen, um den Systemdruck zu entspannen.
- STETS den Düsenschutz aufsetzen, wenn Spritzarbeiten durchgeführt werden. Der Düsenschutz stellt einen gewissen Schutz dar, ist aber vor allem als Warnvorrichtung gedacht.
- STETS die Spritzdüse entfernen, bevor das System gereinigt oder gespült wird.
- NIEMALS eine Spritzpistole ohne funktionsfähige Auslöserverriegelung und ohne Auslöserbügel verwenden.
- Das gesamte Zubehör muss mindestens für den maximalen Betriebsdruckbereich des Spritzgeräts zugelassen sein. Dazu gehören Spritzdüsen, Spritzpistolen, Verlängerungen und Schlauch.



GEFAHR: Hochdruckschlauch

Durch Verschleiß, Knicken und nicht zweckentsprechende Verwendung können sich Leckstellen im Farbschlauch bilden. Durch eine Leckstelle kann Flüssigkeit in die Haut injiziert werden. Vor Verwendung den Schlauch gründlich prüfen.

VORSICHTSMASSNAHMEN:

- Scharfes Biegen oder Knicken des Hochdruckschlauches vermeiden, kleinster Biegeradius etwa 20 cm.
- Hochdruckschlauch nicht überfahren, sowie vor scharfen Gegenständen und Kanten schützen.
- Beschädigten Hochdruckschlauch sofort ersetzen.
- Niemals defekten Hochdruckschlauch selbst reparieren!
- Elektrostatische Aufladung von Spritzpistole und Hochdruckschlauch wird über den Hochdruckschlauch abgeleitet. Deshalb muss der elektrische Widerstand zwischen den Anschlüssen des Hochdruckschlauchs gleich oder kleiner ein Megaohm betragen.
- Aus Gründen der Funktion, Sicherheit und Lebensdauer, nur Titan-Original-Ersatzhochdruckschläuche verwenden.
- Vor jedem Einsatz alle Schläuche auf Einschnitte, Leckstellen, Scheuerstellen oder gewölbte Oberflächen kontrollieren. Die Kupplungen auf Unversehrtheit und festen Sitz kontrollieren. Schläuche unverzüglich ersetzen, wenn einer der oben genannten Fehler festgestellt wird. Einen Farbschlauch

niemals reparieren. Einen defekten Schlauch durch einen geerdeten Hochdruckschlauch ersetzen.

- Achten Sie darauf, Spritzschläuche so zu verlegen, dass die Rutsch-, Stolper-, und Umfallgefahr minimiert wird.



GEFAHR: Explosions- und Brandgefahr

Brennbare Dämpfe, wie z. B. Dämpfe von Lösungsmitteln und Farben können sich in den Arbeitsbereichen entzünden oder explodieren.

VORSICHTSMASSNAHMEN:

- Verwenden Sie das Gerät ausschließlich in gut belüfteten Bereichen. Achten Sie auf ausreichende Frischluftzufuhr im gesamten Bereich, damit sich keine brennbaren Dämpfe in der Luft im Spritzbereich ansammeln können. Bewahren Sie die Pumpenbaugruppe in einem gut belüfteten Bereich auf. Besprühen Sie nicht die Pumpenbaugruppe.
- Beseitigen Sie alle Zündquellen, wie z. B. Zündflammen, Zigaretten, tragbare elektrische Lampen und Plastikabdeckplanen (potenzieller elektrostatischer Lichtbogen).
- Halten Sie die Arbeitsbereiche frei von Verunreinigungen, einschließlich Lösungsmittel, Lappen und Benzin.
- Schließen Sie die Elektroleitungen nicht bzw. trennen diese nicht ab bzw. schalten Sie die Netzschalter bzw. Lichtschalter nicht ein bzw. aus, wenn sich brennbare Dämpfe entwickelt haben.
- Schutzleiter und leitfähige Gegenstände im Arbeitsbereich. Achten Sie darauf, dass die Erdleitung von der Erdungsklemme mit einem wirksamen Erdungsanschluss verbunden ist.
- Verwenden Sie ausschließlich geerdete Schläuche.
- Halten Sie die Spritzpistole fest an die Seite eines geerdeten Eimers, wenn Sie in den Eimer spritzen.
- Kommt es durch statische Aufladung zu Funkenbildung bzw. wenn Sie einen Stromschlag verspüren, brechen Sie den Vorgang umgehend ab.
- Sie müssen die Zusammensetzung der Farben und Lösungsmittel, die Sie spritzen möchten, kennen. Lesen Sie alle Material Sicherheitsdatenblätter (MSDS) und Behälterbeschriftungen von Farben und Lösungsmitteln durch. Befolgen Sie die Sicherheitsanweisungen des Farben- und Lösungsmittelherstellers.
- Verwenden Sie keine Farben bzw. Lösungsmittel, die Halogenkohlenwasserstoffe enthalten, wie z. B. Chlor, Bleiche, Antischimmelmittel, Methylenchlorid und Trichlorethan. Sie sind nicht kompatibel mit Aluminium. Setzen Sie sich mit dem Lieferanten der Beschichtung hinsichtlich der Kompatibilität des Materials mit Aluminium in Verbindung.
- Halten Sie im Arbeitsbereich einen Feuerlöscher bereit.



GEFAHR: Gefährliche Dämpfe

Farben, Lösungsmittel und andere Materialien können beim Einatmen oder beim Kontakt mit dem Körper gesundheitsschädlich sein. Die Dämpfe können schwere Übelkeit, Ohnmacht und Vergiftungen verursachen.

VORSICHTSMASSNAHMEN:

- Bei Spritzarbeiten Atemschutz tragen. Alle mit der Gesichtsmaske mitgelieferten Anleitungen beachten, damit die Gesichtsmaske auch den gewünschten Schutz bietet.
- Dem Benutzer ist eine Atemschutzmaske zur Verfügung zu stellen (Berufs-Genossenschaftliche Regeln „Regeln für den Einsatz von Atemschutzgeräten“ (BGR 190).
- Arbeitsschutzbrille tragen.
- Zum Schutz der Haut sind Schutzkleidung, Handschuhe und eventuell Hautschutzcreme erforderlich (BGR 197 "Benutzung von Hautschutz"). Vorschriften der Hersteller beachten zu den

Beschichtungsstoffen, Lösemittel und Reinigungsmittel bei Aufbereitung, Verarbeitung und Gerätereinigung.



GEFAHR: Allgemeines

Kann schwere Personen- oder Sachschäden verursachen.

VORSICHTSMASSNAHMEN:

- Alle lokalen sowie im Land bzw. Bundesland geltenden Vorschriften zum Brandschutz, zur Bedienung und Lüftung einhalten.
- Bei Betätigung des Auslösers zieht die Spritzpistole zur Seite. Diese Kraftwirkung der Spritzpistole ist besonders stark, wenn die Düse entfernt und bei der Pumpe hoher Druck eingestellt wurde. Bei der Reinigung mit abgeschraubter Düse daher den Druckreglerknopf auf den niedrigsten Druck einstellen.
- Nur vom Hersteller zugelassene Teile verwenden. Bei Verwendung von Teilen, die nicht die technischen Mindestanforderungen erfüllen, trägt der Benutzer alle Risiken und die gesamte Haftung. Dies gilt auch für die Sicherheitsvorrichtungen der Pumpe.
- IMMER die Hinweise des Herstellers zum sicheren Umgang mit Farben und Lösungsmitteln einhalten.
- Verschüttete Materialien und Lösemitteln sofort aufwischen, um Rutschgefahr zu vermeiden.
- Gehörschutz tragen. Dieses Gerät kann einen Schalldruck über 85 dB(A) erzeugen.
- Das Gerät niemals unbeaufsichtigt lassen. Kinder oder andere Personen, die mit dem Betrieb des druckluftlosen Spritzgeräts nicht vertraut sind, von dem Gerät fern halten.
- Gerät wiegt mehr als 36 kg. Muss von drei Personen getragen werden.
- An windigen Tagen nicht im Freien spritzen.
- Das Gerät inklusive aller Flüssigkeiten (z.B. Hydrauliköl) müssen umweltgerecht entsorgt werden.

1.2 Kompressor Sicherheit

PowrCoat Geräte sind druckluftbetrieben (durch einen Luftkompressor betrieben). Befolgen Sie die Sicherheitsmaßnahmen, die der Kompressorhersteller im Hinblick auf die elektrische und allgemeine Sicherheit gibt.

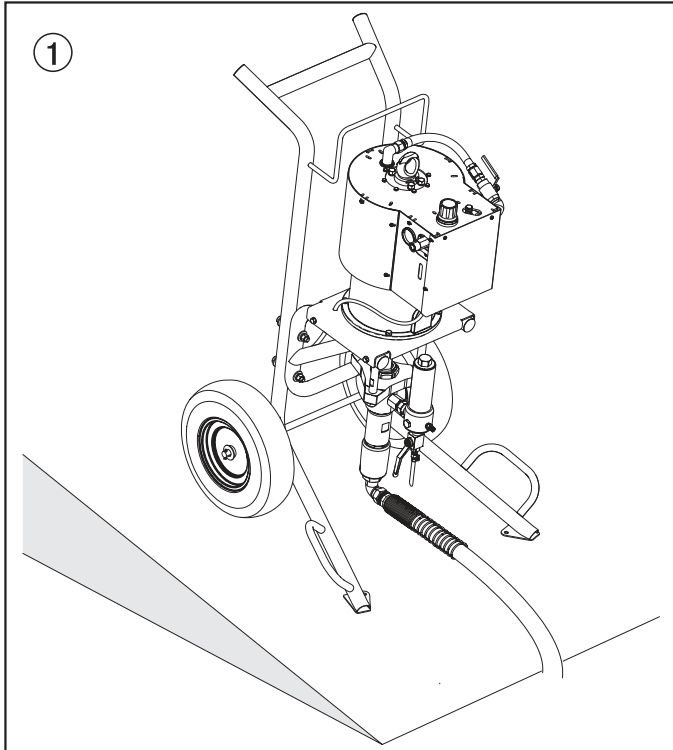
Positionieren Sie den Kompressor außerhalb des unmittelbaren Spritzbereichs, um zu vermeiden, dass die Lufteinlässe des Kompressors durch Farbspritzer verstopft werden.



Eine richtige Erdung ist sehr wichtig. Beim Transport bestimmter Medien durch den Nylonschlauch entsteht eine elektrostatische Aufladung, die bei einer Entladung Lösungsmitteldämpfe entzünden und eine Explosion verursachen könnte.

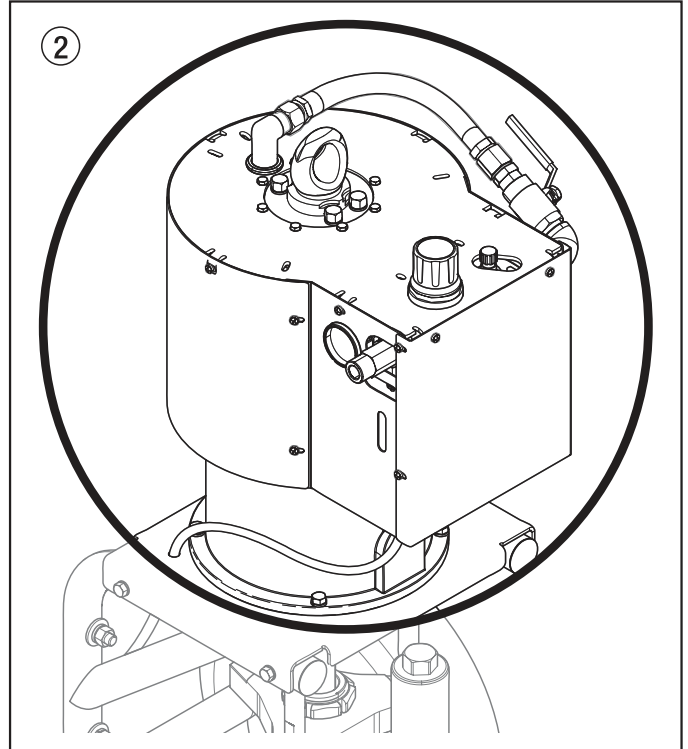
1.3 Aufstellung in unebenem Gelände

Die Vorderseite des Geräts muss nach unten zeigen, um Wegrutschen zu vermeiden.



1.4 Einfrierende Teile

Die Temperatur einiger Komponenten kann während der Benutzung unter 0° C (32° F) fallen und es kann zu Frostbildung kommen. Die Bereiche der Pumpe, die am wahrscheinlichsten Gefriertemperaturen erreichen, entnehmen Sie bitte der unteren Tabelle. Vermeiden Sie es, Komponenten in diesem Bereich während der Benutzung zu berühren.



Betriebstemperatur

Dieses Gerät funktioniert einwandfrei in seiner für ihn vorgesehen Raumtemperatur zwischen +10°C und +40°C.

Relative Feuchtigkeit

Das Gerät funktioniert in einem Umfeld mit einer relativen Feuchtigkeit von 50%, bei +40°C einwandfrei. Eine höhere relative Feuchtigkeit stellt bei niedrigeren Temperaturen kein Problem dar. Der Benutzer des Geräts muss Maßnahmen ergreifen, um die schädigenden Auswirkungen von Kondensation zu vermeiden.

Höhe

Dieses Gerät funktioniert in einer Höhe von bis zu 2100m über n.n. einwandfrei.

Transport und Aufbewahrung

Dieses Gerät hält Transport- bzw. Aufbewahrungstemperaturen von -25°C bis +55°C, kurzzeitig auch bis zu +70°C, stand bzw. ist dagegen geschützt.

Es wurde so verpackt, dass es Beschädigungen durch die Auswirkungen von normaler Feuchtigkeit, Erschütterungen und Stößen standhält.

2. Anwendungsübersicht

2.1 Einsatzgebiete

Grundierung und Schlussbeschichtung von Großflächen, Versiegelung, Imprägnierung, Bausanierung, Fassadenschutz und Fassadenrenovierung, Rostschutz und Bautenschutz, Dachbeschichtung, Dachabdichtung, Betonsanierung, sowie schwerer Korrosionsschutz.

Spritzobjekt-Beispiele

Großbaustellen, Tiefbau, Kühltürme, Brücken, Kläranlagen und Flachdächer.

2.2 Beschichtungsstoffe

Verarbeitbare Beschichtungsstoffe



Achten Sie auf Airless-Qualität bei den zu verarbeitenden Beschichtungsstoffen.

Latexfarben, Dispersionsfarben, Flammschutz- und Dickschichtmaterialien, Zinkstaub- und Eisenglimmerfarben, Airless-Spritzspachtel, spritzbare Kleber, Korrosionsschutz, Dickschichtmaterialien und bitumenähnliche Beschichtungsstoffe.

Die Verarbeitung anderer Beschichtungsstoffe ist nur mit Zustimmung der Firma Titan zulässig.

Filterung

Trotz Hochdruckfilter ist eine Filterung des Beschichtungsstoffes im allgemeinen zu empfehlen (außer bei Spritzspachtel).

Beschichtungsstoff vor Arbeitsbeginn gut umrühren.



Achtung: Beim Aufrühren mit motorgetriebenen Rührwerken darauf achten, dass keine Luftblasen eingerührt werden. Luftblasen stören beim Spritzen, können sogar zur Betriebsunterbrechung führen.

Viskosität

Mit den Geräten ist es möglich, hochviskose Beschichtungsstoffe zu verarbeiten.

Lassen sich hochviskose Beschichtungsstoffe nicht ansaugen, so ist nach Herstellerangabe zu verdünnen.

Zweikomponenten-Beschichtungsstoff

Die entsprechende Verarbeitungszeit ist genau einzuhalten. Innerhalb dieser Zeit das Gerät sorgfältig mit dem entsprechenden Reinigungsmittel durchspülen und reinigen.

Beschichtungsstoffe mit scharfkantigen Zusatzstoffen

Diese üben auf Ventile, Hochdruckschlauch, Spritzpistole und Düse eine stark verschleißende Wirkung aus. Die Lebensdauer dieser Teile kann sich dadurch erheblich verkürzen.

3. Gerätebeschreibung

3.1 Airless / Air-Powered-Verfahren

Eine **Airless**-Kolbenpumpe nimmt das Material durch Ansaugen auf. Die pneumatische Kolbenpumpe wird durch Druckluft angetrieben, die von einem äußeren Luftkompressor kommt (**Air-Powered**).

Durch den Zyklus der Kolbenpumpe wird das Material durch die Pumpe und den Flüssigkeitsschlauch zur Spritzpistole bewegt. Das Material wird mit sehr hohem Druck durch die Düse gepresst, wodurch das Beschichtungsmaterial in feine Partikel zerstäubt wird.

Diese Art zu spritzen bringt die Vorteile von feinsten Zerstäubung, nebelarmer Betriebsweise und glatter, blasenfreier Oberfläche. Neben diesen Vorteilen sind die Arbeitsgeschwindigkeit und die große Handlichkeit zu nennen.

3.2 Funktion des Gerätes

Zum besseren Verständnis der Funktion kurz den technischen Aufbau. TITAN PowrCoat sind Hochdruckspritzgeräte, die mithilfe eines Luftkompressors mit Druckluft betrieben werden.

Ein Luftkompressor, der über einen Luftschlauch angeschlossen ist, treibt den Luftmotor (1) an, der dann den Kolben in der Materialförderpumpe (2) auf und ab bewegt und das Spritzmaterial über den Ansaugschlauch (3) ansaugt.

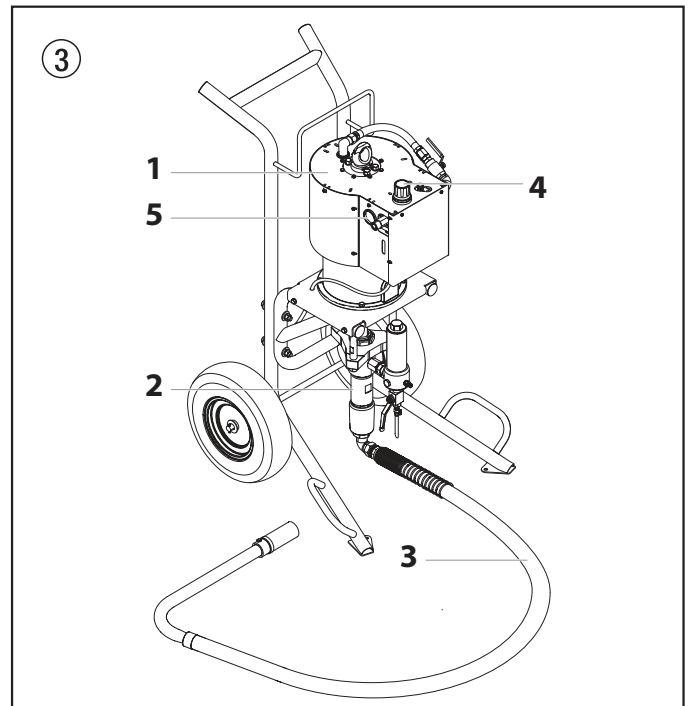
Der Druckregler (4) steuert den Luftdruck, der in das System gelassen wird, und ist direkt proportional zum Flüssigkeitsdruck, der produziert wird.

Beispiel: PowrCoat 1045 = 45:1

100 PSI (6,9 bar) auf dem Manometer (5) = 4500 PSI (310 bar) beim Pumpenauslass.

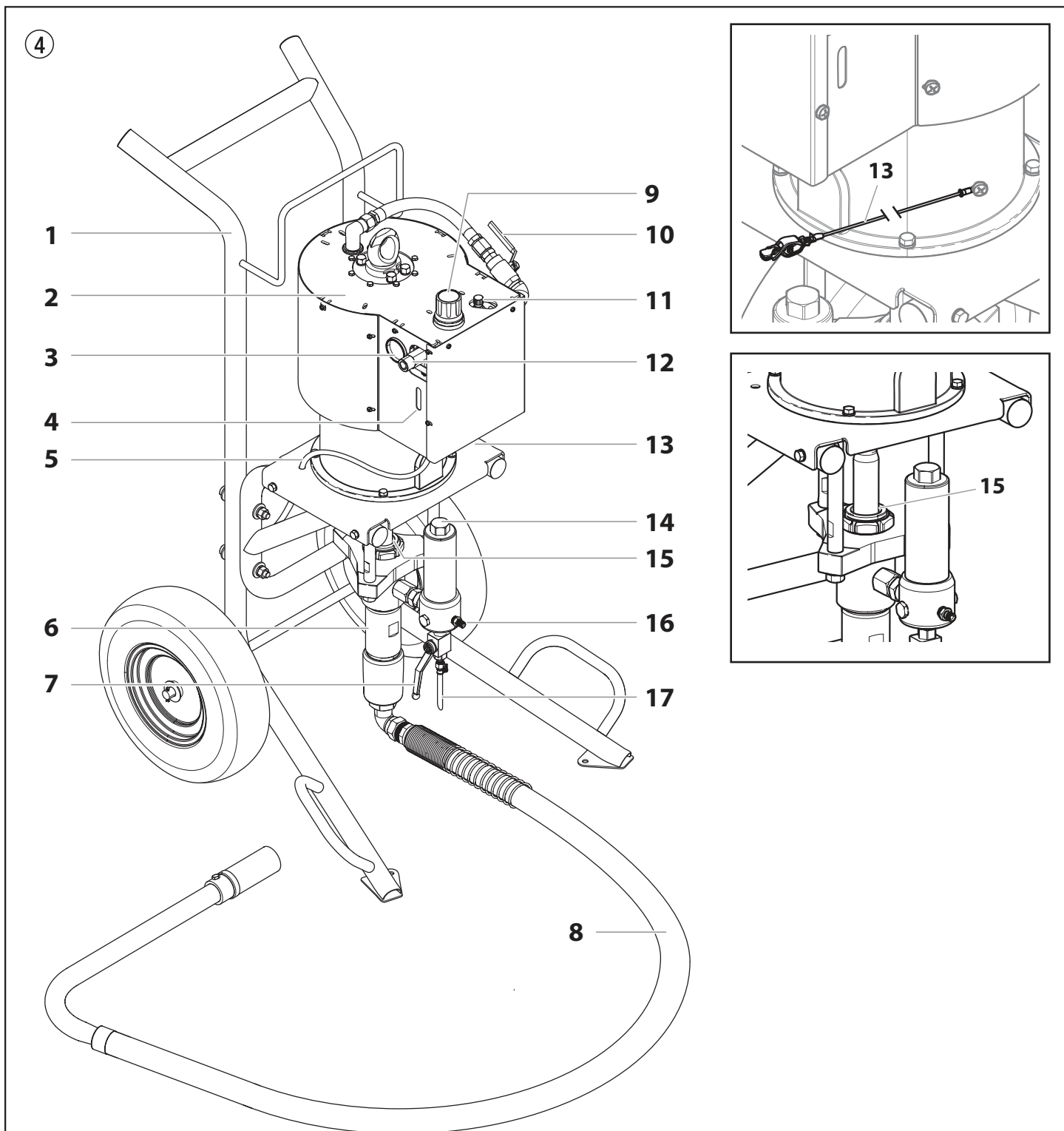
Durch die Aufwärtsbewegung des Kolbens öffnet das Einlassventil selbstständig. Bei der Abwärtsbewegung des Kolbens öffnet das Auslassventil.

Der Beschichtungsstoff strömt unter hohem Druck durch den Hochdruckschlauch zur Spritzpistole. Bei Austritt aus der Düse zerstäubt der Beschichtungsstoff.



3.3 Erklärungsbild PowrCoat

- | | | | | | |
|---|------------------------------------|----|------------------------------|----|---------------------------------|
| 1 | Wagen (Nur Wagenmodell) | 7 | Entlüftungsventil | 13 | Erdungskabel |
| 2 | Luftmotor | 8 | Ansaugschlauch | 14 | Hochdruckfilter |
| 3 | Manometer | 9 | Druckregler | 15 | Einfüllöffnung für Piston Lube™ |
| 4 | Luftfilter / Wasserabscheider | 10 | Absperrventil mit Entlüftung | 16 | Pulsationsdämpfer |
| 5 | Rücklaufschlauch der Druckluftöler | 11 | Automatischer Druckluftöler | 17 | Rücklaufschlauch |
| 6 | Flüssigkeitspumpe | | | | |



3.4 Technische Daten PowrCoat-Geräte

	PowrCoat 1045	PowrCoat 1064	PowrCoat 1072
Modellnummer			
Wagen	05331045C	05331064C	05331072C
Wandhalterung	05331045W	05331064W	05331072W
Druckverhältnis			
	45:1	64:1	72:1
max. Betriebsdruck			
	310 bar (4500 PSI)	441 bar (6400 PSI)	496 bar (7200 PSI)
max. Lufteingangsdruck			
	6,9 bar (100 PSI)	6,9 bar (100 PSI)	6,9 bar (100 PSI)
Zyklusrate pro Gallone / Liter			
	15 / 3,9	20 / 5,3	22,5 / 5,9
Volumen pro Doppehub (DH)			
	253,8 cc	188,5 cc	167,1 cc
max. Volumenstrom / Doppehub (DH)			
60 CPM	15,22 l/min	11,28 l/min	10,07 l/min
90 CPM	22,83 l/min	17,87 l/min	15,10 l/min
Flüssigkeitseinlass / Flüssigkeitsauslass			
Flüssigkeitseinlass	3/4" NPT (F)	3/4" NPT (F)	3/4" NPT (F)
Flüssigkeitsauslass	3/4" NPT (F)	3/4" NPT (F)	3/4" NPT (F)
Schlauchanschluss			
	3/8" NPSM (M)	3/8" NPSM (M)	3/8" NPSM (M)
Benötigte Luftmenge			
	43 SCFM (1,22 m³/min)	57,7 SCFM (1,63 m³/min)	64,9 SCFM (1,84 m³/min)
Lufteinlass			
	3/4" NPT (M)	3/4" NPT (M)	3/4" NPT (M)
max. Schalldruckpegel			
	98 dB*	98 dB*	98 dB*
Gewicht			
Wagen	88,4 kg	87,5 kg	88,0 kg
Wandhalterung	69,8 kg	68,9 kg	69,4 kg
max. Viskosität			
	50.000 mPa·s	50.000 mPa·s	50.000 mPa·s
Abmessungen L x H x B			
Wagen	85,09 cm x 79,63 cm x 136,90 cm	85,09 cm x 79,63 cm x 136,90 cm	85,09 cm x 79,63 cm x 136,90 cm
Wandhalterung	49,02 cm x 40,84 cm x 118,77 cm	49,02 cm x 40,84 cm x 118,77 cm	49,02 cm x 40,84 cm x 118,77 cm
max. Temperatur des Beschichtungsstoffs			
	71° C	71° C	71° C
Filtereinsatz (Standardausführung)			
	Filterfeinheit 60, 97 cm² (15 ln²)	Filterfeinheit 60, 97 cm² (15 ln²)	Filterfeinheit 60, 97 cm² (15 ln²)

* Messort: Abstand 1 m seitlich vom Gerät und 1,60 m über schallhartem Boden, 12 MPa (120 bar) Betriebsdruck.

4. Bedienung



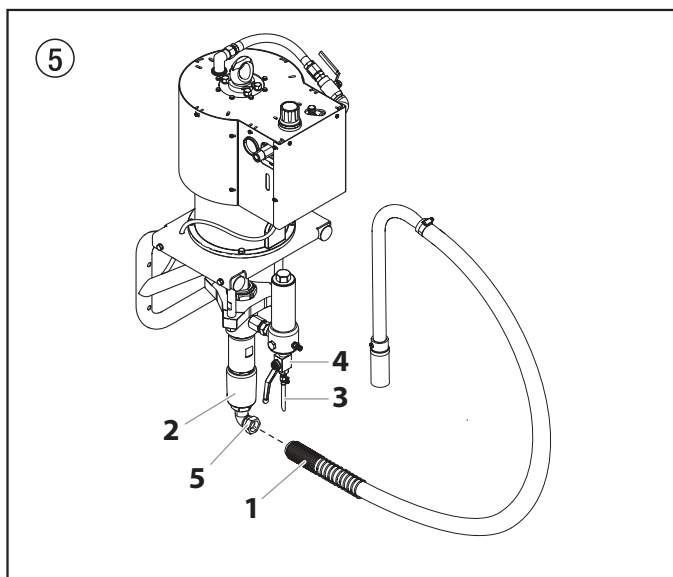
Dieses Gerät produziert einen Flüssigkeitsstrom bei extrem hohem Druck. Lesen Sie die Hinweise im Abschnitt über die Sicherheitsvorkehrungen am Anfang dieses Handbuchs gründlich, bevor Sie dieses Gerät benutzen.

4.1 Einrichtung

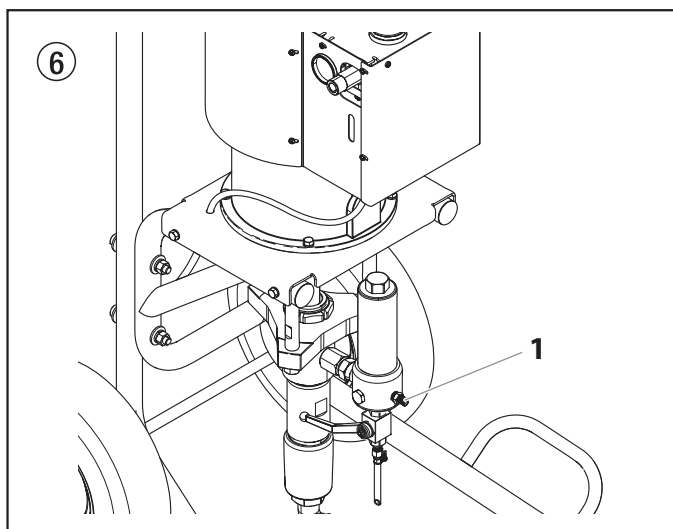
1. Vergewissern Sie sich, dass der Ansaugschlauch (Abb. 5, Pos. 1) an die Pumpeneinheit (2) angeschlossen ist und dass der Rücklaufschlauch (3) an das Rücklaufventil (4) angeschlossen ist. Am männlichen Ende beider Schläuche wurde von der Fabrik PTFE-Band angebracht und sie sollten fest angeschraubt werden.



Um den Saugschlauch auszurichten, lösen Sie den Drehring (5) und richten den Saugschlauch in die gewünschte Richtung aus.



2. Spritzpistole mit Umschalten des Abzugssicherheitsverschlusses zur Lock-Position abschließen (siehe Spritzpistolenanleitung)
3. Mit Schraubenschlüssel, einen mindestens 7,5 m langen, 9,5-mm luftlosen Nylonspritzschlauch an den Materienauslassanschluss (Abb. 6, pos. 1) der Pumpe befestigen. Der Schlauch ist am Anschluss sicher zu befestigen.



4. Die Ölschale zur Hälfte mit Piston Lube (Bestell-Nr. 314-480) füllen. Dadurch verlängert sich die Nutzungsdauer der Packungsdichtung.



Achtung

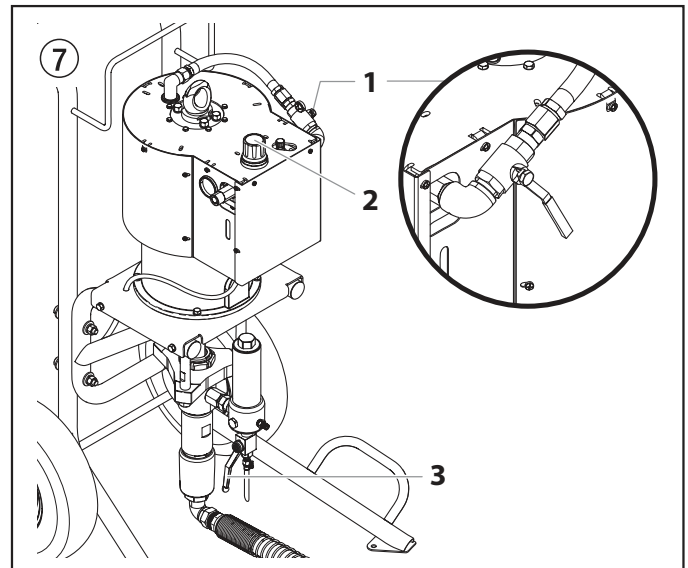
Piston Lube verhindert erhöhten Verschleiss der Packungen.

5. Überprüfen Sie, ob der Luftkompressor die erforderliche erbringt, um das Spritzgerät mit einer ausreichenden Luftmenge zu versorgen. Siehe den Abschnitt "Technische Daten" Abschnitt 3.4, um die Luftanforderungen festzulegen.

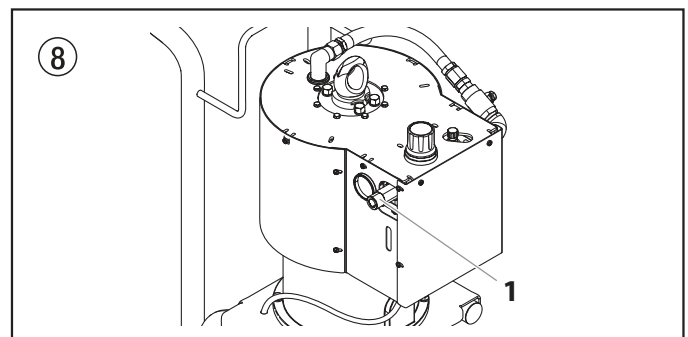


Die Anforderungen variieren je nach Modell.

6. Vor dem Anschluss des Kompressors an die Einheit müssen Sie die folgenden Schritte durchführen, um eine unbeabsichtigte Inbetriebnahme zu vermeiden:
 - a. Schließen Sie das Absperrventil (Abb. 7, Pos. 1). Die Abbildung zeigt den Griff in der geschlossenen Position.
 - b. Drehen Sie den Druckregler (2) voll gegen den Uhrzeigersinn auf die niedrigste Druckeinstellung.
 - c. Das Rücklaufventil (3) ganz nach links drehen, um es zu öffnen. Der Griff des Ablassschlauchs muss nach unten zeigen.



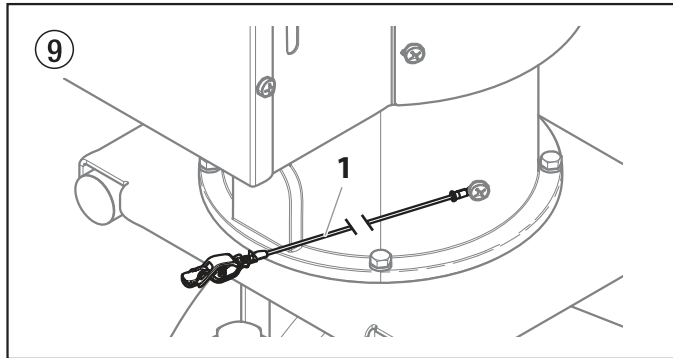
7. Entfernen Sie mithilfe eines Schraubenschlüssels den roten Stöpsel vom Luftschlauchanschluss (Abb. 8, Pos 1). Schließen Sie den Luftschlauch an und ziehen diesen mit dem Schraubenschlüssel fest. Alle Teile sind mit einem 3/4" NPT (M) Luftschlauchanschluss ausgestattet.





Eine richtige Erdung ist sehr wichtig. Beim Transport bestimmter Medien durch den Nylonschlauch entsteht eine elektrostatische Aufladung, die bei einer Entladung Lösungsmitteldämpfe entzünden und eine Explosion verursachen könnte.

8. Achten Sie darauf, dass das Spritzgerät geerdet ist. Alle Spritzgeräte sind mit einer Erdungsleitung ausgestattet (1). Befestigen Sie das Ende der Erdungsleitung an einem Erdungsanschluss.



9. Alle Farben vorfiltrern (z.B. mit einem Nylonfilter), um einen problemfreien Betrieb sicherzustellen und eine häufige Reinigung des Ansaugfilters und des Spritzpistolenfilters zu vermeiden.
10. Der Arbeitsbereich muss gut belüftet sein, um den gefährlichen Betrieb mit flüchtigen Lösungsmitteln oder Abgasen zu vermeiden.



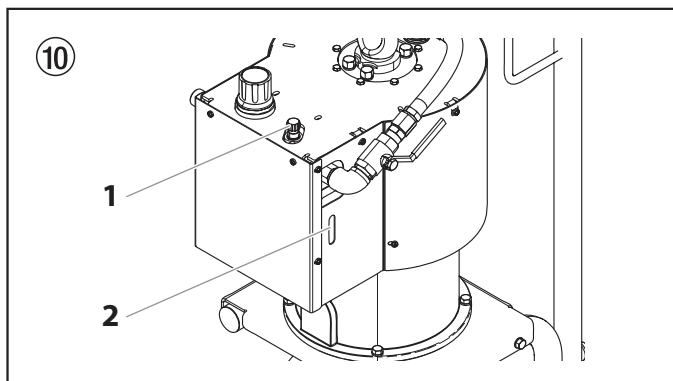
Muss ein Lack bzw. entzündbare Materialien gespritzt werden, muss der Luftkompressor IMMER außerhalb des unmittelbaren Spritzbereichs stehen. Bei nicht Einhaltung besteht Explosionsgefahr.

11. Positionieren Sie den Kompressor außerhalb des unmittelbaren Spritzbereichs, um zu vermeiden, dass die Lufteinlässe des Kompressors durch Farbspritzer verstopft werden.

4.2 Automatischer Druckluftöler

Der automatische Druckluftöler (Abb. 10, Pos. 1) sorgt für die Ölung der Luft, die dem System zugeführt wird. Dieser wird im Werk auf die korrekte Einspeisung eingestellt und darf erst verändert werden, wenn der Behälter mit dem Schmierstoff AirCare™ aufgefüllt werden muss. Überprüfen Sie den Stand durch die Öffnungen (2) in der Seite der Abdeckung des Druckluftmotors.

Nach dem Auffüllen des Behälters muss der automatische Druckluftöler neu eingestellt werden. Drehen Sie die Stellschraube (1) in Uhrzeigersinn, um die Einspeisung des AirCare™ Schmierstoffes zu erhöhen und gegen den Uhrzeigersinn, um diese zu verringern.



Überprüfen Sie die Einspeisung, indem Sie den Fluss durch die Öffnungen in der Seite der Abdeckung des Druckluftmotors beobachten.

- Der korrekte Durchfluss ist 1 Tropfen AirCare™ pro Minute.
- Bei kalten Temperaturen, wenn es zu Vereisung kommen kann, muss der Durchfluss erhöht werden.
- Die Einspritzmenge ist auf 1 Tropfen/30 Sek. eingestellt.

4.3 Vorbereitung eines neuen Spritzgeräts

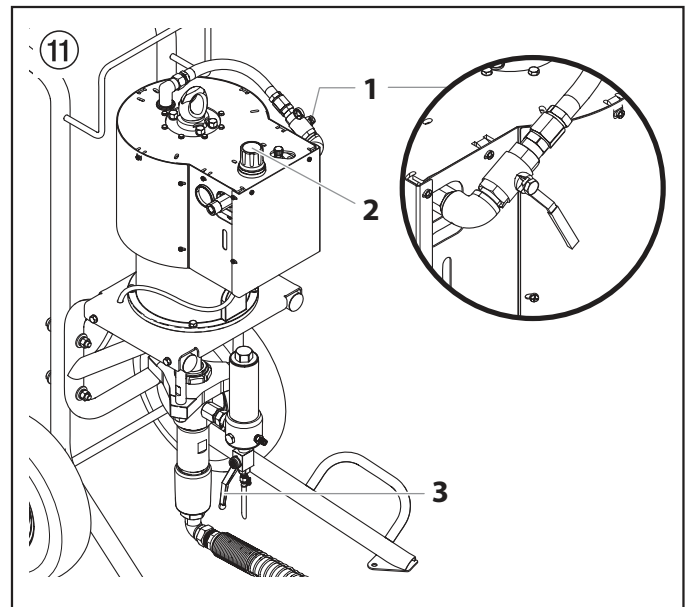
Ist das Spritzgerät neu, wird es mit Testflüssigkeit im Flüssigkeitsbehälter ausgeliefert, um eine Korrosion während der Lieferung und Lagerung zu vermeiden. Diese Testflüssigkeit muss mit Reinigungsmittel gründlich aus dem System entfernt werden, bevor mit den Spritzarbeiten begonnen wird.



Achtung

Den Abzug der Spritzpistole stets verriegelt lassen, während das System auf die Inbetriebnahme vorbereitet wird.

1. Den den Ansaugschlauch in einen Behälter mit Spiritus hängen.
2. Stellen Sie einen Metallbehälter unter den Ablaufschlauch.
3. Schließen Sie das Absperrventil (Abb. 11, Pos. 1). Die Abbildung zeigt den Griff in der geschlossenen Position.
4. Schalten Sie den Luftkompressor ein.
5. Drehen Sie den Druckregler (2) voll gegen den Uhrzeigersinn auf die niedrigste Druckeinstellung.
6. Das Rücklaufventil (3) ganz nach links drehen, um es zu öffnen. Der Griff des Ablassschlauchs muss nach unten zeigen.



7. Öffnen Sie das Absperrventil (1). Der Griff muss nun parallel zum Ventil stehen.
8. Drehen Sie den Druckregler (2) im Uhrzeigersinn, um den Druck zu erhöhen, bis die Pumpe gleichmäßig läuft und die Lösung frei aus dem Rücklaufschlauch fließt.
9. Das Spritzgerät 15–30 Sekunden laufen lassen, um die Testflüssigkeit aus dem Rücklaufschlauch in den Metallbehälter zu spülen.
10. Das Spritzgerät abschalten.
 - a. Drehen Sie den Druckregler voll gegen den Uhrzeigersinn auf die niedrigste Druckeinstellung.
 - b. Schließen Sie das Absperrventil.

4.4 Vorbereitungen für das Spritzen

Es ist wichtig, vor dem Spritzen darauf zu achten, dass die Flüssigkeit im System kompatibel ist mit dem Material, das verwendet werden soll.



Wenn Flüssigkeit und Farbe inkompatibel sind, können die Ventile verkleben, so dass die Pumpeneinheit des Spritzgeräts zerlegt und gereinigt werden muss.



Achtung

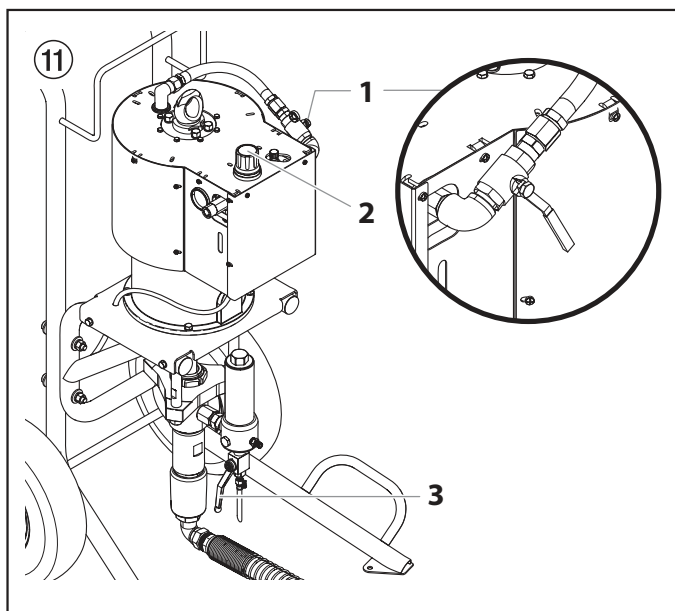
Den Abzug der Spritzpistole stets verriegelt lassen, während das System auf die Inbetriebnahme vorbereitet wird.

- Den den Ansaugschlauch in einen Behälter mit dem geeigneten Lösungsmittel hängen.



Beim Sprühen von wasserverdünnten Latex-dispersionen mit warmem sauberem Wasser spülen. Bei Verarbeitung anderer Farben beim Hersteller der Farbe ein geeignetes Lösungsmittel erfragen.

- Stellen Sie einen Metallbehälter unter den Ablaufschlauch.
- Schließen Sie das Absperrventil (Abb. 11, Pos. 1). Die Abbildung zeigt den Griff in der geschlossenen Position.
- Schalten Sie den Luftkompressor ein.
- Drehen Sie den Druckregler (2) voll gegen den Uhrzeigersinn auf die niedrigste Druckeinstellung.
- Das Rücklaufventil (3) ganz nach links drehen, um es zu öffnen. Der Griff des Ablassschlauchs muss nach unten zeigen.



- Öffnen Sie das Absperrventil (1). Der Griff muss sich nun parallel zum Ventil stehen.
- Drehen Sie den Druckregler (2) im Uhrzeigersinn, um den Druck zu erhöhen, bis die Pumpe gleichmäßig läuft ist und die Lösung frei aus dem Rücklaufschlauch fließt.
- Das Spritzgerät 15–30 Sekunden laufen lassen, um die Testflüssigkeit aus dem Rücklaufschlauch zu spülen und in den leeren Metallbehälter zu spülen.
- Das Spritzgerät abschalten.
 - Drehen Sie den Druckregler voll gegen den Uhrzeigersinn auf die niedrigste Druckeinstellung.
 - Schließen Sie das Absperrventil.



Die Spritzpistole darf noch nicht mit einem Düsenschutz oder einer Düse versehen sein.

- Schliessen Sie das Rücklaufventil, indem Sie es voll im Uhrzeigersinn drehen. Der Handgriff des Ablassschlauchs muss horizontal stehen.
- Öffnen Sie das Absperrventil (1). Der Griff muss nun parallel zum Ventil stehen. Das System steht nun unter Druck.
- Drehen Sie den Luftregler im Uhrzeigersinn, um den Druck zu erhöhen, bis ein gleichmäßiges Spritzen erreicht wird. Die Anzeige des Luftreglers sollte zwischen 4 - 5,5 bar (60 - 80 PSI) liegen.

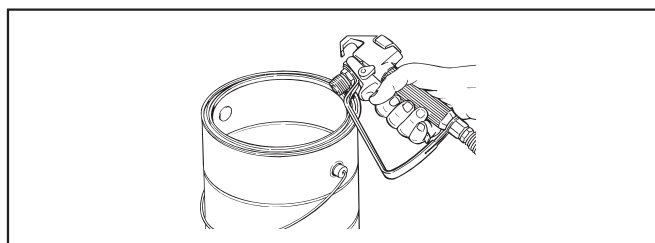


Der Luftregler kann durch das Herunterdrücken des Knopfes arretiert werden. Entriegeln Sie den Regler, indem Sie den Knopf herausziehen.

- Die Spritzpistole entriegeln. Dazu die Verriegelung des Spritzpistolenabzugs in die entriegelte Stellung bringen.



Die Spritzpistole gegen die Kante eines Metallbehälters drücken, um sie während der Spülung zu erten. Anderenfalls können sich elektrostatische Aufladungen bilden, die Brände verursachen können.



- Den Abzug ziehen und in den Metallbehälter sprühen, bis das alte Lösungsmittel entfernt ist und frisches Lösungsmittel austritt.
- Die Spritzpistole verriegeln. Dazu die Verriegelung des Spritzpistolenabzugs in die verriegelte Stellung bringen.



GEFAHR EINER FLÜSSIGKEITSINJEKTION

Bitte siehe Handbuch zur Spritzpistole für Fragen hinsichtlich des Spermmechanismus und wie die Spritzpistole zu sperren ist.

- Setzen Sie die Spritzpistole ab und erhöhen sie den Druck, indem Sie den Luftregler langsam in Uhrzeigersinn auf maximal 6,9 bar (100 PSI) drehen.



Die Anzeige des Reglers DARF NICHT mehr als 6,9 bar (100 PSI) anzeigen.

- Die gesamte Anlage auf Leckstellen kontrollieren. Werden Leckstellen festgestellt, die Schritte zur „Druckentlastung“, wie in dieser Bedienungsanleitung beschrieben, ausführen, bevor Schläuche oder Verschraubungen festgezogen werden.
- Vor dem Wechsel von Lösungsmittel auf Farbe die in dieser Bedienungsanleitung beschriebenen Schritte zur „Druckentlastung“ (Sektion 4.6) ausführen.



Bei Außerbetriebnahme des Spritzgeräts die Schritte für die Druckentlastung genau einhalten. Dies gilt auch für die Einstellung von Teilen oder Wartungsarbeiten an Teilen der Spritzanlage, für die Reinigung oder den Wechsel von Sprühdüsen und für die Vorbereitung auf die Reinigung.

4.5 Spritzvorgang

- Den den Ansaugschlauch in einen Farbbehälter hängen.
- Den Rücklaufschlauch in einen leeren Metallbehälter hängen.
- Schließen Sie das Absperrventil (Abb. 11, Pos. 1). Die Abbildung zeigt den Griff in der geschlossenen Position.
- Schalten Sie den Luftkompressor ein.

5. Drehen Sie den Druckregler (2) voll gegen den Uhrzeigersinn auf die niedrigste Druckeinstellung.
6. Das Rücklaufventil ganz nach links drehen, um es zu öffnen. Der Griff des Ablassschlauchs muss nach unten zeigen.
7. Öffnen Sie das Absperrventil (1). Der Griff muss nun parallel zum Ventil stehen.
8. Drehen Sie den Druckregler (2) im Uhrzeigersinn, um den Druck zu erhöhen, bis die Pumpe gleichmäßig läuft und das Spritzmaterial frei aus dem Rücklaufschlauch fließt.
9. Das Spritzgerät abschalten.
 - a. Drehen Sie den Druckregler voll gegen den Uhrzeigersinn auf die niedrigste Druckeinstellung.
 - b. Schließen Sie das Absperrventil.
10. Den Rücklaufschlauch aus dem Metallbehälter nehmen und in den Behälter mit Spritzmaterial hängen.
11. Das Rücklaufventil ganz nach rechts drehen.
12. Öffnen Sie das Absperrventil. Der Griff muss nun parallel zum Ventil stehen.
13. Drehen Sie den Luftregler im Uhrzeigersinn, um den Druck zu erhöhen, bis die Pumpe gleichmäßig läuft. Die Anzeige des Luftreglers sollte zwischen 4 - 5,5 bar (60 - 80 PSI) liegen.
14. Die Spritzpistole entriegeln. Dazu die Verriegelung des Spritzpistolenabzugs in die entriegelte Stellung bringen.



Die Spritzpistole gegen die Kante eines Metallbehälters drücken, um sie während der Spülung zu erden. Anderenfalls können sich elektrostatische Aufladungen bilden, die Brände verursachen können.

15. Den Abzug ziehen und in den Metallbehältersprühen, bis Lösungsmittel und Luft komplett aus dem Sprühschlauch entfernt sind und die Farbe aus der Spritzpistole austritt.
16. Die Spritzpistole verriegeln. Dazu die Verriegelung des Spritzpistolenabzugs in die verriegelte Stellung bringen.
17. Schließen Sie das Absperrventil (Abb. 11, Pos. 1). Die Abbildung zeigt den Griff in der geschlossenen Position.
18. Den Düsenschutz und die Düse an der Spritzpistole anbauen. Dabei die Hinweise in den Bedienanleitungen für Düsenschutz und Düse beachten.



GEFAHR EINER FLÜSSIGKEITSINJEKTION Keine Spritzarbeiten ohne den Düsenschutz durchführen. Den Abzug der Spritzpistole nur betätigen, wenn der Düsenschutz entweder in der Spritzposition oder in der Position zur Düsenreinigung steht. Den Spritzpistolenabzug immer verriegeln, bevor die Düse entfernt, ersetzt oder gereinigt wird.

19. Öffnen Sie das Absperrventil (1). Der Griff muss nun parallel zum Ventil stehen.
20. Erhöhen Sie den Druck, indem Sie den Luftregler langsam im Uhrzeigersinn drehen, und probieren Sie das Spritzmuster auf einem Stück Pappe aus. Stellen Sie den Regler entsprechend ein, bis das Material, das aus der Spritzpistole kommt, vollständig zerstäubt wird. Überprüfen Sie den Druck mit dem Manometer.
 - Der Druck des Materials ist direkt proportional zur Menge des Luftdrucks
 - **Beispiel:** PowrCoat 45:1
100 PSI auf dem Manometer = 4500 PSI (310 bar) am Materialausgang



Die Anzeige des Reglers DARF NICHT mehr als 6,9 bar (100 PSI) anzeigen.

21. Sobald der korrekte Luftdruck eingestellt wurde, arretieren Sie den Luftregler, indem Sie den Knopf herunterdrücken.



Das Spritzen mit einem höheren Druck als erforderlich, verschleißt nur die Düsen. Beachten Sie die Angaben des Hersteller des Spritzmaterials. Fragen Sie den Hersteller des Spritzmaterials im Hinblick auf die Richtlinien für die Bestimmung des korrekten Luftdrucks.

4.6 Vorgehensweise bei Druckentlastung

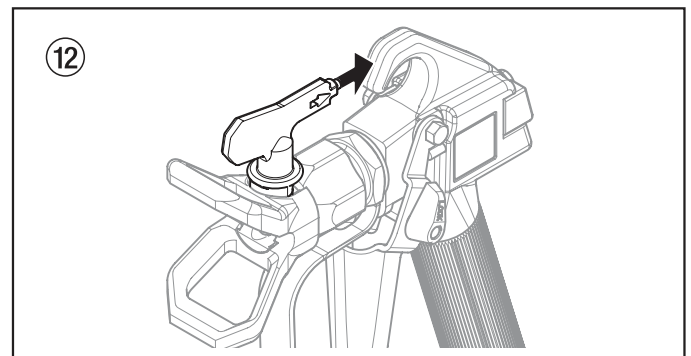


Bei Außerbetriebnahme des Spritzgeräts die Schritte für die Druckentlastung genau einhalten. Dies gilt auch für die Einstellung von Teilen oder Wartungsarbeiten an Teilen der Spritzanlage, für die Reinigung oder den Wechsel von Sprühdüsen und für die Vorbereitung auf die Reinigung.

1. Die Spritzpistole verriegeln. Dazu den Spritzpistolenabzug in die verriegelte Stellung bringen.
2. Schließen Sie das Absperrventil.
3. Das Ablassventil ganz nach links drehen, um es zu öffnen.
4. Die Spritzpistole entriegeln.
5. Das Metall der Spritzpistole fest auf die Seitenwand eines Metallabfallbehälters drücken, um die Spritzpistole zu erden und elektrostatische Aufladungen zu vermeiden.
6. Den Abzug der Spritzpistole drücken, um eventuell noch im Schlauch vorhandenen Druck abzubauen.
7. Die Spritzpistole verriegeln. Dazu die Verriegelung des Spritzpistolenabzugs in die verriegelte Stellung bringen.

4.7 Eine verstopfte Düse reinigen

1. Befolgen Sie die Anweisungen zur Druckentlastung, wie im Abschnitt 4.6 dieses Handbuchs beschrieben.
2. Wenn die Düse verstopft ist, rotieren Sie die Düse um 180° bis der Pfeil auf der Düse in die gegengesetzte Richtung zur Spritzrichtung zeigt und der Halter in die umgekehrte Position einklinkt.



3. Lösen Sie die Spritzpistole einmal aus, um die Verstopfung zu entfernen. Abzugsbügel nur **kurz** ziehen, wenn die Düse umgedreht ist. Diese Prozedur kann so oft wiederholt werden, bis die Düse nicht mehr verstopft ist.



Das Material tritt unter hohem Druck aus der Spritzdüse aus. Kontakt zu einem Körperteil kann gefährlich sein. Keinen Finger an die Düse legen. Die Spritzpistole nie auf eine Person richten. Die Spritzpistole nie ohne die richtige Düsen-Schutzabdeckung bedienen.

5. Reinigung



Achtung

Das Spritzgerät, der Schlauch und die Spritzpistole müssen jeden Tag gründlich gereinigt werden, Geschieht dies nicht, kann sich die Farbe absetzen und die Leistung des Gerätes erheblich beeinträchtigen.



Immer mit möglichst niedrigem Druck sprühen, wenn der Düsenschutz der Spritzpistole nicht montiert ist und das Spritzgerät, der Schlauch oder die Spritzpistole mit Spiritus oder anderen Lösungsmittel gereinigt werden. Elektrostatische Aufladungen können zu Bränden oder Explosionen führen, wenn entzündliche Dämpfe vorhanden sind.

5.1 Besondere Reinigungshinweise bei Verwendung entflammbarer Lösungsmittel

- Die Spritzpistole stets im Freien und möglichst eine Schlauchlänge von der Sprühpumpe entfernt spülen.
- Werden die zur Spülung verwendeten Lösungsmittel in einem Metallbehälter von etwa 4 l Fassungsvermögen aufgefangen, diesen in einen Behälter mit einem Fassungsvermögen von etwa 20 l stellen und erst dann weiter spülen.
- Im Arbeitsbereich dürfen sich keine entzündlichen Dämpfe sammeln.
- Alle Reinigungshinweise beachten.

5.2 Reinigung des Spritzgerätes

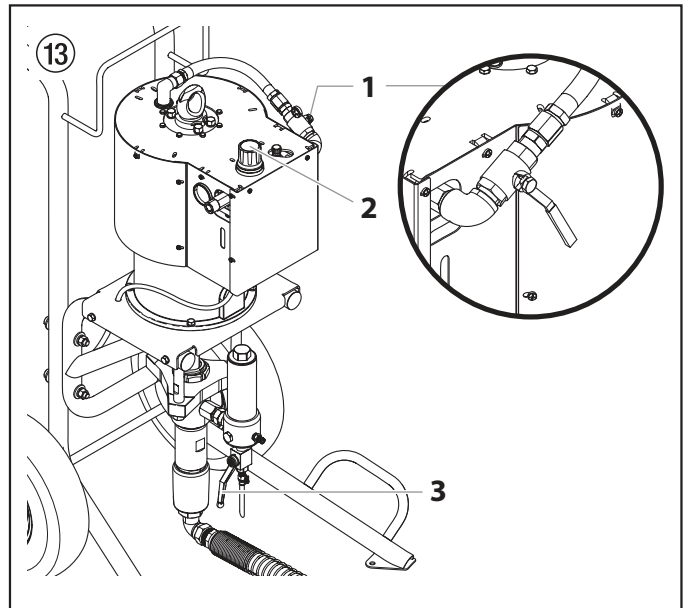
1. Die in dieser Bedienungsanleitung im Abschnitt Betrieb beschriebenen Schritte zur „Druckentlastung“ ausführen (Abschnitt 4.6).
2. Düse und Düsenschutz abbauen und mit einem Pinsel und einem geeigneten Lösungsmittel reinigen.
3. Den Ansaugschlauch in einen Behälter mit dem geeigneten Lösungsmittel hängen.



Achtung

Bei der Entfernung von Lackfarben auf Ölbasis, Lacken, Steinkohlenteer und Epoxidharzen nur kompatible Lösungsmittel verwenden. Lassen Sie sich vom Hersteller ein geeignetes Lösungsmittel empfehlen.

4. Stellen Sie einen Metallbehälter unter den Ablaufschlauch.
5. Schließen Sie das Absperrventil (Abb. 13, Pos. 1). Die Abbildung zeigt den Griff in der geschlossenen Position.
6. Schalten Sie den Luftkompressor ein.
7. Drehen Sie den Druckregler (2) voll gegen den Uhrzeigersinn auf die niedrigste Druckeinstellung.
8. Das Rücklaufventil (3) ganz nach links drehen, um es zu öffnen. Der Griff des Ablassschlauchs muss nach unten zeigen.



9. Öffnen Sie das Absperrventil (1). Der Griff muss nun parallel zum Ventil stehen.
10. Das Lösungsmittel durch das Spritzgerät zirkulieren lassen und das Spritzmaterial über den Rücklaufschlauch in einen Metallbehälter entleeren und spülen.
11. Schließen Sie das Absperrventil (Abb. 13, Pos. 1). Die Abbildung zeigt den Griff in der geschlossenen Position.
12. Das Rücklaufventil ganz nach rechts drehen.
13. Öffnen Sie das Absperrventil (Abb. 13, Pos. 1). Der Griff muss nun parallel zum Ventil stehen.



Die Spritzpistole gegen die Kante eines Metallbehälters drücken, um sie während der Spülung zu erden. Anderenfalls können sich elektrostatische Aufladungen bilden, die Brände verursachen können.

14. Den Abzug ziehen und in den Metallbehälter sprühen, bis die Farbe aus dem Schlauch gespült ist und nur noch Lösungsmittel aus der Spritzpistole austritt.
15. Die ausgelöste Spritzpistole weiter in den Behälter halten, bis nur noch sauberes Lösungsmittel aus der Spritzpistole austritt.



Zur längeren Lagerung oder zur Lagerung bei kalter Witterung das gesamte System mit Konservierungsmittel füllen.

16. Vor dem Wechsel von Lösungsmittel auf Farbe die in dieser Bedienungsanleitung beschriebenen Schritte zur „Druckentlastung“ ausführen.
17. Das Sprühgerät an einem trockenen, sauberen Ort aufbewahren.



Achtung

Das Spritzgerät nicht unter Druck lagern.

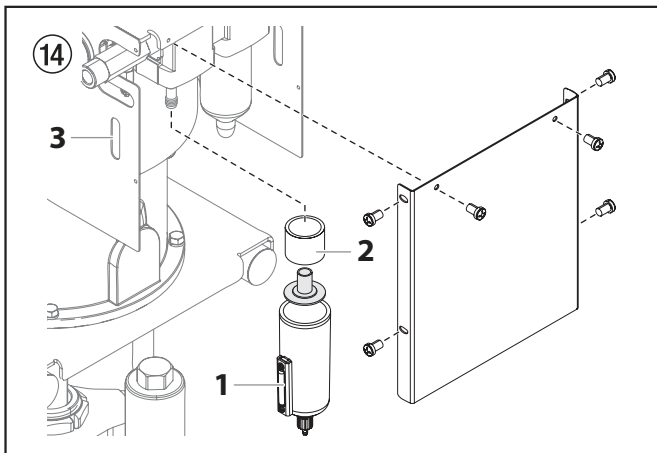
5.3 Reinigung des Luftfilters

Der Luftfilter blockiert Schmutz oder Partikel, die sich in der Luft vom Luftkompressor befinden. Es ist wichtig, dass dieser Filter nach jeder Benutzung überprüft wird.

1. Die in dieser Bedienanleitung im Abschnitt Betrieb beschriebenen Schritte zur „Druckentlastung“ ausführen (Abschnitt 4.6).
2. Entfernen Sie die sechs Schrauben, die die vordere Abdeckung befestigen. Entfernen Sie die vordere Abdeckung.
3. Schrauben Sie das Filtergehäuse (1) ab, das sich unterhalb der Druckluftmotorabdeckung befindet.
4. Entfernen und überprüfen Sie den Filter (2) im Behälter. Reinigen Sie diesen bei Bedarf mit warmem Seifenwasser.
5. Setzen Sie den Filter erneut in das Gehäuse ein. Schrauben Sie das Gehäuse wieder an seinen Platz unterhalb der Motorenabdeckung.



Wurde das Filtergehäuse korrekt ausgetauscht, so muss der „oben“ Pfeil (▲) im Schauglas (3) sichtbar sein.



6. Wartung



Bevor Sie fortfahren, befolgen Sie die Richtlinien zum Druckentlastungsablauf, wie vorherig in diesem Handbuch beschrieben. Dazu befolgen Sie alle anderen Warnungen, um das Risiko einer Injektionsverletzung, Verletzungen verursacht durch bewegliche Teile oder eines elektrischen Schlages zu vermeiden. Vor der Wartung, das Spritzgerät abstellen!

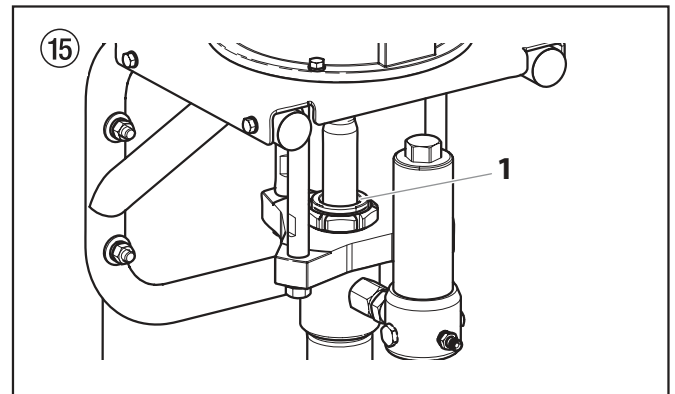
6.1 Tägliche Wartung

Für dieses Spritzgerät sind täglich zwei routinemässige Wartungsarbeiten erforderlich:

- A. Die oberen Dichtungen einfetten.
- B. Den Ansaugfilter reinigen.

A) Die oberen Dichtungen einfetten

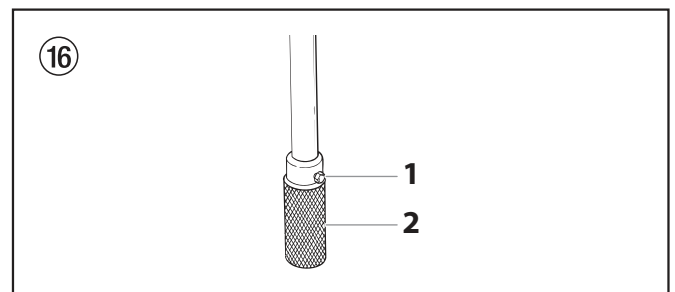
1. Falls Farbe über die Dichtungen herausgedrungen ist und in die Schmierbüchse (Abb. 15, Pos. 1) über dem Flüssigkeitsbereich gesickert ist diese entfernen.
2. Die Schmierbüchse zur Hälfte mit dem mitgelieferten Piston Lube (P/N 314-480) welches von der Fabrik geliefert wird, auffüllen. Dies verlängert die Lebensdauer der Dichtungen.



Die Schmierbüchse nicht überfüllen, so dass kein Öl in die Farbe tropft.

B) Den Ansaugfilter reinigen

1. Der Ansaugfilter kann verstopfen und muss mindestens einmal täglich gereinigt werden.
2. Die Mutter (Abb. 16, Pos. 1) mit der Ansaugfilter am Ansaugschlauch befestigt ist lösen.
3. Den Ansaugfilter (2) vom unteren Teil des Ansaugschlauches entfernen.
4. Mit geeignetem Lösungsmittel gründlich reinigen.



6.2 Wartung des Hochdruckfilter

Die Filter regelmässig reinigen. Verschmutzte oder verstopfte Filter können die Filtrierung behindern und eine Reihe von Systemprobleme, wie schwache Spritzmuster, verstopfte Spritzdüsen etc. auslösen.

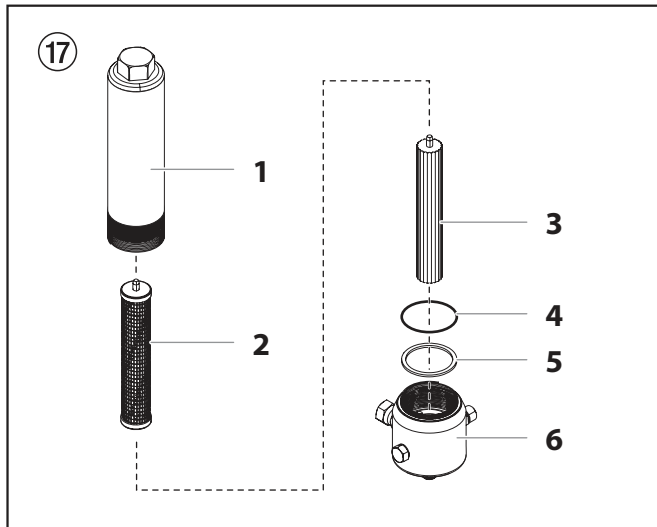
Reinigung (Abb. 17)

1. Befolgen Sie die Anweisungen zur Druckentlastung, wie im Abschnitt 4.6 dieses Handbuchs beschrieben.
2. Den Filterdeckel (1) entfernen.
3. Den Filtereinsatz (2) mit Stützung (3) gerade aus dem Filtergehäuse (6) herausheben.
4. Die Innenseite des Filtergehäuses, den Filtereinsatz mit Stützung und den Filterdeckel mit einem geeigneten Lösungsmittel reinigen.



Die Teile mit Sorgfalt behandeln, da die O-Ringe durch Schmutz, Ablagerungen, Kratzer und Kerben nicht richtig dichten könnten.

Dieses Filterelement filtert von außen nach innen. Deshalb muss der Filtereinsatz innen gründlich gereinigt werden. Den Filtereinsatz im Lösungsmittel einweichen um gehärtete Farbe zu lösen oder ihn ersetzen.



Inspektion (Abb. 17)

Alle Teile des Hochdruckfilters vor dem Zusammenbau überprüfen.

1. Die Stützung innerhalb des Filtereinsatzes überprüfen. Wenn die Stützung Druckschnitte oder -kratzer aufweist muss der Filtereinsatz ersetzt werden.
2. Überprüfen Sie die beiden PTFE-dichtungen (4, 5) auf Verformung, Kerben oder Einschnitte. Tauschen Sie diese bei Bedarf aus.

Zusammenbau (Abb. 17)

Nach der Reinigung und Überprüfung aller Teile den Filter wieder einbauen.

1. Den Filtereinsatz (2) mit Stützung (3) in das Filtergehäuse (6) setzen.
2. Die dünne PTFE-dichtung (5) auf den Absatz am oberen Ende des Filtergehäuses (6) legen.
3. Setzen Sie den PTFE-O-Ring (4) in die Nut der Unterseite des Filtergewindes (6).
4. Den Filterdeckel (1) am Filtergehäuse (6) anziehen.

6.3 Unterhalt des Luftmotor

Druckluftmotoren erfordern eine reguläre Wartung und Instandhaltung nach 1500 Betriebsstunden. Zu den Instandhaltungsmaßnahmen gehört das Auswechseln des Motor-Service-Kits. Es wird empfohlen, dass der Motor-Service-Kit für normale Wartungs- und Notfallreparaturen verfügbar ist. Überprüfen Sie die Spezifikationen des individuellen Modells im Hinblick auf die korrekte Teilenummer.

6.4 Wartung der Pumpeneinheit

Wenn das Spritzgerät für eine längere Zeit nicht in Gebrauch ist, wird empfohlen, dass nach der Reinigung eine Liquid Shield™ als Konservierungsmittel eingesetzt wird. Dichtungen können infolge Nichtgebrauch austrocknen. Dies trifft im Speziellen auf die oberen Dichtungen, für die im Normalgebrauch die Wartung mit Piston Lube (P/N 314-480) empfohlen ist.

Wenn das Spritzgerät für eine längere Zeit nicht in Gebrauch ist, kann es nötig werden, die Pumpe mit einem Lösungsmittel vorzuspülen. Es ist enorm wichtig, dass die Gewinde der Ansaugschlauchkupplung richtig abgedichtet sind. Jegliches Luftleck wird ungleichmässige Bedienung des Spritzgerätes zur Folge haben und kann das System beschädigen. Die Aufwärts- und Abwärtshübe sollten ungefähr gleich lang dauern (einer soll nicht schneller sein als der andere). Ein schneller Aufwärts- oder Abwärtshub kann darauf hinweisen, dass sich Luft im System befindet oder dass Ventile oder Sitze nicht richtig funktionieren (siehe „Fehlerbehebung“).

7. Fehlerbehebung

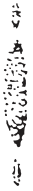
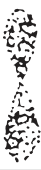



7.1 Spritzpistole

Problem	Grund	Lösung
A. Spuckende Spritzpistole	<ol style="list-style-type: none"> 1. Luft im System 2. Verschmutzte Spritzpistole 3. Nadelbaugruppe nicht mehr richtig eingestellt 4. Sitz ist zerbrochen oder angeschlagen 	<ol style="list-style-type: none"> 1. Verbindungen auf Luftleck überprüfen. 2. Zerlegen und reinigen. 3. Überprüfen und abstimmen. 4. Überprüfen und ersetzen.
B. Spritzpistole lässt sich nicht absperren	<ol style="list-style-type: none"> 1. Abgenutzte oder zerbrochene Nadel & Sitz 2. Nadelbaugruppe nicht mehr richtig eingestellt 3. Verschmutzte Spritzpistole 	<ol style="list-style-type: none"> 1. Ersetzen. 2. Abstimmen. 3. Reinigen.
C. Spritzpistole spritzt nicht	<ol style="list-style-type: none"> 1. Keine Farbe 2. Verstopfter Filter oder Düse 3. Zerbrochene Nadel in der Spritzpistole 	<ol style="list-style-type: none"> 1. Flüssigkeitsvorrat überprüfen. 2. Reinigen. 3. Ersetzen.
D. Unzureichende Materialzufuhr.	<ol style="list-style-type: none"> 1. Materialdruck zu niedrig eingestellt. 2. Blockierter Spritzpistolenfilter oder Hochdruckfilter der Pumpe. 3. Düse ist blockiert. 4. Düse ist zu klein. 	<ol style="list-style-type: none"> 1. Materialdruck an der Pumpe erhöhen. 2. Pumpenfilter reinigen bzw. austauschen und/oder Hochdruckfilter der Pumpe austauschen. 3. Düse reinigen. 4. Größere Düse auswählen
E. Schlechtes Sprühmuster.	<ol style="list-style-type: none"> 1. Düse ist zu groß. 2. Materialdruck an der Pumpe ist zu niedrig eingestellt. 3. Materialviskosität ist zu hoch. 4. Abgenutzte Düse. 	<ol style="list-style-type: none"> 1. Kleinere Düse auswählen. 2. Materialdruck an der Pumpe erhöhen. 3. Material entsprechend der Anweisungen des Herstellers verdünnen. 4. Durch neue Düse ersetzen.

7.2 Luftmotor

Problem	Grund	Lösung
A. Motor stoppt oben oder am unteren Totpunkt - Abluft entweicht nicht, wenn die Pistole offen ist.	<ol style="list-style-type: none"> 1. Kolbenstange ist an Anschluss zum Flüssigkeitsbereich lose. 2. Bedienungsfeder bzw. Ventilsfeder gebrochen. 3. Motor ist aufgrund kalter Witterung oder des Mangels an Schmierstoff eingefroren. 	<ol style="list-style-type: none"> 1. Anschluss festziehen. 2. Bei Bedarf überprüfen und austauschen. 3. Nicht detergentes SAE 30 Öl in den manuellen Öler füllen. Wenn der Zustand bleibt, Wasserabscheider und automatische Schmiervorrichtung montieren.
B. Motor stoppt, lässt Abluft entweichen, wenn die Pistole offen ist.	<ol style="list-style-type: none"> 1. Siehe oben. 2. Luftventil in Totpunktstellung 3. O-Ringe verschlissen oder beschädigt. 	<ol style="list-style-type: none"> 1. Siehe oben. 2. Entfernen Sie eine Arretierung der Bedienungsfeder, die Bedienungsfeder sowie die Kugel. Drücken Sie das Schieberventil nach oben oder unten, schmieren Sie es, bauen es wieder ein und starten erneut. 3. Installieren Sie den kleinen Service-Kit und befolgen Sie die Anweisungen im Handbuch im Abschnitt über die Allgemeine Wartung. <p>Wird Staub bzw. Schmutz im Inneren des Motors festgestellt, ist die Luftzufuhr auf Verunreinigungen zu überprüfen.</p>

7.3 Spritzmuster

Problem	Grund	Lösung
A. Schweif 	1. Mangelhafte Flüssigkeitszufuhr	1. Flüssigkeit zerstäubt nicht richtig: Flüssigkeitsdruck vergrößern. Düse mit einer kleineren Düse austauschen. Flüssigkeitsviskosität verringern. Schlauchlänge verringern. Spritzpistole und Filter reinigen. Anzahl Spritzpistolen, die von der Pumpe bedient werden reduzieren
B. Stundenglas 	1. Mangelhafte Flüssigkeitszufuhr	1. Gleich wie oben.
C. Verzerrt 	1. Verstopfte oder abgenutzte Düse	1. Düse reinigen oder ersetzen.
D. Muster ausgedehnt und zusammengedrückt (Schub) 	1. Ansaugleck 2. Pulsierende Flüssigkeitszufuhr	1. Ansaugschlauch auf Leck überprüfen. 2. Düse durch eine kleinere Düse ersetzen. Pulsschlagdämpfer im System installieren oder existierender Dämpfer ablassen. Anzahl Spritzpistolen die von der Pumpe bedient werden reduzieren. Beschränkungen im System beseitigen; Düsengitter reinigen wenn Filter benutzt wird.
E. Rundes Muster 	1. Abgenutzte Düse 2. Flüssigkeit zu dickflüssig für Düse	1. Düse ersetzen. 2. Druck erhöhen. Material verdünnen. Düse austauschen.

7.4 Flüssigkeitspumpe

Problem	Grund	Lösung
A. Pumpe gibt Farbe nur beim Aufwärtshub ab oder geht langsam aufwärts und schnell abwärts (üblicherweise auch downstroke dive genannt)	<ol style="list-style-type: none"> 1. Unterer Fussventilball kann sich nicht setzen, da entweder verschmutzt oder abgenutzt 2. Material ist zu dickflüssig um angesaugt zu werden. 3. Luft tritt an der Ansaugseite ein oder beschädigter Ansaugschlauch.. Der Syphon ist vielleicht zu klein für dickeres Material. 4. Obere Packungsmutter (falls vorhanden) ist lose bzw. sind die unteren Packungen verschlissen. 	<ol style="list-style-type: none"> 1. Fussventilbaugruppe entfernen. Reinigen und überprüfen. Fussventil testen indem es mit Wasser gefüllt wird; falls der Ball den Sitz nicht abdichtet, den Ball ersetzen. 2. Material verdünnen — Für die richtigen Verdünnungsverfahren den Hersteller kontaktieren. 3. Alle Verbindungen zwischen Pumpe und Farbbehälter festziehen. Falls beschädigt, ersetzen. Auf ein Syphonset mit grösserem Durchmesser wechseln. 4. Hilft das Festziehen der oberen Packungsmutter nichts, so sind die unteren Packungen auszuwechseln.
B. Pumpe gibt Farbe nur beim Abwärtshub ab oder geht schnell aufwärts und langsam abwärts	<ol style="list-style-type: none"> 1. Oberer Kugel kann sich nicht setzen, da entweder verschmutzt oder abgenutzt 2. Untere Dichtungen sind abgenutzt 	<ol style="list-style-type: none"> 1. Den oberen Sitz und Kugel mit Wasser testen. Falls die Kugel nicht abdichtet, den Sitz ersetzen. 2. Dichtungen ersetzen falls sie abgenutzt ist.
C. Pumpe bewegt sich schnell auf- und abwärts, gibt Farbe ab	<ol style="list-style-type: none"> 1. Materialkübel ist leer oder das Material ist zu dickflüssig um durch den Syphonschlauch zu fließen 2. Unterer Ball klebt an der Fussventilsitz 3. Syphonschlauch ist geknickt oder lose 	<ol style="list-style-type: none"> 1. Mit neuem Material auffüllen. Wenn es zu dickflüssig ist, den Syphonschlauch entfernen, Flüssigkeitsbereich in das Material eintauchen und Pumpe zum Grundieren anstellen. Verdüner dem Material beimischen. Auf ein grösseres Syphonset umstellen. Auslaufventil öffnen um Luft abzulassen und Pumpe neu starten. 2. Fussventil entfernen. Ball und Sitz reinigen. 3. Gerade legen.
D. Pumpe bewegt sich langsam auf- und abwärts wenn die Spritzpistole abgestellt ist	<ol style="list-style-type: none"> 1. Lose Verbindungen. Auslaufventil ist teilweise offen oder Auslaufventil ist abgenutzt. Unterer Dichtungssitz ist abgenutzt. 2. Oberer und/oder unterer Kugel setzt sich nicht 	<ol style="list-style-type: none"> 1. Alle Verbindungen zwischen Pumpe und Spritzpistole überprüfen. Wenn nötig festziehen. Falls Material aus dem Ablassschlauch läuft, Ablassventil schliessen oder wenn nötig ersetzen. Wenn keine der obenerwähnten Lösungen erforderlich ist, die untere Dichtung ersetzen. 2. Kugel neu setzen indem sie gereinigt werden.
E. Ungenügend Flüssigkeitsdruck in der Spritzpistole	<ol style="list-style-type: none"> 1. Spritzpistolendüse ist abgenutzt 2. Kompressor (nur luftbetriebene Einheiten) zu klein. Ausgangsfilter bzw. Pistole ist verunreinigt. 3. Tiefe Spannung und/oder unzureichende Stromstärke 4. Schlauchdurchmesser ist zu klein oder Schlauchlänge zu lang 	<ol style="list-style-type: none"> 1. Ersetzen. 2. Filter reinigen oder ersetzen. Geeignete Schlauchgröße und/oder Kompressorgöße empfehlen. 3. Elektrizitätsservice überprüfen. Wenn nötig korrigieren. 4. Schlauchdicke vergrössern um den Druckabfall im Schlauch zu vermindern und/oder Schlauchlänge verringern.
F. Pumpe klappert beim Aufwärts- oder Abwärtsstrich	<ol style="list-style-type: none"> 1. Lösungsmittel brachte obere Dichtung zum anschwellen 	<ol style="list-style-type: none"> 1. Untere Packungsmutter mit einer 1/4 Drehung zurückdrehen und Pumpe erneut starten. Bei Bedarf wiederholen.

8. Wartung

8.1 Wartung des Druckluftmotors

Der Druckluftmotor muss bei den nicht zirkulierenden Modellen alle 1500 Betriebsstunden.

Zur Wartung gehört das Auswechseln des Kleinen Motor-Service-Kits (Teilenummern siehe nächste Seite). Es wird empfohlen, dass ein Motor-Service-Kit für normale Wartungs- und Notfallreparaturarbeiten zur Verfügung steht. Teilenummern des Service-Kits siehe nächste Seite.

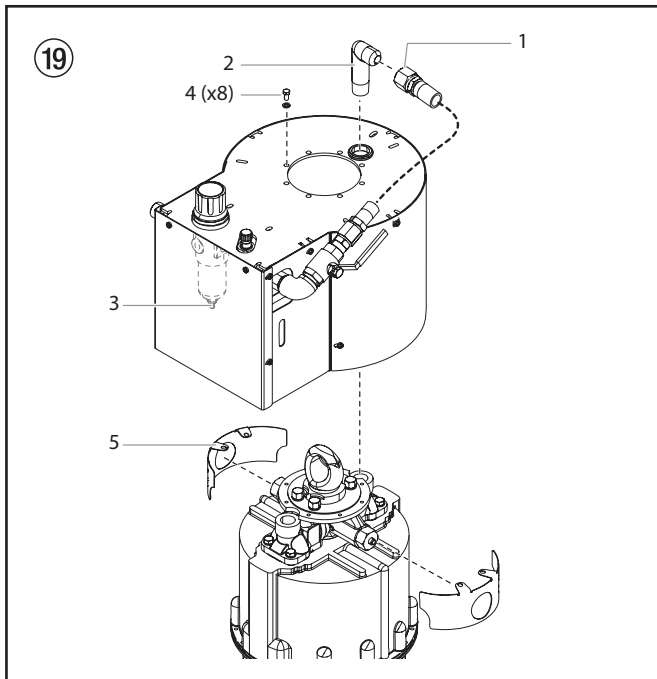
Zugriff auf den Druckluftmotor (Abb. 19)

Um auf den Druckluftmotor zugreifen zu können, müssen einige Komponenten entfernt werden.



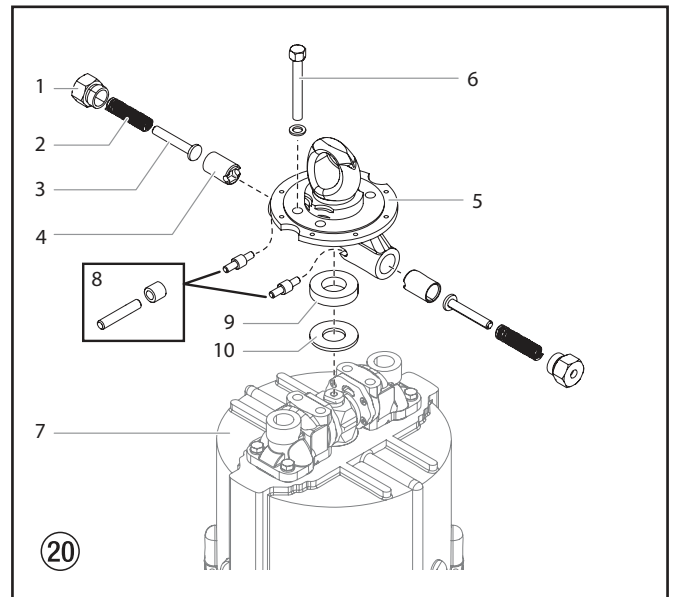
Die Kolbenstange in der Flüssigkeitspumpe muss sich am untersten mittleren Totpunkt befinden, bevor diese Schritte durchgeführt werden. Das Sperrventil kann verwendet werden, um das Spritzgerät langsam laufen zu lassen.

1. Entfernen Sie alle äußeren Luft- und Flüssigkeitsschläuche vom Spritzgerät.
2. Lösen Sie den Anschluss (1), der den Luftschlauch am Winkelanschluss (2) oben am Luftmotor befestigt.
3. Entfernen Sie unterhalb der vorderen Abdeckung den Schlauch für die saubere Luft (3), der an den Luftreglerbehälter angeschlossen ist.
4. Entfernen Sie die Schrauben (4) und Scheiben, die die Motorenabdeckung am Luftmotor befestigen. Wenn Sie diese entfernt haben, heben Sie die gesamte Baugruppe vom Luftmotor herunter.
5. Entfernen Sie die Seitenplatten (5) von allen Seiten des Luftmotors.



Demontage des Druckluftmotors

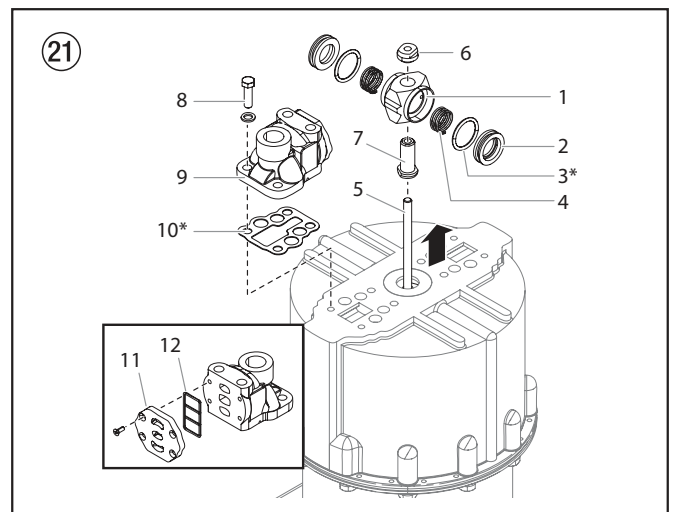
1. Schrauben Sie die Halterung der Feder (Abb. 20, Pos. 1) ab und entfernen Sie die Feder (2), die Führung (3) und Plunger (4) von beiden Seiten des Gehäuses der Rastvorrichtung (5). Überprüfen Sie alle Teile auf Verschleiß und Schäden.
2. Entfernen Sie die vier Bolzen (6) und Scheiben, die das Gehäuse der Rastvorrichtung (5) am Zylinder (7) befestigen.
3. Entfernen Sie die Achse und die Rollenbaugruppe (8) unterhalb des Gehäuses der Rastvorrichtung (5). Entfernen Sie die Achse von der Rolle und überprüfen Sie beide Teile.
4. Entfernen Sie die Gummiauflage (9) und die Unterlegscheiben (10).



5. Ziehen Sie das Gehäuse des Schieberventils (Abb. 21, Pos. 1) mit der Hand nach oben. Drehen Sie das Ventilgehäuse (1) um 90°, um die inneren Komponenten freizulegen.
6. Entfernen Sie das Ventil (2), den O-Ring (3) und die Feder (4) an beiden Seiten des Gehäuses des Schieberventils. Überprüfen Sie diese Teile und das Gehäuse des Schieberventils auf Verschleiß bzw. Schäden.
7. Schieben Sie das Gehäuse des Schieberventils (1) weiter nach oben. Greifen Sie mithilfe der Zange vorsichtig die Auslösestange (5). Achten Sie darauf, die Oberfläche der Stange nicht zu beschädigen. Halten Sie die Stange in Position. Entfernen Sie mithilfe eines Schraubenschlüssels die Auslösestangenmutter (6).
8. Entfernen Sie die Nabe (7) von der Auslösestange (5).
9. Entfernen Sie die Bolzen (8), die die Verteilerbaugruppe (9) am Zylinder befestigen. Entfernen Sie beide Verteilerbaugruppen (9) und die Dichtungen (10) vom Zylinder.
10. Überprüfen Sie die Platten (11) an beiden Verteilerbaugruppen. Tauschen Sie diese aus, wenn sie verschlissen oder beschädigt sind.



Wenn Sie eine der Platten austauschen (11), müssen Sie auch die Dichtscheibe der Ventilplatte (12) auswechseln. Entfernen Sie die Schrauben von der Platte, um die Platte vom Verteiler zu trennen.



11. Entfernen Sie die Gummiauflage (Abb. 22, Pos. 2) und die Scheibe (1) aus.
12. Entfernen Sie mithilfe eines Steckschlüssels das Lager (3) vom Zylinder. Entfernen Sie die Scheibe (4) und Packung (5).

13. Lösen und entferne Sie die Schrauben (6), die den Zylinder (7) am Motorenfuß (8) befestigen. Entfernen Sie vorsichtig den Zylinder.
14. Bringen Sie den Schraubenschlüssel bei abgesenktem Kolben (10) an den Flächen der Kolbenstange (9) an und trennen die Kolbenstange von der Pumpenverbindungsstange (11), indem Sie die Kopplungsmutter (12) abschrauben. Die Verbindungsstange (11) kann an der Schubstange des Flüssigkeitsabschnitts (13) befestigt bleiben.
15. Entfernen Sie die unteren Stützenmutter (14) und trennen Sie die Flüssigkeitspumpe vorsichtig von der Luftmotor-Baugruppe.
16. Entfernen Sie die Kolbenstange (9) und den Kolben (10) vom Motorenfuß (8). Achten Sie darauf, die O-Ringe des Kolbens (15) nicht zu beschädigen.
17. Befestigen Sie die Fläche des Kolbenstifts (16), die sich noch an der Kolbenstange befindet, in einem Schraubstock. Bringen Sie den Schraubenschlüssel an der Fläche der Kolbenstange (9) an. Lösen Sie die Kolbenstange vom Kolbenstift.
18. Entfernen Sie die Auslösestange (17) von der Kolbenstange (9). Überprüfen Sie die Kolbenstange auf Kerben bzw. Schäden. Eine beschädigte Kolbenstange kann nicht repariert und muss ausgewechselt werden.
19. Entfernen Sie die Packung (18) und die Scheibe (19).



Verwenden Sie beim Wiedereinbau alle Ersatzteile, die sich im Kit befinden. Tauschen Sie die anderen Teile bei Bedarf aus.

20. Überprüfen Sie die Oberfläche des Kolbens, der Kolbenstange und der Zylinderwand auf Kratzer bzw. Abnutzung. Eine beschädigte Kolbenstange verursacht starke Abnutzung an den Packungen und führt später zu Undichtigkeit.

Vorgehensweise beim Wiedereinbau (Abb. 22)

Waschen Sie alle austauschbaren Teile sorgfältig mit Reinigungsmittel ab und schmieren diese mit Lubri-Plate oder einem vergleichbaren nicht-wasserlöslichen Fett ein. Verwenden Sie bei der Routinewartung neue Teile vom Großen Druckluftmotor-Service-Kit (Teilenummern siehe nächste Spalte). Überprüfen Sie alle anderen Teile auf übermäßigen Verschleiß bzw. Schäden und tauschen diese bei Bedarf aus.

1. Bringen Sie eine neue Scheibe (19) und Packung (18) im Motorenfuß (8) an.
2. Bringen Sie die Auslösestange (17) in der Kolbenstange an (9).
3. Bringen Sie einen Schraubenschlüssel an der Fläche der Kolbenstange an (9). Schrauben Sie den Kolbenstift (16) in die Kolbenstange. Drehen Sie diesen mit einem Drehmoment von 456 - 504 ft.-lbs fest.
4. Bringen Sie einen neuen O-Ring (15) im Kolben (10) an.
5. Setzen Sie eine neue Dichtung (20) im Motorenfuß (8) ein.
6. Setzen Sie die Kolbenbaugruppe (9, 10) in den Motorenfuß (8) ein. Beschädigen Sie nicht den O-Ring (15).
7. Tauschen Sie die Packung (5), Scheibe (4) und das Lager (3) am Zylinder aus. Ziehen Sie das Lager mithilfe eines Steckschlüssels fest.
8. Senken Sie vorsichtig den Zylinder (7) auf den Motorenfuß (8) ab. Die Oberseite der Auslösestange (17) muss durch die Oberseite des Lochs herausragen.
9. Befestigen Sie den Zylinder mit den Zylinderschrauben (6).
10. Tauschen Sie die Gummiauflage (2) und die Scheibe (1) aus.
11. Bringen Sie den Schraubenschlüssel an der Fläche der Kolbenstange (9) an und verbinden die Pumpenverbindungsstange (13), indem Sie die Kupplungsmutter festziehen (12).
12. Schieben Sie die Flüssigkeitspumpe auf die Stützen (21) zurück und sichern diese mit den Stützenmutter (14).

Abbildung 21 -

13. Achten Sie darauf, dass die Verteilerdichtungen (10) sich korrekt auf dem Zylinder befinden. Setzen Sie die Verteilerbaugruppe (Abb. 21, Pos. 9) zurück auf den Zylinder und befestigen diese mit den Schrauben (8).
14. Setzen Sie die Nabe (7), Feder (4), O-Ring (3) und Feder (2) zurück auf das Gehäuse des Schieberventils (1).
15. Setzen Sie das Gehäuse des Schieberventils (1) im 90°-Winkel, wie in Abbildung 21 dargestellt, auf die Auslösestange (5).

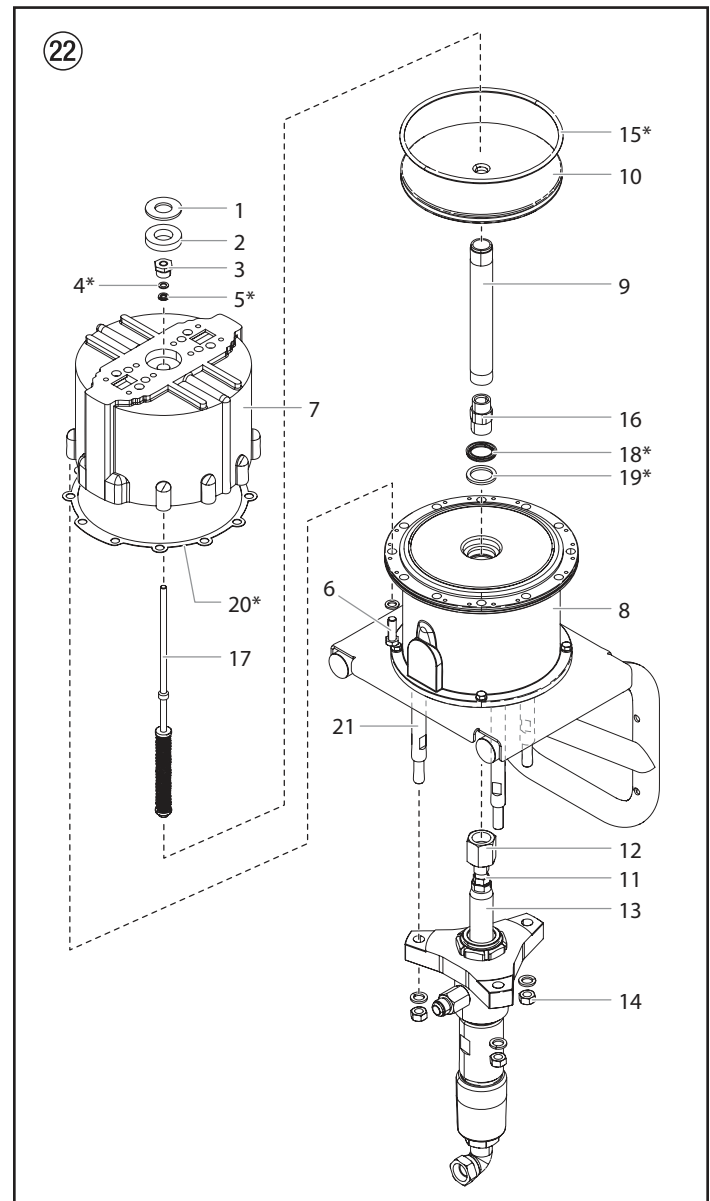
16. Greifen Sie mithilfe einer Zange vorsichtig die Auslösestange und achten Sie dabei darauf, nicht die Oberfläche der Stange zu beschädigen. Halten Sie die Stange in Position. Tauschen Sie die Auslösestangenmutter (5) auf der Auslösestange aus und ziehen diese mithilfe eines Schraubenschlüssels fest.
17. Drehen Sie das Gehäuse des Schieberventils um 90°, sodass es bündig auf dem Zylinder aufsetzt.

Abbildung 20 -

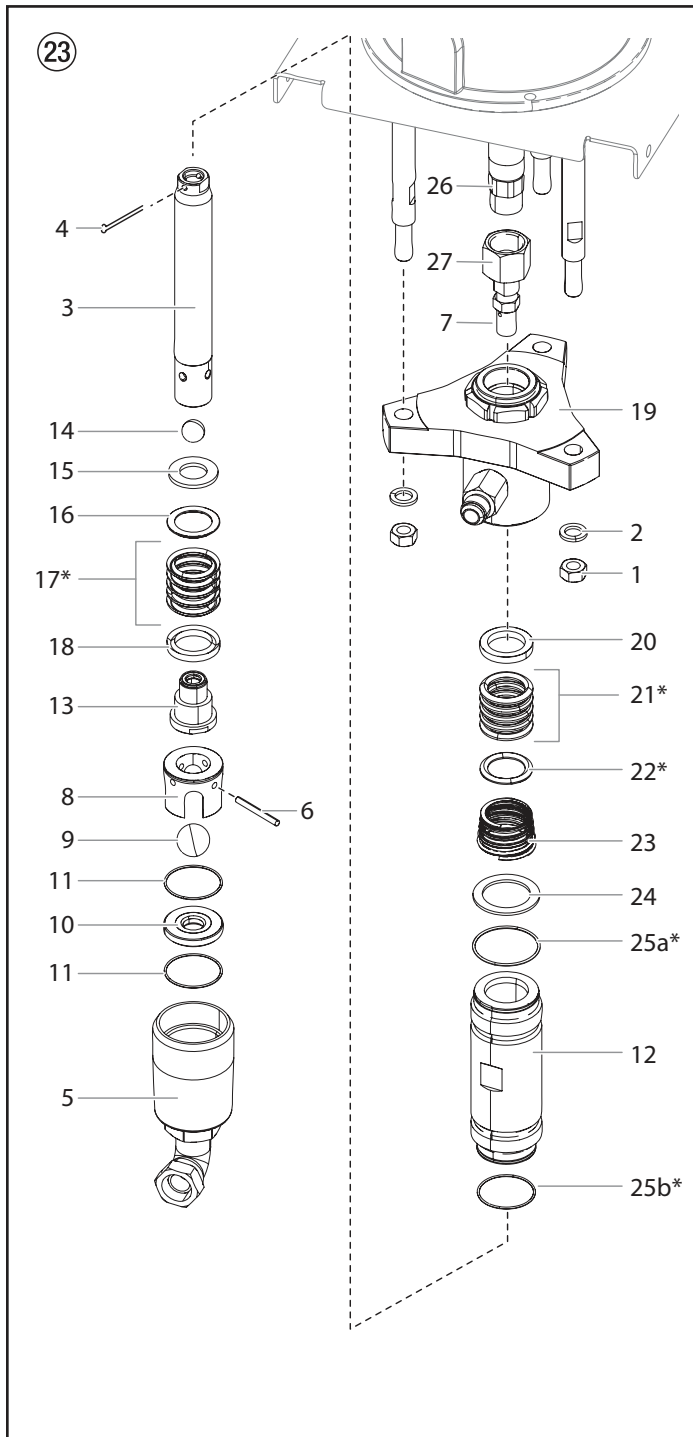
18. Tauschen Sie die Scheibe (10) und Gummiauflage (9) oben auf der Auslösestangenmutter aus.
19. Tauschen Sie die Baugruppen Achse und Rolle (8) im Gehäuse der Rastvorrichtung (5) aus.
20. Setzen Sie die Baugruppe Gehäuse der Rastvorrichtung (5) auf dem Zylinder (7). Sichern Sie diese mit den Schrauben (6).
21. Tauschen Sie die Komponenten (2-4) im Gehäuse der Rastvorrichtung (5) aus. Sichern Sie diese mit den Federhalterungen (1).
22. Bringen Sie die äußeren Platten wieder an, indem Sie die Schritte 1-5 "Zugriff auf den Luftmotor" auf der vorherigen Seite in umgekehrter Reihenfolge durchführen.

*Service - Kits

1000er Serie	Beschreibung
0533935	Motor-Service-Kit



8.2 Wartung der Flüssigkeitspumpe



Durch die Verwendung von nicht von Titan hergestellten Zubehörteilen kann die Garantie verwirkt werden.

Achtung

Die Pumpen der Serie 630 müssen in der erforderlichen Weise gewartet werden, wenn die obere Packung übermäßig ausläuft bzw. wenn die Pumpenhübe Hub um Hub schneller werden. Es wird die Verwendung des Kolbensmieröls TeileNr. 314-480 als Schmiermittel für die obere Packung empfohlen. SETZEN SIE NICHT Öl, Wasser bzw. Lösungsmittel als Schmiermittel für die obere Packung ein.

Vorgehensweise bei der Demontage

1. Testen Sie die Pumpe vor der Demontage. Befolgen Sie die Testvorgehensweise im Handbuch zur Fehlerbehebung - Abschnitt über Flüssigkeit.
2. Entfernen Sie die Baugruppe Saugschlauch. Entfernen Sie die Hutmütter (1) sowie die Scheiben (2).
3. Halten Sie die Kolbenstange des Druckluftmotors (26) an den Schlüsselstellen und schrauben die Kupplungsmutter (27) ab, um die Pumpe vom Motor zu trennen.



Verwenden Sie niemals eine Rohrzange, Zange, etc. bei m verchromten Teil der Hydraulik-, Luft oder Pumpenstange.

Achtung

4. Entfernen Sie den Bolzen (4), der die Flüssigkeitsverdrängungsstange (3) mit der Verbindungsstange verbindet.
5. Zur leichteren Demontage Ventilgehäuse entfernen. Schrauben Sie das Einlassventilgehäuse ab und entfernen es (5).
6. Entfernen die Kugelführung (8), die Kugel (9), den Kugelsitz (10) und den PTFE-O-Ring (11) vom Einlassventil (5). Entfernen Sie den Kugelbolzen (6) aus der Kugelführung (8).
7. Schieben Sie die Schubstange (3) soweit wie möglich nach unten. Ziehen Sie sie aus der Unterseite des Zylinders heraus (12).
8. Sichern Sie die Schlüsselstellen der Schubstange (3) in einem Schraubstock. Lösen und entfernen Sie den Kolbensitz (13) mithilfe eines Schraubenschlüssels.
9. Entfernen Sie die Kugel (14), den Halter (15) und die untere Dichtungspackung (16-18).
10. Bringen Sie den Pumpenblock (19) umgedreht in einem Schraubstock an. Schrauben Sie den Zylinder mithilfe eines Schraubenschlüssels an den Schlüsselstellen des Zylinders (12) vom Pumpenblock ab.
11. Entfernen Sie die obere Dichtungspackung (20-22), die obere Feder (23) und die Federhalterung (24) vom Pumpenblock.
12. Entfernen Sie die O-Ringe (25a/25b) von der oberen und unteren Seite des Zylinders.
13. Reinigen und überprüfen Sie alle Teile. Überprüfen Sie die Kolbenstange (3) sowie des Zylinder (12) auf Verschleiß. Tauschen Sie diese aus, wenn der hart verchromte Teil beschädigt ist. überprüfen Sie die Ventilsitze (10) und tauschen diese aus, wenn sie gebrochen bzw. verschliffen sind.
14. Reparieren Sie die Flüssigkeitspumpe mithilfe der Ersatzteile, die im Kit enthalten sind. Wechseln Sie alle anderen Teile, die nicht im Kit enthalten sind, bei Bedarf aus.

Vorgehensweise bei der Montage



Der Pumpenblock (19) muss immer noch umgedreht in einem Schraubstock befestigt sein.

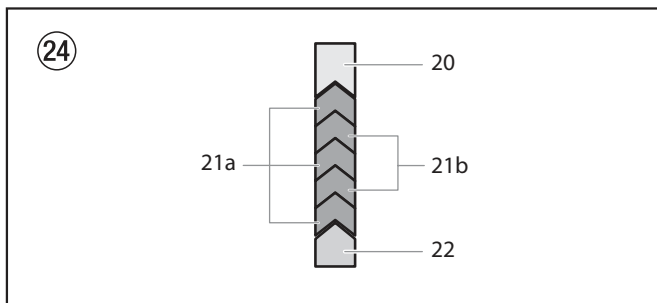
- Legen Sie die Lederpackungen (21a) für 15-20 Minuten in Hydrauliköl.
Schmieren Sie alle anderen Teile der oberen Dichtungspackung (20, 21b, 22) mit Hydrauliköl. Setzen Sie den Stutzen mit Wulst (20), die oberen Packungen (21a/b) und den Stutzen (21) in die untere Seite des Pumpenblocks ein (19).



Achtung

Da der Pumpenblock (19) umgedreht ist, wird die obere Dichtungspackung entsprechend mit der Spitze der "V" Packungen (21) nach unten zeigend eingesetzt.

Nach dem Wiedereinbau und sobald der Pumpenblock wieder nach oben gedreht wurde, zeigt die Spitze der "V" Packungen nach oben. Die endgültige Ausrichtung aller Teile der oberen Dichtungspackung (20-22) entnehmen Sie der Abb. 24.



- Setzen Sie die obere Feder ein (23); das schmale Ende der Feder muss in Richtung des Packungs-Sets s zeigen.
- Setzen Sie die Federhalter ein (24).
- Setzen Sie neue O-Ringe (25) in den Zylinder ein (12).



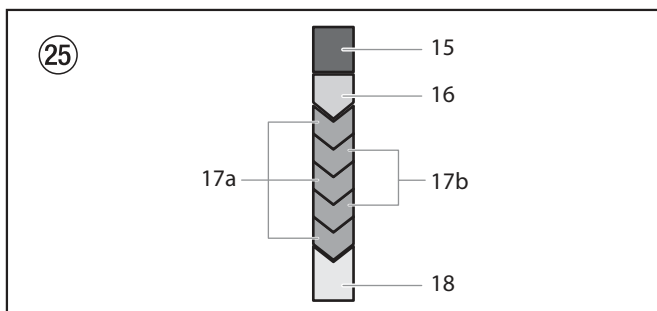
Schmieren Sie alle O-Ringe vor der Montage (Piston Lube, TeileNr. 314-480).

- Schrauben Sie den Zylinder (12) in den Pumpenblock (19). Ziehen Sie diesen mit einem Schraubenschlüssel an den Schlüsselflächen des Zylinders fest.
- Legen Sie die Lederpackungen (17b) für 15-20 Minuten in Hydrauliköl.
Schmieren Sie alle Teile der unteren Dichtungspackungen (15-16, 17b, 18) mit Hydrauliköl. Montieren Sie diese am Kolbensitz (13) in der folgenden Reihenfolge: Halter (15), Stutze (18), untere Dichtungspackung (17a/b) und Stutze (16).



Achtung

Die Spitze der "V" Packungen (17) muss bei der Remontage nach unten zeigen.



- Bauen Sie die Kugel (14) wieder in den Kolbensitz (13).
- Schrauben Sie den Kolbensitz (13) wieder zurück auf die Kolbenstange (3). Ziehen Sie diesen mit einem Drehmoment von 55-65 ft.-lbs. (74-88 N.m.) fest



Verkleben Sie die gesäuberten Gewinde mit Loctite (Teile.Nr. 426-051)

- Führen Sie die Kolbenstange (3) durch das obere Packungs-Set (20-22) in den Pumpenblock ein (19). Achten Sie drauf, nicht die Innenwände des Zylinders bzw. des Pumpenblocks zu verkratzen. Schieben Sie die Schubstange durch, bis das Ende aus der oberen Seite des Pumpenblocks (19) herausragt.
- Entfernen Sie den Zylinder (12) und den Pumpenblock (19) aus dem Schraubstock.
- Bauen Sie den Kugelbolzen (6) wieder in die Kugelführung (8) ein. Bauen Sie den O-Ring (11), den Kugelsitz (10), die Kugel (9), die Kugelführung (8) und den O-Ring (7) in das Einlassventil (5) ein.
- Schrauben Sie das Einlassventil (5) in den Zylinder (12).



Es ist nicht erforderlich, das Einlassventilgehäuse und den Zylinder zu fest in den Pumpenblock zu schrauben. Die O-Ringe erfüllen ihre Funktion als Dichtung ohne übermäßiges Festziehen. Ein vollständiges Einschrauben ist ausreichend. Das Einlassventilgehäuse (5) kann um bis eine 3/4 Drehung aus dem vollen Eingriff zurückgedreht werden, um eine geeignete Schlauchposition zu erreichen.

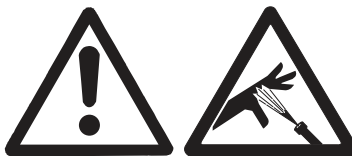
- Bauen Sie die Flüssigkeitspumpe wieder ein. Richten Sie den dreieckigen Pumpenblock (19) mit den Stützen am Luftmotor aus. Sichern Sie diesen mit den Stützmuttern (4).
- Setzen Sie die Verbindungsstange (7) durch die Kupplungsmutter (27) ein und schrauben die Verbindungsstange (7) in die Kolbenstange (3).
- Bringen Sie die Löcher in der Verdrängungsstange (3) und der Verbindungsstange (7) auf eine Höhe. Setzen Sie den Bolzen (4) wieder ein.
- Halten Sie die Kolbenstange des Luftmotors (26) an den Schlüsselflächen und schrauben die Kupplungsmutter (27) fest, um die Pumpe am Motor zu befestigen.

Service - Kits			
1045 Serie	1064 Serie	1072 Serie	Beschreibung
0533936	0533937	0533938	Pumpen-Service-Kit (beinhaltet Posten 4, 9, 11, 14, 16-18, 20-22, 25a/25b und sowie das Dichtungsmittel Loctite 426-051)

Attention!

Danger de blessure par injection de produit!

Les groupes "Airless" produisent des pressions de projection extrêmement élevées.

**1**

Ne jamais exposer les doigts, les mains ou d'autres parties du corps au jet!

Ne jamais diriger le pistolet vers soi, vers d'autres personnes ou vers des animaux.

Utiliser toujours le pistolet muni de sa protection.

Ne traitez pas une blessure par injection comme simple coupure. En cas de blessure de la peau par l'injection de peintures ou de solvants, consultez sans retard un médecin. Renseignez le médecin sur la nature de la peinture ou du solvant utilisés.

2

Avant toute mise en service, respecter les points suivants conformément aux instructions de service:

1. Ne jamais utiliser un équipement défectueux.
2. Verrouiller le pistolet Titan par le levier de sécurité à la gâchette.
3. Assurer la mise à la terre correcte.
4. Vérifier et respecter les pressions admissibles pour le flexible et le pistolet.
5. Contrôler l'étanchéité de tous les raccords.

3

Respecter sans faute les instructions relatives au nettoyage et à l'entretien réguliers du matériel.

Avant toute intervention sur le matériel et pendant chaque interruption de travail, observer les règles suivantes:

1. Evacuer la pression du pistolet et du flexible.
2. Verrouiller le pistolet Titan par le levier de sécurité à la gâchette.
3. Arrêter le groupe.

Ne négligez pas la sécurité!

Contenu

	Page		Page
1. Prescriptions de sécurité pour la projection Airless	46	6. Entretien	57
1.1 Explication des symboles utilisés	46	6.1 Entretien quotidien	57
1.2 Sécurité en compresseur	47	6.2 Entretien du filtre	58
1.3 Utilisation sur un terrain incliné.....	48	6.3 Entretien du moteur pneumatique	59
1.4 Pièces glacées	48	6.4 Entretien de la pompe des fluides	59
2. Généralités d'utilisation	49	7. Dépannage	59
2.1 Domaines d'utilisation.....	49	7.1 Pistolet.....	59
2.2 Produits de revêtement	49	7.2 Moteur pneumatique	59
3. Description du matériel	49	7.3 Répartition de la pulvérisation	60
3.1 Le procédé Airless	49	7.4 Pompe des fluides.....	61
3.2 Fonctionnement du matériel.....	49	8. Entretien	62
3.3 Illustration groupes PowrCoat.....	50	8.1 Entretien du moteur pneumatique	62
3.4 Caractéristiques techniques.....	51	8.2 Entretien de l'ensemble de la pompe.....	64
4. Fonctionnement	51	Accessoires et pièces de rechange	66
4.1 Installation	51	Liste des pièces de rechange ensemble principal.....	66/67
4.2 Lubrificateur automatique.....	53	Liste des pièces de rechange ensemble de montant mural.....	80/81
4.3 Préparation d'un nouveau vaporisateur.....	54	Liste des pièces de rechange ensemble du	
4.4 Préparation avant de pulvérisation	54	logement supérieur.....	70/71
4.5 Pulvérisation	54	Liste des pièces de rechange du moteur pneumatique	72/73
4.6 Procédure de décharge de pression	55	Liste des pièces de rechange de pompe des fluides.....	74/75
4.7 Nettoyage d'une buse obstruée	55	Liste des pièces de rechange filtre, regulateur, lubrificateur	
5. Nettoyage	56	automatique	76/77
5.1 Consignes spéciales de nettoyage lors de l'utilisation		Liste des pièces de rechange filtre à haute pression.....	78/79
du pistolet avec des solvants inflammables	56	Liste des pièces de rechange chariot.....	80/81
5.2 Nettoyage du pulvérisateur	56	Garantie	82
5.3 Nettoyage du filtre à air	57		

1. Prescriptions de sécurité pour la projection Airless

1.1 Explication des symboles utilisés

Veillez lire et être sûr de comprendre toutes les informations contenues dans ce manuel avant d'utiliser l'appareil. Lorsque vous pénétrez dans une zone qui contient les symboles suivants, soyez particulièrement vigilant et vérifiez que les systèmes de sécurité sont bien installés.

	Ce symbole indique un risque potentiel pouvant entraîner des blessures graves ou même mortelles. Vous trouverez ci-après d'importantes consignes de sécurité.
 Attention	Ce symbole indique un risque potentiel pour vous ou pour l'appareil. D'importantes informations sur la manière d'éviter tout dommage de l'équipement ou d'éviter des blessures légères sont indiquées ci-après.
	Danger de blessure par injection de produit
	Danger d'incendie
	Risque d'explosion
	Vapeurs toxiques et/ou inflammables. Danger d'intoxication et de brûlure
	Les notes contiennent des informations qui doivent être consciencieusement respectées.



RISQUE : Blessure par projection

Un courant de liquide à haute pression produit par cet équipement peut percer la peau et les tissus sous-cutanés, et entraîner des blessures graves ou une amputation.

Ne traitez pas une blessure par injection comme simple coupure. En cas de blessure de la peau par l'injection de peintures ou de solvants, consultez sans retard un médecin. Renseignez le médecin sur la nature de la peinture ou du solvant utilisés.

PRÉVENTION :

- NE dirigez JAMAIS le pistolet vers une partie du corps, quelle qu'elle soit.
- NE laissez JAMAIS une partie du corps entrer en contact avec le flux de liquide. NE laissez JAMAIS votre corps au contact d'une fuite dans le tuyau de liquide.
- NE placez JAMAIS vos mains devant le pistolet. Les gants ne constituent pas un rempart suffisant contre les blessures par projection.
- Bloquez TOUJOURS la gâchette du pistolet, éteignez la pompe et vidangez toute la pression avant toute opération d'entretien, avant de nettoyer une buse ou une protection, avant de changer une buse ou si vous laissez l'appareil sans surveillance. La pression ne s'évacue pas simplement en éteignant le compresseur. La vanne PRIME/SPRAY ou la vanne de décharge de la pression doivent être placées dans les positions souhaitées pour vidanger la pression.
- Conservez TOUJOURS la protection de la buse en place lorsque vous pulvérisiez. La protection de la buse fournit une certaine protection mais il s'agit principalement d'un système d'alarme.
- Enlevez TOUJOURS la buse de pulvérisation avant de rincer ou de nettoyer le système.
- N'utilisez JAMAIS un pistolet pulvérisateur sans blocage de gâchette et sans protection de gâchette.
- Tous les accessoires doivent pouvoir travailler à la pression de travail maximale du pulvérisateur ou au-dessus. Ceci concerne les buses de pulvérisation, les pistolets, les rallonges et le tuyau.



RISQUE : Flexible à haute pression

Le tuyau de peinture peut présenter des fuites dues à l'usure, aux pincements et aux mauvaises utilisations. Toute fuite peut entraîner une projection de matériau dans la peau. Vérifiez soigneusement le tuyau avant chaque utilisation.

PRÉVENTION :

- Il faut éviter de trop plier le flexible; le plus petit rayon ne doit pas être inférieur à 20 cm.
- Protéger le flexible contre le passage de véhicules et éviter le frottement sur des arêtes vives.
- Remplacer immédiatement tout tuyau à haute pression endommagé.
- Ne jamais essayer de réparer un flexible endommagé!
- La charge électrostatique du pistolet et du flexible est évacuée par ce dernier. Pour cette raison, la résistance électrique entre les raccords du flexible doit être égale ou inférieure à 1 mégohm.
- Pour des raisons de fonctionnement, de sécurité et de durée utile utiliser exclusivement des flexibles à haute pression originaux de Titan.
- Avant chaque utilisation, vérifiez que les tuyaux ne présentent ni coupures, ni fuites, ni signes d'abrasion ou de renflement du revêtement. Vérifiez l'état et le mouvement des raccords. Remplacez immédiatement les tuyaux s'ils sont en mauvais état. Ne réparez jamais un tuyau de peinture. Remplacez-le par un tuyau à haute-pression relié à la masse.

- Assurez vous que le tuyau à air et les tuyaux de pulvérisation sont disposés de façon à éviter les risques de glissade, de trébuchement ou de chute.



RISQUE : Explosion et incendie

Les vapeurs inflammables, telles que les vapeurs de solvant et de peinture, dans une zone de travail peuvent s'enflammer ou exploser.

PRÉVENTION :

- Servez-vous de l'équipement dans un endroit bien aéré. Faites circuler beaucoup d'air frais dans l'endroit afin d'éviter l'accumulation de vapeurs inflammables dans la zone de pulvérisation. Entreposez l'ensemble de la pompe dans un endroit bien aéré. Ne pulvérisez pas l'ensemble de la pompe.
- Éliminez toutes les sources d'inflammation, comme les veilleuses, les cigarettes, les lampes électriques portatives et les toiles de protection en plastique (risque d'arc statique).
- Gardez la zone de travail exempte de débris, y compris des solvants, des chiffons et d'essence.
- Ne branchez ou ne débranchez pas les cordons d'alimentation, ne mettez pas l'appareil en marche, n'allumez ou n'éteignez pas les lumières lorsque des vapeurs inflammables sont présentes.
- Mettez à terre l'équipement et les objets conducteurs dans la zone de travail. Assurez-vous que le câble de mise à la terre relie la patte de mise à la terre à une prise de terre réelle.
- Utilisez uniquement des tuyaux mis à la terre.
- Tenez le pistolet de pulvérisation fermement contre le côté d'un seau mis à la terre lorsque vous pulvérisez dans le seau.
- S'il y a production d'étincelles statiques ou si vous ressentez un choc, arrêtez le fonctionnement immédiatement.
- Soyez au courant du contenu de la peinture et des solvants à pulvériser. Lisez toutes les fiches signalétiques (FS) et les étiquettes des récipients de peinture et de solvant. Suivez les consignes de sécurité du fabricant de peinture et du solvant.
- N'utilisez pas de peinture ou de solvant contenant des hydrocarbures hydrogénés, comme du chlore, de l'eau de Javel, un agent anti-moisissure, du chlorure de méthylène et du trichloroéthane. Ils ne sont pas compatibles avec l'aluminium. Communiquez avec le fournisseur de revêtement au sujet de la compatibilité du produit avec l'aluminium.
- Gardez un extincteur dans la zone de travail.



RISQUE : Vapeurs dangereuses

Les peintures, solvants, et autres matériaux peuvent être nocifs en cas d'inhalation ou de contact avec la peau. Les vapeurs peuvent entraîner de sérieuses nausées, des syncopes ou des empoisonnements.

PRÉVENTION :

- Pendant le travail de protection porter un masque respiratoire. Lisez attentivement toutes les instructions fournies avec le masque pour vous assurer qu'il fournit bien la protection nécessaire.
- Tous les règlements locaux en matière de protection contre les vapeurs toxiques doivent être respectés.
- Portez des protections oculaires.
- Pour protéger la peau il est nécessaire de porter des vêtements de protection, des gants et d'utiliser éventuellement une crème de protection de la peau. Observer les prescriptions des fabricants au sujet des produits de peinture, de nettoyage et des solvants pendant la préparation, la mise en oeuvre et le nettoyage du matériel.



RISQUE : Généralités -

peut entraîner des blessures sévères ou des dégâts matériels.

PRÉVENTION :

- Respectez toutes les réglementations locales et nationales concernant la ventilation, la prévention des incendies et le fonctionnement.
- Lorsque vous appuyez sur la détente, il se produit un mouvement de recul de la main qui tient le pistolet pulvérisateur. Le recul du pistolet pulvérisateur est particulièrement puissant lorsque la buse a été démontée et lorsque la pompe sans air a été réglée sur une pression élevée. Lors du nettoyage sans buse, réglez donc le bouton de contrôle de la pression sur la pression minimale.
- N'utilisez que des pièces de rechange d'origine. L'utilisateur assume tous les risques s'il utilise des pièces qui ne correspondent pas aux spécifications minimales et aux dispositifs de sécurité du fabricant de la pompe.
- Respectez TOUJOURS les consignes du fabricant du matériau pour manipuler la peinture et les solvants en toute sécurité.
- Nettoyez immédiatement les matériaux tombés et le solvant déversé accidentellement, afin d'éviter les risques de glissade.
- Munissez-vous d'une protection auditive. Le bruit émis par cet appareil peut dépasser les 85 dB(A).
- Ne laissez jamais cet outil sans surveillance. Tenez-le hors de portée des enfants ou des personnes non familiarisées avec le fonctionnement des équipements sans air.
- Appareils de plus de 36 kg. Trois personnes sont nécessaires pour les soulever.
- Ne vaporisez pas à l'extérieur en cas de vent.
- L'appareil et tous ses liquides (p. ex., huile hydraulique) doivent être détruits sans danger pour l'environnement.

1.2 Sécurité en compresseur

Les appareils PowrCoat sont des appareils pneumatiques (alimentés par un compresseur d'air). Respecter toutes les mesures de sécurité indiquées par le fabricant du compresseur concernant la sécurité générale et en électricité.

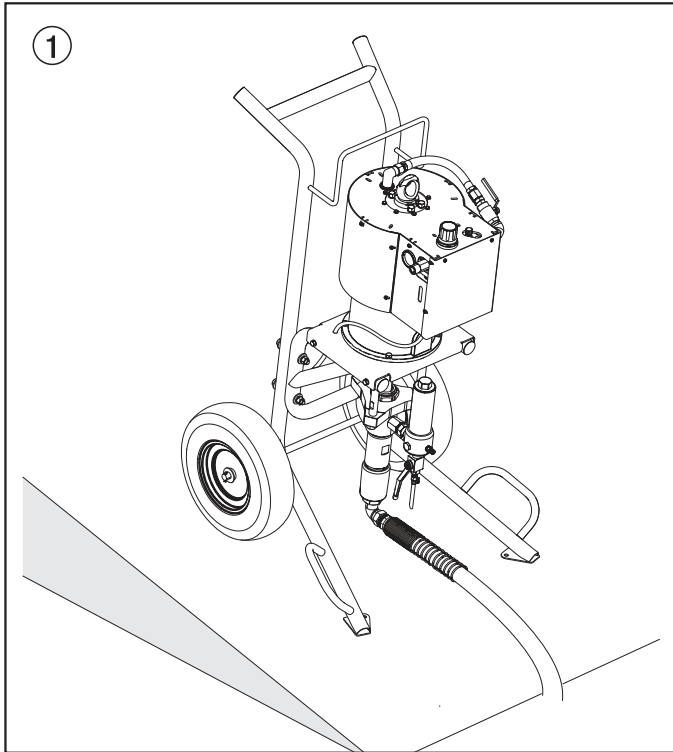
Placez le compresseur à l'extérieur de l'air de pulvérisation afin d'éviter l'obstruction de l'entrée d'air du compresseur avec la perte de peinture à la pulvérisation.



Si vous devez pulvériser du vernis-laque ou d'autres produits inflammables, placez TOUJOURS le compresseur à l'extérieur de l'aire de pulvérisation, sinon, cela pourrait causer une explosion.

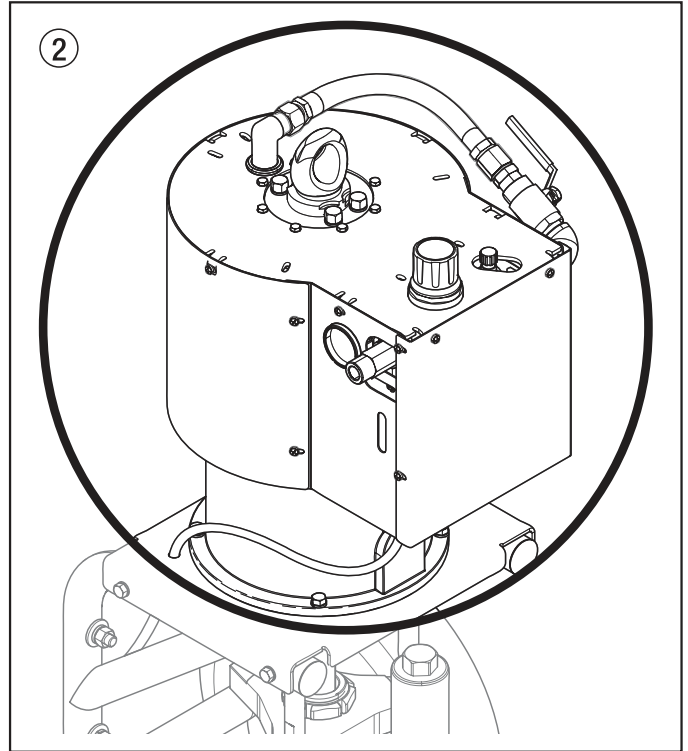
1.3 Utilisation sur un terrain incliné

La partie avant du groupe doit montrer vers le bas afin d'éviter un déplacement involontaire.



1.4 Pièces glacées

La température de certaines composantes de l'appareil peut descendre sous 0 °C (32 °F) pendant l'utilisation et cela pourrait causer une accumulation de gelée. Consultez le schéma ci-dessous pour la région de la pompe la plus susceptible d'atteindre des températures de gel. Évitez de toucher les composantes de cette région pendant l'utilisation.



Température de fonctionnement

Cet équipement fonctionnera correctement à sa température ambiante visée, entre +10°C et +40°C au moins.

Humidité relative

Cet équipement fonctionnera correctement dans un milieu ayant une humidité relative de 50 %, à +40°C. Une humidité relative plus élevée peut être permise à des températures plus basses.

L'acheteur doit prendre des mesures afin d'éviter les effets destructeurs de la condensation accidentelle.

Altitude

Cet équipement fonctionnera correctement jusqu'à 2 100 m au-dessus du niveau moyen de la mer.

Transport et entreposage

Cet équipement résistera aux températures de transport et d'entreposage entre -25°C et +55°C et jusqu'à +70°C pour des périodes courtes, ou il est protégé pour résister à ces températures. Son emballage prévient les dommages des effets de l'humidité, de la vibration et des coups normaux.

2. Généralités d'utilisation

2.1 Domaines d'utilisation

Couches de fond et de finition de surfaces importantes, scellement, imprégnation, assainissement de bâtiments, protection et rénovation de façades, protection antirouille et de bâtiments, revêtement de toits, assainissement de béton, protection anticorrosion lourde.

Exemples de travaux

Génie civile, tours de refroidissement, ponts, stations d'épuration et toits plats.

2.2 Produits de revêtement

Produits utilisables



Veiller à la qualité Airless des produits utilisés.

Peintures latex, peintures pour façades, revêtements de toits et de sols, produits de protection ignifuge et anticorrosion, peintures à base de mica et de zinc, enduits à projeter de qualité Airless, colles à projeter, produits anticorrosion, revêtements épais et produits de revêtement bitumineux.

Mise en œuvre d'autres produits seulement avec l'accord de Titan.

Filtering

Malgré l'utilisation d'un filtre de haute pression, le filtrage du produit est généralement recommandé (Sauf au moment de manipuler le produit de jointoiement sans air).

Bien remuer le produit, avant l'utilisation.



Si le produit est remué avec un agitateur mécanique, éviter la formation de bulles d'air dans le produit qui pourraient entraîner des arrêts de fonctionnement.

Viscosité

Le matériel permet la mise en œuvre de produits de haute viscosité.

Si les produits à haute viscosité ne sont pas aspirés, diluer conformément aux prescriptions du fournisseur.

Produits à deux composants

Respecter scrupuleusement le temps d'utilisation correspondant (vie en pot). Rincer et nettoyer le matériel à l'intérieur de ce temps avec le produit de nettoyage adéquat.

Produits à charges abrasives

Ces produits entraînent une forte usure des vannes, flexible, pistolet et buse. La durée utile de ces éléments peut ainsi être fortement réduite.

3. Description du matériel

3.1 Le procédé Airless

Une pompe à piston **airless** (sans air) aspire le revêtement. La pompe à piston pneumatique est alimentée d'air comprimé par un compresseur d'air externe (**Air-Powered**/assisté par air).

Le démarrage et l'arrêt de la pompe à piston font avancer le revêtement dans la pompe, à travers le tuyau à peinture au pistolet de pulvérisation. Pressé par la buse à très haute pression, le revêtement est atomisé en particules fines.

Ce procédé de projection comporte les avantages tels que pulvérisation très fine, peu de brouillard, surfaces lisse sans bulles. A part de ces avantages, il y a lieu de mentionner la vitesse de travail et la maniabilité.

3.2 Fonctionnement du matériel

Pour mieux comprendre le fonctionnement, voici une brève description de la conception technique:

TITAN PowrCoat sont des appareils à pulvérisation à haute pression alimentés par un compresseur d'air.

Un compresseur d'air relié par un tuyau d'air alimente le moteur pneumatique (1) qui déplace ensuite le piston vers le haut et vers le bas dans la pompe d'alimentation du produit (2), aspirant le produit à pulvériser par le tube d'aspiration (3).

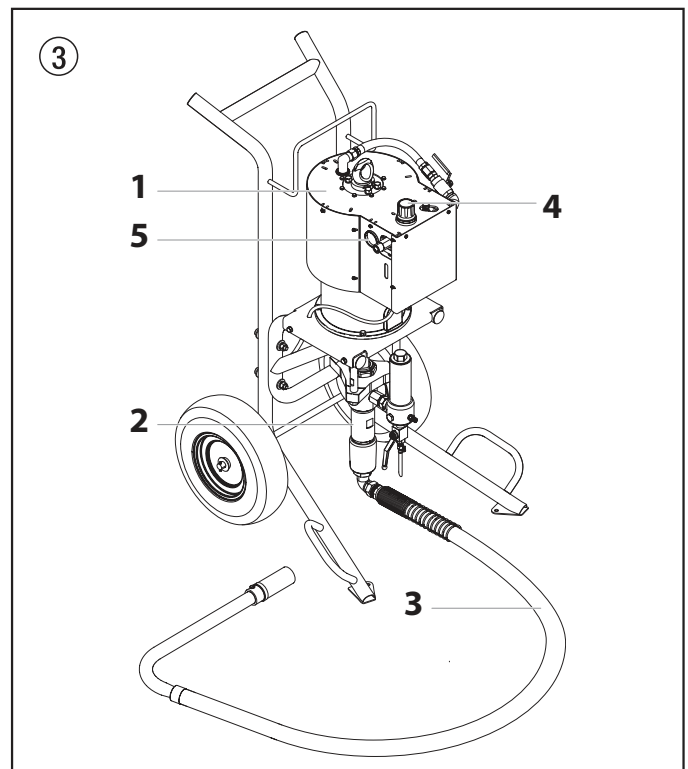
Le régulateur de débit d'air (4) contrôle la pression d'air permise dans le système qui est directement proportionnelle à la pression des fluides produite.

Exemple : PowrCoat 1045 = 45:1

Lecture de 6,9 bar (100 PSI) au manomètre à air (5) = 310 bar (4500 PSI) à l'orifice de refoulement de pompe.

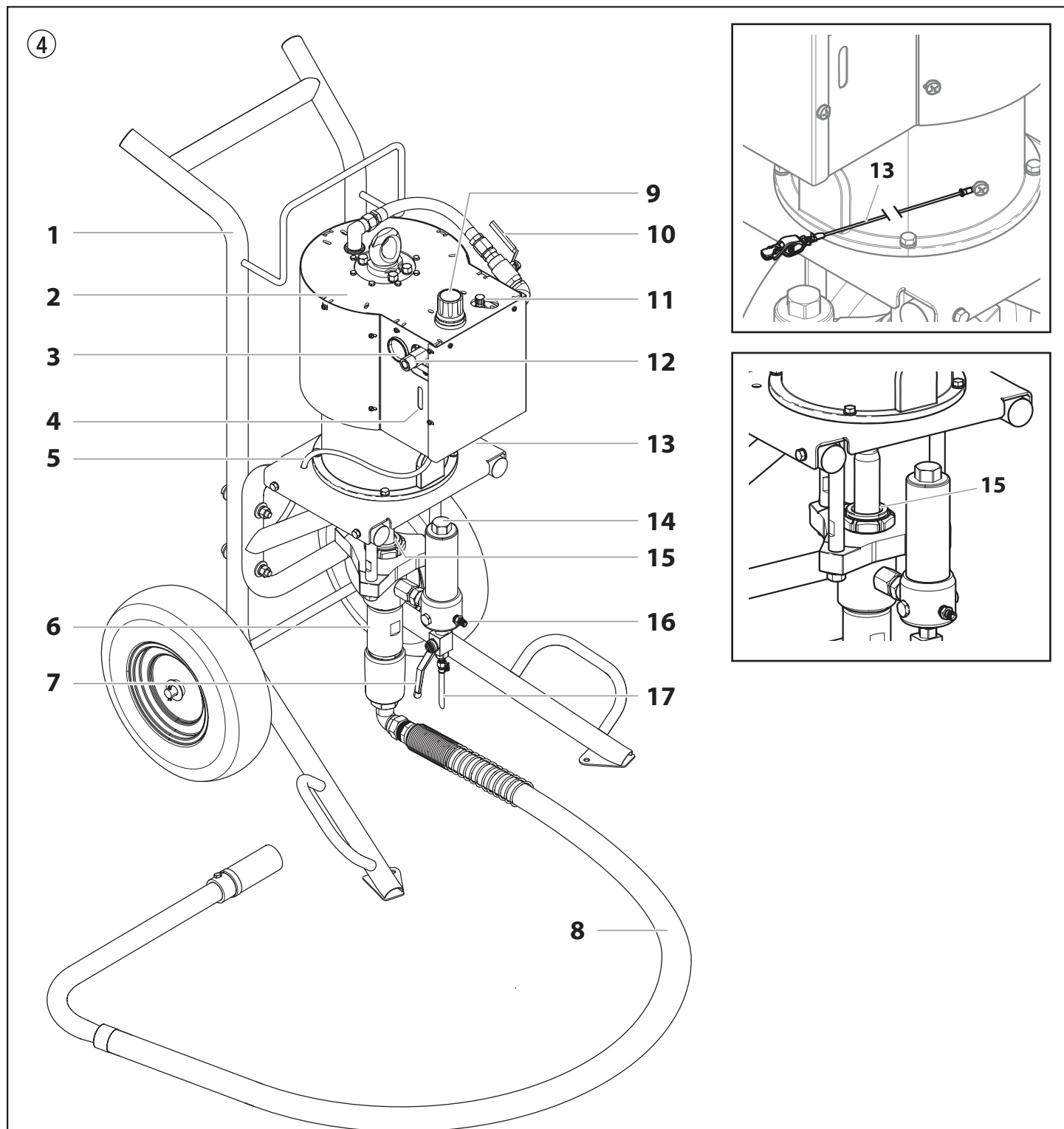
A la montée du piston la vanne d'aspiration s'ouvre automatiquement. A la descente du piston, le clapet de refoulement s'ouvre.

Le produit est refoulé sous haute pression par le flexible au pistolet où il est éclaté en passant par la buse.



3.3 Illustration groupes PowrCoat

- | | | |
|--|------------------------------|---|
| 1 Chariot (Modèles à chariot uniquement) | 7 Soupape de décharge | 13 Câble de mise à la terre |
| 2 Moteur pneumatique | 8 Tube du siphon | 14 Filtre à haute pression |
| 3 Manomètre d'air | 9 Régulateur de débit d'air | 15 Ouverture de remplissage pour Piston Lube™ |
| 4 Filtre à air/séparateur d'humidité | 10 Vanne d'arrêt ventilée | 16 Sortie du tuyau à haute pression |
| 5 Tuyau de vidange du lubrificateur | 11 Lubrificateur automatique | 17 Tuyau de décharge |
| 6 Pompe des fluides | 12 Raccord de tuyau d'air | |



3.4 Caractéristiques techniques

	PowrCoat 1045	PowrCoat 1064	PowrCoat 1072
Numéro de modèle			
Chariot	05331045C	05331064C	05331072C
Montant mural	05331045W	05331064W	05331072W
Rapport de pression			
	45:1	64:1	72:1
Pression de service maximale			
	310 bar (4500 PSI)	441 bar (6400 PSI)	496 bar (7200 PSI)
Pression maximale de l'entrée d'air			
	6,9 bar (100 PSI)	6,9 bar (100 PSI)	6,9 bar (100 PSI)
Vitesse du cycle par gallon/litre			
	15 / 3,9	20 / 5,3	22,5 / 5,9
Volume par coup double			
	253,8 cc	188,5 cc	167,1 cc
Débit maximum / Vitesse du cycle (CPM)			
60 CPM	15,22 l/min	11,28 l/min	10,07 l/min
90 CPM	22,83 l/min	17,87 l/min	15,10 l/min
Entrée du fluide / Sortie du fluide			
Entrée	3/4" NPT (F)	3/4" NPT (F)	3/4" NPT (F)
Sortie	3/4" NPT (F)	3/4" NPT (F)	3/4" NPT (F)
Raccord de tuyau			
	3/8" NPSM (M)	3/8" NPSM (M)	3/8" NPSM (M)
Quantité d'air nécessaire approximative (SCFM) par litre pulvérisé à une pression de 6,9 bar (100 PSI)			
	43 SCFM (1,22 m³/min)	57,7 SCFM (1,63 m³/min)	64,9 SCFM (1,84 m³/min)
Entrée d'air			
Entrée	3/4" NPT (M)	3/4" NPT (M)	3/4" NPT (M)
Niveau sonore maximum			
	98 dB*	98 dB*	98 dB*
Poids			
Chariot	88,4 kg	87,5 kg	88,0 kg
Montant mural	69,8 kg	68,9 kg	69,4 kg
Viscosité maximale			
	50.000 mPa·s	50.000 mPa·s	50.000 mPa·s
Encombrement longueur-largeur-hauteur			
Chariot	85,09 cm x 79,63 cm x 136,90 cm	85,09 cm x 79,63 cm x 136,90 cm	85,09 cm x 79,63 cm x 136,90 cm
Montant mural	49,02 cm x 40,84 cm x 118,77 cm	49,02 cm x 40,84 cm x 118,77 cm	49,02 cm x 40,84 cm x 118,77 cm
Température maximale du produit			
	71° C	71° C	71° C
Cartouche filtrante (équipement standard)			
	60 mailles, 97 cm² (15 ln²)	60 mailles, 97 cm² (15 ln²)	60 mailles, 97 cm² (15 ln²)

* lieu de mesure: distance latéral au matériel 1 m, à 1,60 m du sol, pression de fonctionnement 120 bar (12 MPa), sol réverbérant.

4. Fonctionnement



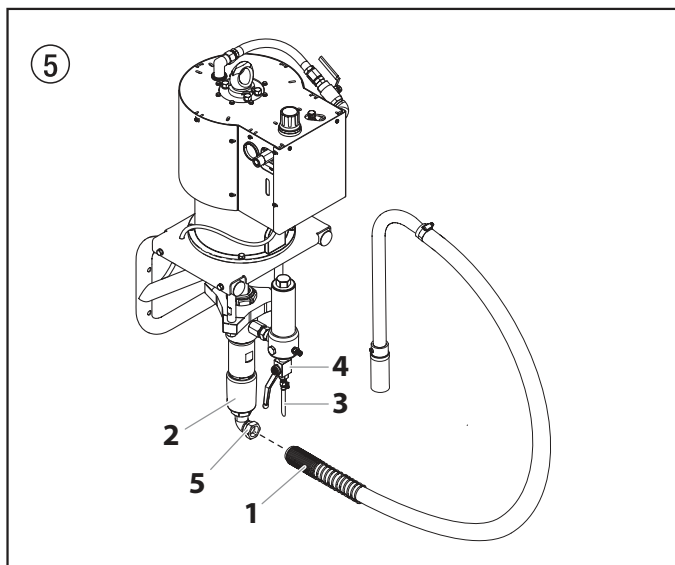
L'équipement produit un flot de fluides à extrêmement haute pression. Lisez et comprenez les avertissements de la section des Mesures de sécurité à l'avant du manuel avant d'utiliser l'équipement.

4.1 Installation

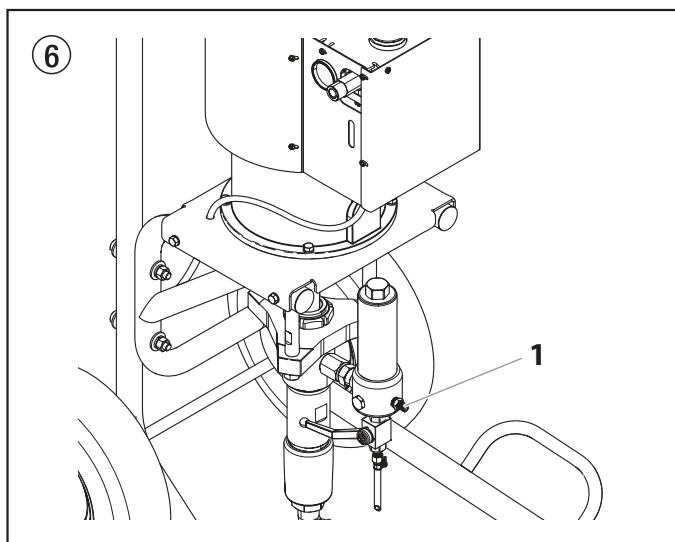
1. Assurez-vous que le tuyau d'aspiration (fig. 5, pos. 1) est bien relié à la section des liquides (2) et que le tuyau de décharge (3) est bien relié à la soupape de décharge (4). Chaque extrémité mâle de ces tuyaux a été équipée en usine d'un bouchon en PTFE devant être fermement serré à l'aide d'une clé.



Pour orienter le tube d'aspiration, dévisser le pivot (5) et orienter le tube d'aspiration vers l'emplacement voulu.



2. Verrouillez le pistolet en enclenchant le cran de sûreté (voir le Guide d'utilisation du pistolet).
3. À l'aide d'une clé, fixez un tuyau de pulvérisation sans air en nylon d'un diamètre de 9,5 mm (3/8 po) et d'une longueur minimale de 15 m (50 pi) sur le raccord de sortie du produit de la pompe. Serrez fermement.



4. Remplissez la coupelle d'huile à moitié avec de l'huile Piston Lube (n° de pièce 314-480), ceci permet d'accroître la durée de vie de l'équipement.



Attention

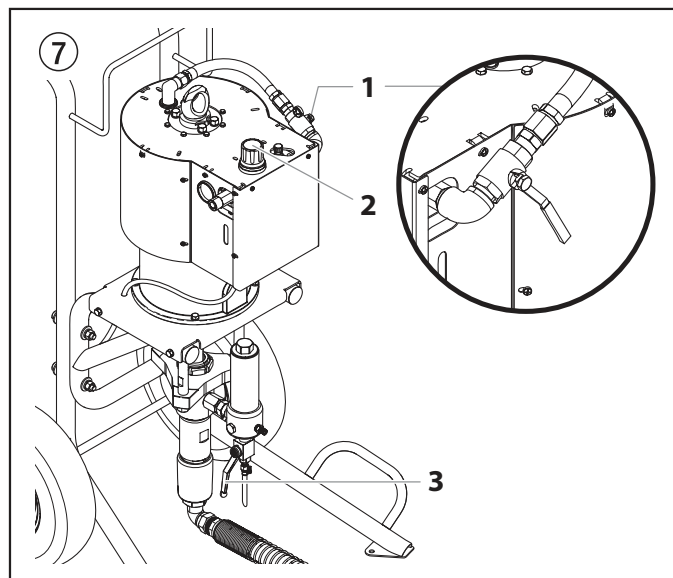
Piston Lube empêche l'usure prématurée des garnitures.

5. Vérifier si le compresseur d'air répond aux exigences en matière de puissance afin d'alimenter efficacement le pulvérisateur. Consulter la section 3.4 des « Caractéristiques techniques » afin de déterminer la quantité d'air nécessaire.

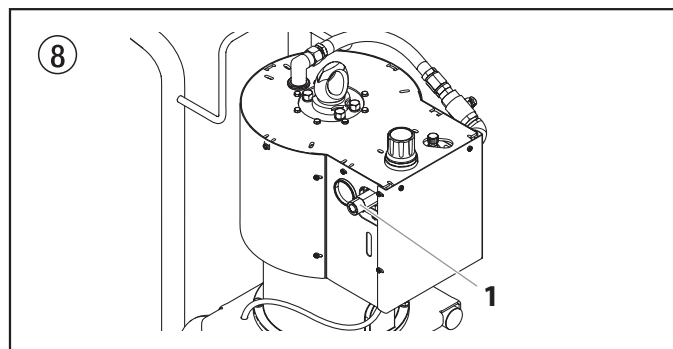


L'exigence variera selon le modèle.

6. Avant de brancher le compresseur à l'appareil, suivez les étapes suivantes afin de prévenir le démarrage accidentel :
 - a. Fermez la soupape d'arrêt (fig. 7, pos. 1). La figure montre la poignée à la position fermée.
 - b. Tournez le régulateur de débit d'air (2) complètement dans le sens contraire des aiguilles d'une montre à sa plus basse pression.
 - c. Ouvrez la soupape de décharge (3) en la tournant complètement dans le sens inverse des aiguilles d'une montre. La poignée de la vanne de purge devrait pointer vers le bas.

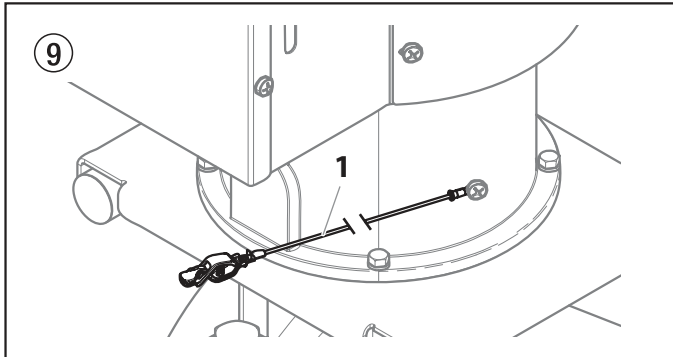


7. Retirez le bouchon rouge du raccord de tuyau d'air (fig. 8, article 1). Fixez le tuyau d'air et serrez bien. Tous les appareils sont munis d'un raccord de tuyau d'air de 3/4" à NPT (M).



Il est important de correctement relier l'appareil à la terre. Le passage de certains matériaux dans le tuyau en nylon produit une charge électrique statique qui peut enflammer les vapeurs de solvant lorsqu'elle est déchargée et peut créer une explosion.

8. S'assurer que le pulvérisateur est mis à la terre. Tous les pulvérisateurs sont munis d'un câble de mise à la terre (fig. 9, pos. 1). Agrafer le bout du câble de mise à la terre à une prise de terre réelle.



9. Filtrez toutes les peintures avec un filtre en nylon pour un fonctionnement sans problème et pour éviter d'avoir à nettoyer fréquemment le filtre interne et le filtre du pistolet.
10. Vérifiez que la zone de vaporisation est bien ventilée pour empêcher tout fonctionnement dangereux avec des solvants volatils ou des fumées d'échappement.



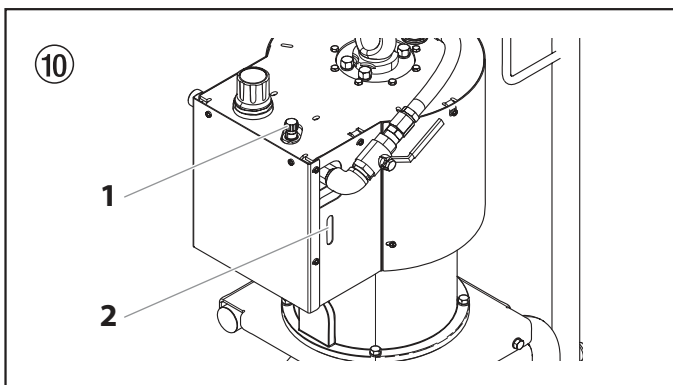
Si vous devez pulvériser du vernis-laque ou d'autres produits inflammables, placez TOUJOURS le compresseur à l'extérieur de l'aire de pulvérisation, sinon, cela pourrait causer une explosion.

12. Placez le compresseur à l'extérieur de l'air de pulvérisation afin d'éviter l'obstruction de l'entrée d'air du compresseur avec la perte de peinture à la pulvérisation.

4.2 Lubrificateur automatique

Le lubrificateur automatique (fig. 10, article 1) lubrifie l'air acheminé au système. Le bon taux d'injection est réglé à l'usine et ne devrait pas être modifié jusqu'à ce que le réservoir ait besoin d'être rempli de lubrifiant AirCare™. Vérifiez le niveau par les ouvertures (2) sur le côté du capot du moteur pneumatique.

Après le remplissage du réservoir, le lubrificateur automatique devra être réglé. Tournez la vis de réglage (1) dans le sens des aiguilles d'une montre afin d'augmenter le taux d'injection d'AirCare™ et dans le sens contraire aux aiguilles d'une montre pour le diminuer.



Vérifiez le taux d'injection en observant le débit par les ouvertures sur le côté du capot du moteur pneumatique.

- Le bon débit est une goutte de lubrifiant AirCare™ par minute.
- Dans des conditions humides, lorsqu'il pourrait y avoir du givrage, augmenter le taux d'injection.
- Les taux d'injection sont pré-réglés à 1 goutte toutes les 30 secondes.

4.3 Préparation d'un nouveau vaporisateur

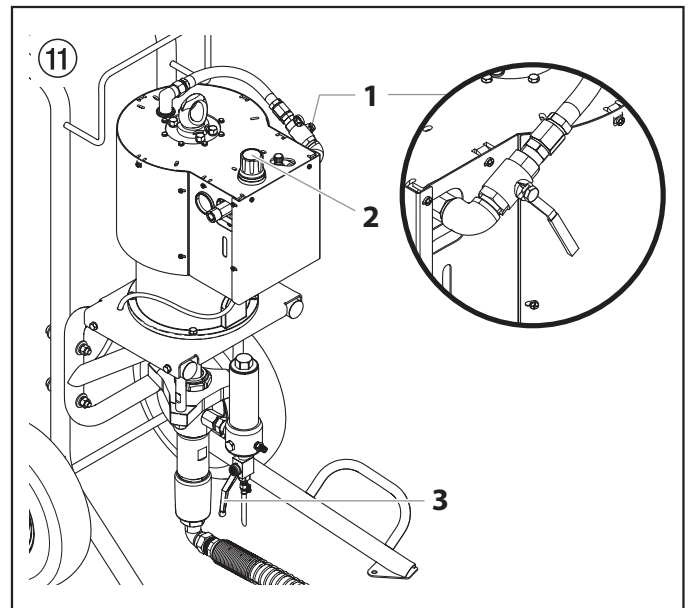
S'il s'agit d'un nouvel appareil, il est livré avec du liquide de test dans la section des liquides pour éviter la corrosion durant le transport et le stockage. Ce fluide doit être soigneusement vidangé du circuit à l'aide de produit de nettoyage avant de commencer à vaporiser.



Attention

Verrouillez toujours la gâchette sur le pistolet vaporisateur pendant la préparation du circuit.

1. Placez le tuyau du siphon dans un conteneur d'essences minérales.
2. Placez un contenant en métal sous le tuyau de purge.
3. Fermez la soupape d'arrêt (fig. 11, pos. 1). La figure montre la poignée à la position fermée.
4. Allumer le compresseur d'air.
5. Tournez le régulateur de débit d'air (2) complètement dans le sens contraire des aiguilles d'une montre à sa plus basse pression.
6. Ouvrez la soupape de décharge (3) en la tournant complètement dans le sens inverse des aiguilles d'une montre. La poignée de la vanne de purge devrait pointer vers le bas.



7. Ouvrez la soupape d'arrêt (1). La poignée devrait maintenant être en ligne avec la vanne.
8. Tournez le régulateur de débit d'air (2) dans le sens des aiguilles d'une montre pour augmenter la pression jusqu'à ce que le pulvérisateur se mette en marche à intervalle régulier et le solvant coule librement du tuyau de purge.
9. Laissez le vaporisateur tourner pendant 15 à 30 secondes pour vidanger le liquide de test du tuyau de vidange vers le conteneur de déchets.
10. Éteignez l'appareil.
 - a. Tournez le régulateur de débit d'air complètement dans le sens contraire des aiguilles d'une montre à sa plus basse pression.
 - b. Fermez la soupape d'arrêt.

4.5 Préparation avant de pulvérisation

Avant de pulvériser, il est important de s'assurer que le fluide dans le système est compatible avec le produit à pulvériser.



Les liquides et peintures incompatibles peuvent boucher les soupapes et obliger l'utilisateur à démonter et nettoyer la section des liquides du vaporisateur.



Verrouillez toujours la gâchette sur le pistolet vaporisateur pendant la préparation du circuit.

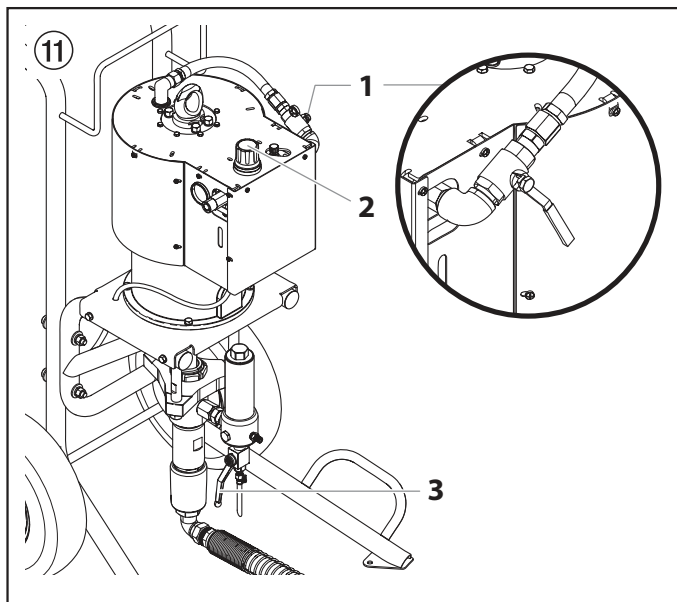
Attention

1. Placez le tuyau du siphon dans un conteneur du solvant approprié.



Si vous vaporisez du latex aqueux, rincez à l'eau propre et tiède. Si vous utilisez un autre matériau, renseignez-vous auprès du fabricant du matériau au sujet du solvant compatible.

2. Placez un contenant en métal sous le tuyau de purge.
3. Fermez la soupape d'arrêt (fig. 11, pos. 1). La figure montre la poignée à la position fermée.
4. Allumer le compresseur d'air.
5. Tournez le régulateur de débit d'air (2) complètement dans le sens contraire des aiguilles d'une montre à sa plus basse pression.
6. Ouvrez la soupape de décharge (3) en la tournant complètement dans le sens inverse des aiguilles d'une montre. La poignée de la vanne de purge devrait pointer vers le bas.



7. Ouvrez la soupape d'arrêt (1). La poignée devrait maintenant être en ligne avec la vanne.
8. Tournez le régulateur de débit d'air (2) dans le sens des aiguilles d'une montre pour augmenter la pression jusqu'à ce que le pulvérisateur se mette en marche à intervalle régulier et le solvant coule librement du tuyau de purge.
9. Laissez le vaporisateur tourner pendant 15 à 30 secondes pour vidanger le liquide de test du tuyau de vidange vers le conteneur de déchets.
10. Éteignez l'appareil.
 - a. Tournez le régulateur de débit d'air complètement dans le sens contraire des aiguilles d'une montre à sa plus basse pression.
 - b. Fermez la soupape d'arrêt.



Assurez-vous qu'aucun embout ou protecteur d'embout n'est installé sur le pistolet vaporisateur.

11. Fermez la soupape de décharge en la tournant complètement dans le sens des aiguilles d'une montre. La poignée de la vanne de purge devrait être horizontale.
12. Ouvrez la soupape d'arrêt (1). La poignée devrait maintenant être en ligne avec la vanne. Le système est maintenant sous pression.
13. Tourner le régulateur du débit d'air dans le sens des aiguilles d'une montre pour augmenter la pression jusqu'à ce que le pulvérisateur fonctionne uniformément. Le manomètre du régulateur du débit d'air devrait se trouver entre 4 - 5,5 bar (60-80 PSI).

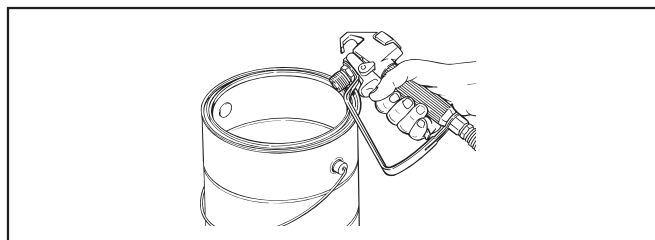


Le régulateur du débit d'air peut être verrouillé en place en poussant sur le bouton. Déverrouiller le régulateur en tirant le bouton.

14. Débloquez le pistolet en faisant passer la gâchette du pistolet vers la position de déblocage.



Reliez le pistolet à la terre en le maintenant contre le bord du conteneur en métal lors du rinçage. Si cette précaution n'est pas respectée, il peut se former une décharge électrique statique pouvant à son tour provoquer un incendie.



15. Déclenchez le pistolet dans le conteneur de déchets en métal jusqu'à ce que le solvant usagé soit vidangé et que du solvant frais sorte du pistolet.
16. Bloquez le pistolet en faisant passer la gâchette du pistolet vers la position de blocage.



RISQUE ÉVENTUEL D'INJECTION

Consultez le manuel du pistolet pulvérisateur pour obtenir des renseignements concernant le mécanisme de verrouillage et la façon de verrouiller convenablement le pistolet pulvérisateur.

17. Déposer le pistolet et augmenter la pression en tournant lentement le régulateur d'air dans le sens des aiguilles d'une montre jusqu'au maximum de 6,9 bar (100 PSI).



NE PAS dépasser une lecture de 6,9 bar (100 PSI) sur le manomètre du régulateur du débit d'air.

18. Vérifiez si le système ne présente pas de fuite. En cas de fuite, suivez la « Procédure de décharge de pression » décrite dans ce manuel avant de serrer les raccords ou les tuyaux.
19. Suivez la « Procédure de décharge de pression » (section 4.6) décrite dans ce manuel avant de passer du solvant à la peinture.



Assurez-vous de bien suivre la Procédure de décharge de pression lorsque vous arrêtez l'appareil pour une raison quelconque, y compris lors de l'entretien ou du réglage d'une pièce du circuit de vaporisation, du remplacement ou du nettoyage des embouts de vaporisation, ou lors de la préparation au nettoyage.

4.6 Pulvérisation

1. Placez le tuyau de siphon dans un conteneur de peinture.
2. Placez le tuyau de décharge dans un conteneur de déchets en métal.

3. Fermez la soupape d'arrêt (fig. 11, pos. 1). La figure montre la poignée à la position fermée.
4. Allumer le compresseur d'air.
5. Tournez le régulateur de débit d'air (2) complètement dans le sens contraire des aiguilles d'une montre à sa plus basse pression.
6. Ouvrez la soupape de décharge en la tournant complètement dans le sens inverse des aiguilles d'une montre. La poignée de la vanne de purge devrait pointer vers le bas.
7. Ouvrez la soupape d'arrêt (1). La poignée devrait maintenant être en ligne avec la vanne.
8. Tournez le régulateur de débit d'air (2) dans le sens des aiguilles d'une montre pour augmenter la pression jusqu'à ce que le pulvérisateur se mette en marche à intervalle régulier et le matériau à pulvériser coule librement du tuyau de purge.
9. Éteignez l'appareil.
 - a. Tournez le régulateur de débit d'air complètement dans le sens contraire des aiguilles d'une montre à sa plus basse pression.
 - b. Fermez la soupape d'arrêt.
10. Démontez le tuyau de purge du conteneur de déchets et placez-le dans le conteneur de matériau à pulvériser.
11. Fermez la vanne de purge en la tournant au maximum, dans le sens des aiguilles d'une montre.
12. Ouvrez la soupape d'arrêt. La poignée devrait maintenant être en ligne avec la vanne.
13. Tourner le régulateur du débit d'air dans le sens des aiguilles d'une montre pour augmenter la pression jusqu'à ce que le pulvérisateur fonctionne uniformément. Le manomètre du régulateur du débit d'air devrait se trouver entre 4 - 5,5 bar (60-80 PSI).
14. Débloquez le pistolet en faisant passer la gâchette du pistolet vers la position de déblocage.



Reliez le pistolet à la terre en le maintenant contre le bord du conteneur en métal lors du rinçage. Si cette précaution n'est pas respectée, il peut se former une décharge électrique statique pouvant à son tour provoquer un incendie.

15. Déclenchez le pistolet dans le conteneur de déchets en métal jusqu'à ce que le solvant et l'air soient vidangés et que de la peinture sorte du pistolet.
16. Bloquez le pistolet en faisant passer la gâchette du pistolet vers la position de blocage.
17. Fermez la soupape d'arrêt (fig. 11, pos. 1). La figure montre la poignée à la position fermée.
18. Fixez la protection d'embout au pistolet comme indiqué sur la protection d'embout ou sur les manuels d'embouts.



RISQUE ÉVENTUEL D'INJECTION

Ne vaporisez pas si la protection d'embout n'est pas montée. Ne déclenchez jamais le pistolet si l'embout n'est pas en position de vaporisation ou débouché. Engagez toujours le verrouillage de la gâchette du pistolet avant de démonter, de remplacer ou de nettoyer l'embout.

19. Ouvrez la soupape d'arrêt (1). La poignée devrait maintenant être en ligne avec la vanne.
20. Augmenter la pression en tournant lentement le régulateur d'air dans le sens des aiguilles d'une montre et pulvériser la peinture sur une surface d'essai afin de vérifier la forme du jet. Il suffit d'ajuster le régulateur pour obtenir la forme de jet recherchée. Vérifier la pression sur le manomètre.
 - La pression de la peinture est directement proportionnelle à la pression de l'air.
 - **Exemple : PowrCoat 45:1**
Lecture de 6,9 bar (100 PSI) au manomètre à air = 310 bar (4500 PSI) à l'orifice de refoulement de pompe.



NE PAS dépasser une lecture de 6,9 bar (100 PSI) sur le manomètre du régulateur du débit d'air.

21. Une fois la bonne pression d'air établie, verrouiller le régulateur d'air en poussant sur le bouton.



Utiliser une pression plus haute que nécessaire ne fera qu'user les buses. Consulter les lignes directrices afin de déterminer la plus basse pression permettant la pulvérisation.

Consulter les lignes directrices du fabricant des matériaux afin de déterminer la bonne pression d'air.

4.6 Procédure de décharge de pression

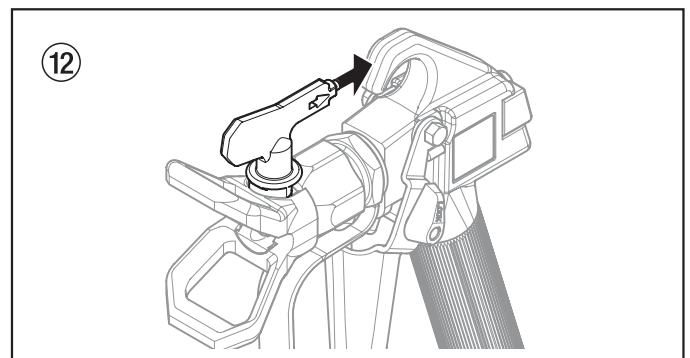


Assurez-vous de bien suivre la procédure de décharge de pression lorsque vous arrêtez l'appareil pour une raison quelconque, y compris lors de l'entretien ou du réglage d'une pièce du circuit de vaporisation, du remplacement ou du nettoyage des embouts de vaporisation ou lors de la préparation au nettoyage.

1. Bloquez le pistolet en faisant passer la gâchette du pistolet vers la position de blocage.
2. Fermez la soupape d'arrêt
3. Ouvrez la vanne de purge en la tournant au maximum dans le sens contraire des aiguilles d'une montre.
4. Débloquez le pistolet en faisant passer la gâchette du pistolet vers la position de déblocage.
5. Maintenez fermement la partie métallique du pistolet contre un conteneur de déchets en métal pour décharger l'électricité statique du pistolet.
6. Enclenchez le pistolet pour éliminer toute pression résiduelle dans le tuyau.
7. Bloquez le pistolet en faisant passer la gâchette du pistolet vers la position de blocage.

4.7 Nettoyage d'une buse obstruée

1. Suivez la « Procédure de décharge de pression » décrite au paragraphe Fonctionnement du présent manuel.
2. Si la buse est obstruée, faites tourner la poignée de la buse à 180° jusqu'à ce que la flèche figurant sur la poignée indique l'opposé de la direction de pulvérisation et que la poignée s'enclenche en position inversée.



3. Appuyez une fois sur la détente du pistolet pour que la pression débouche la buse. N'appuyez JAMAIS deux fois de suite sur la détente lorsque la buse est dans la position inversée. Cette procédure peut être répétée jusqu'à ce que la buse ne soit plus obstruée.



Le flux sortant de la buse de pulvérisation est à très forte pression. Tout contact avec une quelconque partie du corps peut s'avérer dangereux. Ne mettez pas de doigt sur l'embout du pistolet. Ne visez personne avec le pistolet. N'utilisez jamais le pistolet pulvérisateur sans disposer du protège-embout approprié.

5. Nettoyage



Attention

Le pulvérisateur, le tuyau et le pistolet doivent être soigneusement nettoyés tous les jours après utilisation. Le non-respect de ces consignes peut mener à une agglutination du matériau et donc considérablement endommager la performance de l'appareil.



Lorsque vous utilisez des essences minérales ou tout autre solvant pour nettoyer le pulvérisateur, le tuyau ou le pistolet, vaporisez toujours à la pression minimale avec l'embout du pistolet démonté. L'accumulation d'électricité statique peut entraîner un incendie ou une explosion en présence de vapeurs inflammables.

5.1 Consignes spéciales de nettoyage lors de l'utilisation du pistolet avec des solvants inflammables

- Rincez toujours le pistolet pulvérisateur de préférence à l'extérieur et au moins à une longueur de tuyau de la pompe de pulvérisation.
- Si vous recueillez les solvants vidangés dans un conteneur en métal d'un gallon (environ 3,780 litres), placez celui-ci dans un conteneur vide de 5 gallons (environ 19 litres), puis vidangez les solvants.
- La zone doit être totalement débarrassée de vapeurs inflammables.
- Respectez toutes les consignes de nettoyage.

5.2 Nettoyage du pulvérisateur

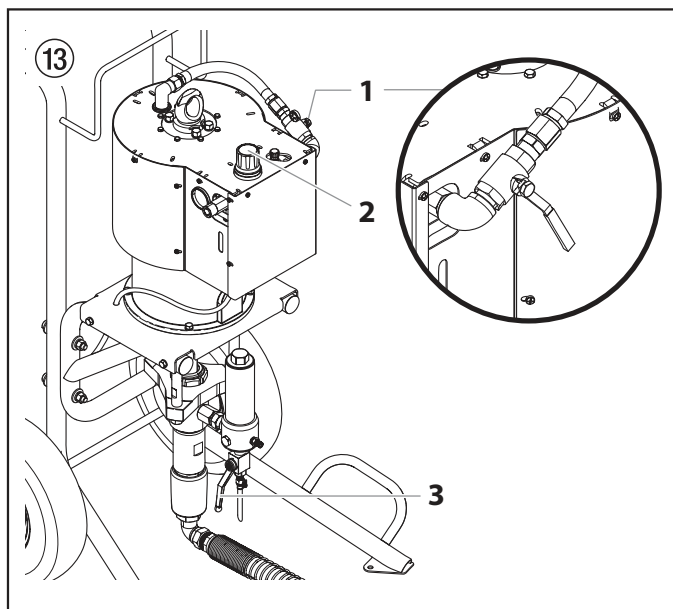
1. Suivez la « Procédure de décharge de pression » décrite au paragraphe Fonctionnement de ce manuel (section 4.6).
2. Démontez l'embout du pistolet et la protection d'embout puis procédez au nettoyage en utilisant une brosse et un solvant approprié.
3. Placez le tuyau du siphon dans un conteneur du solvant approprié.



Attention

Utilisez des solvants compatibles lors du nettoyage de peintures laquées, de laques, de peinture à base de brai et d'époxy. Vérifiez auprès du fabricant du liquide le solvant recommandé pour ce liquide.

4. Placez un contenant en métal sous le tuyau de purge.
5. Fermez la soupape d'arrêt (fig. 13, pos. 1). La figure montre la poignée à la position fermée.
6. Allumer le compresseur d'air.
7. Tournez le régulateur de débit d'air (2) complètement dans le sens contraire des aiguilles d'une montre à sa plus basse pression.
8. Ouvrez la vanne de purge en la tournant au maximum, dans le sens contraire des aiguilles d'une montre. La poignée de la vanne de purge devrait pointer vers le bas.



9. Ouvrez la soupape d'arrêt (fig. 13, pos. 1). La poignée devrait maintenant être en ligne avec la vanne.
10. Laissez le solvant circuler dans l'appareil et vidangez la matière à pulvériser par le tuyau de purge dans le conteneur de déchets en métal.
11. Fermez la soupape d'arrêt (fig. 13, pos. 1). La figure montre la poignée à la position fermée.
12. Fermez la soupape de décharge en la tournant complètement dans le sens des aiguilles d'une montre.
13. Ouvrez la soupape d'arrêt (1). La poignée devrait maintenant être en ligne avec la vanne.



Reliez le pistolet à la terre en le maintenant contre le bord du conteneur en métal lors du rinçage. Si cette précaution n'est pas respectée, il peut se former une décharge électrique statique pouvant à son tour provoquer un incendie.

14. Déclenchez le pistolet dans le conteneur de déchets en métal jusqu'à ce que la peinture soit vidangée et que du solvant sorte du pistolet.
15. Continuez à déclencher le pistolet dans le conteneur de déchets en métal jusqu'à ce que le solvant sortant du pistolet soit propre.



Pour un stockage prolongé ou dans des conditions climatiques froides, pompez de l'essence minérale dans tout le circuit.

16. Suivez la « Procédure de décharge de pression » décrite au paragraphe Fonctionnement de ce manuel.
17. Conservez l'outil dans un endroit sec et propre.



Attention

Ne stockez pas l'appareil sous pression.

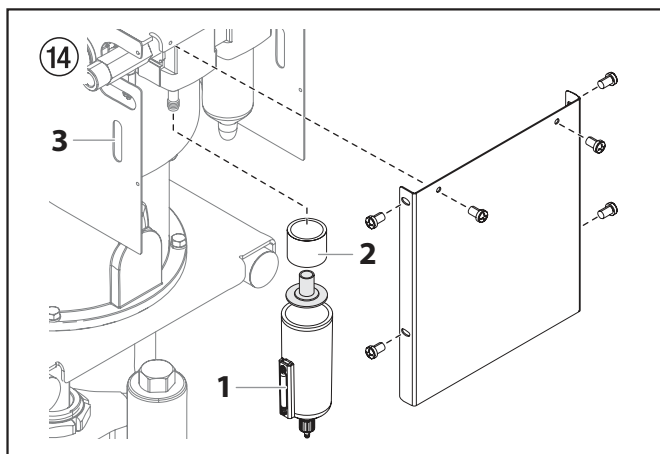
5.3 Nettoyage du filtre à air

Le filtre à air retire les débris et les particules qui pourraient se trouver dans l'air fourni par le compresseur d'air. Il est important de vérifier ce filtre après chaque utilisation.

1. Suivez la « Procédure de décharge de pression » décrite au paragraphe Fonctionnement de ce manuel (section 4.6).
2. Retirez les six vis qui retiennent le capot avant et retirez le capot.
3. Dévisser le logement de filtre (1) qui se trouve sous le capot du moteur pneumatique.
4. Retirer et inspecter le filtre (2) à l'intérieur du réservoir. S'il est sale, le nettoyer avec de l'eau chaude savonneuse.
5. Replacer le filtre dans le logement. Visser le logement en position sous le capot du moteur.



Lorsque le logement de filtre est bien remplacé, la flèche « vers le haut » (▲) devrait être visible à l'intérieur de la fenêtre d'observation (3).



6. Entretien



Avant de continuer, suivez la procédure de réduction de pression précédemment exposée dans ce manuel. Respectez également tous les autres avertissements afin de minimiser les risques de blessures dus à des projections ou à des pièces mobiles ou les risques de décharge électrique. Débranchez toujours le pulvérisateur avant de procéder à son entretien !

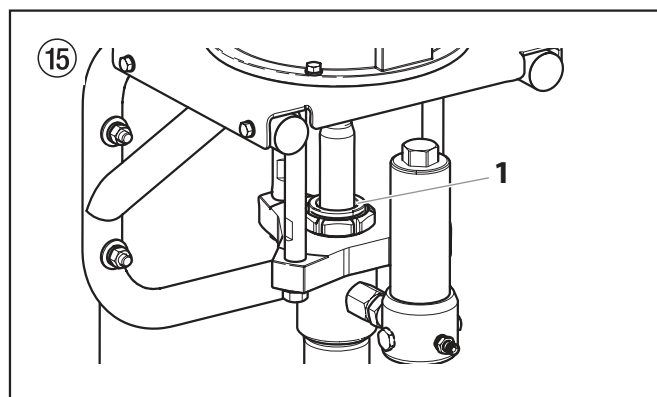
6.1 Entretien quotidien

Deux procédures quotidiennes sont requises afin de procéder à l'entretien régulier de ce pulvérisateur.

- A. Lubrification des garnitures supérieures.
- B. Nettoyage de la crépine.

A) Lubrification des garnitures supérieures

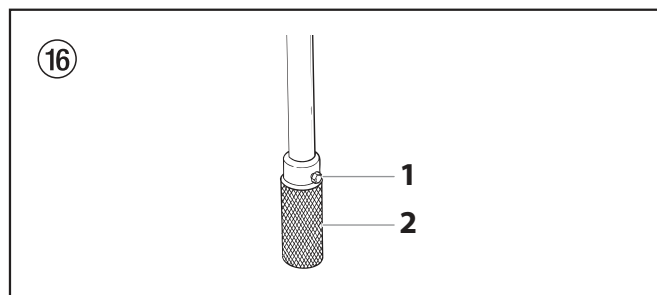
1. Ôtez la peinture qui a coulé derrière les garnitures supérieures dans le collecteur d'huile (fig. 15, pos. 1) situé au-dessus de la section des liquides.
2. Remplissez le collecteur d'huile à moitié avec de l'huile Piston Lube (n° de pièce 314-480) fournie par le fabricant. Cela permet d'accroître la durée de vie de l'équipement.



Ne remplissez pas trop le collecteur d'huile de façon à éviter que l'huile ne déborde et ne se déverse dans la peinture.

B) Nettoyage de la crépine

1. La crépine s'obstrue et doit être nettoyée au moins une fois par jour.
2. Desserrez l'écrou (fig. 16, pos 1) qui relie la crépine au tube du siphon.
3. Extrayez la crépine (2) du bas du tube du siphon.
4. Nettoyez-le soigneusement avec le solvant adéquat.



6.2 Entretien du filtre

Nettoyez régulièrement le filtre. Les filtres sales ou obstrués peuvent réduire de manière considérable la capacité filtrante de l'appareil et occasionner un certain nombre de problèmes dans le système (faible pulvérisation, buses obstruées, etc).

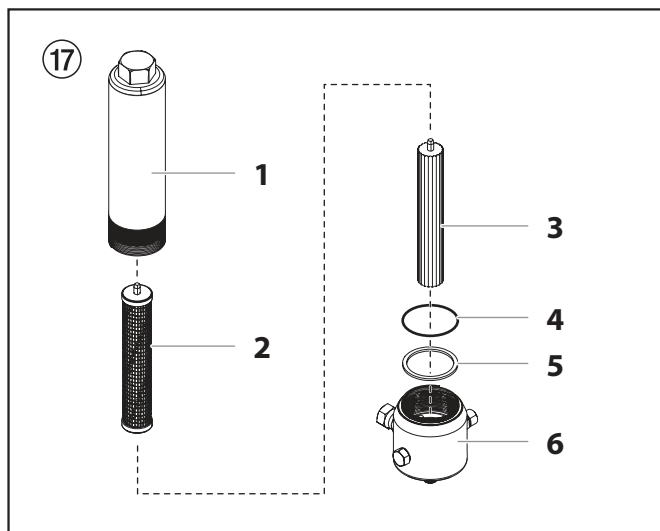
Nettoyage (fig. 17)

1. Suivez la « Procédure de décharge de pression » décrite au paragraphe Fonctionnement du présent manuel.
2. Ôte le bouchon (1) du filtre.
3. Ôtez l'élément (2) avec support (3) du filtre par le haut du corps du filtre (6).
4. Nettoyez à l'intérieur du corps du filtre, l'élément et le bouchon au moyen d'un solvant approprié.



Manipulez les pièces avec soin car toute impureté, saleté, rayure ou encoche peut empêcher les joints toriques ou les joints d'adhérer.

Cet élément filtrant filtre à partir de l'extérieur. Veillez à nettoyer soigneusement de l'élément du filtre. Trempez-le dans le solvant de manière à ramollir la peinture sèche ou remplacez-le.



Inspection (fig. 17)

Inspectez toutes les pièces du filtre avant de le remonter.

1. Inspectez à l'intérieur de l'élément du filtre. Si la support présente des coupures ou des rayures liées à la pression, remplacez l'élément du filtre.
2. Vérifier si les deux joints en PTFE (4, 5) sont tordus, entaillés ou coupés. Les remplacer, au besoin.

Remontage (fig. 17)

Après avoir nettoyé et inspecté toutes les pièces, rassemblez le filtre.

1. Placez l'élément (2) avec support (3) dans le corps du filtre (6).
2. Placez le joint en PTFE (5) fin sur le pas en haut du corps du filtre (6).
3. Placez le joint torique (4) en PTFE dans la rainure de la base du filetage du corps de filtre (6).
4. Serrez le bouchon du filtre (1) au corps du filtre (6).

6.3 Entretien du moteur pneumatique

Les moteurs pneumatiques exigent un entretien régulier et une inspection en service après 1500 heures. La procédure d'entretien comprend le remplacement de la trousse d'entretien du moteur. Il est préférable de garder une trousse d'entretien du moteur à portée de la main pour l'entretien régulier et les réparations d'urgence. Vérifier les spécifications du modèle particulier pour les bons numéros de pièce.

6.4 Entretien de la pompe des fluides

Si le pulvérisateur doit ne pas être utilisé pendant une longue période, il est conseillé, suite au nettoyage, d'introduire un Liquid Shield™ faisant office de conservateur. Les garnitures tendent à sécher lorsqu'elles ne sont pas utilisées. Cela s'applique notamment à l'ensemble des garnitures supérieures pour lesquelles il est recommandé de recourir à Piston Lube (n° de pièce 314-480) pour une utilisation normale.

Si le pulvérisateur n'a pas été utilisé pendant une longue période, il peut s'avérer utile d'amorcer la pompe avec un solvant. Il est extrêmement important que les filets du raccord du tuyau d'aspiration soient correctement fixés. Toute fuite d'air pourrait occasionner un fonctionnement irrégulier du pulvérisateur et pourrait endommager le système. Les courses ascendantes et descendantes doivent être approximativement similaires en terme de temps (l'une ne doit pas être plus rapide que l'autre). Une course ascendante ou descendante trop rapide pourrait indiquer la présence d'air dans le système ou un mauvais fonctionnement de la soupape ou des sièges (reportez-vous à la section consacrée au dépannage).

7. Dépannage

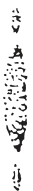
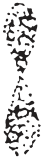



7.1 Pistolet sans air

Problème	Cause	Solution
A. Le pistolet projette par erreur	<ol style="list-style-type: none"> 1. Présence d'air dans le circuit 2. Pistolet sale 3. Dérèglement de l'aiguille 4. Siège de soupape endommagé ou fêlé 	<ol style="list-style-type: none"> 1. Inspectez les raccords pour détecter une éventuelle fuite d'air. 2. Démontez et nettoyez. 3. Inspectez et réglez. 4. Inspectez et remplacez.
B. Le pistolet ne s'arrête pas	<ol style="list-style-type: none"> 1. Aiguille & siège endommagés ou usés 2. Dérèglement de l'aiguille 3. Pistolet sale 	<ol style="list-style-type: none"> 1. Remplacez. 2. Réglez. 3. Nettoyez.
C. Le pistolet ne pulvérise pas	<ol style="list-style-type: none"> 1. Absence de peinture 2. Filtre ou embout obstrués 3. Aiguille du pistolet endommagée 	<ol style="list-style-type: none"> 1. Vérifiez l'alimentation en fluide. 2. Nettoyez. 3. Remplacez.
D. Alimentation de produit insuffisante	<ol style="list-style-type: none"> 1. Le réglage du débit de produit est trop bas. 2. Le filtre du pistolet ou de la pompe à haute pression est obstrué. 3. La buse est bloquée. 4. La buse est trop petite. 	<ol style="list-style-type: none"> 1. Augmentez le débit de produit à la pompe. 2. Nettoyez ou remplacez le filtre du pistolet ou le filtre de la pompe à haute pression. 3. Nettoyez la buse. 4. Choisissez une buse plus grande (consultez le Tableau des buses à jet porté).
E. Type de jet faible	<ol style="list-style-type: none"> 1. La buse est trop grande. 2. Le réglage du débit de produit sur la pompe est trop bas. 3. Le produit est trop visqueux. 4. La buse est usée. 	<ol style="list-style-type: none"> 1. Choisissez une buse plus petite. 2. Augmentez le débit de produit à la pompe. 3. Diluez le produit selon les instructions du fabricant. 4. Remplacez par une nouvelle buse.

7.2 Moteur pneumatique

Problème	Cause	Solution
A. Le moteur s'arrête au niveau supérieur ou au niveau inférieur de sa course - l'air ne s'échappe pas lorsque le pistolet est ouvert.	<ol style="list-style-type: none"> 1. La tige de piston est desserrée là où elle se raccorde à la section des liquides. 2. Les ressorts de déclenchement ou le ressort de soupape sont brisés. 3. Le moteur est grippé à cause du givrage ou d'un manque de lubrification. 	<ol style="list-style-type: none"> 1. Serrez le raccord. 2. Inspectez et remplacez, au besoin. 3. Ajoutez de l'huile non détergente de grade 30 à l'huileur manuel. Si le problème persiste, installez un séparateur d'humidité et un lubrificateur automatique.
B. Le moteur s'arrête, de l'air sort de l'échappement lorsque le pistolet est ouvert.	<ol style="list-style-type: none"> 1. Voir ci-dessus. 2. La soupape d'air est coincée. 3. Les joints toriques sont usés ou endommagés. 	<ol style="list-style-type: none"> 1. Voir ci-dessus. 2. Retirez un dispositif de retenue du déclenchement, un ressort de déclenchement et une bille. Montez ou descendez le distributeur à tiroir cylindrique, lubrifiez-le, remontez-le et redémarrez-le. 3. Installez la trousse secondaire d'entretien du moteur et suivez les directives de la section Entretien général du manuel. <p>S'il y a de la poussière ou de la saleté à l'intérieur du moteur, vérifiez si l'alimentation d'air est contaminée.</p>

7.3 Répartition de la pulvérisation

Problème	Cause	Solution
<p>A. Traînées</p> 	<p>1. Sortie de liquide incorrecte</p>	<p>1. Le liquide ne s'atomise pas correctement. Augmentez la pression du liquide. Changez pour un embout au diamètre plus petit. Réduisez la viscosité du liquide. Réduisez la longueur du tuyau. Nettoyez le pistolet et le(s) filtre(s). Réduisez le nombre de pistolets utilisant la pompe.</p>
<p>B. Sablier</p> 	<p>1. Sortie de liquide incorrecte</p>	<p>1. Cf. ci-avant.</p>
<p>C. Déformation</p> 	<p>1. L'embout de la buse est obstrué ou usé</p>	<p>1. Nettoyez ou remplacez l'embout.</p>
<p>D. Pulvérisation qui s'étend et se rétracte (surtension)</p> 	<p>1. Fuite d'aspiration 2. Sortie de liquide par à-coups</p>	<p>1. Détectez toute fuite éventuelle du tuyau d'aspiration. 2. Changez pour un embout au diamètre plus petit. Installez un amortisseur de pulsations dans le circuit ou purgez l'appareil. Réduisez le nombre de pistolets utilisant la pompe. Débloquez le circuit, nettoyez le filtre de l'embout si le filtre est utilisé.</p>
<p>E. Pulvérisation arrondie</p> 	<p>1. Embout usé 2. Liquide trop dense pour l'embout</p>	<p>1. Remplacez l'embout. 2. Augmentez la pression. Diluez le produit. Changez l'embout de la buse.</p>

7.4 Section des liquides

Problème	Cause	Solution
A. La pompe ne libère du produit que lors de la course ascendante ou monte lentement et descend rapidement (généralement appelé plongée descendante).	<ol style="list-style-type: none"> 1. La bille du clapet de pied inférieur n'est pas stable à cause des dépôts de déchets ou de l'usure 2. Produit trop visqueux pour être aspiré. 3. Présence d'une fuite d'air dans le siphon ou tuyau du siphon endommagé. Le siphon peut être trop petit pour les produits denses. 4. L'écrou presse-garniture supérieur (s'il y a lieu) est desserré ou les garnitures supérieures sont usées. 	<ol style="list-style-type: none"> 1. Ôtez le clapet de pied. Nettoyez et inspectez. Testez le clapet de pied en le remplissant d'eau ; si la bille tombe pour sceller le siège, remplacez la bille. 2. Dilution du produit – contactez le fabricant pour connaître les procédures de dilution appropriées. 3. Serrez tous les raccords situés entre la pompe et le réservoir de peinture. S'ils sont endommagés, remplacez-les. Passez à un siphon de diamètre plus large. 4. Si le fait de serrer l'écrou presse-garniture supérieur ne règle pas le problème, remplacez les garnitures supérieures.
B. La pompe ne libère du produit que dans sa course descendante ou monte rapidement et descend lentement.	<ol style="list-style-type: none"> 1. La bille supérieure n'est pas stable à cause des dépôts de déchets ou de l'usure 2. La garniture inférieure est usée. 	<ol style="list-style-type: none"> 1. Vérifiez le siège supérieur et la bille avec de l'eau. Si la bille ne scelle pas l'ensemble, remplacez le siège. 2. Remplacez l'ensemble des garnitures si elles sont usées.
C. La pompe monte et descend rapidement, en libérant du produit.	<ol style="list-style-type: none"> 1. Le réservoir de produit est vide ou le produit est trop épais pour s'écouler dans le tuyau du siphon. 2. La bille inférieure est collée au siège du clapet de pied. 3. Le tuyau du siphon est tordu ou dévissé. 	<ol style="list-style-type: none"> 1. Remplissez de nouveau produit. Si elle est trop épaisse, retirez le tuyau du siphon, immergez la section des liquides dans le produit et amorcez la pompe. Ajoutez du diluant au produit. Installez un siphon plus grand. Ouvrez la soupape de décharge pour évacuer l'air et redémarrez la pompe. 2. Ôtez le clapet de pied. Nettoyez la bille et le siège. 3. Resserrez.
D. La pompe monte et descend lentement lorsque le pistolet vaporisateur est éteint.	<ol style="list-style-type: none"> 1. Les raccords sont dévissés. La soupape de décharge est partiellement ouverte ou usée. Le siège des garnitures inférieures est usé. 2. La bille supérieure et/ou la bille inférieure ne sont pas stables. 	<ol style="list-style-type: none"> 1. Vérifiez tous les raccords entre la pompe et le pistolet. Resserrez si nécessaire. Si du produit s'écoule du tuyau de décharge, fermez la soupape de décharge ou remplacez-la le cas échéant. Si aucune de ces solutions ne fonctionne, remplacez la garniture inférieure. 2. Remettez la bille en place en la nettoyant.
E. Le pistolet ne dispose pas d'une pression du liquide suffisante.	<ol style="list-style-type: none"> 1. L'embout pulvérisateur est usé. 2. Le compresseur (appareils pneumatiques uniquement) est trop petit. Le filtre de sortie ou le filtre du pistolet est bouché. 3. Tension faible et/ou intensité de courant électrique inappropriée. 4. Taille ou longueur du tuyau trop petite ou trop grande. 	<ol style="list-style-type: none"> 1. Remplacez. 2. Nettoyez ou remplacez le filtre. Recommandez la bonne taille de tuyau et/ou du compresseur d'air. 3. Vérifiez le circuit électrique. Corrigez si besoin est. 4. Augmentez le diamètre du tuyau afin de minimiser la chute de pression le long du tuyau et/ou réduisez la longueur du tuyau.
F. La pompe broute pendant la course ascendante ou descendante.	<ol style="list-style-type: none"> 1. Le solvant a fait gonfler la garniture supérieure. 	<ol style="list-style-type: none"> 1. Desserrez l'écrou presse-garniture de 1/4 de tour (s'il y a lieu) et redémarrez la pompe. Répétez au besoin.

8. Entretien

8.1 Entretien du moteur pneumatique

Les moteurs pneumatiques exigent une inspection d'entretien régulier après 1500 heures de fonctionnement pour les modèles non circulant.

Il est préférable de garder une trousse d'entretien du moteur, à portée de la main pour l'entretien régulier et les réparations d'urgence. Consultez la page suivante pour connaître les numéros de pièce de la trousse d'entretien du moteur.

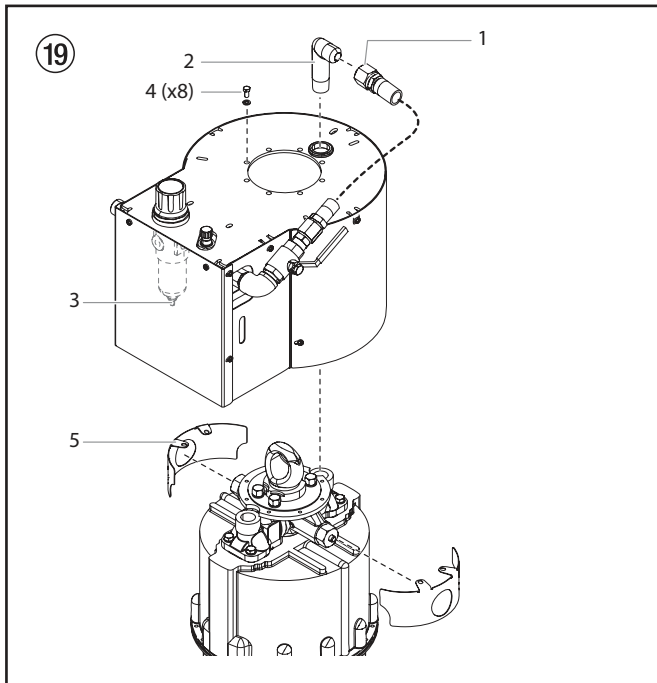
Accès au moteur pneumatique (fig. 19)

Afin de pouvoir accéder au moteur pneumatique, certaines composantes doivent être retirées.



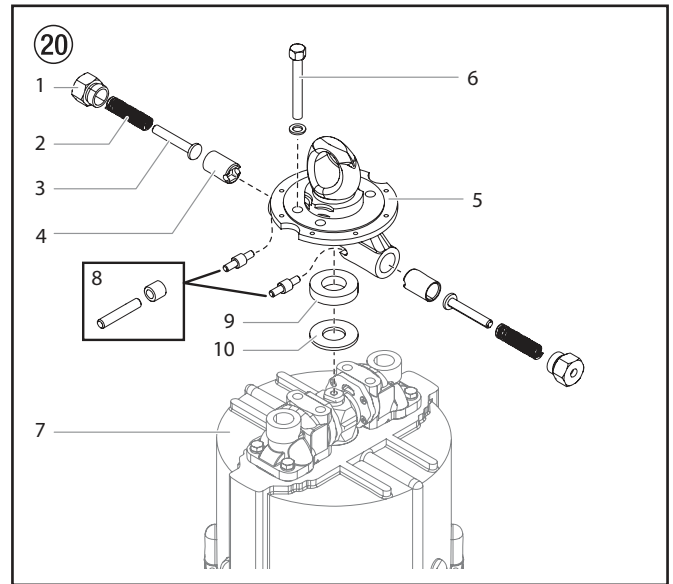
La tige de piston de la pompe doit se trouver à la position de point mort la plus basse avant de procéder aux étapes suivantes. La soupape d'arrêt peut être utilisée pour permettre au pulvérisateur de tourner lentement.

1. Retirez tous les tuyaux externes d'air et de fluides du pulvérisateur.
2. Dévissez le raccord (1) qui fixe le tuyau d'air au raccord coudé (2) sur le dessus du moteur pneumatique.
3. Sous le capot avant, retirez le tuyau d'air propre (3) raccordé au réservoir du régulateur de débit d'air.
4. Retirez les vis (4) et les rondelles qui fixent le capot du moteur au moteur pneumatique. Par la suite, retirez soigneusement l'ensemble complet du moteur pneumatique.
5. Retirez les plaques latérales (5) de chaque côté du moteur pneumatique.



Démontage du moteur pneumatique

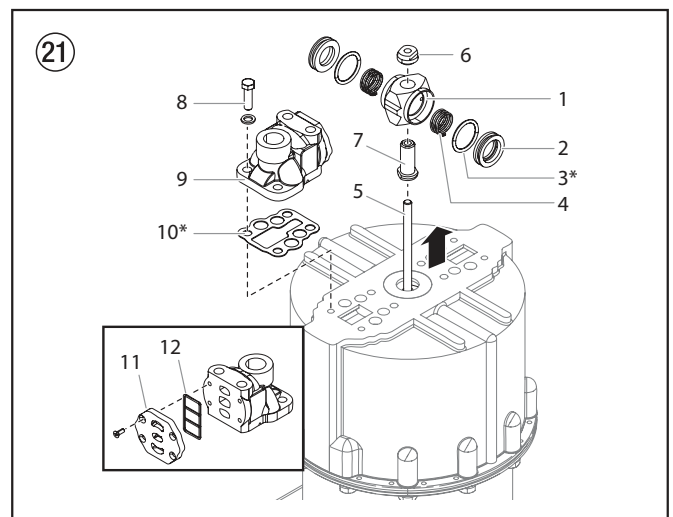
1. Dévissez la rondelle de retenue de ressort (fig. 20, article 1) et retirez le ressort (2), le guide (3) et le piston (4) des deux côtés du logement de l'ergot (5). Inspectez toutes les pièces pour en vérifier l'usure ou les dommages.
2. Retirez les quatre boulons (6) et les rondelles qui fixent le logement de l'ergot (5) au cylindre (7).
3. Retirez l'essieu et l'ensemble du rouleau (8) du dessous du logement de l'ergot (5). Retirez l'essieu du rouleau et vérifiez les deux pièces.
4. Retirez le coussinet (9) et la rondelle plate (10).



5. Tirez le logement du distributeur de tiroir (fig. 21, article 1) vers le haut à la main. Orientez le logement du distributeur de tiroir (1) à 90° afin d'exposer les composantes internes.
6. Retirez la soupape (2), le joint torique (3) et le ressort (4) des deux côtés du logement du distributeur de tiroir. Inspectez ces pièces et le logement du distributeur de tiroir pour en vérifier l'usure ou les dommages.
7. Tirez davantage le logement du distributeur de tiroir (1) vers le haut. À l'aide de pinces, saisissez soigneusement la tige de déclenchement (5) en faisant attention de ne pas endommager la surface de la tige. Tenez la tige en place. À l'aide d'une clé ajustable, retirez l'écrou de la tige de déclenchement (6).
8. Retirez le moyeu (7) de la tige de déclenchement (5).
9. Retirez les boulons (8) qui fixent l'ensemble du collecteur (9) au cylindre. Retirez les deux ensembles de collecteurs (9) et les joints statiques (10) du cylindre.
10. Inspectez les plaques (11) des deux côtés des ensembles des collecteurs. Remplacez-les si elles sont usées ou endommagées.



Si vous remplacez l'une ou l'autre des plaques (11), vous devez également remplacer le joint d'étanchéité de la plaque porte-soupape (12). Retirez les vis de la plaque pour séparer la plaque du collecteur.



11. Retirez le coussinet (fig. 22, article 2) et la rondelle (1).
12. À l'aide d'une douille, retirez le palier (3) du cylindre. Retirez la rondelle (4) et la garniture (5).
13. Dévissez et retirez les vis (6) qui fixent le cylindre (7) à la base du moteur (8). Retirez soigneusement le cylindre.
14. Avec le piston (10) en position basse, placez la clé sur les côtés plats de la tige de piston (9) et déconnectez la tige de piston de la bielle de la pompe (11) en dévissant l'écrou d'accouplement (12). La bielle (11) peut demeurer jointe à la tige de déplacement (13) de la section des liquides.
15. Retirez les écrous de colonne (14) inférieurs et séparez soigneusement la pompe du moteur pneumatique.
16. Retirez la tige de piston (9) et le piston (10) de la base du moteur (8). Assurez-vous de ne pas endommager le joint torique (15) du piston.
17. Placez les côtés plats du goujon pour fixer à piston (16) encore fixé à la tige de piston dans un étau. Placez une clé sur les côtés plats de la tige de piston (9). Dévissez la tige de piston du goujon pour fixer à piston.
18. Retirez la tige de déclenchement (17) de la tige de piston (9). Vérifiez si la tige de déclenchement est entaillée ou endommagée. Une tige de déclenchement endommagée ne peut pas être réparée et doit être remplacée.
19. Retirez la garniture (18) et la rondelle (19).



Pendant le remontage, utilisez toutes les pièces de rechange fournies avec la trousse. Remplacez les autres pièces au besoin.

20. Vérifiez la surface du piston, de la tige de piston et de la paroi du cylindre pour s'assurer qu'il n'y a pas d'égratignures ou d'usure. Une tige de piston endommagée peut causer l'usure excessive des garnitures et par la suite des fuites.

Démontage du moteur pneumatique (fig. 22)

1. Installez la nouvelle rondelle (19) et la nouvelle garniture (18) dans la base du moteur (8).
2. Placez la tige de déclenchement (17) dans la tige de piston (9).
3. Placez une clé sur les côtés plats de la tige de piston (9). Vissez le goujon pour fixer à piston (16) dans la tige de piston. Serrez à un couple de 618 y 683 Nm.
4. Installez le nouveau joint torique (15) dans le piston (10).
5. Placez le nouveau joint statique (20) en place dans la base du moteur (8).
6. Placez l'ensemble du piston (9, 10) dans la base du moteur (8). N'endommagez pas le joint torique (15).
7. Remplacez la garniture (5), la rondelle (4) et le palier (3) sur le cylindre. À l'aide d'une douille, serrez le palier.
8. Abaissez soigneusement le cylindre (7) sur la base du moteur (8). Le dessus de la tige de déclenchement (17) devrait être exposé par le trou sur le dessus.
9. Fixez le cylindre à l'aide des vis du cylindre (6).
10. Remplacez le coussinet (2) et la rondelle (1).
11. Placez la clé sur les côtés plats de la tige de piston (9) et branchez la bielle de la pompe (13) en vissant l'écrou d'accouplement (12).
12. Glissez la pompe sur les colonnes (21) et fixez-la à l'aide des écrous de colonne (14).

Figure 21 -

13. Assurez-vous que les joints statiques (10) du collecteur sont en place sur le dessus du cylindre. Remplacez les ensembles de collecteurs (fig. 21, article 9) sur le cylindre et fixez-le à l'aide des vis (8).
14. Réinstallez le moyeu (7), le ressort (4), le joint torique (3) et le ressort (2) dans le logement du distributeur de tiroir (1).
15. Placez le logement du distributeur de tiroir (1) sur la tige de déclenchement (5) à 90 ° comme à la figure 21.
16. À l'aide de pinces, saisissez soigneusement la tige de déclenchement en faisant attention de ne pas endommager

la surface de la tige. Tenez la tige en place. Remplacez l'écrou de la tige de déclenchement (6) sur la tige de déclenchement et serrez-la à l'aide d'une clé ajustable.

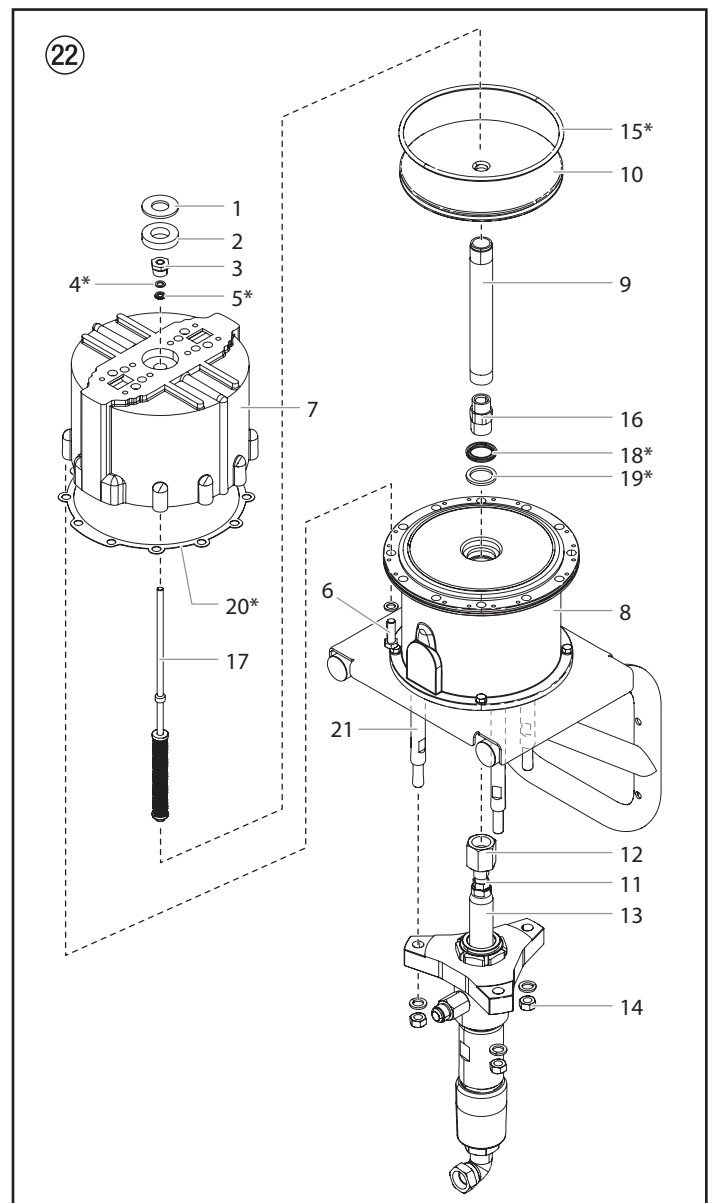
17. Tournez le logement du distributeur de tiroir de 90 ° afin qu'il tombe et touche le cylindre.

Figure 20 -

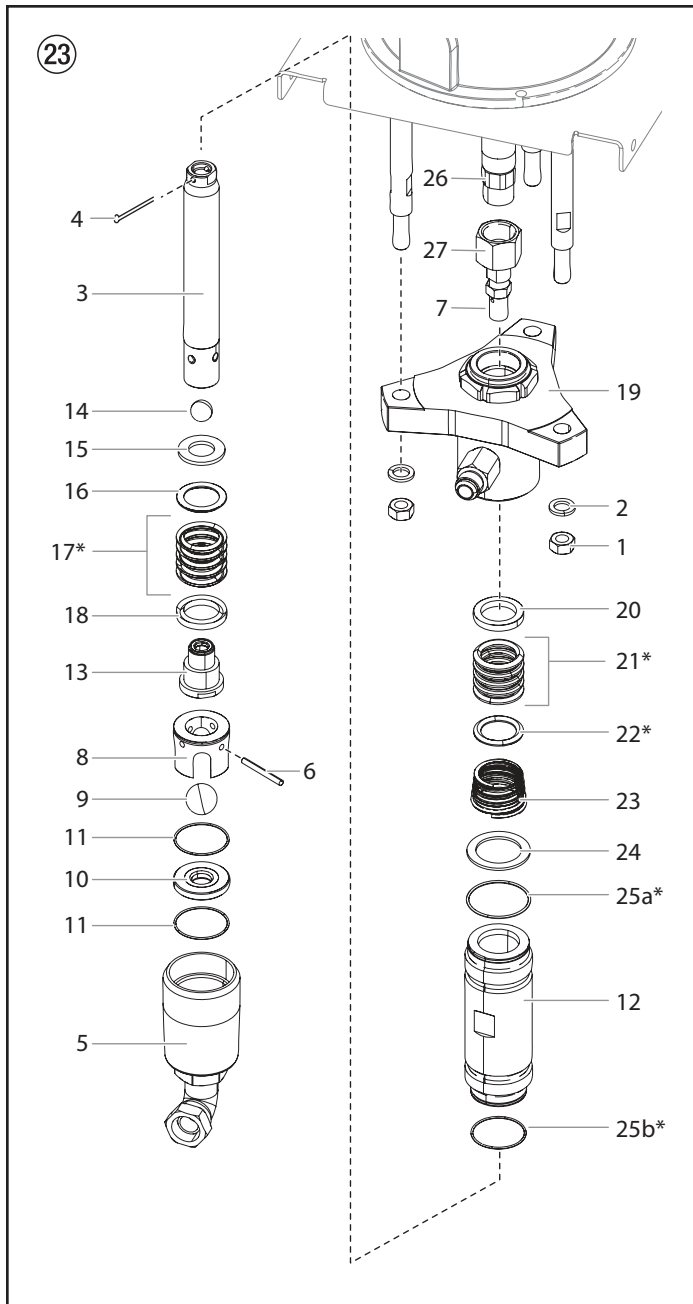
18. Remplacez la rondelle (10) et le coussinet (9) sur le dessus de l'écrou de la tige de déclenchement.
19. Remplacez l'essieu et les ensembles de rouleaux (8) dans le logement de l'ergot (5).
20. Placez le logement de l'ergot (5) sur le cylindre (7). Fixez-le à l'aide de vis (6).
21. Remplacez toutes les composantes (2 à 4) dans le logement de l'ergot (5). Fixez-les à l'aide des rondelles de retenue de ressort (1).
22. Remplacez les plaques extérieures en inversant les étapes 1 à 5 à la section « Accès au moteur pneumatique » à la page précédente.

*Trousse d'entretien

Série 1000	Description
0533925	Trousse d'entretien du moteur



8.2 Entretien de l'ensemble de la pompe



L'utilisation de pièces qui ne sont pas fabriquées par Titan peut annuler la garantie.

Les pompes des séries 630 devraient être réparées, au besoin, s'il y a une fuite excessive de la garniture supérieure ou si le mouvement de pompage s'accélère lors d'un mouvement ou un autre. L'utilisation du lubrifiant de piston, numéro de pièce 314-480 de Titan est recommandé comme lubrifiant de garniture supérieure. **NE PAS UTILISER** de l'huile, de l'eau ou du solvant au lieu du lubrifiant de garniture supérieure.

Procédure de démontage

1. Faites l'essai de la pompe avant le démontage. Suivez la procédure d'essai de la section des liquides du guide de dépannage.
2. Retirez l'ensemble du tuyau-siphon. Retirez les écrous (1) et les rondelles (2) de la colonne.
3. Tenez la tige de piston (3) du moteur pneumatique aux surplats de serrage et dévissez l'écrou d'assemblage (4) pour séparer la pompe du moteur.



Ne jamais utiliser une clé à tube, une pince multiprise, etc. sur la partie chromée de la tige de la section hydraulique, pneumatique ou des liquides.

4. Retirez la goupille (4) qui fixe la tige de déplacement des liquides (3) à la bielle (27).
5. Dévissez et retirez le clapet de pied (7).
6. Retirez le guide de bille (8), la bille (9), la cage de rotule (10) et le joint torique en PTFE (11) du clapet de pied (5). Retirez la queue à rotule (6) du guide de bille (8).
7. Appuyez sur la tige de déplacement (3) le plus possible. Retirez-la par le fonds du cylindre (12).
8. Fixez les côtés plats de la tige de déplacement (3) dans un étau. À l'aide d'une clé, dévissez et retirez le siège de piston (13).
9. Retirez la bille (14), le dispositif de retenue (15) et l'ensemble de la garniture inférieure (16 à 18).
10. Placez le groupe de pompage à l'envers (19) dans un étau. À l'aide d'une clé sur les côtés plats du cylindre (12), dévissez le cylindre du groupe de pompage.
11. Retirez l'ensemble de la garniture supérieure (20 à 22), le ressort supérieur (23) et la coupelle d'appui du ressort (24) du groupe de pompage.
12. Retirez les joints toriques (25a/25b) du haut et du fonds du cylindre.
13. Nettoyez et inspectez toutes les pièces. Vérifiez si le chrome de la tige de piston (3) et du cylindre (12) a des rainures, des défoncements ou s'il est usé. Remplacez le chrome dur qui est endommagé. Inspectez le siège de soupape (10) et remplacez-les s'ils sont fendus ou usés.
14. Réparez la pompe en utilisant toutes les pièces fournies dans la trousse. Remplacez les autres pièces non incluses dans la trousse, au besoin.

Procédure de remontage



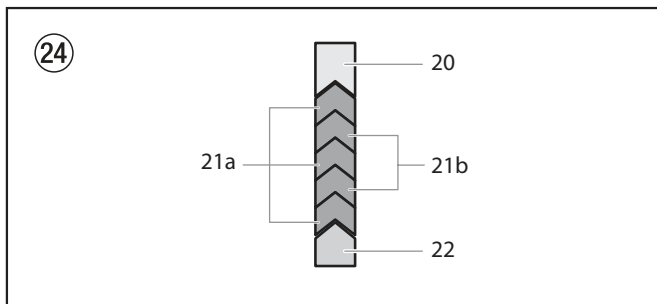
Le groupe de pompage (19) devrait encore se trouver à l'envers dans l'étau.

1. Trempez les garnitures en cuir (21a) dans de l'huile hydraulique pendant 15 à 20 minutes.
Lubrifiez toutes les autres pièces de l'ensemble de la garniture supérieure (20, 21b, 22) avec de l'huile hydraulique. Insérez le fouloir femelle (20), la garniture supérieure (21a/b) et le fouloir mâle (22) dans le fonds du groupe de pompage (19).



Étant donné que le groupe de pompage (19) est à l'envers, l'ensemble de la garniture supérieure sera installé en conséquence, avec le sommet des garnitures en « V » (21) vers le bas.

Lorsque le groupe de pompage est tourné à l'endroit après le remontage, le sommet des garnitures en « V » pointera vers le haut. Consultez la fig. 24 pour l'orientation finale de toutes les pièces de l'ensemble de la garniture supérieure (20 à 22).



2. Insérez le ressort supérieur (23); le petit bout du ressort doit être orienté vers l'ensemble de garniture.
3. Insérez le dispositif de retenue du ressort (24).
4. Installez les nouveaux joints toriques (25) sur le cylindre (12).

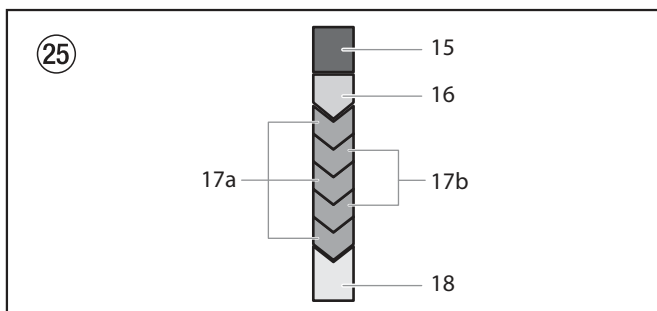


Lubrifiez les joints toriques avant le montage (Piston Lube, N° de pièce 314-480).

5. Vissez le cylindre (12) sur le groupe de pompage (19). Serrez-le à l'aide d'une clé placée sur les côtés plats du cylindre.
6. Trempez les garnitures en cuir (17a) dans de l'huile hydraulique pendant 15 à 20 minutes.
Lubrifiez toutes les autres pièces de l'ensemble de la garniture inférieure (15-16, 17b, 18) avec de l'huile hydraulique. Installez les pièces dans le siège de piston (13) dans l'ordre suivant : dispositif de retenue (15), fouloir (18), ensemble de la garniture inférieure (17a/b) et fouloir (16).



Le sommet du « V » de la garniture (17) doit être orienté vers le bas pendant le remontage.



7. Remettez la bille (14) en place dans le siège de piston (13).
8. Vissez le siège de piston (13) sur la tige de piston (3). Serrez à un couple de 74-88 N.m (55 à 65 pi/lb).



Utilisez du Loctite (N° de pièce 426-051) sur le filetage propre.

9. Passez l'ensemble de la tige de piston (3) à travers l'ensemble de garniture supérieure (20-22) dans le bloc de la pompe (19). Évitez d'égratigner les parois internes du cylindre ou du groupe de pompage. Insérez la tige de déplacement jusqu'à ce que le bout de la tige dépasse du haut du groupe de pompage (19).
10. Retirez le cylindre (12) et le groupe de pompage (19) de l'étau.
11. Remettez la queue à rotule (6) dans le guide de bille (8). Installez le joint torique (11), la cage de rotule (10), la bille (9), le guide de bille (8) et le joint torique (7) dans le clapet de pied (5).
12. Vissez le clapet de pied (5) dans le cylindre (12).



Il n'est pas nécessaire de trop serrer le clapet de pied et le cylindre dans le bloc de la pompe. Les joints toriques scellent sans avoir besoin de trop serrer. Le filetage complet en prise de l'écrou est suffisant. Le clapet de pied (5) peut être tourné de 3/4 de tour du filetage complet pour un meilleur positionnement du tuyau.

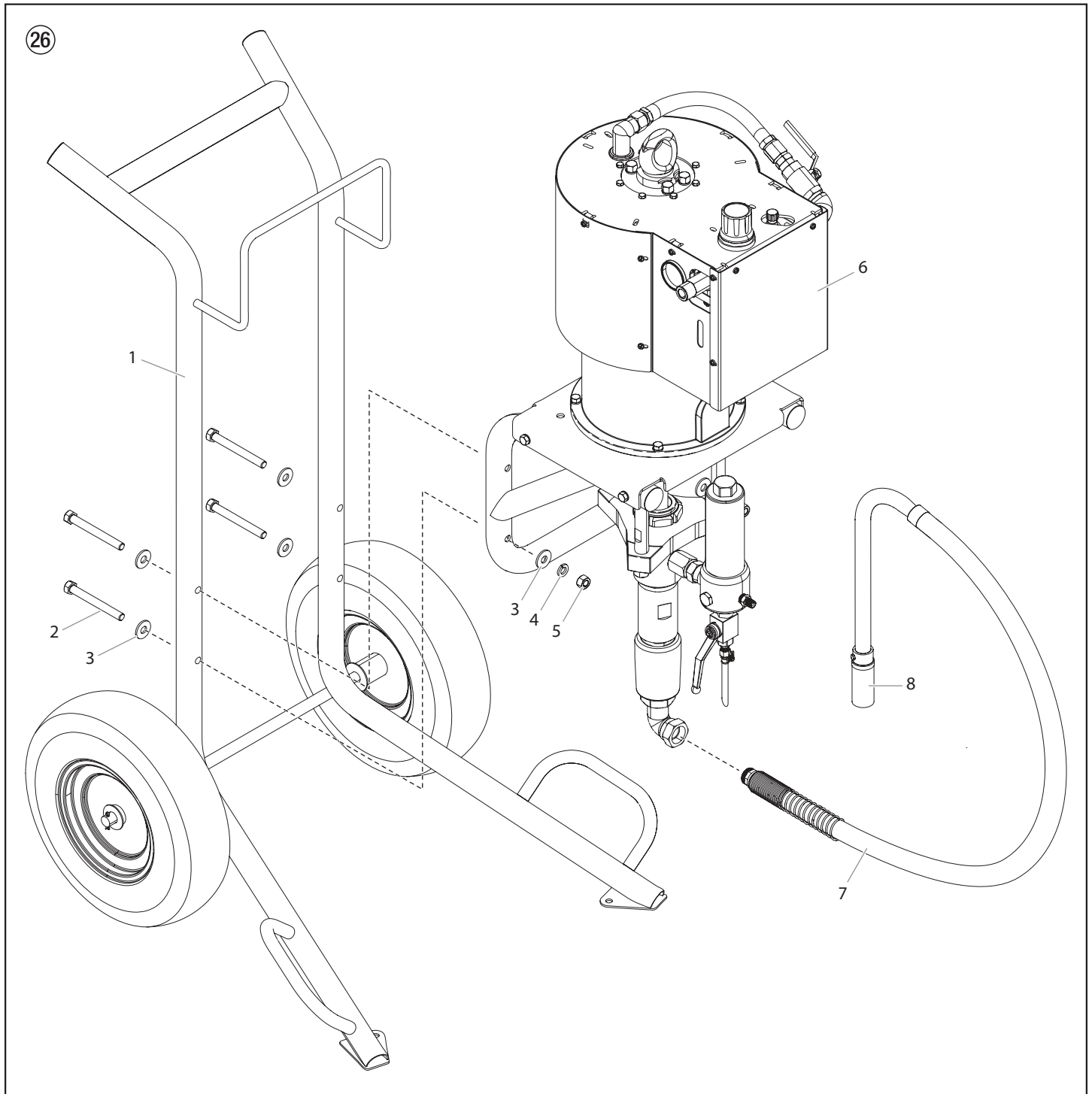
13. Réinstallez la pompe. Alignez le groupe de pompage triangulaire (19) aux colonnes du moteur pneumatique. Fixez-le à l'aide des écrous des colonnes (4).
14. Insérez la bielle (7) dans l'écrou d'assemblage (27) et vissez la bielle (7) dans la tige de piston (3).
15. Alignez les trous de la tige de déplacement (3) et de la bielle (7). Réinsérez la goupille (4).
16. Tenez la tige de piston (26) du moteur pneumatique aux surplats de serrage et vissez l'écrou d'assemblage (27) pour fixer la pompe au moteur.

Trousse d'entretien			
Série 1045	Série 1064	Série 1072	Description
0533936	0533937	0533938	Trousse d'entretien de la pompe (Comprend les articles 4, 9, 11, 14, 16-18, 20-22, 25a/25b et le mastic Loctite 426-051.

Ⓒ Main Assembly

Ⓓ Hauptbaugruppe

Ⓕ Ensemble principal



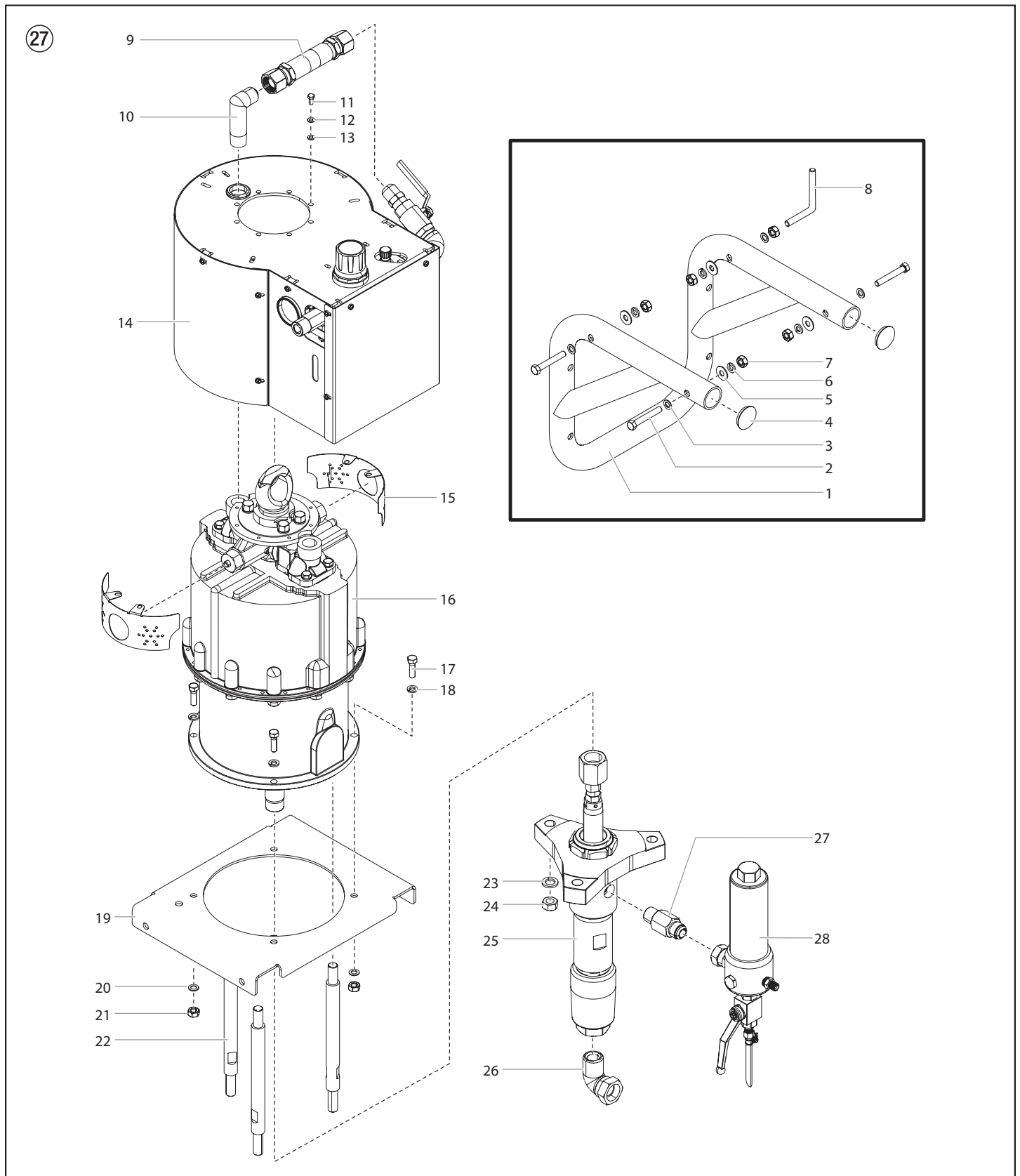
Pos.	1045C 1064C 1072C	1045W 1064W 1072W	(GB) Description	(D) Benennung	(F) Description
1*	0533257	-----	Cart assembly (cart model)	Wagenbaugruppe (Wagenmodell)	Ensemble de chariot (modèles à chariot)
2	9805472	-----	Screw (4)	Schraube (4)	Vis (4)
3	9822649	-----	Washer (8)	Scheibe (8)	Rondelle (8)
4	9822650	-----	Lock washer (4)	Sicherungsscheibe (4)	Rondelle de blocage (4)
5	9812337	-----	Nut (4)	Mutter (4)	Écrou (4)
6*	-----	-----	Wall mount assembly	Baugruppe Wandhalterung	Ensemble de montant mural
7	0533258	0533258	Siphon tube assembly (includes item 8)	Syphonschlauch-baugruppe (beinhaltet Posten 8)	Tuyau du siphon (cComprend le article 8)
8	0533968	0533968	Filter screen	Enlassieb	Grille d'entrée d'air
Optional • Optional • Optional					
	0533259	0533259	Siphon assembly, 55 gallon (includes item 8)	Syphonschlauch-baugruppe, 208 L. (Beinhaltet Posten 8)	Tuyau du siphon, 208 L (comprend le article 8).

- * See separate listing
- * Siehe separate Auflistung
- * voir la liste de pièces distincte

Ⓒ Wall Mount Assembly

Ⓓ Baugruppe Wandhalterung

Ⓕ Ensemble de montant mural



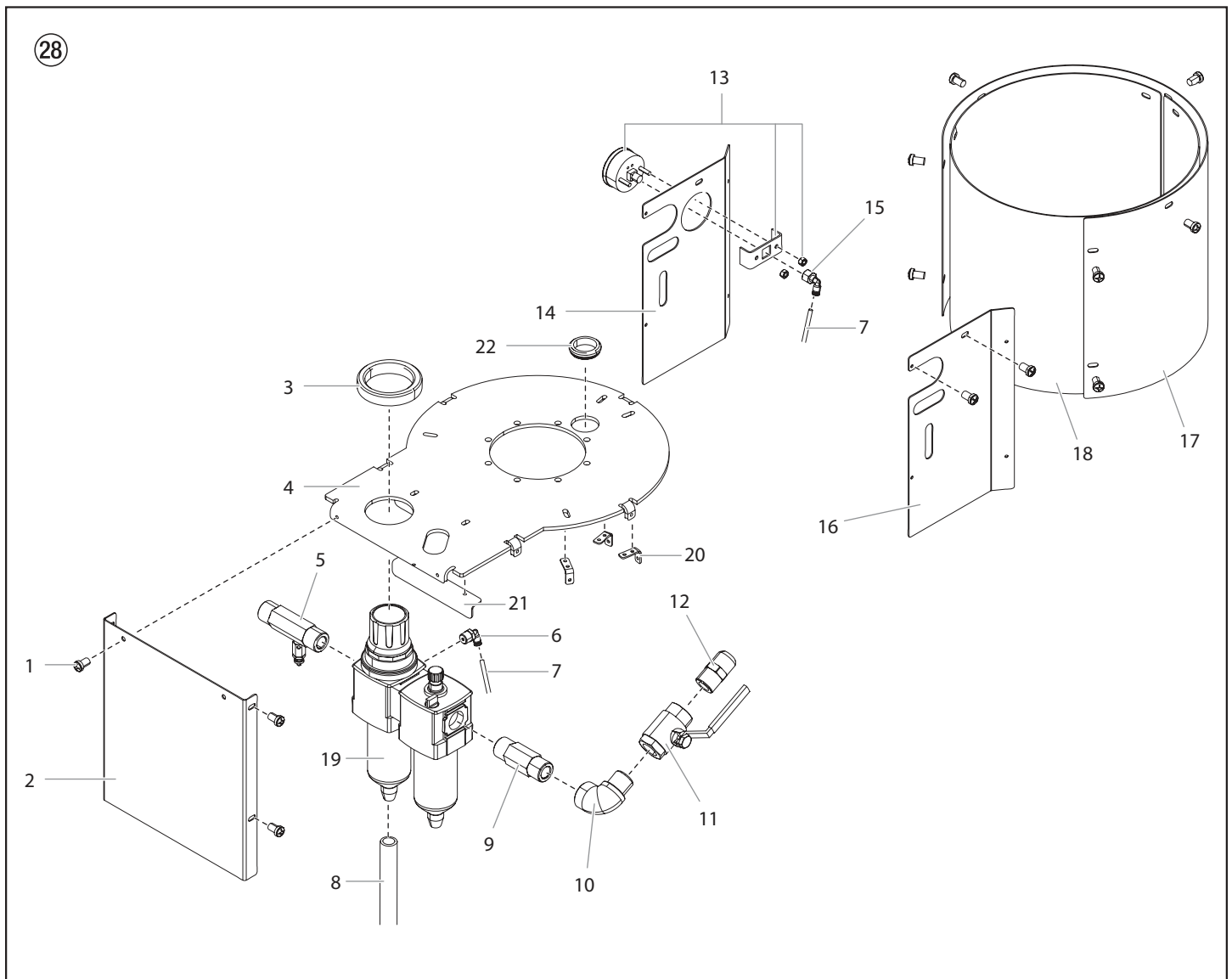
Pos.	1045	1064	1072	(GB) Description	(D) Benennung	(F) Description
1	0533260	0533260	0533260	Wall mount weldment	Rahmen zur Montage an die Wand	Ensemble soudé du montant mural
2	9805426	9805426	9805426	Screw (4)	Schraube (4)	Vis (4)
3	9822651	9822651	9822651	Washer (4)	Scheibe (4)	Rondelle (4)
4	0533969	0533969	0533969	Plug (2)	Stöpsel (2)	Fiche (2)
5	0533970	0533970	0533970	Washer (4)	Scheibe (4)	Rondelle (4)
6	0509292	0509292	0509292	Lock washer (4)	Sicherungsscheibe (4)	Rondelle de blocage (4)
7	9805466	9805466	9805466	Nut (5)	Mutter (5)	Écrou (5)
8	0533979	0533979	0533979	Hook	Haken	Crochet
9	0533971	0533971	0533971	Air tube	Luftschlauch	Tube d'air
10	0533972	0533972	0533972	Elbow, 90°	Winkel, 90°	Coude, 90°
11	858-625	858-625	858-625	Screw (8)	Schraube (8)	Vis (8)
12	9821503	9821503	9821503	Lock washer (8)	Sicherungsscheibe (8)	Rondelle de blocage (8)
13	0533579	0533579	0533579	Washer (8)	Scheibe (8)	Rondelle (8)
14	-----	-----	-----	Upper shroud assembly	Baugruppe obere Abdeckung	Ensemble du logement supérieur
15	0533973	0533973	0533973	Plate (2)	Platte (2)	Plaque (2)
16*	0533261	0533261	0533261	Air motor assembly	Luftmotor	Moteur pneumatique
17	0090026	0090026	0090026	Screw (4)	Schraube (4)	Vis (4)
18	9822652	9822652	9822652	Washer (4)	Scheibe (4)	Rondelle (4)
19	0533974	0533974	0533974	Bracket	Halterung	Support
20	0509292	0509292	0509292	Washer (4)	Scheibe (4)	Rondelle (4)
21	9805466	9805466	9805466	Nut (4)	Mutter (4)	Écrou (4)
22	0533976	0533976	0533976	Stanchion (3)	Stütze (3)	Colonne (3)
23	9822637	9822637	9822637	Washer (3)	Scheibe (3)	Rondelle (3)
24	9812326	9812326	9812326	Nut (3)	Mutter (3)	Écrou (3)
25*	0533262	0533263	0533264	Pump assembly	Flüssigkeitspumpe	Pompe de fluides
26	0533977	0533977	0533977	Elbow, 90°	Winkel, 90°	Coude, 90°
27	0533978	0533978	0533978	Fitting	Beschlag	Raccord
28*	0533265	0533265	0533265	Filter assembly	Filterbaugruppe	Ensemble de filtre

- * See separate listing
- * Siehe separate Auflistung
- * voir la liste de pièces distincte

(GB) Upper shroud assembly

(D) Baugruppe obere Abdeckung

(F) Ensemble du logement supérieur



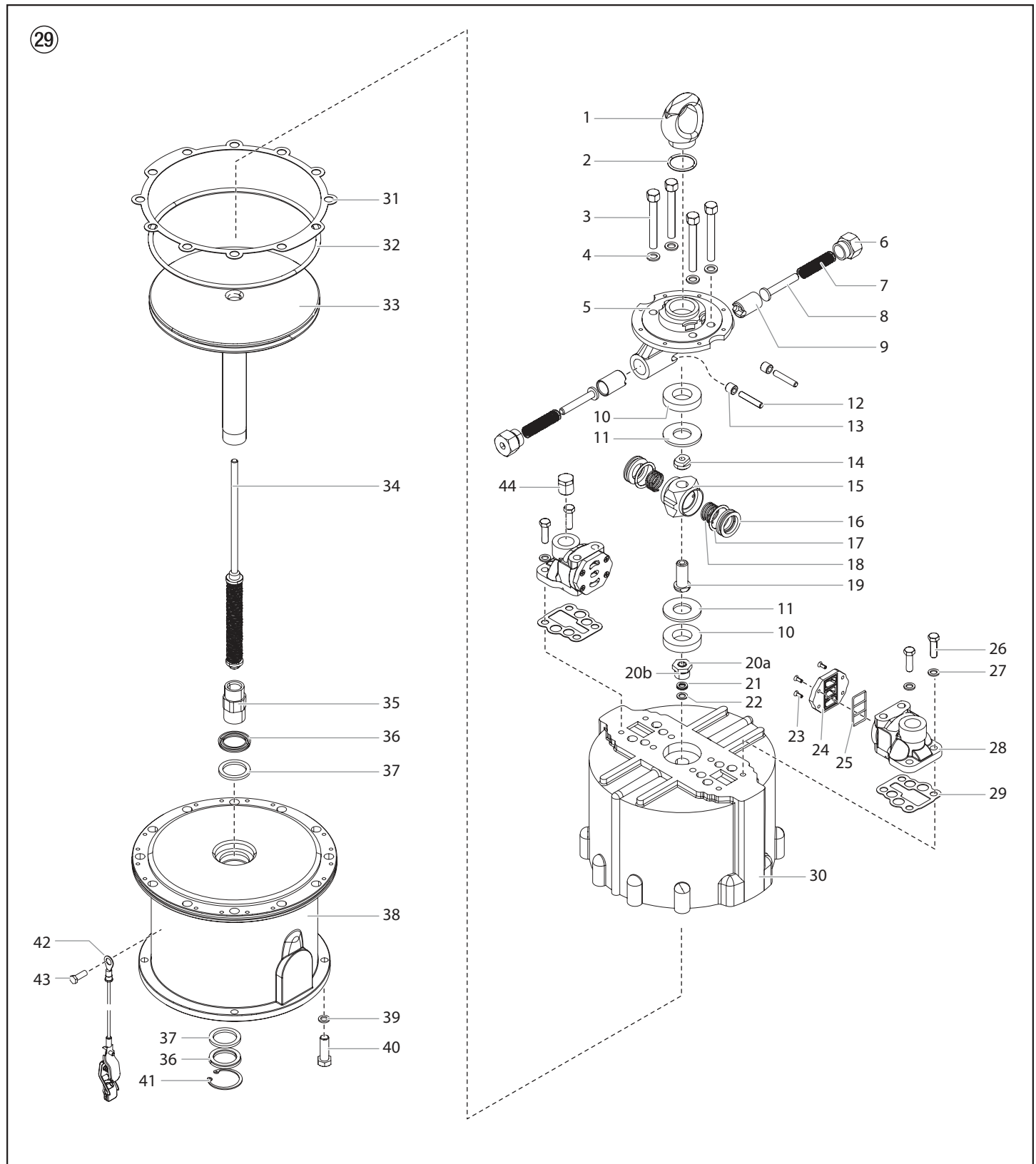
Pos.	1045	1064	1072	(GB) Description	(D) Benennung	(F) Description
1	0533463	0533463	0533463	Shroud screw (17)	Schraube (17)	Vis de capot (17)
2	0533980	0533980	0533980	Shroud, front	Abdeckung, Vorderseite	Capot, avant
3	0533910	0533910	0533910	Ring	Ring	Anneau
4	0533982	0533982	0533982	Shroud, top	Abdeckung, Oberseite	Capot, dessus
5	0533983	0533983	0533983	Fitting, air inlet	Anschluss, Lufteinlass	Raccord, entrée d'air
6	0533496	0533496	0533496	Elbow, 90°	Winkel, 90°	Coude, 90°
7	0533984	0533984	0533984	Tube (connects items 6 and 15)	Schlauch (verbindet Pos. 6 und 15)	Tube (raccorde les articles 6 et 15)
8	0533985	0533985	0533985	Lubricator drain hose	Rücklaufschlauch der Druckluftöler	Tuyau de vidange du lubrificateur
9	0533986	0533986	0533986	Nipple	Nippel	Raccord
10	0533987	0533987	0533987	Elbow, 90°	Winkel, 90°	Coude, 90°
11	0533988	0533988	0533988	Ball valve	Ballventil	Soupape à bille
12	0533989	0533989	0533989	Nipple	Nippel	Raccord
13	600-086	600-086	600-086	Pressure gauge	Manometer	Manomètre
14	0533991	0533991	0533991	Shroud, left	Abdeckung, links	Capot, gauche
15	0533491	0533491	0533491	Elbow, 90°	Winkel, 90°	Coude, 90°
16	0533994	0533994	0533994	Shroud, right	Abdeckung, rechts	Capot, droit
17	0533995	0533995	0533995	Shroud, rear	Abdeckung, Rückseite	Capot, Arrière
18	0533997	0533997	0533997	Shroud	Abdeckung	Capot
19*	0533210A	0533210A	0533210A	Automatic lubricator assembly (FRL)	Filter/Regler/Baugruppe Schmiervorrichtung (FRL)	Lubrificateur automatique (FRL)
20	0533998	0533998	0533998	Bracket, shroud (4)	Halterung, Abdeckung (4)	Support, capot (4)
21	0533999	0533999	0533999	Bracket, FRL	Halterung, FRL	Support, FRL
22	0533768	0533768	0533768	Snap bushing	Ring	Anneau

- * See separate listing
- * Siehe separate Auflistung
- * voir la liste de pièces distincte

GB Air Motor Assembly

D Luftmotor

F Moteur pneumatique

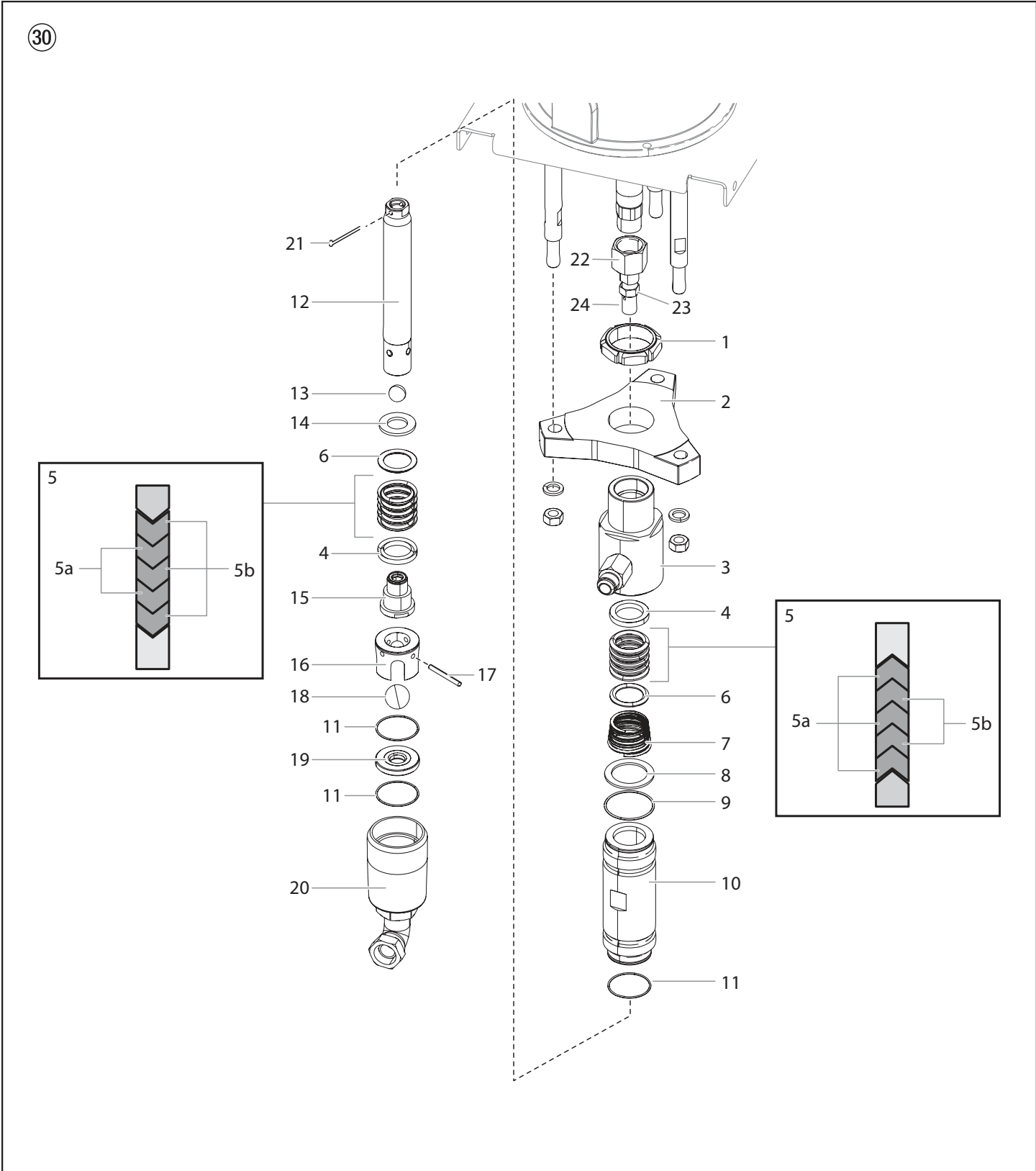


Pos.	1045 1064 1072	(GB) Description	(D) Benennung	(F) Description
1	0533949	Eye hook assembly	Ösenhaken	Ensemble de crochet fermé
2	0533365	O-ring	O-Ring	Joint torique
3	9805471	Screw (4)	Schraube (4)	Vis (4)
4	864-002	Washer (4)	Scheibe (4)	Rondelle (4)
5	0533950	Detent housing	Gehäuse der Rastvorrichtung	Logement de l'ergot
6	0533943	Spring retainer (2)	Federhalterung (2)	Rondelle de retenue de ressort (2)
7	0533944	Spring (2)	Feder (2)	Ressort (2)
8	0533945	Spring guide (2)	Federführung (2)	Guide du ressort (2)
9	0533946	Plunger (2)	Plunger (2)	Piston (2)
10	0533951	Rubber pad (2)	Gummiauflage (2)	Coussinet (2)
11	9822648	Washer (2)	Scheibe (2)	Rondelle (2)
12	0533948	Axle (2)	Achse (2)	Essieu (2)
13	0533947	Axle roller (2)	Achsenrolle (2)	Rouleau de l'essieu (2)
14	0533967	Trip rod nut	Auslösestangenmutter	Écrou de la tige de déclenchement
15	0533952	Valve housing	Ventilgehäuse	Logement de soupape
16	0533956	Air director valve (2)	Luftsteuerventil (2)	Soupape d'orientation de l'air (2)
17*	0533644	O-ring (2)	O-Ring (2)	Joint torique (2)
18	0533955	Spring (2)	Feder (2)	Ressort (2)
19	0533953	Valve housing hub	Nabe Ventilgehäuse	Moyeu du logement de soupape
20a	0533954	Bearing	Lager	Palier
20b	0533769	O-ring	O-Ring	Joint torique
21*	0533642	Backup washer	Unterlegscheibe	Rondelle de secours
22*	0533643	V-block packing	V-Block-Packung	Garniture du bloc en v
23	0533864	Screw (8)	Schraube (8)	Vis (8)
24	0533957	Valve plate (2)	Ventilplatte (2)	Plaque porte-soupape (2)
25	0533958	Valve plate seal (2)	Dichtung Ventilplatte (2)	Joint d'étanchéité de la plaque porte-soupape (2)
26	862-444	Screw (4)	Schraube (4)	Vis (4)
27	0509292	Washer (4)	Scheibe (4)	Rondelle (4)
28	0533959	Manifold (2)	Verteiler (2)	Collecteur (2)
29*	0533645	Gasket (2)	Dichtung (2)	Joint statique (2)
30	0533961	Air motor cylinder	Luftmotorzylinder	Cylindre du moteur pneumatique
31*	0533649	Cylinder gasket	Zylinderdichtung	Joint statique du cylindre
32*	0533648	O-ring	O-Ring	Joint torique
33	0533962	Piston	Kolben	Piston
34	0533256	Trip rod	Auslösestange	Tige de déclenchement
35	0533964	Connecting rod stud	Bolzen Verbindungsstange	Goujon de la bielle
36*	0533646	Packing (2)	Packung (2)	Garniture (2)
37*	0533647	Washer (2)	Scheibe (2)	Rondelle (2)
38	0533965	Motor base	Motorenfuß	Base du moteur
39	9822650	Washer (4)	Scheibe (4)	Rondelle (4)
40	9805474	Screw (4)	Schraube (4)	Vis (4)
41	0533865	Retaining ring	Haltering	Anneau de retenue
42	730-165	Grounding wire	Erdungskabel	Câble de mise à la terre
43	0533866	Ground screw	Erdungsschraube	Vis de borne de terre
44	9885664	Pipe plug	Verschlussschraube	Vis bouchon
*	0533935	Motor service kit (includes items 17, 21-22, 29, 31-32, and 36-37)	Motor-Service-Kit (beinhaltet Posten 17, 21-22, 29, 31-32 und 36-37)	Trousse d'entretien du moteur (comprend les articles 17, 21-22, 29,31-32, et 36-37)

GB Fluid Pump Assembly

D Flüssigkeitspumpe

F Pompe de fluides

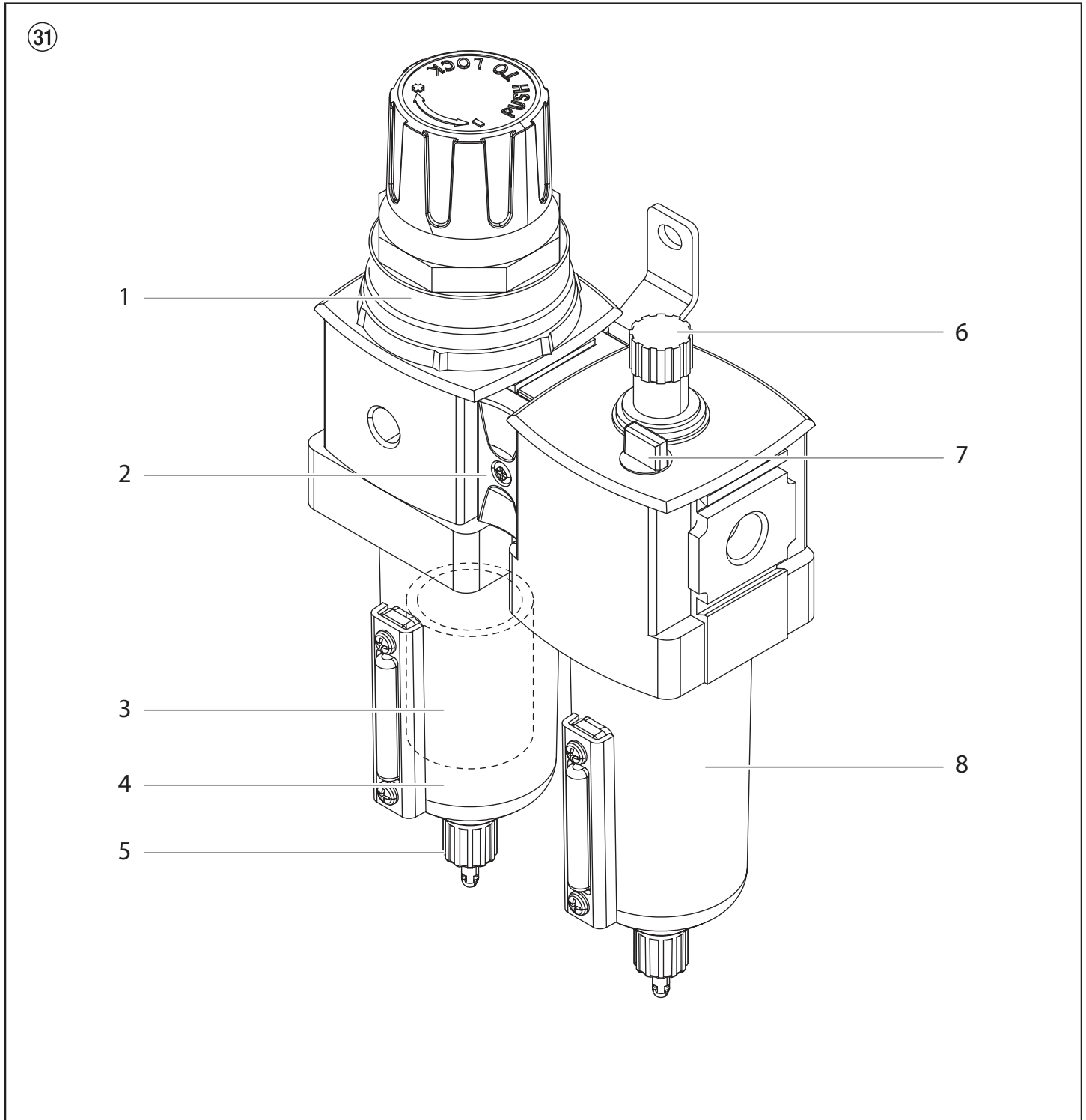


Pos.	1045	1064	1072	(GB) Description	(D) Benennung	(F) Description
1	0533671	0533671	0533671	Ring	Ring	Anneau
2	0533672	0533672	0533672	Pump block	Pumpenblock	Groupe de pompage
3	0533673	0533685	0533696	Housing	Gehäuse	Logement
4*	0533650	0533656	0533662	Gland, female (2)	Stutzen, mit Wulst (2)	Fouloir, femelle (2)
5a*	0533652	0533658	0533664	Packing, leather (6)	Packung, Leder (6)	Garniture, cuir (6)
5b	0533651	0533657	0533663	Packing, PTFE (4)	Packung, PTFE (4)	Garniture, PTFE (4)
6*	0533653	0533659	0533665	Gland, male (2)	Stutzen (2)	Fouloir, mâle (2)
7	0533674	0533666	0533697	Upper packing spring	Konusfeder	Ressort de garniture supérieure
8	0533675	0533667	0533698	Gasket	Dichtung	Joint statique
9*	0533654	0533660	0533660	O-ring, PTFE	O-Ring, PTFE	Joint torique, PTFE
10	0533676	0533688	0533699	Cylinder	Zylinder	Cylindre
11*	0533655	0533661	0533661	O-ring, PTFE (3)	O-Ring, PTFE (3)	Joint torique, PTFE (3)
12	0533677	0533689	0533939	Piston rod	Kolbenstange	Tige de piston
13*	211-129	211-129	51519	Ball	Kugel	Bille
14	0533678	0533690	0533941	Retainer	Halterung	Dispositif de retenue
15	0533679	0533691	0533942	Piston seat assembly	Kolbensitzbaugruppe	Ensemble du siège de piston
16	0533680	0533692	0533962	Ball cage assembly	Kugelführung	Guide de bille
17	0533681	0533693	0533693	Ball pin	Kugelbolzen	Goupille de bille
18*	315-700	315-700	315-700	Ball, 1 1/4"	Kugel, 1 1/4"	Bille, 1 1/4"
19	0533683	0533694	0533694	Ball seat	Kugelsitz	Queue à bille
20	0533684	0533695	0533695	Foot valve assembly	Einlassventilgehäuse	Logement du clapet de pied
21*	9832132	9832132	9832132	Pin	Stift	Goupille
22	0533669	0533669	0533669	Nut	Mutter	Écrou
23	0533670	0533670	0533670	Nut	Mutter	Écrou
24	0533668	0533668	0533668	Connecting rod	Verbindungskolben	Bielle
*	0533936	0533937	0533938	Fluid pump service kit (includes items 4-6, 9, 11, 13, 18, 21 and Loctite sealant 426-051)	Pumpen-Service-Kit (beinhaltet Posten 4-6, 9, 11, 13, 18, 21, sowie das Dichtungsmittel Loctite 426-051)	Trousse d'entretien de la pompe (comprend les articles 4-6, 9, 11, 13, 18, 21 et le mastic Loctite 426-051.
	0533893	0533894	0533895	PTFE Fluid section packing kit (includes item 4, 5b [qty. 10] and 6)	PTFE Repacking Kit - 2 (inklusive der Elemente 4, 5b [Stk. 10], und 6).	Kit de remplacement des garnitures, PTFE (comprend les éléments 4, 5b [qté. 10], et 6).

Ⓒ **Automatic filter, lubricator, regulator assembly**

Ⓓ **Filter/Regler/Baugruppe Schmiervorrichtung**

Ⓕ **Filtre, Lubrificateur, regulateur automatique**

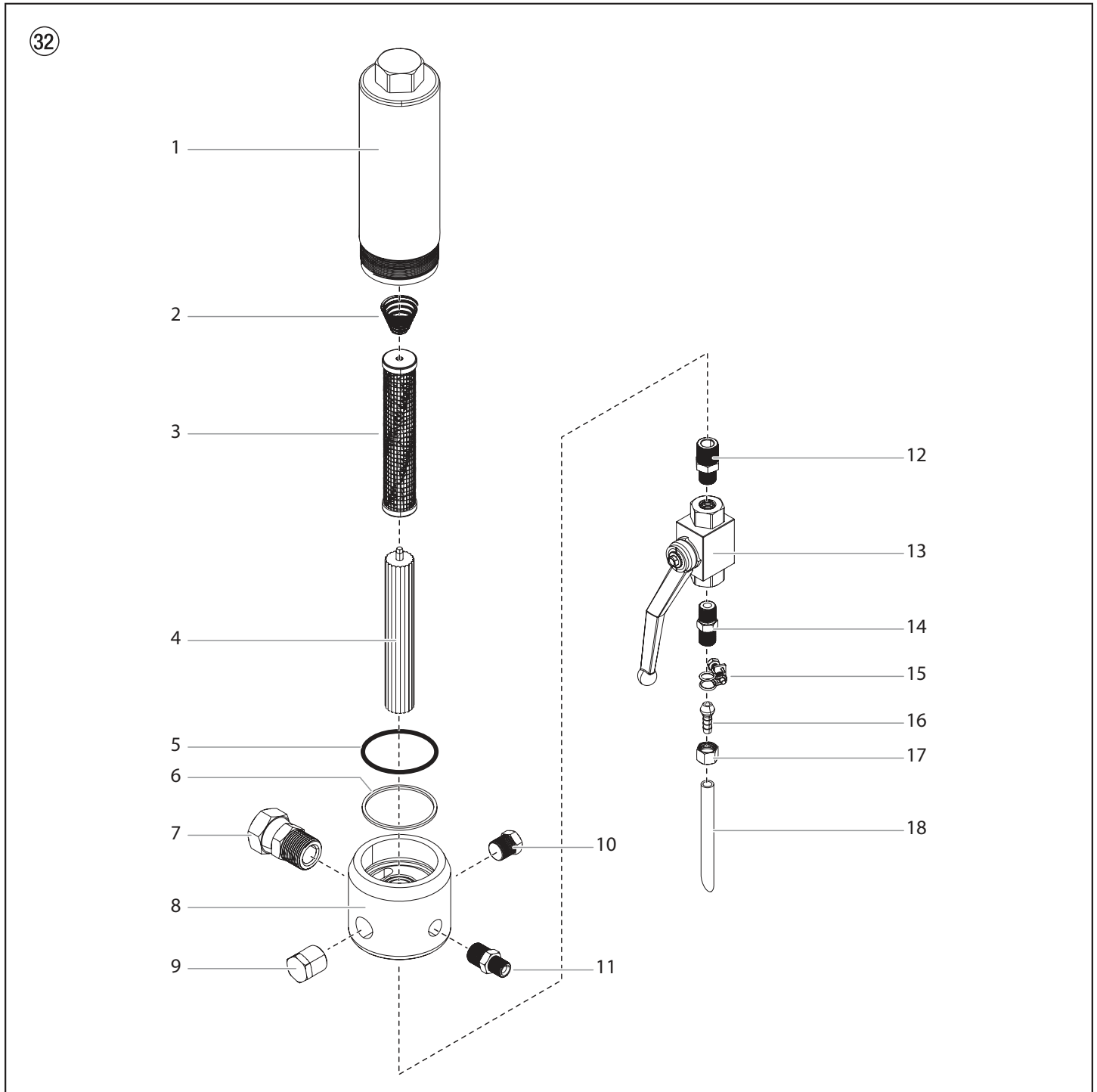


Pos.	1045 1064 1072	(GB) Description	(D) Benennung	(F) Description
1	0533910	Panel mount nut	Mutter für Tafelmontage	Écrou de fixation au panneau
2	0533909	Body connector	Gehäusestecker	Connecteur du corps
3	0533911	Filter element	Filterelement	Élément filtrant
4	0533915	Filter bowl	Filterbecher	Cuve de filtre
5	0533912	Auto drain kit	Kit für automatischen Ablass	Trousse de vidange automatique
6	0533914	Drip control assembly	Baugruppe Drip-Control	Ensemble de contrôle du goutte-à-goutte
7	0533913	Fill plug	Füllschraube	Bouchon de remplissage
8	0533916	Lubricator bowl	Druckluftölerbecher	Cuve de lubrificateur
	0533917	Regulator relieving repair kit	Regulator relieving repair kit	Trousse de réparation du régulateur de décompression
	0533918	Body connector O-ring kit (10 pieces)	O-Ring-Kit für Gehäusean-schluss (10 Stück)	Trousse du joint torique du connecteur du corps (10 pièces)

Ⓒ **High Pressure Filter**

Ⓓ **Hochdruckfilter**

Ⓕ **Filtre à haute pression**



Pos.	1045 1064 1072	(GB) Description	(D) Benennung	(F) Description
1	0533854	Filter cap	Gehäusedeckel	Couvercle du corps
2	0533513	Spring	Feder	Ressort
3	0533514	Filter element, 60 M	Filterpatrone, 60 Maschen	Cartouche de filtre 60 mailles
4	0533515	Filter support	Stützung	Support du filtre
5	0533855	Gasket, PTFE	Dichtung, PTFE	Joint torique, PTFE
6	0533856	Gasket, PTFE (thin)	Dichtung dünn, PTFE	Joint PTFE, mince
7	0533857	Nipple	Nippel	Raccord
8	0533858	Filter body	Gehäuse	Corps
9	210-023	Pipe plug	Verschlussschraube	Vis bouchon
10	227-033	Pipe plug	Verschlussschraube	Vis bouchon
11	0533859	Spray hose outlet fitting	Auslassanschluss Spritzschlauch	Raccord de sortie du tuyau de pulvérisation
12	0533770	Nipple	Nippel	Raccord
13	0533517	Bleed valve assembly	Ablassschlauchbaugruppe	Assemblage de la soupape de décharge
14	0533634	Nipple	Nippel	Raccord
15	0533519	Return tube clamp	Schlauchklemme	Agrafe de tube de retour
16	0533520	Return tube fitting	Schlauchanschluss	Raccord du tube de retour
17	0533521	Hex fitting	Sechskantanschluss	Raccord hexagonal
18	0533522	Return tube	Rücklaufschlauch	Tube de retour

Filter Assembly Specifications

Maximum Working Pressure	7200 psi (49.6 MPa)
Filter Area	15 In ² (97 cm ²)
Outlet Ports	(1) 3/8" NPT(F) for bleed valve (1) 3/8" NPT(F) with nipple (1) 3/4" NPT(F) with 3/4" NPSM(M) swivel (1) 1/2" NPT(F) with plug
Wetted Parts	Stainless steel, PTFE

Spezifikationen

Maximaler Arbeitsdruck	49,6 MPa (7200 psi)
Filterbereich	97 cm ² (15 In ²)
Ablassöffnungen	(1) 3/8" NPT(F) für das Ablassventil (1) 3/8" NPT(F) für Nippel (1) 3/4" NPT(F) mit 3/4" NPSM(M) Schlauchverbindung (1) 1/2" NPT(F) mit Verschlussschraube
Pièces mouillées	Edelstahl, PTFE

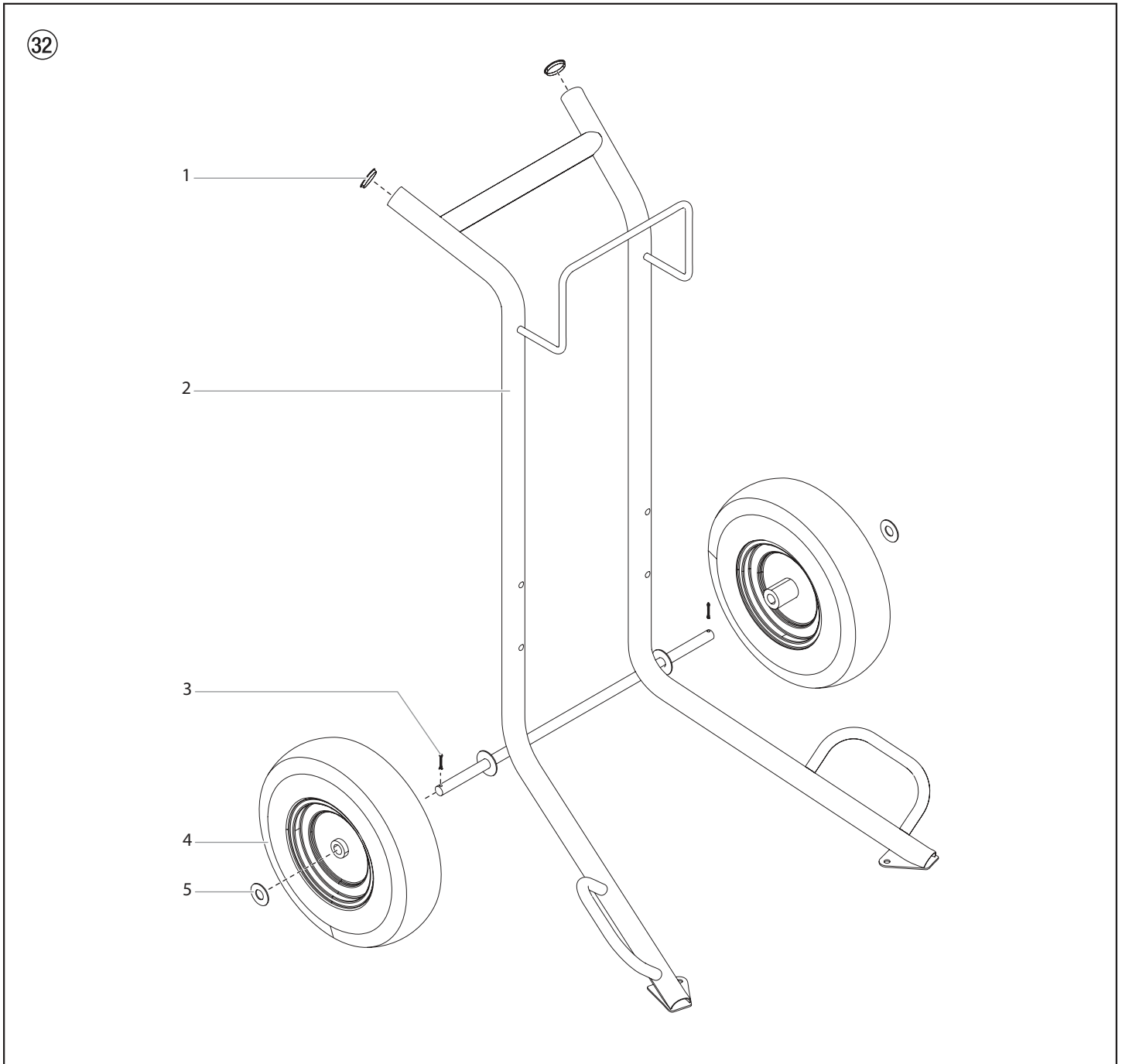
Caractéristiques

Pression de travail maximale	49,6 MPa (7200 psi)
Surface du filtre	97 cm ² (15 In ²)
Orifices de sortie	(1) 3/8" NPT(F) pour la soupape de décharge (1) 3/8" NPT (F) pour raccord (1) 3/4" NPT(F) avec raccord de tuyau 3/4" NPSM(M) (1) 1/2" NPT(F) avec vis bouchon
Pièces mouillées	Acier inoxydable, PTFE

Ⓞ GB **Cart Assembly**

Ⓞ F **Wagen**

Ⓞ F **Ensemble de chariot**



Pos.	1045C 1064C 1072C	(GB) Description	(D) Benennung	(F) Description
1	0533860	Plug (2)	Stöpsel (2)	Fiche (2)
2	0533861	Cart weldment	Rahmen	Châssis
3	0533441	Pin (2)	Stift (2)	Goupille (2)
4	670-105	Wheel (2)	Rad (2)	Roue (2)
5	0533863	Wheel spacer (2)	Abstandhalter (2)	Espaceur de roue (2)



Warranty

Titan Tool, Inc., ("Titan") warrants that at the time of delivery to the original purchaser for use ("End User"), the equipment covered by this warranty is free from defects in material and workmanship. With the exception of any special, limited, or extended warranty published by Titan, Titan's obligation under this warranty is limited to replacing or repairing without charge those parts which, to Titan's reasonable satisfaction, are shown to be defective within twelve (12) months after sale to the End User. This warranty applies only when the unit is installed and operated in accordance with the recommendations and instructions of Titan.

This warranty does not apply in the case of damage or wear caused by abrasion, corrosion or misuse, negligence, accident, faulty installation, substitution of non-Titan component parts, or tampering with the unit in a manner to impair normal operation.

Defective parts are to be returned to an authorized Titan sales/service outlet. All transportation charges, including return to the factory, if necessary, are to be borne and prepaid by the End User. Repaired or replaced equipment will be returned to the End User transportation prepaid.

THERE IS NO OTHER EXPRESS WARRANTY. TITAN HEREBY DISCLAIMS ANY AND ALL IMPLIED WARRANTIES INCLUDING, BUT NOT LIMITED TO, THOSE OF MERCHANTABILITY AND FITNESS FOR A PARTICULAR PURPOSE, TO THE EXTENT PERMITTED BY LAW. THE DURATION OF ANY IMPLIED WARRANTIES WHICH CANNOT BE DISCLAIMED IS LIMITED TO THE TIME PERIOD SPECIFIED IN THE EXPRESS WARRANTY. IN NO CASE SHALL TITAN LIABILITY EXCEED THE AMOUNT OF THE PURCHASE PRICE. LIABILITY FOR CONSEQUENTIAL, INCIDENTAL OR SPECIAL DAMAGES UNDER ANY AND ALL WARRANTIES IS EXCLUDED TO THE EXTENT PERMITTED BY LAW.

TITAN MAKES NO WARRANTY AND DISCLAIMS ALL IMPLIED WARRANTIES OF MERCHANTABILITY AND FITNESS FOR A PARTICULAR PURPOSE WITH RESPECT TO ACCESSORIES, EQUIPMENT, MATERIALS OR COMPONENTS SOLD BUT NOT MANUFACTURED BY TITAN. THOSE ITEMS SOLD, BUT NOT MANUFACTURED BY TITAN (SUCH AS GAS ENGINES, SWITCHES, HOSES, ETC.) ARE SUBJECT TO THE WARRANTY, IF ANY, OF THEIR MANUFACTURER. TITAN WILL PROVIDE THE PURCHASER WITH REASONABLE ASSISTANCE IN MAKING ANY CLAIM FOR BREACH OF THESE WARRANTIES.

Register your product online at www.titantool.com

United States Sales & Service

Phone: 1-800-526-5362

Fax: 1-800-528-4826

1770 Fernbrook Lane
Plymouth, MN 55447
www.titantool.com

International Sales

international@titantool.com

Fax: 1-763-519-3509

1770 Fernbrook Lane
Plymouth, MN 55447

Garantie

Titan Tool, Inc., ("Titan") garantiert, dass zum Zeitpunkt der Lieferung an den Käufer („Endverbraucher“) die Ausrüstung, die von dieser Garantie abgedeckt ist, frei von Material- und Fabrikationsfehler ist. Mit Ausnahme spezieller, eingeschränkter oder erweiterter Garantie, die Titan bekannt gegeben hat, ist die Gewährleistungsverpflichtung von Titan beschränkt auf den kostenlosen Austausch oder Nachbesserung für jene Teile, die, nachdem dies Titan nachvollziehbar nachgewiesen wurden, binnen zwölf (12) Monaten nach Verkauf an den Endverbraucher sich als fehlerhaft erweisen. Die Garantie greift nur, wenn das Gerät gemäß den Empfehlungen und Anweisungen von Titan installiert und bedient wurde.

Diese Garantie gilt nicht bei Beschädigung oder Abnutzung durch Abrieb, Korrosion oder unsachgemäße Benutzung, Unachtsamkeit, Unfall, unsachgemäße Installation, Verwendung von Ersatzteilen, die nicht von Titan stammen bzw. wenn Änderungen an dem Gerät vorgenommen wurden wodurch eine normale Benutzung beeinträchtigt wird

Defekte Teile müssen an den autorisierten Titan-Händler/ die autorisierte Titan-Niederlassung zurückgeschickt werden. Alle Transportkosten, einschließlich der Rücksendung an die Fabrik, falls erforderlich, sind vom Endverbraucher zu tragen und müssen im Voraus bezahlt werden. Repariertes oder ausgetauschtes Zubehör wird auf Kosten des Endverbrauchers nach Vorauszahlung der Transportkosten zurückgeschickt

ES GIBT SONST KEINE ANDERE MÄNGELGARANTIE. TITAN SCHLIESST HIERMIT ALLE UND JEDE STILLSCHWEIGENDE GARANTIE AUS, EINSCHLIESSLICH, JEDOCH NICHT BESCHRÄNKT AUF MARKTFÄHIGKEIT UND EIGNUNG FÜR EINEN BESTIMMTEN ZWECK, SOWEIT GESETZLICH ZULÄSSIG. DIE DAUER ALLER STILLSCHWEIGENDEN GARANTIE, DIE NICHT AUSGESCHLOSSEN WERDEN KÖNNEN, SIND BESCHRÄNKT AUF DIE IN DER AUSDRÜCKLICHEN GARANTIE FESTGELEGTE DAUER. TITAN HAFET IN KEINER WEISE ÜBER DEN KAUFPREIS HINAUS. DIE HAFTUNG FÜR FOLGESCHÄDEN, ZUFÄLLIGE SCHÄDEN ODER SPEZIELLE SCHÄDEN UNTER JEDER UND ALLEN GARANTIE IST AUSGESCHLOSSEN SOWEIT GESETZLICH ZUGELASSEN.

TITAN ÜBERNIMMT KEINE GARANTIE UND SCHLIESST ALLE STILLSCHWEIGENDEN GARANTIE AUF MARKTFÄHIGKEIT UND EIGNUNG FÜR EINEN BESTIMMTEN ZWECK BEZÜGLICH ZUBEHÖR, AUSRÜSTUNG, MATERIALIEN UND KOMPONENTEN AUS, DIE VON TITAN VERKAUFT, JEDOCH NICHT HERGESTELLT WURDEN. JENE VON TITAN VERKAUFTEN, JEDOCH NICHT VON TITAN HERGESTELLTEN KOMPONENTEN (WIE Z.B. GASMOTOREN, SCHALTER, SCHLÄUCHE, ETC.) UNTERLIEGEN DER GEWÄHRLEISTUNG DES JEWEILIGEN HERSTELLERS, SOFERN DIESE GEWÄHRT WERDEN. TITAN UNTERSTÜTZT DEN KÄUFER IN ANGEMESSENER WEISE, WENN ES UM ANSPRÜCHE WEGEN DER VERLETZUNG VON GEWÄHRLEITUNGEN GEHT.

Registrieren Sie Ihr Produkt online bei www.titantool.com

Garantie

Titan Tool, Inc. ("Titan") garantit qu'au moment de la livraison à l'acheteur initial ("Utilisateur"), l'appareil couvert par la présente garantie sera exempt de défauts de matériaux et de fabrication. Exception faite de toute garantie particulière ou limitée et de toute extension de garantie publiées par Titan, la responsabilité de celui-ci se limite, en vertu de la présente garantie, au remplacement ou à la réparation sans frais des pièces dont le caractère défectueux aura été démontré de manière satisfaisante pour Titan, dans un délai de douze (12) mois après la date d'achat par l'Utilisateur. Cette garantie ne sera applicable que si l'appareil a été installé et utilisé conformément aux recommandations et directives de Titan.

Cette garantie ne sera pas applicable dans les cas d'endommagement ou d'usure dus à l'abrasion, la corrosion, un mauvais usage, la négligence, un accident, une installation incorrecte, un remplacement par des composants non fournis par Titan ou toute autre intervention non autorisée de nature à nuire au fonctionnement normal de l'appareil.

Les pièces défectueuses devront être envoyées à un centre de service / vente Titan autorisé. Les frais de transport couvrant y compris le retour à l'usine, seront, le cas échéant, prépayés par l'Utilisateur. Après réparation ou remplacement, les pièces seront renvoyées à ce dernier par transport prépayé.

AUCUNE AUTRE GARANTIE EXPRESSE N'EST ACCORDÉE. TITAN REJETTE TOUTE AUTRE GARANTIE IMPLICITE Y COMPRIS, NOTAMMENT, LES GARANTIES DE QUALITÉ MARCHANDE ET DE COMPATIBILITÉ AVEC UN USAGE PARTICULIER, DANS LES LIMITES PERMISES PAR LA LOI.

LA DURÉE DES GARANTIES IMPLICITES NE POUVANT FAIRE L'OBJET D'UNE RENONCIATION SE LIMITE À LA PÉRIODE INDIQUÉE DANS LA GARANTIE EXPRESSE.

LA RESPONSABILITÉ DE TITAN NE SAURAIT EN AUCUN CAS ÊTRE ENGAGÉE POUR UN MONTANT SUPÉRIEUR À CELUI DU PRIX D'ACHAT. TITAN EXCLUT TOUTE RESPONSABILITÉ RELATIVE AUX DOMMAGES INDIRECTS, ACCESSOIRES OU PARTICULIERS, DANS LES LIMITES PRÉVUES PAR LA LOI.

TITAN NE DONNE AUCUNE GARANTIE ET DÉCLINE TOUTE GARANTIE IMPLICITE DE QUALITÉ MARCHANDE ET DE COMPATIBILITÉ AVEC UN USAGE PARTICULIER EN CE QUI CONCERNE LES ACCESSOIRES, L'APPAREIL, LES MATÉRIAUX OU LES COMPOSANTS VENDUS MAIS NON FABRIQUÉS PAR TITAN. CES DERNIERS ÉLÉMENTS, VENDUS MAIS NON FABRIQUÉS PAR TITAN (MOTEURS À ESSENCE, COMMUTATEURS, FLEXIBLES, ETC.), SONT SOUMIS, LE CAS ÉCHÉANT, À LA GARANTIE DU FABRICANT. TITAN S'ENGAGE À PORTER ASSISTANCE AUX ACHETEURS, DANS LES LIMITES DU RAISONNABLE, POUR LA CONSTITUTION DE RÉCLAMATIONS RELATIVES AU NON RESPECT DE CES GARANTIES.

Enregistrez votre appareil en ligne à l'adresse www.titantool.com

United States Sales & Service

Phone: 1-800-526-5362

Fax: 1-800-528-4826

1770 Fernbrook Lane
Plymouth, MN 55447
www.titantool.com

International Sales

international@titantool.com

Fax: 1-763-519-3509

1770 Fernbrook Lane
Plymouth, MN 55447