

# WAGNER

**Airless – Hochdruck Spritzgerät**

**Airless high-pressure spraying unit**

**Appareil de pulvérisation à haute  
pression Airless**

**Apparecchio di verniciatura a spruzzo  
Airless ad alta pressione**

**Super Finish 23 Select**

## Originalbetriebsanleitung

**Betriebsanleitung 2**

**Operating manual 34**

**Mode d'emploi 65**

**Istruzioni per l'uso 97**


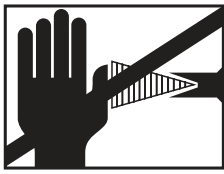


## Translation of the original operating instructions

# WARNING!

Attention, danger of injury by injection!

Airless units develop extremely high spray pressures.

	  <p><b>Danger</b></p>
<p>①</p>	<p>Never bring fingers, hands or other body parts into contact with the spray jet!          Never point the spray gun at yourself, other persons or animals.          Never use the spray gun without spray jet safety guard.</p> <p>Do not treat a spray injury as a harmless cut. In case of injury to the skin by coating material or solvents, consult a doctor for quick and correct treatment. Inform the doctor about the coating material or solvent used.</p>
<p>②</p>	<p><b>The following points are to be observed in accordance with the operating manual before every start-up:</b></p> <ol style="list-style-type: none"> <li>1. Faulty units may not be used.</li> <li>2. Secure a Wagner spray gun with the securing lever at the trigger guard.</li> <li>3. Ensure earthing.</li> <li>4. Check the permissible operating pressure of the high-pressure hose and spray gun.</li> <li>5. Check all the connecting parts for leaks.</li> </ol>
<p>③</p>	<p><b>Instructions for regular cleaning and maintenance of the unit are to be observed strictly.</b></p> <p><b>Observe the following rules before any work on the unit and at every working break:</b></p> <ol style="list-style-type: none"> <li>1. Relieve the pressure from the spray gun and high-pressure hose.</li> <li>2. Secure a Wagner spray gun with the securing lever at the trigger guard</li> <li>3. Switch the unit off.</li> </ol>

# Ensure safety!

## Contents

<b>1</b>	<b>SAFETY REGULATIONS FOR AIRLESS SPRAYING</b>	<b>36</b>	4.6	Cleaning preserving agent when starting-up of operation initially	43
1.1	Flash point	36	4.7	Ventilate unit (hydraulic system) if the sound of inlet valve is not audible	43
1.2	Explosion protection	36	4.8	Taking the unit into operation with coating material	43
1.3	Danger of explosion and fire from sources of ignition during spraying work	36	<b>5</b>	<b>SPRAYING TECHNOLOGY</b>	<b>44</b>
1.4	Danger of injury from the spray jet	36	<b>6</b>	<b>HANDLING THE HIGH-PRESSURE HOSE</b>	<b>44</b>
1.5	Secure spray gun against unintended operation	36	<b>7</b>	<b>INTERRUPTION OF WORK</b>	<b>44</b>
1.6	Recoil of spray gun	36	<b>8</b>	<b>CLEANING THE UNIT</b>	<b>45</b>
1.7	Breathing equipment as protection against solvent vapors	36	8.1	Cleaning the unit from the outside	46
1.8	Prevention of occupational illnesses	36	8.2	Suction filter	46
1.9	Max. operating pressure	37	8.3	High-pressure filter	46
1.10	High-pressure hose	37	8.4	Cleaning the Airless spray gun	47
1.11	Electrostatic charging (formation of sparks or flames)	37	<b>9</b>	<b>SERVICING</b>	<b>47</b>
1.12	Use of units on building sites and workshops	37	9.1	General servicing	47
1.13	Socket at the unit	37	9.2	High-pressure hose	47
1.14	Ventilation when spraying in rooms	37	<b>10</b>	<b>REPAIRS AT THE UNIT</b>	<b>48</b>
1.15	Suction installations	37	10.1	Inlet valve Pusher	48
1.16	Earthing of the object	37	10.2	Inlet valve	48
1.17	Cleaning the unit with solvents	37	10.3	Outlet valve	49
1.18	Cleaning the unit	37	10.4	Pressure control valve	49
1.19	Work or repairs at the electrical equipment	37	10.5	Replacing the power cable	50
1.20	Work at electrical components	38	10.6	Typical wear parts	50
1.21	Setup on an uneven surface	38	10.7	Connection diagram	51
<b>2</b>	<b>GENERAL VIEW OF APPLICATION</b>	<b>38</b>	10.8	Remedy in case of faults	52
2.1	Application	38	<b>11</b>	<b>SPARE PARTS AND ACCESSORIES</b>	<b>53</b>
2.2	Coating material	38	11.1	Super Finish 23 Select accessories	53
2.2.1	Coating materials with sharp-edged additional materials	38	11.2	Spare parts list Super Finish 23 Select	58
2.2.2	Filtering	39	11.3	Spare parts list high-pressure filter	60
<b>3.</b>	<b>DESCRIPTION OF UNIT</b>	<b>39</b>	11.4	Spare parts List Trolley	60
3.1	Airless process	39	11.5	Spare parts list suction system	61
3.2	Functioning of the unit	39	11.6	Spare parts list hopper 5l	62
3.3	Explanatory diagram	40	11.7	Spare parts list hopper with TopClean	62
3.4	Transportation	40	Testing of the unit	63	
3.5	Technical data	41	Important information on product liability	63	
<b>4</b>	<b>STARTUP</b>	<b>42</b>	Note on disposal	63	
4.1	Unit with suction system	42	Guarantee declaration	63	
4.2	Unit with upper hopper (5 litres)	42	CE - declaration	129	
4.3	High pressure hose and spray gun	42	European service network	132	
4.4	Connection to the mains network	42			
4.5	Socket on unit (not included in all models)	43			


## 1 SAFETY REGULATIONS FOR AIRLESS SPRAYING

All local safety regulations in force must be observed. The following sources are just a sample of those containing safety requirements for Airless spraying.


- a) The European Standard „Spray equipment for coating materials – safety regulations,, (EN 1953).

The following safety regulations are to be observed in order to ensure safe handling of the Airless high-pressure spraying unit.


### 1.1 FLASH POINT

 <b>Danger</b>	<p>Only spray coating materials with a flash point of 21 °C or higher. The flash point is the lowest temperature at which vapors develop from the coating material. These vapors are sufficient to form an inflammable mixture over the air above the coating material.</p>
---	---



### 1.2 EXPLOSION PROTECTION

 <b>Danger</b>	<p>Do not use the unit in work places which are covered by the explosion protection regulations. The unit is not designed to be explosion protected. Do not operate the device in explosive areas (zone 0, 1 and 2). Explosive areas are, for example, places where paints are stored and locations in direct proximity to the object being sprayed. Keep the device at least 3 m from the object you are spraying.</p>
---	---

### 1.3 DANGER OF EXPLOSION AND FIRE FROM SOURCES OF IGNITION DURING SPRAYING WORK

 <b>Danger</b>	<p>There must be no sources of ignition such as, for example, open fires, lit cigarettes, cigars or tobacco pipes, sparks, glowing wires, hot surfaces, etc. in the vicinity.</p>
---	---


### 1.4 DANGER OF INJURY FROM THE SPRAY JET

 <b>Danger</b>  	<p>Attention, danger of injury by injection! Never point the spray gun at yourself, other persons or animals. Never use the spray gun without spray jet safety guard. The spray jet must not come into contact with any part of the body. In working with Airless spray guns, the high spray pressures arising can cause very dangerous injuries. If contact is made with the spray jet, coating material can be injected into the skin. Do not treat a spray injury as a harmless cut. In case of injury to the skin by coating material or solvents, consult a doctor for quick and correct treatment. Inform the doctor about the coating material or solvent used.</p>
---	--

### 1.5 SECURE SPRAY GUN AGAINST UNINTENDED OPERATION

Always secure the spray gun when mounting or dismounting the tip and in case of interruption to work.

### 1.6 RECOIL OF SPRAY GUN

 <b>Danger</b>	<p>When using a high operating pressure, pulling the trigger guard can effect a recoil force up to 15 N. If you are not prepared for this, your hand can be thrust backwards or your balance lost. This can lead to injury.</p>
--	---

### 1.7 BREATHING EQUIPMENT AS PROTECTION AGAINST SOLVENT VAPORS

Wear breathing equipment during spraying work. A breathing mask is to be made available to the user.

### 1.8 PREVENTION OF OCCUPATIONAL ILLNESSES

Protective clothing, gloves and possibly skin protection cream are necessary for the protection of the skin.

Observe the regulations of the manufacturer concerning coating materials, solvents and cleaning agents in preparation, processing and cleaning units.

## 1.9 MAX. OPERATING PRESSURE

The permissible operating pressure for the spray gun, spray gun accessories, unit accessories and high-pressure hose must not fall short of the maximum operating pressure of 25 MPa (250 bar or 3625 psi).

## 1.10 HIGH-PRESSURE HOSE

 <b>Danger</b>	<p>Attention, danger of injury by injection! Wear and tear and kinks as well as usage that is not appropriate to the purpose of the device can cause leakages to form in the high-pressure hose. Liquid can be injected into the skin through a leakage.</p>
-------------------	--

- High-pressure hoses must be checked thoroughly before they are used.
- Replace any damaged high-pressure hose immediately.
- Never repair defective high-pressure hoses yourself!
- Avoid sharp bends and folds: the smallest bending radius is about 20 cm.
- Do **not drive over** the high-pressure hose. Protect against sharp objects and edges.
- Never pull on the high-pressure hose to move the device.
- Do not twist the high-pressure hose.
- Do not put the high-pressure hose into solvents. Use only a wet cloth to wipe down the outside of the hose.
- Lay the high-pressure hose in such a way as to ensure that it cannot be tripped over.

	<p>Only use WAGNER original-high-pressure hoses in order to ensure functionality, safety and durability.</p>
--	--

## 1.11 ELECTROSTATIC CHARGING (FORMATION OF SPARKS OR FLAMES)

 <b>Danger</b>	<p>Electrostatic charging of the unit may occur during spraying due to the flow speed of the coating material. These can cause sparks and flames upon discharge. The unit must therefore always be earthed via the electrical system. The unit must be connected to an appropriately-grounded safety outlet.</p>
-------------------	--

An electrostatic charging of spray guns and the high-pressure hose is discharged through the high-pressure hose. For this reason the electric resistance between the connections of the high-pressure hose must be equal to or lower than 1 MΩ.

## 1.12 USE OF UNITS ON BUILDING SITES AND WORKSHOPS

The unit may only be connected to the mains network via a special feeding point with a residual-current device with INF ≤ 30 mA.

## 1.13 SOCKET AT THE UNIT

Do not load the socket with more than 1500 Watt. Unroll any connected cable drum completely.

## 1.14 VENTILATION WHEN SPRAYING IN ROOMS

Adequate ventilation to ensure removal of the solvent vapors has to be ensured.

## 1.15 SUCTION INSTALLATIONS

The are to be provided by the unit user in accordance with the corresponding local regulations.

## 1.16 EARTHING OF THE OBJECT

The object to be coated must be earthed. (Building walls are usually earthed naturally)

## 1.17 CLEANING THE UNIT WITH SOLVENTS

 <b>Danger</b>	<p>When cleaning the unit with solvents, the solvent should never be sprayed or pumped back into a container with a small opening (bunghole). An explosive gas/air mixture can arise. The container must be earthed.</p>
-------------------	--

## 1.18 CLEANING THE UNIT

 <b>Danger</b>	<p>Danger of short-circuits caused by water ingress!            Never spray down the unit with high-pressure or high-pressure steam cleaners.</p>
-------------------	---

## 1.19 WORK OR REPAIRS AT THE ELECTRICAL EQUIPMENT

These may only be carried out by a skilled electrician. No liability is assumed for incorrect installation.

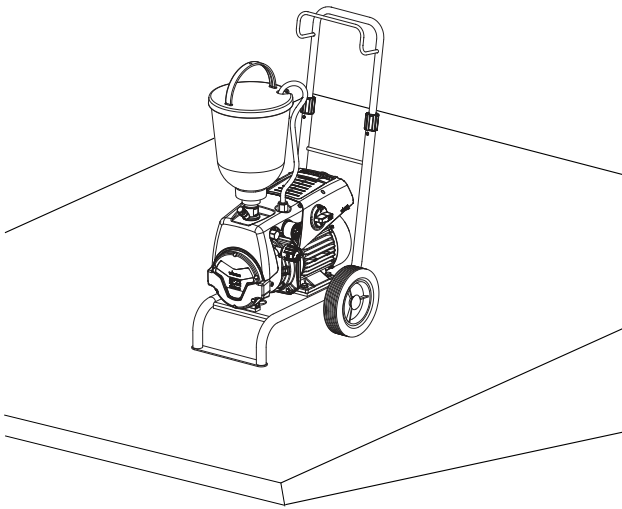
## 1.20 WORK AT ELECTRICAL COMPONENTS

Unplug the power plug from the outlet before carrying out any repair work.

## 1.21 SETUP ON AN UNEVEN SURFACE

The front end must always point downwards in order to avoid sliding away.

If possible do not use the unit on an inclined surface since the unit tends to wander through the resulting vibrations.



## 2 GENERAL VIEW OF APPLICATION

### 2.1 APPLICATION

Super Finish 23 Select is an electric driven unit for the airless atomization of different painting materials. Also it is able to feed the internal feeded paint roller, which is available as accessory.

Super Finish 23 Select is made for jobs in the workshop and on the building site.

The unit performance is conceived so that its use is possible on building sites for small- to middle-area dispersion work.

When painting, the device is suitable for all kinds of typical painting jobs, e.g.:

doors, door frames, balustrades, furniture, woodencladding, fences, radiators (heating) and steel parts.

We recommend using the top container for paintwork.

### 2.2 COATING MATERIAL

Diluting lacquers and paints or those containing solvents, two-component coating materials, dispersion and latex paints.

No other materials should be used for spraying without WAGNER's approval.



Pay attention to the Airless quality of the coating materials to be processed.

The unit is able to process coating materials with up to 20,000 mPas. If highly viscous coating materials cannot be taken in or the performance of the unit is too low, the paint must be diluted in accordance with the manufacturer's instructions.



Attention: Make sure, when stirring up with motor-driven agitators that no air bubbles are stirred in. Air bubbles disturb when spraying and can, in fact, lead to interruption of operation.

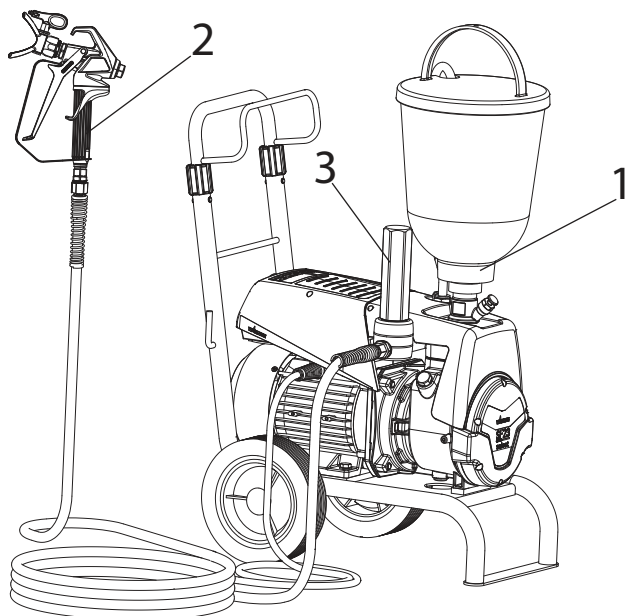
#### 2.2.1 COATING MATERIALS WITH SHARP-EDGED ADDITIONAL MATERIALS

These particles have a strong wear and tear effect on valves and tips, but also on the heating hose and spray gun. This impairs the durability of these wearing parts considerably.

## 2.2.2 FILTERING

Sufficient filtering is required for fault-free operation. To this purpose the unit is equipped with a suction filter (Item 1) and an insertion filter in the spray gun (Item 2). Regular inspection of these filters for damage or soiling is urgently recommended.

A high-pressure filter (Item 3) -available as accessory- is rising up the filtering surface and will make the work more comfortable.



## 3. DESCRIPTION OF UNIT

### 3.1 AIRLESS PROCESS

The main area of application are thick layers of highly viscous coating material.

At the Super Finish 23 Select unit a diaphragm pump takes in the coating materials and transports it via a high-pressure hose to the spray gun with the airless tip. Here the coating material atomizes since it is pressed through the tip core at a maximum pressure of 25 MPa (250 bar, 3625 psi). This high pressure has the effect of micro fine atomisation of the coating material.

As no air is used in this process, it is described as an AIRLESS process.

This method of spraying has the advantages of finest atomisation, cloudless operation (depending of a correct unit adjustment) and a smooth, bubblefree surface. As well as these, the advantages of the speed of work and convenience must be mentioned.

### 3.2 FUNCTIONING OF THE UNIT

The following section contains a brief description of the technical construction for better understanding of the function:

Super Finish 23 Select is an electrically driven high-pressure paint spraying equipment.

The electric motor (1) drives the hydraulic pump via planetary gears (2). A piston (3) is moved up and down so that hydraulic oil is moved under the diaphragm (4) which then moves.

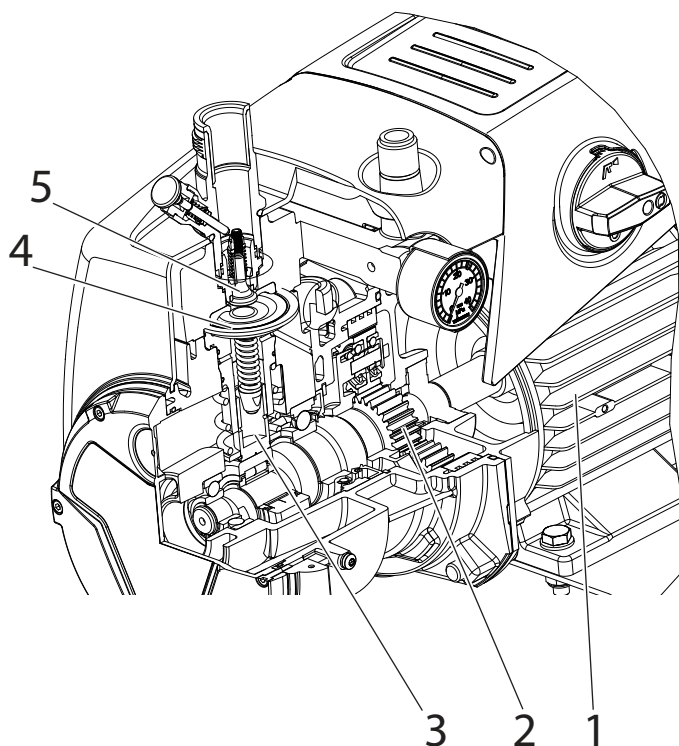
In detail:

The downwards movement of the machine opens the disk inlet valve (5) automatically and coating material is sucked in. During the upwards movement of the diaphragm, the coating material is displaced and the outlet valve opens while the inlet valve is closed.

The coating material flows under high pressure through the high-pressure hose to the spray gun and is atomized when it exists from the tip.

The pressure control valve limits the set pressure in the hydraulic oil circuit and thus also the pressure of the coating material.

A pressure change when the same tip is used also leads to a change in the amount of paint atomized.





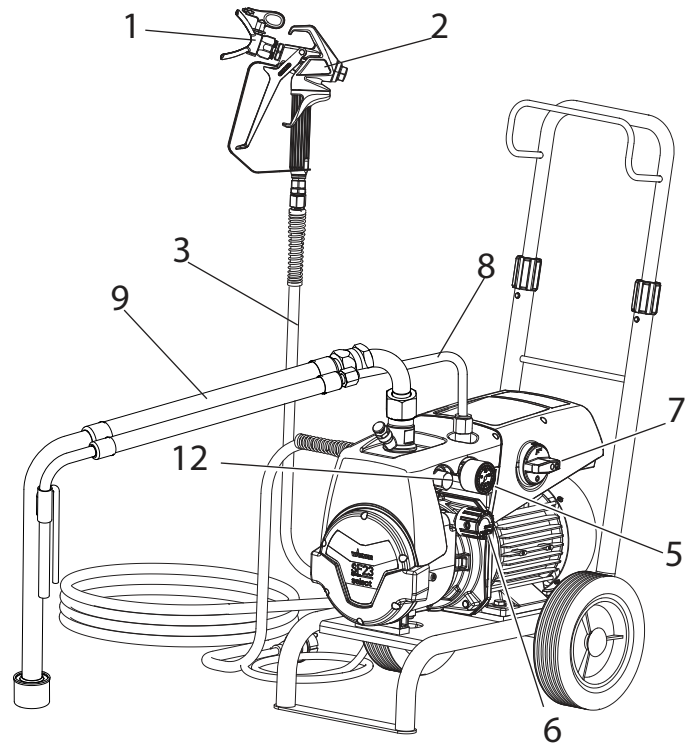
DESCRIPTION OF UNIT

3.3 EXPLANATORY DIAGRAM

- 1 Tip guard with airless tip
  - 2 Spray gun
  - 3 High-pressure hose
  - 4 Connection for high-pressure hose
  - 5 Pressure gauge
  - 6 Pressure control valve
  - 7 Multifunction switch
- Symbols (shown in the recess of the switch):

- 0 OFF
- ON / Circulation
- ON / Spraying

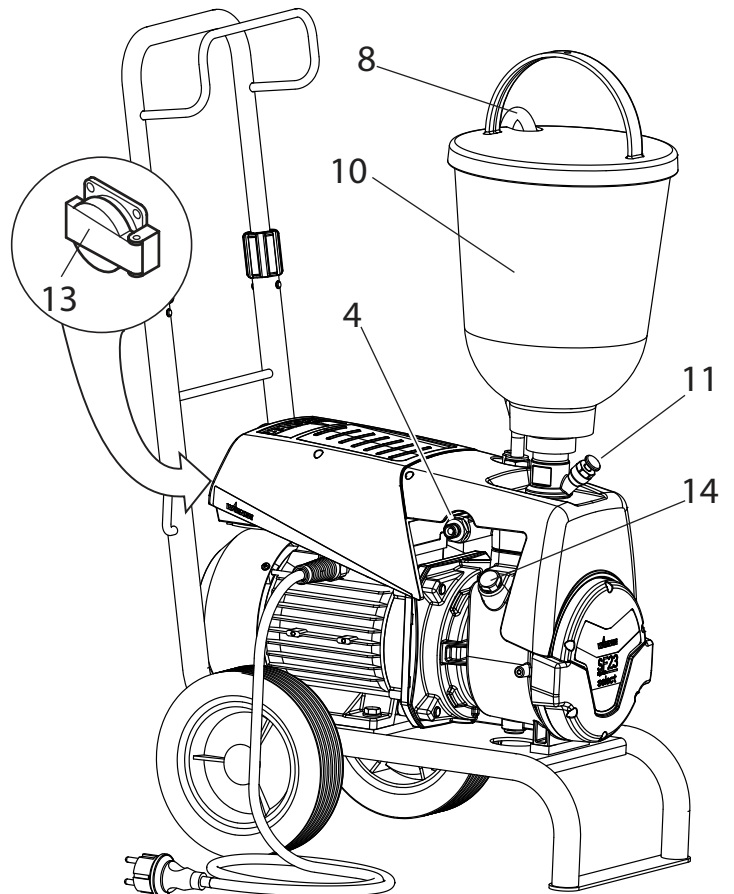
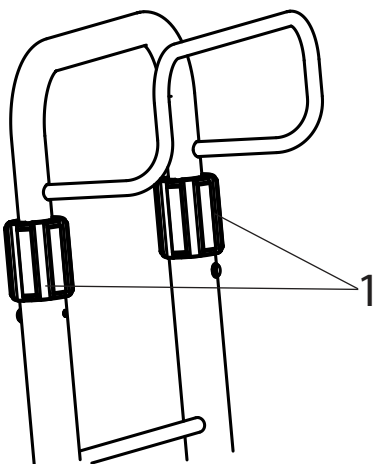
- 8 Return tube
- 9 Suction system
- 10 Hopper
- 11 Inlet valve button
- 12 Outlet valve
- 13 Socket, max. load 1500 Watt
- 14 Oil measuring stick



3.4 TRANSPORTATION

Unroll high-pressure hose and lay it over the shaft.

Loosen terminal sleeves (item 1) on the shaft (U open). Extract shaft to the desired length. Tighten terminal sleeves again by hand (U closed).



Transportation in vehicle

Secure the unit in the vehicle by means of suitable fasteners. The device can be placed on its side if necessary. In this case, please ensure that no attachments can be damaged. Attention: Paint or solvent residues can escape from the connections!



### 3.5 TECHNICAL DATA

Voltage :	230 V AC, 50 Hz
Fuses :	16 A time-lag
Unit connecting line :	6 m long, 3 x 1.5 mm <sup>2</sup>
Max. current consumption:	7.4 A
Degree of protection :	IP 44
Rated input of device:	1.3 kW
Max. operating pressure :	25 MPa (250 bar)
Max. volume flow :	2.6 l/min
Volume flow at 12 MPa (120 bar) with water :	2.3 l/min
Max. temperature of the coating material :	43 °C
Max. viscosity :	20,000 mPas
Empty weight	
Model including carriage:	29 kg
Model on frame:	24 kg
Hydraulic oil filling quantity :	
Hydraulics housing	1.15 liter
Gears	0.05 liter
Plug connection on device (not included in all models):	230 Volt ~, 50 Hz
max. connection:	1500 W
Max. vibration at the spraygun :	lower than 2.5 m/s <sup>2</sup>
Max. sound pressure level:	74 dB (A)*

\*Place of measurement: 1 m distance from unit and 1.60 m above floor, 12 MPa (120 bar) operating pressure, reverberant floor

## 4 STARTUP

### 4.1 UNIT WITH SUCTION SYSTEM

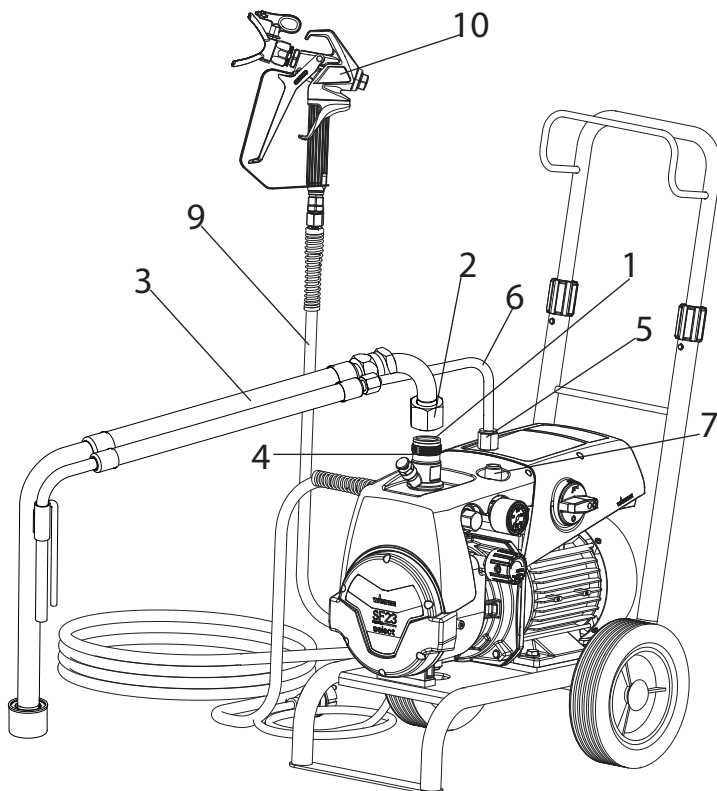
1. Ensure that the sealing surfaces of the connections are clean.  
Ensure that the red inlet (1) is inserted in the coating material inlet (4).
2. Use the enclosed 41 mm wrench to screw the union nut (2) at the suction hose (3) onto the coating material inlet (4) and tighten it.
3. Screw the union nut (5) at the return hose (6) to the connection (7) (22mm).

### 4.2 UNIT WITH UPPER HOPPER (5 LITRES)

1. Ensure that the sealing surfaces of the connections are clean. Ensure that the red inlet (1) is inserted in the coating material inlet (4).
2. Screw the union nut (5) on the return pipe (6) onto the connection (7).
3. Screw the upper hopper (8) onto the coating material inlet (4).

#### if using hopper with cleaning ring (TopClean) step 4 and 5

4. Fix TopClean on hopper upside
5. Plug in return pipe into TopClean and screw on union nut



### 4.3 HIGH PRESSURE HOSE AND SPRAY GUN

1. Screw the high pressure hose (9) onto the hose connection
2. Screw the spray gun (10) onto the high pressure hose
3. Tighten all union nuts on high pressure hose so that no coating material can escape.
4. Screw the tip holder with the selected tip onto the spray gun, align tip and tighten union nut.



Attention

When unscrewing the high pressure hose, hold firmly on the hose connection with a 22mm wrench.

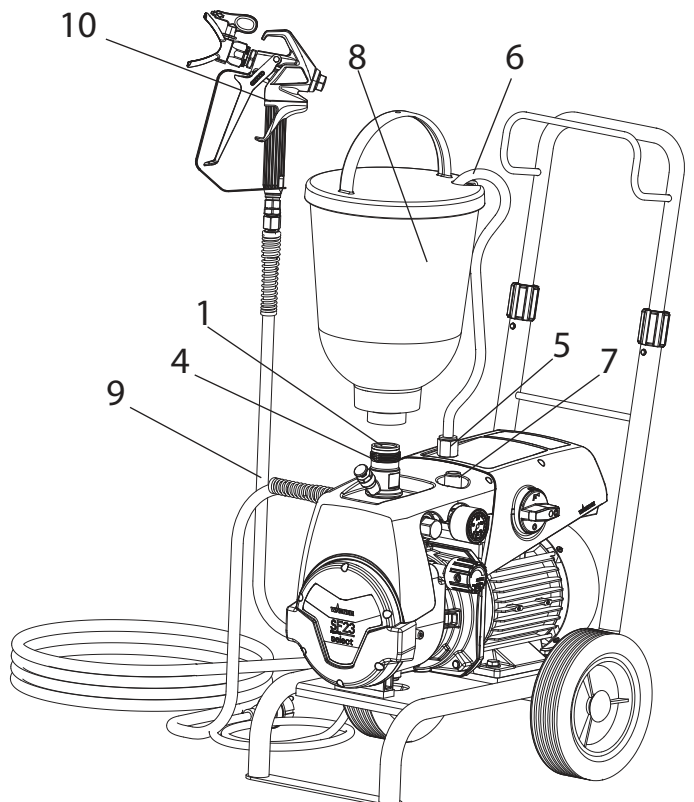
### 4.4 CONNECTION TO THE MAINS NETWORK



Attention


Connection must always be carried out via an appropriately grounded safety outlet with residual-current-operated circuit-breaker.

Before connecting the unit to the mains supply, ensure that the line voltage matches that specified on the unit's rating plate.



## 4.5 SOCKET ON UNIT (NOT INCLUDED IN ALL MODELS)

It is possible, for example, to connect an agitator, a working lamp etc with a **maximum of 1500 Watt**.



 <p><b>Attention</b></p>	<p>Always switch on the Super Finish 23 Select unit first and then the connected unit. Otherwise the fuse protection of 16 A inside the unit will react.</p>
---	--

## 4.6 CLEANING PRESERVING AGENT WHEN STARTING-UP OF OPERATION INITIALLY


### Unit with suction tube

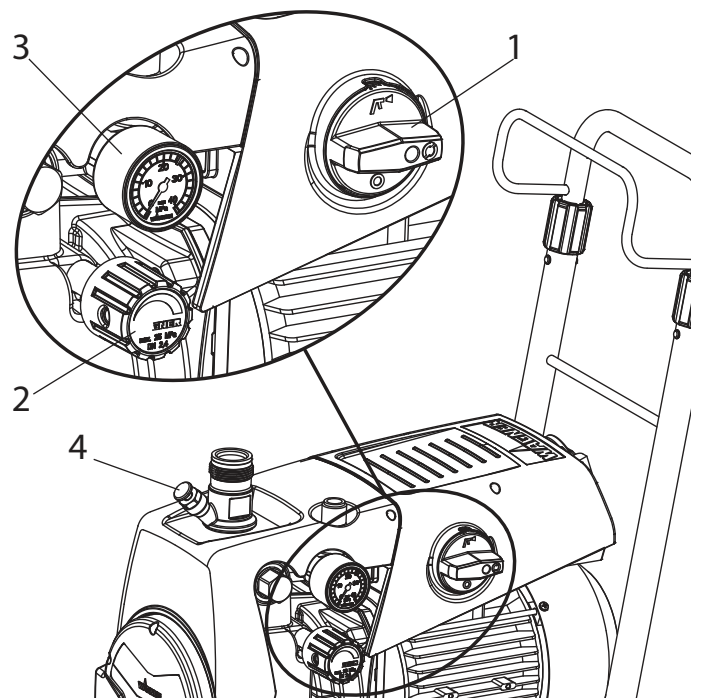
1. Immerse the suction system into a container filled with a suitable cleaning agent (recommendation: water).

### Unit with hopper

2. Fill up hopper with a suitable cleaning agent (recommendation: water).
3. Set multifunction switch (1) to  (ON- circulation); the unit commences to run.
4. Turn the pressure regulating knob (2) to the **right** until the stop is reached.
5. Wait until cleaning agent is emitted from the return hose.
6. Turn the pressure regulating knob (2) back approx. one rotation.
7. Set multifunction switch (1) to  (spray). Pressure is rising up inside the high pressure hose (visible at pressure gauge)
8. Point the tip of the spray gun into an open collecting container and pull the trigger guard at the spray gun.
9. The pressure is increased by turning the pressure regulating knob (2) to the right. Set approx. 10 MPa (100 bar) at the pressure gauge.
10. Spray the cleaning agent out of the unit for approx. 1 - 2 min. (~5 litres) into the open collecting container.

## 4.7 VENTILATE UNIT (HYDRAULIC SYSTEM) IF THE SOUND OF INLET VALVE IS NOT AUDIBLE

1. Switch on the unit.
2. Turn pressure regulating knob (2) **three revolutions** to the **left**.
3. Set multifunction switch (1) to  (ON - circulation). The hydraulic system is ventilated. Leave the unit on for two to three minutes.
4. Then turn pressure regulating knob (2) to the **right** until stop.
5. Press inlet valve pusher (4). Sound of the inlet valve is audible.
6. If not, repeat points 2 and 4





## 4.8 TAKING THE UNIT INTO OPERATION WITH COATING MATERIAL

### Unit with suction tube

1. Immerse the suction system into a container filled with coating material.

### Unit with hopper

2. Fill coating material into the hopper.
3. Press inlet valve pusher (4) several times to release possibly clogged inlet valve
4. Set multifunction switch (1) to  (ON - circulation); the unit will start.
5. Turn the pressure regulating knob (2) to the **right** until the stop is reached. When the noise of the valves changes, the unit is bled and takes in coating material.
6. If coating material exits from the return hose, turn the pressure regulating knob (2) back approx. 1 rotation.
7. Set multifunction switch (1) to  (spray). Pressure is rising up inside the high pressure hose (visible at pressure gauge (3)).
8. Pull of the spray gun and spray into an open collecting container in order to remove the remaining cleaning agent from the unit. When coating materials exits from the tip, close the spray gun.
9. Adjust the spraying pressure by turning the pressure regulating knob (2).
10. The unit is ready to spray.

## 5 SPRAYING TECHNOLOGY

Move the spray gun evenly during the spraying process. If this is not observed, an irregular spraying appearance will be the result. Carry out the movement with the arm, not with the wrist. A parallel distance of approx. 30 cm between the tip and the surface to be coated should always be observed. The lateral limitation of the spray fan should not be too distinct. The edge of spraying should be gradual to facilitate overlapping of the next coat. The spray gun should always be held at an angle of 90° to the surface to be coated. A spray fan aimed obliquely at the surface to be coated leads to an unwanted spray cloud.

To achieve perfect surfaces at varnishing works, special accessories are available at Wagner, e.g. FineFinish tips or an AirCoat gun set. Your Wagner dealer will advise you.

## 6 HANDLING THE HIGH-PRESSURE HOSE

The unit is equipped with a high-pressure hose specially suited for diaphragm pumps.

 <b>Danger</b>	Danger of injury through leaking high-pressure hose. Replace any damaged high-pressure hose immediately. Never repair defective high-pressure hoses yourself!
-------------------	--

The high-pressure hose is to be handled with care. Avoid sharp bends and folds: the smallest bending radius is about 20 cm. Do **not drive over** the high-pressure hose. Protect against sharp objects and edges.

Never pull on the high-pressure hose to move the device. Make sure that the high-pressure hose cannot twist. This can be avoided by using a Wagner spray gun with a swivel joint and a hose system.

	When using the high-pressure hose while working on scaffolding, it is best to always guide the hose along the <b>outside</b> of the scaffolding.
--	--

	The risk of damage rises with the age of the high-pressure hose. Wagner recommends replacing high-pressure hoses after 6 years.
--	--

	Only use WAGNER original-high-pressure hoses with internal heating in order to ensure functionality, safety and durability.
--	---

## 7 INTERRUPTION OF WORK

1. Switch off unit, set multifunction switch to (pressure relief, circulation), then to **0** (OFF).
2. Pull trigger guard of spray gun to decrease the pressure of the high pressure hose and the spray gun.
3. Secure the spray gun, refer to the operating manual of the spray gun.
4. Remove tip from tip holder and store the tip in a small vessel with suitable cleaning agent.
5. Leave the suction system immersed in the coating material or immerse it in the corresponding cleaning agent. The suction filter and unit should not dry out.
6. Cover the material container in order to prevent the paint from drying.

	In using quick-drying or two-component coating materials, do not fail to rinse unit through with a suitable cleaning agent during the processing period.
--	--

## 8 CLEANING THE UNIT

A clean state is the best method of ensuring operation without problems. After you have finished spraying, clean the unit. Under no circumstances may coating material rests dry and harden in the unit. The cleaning agent used for cleaning (only with a flash point above 21 °C) must be suitable for the coating material used.

- **Secure the spray gun**, refer to the operating manual of the spray gun.  
Remove and clean the tip.
- **Unit with suction system**
  1. Set multifunction switch to (ON - circulation).
  2. Remove suction tube from the material container, the return tube remains over the material container.
  3. Immerse the suction system into a container filled with a suitable cleaning agent
  4. Turn the pressure control valve back in order to set a minimal spraying pressure.
  5. Set multifunction switch to (spray).
  6. Pull the trigger guard of the spray gun in order to pump the remaining coating material from the suction hose, high-pressure hose and the spray gun into an open container (if appropriate, increase the pressure at the pressure control valve slowly in order to obtain a higher material flow).

	The container must be earthed in case of coating materials which contain solvents.
<b>Attention</b>	

	Caution! Do not pump or spray in container with small opening (bunghole)! See safety regulations.
<b>Attention</b>	

7. Set multifunction switch to (ON - circulation).
8. Pump suitable cleaning agent in the circuit for several minutes.

	The cleaning effect is increased by alternatively opening and closing the spray gun.
--	--

9. Set multifunction switch to (spray).
10. Pump the remaining cleaning agent into an open container until the pump is empty.
11. Switch off the unit

	Warm water improves the cleaning effect in the case of water-dilutable coating materials.
--	---

- **Unit with upper hopper**
  1. Set multifunction switch to (ON - circulation).
  2. Turn the pressure control valve back in order to set a minimal spraying pressure.
  3. Set multifunction switch to (spray).
  4. Pull the trigger guard of the spray gun in order to pump the remaining coating material from the hopper, high-pressure hose and the spray gun into an open container (if appropriate, increase the pressure at the pressure control valve slowly in order to obtain a higher material flow).

	The container must be earthed in case of coating materials which contain solvents.
<b>Attention</b>	

	Caution! Do not pump or spray in container with small opening (bunghole)! See safety regulations.
<b>Attention</b>	

5. Fill up hopper with suitable cleaning agent.
6. Set multifunction switch to (ON - circulation).
7. Pump suitable cleaning agent in the circuit for several minutes.



### with cleaning ring (TopClean) step 8 up to 12

8. Switch reverser knob into a horizontal position.  
The cleaning agent will flow around the circumference of the inner hopper wall and will clean it in some minutes, depending of the fouling
9. Switch reverser knob into the upright position.  
Cleaning agent is flowing directly into the hopper

	Do not switch the reverser knob at the cleaning ring into the horizontal position when the pump is loaded with coating material. The holes could be plugged. As a result the cleaning function will be reduced, as the cleaning ring has to clean itself first.
--	--


10. Set multifunction switch to (spray).
11. Pump the remaining cleaning agent from the hopper, high-pressure hose and the spray gun into an open container
12. Set multifunction switch to (ON - circulation).
13. Switch off unit

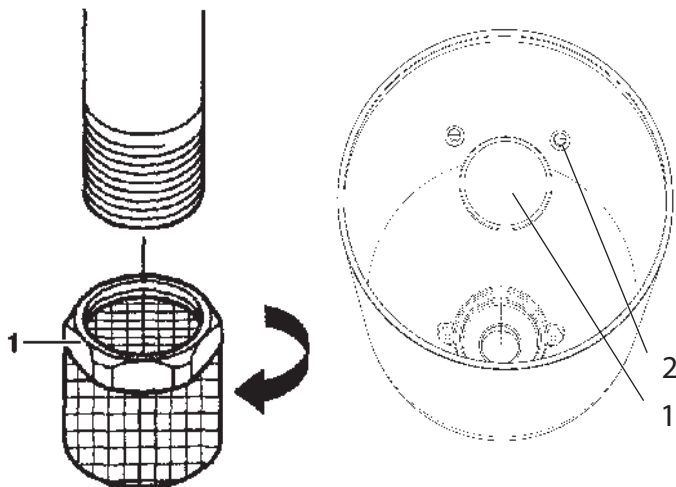
### 8.1 CLEANING THE UNIT FROM THE OUTSIDE

 <b>Danger</b>	<p>First unplug the power plug from the outlet.</p> <p>Danger of short-circuits caused by water ingress! Never spray down the unit with high-pressure or high-pressure steam cleaners.</p>
 <b>Danger</b>	<p>Do not put the high-pressure hose into solvents. Use only a wet cloth to wipe down the outside of the hose.</p>

Wipe down unit externally with a cloth which has been immersed in a suitable cleaning agent.

### 8.2 SUCTION FILTER

	<p>Clean filters always ensure maximum volume, constant spray pressure and problem-free functioning of the unit.</p>
---	--



suction system

5l hopper

Unit with suction system

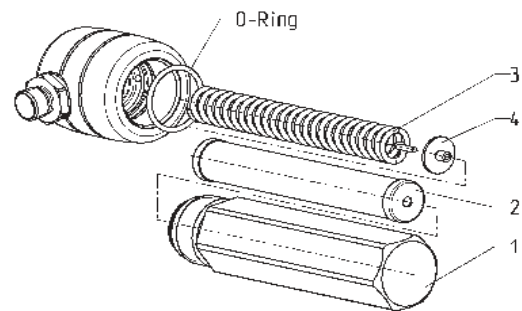
1. Unscrew the filter (Item 1) from the suction tube.
2. Clean or replace the filter.  
Carry out cleaning with a hard brush and a corresponding cleaning agent.

Unit with hopper

1. Release screws with a screwdriver (Item 2).
2. Lift and remove filter disk with a screwdriver
3. Clean or replace the filter disk.  
Carry out cleaning with a hard brush and a corresponding cleaning agent.

### 8.3 HIGH-PRESSURE FILTER

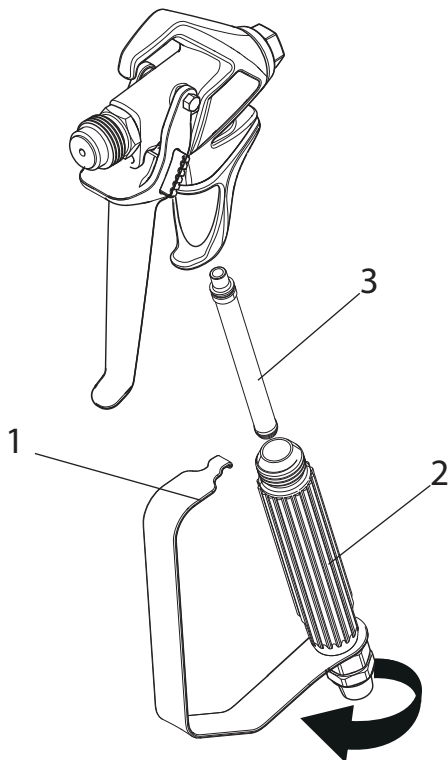
1. Switch off unit – set multifunction switch to **0** (OFF).
2. Open the high-pressure filter and clean the filter insert. To do so:
3. Unscrew the filter housing (1) by hand.
4. Remove the filter insert (2) and pull out the bearing spring (3).
5. Clean all the parts with the corresponding cleaning agent. If compressed air is available – blow through the filter insert and bearing spring.
6. When mounting the filter ensure that the bearing ring (4) in the filter insert is positioned correctly and check the O-ring at the filter housing for damage.
7. Screw on the filter housing by hand until it stops (a higher tightening force only impedes later dismantling).





## 8.4 CLEANING THE AIRLESS SPRAY GUN

1. Rinse the Airless spray gun with a suitable cleaning agent under lower operating pressure.
2. Clean the tip thoroughly with a suitable cleaning agent so that no suitable coating material rests remain.
3. Do not store the tip in solvent because this reduces the durability considerably.
4. Clean the outside of the Airless spray gun thoroughly.



### Insertion filter in the Airless spray gun

1. Unclip the top of the trigger guard (1) from the gun head.
2. Using the bottom of the trigger guard as a wrench, loosen and remove the handle assembly (2) from the gun head.
3. Pull the old filter (3) out of the gun head. Clean or replace.
4. Slide the new filter, tapered end first, into the gun head.
5. Thread the handle assembly into the gun head. Tighten with the trigger wrench.
6. Snap the trigger guard back onto the gun head.

## 9 SERVICING

### 9.1 GENERAL SERVICING



We strongly recommend having an annual check carried out by technicians for safety reasons. Please observe all the applicable national regulations.



You can servicing of the unit carried out by the Wagner Service. Favourable conditions can be agreed with a service agreement and/or maintenance packages.

### Minimum check before every startup:

1. Check the high-pressure hose, spray gun with rotary joint, power supply cable with plug for damage.
2. Check whether the pressure gauge can be read.

### Check at periodical intervals:

1. Check inlet and outlet valve according wear. Clean it and replace worn out parts.
2. Check all filter inserts (spray gun, suction system) clean it and replace if necessary.

### 9.2 HIGH-PRESSURE HOSE

Inspect the high-pressure hose visually for any notches or bulges, in particular at the transition in the fittings. It must be possible to turn the union nuts freely. A conductivity of less than

1 MΩ must exist across the entire length.




Have all the electric tests carried by the Wagner Service.



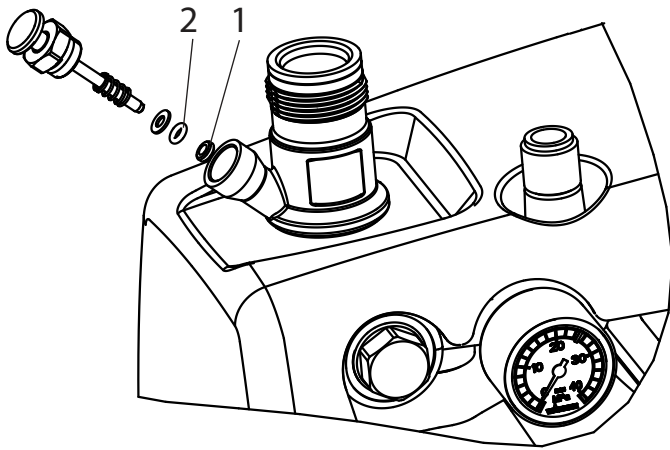
The risk of damage rises with the age of the high-pressure hose. Wagner recommends replacing high-pressure hoses after 6 years.

## 10 REPAIRS AT THE UNIT

 <p><b>Danger</b></p>	<p>Switch the unit off. Before all repair work: Unplug the power plug from the outlet.</p>
---	--

### 10.1 INLET VALVE PUSHER

1. Use a 17 mm spanner to screw out the inlet valve button.
2. Replace the wiper (1) and O-ring (2).

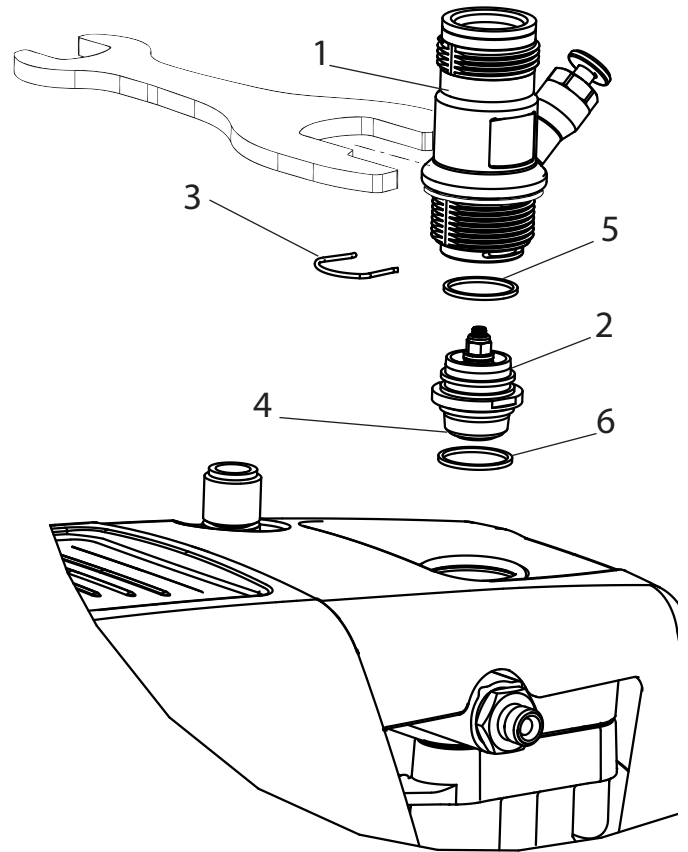


### 10.2 INLET VALVE

1. Place the enclosed 30 mm wrench on the trigger housing (1).
2. Loosen the trigger housing (1) with light blows of a hammer on the end of the wrench.
3. Screw out the trigger housing with the inlet valve (2) from the paint section.
4. Pull of the clasp (3) using the enclosed screwdriver.
5. Place the enclosed 30 mm wrench on the inlet valve (2). Turn out the inlet valve carefully.
6. Clean the valve seat (4) with a cleaning agent and brush (ensure that no brush hairs are left behind).
7. Clean the seals (5, 6) and check for damage. Replace, if necessary.
8. Check all the valve parts for damage. In case of visible wear replace the inlet valve.

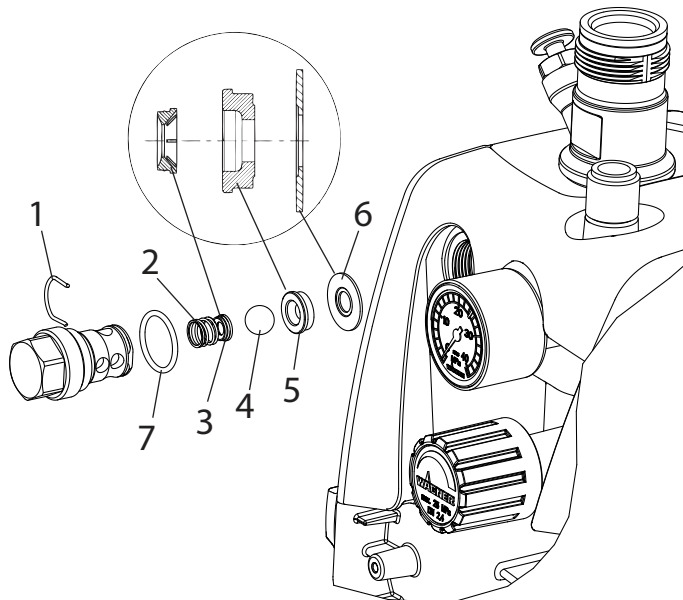
### Installation

1. Insert the inlet valve (2) into the trigger housing (1) and secure with the clasp (3). Ensure that the (black) seal (5) is mounted in the trigger housing.
2. Screw the unit from the trigger housing and the inlet valve into the paint section. The same (black) seal (6) has to be mounted in the paint section.
3. Tighten the trigger housing with the 30 mm wrench and tighten with three light blows of the hammer on the end of the wrench. (Corresponds to approx. 90 Nm tightening torque).



### 10.3 OUTLET VALVE

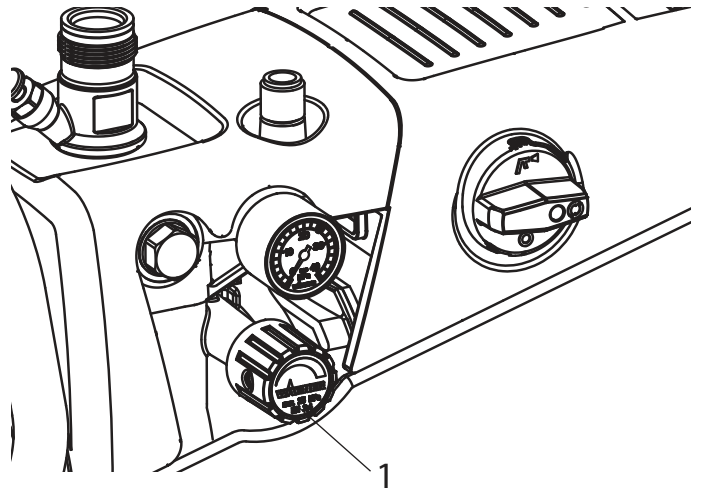
1. Use a 22 mm wrench to screw the outlet valve from the paint section.
2. Carefully pull of the clasp (1) using the enclosed screwdriver. The compression spring (2) presses ball (4) and valve seat (5) out.
3. Clean or replace the components.
4. Check the O-ring (7) for damage.
5. Check the installation position when mounting the spring support ring (3) (clipped onto spring (2)), outlet valve seat (5) and seal (6), refer to figure.



### 10.4 PRESSURE CONTROL VALVE



Only have the pressure control valve (1) replaced by the customer service. The max. operating pressure has to be reset by the customer service.



### 10.5 REPLACING THE POWER CABLE



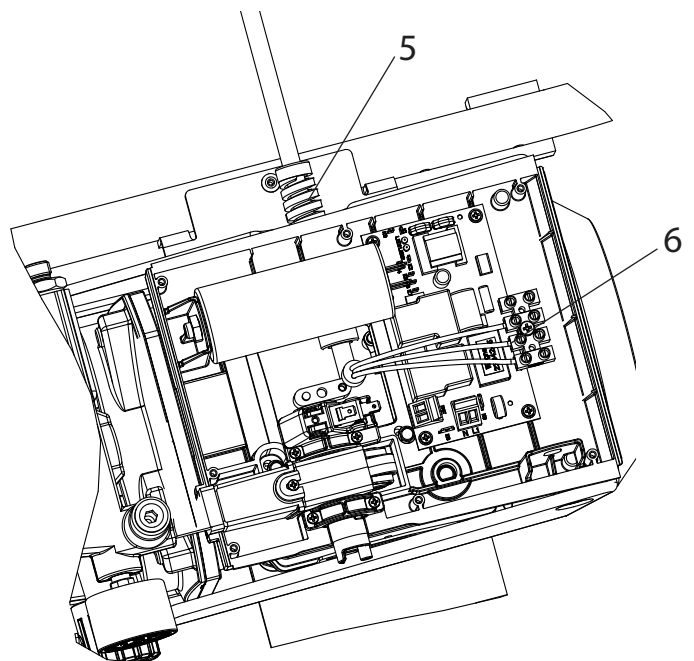
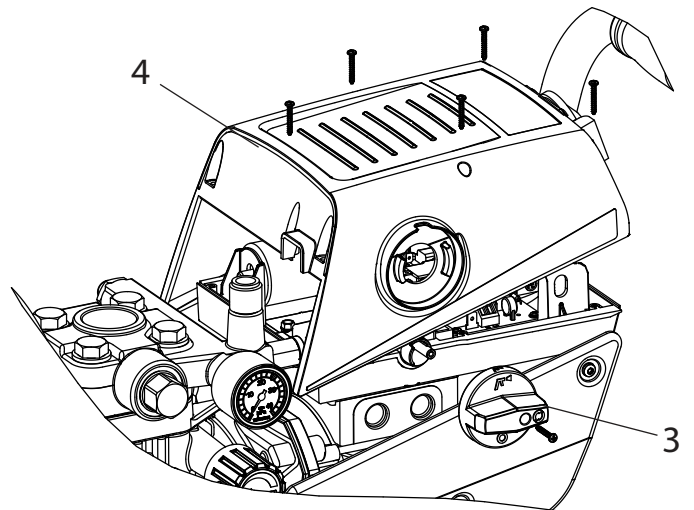
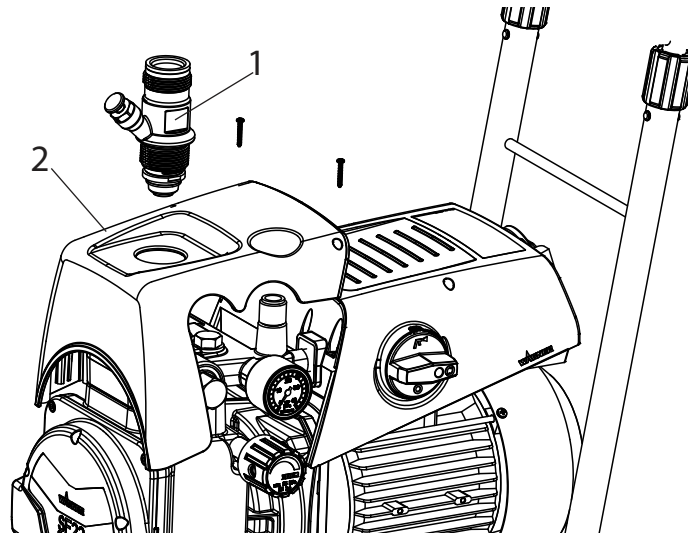
**Danger**

This may only be carried out by a skilled electrician. No liability is assumed for incorrect installation.

Switch the unit off.

Before all repair work: Unplug the power plug from the outlet.

1. In models with a front cover unscrew the trigger housing with inlet valve (1) from the paint section (see inlet valve, 10.2, sections 1 to 3) and remove the front cover (2) by unscrewing the screws.
2. Remove the multi-function switch (3) by unscrewing the screws.
3. Remove the rear cover (4) by loosening the screws.
4. Loosen the cable threaded joint (5).
5. Loosen the wires in the mains terminal (6).
6. Replace the unit connecting line.  
(only an approved power cable with the designation H07-RNF with a splash-proof plug may be used).
7. Connect the green/yellow wire to the contact with the PE sign.
8. Remount the covers carefully (do not squeeze any cables!)
9. Screw the trigger housing back into place (see inlet valve, 10.2, sections 3)



### 10.6 TYPICAL WEAR PARTS

Despite the use of high-quality materials the highly abrasive effect of the paints means that wear can occur at the following parts:

**Inlet valve** (spare part Order No.: 0344700)

For replacing refer to Section 10.2

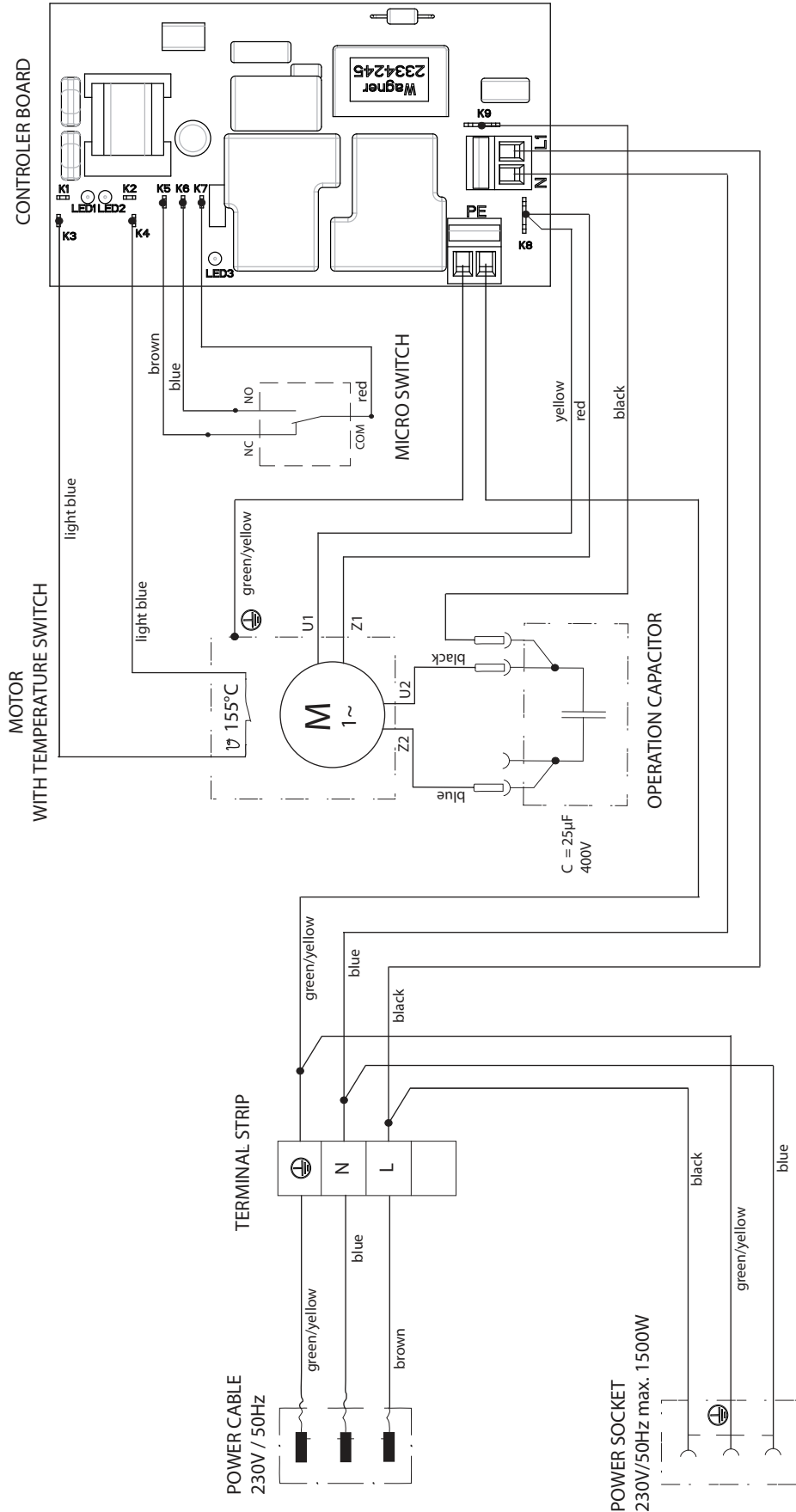
(failure becomes noticeable through performance loss and/or poor or no suction)

**Outlet valve** (spare part Order No.: 0341702)

For replacing refer to Section 10.3

(failure becomes noticeable through performance loss and/or poor suction) The outlet valve is usually considerably more durable than the inlet valve. Thorough cleaning may already help here.

## 10.7 CONNECTION DIAGRAM



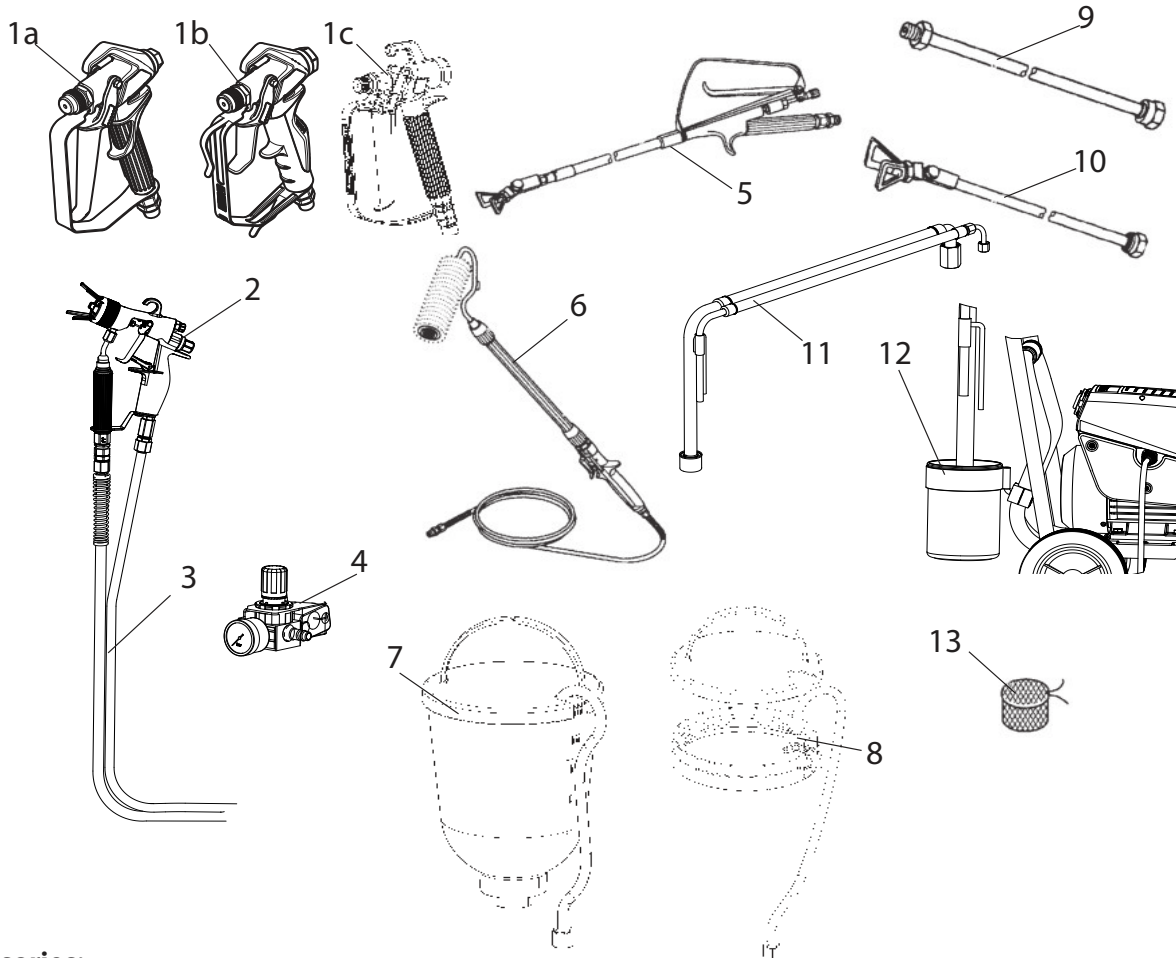
**10.8 REMEDY IN CASE OF FAULTS**

TYPE OF MALFUNCTION	WHAT ELSE?	POSSIBLE CAUSE	MEASURES FOR ELIMINATING THE MALFUNCTION
Unit does not start	Multifunction switch can not switched on	No voltage applied	Check voltage supply
		Unit fuse has triggered	Let the motor cool down
		Multi-function switch not set back previously to „0“	Set multi-function switch to „0“ and then switch back on
Unit does not suck in	Air bubbles do not exit at the return hose	Inlet valve clogged	Press the inlet valve button until the stop is reached several times by hand
		Inlet/outlet valve soiled / foreign bodies (e.g. threads) drawn in / worn	Remove the valves and clean then (-> refer to Section Pkt.10.2/10.3) / replace worn parts
		Pressure control valve turned down completely	Turn the pressure control valve to the right until the stop is reached
	Air bubbles exit from the return hose	Unit is sucking in outside air	Check: Suction system tightened properly? Inlet valve button leaky? -> Replace wiper and O-ring (-> refer to Section 10.1) The red entry is missing in the coating material entrance (-> see 4.1)
Unit does not generate pressure	Unit has sucked in	Air in the oil circuit	Bleed the oil circuit in the unit by turning the pressure control valve completely to the left (until overturning) and let it run approx. 2 – 3 min. Then turn the pressure control valve to the right and set the spraying pressure (repeat process several times, if necessary). Process is assisted by positioning the unit vertically.
	Unit reached pressure, but the pressure collapses, also at the pressure gage, during spraying.	Suction filter clogged	Check the suction filter. If necessary, clean/replace
		Paint cannot be worked in this state. Due to its properties the paint clogs the valves (inlet valve) and the delivery rate is too low.	Dilute the paint
	Unit reached pressure, but the pressure collapses during spraying. pressure gage still shows high pressure	Clogged filter do not let enough paint pass	Check/clean the (high-pressure filter) gun filter
		Tip clogged	Clean the tip (-> refer to Section 10.1)
	Unit does not generate the max. pressure possible. Paint nevertheless exits at the return hose.	Relief valve defective	Please contact Wager Customer Service



## 11 SPARE PARTS AND ACCESSORIES

### 11.1 SUPER FINISH 23 SELECT ACCESSORIES

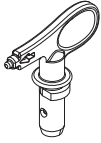


**Accessories:**

ITEM	DESIGNATION	ORDER NO.
1a	Spray gun Vector Pro (2-finger)	0538 041
	Spray gun Vector Pro (4-finger)	0538 040
1b	Spray gun Vector Pro (2-finger and 4-finger)	0538 043
1c	Spray gun AG-14 (stainless steel)	0502 166
2	AirCoat spray gun AC 4600 (blue)	0394 156
3	Double hose	9984 564
	HP hose DN-3, 7.5 m	9984 583
4	AirCoat-controller set	0340 250
5	Pole gun	
	Length 120cm; G thread 7/8"	0296 441
	Length 120cm; F thread 11/16"	0296 443
	Length 200cm; G thread 7/8"	0296 442
	Length 200cm; F thread 11/16"	0296 444
6	Inline Roller	0345 010
7	Hopper 5l	0341 265

ITEM	DESIGNATION	ORDER NO.
8	Hopper cleaning ring (TopClean)	0340 930
9	Tip extension	
	Length 15 cm	0556 051
	Length 30 cm	0556 052
	Length 45 cm	0556 053
	Length 60 cm	0556 054
10	Tip extension with Slewable knee joint	
	Length 100 cm	0096 015
	Length 200 cm	0096 016
	Length 300 cm	0096 017
11	Suction system (flexible)	2368 361
12	Cleaning container for suction system with holder	2343 481
13	Filter bag, mesh width 0,3 mm	0097 531

## Airless tip table



**Wagner TradeTip 3 tip**  
up to 270 bar  
(27 MPa)



without tip  
F thread (11/16 - 16 UN)  
for Wagner spray guns  
**Order no. 0289391**

without tip  
G thread (7/8 - 14 UN)  
for Graco/Titan spray guns  
**Order no. 0289390**



All of the tips in the table below are supplied together with the appropriate gun filter.

Application	Tip marking	Spray angle	Bore inch / mm	Spraying width mm 1)	Gun filter	Order no.
Water-thinnable and solvent-based paints and varnishes, oils, separating agents	107	10°	0.007 / 0.18	100	red	0553107
	207	20°	0.007 / 0.18	120	red	0553207
	307	30°	0.007 / 0.18	150	red	0553307
	407	40°	0.007 / 0.18	190	red	0553407
	109	10°	0.009 / 0.23	100	red	0553109
	209	20°	0.009 / 0.23	120	red	0553209
	309	30°	0.009 / 0.23	150	red	0553309
	409	40°	0.009 / 0.23	190	red	0553409
	509	50°	0.009 / 0.23	225	red	0553509
	609	60°	0.009 / 0.23	270	red	0553609
Synthetic-resin paints PVC paints	111	10°	0.011 / 0.28	100	red	0553111
	211	20°	0.011 / 0.28	120	red	0553211
	311	30°	0.011 / 0.28	150	red	0553311
	411	40°	0.011 / 0.28	190	red	0553411
	511	50°	0.011 / 0.28	225	red	0553511
	611	60°	0.011 / 0.28	270	red	0553611
Paints, primers Fillers	113	10°	0.013 / 0.33	100	red	0553113
	213	20°	0.013 / 0.33	120	red	0553213
	313	30°	0.013 / 0.33	150	red	0553313
	413	40°	0.013 / 0.33	190	red	0553413
	513	50°	0.013 / 0.33	225	red	0553513
	613	60°	0.013 / 0.33	270	red	0553613
	813	80°	0.013 / 0.33	330	red	0553813
Fillers Rust protection paints	115	10°	0.015 / 0.38	100	yellow	0553115
	215	20°	0.015 / 0.38	120	yellow	0553215
	315	30°	0.015 / 0.38	150	yellow	0553315
	415	40°	0.015 / 0.38	190	yellow	0553415
	515	50°	0.015 / 0.38	225	yellow	0553515
	615	60°	0.015 / 0.38	270	yellow	0553615
	715	70°	0.015 / 0.38	300	yellow	0553715
	815	80°	0.015 / 0.38	330	yellow	0553815
Rust protection paints Latex paints Dispersions	117	10°	0.017 / 0.43	100	white	0553117
	217	20°	0.017 / 0.43	120	white	0553217
	317	30°	0.017 / 0.43	150	white	0553317
	417	40°	0.017 / 0.43	190	white	0553417
	517	50°	0.017 / 0.43	225	white	0553517
	617	60°	0.017 / 0.43	270	white	0553617
	717	70°	0.017 / 0.43	300	white	0553717
	817	80°	0.017 / 0.43	330	white	0553817
Rust protection paints Latex paints Dispersions	219	20°	0.019 / 0.48	120	white	0553219
	319	30°	0.019 / 0.48	150	white	0553319
	419	40°	0.019 / 0.48	190	white	0553419
	519	50°	0.019 / 0.48	225	white	0553519
	619	60°	0.019 / 0.48	270	white	0553619
	719	70°	0.019 / 0.48	300	white	0553719
	819	80°	0.019 / 0.48	330	white	0553819
	919	90°	0.019 / 0.48	385	white	0553919
	Flame retardant	221	20°	0.021 / 0.53	120	white
321		30°	0.021 / 0.53	150	white	0553321
421		40°	0.021 / 0.53	190	white	0553421
521		50°	0.021 / 0.53	225	white	0553521
621		60°	0.021 / 0.53	270	white	0553621
721		70°	0.021 / 0.53	300	white	0553721
821		80°	0.021 / 0.53	330	white	0553821

1) Spray width at about 30 cm to the object and 100 bar (10 MPa) pressure with synthetic-resin paint 20 DIN seconds.

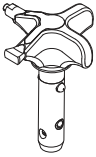


All of the tips in the table below are supplied together with the appropriate gun filter.

Application	Tip marking	Spray angle	Bore inch / mm	Spraying width mm 1)	Gun filter	Order no.
<b>Roof coatings</b>	223	20°	0.023 / 0.58	120	white	0553223
	323	30°	0.023 / 0.58	150	white	0553323
	423	40°	0.023 / 0.58	190	white	0553423
	523	50°	0.023 / 0.58	225	white	0553523
	623	60°	0.023 / 0.58	270	white	0553623
	723	70°	0.023 / 0.58	300	white	0553723
	823	80°	0.023 / 0.58	330	white	0553823
	<b>Thick-film materials, Corrosion protection Spray filler</b>	225	20°	0.025 / 0.64	120	white
325		30°	0.025 / 0.64	150	white	0553325
425		40°	0.025 / 0.64	190	white	0553425
525		50°	0.025 / 0.64	225	white	0553525
625		60°	0.025 / 0.64	270	white	0553625
725		70°	0.025 / 0.64	300	white	0553725
825		80°	0.025 / 0.64	330	white	0553825
227		20°	0.027 / 0.69	120	white	0553227
327		30°	0.027 / 0.69	150	white	0553327
427		40°	0.027 / 0.69	190	white	0553427
527		50°	0.027 / 0.69	225	white	0553527
627		60°	0.027 / 0.69	270	white	0553627
827		80°	0.027 / 0.69	330	white	0553827
229		20°	0.029 / 0.75	120	white	0553229
329		30°	0.029 / 0.75	150	white	0553329
429		40°	0.029 / 0.75	190	white	0553429
529		50°	0.029 / 0.75	225	white	0553529
629		60°	0.029 / 0.75	270	white	0553629
231		20°	0.031 / 0.79	120	white	0553231
331		30°	0.031 / 0.79	150	white	0553331
431		40°	0.031 / 0.79	190	white	0553431
531		50°	0.031 / 0.79	225	white	0553531
631		60°	0.031 / 0.79	270	white	0553631
731		70°	0.031 / 0.79	300	white	0553731
831		80°	0.031 / 0.79	330	white	0553831
233		20°	0.033 / 0.83	120	white	0553233
333		30°	0.033 / 0.83	150	white	0553333
433		40°	0.033 / 0.83	190	white	0553433
533		50°	0.033 / 0.83	225	white	0553533
633		60°	0.033 / 0.83	270	white	0553633
235		20°	0.035 / 0.90	120	white	0553235
335		30°	0.035 / 0.90	150	white	0553335
435		40°	0.035 / 0.90	190	white	0553435
535		50°	0.035 / 0.90	225	white	0553535
635		60°	0.035 / 0.90	270	white	0553635
735		70°	0.035 / 0.90	300	white	0553735
439		40°	0.039 / 0.99	190	white	0553439
539		50°	0.039 / 0.99	225	white	0553539
639		60°	0.039 / 0.99	270	white	0553639
<b>Heavy duty applications</b>		243	20°	0.043 / 1.10	120	green
	443	40°	0.043 / 1.10	190	green	0553443
	543	50°	0.043 / 1.10	225	green	0553543
	643	60°	0.043 / 1.10	270	green	0553643
	445	40°	0.045 / 1.14	190	green	0553445
	545	50°	0.045 / 1.14	225	green	0553545
	645	60°	0.045 / 1.14	270	green	0553645
	451	40°	0.051 / 1.30	190	green	0553451
	551	50°	0.051 / 1.30	225	green	0553551
	651	60°	0.051 / 1.30	270	green	0553651
	252	20°	0.052 / 1.32	120	green	0553252
	455	40°	0.055 / 1.40	190	green	0553455
	555	50°	0.055 / 1.40	225	green	0553555
	655	60°	0.055 / 1.40	270	green	0553655
	261	20°	0.061 / 1.55	120	green	0553261
	461	40°	0.061 / 1.55	190	green	0553461
	561	50°	0.061 / 1.55	225	green	0553561
	661	60°	0.061 / 1.55	270	green	0553661
	263	20°	0.063 / 1.60	120	green	0553263
	463	40°	0.063 / 1.60	190	green	0553463
	565	50°	0.065 / 1.65	225	green	0553565
	665	60°	0.065 / 1.65	270	green	0553665
	267	20°	0.067 / 1.70	120	green	0553267
	467	40°	0.067 / 1.70	190	green	0553467

1) Spray width at about 30 cm to the object and 100 bar (10 MPa) pressure with synthetic-resin paint 20 DIN seconds.

## 2SpeedTip



The innovative changeover nozzle from WAGNER combines two nozzle cores into one nozzle.



2 Speed Tip holder  
Order no. 0271065

## Tip table

Object size	Painting material		
	Lacquer (L)	Emulsion (D)	Filler (S)
Small		D5 Nozzles: 111 / 415 <b>Order no. 0271 062</b>	S5 Nozzles: 225 / 629 <b>Order no. 0271 064</b>
		D7 Nozzles: 113 / 417 <b>Order no. 0271 063</b>	
	L10 Nozzles: 208 / 510 <b>Order no. 0271 042</b>	D10 Nozzles: 111 / 419 <b>Order no. 0271 045</b>	S10 Nozzles: 527 / 235 <b>Order no. 0271 049</b>
Medium	L20 Nozzles: 210 / 512 <b>Order no. 0271 043</b>	D20 Nozzles: 115 / 421 <b>Order no. 0271 046</b>	S20 Nozzles: 539 / 243 <b>Order no. 0271 050</b>
Large	L30 Nozzles: 212 / 514 <b>Order no. 0271 044</b>	D30 Nozzles: 115 / 423 <b>Order no. 0271 047</b>	S30 Nozzles: 543 / 252 <b>Order no. 0271 051</b>
X-Large		D40 Nozzles: 117 / 427 <b>Order no. 0271 048</b>	
Recommended gun filter	red	white	-

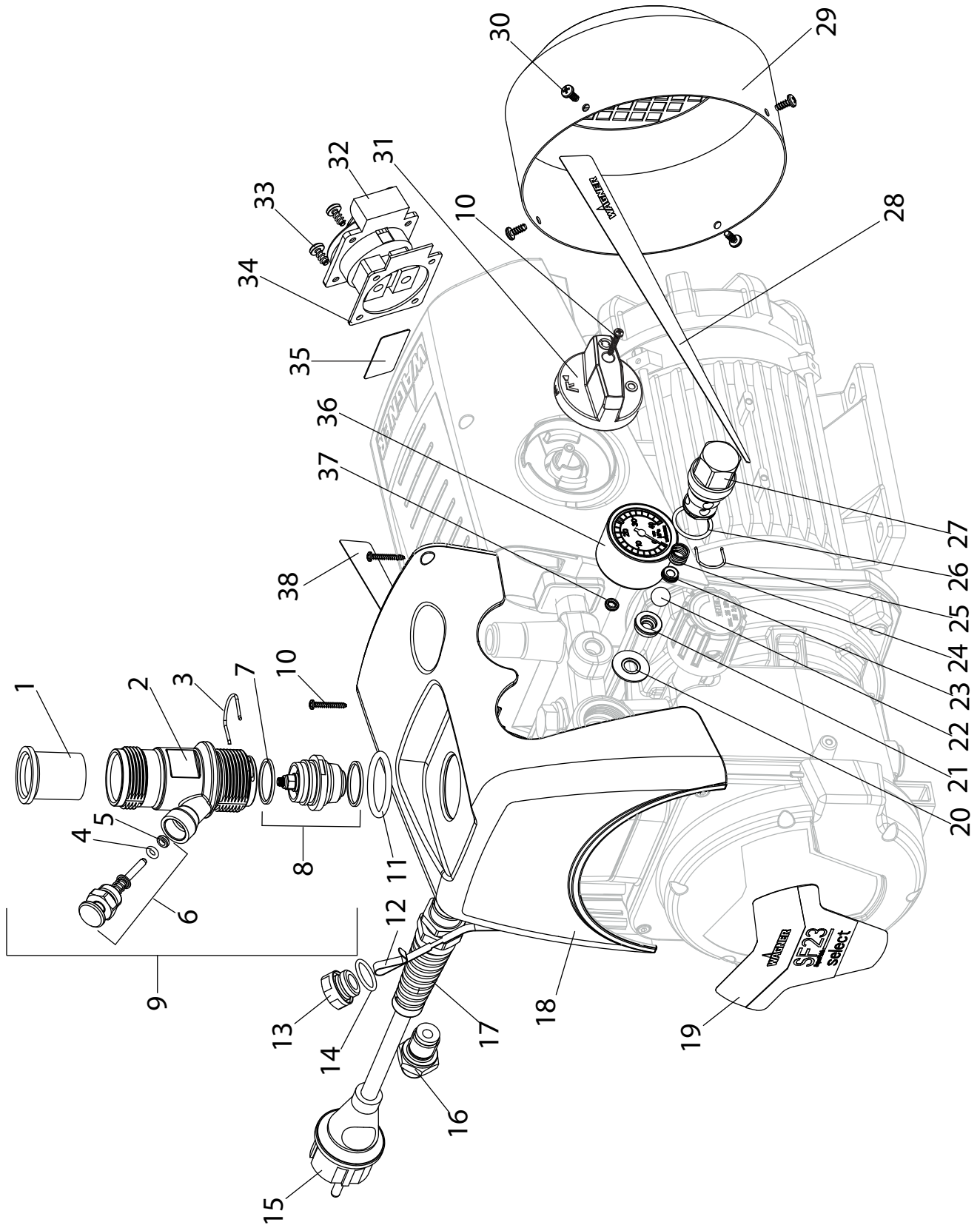


## 11.2 SPARE PARTS LIST SF 23 SELECT

ITEM	ORDER-NO	DESIGNATION
1	0340 339	Inlet
2	2334 383	Inlet valve trigger housing
3	0341 336	Clasp
4	9971 486	O-ring
5	0341 316	Wiper
6	2337 033	Inlet valve trigger (incl. pos. 4, 5)
7	0341 331	Sealing ring
8	0344 700	Inlet valve (incl. pos.7 (2x))
9	2334 402	Inlet valve complete. (pos. 1,2,3,6,8)
10	0421 328	Oval head screw 3, 17x20
11	2337 138	O-ring 31.4 x 3.55
12	2362 313	Oil measuring stick
13	0341 349	Oil cap screw
14	9971 146	O-ring
15	0261 352	Mains cable H07-RNF 3x 1.5mm <sup>2</sup> , 6m long
16	0344 336	Double socket NPS 1/4"
17	9952 685	Cable threaded joint
18	2334 038	Cover
19	2339 570	Label SF 23 Select
20	0341 347	Sealing ring
21	0341 327	Outlet valve seat
22	9941 501	Ball 10
23	0253 405	Spring support ring
24	0341 326	Pressure spring
25	0341 328	Clasp
26	9971 470	O-ring 20x2
	0341 702	Outlet valve, service set (pos. 20-26)
27	2342 946	Outlet valve complete (incl. pos.20-26)
28	2341 466	Label (left)
29	2337 557	Fan cover
30	9902 225	Oval head screw 3.5x9.5
31	2342 501	Multi-function switch
32	9950 241	Socket
33	9905 113	Oval head screw 5x10
34	9950 242	Seal
35	2342 535	Label

36	2343 666	Pressure gauge
37	9970 218	Sealing ring
38	2341 465	Label (right)

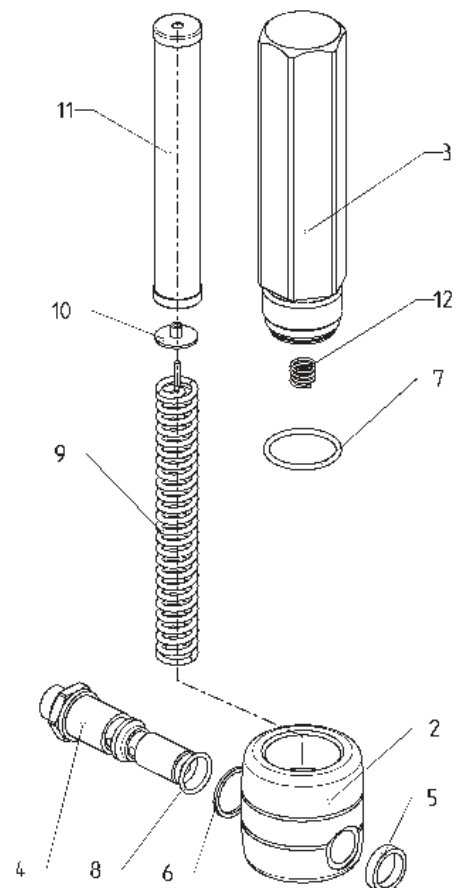




Spare parts diagram SF 23 Select

**11.3 SPARE PARTS LIST HIGH-PRESSURE FILTER**

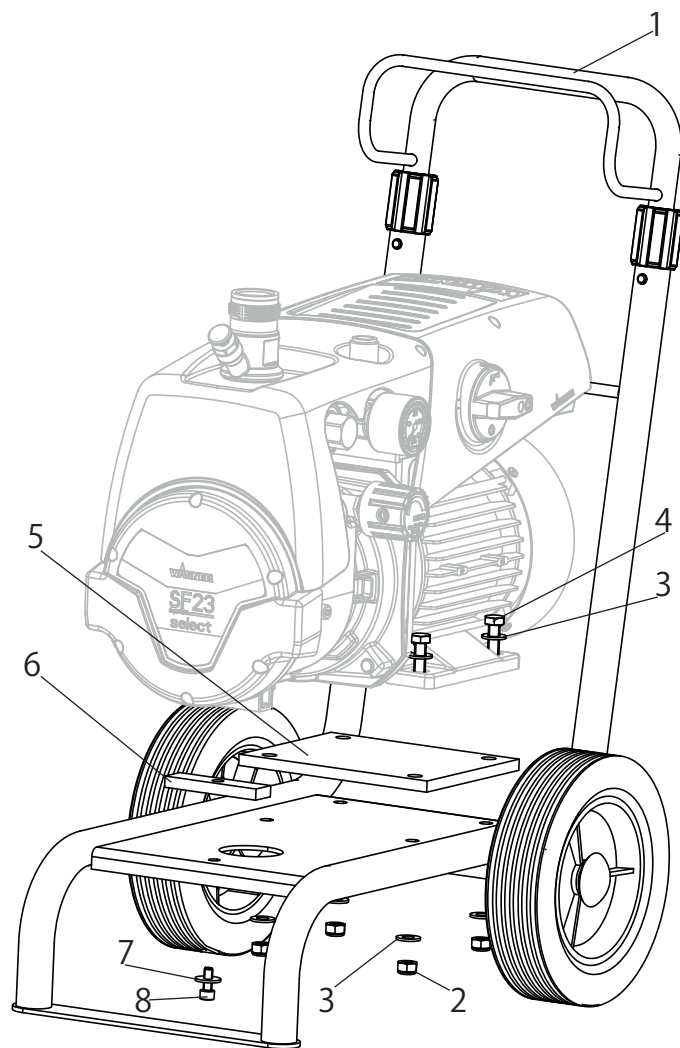
ITEM	ORDER NO.	DESIGNATION
1	0097 121	High-pressure filter HF- 01 compl.
2	0097 301	Filter block
3	0097 302	Filter housing
4	0097 303	Hollow screw
5	0097 304	Seal ring
6	9970 110	Seal ring
7	9974 027	O-ring 30x2 (PTFE)
8	9971 401	O-ring 16x2 (PTFE)
9	0508 749	Bearing spring
10	0508 603	Bearing ring
11	0508 748	Filter insert 60 meshes
	0508 450	Optional: Filter insert 100 meshes
	0508 449	Filter insert 30 meshes
12	9994 245	Pressure spring



Spare parts diagram high-pressure filter

**11.4 SPARE PARTS LIST TROLLEY**

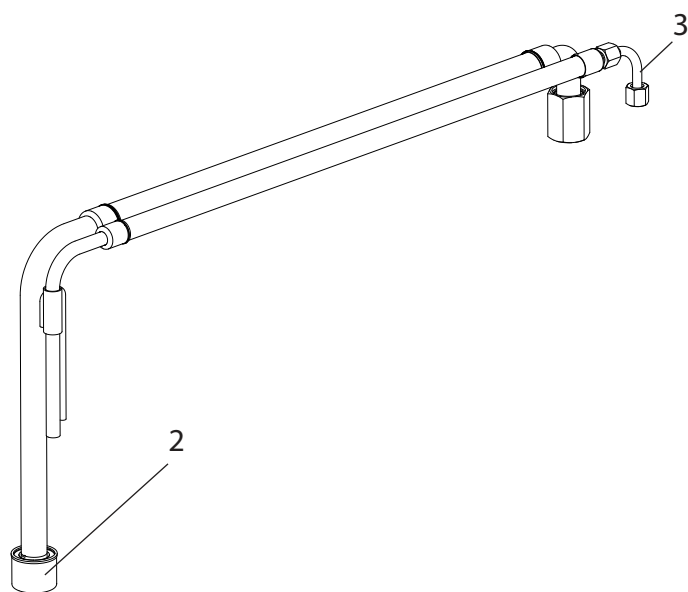
ITEM	ORDER NO.	DESIGNATION
1	2355 034	Trolley assy.
2	9910 208	Hexagon nut M8
3	9920 102	Washer A 8.4
4	9900 118	Hexagon screw M8x30
5	2340 954	Intermediate plate
6	2362 484	Absorber
7	9920 311	Washer A 6,4
8	9900 325	Hexagon screw M6x16



Spare parts diagram trolley SF 23 Select

## 11.5 SPARE PARTS LIST SUCTION SYSTEM

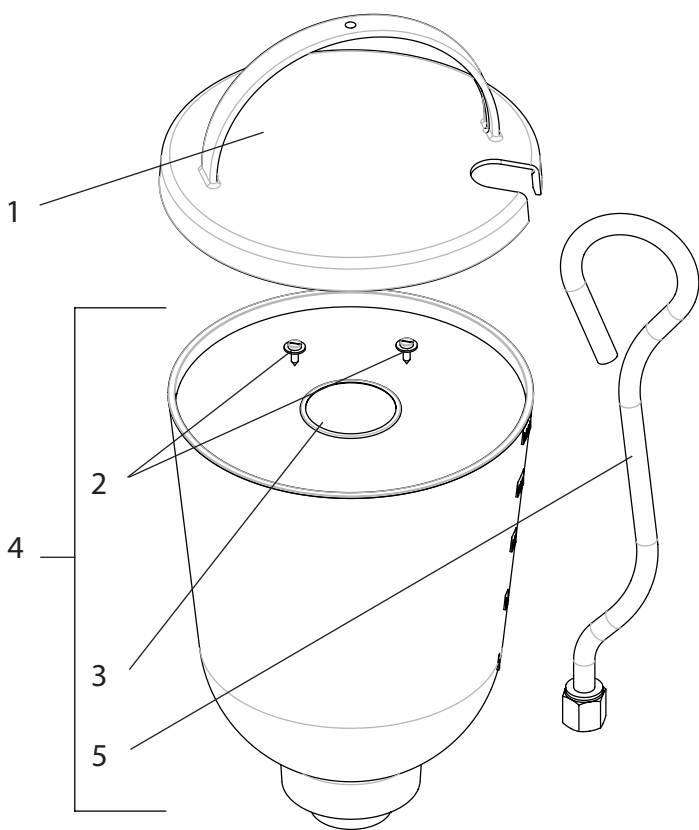
ITEM	ORDER NO.	DESIGNATION
1	2368 361	Suction system assy. (incl. pos. 2-3)
2	2323 325	Filter, mesh width 1 mm
3	0055 745	Elbow fitting (return tube)



Spare parts diagram suction system

**11.6 SPARE PARTS LIST HOPPER 5L**

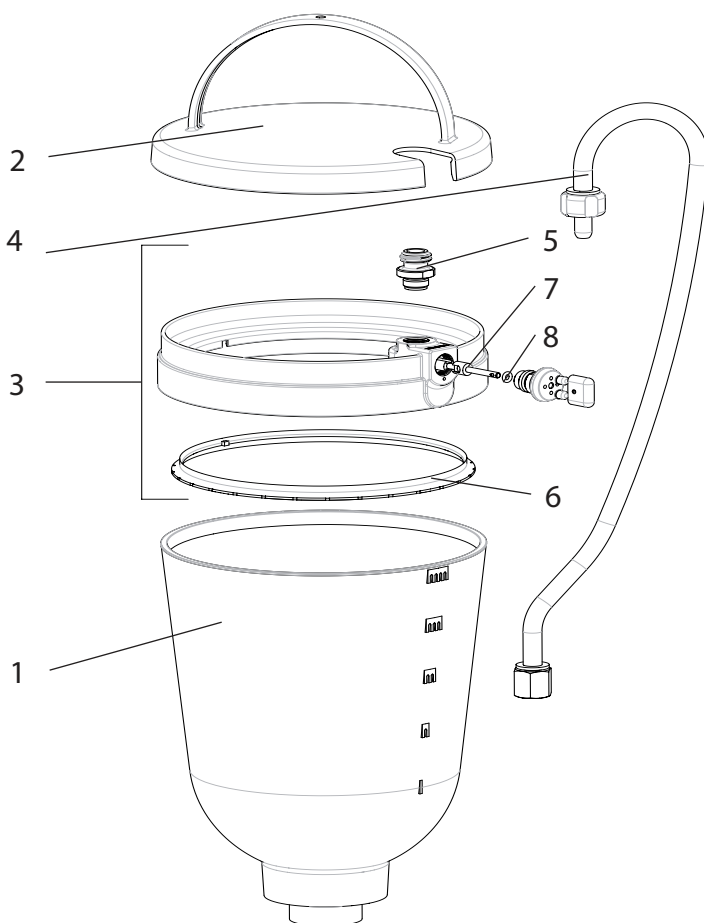
ITEM	ORDER-NO	DESIGNATION
-	0341 265	Hopper 5l, assy.
1	0340 901	Cover
2	0037 607	Filter disk, mesh width 0,8 mm
	0003 756	Optional: Filter disk, mesh width 0,4 mm
3	9902 306	Sheet metal screw 3,9x13 (2)
4	0340 904	Hopper
5	0340 908	Return pipe



Spare parts diagram hopper

**11.7 SPARE PARTS LIST HOPPER WITH TOPCLEAN**

ITEM	ORDER-NO	DESIGNATION
-	0341 268	Hopper 5l with TopClean, assy.
1	0340 904	Hopper 5l (filter disc see 11.7)
2	0340 901	Cover
3	0340 271	TopClean, assy.
4	0340 270	Return pipe
5	0340 499	Screwing
6	0340 466	Distributor ring
7	0340 500	Rotary valve shaft
8	9971 486	O-ring 4x2 (FFPM)



Spare parts diagram hopper with TopClean



## TESTING OF THE UNIT

For safety reasons, we would recommend having the device checked by an expert as required but at least every 12 months to ensure that it can continue to operate safely.

In the case of unused devices, the check can be postponed until they are next started up.

All (potentially deviating) national inspection and maintenance regulations must also be observed.

If you have any questions, please contact the customer service team at Wagner.

## IMPORTANT INFORMATION ON PRODUCT LIABILITY

According to an EU directive, the manufacturer is only liable without limitation for faults in the product if all parts come from the manufacturer or have been approved by the manufacturer and have been mounted to the device and are operated properly. If third-party accessories or spare parts are used, the manufacturer is exonerated wholly or partly from his/her liability if use of the third-party accessories or spare parts have caused a defect in the product. In extreme cases, the relevant authorities can completely prohibit using the entire device.

With original WAGNER accessories and spare parts, compliance with all safety regulations is guaranteed.

## NOTE ON DISPOSAL

In observance of the European Directive 2002/96/EC on waste electrical and electronic equipment and implementation in accordance with national law, this product is not to be disposed of together with household waste material but must be recycled in an environmentally friendly way!



Wagner or one of our dealers will take back your used Wagner waste electrical or electronic equipment and will dispose of it for you in an environmentally friendly way. Please ask your local Wagner service centre or dealer for details or contact us direct.

## GUARANTEE DECLARATION

(Status 01.02.2009)

### 1. Scope of guarantee

All Wagner professional colour application devices (hereafter referred to as products) are carefully inspected, tested and are subject to strict checks under Wagner quality assurance. Wagner exclusively issues extended guarantees to commercial or professional users (hereafter referred to as "customer") who have purchased the product in an authorised specialist shop, and which relate to the products listed for that customer on the Internet under [www.wagner-group.com/profi-guarantee](http://www.wagner-group.com/profi-guarantee).

The buyer's claim for liability for defects from the purchase agreement with the seller as well as statutory rights are not impaired by this guarantee.

We provide a guarantee in that we decide whether to replace or repair the product or individual parts, or take the device back and reimburse the purchase price. The costs for materials and working hours are our responsibility. Replaced products or parts become our property.

### 2. Guarantee period and registration

The guarantee period amounts to 36 months. For industrial use or equal wear, such as shift operations in particular, or in the event of rentals it amounts to 12 months.

Systems driven by petrol or air are also guaranteed for a 12 month period.

The guarantee period begins with the day of delivery by the authorised specialist shop. The date on the original purchase document is authoritative.

For all products bought in authorised specialist shops from 01.02.2009 the guarantee period is extended to 24 months providing the buyer of these devices registers in accordance with the following conditions within 4 weeks of the day of delivery by the authorised specialist shop.

Registration can be completed on the Internet under [www.wagner-group.com/profi-guarantee](http://www.wagner-group.com/profi-guarantee).

The guarantee certificate is valid as confirmation, as is the original purchase document that carries the date of the purchase. Registration is only possible if the buyer is in agreement with having the data being stored that is entered during registration.

When services are carried out under guarantee the guarantee period for the product is neither extended nor renewed.

Once the guarantee period has expired, claims made against the guarantee or from the guarantee can no longer be enforced.

### 3. Handling

If defects can be seen in the materials, processing or performance of the device during the guarantee period, guarantee

claims must be made immediately, or at the latest within a period of 2 weeks.

The authorised specialist shop that delivered the device is entitled to accept guarantee claims. Guarantee claims may also be made to the service centres named in our operating instructions. The product has to be sent without charge or presented together with the original purchase document that includes details of the purchase date and the name of the product. In order to claim for an extension to the guarantee, the guarantee certificate must be included.

The costs as well as the risk of loss or damage to the product in transit or by the centre that accepts the guarantee claims or who delivers the repaired product, are the responsibility of the customer.

#### 4. Exclusion of guarantee

Guarantee claims cannot be considered

- for parts that are subject to wear and tear due to use or other natural wear and tear, as well as defects in the product that are a result of natural wear and tear, or wear and tear due to use. This includes in particular cables, valves, packaging, jets, cylinders, pistons, means-carrying housing components, filters, pipes, seals, rotors, stators, etc. Damage due to wear and tear that is caused in particular by sanded coating materials, such as dispersions, plaster, putty, adhesives, glazes, quartz foundation.
- in the event of errors in devices that are due to non-compliance with the operating instructions, unsuitable or unprofessional use, incorrect assembly and/or commissioning by the buyer or by a third party, or utilisation other than is intended, abnormal ambient conditions, unsuitable coating materials, unsuitable operating conditions, operation with the incorrect mains voltage supply/frequency, over-operation or defective servicing or care and/or cleaning.
- for errors in the device that have been caused by using accessory parts, additional components or spare parts that are not original Wagner parts.
- for products to which modifications or additions have been carried out.
- for products where the serial number has been removed or is illegible
- for products to which attempts at repairs have been carried out by unauthorised persons.
- for products with slight deviations from the target properties, which are negligible with regard to the value and usability of the device.
- for products that have been partially or fully taken apart.

#### 5. Additional regulations.

The above guarantees apply exclusively to products that have been bought by authorised specialist shops in the EU, CIS, Australia and are used within the reference country.

If the check shows that the case is not a guarantee case, repairs are carried out at the expense of the buyer.

The above regulations manage the legal relationship to us conclusively. Additional claims, in particular for damages and losses of any type, which occur as a result of the product or its use, are excluded from the product liability act except with regard to the area of application.

Claims for liability for defects to the specialist trader remain unaffected.

German law applies to this guarantee. The contractual language is German. In the event that the meaning of the German and a foreign text of this guarantee deviate from one another, the meaning of the German text has priority.

J. Wagner GmbH  
 Division Professional Finishing  
 Otto Lilienthal Strasse 18  
 88677 Markdorf  
 Federal Republic of Germany

Subject to modifications



J. Wagner GmbH Otto-Lilienthal-Str.18 88677 Markdorf Germany



**CE** Konformitätserklärung  
Hiermit erklären wir, daß die Bauart vom  
Airless Hochdruck-Spritzgerät



**CE** Declaration of conformity  
Herewith we declare that the supplied  
version of  
Airless high-pressure spraying unit



**CE** Déclaration de conformité  
Par la présente, nous déclarons, que le  
type de  
Groupe de projection à haute pression



**CE** Dichiarazione di conformità  
Si dichiara che il modello  
Impianto per la verniciatura a spruzzo ad  
alta pressione Airless

## Wagner Super Finish

**SF-23 Plus 1~230V/50Hz; SF-23 Plus 1~110V/50Hz; SF-23i 1~230V/50Hz; SF-23 Select 1~230V/50Hz**

folgenden einschlägigen Bestimmungen  
entspricht:

complies with the following provisions  
applying to it:

correspond aux dispositions pertinentes  
suivantes:

é conforme alle segenti disposizioni  
pertinenti:

**2006/42/EG, 2014/30/EU**

**2006/42/EC, 2014/30/EU**

**2006/42/CE, 2014/30/UE**

**2006/42/CE, 2014/30/UE**

Angewendete harmonisierte Normen,  
insbesondere:

Applied harmonized standards, in  
particular:

Normes harmonisées utilisées, notamment:

Norme armonizzate applicate, in  
particolare:

**EN ISO 12100:2010; EN 1953:2013; EN 60204-1:2006+A1:2009;**

**EN 61000-3-2:2014 ; EN 61000-3-3:2014; EN 61000-6-1:2007; EN 61000-6-3:2007+A1:2011**

Markdorf, 23.03.2016  
Location, Date

Senior Vice President  
Global Product Strategy & Planning  
Mr. Th. Jeltsch

Vice President Engineering  
Mr. J. Ulbrich  
Dokumentationsverantwortlicher  
Responsible person for documents  
Personne responsable de la documentation  
Responsabile della documentazione



J. Wagner GmbH Otto-Lilienthal-Str.18 88677 Markdorf Germany



hiermede verklaren wij, dat de in de handel gebrachte machine Airless – hogedruk-spuitapparaat



Hermed erklæres, at produkttypen Airless – højtrykssprøjteapparat



Härmed intygar vi att Airless – högttryckspruta



por la presente, declaramos que la Airless equipo de pulverización de alta presión



Com a presente, declaramos que o Aparelho de pulverização de alta pressão Airless

### Wagner Super Finish

**SF-23 Plus 1~230V/50Hz; SF-23 Plus 1~110V/50Hz; SF-23j 1~230V/50Hz; SF-23 Select 1~230V/50Hz**

voldoet aan de eisen van de in het vervolg genoemde bepalingen:

er i overensstemmelse med følgende bestemmelser:

är konstruerad enligt följande gällande bestämmelser:

está em conformidade com as disposições pertinentes, a saber:

**2006/42/EG, 2014/30/EU 2006/42/EF, 2014/30/EU 2006/42/EG, 2014/30/EU 2006/42/CE, 2014/30/UE 2006/42/CE, 2014/30/UE**

Gebruikte geharmoniseerde normen, in het bijzondere:

Harmoniserede standarder, der blev anvendt, i særdeleshed:

Tillämpade harmoniserade standarder, i synnerhet:

Normas armonizadas utilizadas, particularmente:

Normas harmonizadas utilizadas, em particular:

**EN ISO 12100:2010; EN 1953:2013; EN 60204-1:2006+A1:2009;**

**EN 61000-3-2:2014 ; EN 61000-3-3:2014; EN 61000-6-1:2007; EN 61000-6-3:2007+A1:2011**

Markdorf, 23.03.2016  
Location, Date

Senior Vice President  
Global Product Strategy & Planning  
Mr. Th. Jeltsch

Vice President Engineering  
Mr. J. Ulbrich  
Persoon die verantwoordelijk is voor documentatie  
Der er ansvarlig for dokumentationen  
Person som ansvarar för dokumentation  
Responsable de documentación  
Responsável pela documentação



**EUROPA-SERVICENETZ / EUROPEAN SERVICE NETWORK / RÉSEAU DE SERVICE APRÈS-VENTE EN EUROPE  
RETE DI ASSISTENZA EUROPEA / EUROPA – SERVICENETWERK**

- A** J. Wagner Ges.m.b.H.  
Ottogasse 2/20  
2333 Leopoldsdorf  
Österreich  
Tel. +43/ 2235 / 44 158  
Telefax +43/ 2235 / 44 163  
office@wagner-group.at
- B** WSB Finishing Equipment  
Veilinglaan 56-58  
1861 Meise-Wolvertem  
Belgium  
Tel. +32/2/269 46 75  
Telefax +32/2/269 78 45  
info@wagner-wsb.nl
- CH** Wagner International AG  
Industriestrasse 22  
9450 Altstätten  
Schweiz  
Tel. +41/71 / 7 57 22 11  
Telefax +41/71 / 7 57 22 22  
wagner@wagner-group.ch
- D** J. Wagner GmbH  
Otto-Lilienthal-Straße 18  
D-88677 Markdorf  
Postfach 11 20  
D-88669 Markdorf  
Deutschland  
Tel.: +49 / 75 44 / 505 -1664  
Fax: +49 / 75 44 / 505 -1155  
wagner@wagner-group.com  
www.wagner-group.com
- CZ** E-Coreco s.r.o.  
Na Roudné 102  
301 00 Plzeň  
Czechia  
Tel. +420 734 792 823  
Telefax 420 227 077 364  
info@aplikacebarev.cz
- DK** Wagner Spraytech  
Scandinavia A/S  
Helgeshøj Allé 28  
2630 Taastrup  
Denmark  
Tel. +45/43/ 27 18 18  
Telefax +45/43/ 43 05 28  
wagner@wagner-group.dk
- E** Makimport Herramientas, S.L.  
C/ Méjico nº 6  
Pol. El Descubrimiento  
28806 Alcalá de Henares (Madrid)  
Tel. 902 199 021/ 91 879 72 00  
Telefax 91 883 19 59  
ventas@grupo-k.es  
info@grupo-k.es
- F** Euromair Antony  
S.A.V. Ile-de-France  
12-14, av. F. Sommer  
92160 Antony  
Tel. 01.55.59.92.42  
Telefax +33 (0) 1 69 81 72 57  
conseil.paris@euromair.com
- F** Euromair Distribution  
Siège Social / S.A.V. Sud  
343, bd. F. Perrin  
13106 Rousset Cedex  
Tel. 04.42.29.08.96  
Telefax 04.42.53.44.36  
conseil@euromair.com
- GB** Wagner Spraytech (UK) Limited  
The Coach House  
2 Main Road  
Middleton Cheney OX17 2ND  
Great Britain  
UK-Helpline 01295 714200  
Fax 01295 710100  
enquiries@wagnerspraytech.co.uk
- I** Wagner colora Srl  
Via Italia 34  
20060 Gessate – MI  
Italia  
Tel. 02.959292.1  
Telefax 02.95780187  
info@wagnercolora.com
- NL** WSB Finishing Equipment BV  
De Heldinnenlaan 200,  
3543 MB Utrecht  
Netherlands  
Tel. +31/ 30/241 41 55  
Telefax +31/ 30/241 17 87  
info@wagner-wsb.nl
- S** Wagner Spraytech  
Scandinavia A/S  
Helgeshøj Allé 28  
2630 Taastrup  
Denmark  
Tel. +45/43/ 21 18 18  
Telefax +45/43/ 43 05 28  
wagner@wagner-group.dk