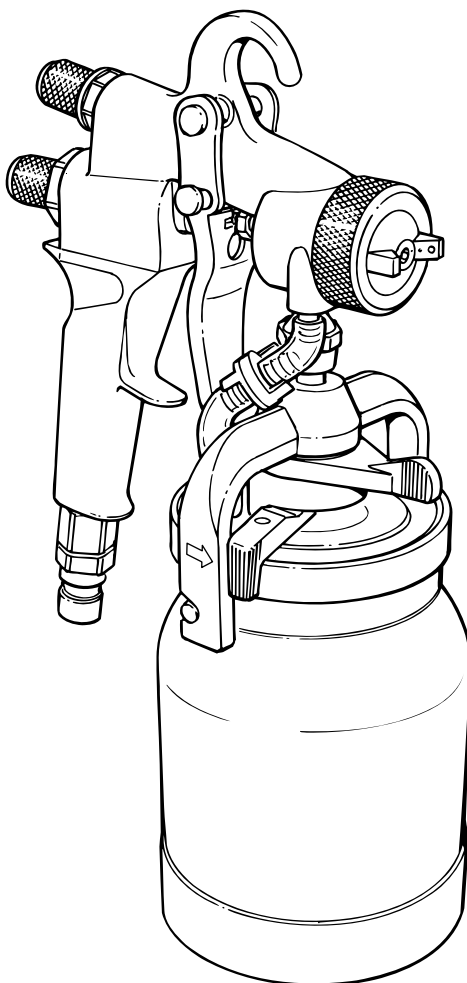


# **Maxum II HVLP Spray Guns**

**Owner's Manual · Notice d'utilisation · Manual del Propietario**



**Model Numbers:**

**0277034**

**0277057**

**0277055**

**0277076**

**0277075**

**0277088**

**0508062**

**CAPSpray**

1770 Fernbrook Lane  
Minneapolis, MN 55447

Technical Assistance: 1-800-292-4637

Order Entry: 1-800-443-4500

Fax: 1-800-525-9501

[www.spraytechinc.com](http://www.spraytechinc.com)

**CAPspray**  
THE FINISHING TOOL™

0901 © 2001 SprayTECH. All rights reserved. Form No. 0277610F

Español   Français   English

# Table of Contents

Safety	2
Service	3
Introduction	3
Using an HVLP Spray Gun	3-5
Preparing to Spray	3
Selecting a Spray Pattern	3
Spray Pattern Size	4
Adjusting the Material and Air Flow	4
Spraying	4
Adjusting the Swivel Tube	4
Cleaning your Spray Gun	5
Maintenance	5-7
Adjusting the Packing Nut	5
Replacing the Needle Packing and Air Valve Seals	5
Replacing the Check Valve, Valve Seal, and Air Tubes	6
Replacing the Cup Gasket	7
Converting to a Single Pin Trigger	7
Using a Pressure Feed System	7-8
Converting the Gun to Pressure Feed	7
Connecting to a Pressure Pot or Two Quart System	8
Using the Top Feed Gun	8
Converting the Gun to a Regulator Gun	8
Converting the Gun from Non-Bleeder to Bleeder	8
Choosing a Projector Set	9
Changing a Projector Set	9
Optional Accessories	9
Material reduction/projector set chart	10
Troubleshooting	11
Turbine Cup Gun Parts List	32-33
Turbine Pressure Feed Gun Parts List	34-35
Turbine Top Feed Gun Parts List	36-37
Regulator Cup Gun Parts List	38-39
Regulator Top Feed Gun Parts List	40-41
Compressor Pressure Feed Gun Parts List	42-43
Français	12
Español	22
Warranty	44

## Safety

This manual contains information that must be read and understood before using the equipment. When you come to an area that has one of the following symbols, pay particular attention and make certain to heed the safeguard.



This symbol indicates a potential hazard that may cause serious injury or loss of life. Important safety information will follow.



This symbol indicates a potential hazard to you or to the equipment. Important information that tells how to prevent damage to the equipment or how to avoid causes of minor injuries will follow.

**NOTE: Notes give important information that should be given special attention.**



**HAZARD: EXPLOSION HAZARD DUE TO INCOMPATIBLE MATERIALS - Will cause severe injury or property damage.**

### PREVENTION:

- Do not use materials containing bleach or chlorine.
- Do not use halogenated hydrocarbon solvents such as mildewcide, methylene chloride and 1,1,1 - trichloroethane. They are not compatible with aluminum.
- Contact your coating supplier about the compatibility of material with aluminum.

**HAZARD: GENERAL — May cause property damage or severe injury.**

### PREVENTION:

- Read all instructions and safety precautions before operating any equipment.
- Follow all appropriate local, state, and national codes governing ventilation, fire prevention, and operation.
- The United States Government Safety Standards have been adopted under the Occupational Safety and Health Act (OSHA). These standards, particularly Part 1910 of the General Standards and Part 1926 of the Construction Standard should be consulted.
- Use only manufacturer authorized parts. User assumes all risks and liabilities when using parts that do not meet the minimum specifications and safety devices of the manufacturer.
- Before each use, check all hoses for cuts, leaks, abrasion or bulging of cover. Check for damage or movement of couplings. Immediately replace the hose if any of these conditions exist. Never repair a hose. Replace it with an identical replacement hose.
- Do not spray outdoors on windy days.
- Wear clothing to keep paint off skin and hair.
- Never aim the spray gun at any part of the body.

**HAZARD: HAZARDOUS VAPORS - Paints, solvents, insecticides, and other materials can be harmful if inhaled or come in contact with the body. Vapors can cause severe nausea, fainting, or poisoning.**

### PREVENTION:

- Use a respirator or mask if vapors can be inhaled. Read all instructions supplied with the mask to be sure it will provide the necessary protection.
- Wear protective eyewear.
- Wear protective clothing as required by coating manufacturer.

**HAZARD: EXPLOSION OR FIRE - Solvent and paint fumes can explode or ignite. Severe injury and/or property damage can occur.**

### PREVENTION:

- Provide extensive exhaust and fresh air introduction to keep the air within the spray area free from accumulation of flammable vapors.
- Avoid all ignition sources such as static electric sparks, open flames, pilot lights, and hot objects. Connecting or disconnecting power cords or working light switches can make sparks.
- Do not smoke in spray area.
- Fire extinguisher must be present and in good working order.
- The power cord must be connected to a grounded circuit.
- Follow the material and solvent manufacturer's safety precautions and warnings.
- Use extreme caution when using materials with a flashpoint below 70° F (21° C). Flashpoint is the temperature that a fluid can produce enough vapors to ignite.
- Plastic can cause static sparks. Never hang plastic to enclose a spray area. Do not use plastic drop cloths when spraying flammable materials.

**HAZARD: SKIN BURN INJURY— Heated parts can cause severe skin burn injury.**

### PREVENTION:

- Quick disconnect fittings on the hose and spray gun become hot during use. Avoid skin contact with quick disconnect fittings when they are hot. Allow quick disconnect fittings to cool before disconnecting the spray gun from the hose.

## Service

Should your HVLP spray gun need service during the warranty period, return the unit and the proof of purchase to the distributor where it was purchased. At our option, the unit will be repaired or replaced. In a continued commitment to improve quality, we reserve the right to make component or design changes when necessary.

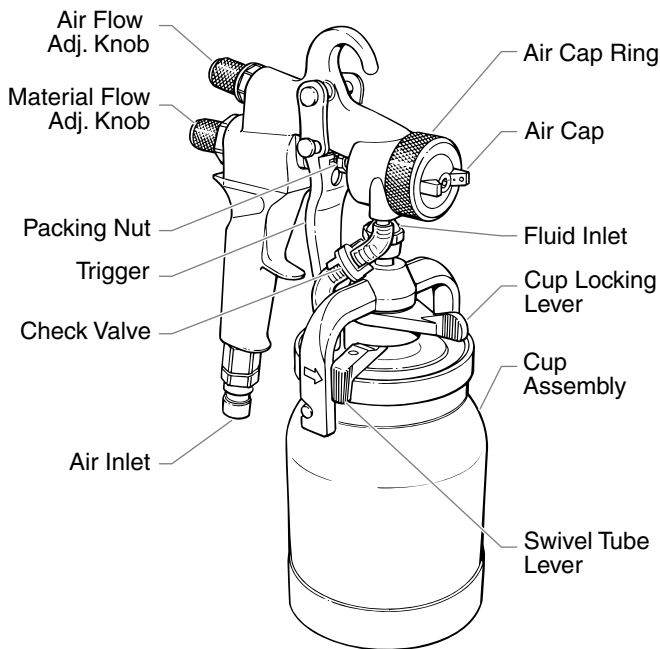
## Introduction

These spray guns are designed for use in a High Volume/Low Pressure (HVLP) painting system.

With an HVLP system, the highest quality professional finish can be achieved with little preparation or setup time. HVLP systems are not intended to replace airless systems. Instead, they are meant to compliment airless by improving the final finish on the substrate, minimizing waste, and reducing labor time. In addition to enhancing profitability, HVLP systems are compliant with the most stringent transfer efficiency requirements.

The HVLP spray guns described in this manual include the turbine cup gun, the turbine regulator gun, the turbine top feed gun, the regulator cup gun, and the regulator top feed gun. Please review all the information contained in this manual before operating an HVLP system.

**NOTE: The general operation and maintenance of each style of HVLP spray gun are the same. For illustration purposes, the turbine cup gun is pictured. However, any information specific to a style of gun is described where necessary. A parts listing for each style of gun is included near the back of this manual.**



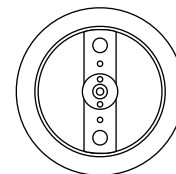
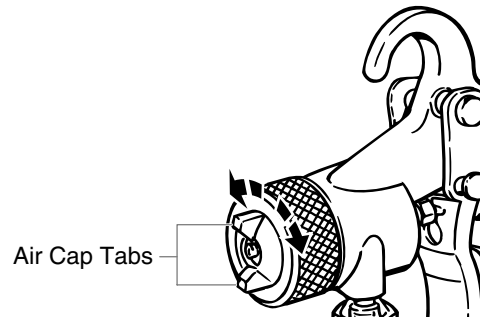
## Using an HVLP Spray Gun

### Preparing to Spray

1. Release the cup locking lever and remove the cup.
2. Fill the cup with the desired painting material. Make sure that the cup gasket is clean and in position.
3. Place the cup on the spray gun and tighten the cup locking lever.
4. Attach the air supply hose to the air inlet fitting at the bottom of the gun handle.
5. Turn on the air supply.

### Selecting a Spray Pattern

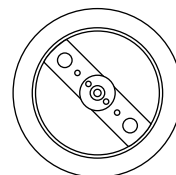
The spray pattern is adjusted by turning the air cap into either a vertical, horizontal, or diagonal position. To turn the air cap, grasp the two front tabs and twist. Never trigger the gun while adjusting the spray pattern.



Vertical  
Tip Position



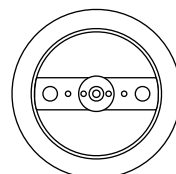
Horizontal  
Pattern



Diagonal  
Tip Position



Round  
Pattern



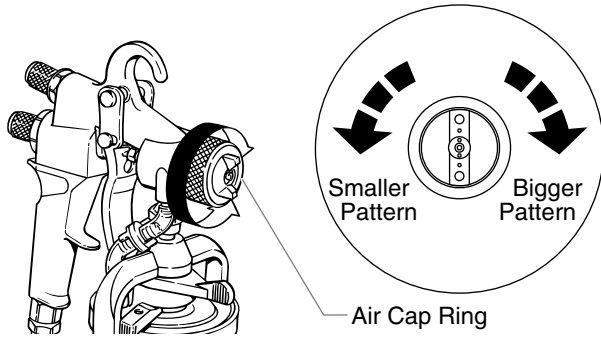
Horizontal  
Tip Position



Vertical  
Pattern

## Spray Pattern Size

To change the spray pattern size without changing the spray pattern shape, turn the air cap ring.

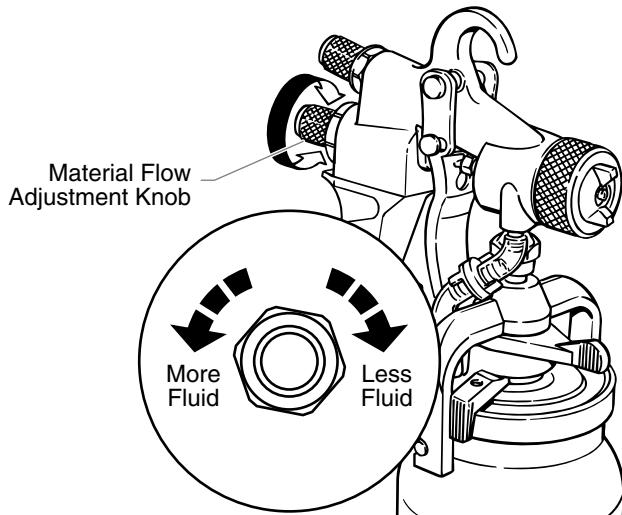


Turning the ring clockwise will make the pattern bigger. Turning the ring counterclockwise will make the pattern smaller. As you reduce the spray pattern size, you will need to move closer to the surface.

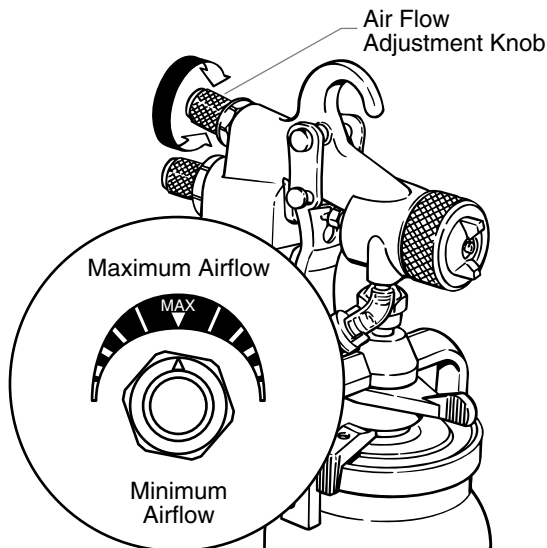
## Adjusting the Material and Air Flow

Each individual job and material may require slight adjustments in the material flow and air flow.

Turn the material flow adjustment knob clockwise for less fluid and counterclockwise for more fluid.



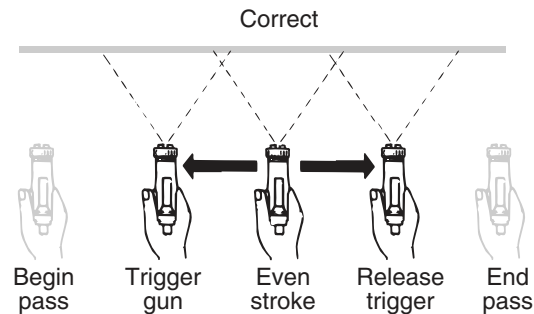
Turn the air flow adjustment knob to adjust for more or less air. Set the mark on the knob straight up for maximum airflow. Remember to test the spray on a piece of scrap wood or cardboard before using.



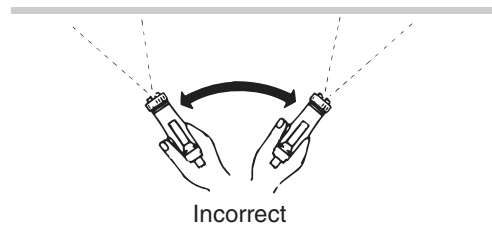
## Spraying

Hold the spray gun between 1 and 8 inches from the spraying surface, depending on the size of the spray pattern that you need. The closer to the surface you hold the gun, the smaller the spray pattern.

Keep the gun at right angles to the spraying surface in order to apply an even coat of material. If you keep the spray gun moving at a smooth and constant speed, the spray material is less likely to run or sag.



Always squeeze the trigger of the spray gun after you begin your spray pass and release it before the pass is done. For best results, make the spray passes about 20 inches long and overlap each pass by 4 or 5 inches. Remember to keep the gun at right angles to the spraying surface.

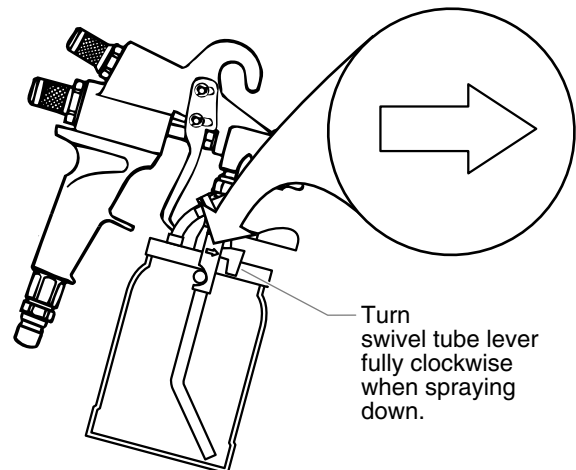


## Adjusting the Swivel Tube

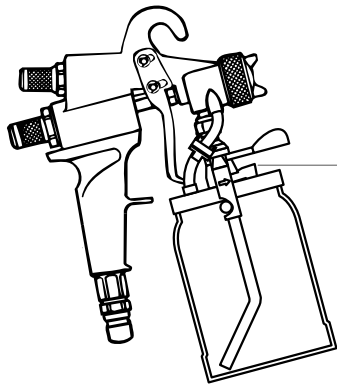
The adjustable swivel tube on your spray gun lets you get the most out of the material in your cup no matter at what angle you need to spray.

If you are holding your spray gun angled down, turn the swivel tube lever fully clockwise.

**NOTE:** An arrow on each side of the bridge indicates the direction that the swivel tube is pointing when the swivel tube lever is in its fully clockwise or fully counterclockwise position.

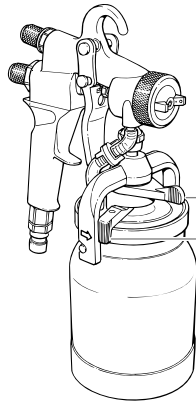


If you are holding the spray gun angled up, turn the swivel tube lever fully counterclockwise.



Turn swivel tube lever fully counterclockwise when spraying up. The arrow on the counterclockwise side of the bridge corresponds with the position of the swivel tube.

**NOTE: The swivel tube lever is directly below the cup locking lever. The cup locking lever secures the cup to the spray gun.**



Cup Locking Lever  
Swivel Tube Lever

## Cleaning your Spray Gun

It is very important to clean your HVLP spray gun thoroughly after each use.

1. Empty the spray material from the cup.
2. Pour a small amount of the appropriate solvent in the cup and attach the cup to the spray gun.
3. Shake and spray the gun in a well ventilated area.

**NOTE: Do not restrict the nozzle when cleaning. Back flushing of the system is not necessary.**

4. Repeat the steps above until the solvent appears clear.
5. Wipe the exterior of the cup and the spray gun with the appropriate solvent until it is clean.
6. Remove the needle, fluid nozzle, and air cap and clean them thoroughly. Make sure that the air holes and material passages are completely clean. Never use metal tools or picks to clean the air cap or nozzle.

### CAUTION

**Any attempt to remove the fluid inlet fitting will result in damage to the gun body and void the warranty.**

**NOTE: Remove the needle packing only when replacing with a new needle packing. Do not remove the needle packing for cleaning.**

7. Disassemble, clean, and dry the check valve and air tubes after each use.

### CAUTION

**DO NOT clean the air tubes with hot solvents such as lacquer thinner. Hot solvents will damage the air tubes.**

**NOTE: Lubricate all of the threaded parts on the spray gun with petroleum jelly when you put them back together. This will help keep them working properly.**

### CAUTION

**Do not use any lubricants containing silicone. Silicone can cause problems when used with some paints.**

## Maintenance

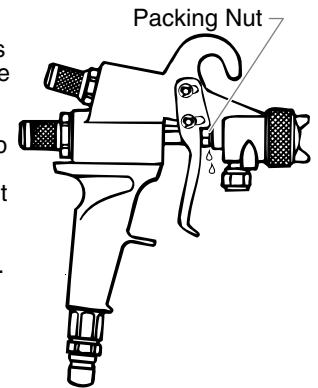
Perform the following maintenance procedures to keep your HVLP spray gun working properly.

### Adjusting the Packing Nut

If material leaks from around or through the packing nut, readjust the packing nut.

1. Disconnect the air hose from the air inlet and remove the cup assembly.
2. Pull the trigger all the way back and hold.
3. Tighten the packing nut using a 3/8 inch wrench until the needle remains retracted inside the nozzle when you release the trigger.
4. Loosen the packing nut slowly until the needle moves freely back into position in the nozzle.

Once you have adjusted the nut, reconnect the air hose and the cup assembly. Squeeze the trigger to see if the leaking has stopped. If it has not, make sure the packing nut is as tight as possible, while allowing the needle to move freely. If adjusting the packing nut does not stop the leak, replace the packing.



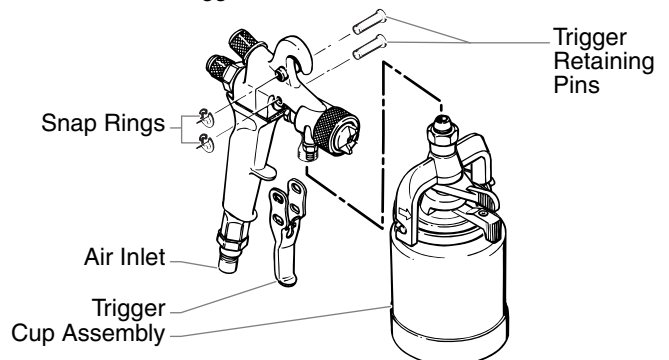
## Replacing the Needle Packing and Air Valve Seals

**NOTE: Remove the needle packing only when replacing with a new needle packing. Do not remove the needle packing for cleaning.**

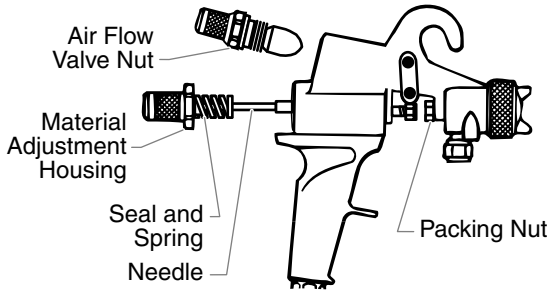
**The needle packing and the air valve seals can be replaced separately. If you are replacing only one of them, use the appropriate steps from the following procedures.**

### Removing the Needle and Housing

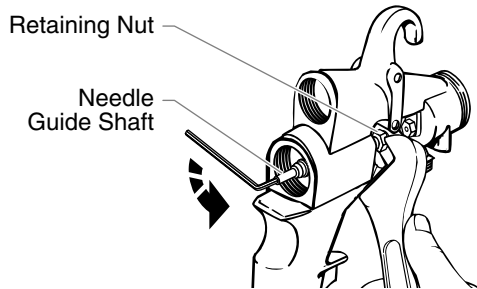
1. Disconnect the air hose from the air inlet.
2. Remove the material hose or cup assembly.
3. Remove the snap rings from the trigger retaining pins and slide the pins out of the gun.
4. Remove the trigger.



- Loosen the packing nut using a 3/8 inch wrench.
- Loosen the air flow valve nut and remove the air flow adjustment knob and the air flow valve nut to allow access to the material flow adjustment housing.
- Loosen and remove the material flow adjustment housing, needle, seal, and spring using a wrench.



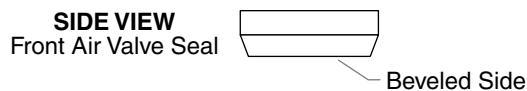
- Insert an 1/8 inch hex wrench into the back of the needle guide shaft.
- Hold the retaining nut with a wrench and turn the 1/8 inch hex wrench counterclockwise to remove the retaining nut.
- Pull the needle guide shaft out of the gun body.



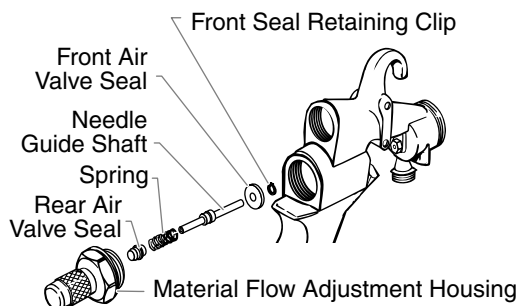
### Replacing the Air Valve Seals

- Remove the old rear air valve seal. It may stay on the end of the needle guide shaft spring or in the material flow adjustment housing.
- Slide the new rear seal into the material adjustment housing.
- Remove the front seal retaining clip using a snap-ring pliers.
- Slide the old front air valve seal off of the needle guide shaft.
- Place the new front air valve seal on the needle guide shaft with the beveled side facing the gun.

**NOTE: Make sure that the new front air valve seal looks like the one that was just removed.**

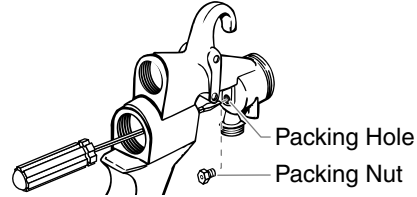


- Snap the front seal retaining clip onto the needle guide shaft.



### Removing the Packing

- Remove the packing nut using a 3/8 inch wrench.
- Insert a long, narrow-bladed flathead screwdriver through the back of the gun and into the packing hole.
- Press the screwdriver firmly into the packing and turn counterclockwise. This should back the old packing out of the threaded hole. If it does not, push the screwdriver more firmly into the packing and try again. If this still does not remove the packing, use a pick tool to pull the packing out.



**NOTE: Make sure all of the old packing is removed before installing the new packing.**

### Installing the New Packing and Reassembling the Gun

- Place the new packing into the packing hole.
- Thread the packing nut one turn into the packing hole. Do not tighten.
- Push the needle guide shaft through the back of the gun body and thread on the retaining nut.
- Grasp the material flow adjustment housing with the needle attached. Slide the needle with the spring and the rear air valve seal through the needle guide shaft and into the packing nut. Tighten the material flow adjustment housing securely using a wrench.
- Tighten the packing nut securely using a 3/8 inch wrench, then loosen the packing nut a quarter turn.
- Thread the air flow valve nut and air flow adjustment knob into the gun body and tighten into position.
- Assemble the trigger by inserting the retaining pin or pins and attaching the snap rings.
- Pull the trigger to make certain the needle moves freely. If the needle sticks, loosen the packing nut. If the packing leaks, tighten the packing nut.

### Replacing the Check Valve, Valve Seal, and Air Tubes

The check valve is a one-way valve designed to allow air into the cup, pressurizing the cup's contents. Because it is a one-way valve, it prevents paint from seeping up the air tube into the air passages of the gun. It also eliminates any delay in material flow when the gun is triggered by maintaining pressure in the cup.

The check valve rotates open easily for cleaning. It contains a valve seal that can be removed and cleaned with soap and water for waterborne materials or a compatible solvent for other materials. To replace the check valve, the valve seal, and/or the air tubes:

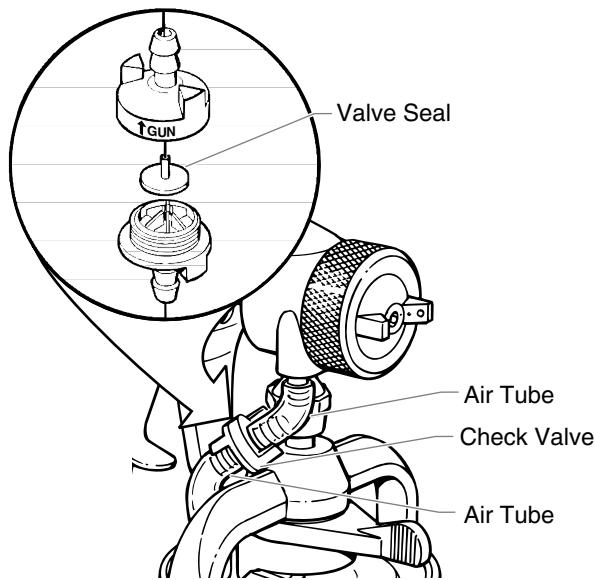
- Pull the lower air tube from the bottom of the check valve.
- Pull the check valve from the upper air tube.
- Unscrew the two halves of the check valve.
- Remove the worn valve seal.
- Clean the check valve body with a solvent appropriate to the type of material being used.

**NOTE: Thoroughly clean the inside of the top half of the check valve but do not scratch it.**

- Insert a new valve seal, stem up, into the top of the check valve as shown.
- Tighten the two halves of the check valve together.

8. Insert the top of the check valve into the upper air tube.

**NOTE: Insert the check valve into the air tube so that the arrow on the valve points toward the gun.**



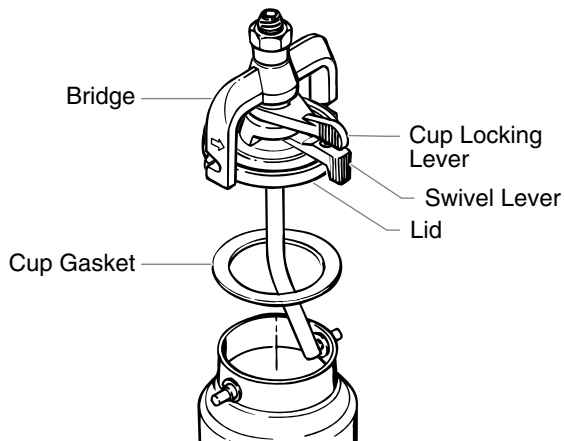
9. If the lower air tube is too long, trim the tube so that it fits the gun.
10. Push the lower air tube onto the bottom of the check valve.

**NOTE: Make sure to attach the shorter air tube to the gun fitting and the longer air tube to the cup lid air nipple.**

## Replacing the Cup Gasket

The cup gasket must be replaced periodically due to normal wear. It is important to inspect the cup gasket during each cleaning.

1. Release the cup locking lever.
2. Hold the cup and twist the spray gun in the direction indicated by the arrows on the bridge.
3. Lift the spray gun away from the cup.
4. Pull the worn cup gasket out of the lid.
5. Press a new cup gasket into the lid.
6. Place the spray gun onto the top of the cup.

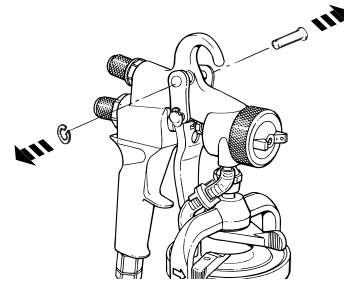


7. Turn the spray gun opposite the direction indicated by the arrows on the bridge until the pegs on the cup are in the notches of the bridge.
8. Tighten the cup locking lever.

## Converting to a Single Pin Trigger

The trigger on your HVLP spray gun can be converted to a single pin setup for a softer pull. Trigger pull is reduced by removing the upper trigger pin and operating the gun with only the lower trigger pin in place. This setup reduces finger fatigue and provides greater control when spraying thin, light viscosity materials such as stains, varnishes, and sealers.

1. Remove the retaining clip on the upper trigger pin by placing the flat edge of a screwdriver between the clip and the pin and gently prying it off.
2. Pull the trigger pin out from the opposite side of the gun.



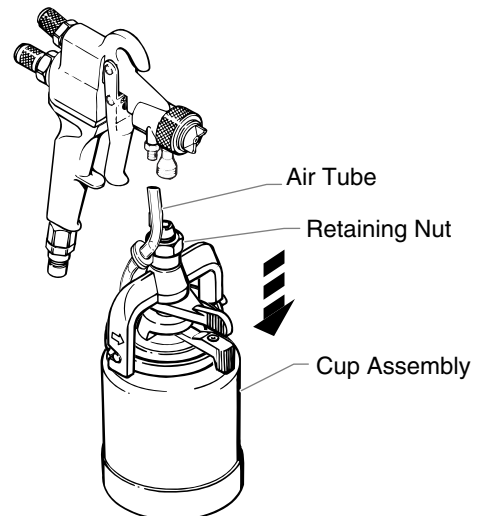
## Using a Pressure Feed System

To increase spray time between material refills, your HVLP spray gun can be connected to a larger material pressure pot and air compressor.

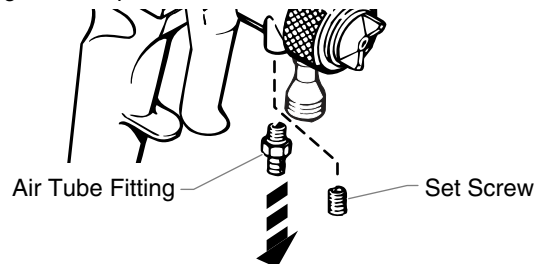
## Converting the Gun to Pressure Feed

Before using a pressure feed system, the spray gun must be converted to a pressure fed gun.

1. Loosen the retaining nut using a wrench and remove the one quart cup assembly.
2. Pull the air tube off of the air tube fitting on the spray gun.

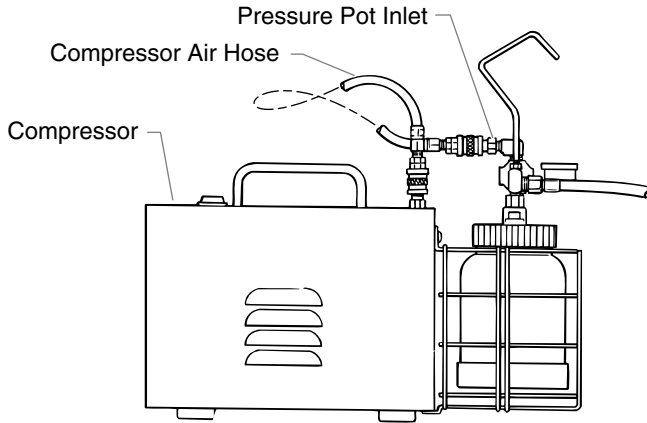


3. Remove the air tube fitting using a wrench.
4. Thread the set screw into the air tube fitting location and tighten into place.

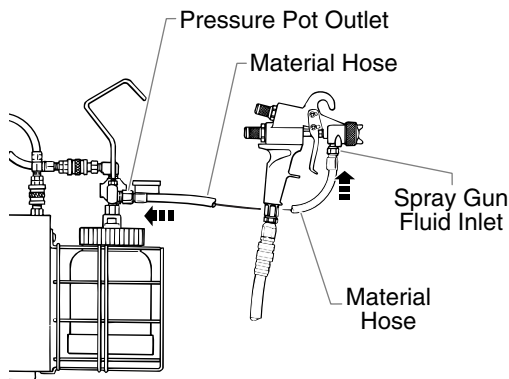


## Connecting to a Pressure Pot or Two Quart System

1. Connect the compressor air hose to the pressure pot inlet.



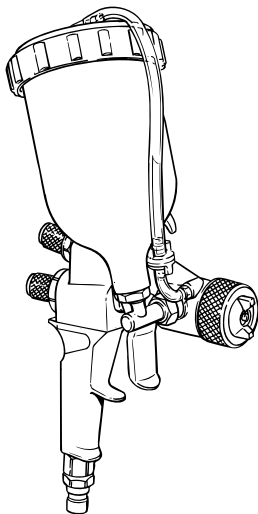
2. Thread one end of the material hose onto the pressure pot outlet and tighten.
3. Thread the other end of the material hose onto the spray gun fluid inlet and tighten.



## Using the Top Feed Gun

The top feed HVLP spray gun is designed for use in special applications such as spraying in confined areas. The position of the cup gives the top feed gun the ability to spray downward and overhead.

When spraying with the top feed gun, remember the following tips for the best results. Keep the cup level when spraying at an angle. The special fluid inlet fitting on the gun allows the cup to rotate to remain level when the gun is at an angle. Keep the cup pressurized at all times when spraying. Attempting to gravity feed the material will slow or stop the flow of material at the nozzle.

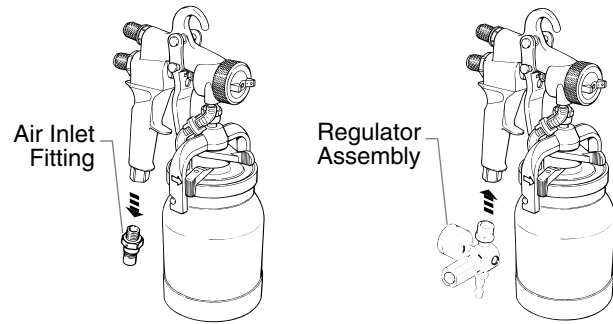


## Converting the Gun to a Regulator Gun

Your HVLP spray gun can be converted to connect directly to existing high pressure air systems with the addition of a regulator assembly.

1. Remove the air inlet fitting at the bottom of the gun handle using a wrench.

2. Thread the fitting on the regulator assembly into the air inlet at the bottom of the gun handle and tighten.



3. Attach the air hose from the existing high pressure air system to the regulator assembly.
4. Set the pressure gauge on the regulator assembly to the appropriate setting for the coating being sprayed.

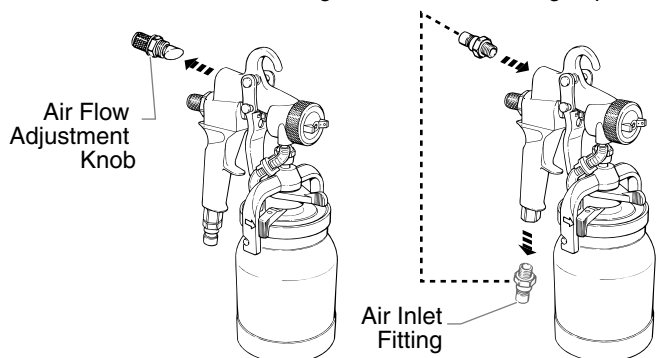
**NOTE: Standard air caps require an air flow of 15 – 25 SCFM. Low air flow air caps are available for the regulator gun to use with smaller air compressors. See “Optional Accessories” for the part numbers.**

## Converting the gun from Non-Bleeder to Bleeder

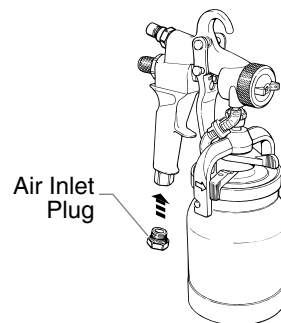
Your HVLP spray gun can be converted from a non-bleeder to a bleeder setup. Bleeder setup provides more atomizing power for higher viscosity materials, such as latex and enamels. Bleeder setup can make it easier to spray in confined spaces, such as inside cabinets, because the air hose is moved to the back of the gun.

To convert a spray gun to bleeder setup:

1. Remove the air flow adjustment knob from the rear of the gun using a wrench.
2. Remove the air inlet fitting from the bottom of the gun handle using a wrench.
3. Thread the air inlet fitting into the air flow adjustment knob location at the rear of the gun. Secure the fitting in place.



4. Thread the air inlet plug (shipped loose with the gun literature pack) into the air inlet at the bottom of the gun handle. Secure the plug in place.



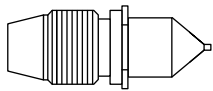
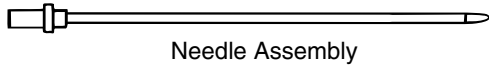


5. Attach the air hose to the relocated air inlet fitting.

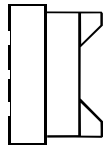
**NOTE: In bleeder setup, the removal of the air flow adjustment knob causes the air supply to be on at all times when the air hose is attached to the gun.**

## Choosing a Projector Set

Your HVLP spray gun should be fitted with the proper projector set for the type of work you will be performing. A projector set consists of a needle assembly, a fluid nozzle, and an air cap.



Fluid Nozzle

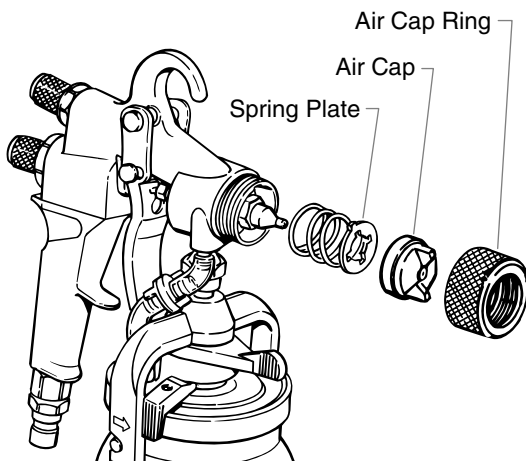


Air Cap

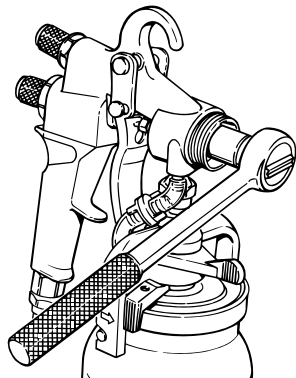
You should choose a projector set based on two things: the type of material to be sprayed and the finish desired. The chart on the following page should help you to make the right choice.

## Changing a Projector Set

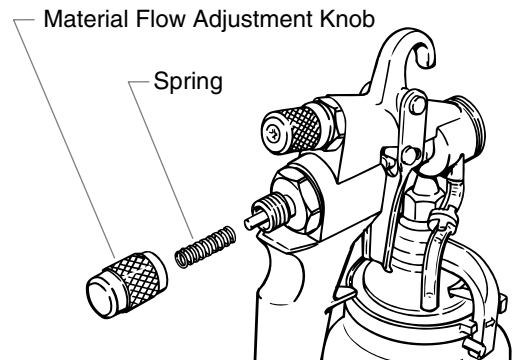
1. Remove the air cap ring, air cap, and spring plate.



2. Remove the fluid nozzle.



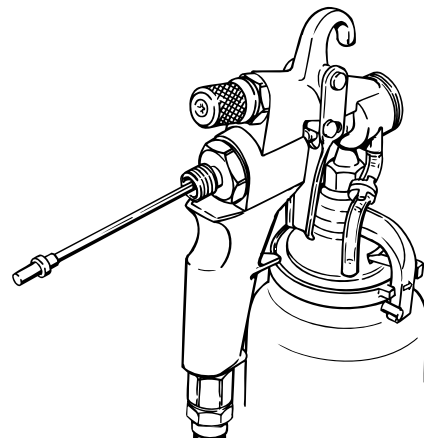
3. Remove the material flow adjustment knob and spring.



4. Remove the needle.

**CAUTION**

If the needle does not slide out easily, loosen the packing nut to prevent the needle or packing from being damaged.



5. Install the new projector set in reverse order.

## Optional Accessories

Part Number	Description
0276254	Projector set, #2 complete
0276227	Projector set, #3 complete
0276228	Projector set, #4 complete
0276229	Projector set, #5 complete
0276245	Projector set, #6 complete
0277090	Projector set, low air flow, #2A complete
0277091	Projector set, low air flow, #3A complete
0277092	Projector set, low air flow, #4A complete
0277093	Projector set, low air flow, #5A complete
0277094	Projector set, low air flow, #6A complete
0276449	Air cap, #2
0276452	Air cap, #3
0276455	Air cap, #4
0276458	Air cap, #5
0276417	Air cap, #6
0295641	Air cap, low air flow, #2A
0295642	Air cap, low air flow, #3A
0295643	Air cap, low air flow, #4A
0295644	Air cap, low air flow, #5A
0295645	Air cap, low air flow, #6A
0276446	Nozzle, #2
0276451	Nozzle, #3
0276454	Nozzle, #4
0276457	Nozzle, #5
0276418	Nozzle, #6
0276447	Needle assembly, #2
0276453	Needle assembly, #3
0276456	Needle assembly, #4
0276459	Needle assembly, #5
0276244	Needle assembly, #6
0508124	Cover, clip-on, 1 quart
0279968	External air flow shut-off valve
0275588	Paint strainer
0279942	Tip accessory kit
0279941	Deluxe tip accessory kit

**NOTE: The “low air flow” projector sets and air caps are suitable for low CFM compressors.**

## Repair Kits

Part Number	Description
0297051	Check valve repair kit (Includes 3 assemblies)
0276257	Check valve membrane kit (includes 10 membranes)
0297052	Gasket, cup, white (includes 6 gaskets)
0276258	Gasket, cup, Thiokol - black (includes 6 gaskets)
0277943	HVLP gun repair kit
	• front air valve seal
	• rear air valve seal
	• needle packing
	• air control valve o-ring (2)
	• check valve assembly
	• check valve tube, short
	• check valve tube, long
	• cup gasket

## Material Reduction/Projector Set Chart

Before spraying, the material being used must be thinned with an appropriate solvent and the proper projector set must be installed. It is always best to follow the material manufacturers recommendations and thinning procedures.

There are two simple methods of measuring the proper thickness of a material:

1. Dip a paint stick into the material and remove it, watching carefully as the material runs off. When the material begins to form drops, the drops should fall about 1 second apart.
2. Use a viscosity cup (P/N 0153165). Dip the cup into the material and remove it. Use a watch or clock to time how long the material drains from the cup in a continuous stream. Once the continuous stream breaks, stop timing and refer to the table below. Add the appropriate solvent and continue testing until the proper thickness is reached for the type of material you are using.

Material	% of reduction	Time	Solvent	Projector Set
Latex	.20-25%	.30-35 sec.	Water	.5
Oil	.10-20%	.20-30 sec.	Mineral Spirits	.4
Epoxy	.1-10%	.30-35 sec.	Mfg. Recommendations	.5
Clear wood finish	.Full strength		Mfg. Recommendations	.4
Varnish	.Mfg. Recommendations		Naphtha	.3
Polyurethane	.10%	.18-22 sec.	M.E.K.	.3
Sealer	.Full strength		Mineral spirits	.3
Oil-based primer	.15-20%	.30-35	Mineral spirits	.4
Fast-dry enamel	.25%	.20-25	Mineral spirits	.4
Stain	.Full strength		Mfg. Recommendations	.3
Metal primer	.15%	.25-30 sec.	Mineral spirits	.4
Industrial enamel	.15%	.30-35 sec.	Mineral spirits	.4
Aluminum paint	.Full strength		Mineral spirits	.4
Lacquer sealer	.Mfg. Recommendations	.18-22 sec.	Lacquer thinner	.3
Lacquer	.50%	.18-22 sec.	Lacquer thinner	.3

# Troubleshooting

## Problem

## Cause

## Solution

Little or no paint flow

1. Dried paint blocking fluid nozzle
2. No air pressure in paint cup or pot
  
3. Check valve in air tube plugged
4. No fluid pressure
5. Blockage in material hose

1. Disassemble and clean
2. Inspect air tube, cup or pot gasket, clean or replace.
3. Clean or replace the check valve assembly
4. Check material supply
5. Clean by flushing with solvent

Paint leaking

1. Improper size needle or nozzle
2. Damaged needle or nozzle
3. Loose nozzle
4. Loose packing nut
5. Needle not closing properly

1. Replace
2. Replace
3. Tighten
4. Tighten
5. a) Loosen packing nut  
b) Replace needle spring  
c) Remove dried paint from needle

Paint is backing up past the check valve

1. Gun is being tilted too much when it is not spraying
2. Check valve leaks

1. Tilt the gun only when spraying
2. Clean or replace the check valve

Poor spray pattern

1. Air holes in air cap ears are clogged
2. Nozzle is clogged
3. Damaged nozzle or needle

1. Remove and clean air holes
2. Clean with appropriate solvent
3. Remove and replace

Pulsating spray

1. Loose or damaged packing

1. Tighten or replace

Pattern is heavy in the middle

1. Too much fluid pressure

1. Reduce pressure

Gun spitting paint

1. Valve in air tube is not operating properly
2. Material too thick
3. Projector set is too small.

1. Replace valve assembly
2. Thin material
3. Install the proper projector set.

Paint build up on the air cap

1. Improper adjustment of cap

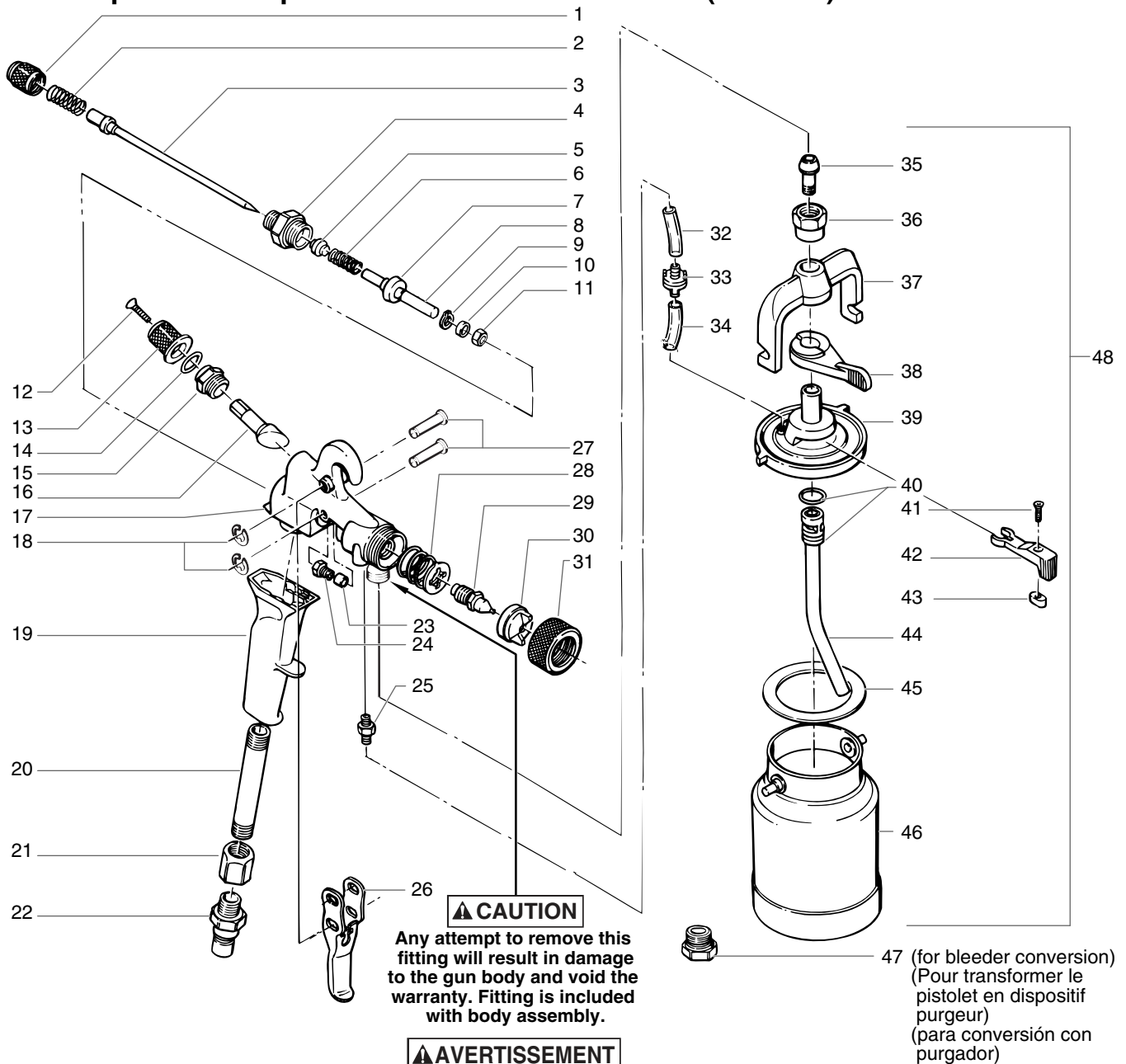
1. Adjust the air cap properly so that paint flows freely through the cap

Too much overspray

1. Air pressure too high
2. Material too thin
3. Spray gun too far from surface

1. Reduce air pressure
2. Add unthinned paint
3. Move closer

**Turbine Cup Gun Parts List / Liste de pièces pour pistolet à godet et turbine /  
Lista de partes de la pistola atomizadora de turbina (0277034)**



**⚠ CAUTION**  
Any attempt to remove this fitting will result in damage to the gun body and void the warranty. Fitting is included with body assembly.

**⚠ AVERTISSEMENT**  
Toute tentative de démontage de ce raccord endommage le corps de pistolet et annule la garantie. Le raccord est compris dans l'ensemble du corps.

**⚠ PRECAUCION**  
Cualquier intento de quitar este adaptador ocasionará que el cuerpo de la pistola se dañe y la garantía perderá su validez. El adaptador está incluido con el conjunto del cuerpo.

**NOTE:** The swivel lever screw (41) and the swivel lever (42) must be removed before the swivel tube (44) can be disassembled from the lid.

**NOTA:** la vis du levier orientable (41) et le levier orientable (42) doivent être démontés avant que le tube orientable (44) ne puisse être démonté du couvercle.

**NOTA:** El tornillo de la palanca giratoria (41) y la palanca giratoria (42) debe quitarse antes de poder desarmar el tubo giratorio (44) de la tapa.

## English

Item	Part Number	Description	Quantity	Item	Part Number	Description	Quantity
1	0277502	Material flow adjustment knob.....	1	25	0277505	Air tube fitting.....	1
2	0295575	Needle spring.....	1	26	0277468	Trigger.....	1
3	0276453	Needle assembly #3.....	1	27	0277514	Trigger pin.....	2
4	0277510	Material flow adjustment housing.....	1	28	0275250	Spring plate assembly.....	1
5	0275501	Rear air valve seal.....	1	29	0276451	Air nozzle #3.....	1
6	0275578	Air valve spring.....	1	30	0276452	Air cap #3.....	1
7	0277486	Air valve seal.....	1	31	0277507	Air cap ring.....	1
8	0277536	Threaded air valve.....	1	32	0277482	Air tube.....	1
9	0277489	Air valve snap ring.....	1	33	0276248	Check valve assembly.....	1
10	0277488	Front air valve seal (included in body assembly).....	1	34	0277483	Long check valve tube.....	1
11	9811119	Locking nut.....	1	35	0277509	Fitting.....	1
12	9805205	Screw.....	1	36	0277511	Nut.....	1
13	0277491	Air flow adjustment knob.....	1	37	0277451	Bridge.....	1
14	9894242	Wave spring washer.....	1	38	0277467	Cup locking lever.....	1
15	0277498	Air flow valve nut.....	1	39	0277460	Lid.....	1
16	0277493	Air flow valve.....	1	40	9871049	O-ring.....	2
17	0277185	Body assembly.....	1	41	9805206	Screw.....	1
18	0277515	Retaining clip.....	2	42	0277448	Swivel lever.....	1
19	0277470	Handle.....	1	43	0277449	Guide.....	1
20	0277481	Handle tube.....	1	44	0277178	Tube.....	1
21	0277480	Handle tube nut.....	1	45	0277495	Cup gasket.....	1
22	0277503	Quick disconnect fitting.....	1	46	0275573	Cup.....	1
23	0275579	Needle packing.....	1	47	0277504	Plug (shipped loose).....	1
24	0277508	Needle packing adjustment nut.....	1	48	0277183	Cup assembly (includes items #32-#46).....	1

## Français

Article	No de pièce	Description	Quantité	Article	No de pièce	Description	Quantité
1	0277502	Bouton de réglage de débit de produit.....	1	24	0277508	Écrou presse-garniture de pointeau.....	1
2	0295575	Ressort de pointeau.....	1	25	0277505	Raccord tube d'air.....	1
3	0276453	Pointeau no 3.....	1	26	0277468	Détente.....	1
4	0277510	Bouchon de réglage du débit de produit.....	1	27	0277514	Goupilles de détente.....	2
5	0275501	Joint arrière de soupape de régulation d'air.....	1	28	0275250	Coupelle de ressort.....	1
6	0275578	Ressort de soupape de régulation d'air.....	1	29	0276451	Buse d'air no 3.....	1
7	0277486	Joint de soupape de régulation d'air.....	1	30	0276452	Bouchon d'air no 3.....	1
8	0277536	Soupape de régulation d'air filetée.....	1	31	0277507	Bague de fixation du bouchon d'air.....	1
9	0277489	Circlips de soupape de régulation d'air.....	1	32	0277482	Tube d'air.....	1
10	0277488	Joint avant de soupape de régulation d'air (compris dans l'ensemble du corps).....	1	33	0276248	Ensemble clapet anti-retour.....	1
11	9811119	Écrou de retenue.....	1	34	0277483	Tube long de clapet anti-retour.....	1
12	9805205	Vis.....	1	35	0277509	Raccord.....	1
13	0277491	Bouton de réglage de débit d'air.....	1	36	0277511	Écrou.....	1
14	9894242	Rondelle ressort ondulée.....	1	37	0277451	Couronne.....	1
15	0277498	Écrou de soupape de régulation d'air.....	1	38	0277467	Levier de blocage du godet.....	1
16	0277493	Soupape de régulation d'air.....	1	39	0277460	Couvercle.....	1
17	0277185	Corps.....	1	40	9871049	Joint torique.....	2
18	0277515	Agrafes de retenue.....	2	41	9805206	Vis.....	1
19	0277470	Poignée.....	1	42	0277448	Levier d'orientation.....	1
20	0277481	Tube de poignée.....	1	43	0277449	Guide.....	1
21	0277480	Écrou de tube de poignée.....	1	44	0277178	Tube.....	1
22	0277503	Raccord rapide.....	1	45	0277495	Joint d'étanchéité du godet.....	1
23	0275579	Garniture de pointeau.....	1	46	0275573	Godet.....	1
				47	0277504	Obturbateur (pièce fournie non installée).....	1
				48	0277183	Ensemble godet (articles nos 32 à 46).....	1

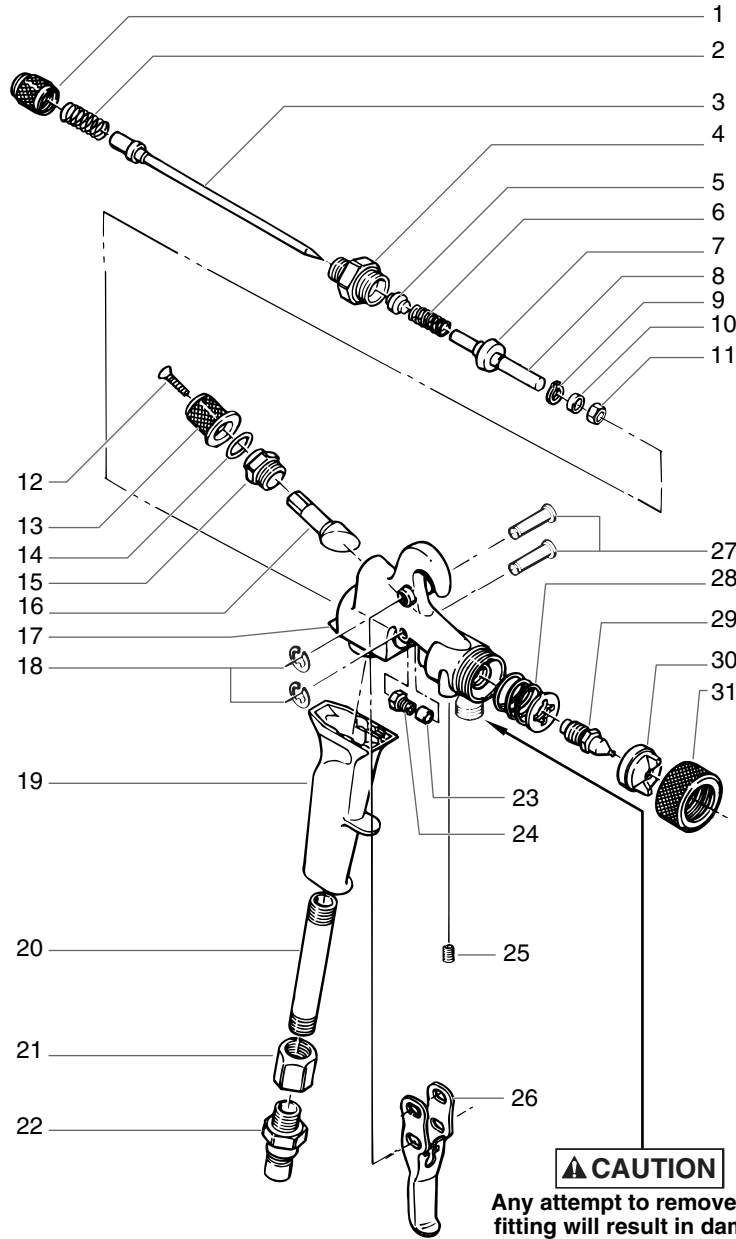
## Español

Artículo	No de pieza	Descripción	Cantidad	Artículo	No de pieza	Descripción	Cantidad
1	0277502	Perilla ajustadora del flujo de material.....	1	25	0277505	Adaptador del tubo de aire.....	1
2	0295575	Resorte de la aguja.....	1	26	0277468	Gatillo.....	1
3	0276453	Conjunto de aguja #3.....	1	27	0277514	Pasador del gatillo.....	2
4	0277510	Cubierta del ajuste de flujo de material.....	1	28	0275250	Placa de resorte.....	1
5	0275501	Sello posterior de la válvula de aire.....	1	29	0276451	Boquilla de aire #3.....	1
6	0275578	Resorte de la válvula de aire.....	1	30	0276452	Obturbador del aire #3.....	1
7	0277486	Sello de la válvula de aire.....	1	31	0277507	Anillo del obturbador del aire.....	1
8	0277536	Válvula de aire roscada.....	1	32	0277482	Tubo del aire.....	1
9	0277489	Aro de resorte de la válvula de aire.....	1	33	0276248	Válvula de retención.....	1
10	0277488	Sello delantero de la válvula de aire (incluida en el conjunto de cuerpo).....	1	34	0277483	Tubo largo de la válvula de retención.....	1
11	9811119	Tuerca de retención.....	1	35	0277509	Adaptador.....	1
12	9805205	Tornillo.....	1	36	0277511	Tuerca.....	1
13	0277491	Perilla de ajuste de flujo de aire.....	1	37	0277451	Puente.....	1
14	9894242	Arandela de resorte de onda.....	1	38	0277467	Palanca bloqueadora del depósito.....	1
15	0277498	Tuerca de la válvula de control del aire.....	1	39	0277460	Tapa.....	1
16	0277493	Válvula de flujo de aire.....	1	40	9871049	Junta de anillo.....	2
17	0277185	Conjunto del cuerpo.....	1	41	9805206	Tornillo.....	1
18	0277515	Abrazadera de retención.....	2	42	0277448	Palanca giratoria.....	1
19	0277470	Manubrio.....	1	43	0277449	Guía.....	1
20	0277481	Tubo del asa.....	1	44	0277178	Tubo.....	1
21	0277480	Tuerca del tubo del asa.....	1	45	0277495	Empaque del depósito.....	1
22	0277503	Adaptador de desconexión rápida.....	1	46	0275573	Depósito.....	1
23	0275579	Empaque de la aguja.....	1	47	0277504	Tapón (empacado suelto).....	1
24	0277508	Tuerca de ajuste del empaque de la aguja.....	1	48	0277183	Conjunto del depósito (incluye los artículos #32 - #46).....	1

# Turbine Pressure Feed Gun Parts List /

## Liste de pièces pistolet à turbine à alimentation sous pression /

### Lista de partes de la pistola atomizadora de turbina alimentada a presión (0277057)



**⚠ CAUTION**

Any attempt to remove this fitting will result in damage to the gun body and void the warranty. Fitting is included with body assembly.

**⚠ AVERTISSEMENT**

Toute tentative de démontage de ce raccord endommage le corps de pistolet et annule la garantie. Le raccord est compris dans l'ensemble du corps.

**⚠ PRECAUCION**

Cualquier intento de quitar este adaptador ocasionará que el cuerpo de la pistola se dañe y la garantía perderá su validez. El adaptador está incluido con el conjunto del cuerpo.

**English**

Item	Part Number	Description	Quantity	Item	Part Number	Description	Quantity
1	0277502	Material flow adjustment knob .....	1	16	0277493	Air flow valve .....	1
2	0295575	Needle spring .....	1	17	0277185	Body assembly .....	1
3	0276453	Needle assembly #3 .....	1	18	0277515	Retaining ring .....	2
4	0277510	Material flow adjustment housing .....	1	19	0277470	Handle .....	1
5	0275501	Rear air valve seal .....	1	20	0277481	Handle tube .....	1
6	0275578	Air valve spring .....	1	21	0277480	Handle tube nut .....	1
7	0277486	Air valve seal .....	1	22	0277503	Quick disconnect fitting .....	1
8	0277536	Threaded air valve .....	1	23	0275579	Needle packing .....	1
9	0277489	Air valve snap ring .....	1	24	0277508	Needle packing adjustment nut .....	1
10	0277488	Front air valve seal (included in body assembly) .....	1	25	0275574	Set screw .....	1
11	9811119	Locking nut .....	1	26	0277468	Trigger .....	1
12	9805205	Screw .....	1	27	0277514	Trigger pin .....	2
13	0277491	Air flow adjustment knob .....	1	28	0275250	Spring plate assembly .....	1
14	9894242	Wave spring washer .....	1	29	0276451	Air nozzle #3 .....	1
15	0277498	Air flow valve nut .....	1	30	0276452	Air cap #3 .....	1
				31	0277507	Air cap ring .....	1

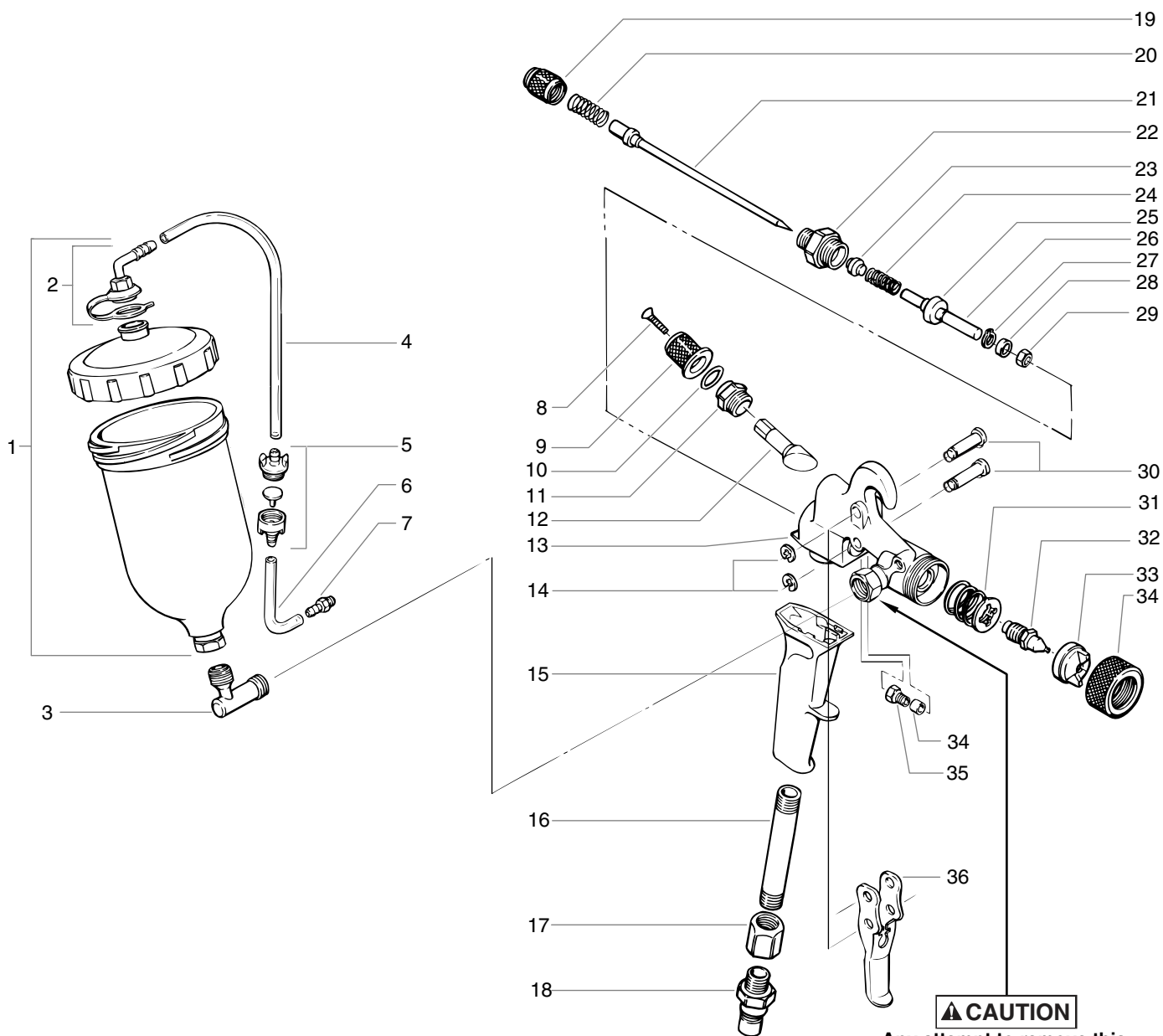
**Français**

Article	No de pièce	Description	Quantité	Article	No de pièce	Description	Quantité
1	0277502	Bouton de réglage de débit de produit ...	1	16	0277493	Soupape de régulation d'air .....	1
2	0295575	Ressort de pointeau .....	1	17	0277185	Corps .....	1
3	0276453	Pointeau no 3 .....	1	18	0277515	Agrafes de retenue .....	2
4	0277510	Bouchon de réglage du débit de produit ...	1	19	0277470	Poignée .....	1
5	0275501	Joint arrière de soupape de régulation d'air .....	1	20	0277481	Tube de poignée .....	1
6	0275578	Ressort de soupape de régulation d'air	1	21	0277480	Écrou de tube de poignée .....	1
7	0277486	Joint de soupape de régulation d'air ...	1	22	0277503	Raccord rapide .....	1
8	0277536	Soupape de régulation d'air fileté .....	1	23	0275579	Garniture de pointeau .....	1
9	0277489	Circlips de soupape de régulation d'air	1	24	0277508	Écrou presse-garniture de pointea ...	1
10	0277488	Joint avant de soupape de régulation d'air (compris dans l'ensemble du corps) .....	1	25	0275574	Vis de montage .....	1
11	9811119	Écrou de retenue .....	1	26	0277468	Détente .....	1
12	9805205	Vis .....	1	27	0277514	Goupilles de détente .....	2
13	0277491	Bouton de réglage de débit d'air .....	1	28	0275250	Coupelle de ressort .....	1
14	9894242	Rondelle ressort ondulée .....	1	29	0276451	Buse d'air no 3 .....	1
15	0277498	Écrou de soupape de régulation d'air ...	1	30	0276452	Bouchon d'air no 3 .....	1
				31	0277507	Bague de fixation du bouchon d'air ...	1

**Español**

Artículo	No de pieza	Descripción	Cantidad	Artículo	No de pieza	Descripción	Cantidad
1	0277502	Perilla ajustadora del flujo de material	1	17	0277185	Conjunto del cuerpo .....	1
2	0295575	Resorte de la aguja .....	1	18	0277515	Abrazadera de retención .....	2
3	0276453	Conjunto de aguja #3 .....	1	19	0277470	Manubrio .....	1
4	0277510	Cubierta del ajuste de flujo de material ...	1	20	0277481	Tubo del asa .....	1
5	0275501	Sello posterior de la válvula de aire ...	1	21	0277480	Tuerca del tubo del asa .....	1
6	0275578	Resorte de la válvula de aire .....	1	22	0277503	Adaptador de desconexión rápida .....	1
7	0277486	Sello de la válvula de aire .....	1	23	0275579	Empaque de la aguja .....	1
8	0277536	Válvula de aire roscada .....	1	24	0277508	Tuerca de ajuste del empaque de la aguja .....	1
9	0277489	Aro de resorte de la válvula de aire ...	1	25	0275574	Tornillo de ajuste .....	1
10	0277488	Sello delantero de la válvula de aire (incluida en el conjunto de cuerpo) .....	1	26	0277468	Gatillo .....	1
11	9811119	Tuerca de retención .....	1	27	0277514	Pasador del gatillo .....	2
12	9805205	Tornillo .....	1	28	0275250	Placa de resorte .....	1
13	0277491	Perilla de ajuste de flujo de aire .....	1	29	0276451	Boquilla de aire #3 .....	1
14	9894242	Arandela de resorte de onda .....	1	30	0276452	Obturador del aire #3 .....	1
15	0277498	Tuerca de la válvula de control del aire ...	1	31	0277507	Anillo del obturador del aire .....	1
16	0277493	Válvula de flujo de aire .....	1				

**Turbine Top Feed Gun Parts List /  
 Liste de pièces pistolet à turbine à alimentation supérieure /  
 Lista de partes de la pistola atomizadora de turbina alimentada por arriba (0277055)**



**⚠ CAUTION**

Any attempt to remove this fitting will result in damage to the gun body and void the warranty. Fitting is included with body assembly.

**⚠ AVERTISSEMENT**

Toute tentative de démontage de ce raccord endommage le corps de pistolet et annule la garantie. Le raccord est compris dans l'ensemble du corps.

**⚠ PRECAUCION**

Cualquier intento de quitar este adaptador ocasionará que el cuerpo de la pistola se dañe y la garantía perderá su validez. El adaptador está incluido con el conjunto del cuerpo.



## English

Item	Part Number	Description	Quantity	Item	Part Number	Description	Quantity
1	0277206	Cup/clip assembly (includes item 2) ..1		20	0295575	Needle spring .....	1
2	0279642	Clip .....	1	21	0276453	Needle assembly #3 .....	1
3	0279381	90° fitting .....	1	22	0277510	Material flow adjustment housing ....	1
4	0277542	Top feed check valve tube .....	1	23	0275501	Rear air valve seal .....	1
5	0276248	Check valve assembly .....	1	24	0275578	Air valve spring .....	1
6	0277483	Long check valve tube .....	1	25	0277486	Air valve seal .....	1
7	0277505	Air tube fitting .....	1	26	0277536	Threaded air valve .....	1
8	9805205	Screw .....	1	27	0277489	Air valve snap ring .....	1
9	0277491	Air flow adjustment knob .....	1	28	0277488	Front air valve seal (included in body assembly) .....	1
10	9894242	Wave spring washer .....	1	29	9811119	Locking nut .....	1
11	0277498	Air flow valve nut .....	1	30	0277514	Trigger pin .....	2
12	0277493	Air flow valve .....	1	31	0275250	Spring plate assembly .....	1
13	0277186	Body assembly .....	1	32	0276451	Air nozzle #3 .....	1
14	0277515	Retaining ring .....	2	33	0276452	Air cap #3 .....	1
15	0277470	Handle .....	1	34	0277507	Air cap ring .....	1
16	0277481	Handle tube .....	1	35	0275579	Needle packing .....	1
17	0277480	Handle tube nut .....	1	36	0277508	Needle packing adjustment nut .....	1
18	0277503	Quick disconnect fitting .....	1	37	0277468	Trigger .....	1
19	0277502	Material flow adjustment knob .....	1				

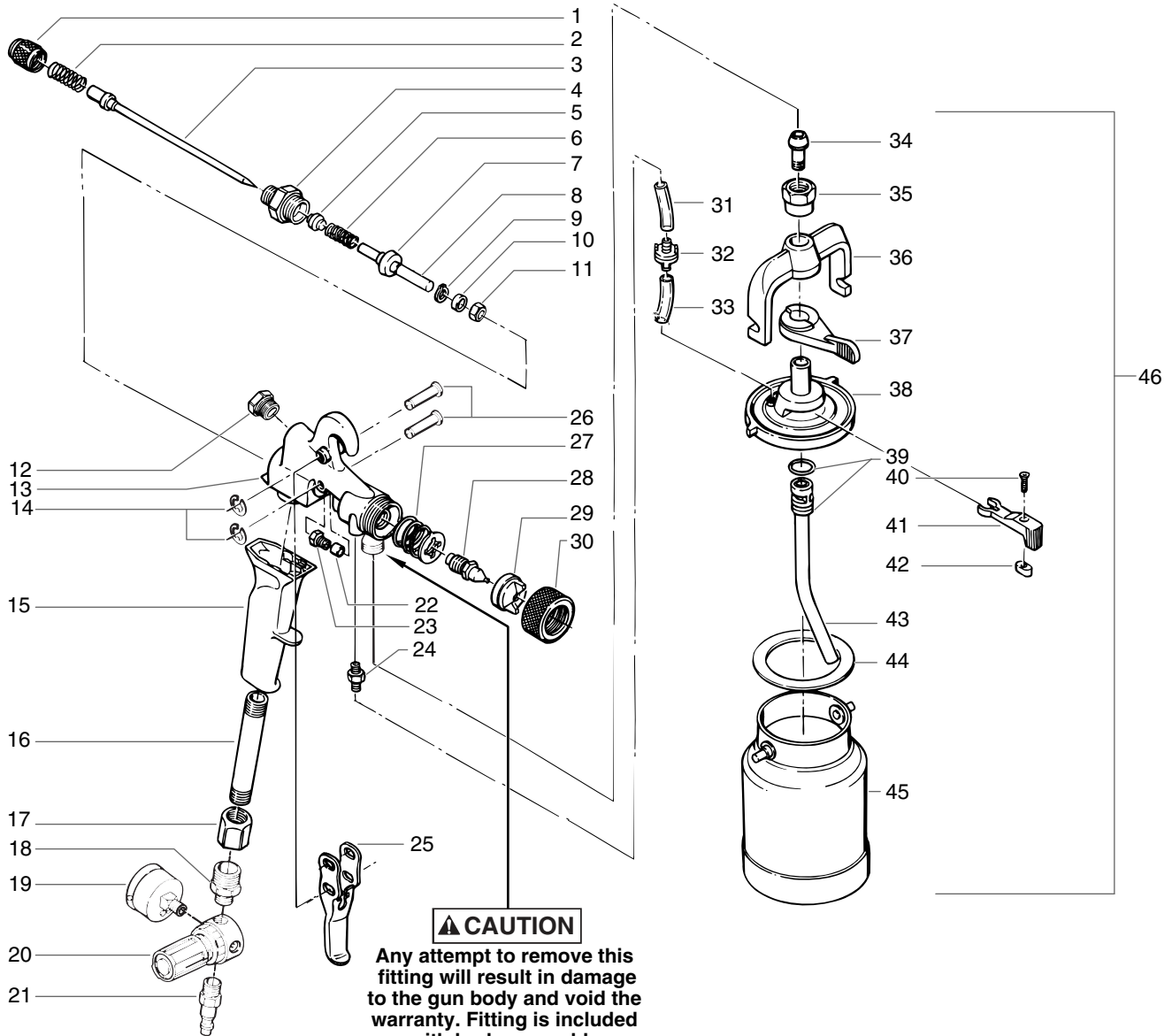
## Français

Article	No de pièce	Description	Quantité	Article	No de pièce	Description	Quantité
1	0277206	Ensemble godet/fixation (comprend l'élément 2) .....	1	20	0295575	Ressort de pointeau .....	1
2	0279642	Fixation .....	1	21	0276453	Pointeau no 3 .....	1
3	0279381	Raccord 90° .....	1	22	0277510	Bouchon de réglage du débit de produit ..	1
4	0277542	Tube de clapet anti-retour pour alimentation supérieure .....	1	23	0275501	Joint arrière de soupape de régulation d'air .....	1
5	0276248	Ensemble clapet anti-retour .....	1	24	0275578	Ressort de soupape de régulation d'air1	
6	0277483	Tube long de clapet anti-retour .....	1	25	0277486	Joint de soupape de régulation d'air ...	1
7	0277505	Raccord tube d'air .....	1	26	0277536	Soupape de régulation d'air filetée .....	1
8	9805205	Vis .....	1	27	0277489	Circlips de soupape de régulation d'air ..	1
9	0277491	Bouton de réglage de débit d'air .....	1	28	0277488	Joint avant de soupape de régulation d'air (compris dans l'ensemble du corps) .....	1
10	9894242	Rondelle ressort ondulée .....	1	29	9811119	Écrou de retenue .....	1
11	0277498	Écrou de soupape de régulation d'air ..	1	30	0277514	Goupilles de détente .....	2
12	0277493	Soupape de régulation d'air .....	1	31	0275250	Coupelle de ressort .....	1
13	0277186	Corps .....	1	32	0276451	Buse d'air no 3 .....	1
14	0277515	Agrafes de retenue .....	2	33	0276452	Bouchon d'air no 3 .....	1
15	0277470	Poignée .....	1	34	0277507	Bague de fixation du bouchon d'air .....	1
16	0277481	Tube de poignée .....	1	35	0275579	Garniture de pointeau .....	1
17	0277480	Écrou de tube de poignée .....	1	36	0277508	Écrou presse-garniture de pointea .....	1
18	0277503	Raccord rapide .....	1	37	0277468	Détente .....	1
19	0277502	Bouton de réglage de débit de produit ...	1				

## Español

Artículo	No de pieza	Descripción	Cantidad	Artículo	No de pieza	Descripción	Cantidad
1	0277206	Conjunto de depósito y abrazadera (incluye artículo 2) .....	1	20	0295575	Resorte de la aguja .....	1
2	0279642	Abrazadera .....	1	21	0276453	Conjunto de aguja #3 .....	1
3	0279381	Abrazadera 90í .....	1	22	0277510	Cubierta del ajuste de flujo de material ...	1
4	0277542	Tubo de la válvula de retención alimentada por arriba .....	1	23	0275501	Sello posterior de la válvula de aire ...	1
5	0276248	Conjunto de válvula de retención .....	1	24	0275578	Resorte de la válvula de aire .....	1
6	0277483	Tubo largo de la válvula de retención ..	1	25	0277486	Sello de la válvula de aire .....	1
7	0277505	Adaptador del tubo de aire .....	1	26	0277536	Válvula de aire roscada .....	1
8	9805205	Tornillo .....	1	27	0277489	Aro de resorte de la válvula de aire ...	1
9	0277491	Perilla de ajuste de flujo de aire .....	1	28	0277488	Sello delantero de la válvula de aire (incluida en el conjunto de cuerpo) .....	1
10	9894242	Arandela de resorte de onda .....	1	29	9811119	Tuerca de retención .....	1
11	0277498	Tuerca de la válvula de control del aire ..	1	30	0277514	Pasador del gatillo .....	2
12	0277493	Válvula de flujo de aire .....	1	31	0275250	Placa de resorte .....	1
13	0277186	Conjunto del cuerpo .....	1	32	0276451	Boquilla de aire #3 .....	1
14	0277515	Abrazadera de retención .....	2	33	0276452	Obturador del aire #3 .....	1
15	0277470	Manubrio .....	1	34	0277507	Anillo del obturador del aire .....	1
16	0277481	Tubo del asa .....	1	35	0275579	Empaque de la aguja .....	1
17	0277480	Tuerca del tubo del asa .....	1	36	0277508	Tuerca de ajuste del empaque de la aguja .....	1
18	0277503	Adaptador de desconexión rápida .....	1	37	0277468	Gatillo .....	1
19	0277502	Perilla ajustadora del flujo de material1					

**Regulator Cup Gun Parts List / Liste de pièces pistolet à godet et régulateur /  
Lista de partes de la pistola atomizadora reguladora (0277076)**



**⚠ CAUTION**

Any attempt to remove this fitting will result in damage to the gun body and void the warranty. Fitting is included with body assembly.

**⚠ AVERTISSEMENT**

Toute tentative de démontage de ce raccord endommage le corps de pistolet et annule la garantie. Le raccord est compris dans l'ensemble du corps.

**⚠ PRECAUCION**

Cualquier intento de quitar este adaptador ocasionará que el cuerpo de la pistola se dañe y la garantía perderá su validez. El adaptador está incluido con el conjunto del cuerpo.

**NOTE:** The swivel lever screw (40) and the swivel lever (41) must be removed before the swivel tube (43) can be disassembled from the lid.

**NOTA:** la vis du levier orientable (40) et le levier orientable (41) doivent être démontés avant que le tube orientable (43) ne puisse être démonté du couvercle.

**NOTA:** El tornillo de la palanca giratoria (40) y la palanca giratoria (41) debe quitarse antes de poder desarmar el tubo giratorio (43) de la tapa.

## English

Item	Part Number	Description	Quantity	Item	Part Number	Description	Quantity
1	0277502	Material flow adjustment knob.....	1	24	0277505	Air tube fitting.....	1
2	0295575	Needle spring.....	1	25	0277468	Trigger.....	1
3	0276453	Needle assembly #3.....	1	26	0277514	Trigger pin.....	2
4	0277510	Material flow adjustment housing.....	1	27	0275250	Spring plate assembly.....	1
5	0275501	Rear air valve seal.....	1	28	0276451	Air nozzle #3.....	1
6	0275578	Air valve spring.....	1	29	0276452	Air cap #3.....	1
7	0277486	Air valve seal.....	1	30	0277507	Air cap ring.....	1
8	0277536	Thread air valve.....	1	31	0277482	Air tube.....	1
9	0277489	Air valve snap ring.....	1	32	0276248	Check valve assembly.....	1
10	0277488	Front air valve seal (included in body assembly).....	1	33	0277483	Long check valve tube.....	1
11	9811119	Locking nut.....	1	34	0277509	Fitting.....	1
12	0277504	Plug.....	1	35	0277511	Nut.....	1
13	0277185	Body assembly.....	1	36	0277451	Bridge.....	1
14	0277515	Retaining clip.....	2	37	0277467	Cup locking lever.....	1
15	0277470	Handle.....	1	38	0277460	Lid.....	1
16	0277481	Handle tube.....	1	39	9871049	O-ring.....	2
17	0277480	Handle tube nut.....	1	40	9805206	Screw.....	1
18	0276424	Fitting.....	1	41	0277448	Swivel lever.....	1
19	0276538	Gauge.....	1	42	0277449	Guide.....	1
20	0276423	Regulator.....	1	43	0277178	Tube.....	1
21	0275696	Nipple, 1/4".....	1	44	0277495	Cup gasket.....	1
22	0275579	Needle packing.....	1	45	0275573	Cup.....	1
23	0277508	Needle packing adjustment nut.....	1	46	0277183	Cup assembly (includes items #31-#45).....	1

## Français

Article	No de pièce	Description	Quantité	Article	No de pièce	Description	Quantité
1	0277502	Material flow adjustment knob.....	1	23	0277508	Écrou presse-garniture de pointe.....	1
2	0295575	Ressort.....	1	24	0277505	Raccord tube d'air.....	1
3	0276453	Pointeau no 3.....	1	25	0277468	Détente.....	1
4	0277510	Bouchon de réglage du débit de produit ..	1	26	0277514	Goupilles de détente.....	2
5	0275501	Joint arrière de soupape de régulation d'air.....	1	27	0275250	Couppelle de ressort.....	1
6	0275578	Ressort de soupape de régulation d'air....	1	28	0276451	Buse d'air no 3.....	1
7	0277486	Joint de soupape de régulation d'air.....	1	29	0276452	Bouchon d'air no 3.....	1
8	0277536	Soupape de régulation d'air filetée.....	1	30	0277507	Bague de fixation du bouchon d'air.....	1
9	0277489	Circlips de soupape de régulation d'air ..	1	31	0277482	Tube d'air.....	1
10	0277488	Joint avant de soupape de régulation d'air (compris dans l'ensemble du corps).....	1	32	0276248	Ensemble clapet anti-retour.....	1
11	9811119	Écrou de retenue.....	1	33	0277483	Tube long de clapet anti-retour.....	1
12	0277504	Obturateur.....	1	34	0277509	Raccord.....	1
13	0277185	Corps.....	1	35	0277511	Écrou.....	1
14	0277515	Agrafes de retenue.....	2	36	0277451	Couronne.....	1
15	0277470	Poignée.....	1	37	0277467	Levier de blocage du godet.....	1
16	0277481	Tube de poignée.....	1	38	0277460	Couvercle.....	1
17	0277480	Écrou de tube de poignée.....	1	39	9871049	Joint torique.....	2
18	0276424	Raccord.....	1	40	9805206	Vis.....	1
19	0276538	Manomètre.....	1	41	0277448	Levier d'orientation.....	1
20	0276423	Régulateur.....	1	42	0277449	Guide.....	1
21	0275696	Raccord, 1/4".....	1	43	0277178	Tube.....	1
22	0275579	Garniture de pointe.....	1	44	0277495	Joint d'étanchéité du godet.....	1
				45	0275573	Godet.....	1
				46	0277183	Ensemble godet (articles nos 31 à 45).....	1

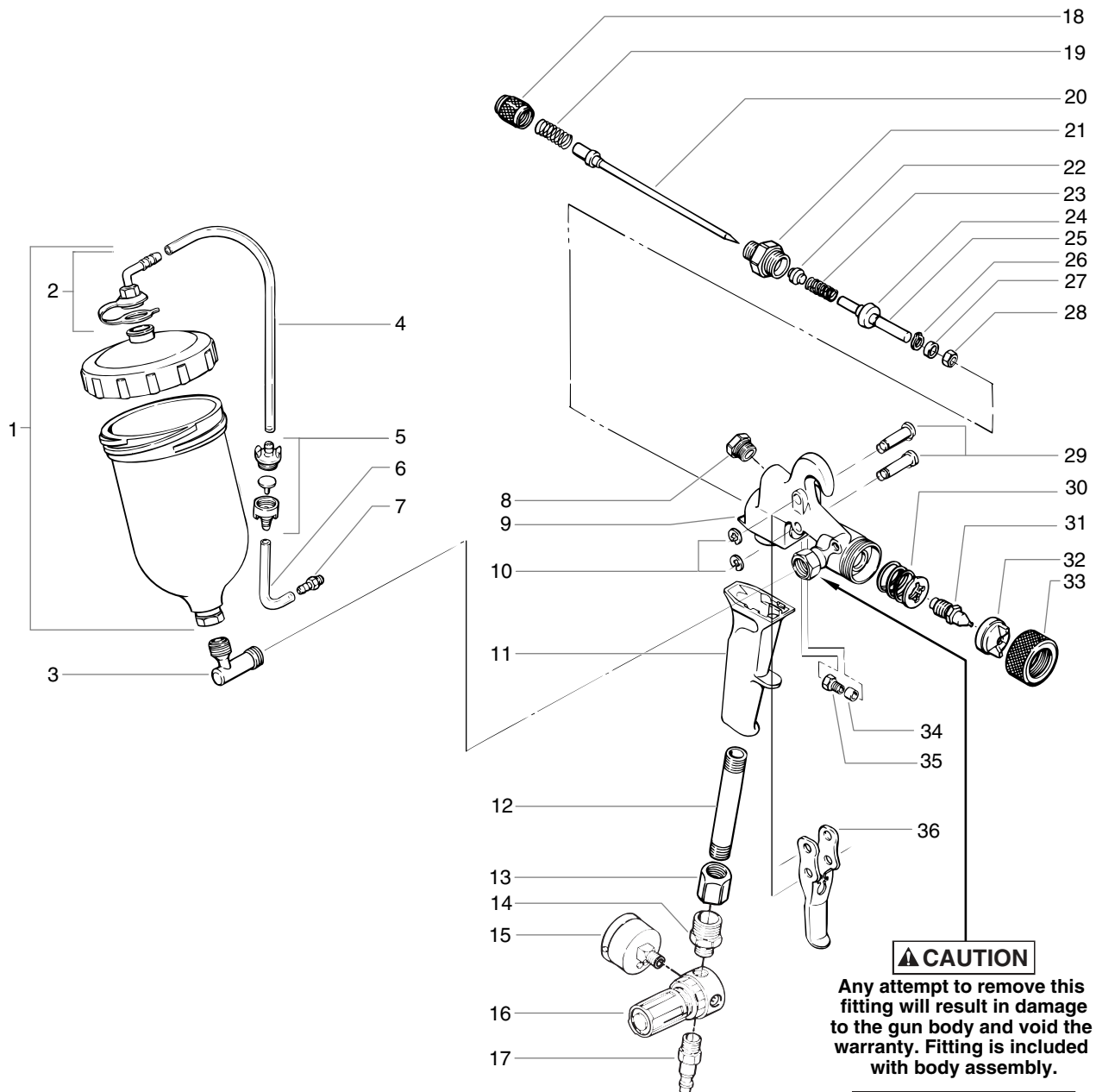
## Español

Artículo	No de pieza	Descripción	Cantidad	Artículo	No de pieza	Descripción	Cantidad
1	0277502	Perilla ajustadora del flujo de material.....	1	24	0277505	Adaptador del tubo de aire.....	1
2	0295575	Resorte de la aguja.....	1	25	0277468	Gatillo.....	1
3	0276453	Conjunto de aguja #3.....	1	26	0277514	Pasador del gatillo.....	2
4	0277510	Cubierta del ajuste de flujo de material....	1	27	0275250	Placa de resorte.....	1
5	0275501	Sello posterior de la válvula de aire.....	1	28	0276451	Boquilla de aire #3.....	1
6	0275578	Resorte de la válvula de aire.....	1	29	0276452	Obturator del aire #3.....	1
7	0277486	Sello de la válvula de aire.....	1	30	0277507	Anillo del obturador del aire.....	1
8	0277536	Válvula de aire roscada.....	1	31	0277482	Tubo del aire.....	1
9	0277489	Aro de resorte de la válvula de aire.....	1	32	0276248	Conjunto de válvula de retención.....	1
10	0277488	Sello delantero de la válvula de aire (incluida en el conjunto de cuerpo).....	1	33	0277483	Tubo largo de la válvula de retención.....	1
11	9811119	Tuerca de retención.....	1	34	0277509	Adaptador.....	1
12	0277504	Tapón.....	1	35	0277511	Tuerca.....	1
13	0277185	Conjunto del cuerpo.....	1	36	0277451	Puente.....	1
14	0277515	Abrazadera de retención.....	2	37	0277467	Palanca bloqueadora del depósito.....	1
15	0277470	Manubrio.....	1	38	0277460	Tapa.....	1
16	0277481	Tubo del asa.....	1	39	9871049	Junta de anillo.....	2
17	0277480	Tuerca del tubo del asa.....	1	40	9805206	Tornillo.....	1
18	0276424	Adaptador.....	1	41	0277448	Palanca giratoria.....	1
19	0276538	Indicador de presión.....	1	42	0277449	Guía.....	1
20	0276423	Regulador.....	1	43	0277178	Tubo.....	1
21	0275696	Unión, 1/4".....	1	44	0277495	Empaque del depósito.....	1
22	0275579	Empaque de la aguja.....	1	45	0275573	Depósito.....	1
23	0277508	Tuerca de ajuste del empaque de la aguja ..	1	46	0277183	Conjunto del depósito (incluye los artículos #31 - #45).....	1

# Regulator Top Feed Gun Parts List /

## Liste de pièces pistolet à régulateur à alimentation supérieure /

### Lista de partes de la pistola atomizadora reguladora alimentada por arriba (0277075)



**⚠ CAUTION**

Any attempt to remove this fitting will result in damage to the gun body and void the warranty. Fitting is included with body assembly.

**⚠ AVERTISSEMENT**

Toute tentative de démontage de ce raccord endommage le corps de pistolet et annule la garantie. Le raccord est compris dans l'ensemble du corps.

**⚠ PRECAUCION**

Cualquier intento de quitar este adaptador ocasionará que el cuerpo de la pistola se dañe y la garantía perderá su validez. El adaptador está incluido con el conjunto del cuerpo.

## English

Item	Part Number	Description	Quantity	Item	Part Number	Description	Quantity
1	0277206	Cup/clip assembly (includes item 2) ..1		20	0276453	Needle assembly #3 .....	1
2	0279642	Clip .....	1	21	0277510	Material flow adjustment housing.....	1
3	0279381	90° fitting .....	1	22	0275501	Rear air valve seal .....	1
4	0277542	Top feed check valve tube .....	1	23	0275578	Air valve spring .....	1
5	0276248	Check valve assembly .....	1	24	0277486	Air valve seal.....	1
6	0277483	Long check valve tube .....	1	25	0277536	Threaded air valve .....	1
7	0277505	Air tube fitting .....	1	26	0277489	Air valve snap ring .....	1
8	0277504	Plug .....	1	27	0277488	Front air valve seal (included in body assembly) .....	1
9	0277186	Body assembly.....	1	28	9811119	Locking nut.....	1
10	0277515	Retaining ring .....	2	29	0277514	Trigger pin .....	2
11	0277470	Handle .....	1	30	0275250	Spring plate assembly.....	1
12	0277481	Handle tube.....	1	31	0276451	Air nozzle #3 .....	1
13	0277480	Handle tube nut.....	1	32	0276452	Air cap #3.....	1
14	0276424	Fitting .....	1	33	0277507	Air cap ring.....	1
15	0276538	Gauge .....	1	34	0275579	Needle packing .....	1
16	0276423	Regulator.....	1	35	0277508	Needle packing adjustment nut.....	1
17	0275696	Nipple, 1/4".....	1	36	0277468	Trigger .....	1
18	0277502	Material flow adjustment knob .....	1				
19	0295575	Needle spring .....	1				

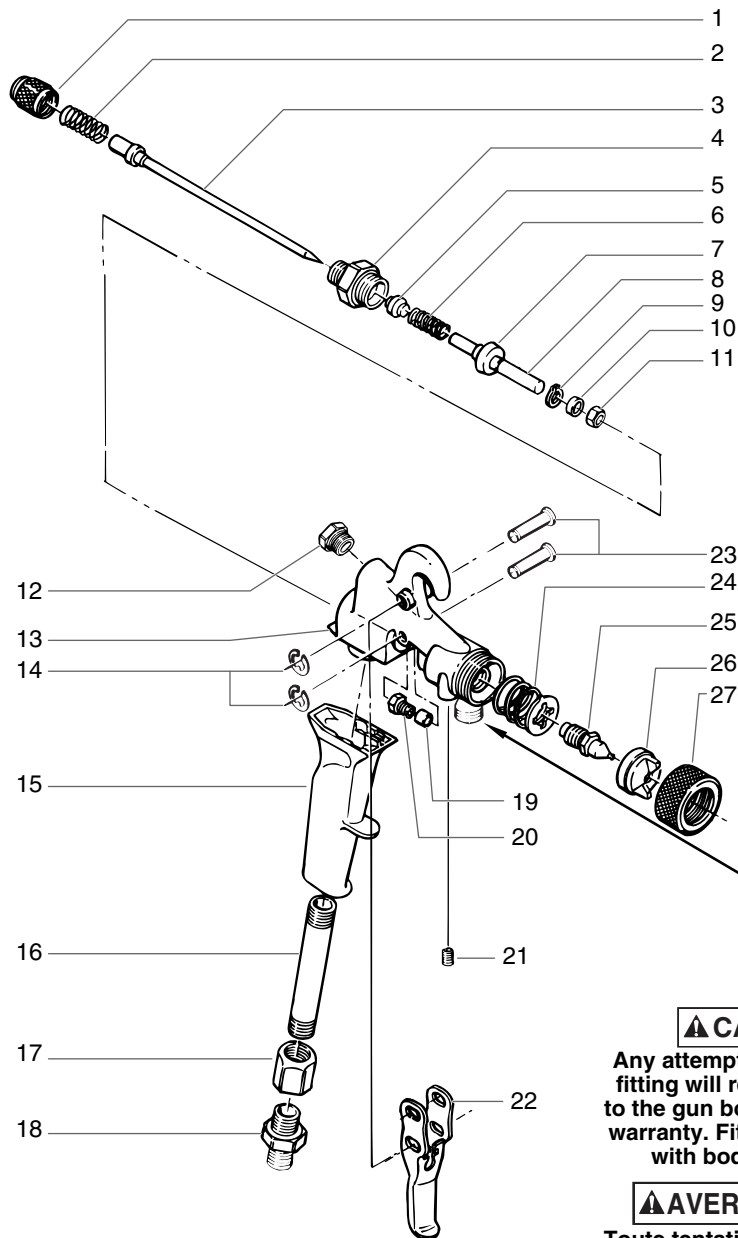
## Français

Article	No de pièce	Description	Quantité	Article	No de pièce	Description	Quantité
1	0277206	Ensemble godet/fixation (comprend l'élément 2).....	1	20	0276453	Pointeau no 3 .....	1
2	0279642	Fixation .....	1	21	0277510	Bouchon de réglage du débit de produit .....	1
3	0279381	Raccord 90°.....	1	22	0275501	Joint arrière de soupape de régulation d'air.....	1
4	0277542	Tube de clapet anti-retour pour alimentation supérieure .....	1	23	0275578	Ressort de soupape de régulation d'air.....	1
5	0276248	Ensemble clapet anti-retour .....	1	24	0277486	Joint de soupape de régulation d'air ...	1
6	0277483	Tube long de clapet anti-retour .....	1	25	0277536	Soupape de régulation d'air filetée.....	1
7	0277505	Raccord tube d'air .....	1	26	0277489	Circlips de soupape de régulation d'air ...	1
8	0277504	Obtuteur .....	1	27	0277488	Joint avant de soupape de régulation d'air (compris dans l'ensemble du corps).....	1
9	0277186	Corps .....	1	28	9811119	Écrou de retenue.....	1
10	0277515	Agrafes de retenue.....	2	29	0277514	Goupilles de détente .....	2
11	0277470	Poignée .....	1	30	0275250	Coupelle de ressort .....	1
12	0277481	Tube de poignée .....	1	31	0276451	Buse d'air no 3 .....	1
13	0277480	Écrou de tube de poignée .....	1	32	0276452	Bouchon d'air no 3 .....	1
14	0276424	Raccord.....	1	33	0277507	Bague de fixation du bouchon d'air.....	1
15	0276538	Manomètre .....	1	34	0275579	Needle packing.....	1
16	0276423	Régulateur .....	1	35	0277508	Needle packing adjustment nut.....	1
17	0275696	Raccord, 1/4".....	1	36	0277468	Détente.....	1
18	0277502	Bouton de réglage de débit de produit.....	1				
19	0295575	Ressort de pointeau .....	1				

## Español

Artículo	No de pieza	Descripción	Cantidad	Artículo	No de pieza	Descripción	Cantidad
1	0277206	Conjunto de depósito y abrazadera (incluye artículo 2) .....	1	19	0295575	Resorte de la aguja .....	1
2	0279642	Abrazadera .....	1	20	0276453	Conjunto de aguja #3 .....	1
3	0279381	Abrazadera 90° .....	1	21	0277510	Cubierta del ajuste de flujo de material ...	1
4	0277542	Tubo de la válvula de retención alimentada por arriba.....	1	22	0275501	Sello posterior de la válvula de aire ...	1
5	0276248	Conjunto de válvula de retención .....	1	23	0275578	Resorte de la válvula de aire.....	1
6	0277483	Tubo largo de la válvula de retención...1		24	0277486	Sello de la válvula de aire .....	1
7	0277505	Adaptador del tubo de aire .....	1	25	0277536	Válvula de aire roscada .....	1
8	0277504	Tapón .....	1	26	0277489	Aro de resorte de la válvula de aire ...	1
9	0277186	Conjunto del cuerpo .....	1	27	0277488	Sello delantero de la válvula de aire (incluida en el conjunto de cuerpo) ...	1
10	0277515	Abrazadera de retención .....	2	28	9811119	Tuerca de retención.....	1
11	0277470	Manubrio.....	1	29	0277514	Pasador del gatillo .....	2
12	0277481	Tubo del asa .....	1	30	0275250	Placa de resorte .....	1
13	0277480	Tuerca del tubo del asa .....	1	31	0276451	Boquilla de aire #3.....	1
14	0276424	Adaptador .....	1	32	0276452	Obturator del aire #3.....	1
15	0276538	Indicador de presión .....	1	33	0277507	Anillo del obturador del aire.....	1
16	0276423	Regulador .....	1	34	0275579	Empaque de la aguja.....	1
17	0275696	Unión, 1/4" .....	1	35	0277508	Tuerca de ajuste del empaque de la aguja.....	1
18	0277502	Perilla ajustadora del flujo de material..1		36	0277468	Gatillo.....	1

**Compressor Pressure Feed Gun Parts List /  
 Liste de pièces pistolet à compresseur à alimentation sous pression /  
 Lista de partes de la pistola atomizadora de compresora alimentada a presión  
 (0277088)**



**⚠ CAUTION**

Any attempt to remove this fitting will result in damage to the gun body and void the warranty. Fitting is included with body assembly.

**⚠ AVERTISSEMENT**

Toute tentative de d montage de ce raccord endommage le corps de pistolet et annule la garantie. Le raccord est compris dans l'ensemble du corps.

**⚠ PRECAUCION**

Cualquier intento de quitar este adaptador ocasionar que el cuerpo de la pistola se da e y la garant a perder su validez. El adaptador est incluido con el conjunto del cuerpo.

**English**

Item	Part Number	Description	Quantity	Item	Part Number	Description	Quantity
1	0277502	Material flow adjustment knob .....	1	14	0277515	Retaining ring .....	2
2	0295575	Needle spring .....	1	15	0277470	Handle .....	1
3	0276453	Needle assembly #3 .....	1	16	0277481	Handle tube .....	1
4	0277510	Material flow adjustment housing .....	1	17	0277480	Handle tube nut .....	1
5	0275501	Rear air valve seal .....	1	18	0276424	Fitting .....	1
6	0275578	Air valve spring .....	1	19	0275579	Needle packing .....	1
7	0277486	Air valve seal .....	1	20	0277508	Needle packing adjustment nut .....	1
8	0277536	Threaded air valve .....	1	21	0275574	Set screw .....	1
9	0277489	Air valve snap ring .....	1	22	0277468	Trigger .....	1
10	0277488	Front air valve seal (included in body assembly) .....	1	23	0277514	Trigger pin .....	2
11	9811119	Locking nut .....	1	24	0275250	Spring plate assembly .....	1
12	0277504	Air plug .....	1	25	0276451	Air nozzle #3 .....	1
13	0277185	Body assembly .....	1	26	0295642	Air cap #3A .....	1
				27	0277507	Air cap ring .....	1

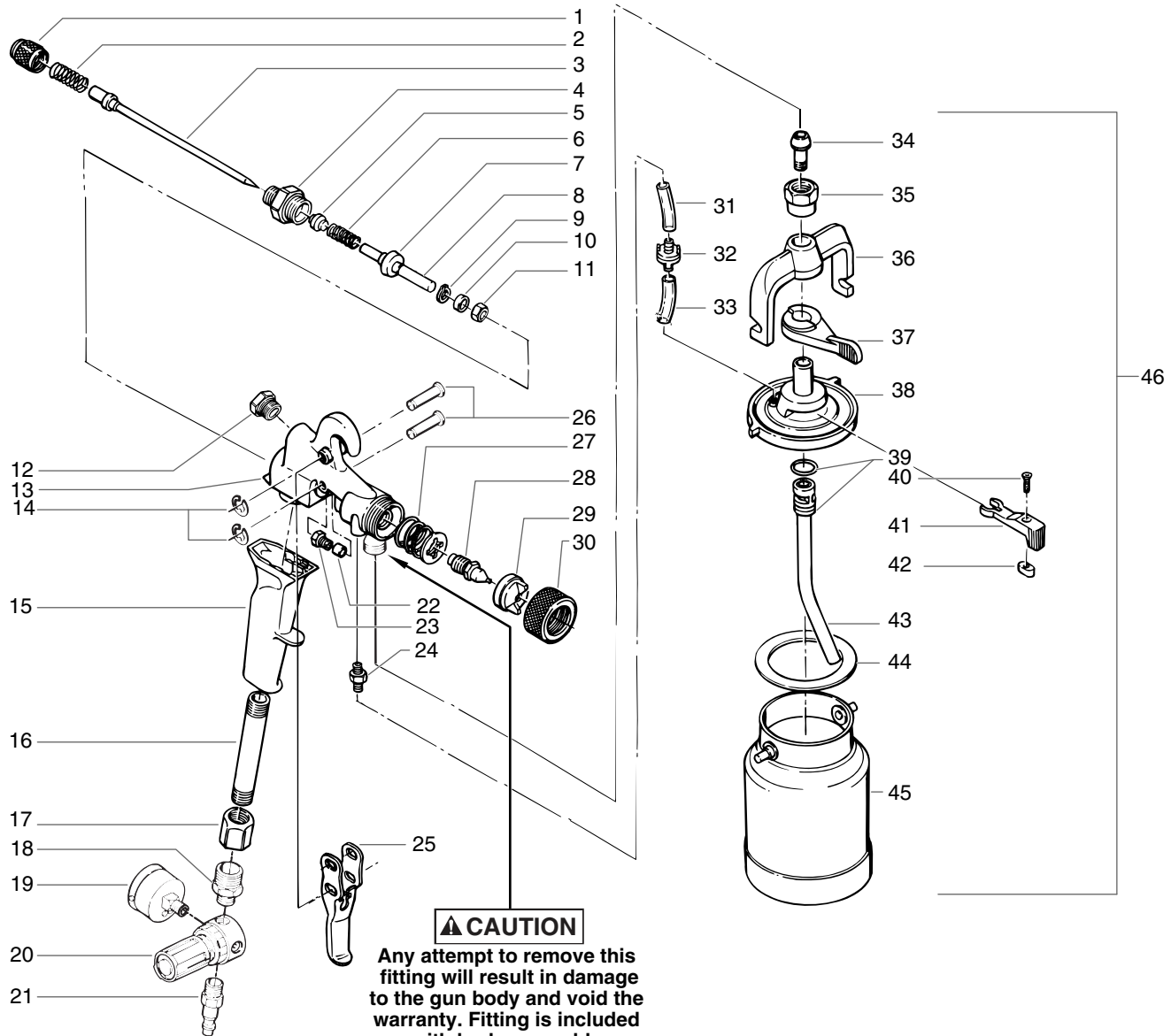
**Français**

Article	No de pièce	Description	Quantité	Article	No de pièce	Description	Quantité
1	0277502	Bouton de réglage de débit de produit ...	1	14	0277515	Agrafes de retenue .....	2
2	0295575	Ressort de pointeau .....	1	15	0277470	Poignée .....	1
3	0276453	Pointeau no 3 .....	1	16	0277481	Tube de poignée .....	1
4	0277510	Bouchon de réglage du débit de produit ...	1	17	0277480	Écrou de tube de poignée .....	1
5	0275501	Joint arrière de soupape de régulation d'air .....	1	18	0276424	Raccord .....	1
6	0275578	Ressort de soupape de régulation d'air ..	1	19	0275579	Garniture de pointeau .....	1
7	0277486	Joint de soupape de régulation d'air .....	1	20	0277508	Écrou presse-garniture de pointea .....	1
8	0277536	Soupape de régulation d'air filetée .....	1	21	0275574	Vis de montage .....	1
9	0277489	Circlips de soupape de régulation d'air ..	1	22	0277468	Détente .....	1
10	0277488	Joint avant de soupape de régulation d'air (compris dans l'ensemble du corps) .....	1	23	0277514	Goupilles de détente .....	2
11	9811119	Écrou de retenue .....	1	24	0275250	Coupelle de ressort .....	1
12	0277504	Obtuteur .....	1	25	0276451	Buse d'air no 3 .....	1
13	0277185	Corps .....	1	26	0295642	Bouchon d'air no 3A .....	1
				27	0277507	Bague de fixation du bouchon d'air ....	1

**Español**

Artículo	No de pieza	Descripción	Cantidad	Artículo	No de pieza	Descripción	Cantidad
1	0277502	Perilla ajustadora del flujo de material ..	1	15	0277470	Manubrio .....	1
2	0295575	Resorte de la aguja .....	1	16	0277481	Tubo del asa .....	1
3	0276453	Conjunto de aguja #3 .....	1	17	0277480	Tuerca del tubo del asa .....	1
4	0277510	Cubierta del ajuste de flujo de material ..	1	18	0276424	Adaptador .....	1
5	0275501	Sello posterior de la válvula de aire ..	1	19	0275579	Empaque de la aguja .....	1
6	0275578	Resorte de la válvula de aire .....	1	20	0277508	Tuerca de ajuste del empaque de la aguja .....	1
7	0277486	Sello de la válvula de aire .....	1	21	0275574	Tornillo de ajuste .....	1
8	0277536	Válvula de aire roscada .....	1	22	0277468	Gatillo .....	1
9	0277489	Aro de resorte de la válvula de aire ..	1	23	0277514	Pasador del gatillo .....	2
10	0277488	Sello delantero de la válvula de aire (incluida en el conjunto de cuerpo) ...	1	24	0275250	Placa de resorte .....	1
11	9811119	Tuerca de retención .....	1	25	0276451	Boquilla de aire #3 .....	1
12	0277504	Tapón .....	1	26	0295642	Obturator del aire #3 .....	1
13	0277185	Conjunto del cuerpo .....	1	27	0277507	Anillo del obturador del aire .....	1
14	0277515	Abrazadera de retención .....	2				

**Compressor Regulator Cup Gun Parts List /  
 Liste de pièces pistolet à compresseur à godet et régulateur /  
 Lista de partes de la pistola atomizadora de compresora reguladora (0508062)**



**⚠ CAUTION**

Any attempt to remove this fitting will result in damage to the gun body and void the warranty. Fitting is included with body assembly.

**⚠ AVERTISSEMENT**

Toute tentative de démontage de ce raccord endommage le corps de pistolet et annule la garantie. Le raccord est compris dans l'ensemble du corps.

**⚠ PRECAUCION**

Cualquier intento de quitar este adaptador ocasionará que el cuerpo de la pistola se dañe y la garantía perderá su validez. El adaptador está incluido con el conjunto del cuerpo.

**NOTE:** The swivel lever screw (40) and the swivel lever (41) must be removed before the swivel tube (43) can be disassembled from the lid.

**NOTA:** la vis du levier orientable (40) et le levier orientable (41) doivent être démontés avant que le tube orientable (43) ne puisse être démonté du couvercle.

**NOTA:** El tornillo de la palanca giratoria (40) y la palanca giratoria (41) debe quitarse antes de poder desarmar el tubo giratorio (43) de la tapa.



## English

Item	Part Number	Description	Quantity	Item	Part Number	Description	Quantity
1	0277502	Material flow adjustment knob.....	1	24	0277505	Air tube fitting.....	1
2	0295575	Needle spring.....	1	25	0277468	Trigger.....	1
3	0275724	Needle assembly #4.....	1	26	0277514	Trigger pin.....	2
4	0277510	Material flow adjustment housing.....	1	27	0275250	Spring plate assembly.....	1
5	0275501	Rear air valve seal.....	1	28	0276454	Air nozzle #4.....	1
6	0275578	Air valve spring.....	1	29	0295643	Air cap #4A.....	1
7	0277486	Air valve seal.....	1	30	0277507	Air cap ring.....	1
8	0277536	Thread air valve.....	1	31	0277482	Air tube.....	1
9	0277489	Air valve snap ring.....	1	32	0276248	Check valve assembly.....	1
10	0277488	Front air valve seal (included in body assembly).....	1	33	0277483	Long check valve tube.....	1
11	9811119	Locking nut.....	1	34	0277509	Fitting.....	1
12	0277504	Plug.....	1	35	0277511	Nut.....	1
13	0277185	Body assembly.....	1	36	0277451	Bridge.....	1
14	0277515	Retaining clip.....	2	37	0277467	Cup locking lever.....	1
15	0277470	Handle.....	1	38	0277460	Lid.....	1
16	0277481	Handle tube.....	1	39	9871049	O-ring.....	2
17	0277480	Handle tube nut.....	1	40	9805206	Screw.....	1
18	0276424	Fitting.....	1	41	0277448	Swivel lever.....	1
19	0276538	Gauge.....	1	42	0277449	Guide.....	1
20	0276423	Regulator.....	1	43	0277178	Tube.....	1
21	0275696	Nipple, 1/4".....	1	44	0277495	Cup gasket.....	1
22	0275579	Needle packing.....	1	45	0275573	Cup.....	1
23	0277508	Needle packing adjustment nut.....	1	46	0277183	Cup assembly (includes items #31-#45).....	1

## Français

Article	No de pièce	Description	Quantité	Article	No de pièce	Description	Quantité
1	0277502	Material flow adjustment knob.....	1	23	0277508	Écrou presse-garniture de pointe.....	1
2	0295575	Ressort.....	1	24	0277505	Raccord tube d'air.....	1
3	0275724	Pointeau no 4.....	1	25	0277468	Détente.....	1
4	0277510	Bouchon de réglage du débit de produit ..	1	26	0277514	Goupilles de détente.....	2
5	0275501	Joint arrière de soupape de régulation d'air.....	1	27	0275250	Coupelle de ressort.....	1
6	0275578	Ressort de soupape de régulation d'air....	1	28	0276454	Buse d'air no 4.....	1
7	0277486	Joint de soupape de régulation d'air.....	1	29	0295643	Bouchon d'air no 4A.....	1
8	0277536	Soupape de régulation d'air filetée.....	1	30	0277507	Bague de fixation du bouchon d'air.....	1
9	0277489	Circlips de soupape de régulation d'air....	1	31	0277482	Tube d'air.....	1
10	0277488	Joint avant de soupape de régulation d'air (compris dans l'ensemble du corps).....	1	32	0276248	Ensemble clapet anti-retour.....	1
11	9811119	Écrou de retenue.....	1	33	0277483	Tube long de clapet anti-retour.....	1
12	0277504	Obturateur.....	1	34	0277509	Raccord.....	1
13	0277185	Corps.....	1	35	0277511	Écrou.....	1
14	0277515	Agrafes de retenue.....	2	36	0277451	Couronne.....	1
15	0277470	Poignée.....	1	37	0277467	Levier de blocage du godet.....	1
16	0277481	Tube de poignée.....	1	38	0277460	Couvercle.....	1
17	0277480	Écrou de tube de poignée.....	1	39	9871049	Joint torique.....	2
18	0276424	Raccord.....	1	40	9805206	Vis.....	1
19	0276538	Manomètre.....	1	41	0277448	Levier d'orientation.....	1
20	0276423	Régulateur.....	1	42	0277449	Guide.....	1
21	0275696	Raccord, 1/4".....	1	43	0277178	Tube.....	1
22	0275579	Garniture de pointe.....	1	44	0277495	Joint d'étanchéité du godet.....	1
				45	0275573	Godet.....	1
				46	0277183	Ensemble godet (articles nos 31 à 45).....	1

## Español

Artículo	No de pieza	Descripción	Cantidad	Artículo	No de pieza	Descripción	Cantidad
1	0277502	Perilla ajustadora del flujo de material.....	1	24	0277505	Adaptador del tubo de aire.....	1
2	0295575	Resorte de la aguja.....	1	25	0277468	Gatillo.....	1
3	0275724	Conjunto de aguja #4.....	1	26	0277514	Pasador del gatillo.....	2
4	0277510	Cubierta del ajuste de flujo de material.....	1	27	0275250	Placa de resorte.....	1
5	0275501	Sello posterior de la válvula de aire.....	1	28	0276454	Boquilla de aire #4.....	1
6	0275578	Resorte de la válvula de aire.....	1	29	0295643	Obturator del aire #4A.....	1
7	0277486	Sello de la válvula de aire.....	1	30	0277507	Anillo del obturador del aire.....	1
8	0277536	Válvula de aire roscada.....	1	31	0277482	Tubo del aire.....	1
9	0277489	Aro de resorte de la válvula de aire.....	1	32	0276248	Conjunto de válvula de retención.....	1
10	0277488	Sello delantero de la válvula de aire (incluida en el conjunto de cuerpo).....	1	33	0277483	Tubo largo de la válvula de retención.....	1
11	9811119	Tuerca de retención.....	1	34	0277509	Adaptador.....	1
12	0277504	Tapón.....	1	35	0277511	Tuerca.....	1
13	0277185	Conjunto del cuerpo.....	1	36	0277451	Puente.....	1
14	0277515	Abrazadera de retención.....	2	37	0277467	Palanca bloqueadora del depósito.....	1
15	0277470	Manubrio.....	1	38	0277460	Tapa.....	1
16	0277481	Tubo del asa.....	1	39	9871049	Junta de anillo.....	2
17	0277480	Tuerca del tubo del asa.....	1	40	9805206	Tornillo.....	1
18	0276424	Adaptador.....	1	41	0277448	Palanca giratoria.....	1
19	0276538	Indicador de presión.....	1	42	0277449	Guía.....	1
20	0276423	Regulador.....	1	43	0277178	Tubo.....	1
21	0275696	Unión, 1/4".....	1	44	0277495	Empaque del depósito.....	1
22	0275579	Empaque de la aguja.....	1	45	0275573	Depósito.....	1
23	0277508	Tuerca de ajuste del empaque de la aguja ..	1	46	0277183	Conjunto del depósito (incluye los artículos #31 - #45).....	1

## Limited Warranty - High Volume, Low Pressure Spray Equipment

### What Is Covered By This Warranty:

This product, manufactured by CAPspray, is warranted against defects in material and workmanship for one (1) year following date of purchase if operated in accordance with CAPspray's printed recommendations and instructions.

Within the applicable warranty period, CAPspray will repair or replace, at our option, defective parts without charge if such parts are returned with transportation charges prepaid to the nearest Authorized Service Center or to CAPspray Corporation, 1770 Fernbrook Lane, Minneapolis, MN 55447. If CAPspray is unable to repair this product as to conform to this Limited Warranty after a reasonable number of attempts, CAPspray will provide, at our option, either a replacement for this product or a full refund of the purchase price of this product. These remedies are the sole and exclusive remedies available for breach of express and implied warranties.

### What is Not Covered By This Warranty:

1. This Warranty does not cover any defects or damages caused by either:
  - a) the use or installation of repair or replacement parts or accessories not manufactured by CAPspray, or
  - b) repair performed by anyone other than a CAPspray Authorized Service Center.
2. The Warranty does not cover equipment and accessories supplied to CAPspray from an original equipment manufacturer, including but not limited to: hoses, tips, or accessories. CAPspray will provide the purchaser with copies of the original equipment manufacturer's express warranties provided to CAPspray along with the name and address of the appropriate manufacturer.
3. This Warranty does not cover damage or defects caused by or related to abrasion, corrosion, abuse, misuse, negligence, accident, normal wear, faulty installation or tampering in a manner which impairs normal operation.

### Limitation of Remedies:

IN NO CASE SHALL CAPSPRAY BE LIABLE FOR ANY INCIDENTAL, SPECIAL OR CONSEQUENTIAL DAMAGES OR LOSS, INCLUDING TRANSPORTATION COSTS, WHETHER SUCH DAMAGES ARE BASED UPON A BREACH OF EXPRESS OR IMPLIED WARRANTIES, BREACH OF CONTRACT, NEGLIGENCE, STRICT TORT, OR ANY OTHER LEGAL THEORY.

### Disclaimer Of Implied Warranties:

THE FOREGOING WARRANTIES ARE IN LIEU OF ALL OTHER WARRANTIES, EXPRESS OR IMPLIED, INCLUDING BUT NOT LIMITED TO THE IMPLIED WARRANTIES OF MERCHANTABILITY AND FITNESS FOR A PARTICULAR PURPOSE.

### No Ability To Transfer:

This warranty is extended to the original purchaser only and is not transferable.

### Your Rights Under State Law:

Some states do not allow limitations on how long an implied warranty lasts or the exclusion of incidental or consequential damages, so the above limitation and exclusion may not apply to you. This warranty gives you specific legal rights, and you may also have other rights which vary from state to state.

## Patents

These products are covered by one or more of the following patents:

5,226,600	5,284,301	5,218,993	D341,872	D321,926	5,078,323
5,050,804	D331,095	5,217,168	5,655,714	5,573,371	5,558,492
5,078,322					

## Garantie Limitée — Équipement pulvérisateur à volume élevé et à basse pression

### Ce qui est couvert par la présente garantie :

Ce produit, fabriqué par CAPSray, est garanti contre tout vice de matières et toute malfaçon pendant un (1) an suivant la date d'achat, lorsqu'il est utilisé conformément aux recommandations et directives imprimées de CAPSray.

Pendant la période de la dite garantie, CAPSray réparera ou remplacera, à son choix, les pièces défectueuses sans frais si ces dernières sont envoyées, port payé, au centre d'entretien autorisé le plus près, ou directement chez elle, au 1770 Fernbrook Lane, Minneapolis, MN 55447 (É.-U.). Si CAPSray ne peut, après un nombre raisonnable de tentatives, réparer le produit de manière à ce qu'il soit conforme à la présente garantie limitée, elle devra, à son choix, remplacer le produit ou en rembourser le prix d'achat. Seuls les recours exclusifs qui précèdent sont offerts en cas de violation des garanties expresses et implicites.

### Ce qui n'est pas couvert par la présente garantie :

1. La présente garantie ne couvre pas les défauts ou dommages entraînés par :
  - a) l'utilisation ou l'installation de pièces ou d'accessoires de rechange ou de réparation n'étant pas fabriqués par CAPSray;
  - b) les réparations effectuées par qui que ce soit d'autre qu'un centre d'entretien autorisé par CAPSray.
2. La présente garantie ne couvre pas l'équipement et les accessoires fournis à CAPSray par un fabricant de matériel original (OEM) incluant, sans toutefois s'y limiter, les tuyaux flexibles et les embouts. CAPSray fournira à l'acheteur un exemplaire des garanties expresses offertes par le fabricant, de même que le nom et l'adresse de ce dernier.
3. La présente garantie ne couvre pas les défauts ou les dommages découlant de l'abrasion, de la corrosion, de l'usage abusif, de l'emploi incorrect, de négligence, d'accidents, de l'usure normale, d'une installation fautive ou d'une intervention non autorisée susceptible de nuire au fonctionnement normal de l'équipement.

### Limitation des recours :

CAPSPRAY NE PEUT EN AUCUN CAS ÊTRE TENUE RESPONSABLE DE TOUT DOMMAGE OU DE TOUTE PERTE DE NATURE INDIRECTE, SPÉCIALE OU CONSÉCUTIVE, INCLUANT LES FRAIS DE TRANSPORT, QUE CES PERTES OU DOMMAGES SOIENT FONDÉS SUR UNE VIOLATION DES GARANTIES EXPRESSES ET IMPLICITES, UNE RUPTURE DE CONTRAT, DE LA NÉGLIGENCE, UN DÉLIT CIVIL OU TOUTE AUTRE THÉORIE JURIDIQUE.

### Stipulation d'exonération de garanties implicites :

LES GARANTIES PRÉCÉDENTES REMPLACENT TOUTE AUTRE GARANTIE, EXPRESSE OU IMPLICITE, INCLUANT, SANS TOUTEFOIS S'Y LIMITER, LES GARANTIES IMPLICITE DE VENDABILITÉ ET DE CONVENANCE À UNE DESTINATION PARTICULIÈRE.

### Aucune possibilité de transfert :

La présente garantie est offerte à L'acheteur original seulement et n'est pas transférable.

### Droits en vertu de lois locales :

Certains états ou provinces ne permettant pas la limitation de la durée de garanties implicites ou l'exclusion de dommages indirects ou consécutifs, les limitations et exclusions ci-dessus pourraient ne pas s'appliquer à l'acheteur. Si la présente garantie lui accorde des droits particuliers, l'acheteur pourrait en disposer d'autres en vertu de lois variant entre provinces et états.

### Brevets

Ces produits sont protégés par un ou plusieurs des brevets suivants :

5,226,600	5,284,301	5,218,993	D341,872	D321,926	5,078,323
5,050,804	D331,095	5,217,168	5,655,714	5,573,371	5,558,492
5,078,322					

## Garantía Limitada — Equipo de atomización de alto volumen y baja presión

### Lo que está cubierto por esta garantía:

Este producto, fabricado por CAPSspray, está garantizado por un (1) año a partir de la fecha de compra, contra los defectos de material y mano de obra que haya cuando se utilice de acuerdo con las recomendaciones e instrucciones impresas de CAPSspray.

Dentro del período de garantía con validez, CAPSspray reparará o reemplazará, a opción nuestra y sin cargo, las piezas defectuosas si dichas piezas se devuelven, con el costo de transportación pagado de antemano, al Centro de Servicio Autorizado más cercano o a CAPSspray Corporation, 1770 Fernbrook Lane, Minneapolis, MN 55447. Si CAPSspray es incapaz de reparar este producto conforme se establece en esta Garantía Limitada después de un número razonable de intentos, CAPSspray proporcionará, a opción nuestra, ya sea un repuesto de este producto o bien el reembolso total del precio de compra de este producto. Estos remedios son los únicos y exclusivos remedios de que se dispone cuando se violen las garantías expresas o implícitas.

### Lo que no está cubierto por esta garantía:

1. Esta garantía no cubre ningún defecto o daño que haya surgido a causa de:
  - a) usar o instalar piezas de reparación o reemplazo o accesorios que no haya fabricado CAPSspray, o
  - b) una reparación realizada por alguien que no pertenezca al Centro de Servicio Autorizado de CAPSspray.
2. La garantía no cubre el equipo ni los accesorios que se le hayan suministrado a CAPSspray a través de un fabricante de equipo original, que incluyen sin quedar limitados a ser sólo estos: mangueras, boquillas o accesorios. CAPSspray le proporcionará al comprador copias de las garantías expresas del fabricante del equipo que se le hayan proporcionado, junto con el nombre y dirección del fabricante apropiado.
3. Esta garantía no cubre los daños ni defectos que hayan sido causados por la abrasión, corrosión, abuso, uso erróneo, negligencia, accidentes, desgaste normal, una instalación defectuosa o una alteración por la que se impida el funcionamiento normal, o que tengan relación con éstos.

### Limitación de remedios:

CAPSPRAY NO SE HARÁ RESPONSABLE EN NINGÚN CASO DE LA PÉRDIDA NI DE NINGÚN DAÑO, INCIDENTAL, ESPECIAL O DE CONSECUENCIA, INCLUYENDO LOS COSTOS DE TRANSPORTACIÓN, SI LOS DAÑOS SE ORIGINAN POR VIOLAR LAS GARANTÍAS EXPRESAS O IMPLÍCITAS, VIOLAR EL CONTRATO, NEGLIGENCIA, E STRICTO PERJUICIO O CUALQUIER OTRA TEORÍA LEGAL.

### Renuncia de garantías implícitas:

LAS GARANTÍAS ANTERIORMENTE MENCIONADAS SON EN LUGAR DE TODAS LAS DEMÁS GARANTÍAS, EXPRESAS O IMPLÍCITAS, QUE INCLUYEN SIN QUEDAR LIMITADAS A SER SÓLO LAS GARANTÍAS IMPLÍCITAS DE COMERCIABILIDAD E IDONEIDAD PARA UN PROPÓSITO PARTICULAR.

### Sin posibilidad de ser transferida:

Esta garantía se le extiende al comprador original solamente y no es transferible.

### Sus derechos bajo la ley estatal:

Algunos estados no permiten limitaciones en cuanto a la duración de una garantía implícita o la exclusión de daños incidentales o de consecuencia, de manera que la limitación y exclusión anteriores podrían no ser válidas para usted. Esta garantía le concede derechos legales específicos, pero podría tener derecho a otros, los que varían de estado a estado.

## Patentes

Estos productos están protegidos por una de las siguientes patentes:

5,226,600	5,284,301	5,218,993	D341,872	D321,926	5,078,323
5,050,804	D331,095	5,217,168	5,655,714	5,573,371	5,558,492
5,078,322					



Technical Assistance: 1-800-292-4637  
Order Entry: 1-800-443-4500  
Fax: 1-800-525-9501

[www.spraytechinc.com](http://www.spraytechinc.com)