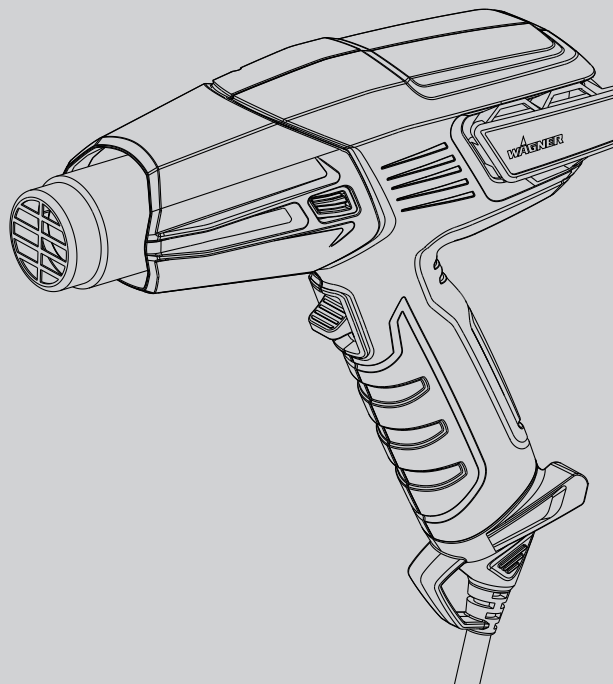


**WAGNER**

**FURNO HEAT GUN  
F300 ELECTRONIC**  
HOT AIR MULTI PURPOSE TOOL  
OWNER'S MANUAL

Model: 2363342

**GB** **AUS**



EN

..... 3 - 11



..... 12



**Important Safety Information • Read all safety information before operating the equipment.  
Save these instructions**

**To reduce the risks of fire or explosion, electrical shock and the injury to persons, read and understand all instructions included in this manual. Be familiar with the controls and proper usage of the equipment.**



**Indicates a hazardous situation which, if not avoided, could result in death or serious injury.**

**HAZARD: POISON**

Extreme care should be taken when stripping paint. The peelings, residue and vapours of paint may contain lead, which is poisonous. Any paint applied to homes before 1950 is likely to contain lead. Any paint manufactured before 1977 may contain lead. Once the paint is deposited on surfaces, hand-to-mouth contact can result in the ingestion of lead. Exposure to even low levels of lead can cause irreversible brain and nervous system damage. Young and unborn children are particularly vulnerable to lead poisoning.

Before beginning any paint removal process you should determine whether the paint you are removing contains lead. This can be done by your local health department or by a professional who uses a paint analyzer to check the lead content of the paint to be removed. Lead-based paint should only be removed by a professional and should not be removed using a Heat Gun.

**PREVENTION:**

Move the work piece outdoors, sheltered from rain. If this is not possible, keep the work area well-ventilated. Open the windows and put an exhaust fan in one of them. Be sure the fan is moving the air from inside to outside.

- Remove or cover any carpets, rugs, furniture, clothing, cooking utensils and air ducts.
- Place drop cloths in the work area to catch any paint chips or peelings. Wear protective clothing such as extra work shirts, overalls and hats.

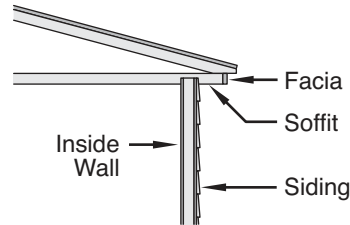
- Work in one room at a time. Furnishings should be removed or placed in the centre of the room and covered. Work areas should be sealed off from the rest of the dwelling by sealing doorways with drop cloths.
- Children, pregnant or potentially pregnant women and nursing mothers should not be present in the work area until the work is done and all cleanup is complete.
- Wear an approved dust respirator mask or a dual filter respirator mask for dust and fumes. These masks and replaceable filters are readily available at major hardware stores. Be sure that the mask fits properly. Beards and facial hair may keep masks from sealing properly. Change the filters often. Disposable paper masks are not adequate.
- Use caution when operating the Heat Gun. Keep the Heat Gun moving as excessive heat will generate fumes which can be inhaled by the operator.
- Keep food and drink out of the work area. Wash hands, arms and face and rinse mouth before eating or drinking. Do not smoke or chew gum or tobacco in the work area.
- Clean up all removed paint and dust by wet mopping the floors. Use a wet cloth to clean all walls, sills and any other surface where paint dust is clinging. Do not sweep, dry dust or vacuum. Use a high phosphate detergent of trisodium phosphate (TSP) to wash and mop areas.
- At the end of each work session, put the paint chips and debris in a double plastic bag, close it with tape or twist ties and dispose of properly.
- Remove protective clothing and work shoes in the work area to avoid carrying dust into the rest of the building. Wash work clothes separately. Wipe shoes off with a wet rag and then wash it with the work clothes. Wash hair and body thoroughly with soap and water.

**HAZARD: EXPLOSION OR FIRE**

This Heat Gun produces extremely high temperatures (as high as 600°C). It must be used with caution to prevent combustible material from igniting.

**PREVENTION:**

- Keep the Heat Gun in constant motion. Do not stop or dwell in one spot.
- Use extreme caution if the other side of the material being scraped is inaccessible, such as house siding. The hidden side could catch on fire if it becomes too hot. Some buildings contain highly flammable materials behind siding walls, floors, fascia, soffit boards and other panels. Check these areas before applying heat and do not use a heat tool if flammable materials are present or if you are unsure of the hidden material.
- Do not use near surfaces with cracks or near metal pipes or flashing. Heat may be conducted behind the work surface and ignite hidden material. The ignition of hidden materials may not be readily apparent and can result in property damage and injury.
- Do not use electric tools in the presence of flammable liquids or gases.
- Do not use near combustible materials such as dry grass, leaves, and paper which can scorch and catch fire.
- The nozzle becomes very hot. Do not lay the Heat Gun on flammable surfaces when operating the gun or immediately after switching the gun off. Always set the gun on a flat, level surface so that the nozzle tip is directed upwards and away from the supporting surface.
- Do not touch the nozzle until the tool has cooled.
- Do not use the Heat Gun as a hair dryer.
- Tools and paint scrapings become very hot. To avoid burns, use work gloves and eye protection when scraping.
- Always treat the Heat Gun with the same respect as an open flame.
- Do not use in presence of an explosive atmosphere.

**HAZARD: ELECTRIC**

May cause property damage, severe injury or loss of life.

**PREVENTION:**

- Do not disassemble the Heat Gun.
- Do not work in wet areas or expose the Heat Gun to rain or moisture.
- Guard against electric shock by preventing body contact with grounded surfaces such as pipes, radiators, ranges, aluminium ladders or other grounded devices.
- Do not abuse the cordset. Never carry the Heat Gun by the cordset or yank on the cordset to disconnect it from the power supply. Keep the cordset away from heat, oil and sharp edges. Inspect the cordset for wear or damage regularly.
- Use only extension cords rated for outdoor use. If an extension cord is damaged or otherwise unsuitable for use, replace it with a new extension cord.

**HAZARD: GENERAL**

May cause property damage or severe injury.

**PREVENTION:**

- Always disconnect the Heat Gun from the power supply when not in use. Store indoors in a dry place and out of the reach of unsupervised children.
- Keep your work area well lit and clean.
- Do not overreach, especially when working on ladders. Keep proper footing and balance at all times. Be certain any ladders being used are sturdy, stable, on firm ground and erected at safe working angles.
- Avoid power lines.
- Keep moveable items secured and steady while scraping.
- Always use protective eyewear when working.
- Stay alert and use common sense when operating any tool.
- Never use to thaw frozen pipes located inside walls or near combustibles. Always use reflector nozzle (P/N2366225) to thaw frozen pipes.
- Do not leave the heat gun unattended while it is switched on.
- This appliance can be used by children aged from 8 years and above and persons with reduced physical, sensory or mental capabilities or lack of experience and knowledge if they have been given

supervision or instruction concerning use of the appliance in a safe way and understand the hazards involved. Children shall not play with the appliance.

- Keep the appliance and its cord out of reach of children aged less than 8 years.

### MAINS CONNECTION (UK only)

This Heat Gun has been supplied with a fused cordset. This is identified by the fuse holder in the base of the plug. Please read the following safety instructions before use:

1. If the cordset is damaged replace with a new cordset to avoid a safety hazard. Please contact Wagner customer services for a replacement cordset.
2. **NEVER** under any circumstances use the Heat Gun or cordset without the fuse cover fitted. This is the little cover fixed into the base of plug to hold the fuse in place.
3. If you lose the fuse cover then please contact any electrical dealer for a replacement or ring our helpline.
4. A replacement fuse must be rated at 13 Amps. This must be manufactured and approved to BS1362.
5. **IF IN ANY DOUBT PLEASE CONSULT A QUALIFIED ELECTRICIAN.**

### MAINS CONNECTION (Non-UK)

This Heat Gun has been supplied with a cordset. If the cordset is damaged replace with a new cordset to avoid a safety hazard. Please contact Wagner customer services for a replacement cordset.

**IF IN ANY DOUBT PLEASE CONSULT A QUALIFIED ELECTRICIAN.**

**WARNING** - Use an extension cord that will accept the plug on the product. Make sure your extension cord is in good condition. When using an extension cord, be sure to use one heavy enough to carry the current your product will draw. An undersized cord will cause a drop in line voltage resulting in loss of power and overheating. A harmonised H05RR-F 3 x 1.0sq mm rubber type cord is required as a minimum for general use.

## Using the Heat Gun

### General Description

This Heat Gun is a quality power tool. Like any power tool, it can be dangerous when misused. Read the following instructions carefully and follow all safety precautions. It is the responsibility of the owner to use the Heat Gun properly.

### Specifications

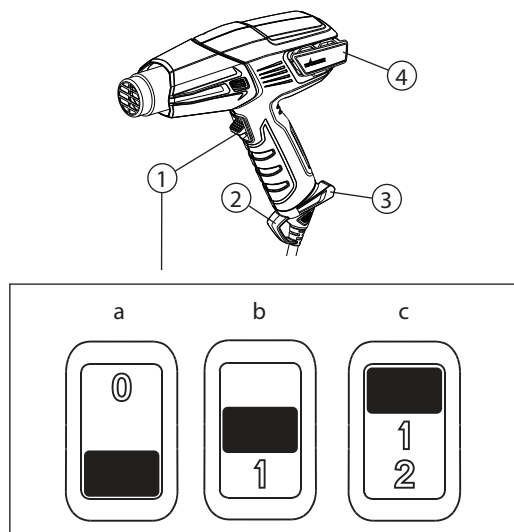
Housing	Engineered high-impact corrosion and heat-resistant polymers
Wattage	1600 Watts on HIGH, 800 Watts on LOW
Voltage	220 - 240 V a.c.
Frequency	50 - 60Hz
Heat Output	Approximately 575°C on HIGH, approximately 400°C on LOW
Weight	0.72 kg

## Component Description

### Features Fig. 1

- 1) Mode selector switch
  - a) 0 (OFF)
  - b) 1 (LOW)
  - c) 2 (HIGH)
- 2) Hanging hook
- 3) Handle stabilizers & cordset (removable with tool)
- 4) Rear stabilizer fins (stand)

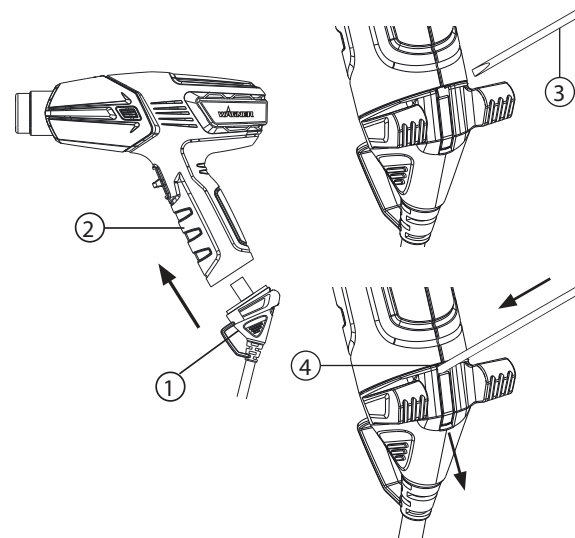
Fig 1



## Attaching the cordset

The cordset (Fig. 2, 1) for the Heat Gun is delivered detached from the gun (Fig. 2, 2). To attach, line up the cord with the socket on the handle of the gun and press firmly together until you hear a click. The cord set does not need to be removed. If required to detach, insert a small screwdriver or similar tool (Fig. 2, 3) into the hole as shown (Fig. 2, 4). Once resistance is felt on the end of the tool, apply pressure to depress the release mechanism. Firmly pull the cordset away from the gun.

Fig 2



The F300 Heat Gun is one of the most versatile tools you can own. It can be used for a great variety of projects, from big DIY to small Art & Crafts jobs. For more details on multiple projects and 'how to' videos please visit our website [www.wagner-group.com](http://www.wagner-group.com)

Use		Heat	Nozzle Tip Options
<b>DIY</b>	Stripping paint	HIGH	Concentrator or Wide
	Wall repair	LOW	Open (no tip)
	Drying paint	LOW	Open (no tip)
	Soften adhesives to remove floor tiles	LOW	Wide concentrator
	Bend plastic, plexiglass, formica	LOW/HIGH	Reflector
	Removing formica and linoleum	LOW	Wide concentrator
	Soften paint, caulking and putty for easier removal (use heat deflector)	HIGH	Concentrator or Wide concentrator
	Shrink plastic film for wrapping or weatherproofing	LOW	Wide concentrator
<b>Small jobs (including repair)</b>	Loosen rusted nuts, bolts and fittings	HIGH	Open/ concentrator
	Repairing jeans	LOW	Wide concentrator
	Burning weeds	HIGH	Concentrator
	Removing adhesives	LOW	Open (no tip)
	Waxing skis/snowboard	LOW	Wide concentrator
	Glass fibre work	HIGH	Concentrator or wide

Use		Heat	Nozzle Tip Options
	Unfreezing pipes and locks	LOW	Reflector / open (no tip)
	Lighting a bbq grill	HIGH	Concentrator / BBQ Nozzle
	Heat concrete prior to patching	LOW/HIGH	Concentrator
	Defrosting refrigerator / freezer	LOW	Open (no tip)
	<b>Art &amp; Crafts</b>	Making candles	LOW
Making soap		LOW	Open (no tip)
Shrink wrapping presents		LOW	Open (no tip)
Forming foam		LOW	Open (no tip)
Cookie decoration		LOW/HIGH	Open (no tip)
<b>Automotive</b>		Removing stickers, emblems and decals	LOW
	Removing dents	HIGH	Open (no tip)
	Removing paint	HIGH	Concentrator or Wide
	Applying and removing window tint	LOW	Open (no tip)
	Restoring bumpers	HIGH	Open (no tip)
<b>Electronics</b>	Smartphone & tablet repair	LOW	Concentrator
	PlayStation and Xbox repair	LOW	Concentrator

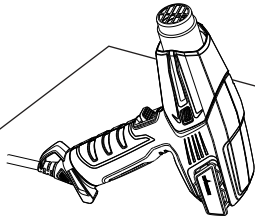
**!** Always read the safety information included in this manual before using the Heat Gun.

1. Plug the Heat Gun into a standard socket-outlet.
2. Turn on the Heat Gun by moving the switch to the desired setting. The motor-driven fan noise will indicate that the Heat Gun is running.
3. Always disconnect Heat Gun from the power supply at completion of task.

### Hands-free operation

The Heat Gun has an integrated stand (Fig. 3) for bench top applications and for cooling down.

Fig 3



**Note:** Smoke may appear during the first start up due to the burning of manufacturing oils. The smoke should disperse shortly after first start up.

**IMPORTANT:** If the motor-driven fan in the Heat Gun does not turn on when the switch is set to either LOW or HIGH, turn the switch OFF immediately. The heating element will burn out if it is not cooled by the motor-driven fan.

**Note:** Always set the Heat Gun upright after it is turned off, either for a short break or for storage. Avoid laying the unit on the side after shutdown. The heat will remain in the unit and cooling will take longer. Store the unit only after the nozzle is cool. Unplug the unit before storing to prevent accidental startup.

**IMPORTANT:** Always protect glass when working near windows.

**!** Do not touch nozzle or any other tool being used when working. These become extremely hot and will cause severe burns. Wear gloves to protect hands from hot scrapings.

### Stripping Paint

The Heat Gun heats up the surface and causes the paint to soften, at which time it can be scraped off easily without damaging the surface. Some paints may soften even though they do not blister; some may become rubbery, and some may require higher heat.

When working with several layers of paint, it speeds up the scraping process to heat the surface thoroughly, all the way to the wood. Then all the layers can be scraped at one time.

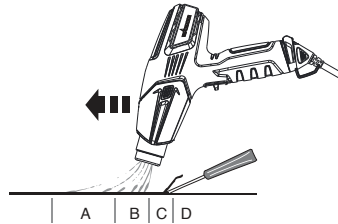
A soft wire brush may be the best tool to use for very intricate surfaces. Mineral paints and finishes, such as cement paint and porcelain, do not soften with heat, so using a heating tool will not work for paint removal.



### The best method of paint removal

Move the Heat Gun slowly and steadily forward at an angle to the surface, pointing the nozzle in the direction of motion. This allows you to scrape safely outside the hot air stream and keeps the scraper and the scraped surface cooler.

- A. Warm air preheats the surface.
- B. Paint is softened by hot air.
- A + B. Deep penetration of heat over total area.
- C. Paint can be easily scraped off as soon as it is softened and the gun is moved forward.
- D. Stripped surface allowed to cool.



**Note:** Do not use the Heat Gun on surfaces that can be damaged by heat, such as vinyl-coated paneling, vinyl-coated siding or vinyl-coated window frames.

When removing paint from window frames, the Heat Gun will soften the putty. Be careful not to gouge the putty with the scraper. The putty will firm up after it cools.

Do not use the Heat Gun on insulating laminated window glass such as Thermopane. The glass edge expansion may break the edge seal.

When scraping fascia, do not overheat the edges of the asphalt shingles protruding over the edge of the sheathing. Too much heat will melt the asphalt.

**IMPORTANT:** The removal of paint by a Heat Gun is safe if the above guidelines are used, but always keep either a container of water or an ABC fire extinguisher (suitable against Class A, B and C type fires) within reach.

### Cleaning and Maintenance

Keep the intake openings on the housing clean and free of obstructions. Use a soft, dry brush to clean the openings periodically. Use only mild soap and a damp cloth to clean the Heat Gun. Many household cleaners contain chemicals which could seriously damage the housing.

Do not use petroleum, turpentine, lacquer or paint thinner, dry cleaning fluids or similar products when cleaning the Heat Gun.

**NEVER** allow any liquid to get inside the tool or immerse any part of the tool into a liquid.

Cleaning and user maintenance shall not be made by children unless they are older than 8 years and supervised.

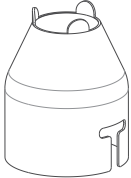
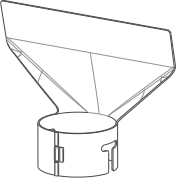
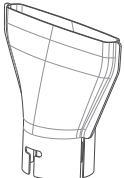

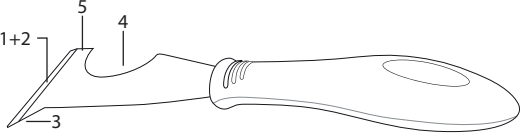
### Storage

Allow the Heat Gun nozzle to cool to room temperature before placing in storage.

The nozzle will turn dark over time because of the high heat. This is normal and will not affect the performance or life of the unit.

## Accessories

The following accessories may come with the Heat Gun or may be purchased separately [www.wagner-group.com/service](http://www.wagner-group.com/service). Alternatively see back of manual for your nearest Service Centre.

Name	Description	Name	Description
Concentrator Nozzle P/N2366222		Glass Protection Nozzle P/N2366224	
Wide Concentrator Nozzle P/N2366223		Reflector Nozzle P/N2366225	
Name	Description		
	5-in-1 Detailed Scraper Tool P/N2366227		
	This tool has 5 functions. The blade is used to (1) scrape paint and (2) spread compound. The gouge point (3) is used to remove putty/caulk from open cracks. The curved area (4) is used to clean roller covers. The flat side (5) can be used to open paint tins.		

**IMPORTANT: Always use gloves when handling the Heat Gun.**

### To attach an optional item to the Heat Gun:

1. Set the Heat Gun upright on a level surface and wait until the tip is cool.
2. Set the item onto the tip of the Heat Gun and push firmly into place by hand.

### To remove an optional item from the Heat Gun:

1. Set the Heat Gun upright on a level surface and wait until the tip is cool.
2. Pull the item off the tip.

## Product Registration

Register your product online at [www.wagner-group.com/3plus1](http://www.wagner-group.com/3plus1) to qualify for your additional 1 year guarantee.

### 3+1 years guarantee

The guarantee runs for three years, counting from the date of sale (sales slip). The guarantee is extended by a further 12 months if the device is registered online within 4 weeks of the purchase at [www.wagner-group.com/3plus1](http://www.wagner-group.com/3plus1). Registration is only possible if the buyer is in agreement with the data being stored that is entered during registration. The guarantee covers and is restricted to free-of-charge rectification of faults which are demonstrably attributable to the use of faulty materials in manufacture, or assembly errors; or free-of-charge replacement of the defective parts. The guarantee does not cover incorrect use or commissioning or fitting or repair work which is not stated in our operating instructions. Wearing parts are also excluded from the guarantee. The guarantee excludes commercial use. We expressly reserve the right to fulfil the guarantee. The guarantee expires if the tool is opened up by persons other than wagner service personnel. Transport damage, maintenance work and loss and damage due to faulty maintenance work are not covered by the guarantee. Under any guarantee claim, there must be proof of purchase of the tool through submission of the original receipt. Wherever legally possible, we exclude all liability for injury, damage or consequential loss, especially if the tool has been used for a purpose other than that stated in the operating instructions, commissioned or repaired other than in accordance with our operating instructions or if repairs are performed by someone who is unqualified. We reserve the right to perform any repairs in excess of those stated in our operating instructions. In case of guarantee or repair, please refer to your point of sale. This guarantee does not affect your statutory rights.

## INFORMATION ON THE DISPOSAL OF WASTE ELECTRICAL AND ELECTRONIC EQUIPMENT KNOWN AS WEEE

Your attention is brought to new directives applicable to the disposal of this electrical equipment where, in accordance with legislation, this product must not be disposed of in your normal household waste. Instead it is your responsibility to dispose of this type of waste by handing it over to special designated collection points for recovery and recycling. This product is marked with a 'Wheeler bin' symbol with a cross on it to remind you of this action. The objective of this directive is to help conserve resources and ensure that it is recycled in a manner that protects human health and the environment. For more information about where you can drop off your waste please contact your local authority, take back facilities are free of charge.



## CE Declaration of Conformity

This product complies with the Low Voltage Directive 2014/35/EU, EMC Directive 2014/30/EU, RoHS Directive 2011/65/EU and REACH Regulation 1907/2006.

**DE J. WAGNER GMBH**  
Otto-Lilienthal-Str. 18  
D-88677 Markdorf  
T +49 0180 - 55 92 46 37  
F +49 075 44 - 05 11 69

**FR WAGNER FRANCE S.A.R.L.**  
12 Avenue des Tropiques  
Z.A. de Courtaboeuf  
F-91978 Les Ulis Cedex  
T +33 0825 011 111  
F +33 (0) 1 69 81 72 57

**DK ORKLA HOUSE CARE DANMARK A/S**  
Stationsvej 13  
3550 Slangerup  
DK-Danmark  
T +45 47 33 74 00  
F +45 47 33 74 01

**SE ORKLA HOUSE CARE AB**  
Box 133  
564 23 Bankeryd  
SV-Sweden  
T +46(0)36 37 63 00

**SK E-CORECO SK S.R.O.**  
Kráľovská ulica 8/7133  
SK-927 01 Šaľa  
T +42 1948882850  
F +42 13 13700077

**GB WAGNER SPRAYTECH (UK) LTD**  
Opus Park  
Moorfield Road  
Guildford, Surrey, GU1 15Z  
T +44 (0) 1483 454666  
F +44 (0) 1483 454548

**NO ORKLA HOUSE CARE NORGE AS**  
Nedre Skøyen vei 26,  
PO Box 423, Skøyen  
N-0213 Oslo  
T +47 22 54 40 19

**RO ROMIB S.R.L.**  
str. Poligonului nr. 5 - 7  
ROM-100070 Ploiesti ,judet Prahova  
T +40-344801240  
F +40-344801239

**CZ E-CORECO S.R.O.**  
Na Roudné 102  
CZ-301 00 Plzeň  
T +42 734 792 823  
F +42 227 077 364

**HU HONDIMPEX KFT.**  
Kossuth L. u. 48-50  
H-8060 Mór  
T +36 (-22) - 407 321  
F +36 (-22) - 407 852

**PL PUT WAGNER SERVICE**  
ul. E. Imieli 27  
PL-41-605 Swietochlowice  
T +48 32 - 346 37 10  
F +48 32 - 346 37 13

**CH J. WAGNER AG**  
Industriestraße 22  
CH-9450 Altstätten  
T +41 71 - 7 57 22 11  
F +41 71 - 7 57 23 23

**AU WAGNER SPRAYTECH AUSTRALIA PTY. LTD.,**  
14-16 Kevlar Close  
AUS-Braeside, VIC 3195  
T +61 3 95 87 - 20 00  
F +61 3 95 80 - 91 20

**ES MAKIMPORT HERRAMIENTAS, S.L.**  
C/ Méjico nº 6  
Pol. El Descubrimiento  
E-28806 Alcalá de Henares  
(Madrid)  
T 902 199 021 / 91 879 72 00  
F 91 883 19 59

**PT**

Irrtümer und Änderungen vorbehalten.  
Not responsible for errors and changes.  
Sous réserves d'erreurs et de modifications.  
Fouten en wijzigingen voorbehouden.

Material No. 2366234  
06/2016  
© Copyright by J.Wagner GmbH