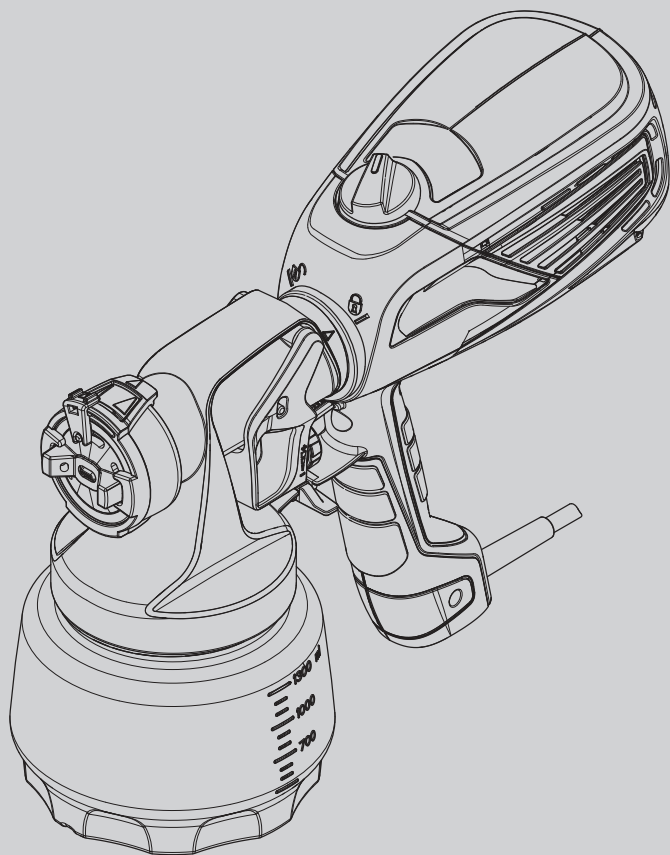


WAGNER

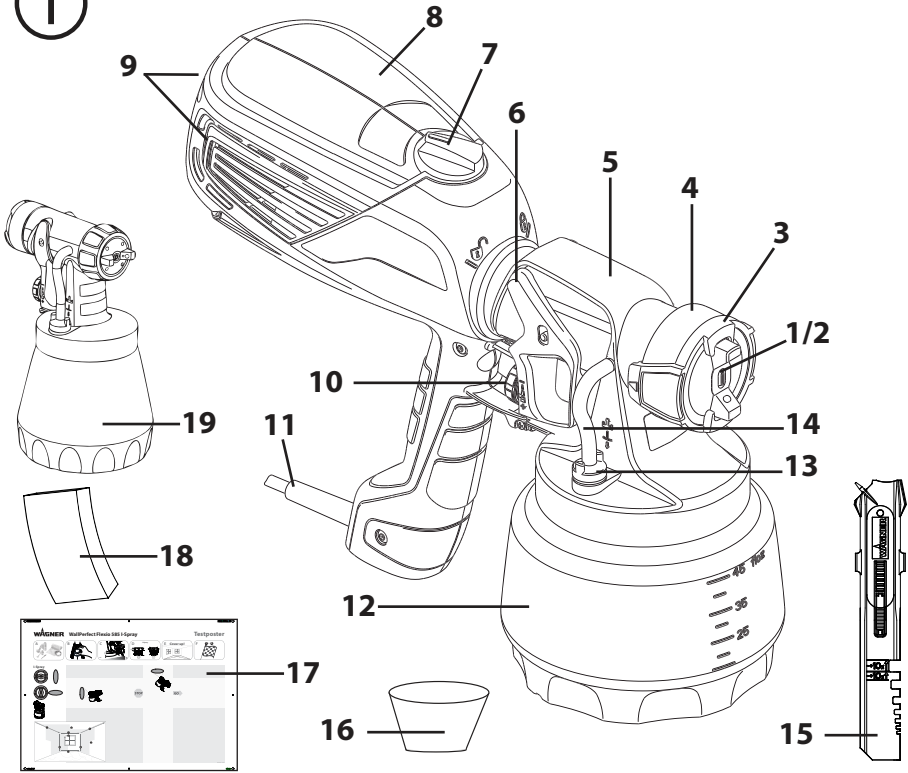


**UNIVERSAL SPRAYER
W 570 FLEXIO
ORIGINAL-
BETRIEBSANLEITUNG**

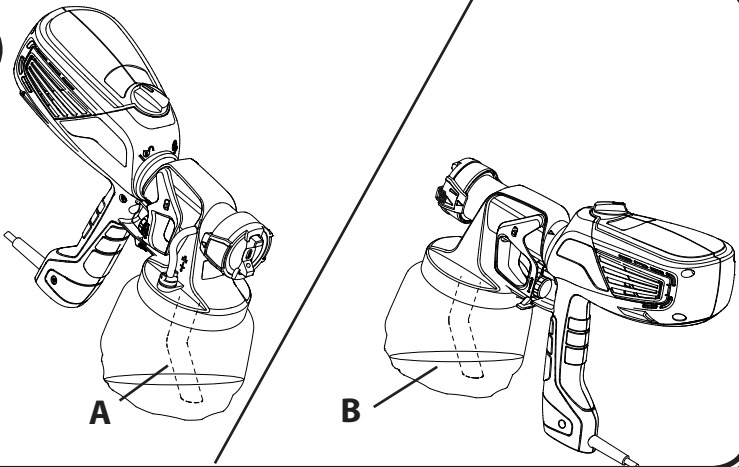


1

ÜBERSICHT / OVERVIEW / APERÇU GÉNÉRAL / OVERZICHT

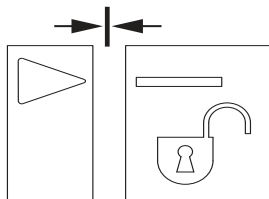
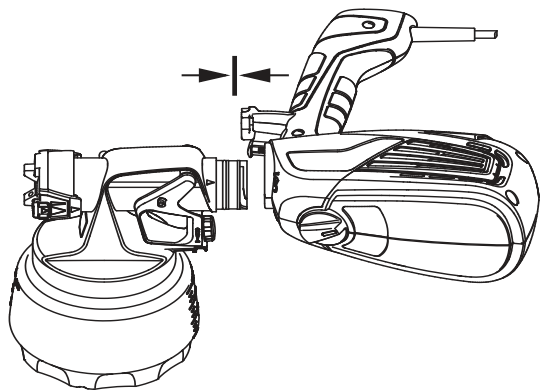


2

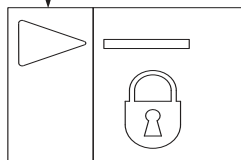
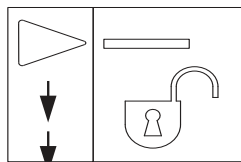
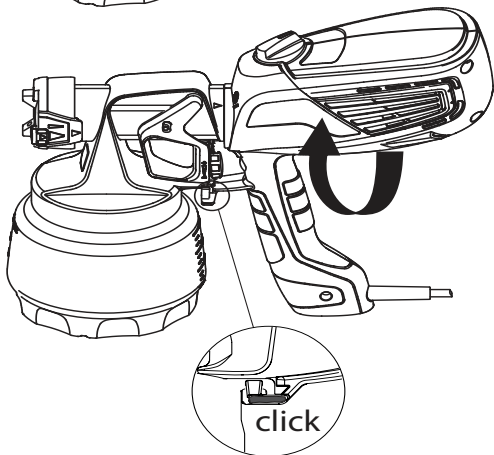


3

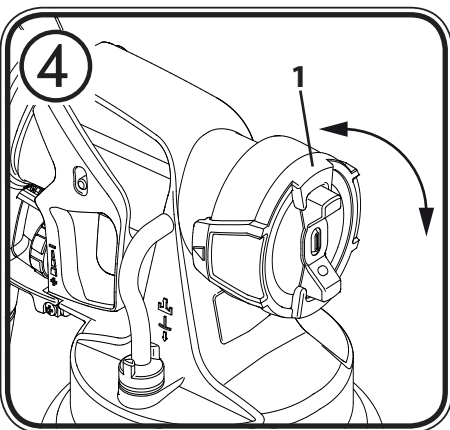
a



b



4

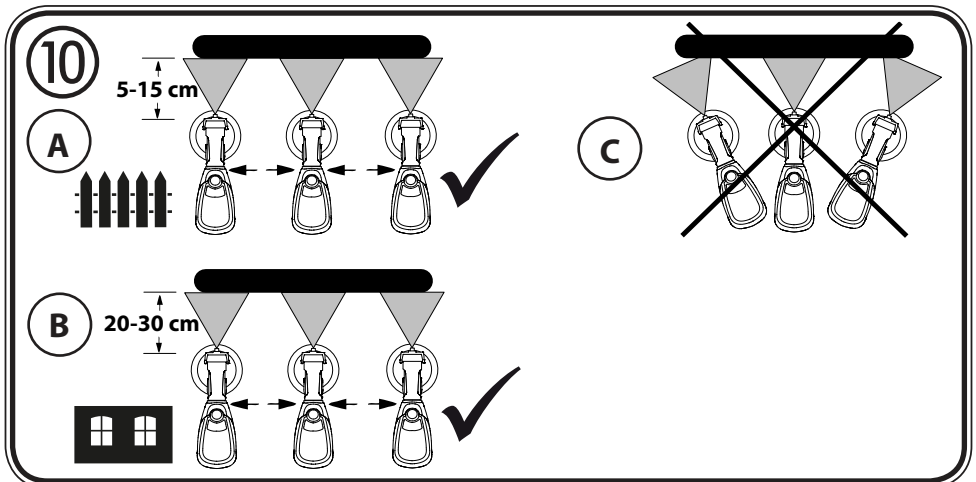
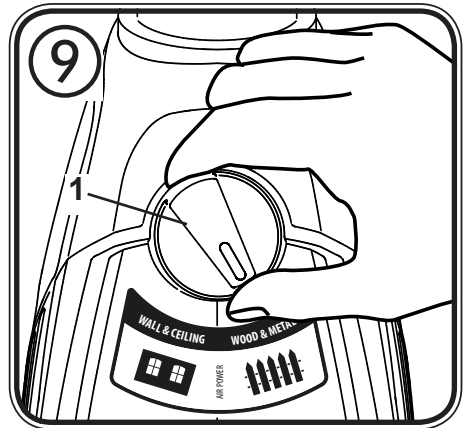
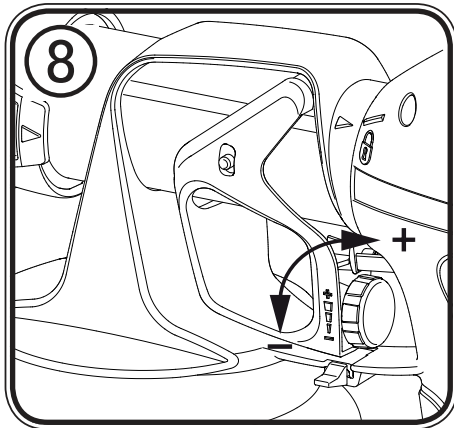
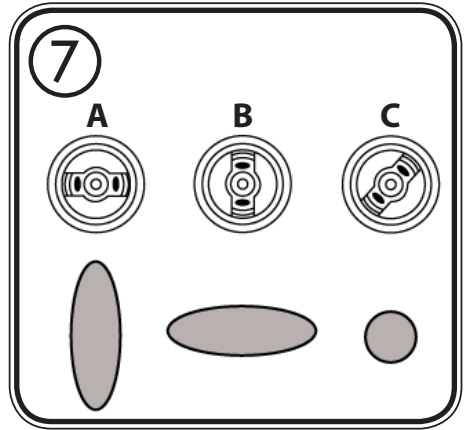
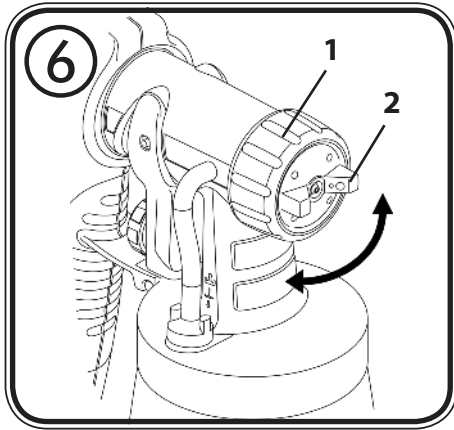


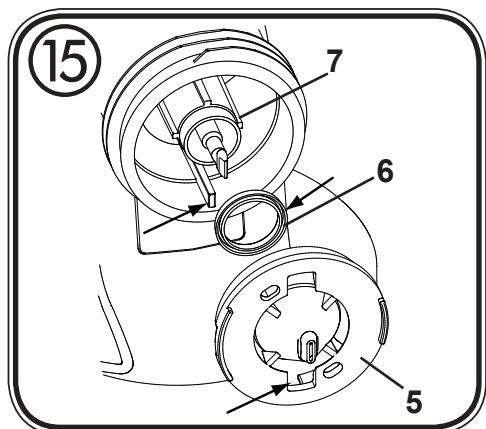
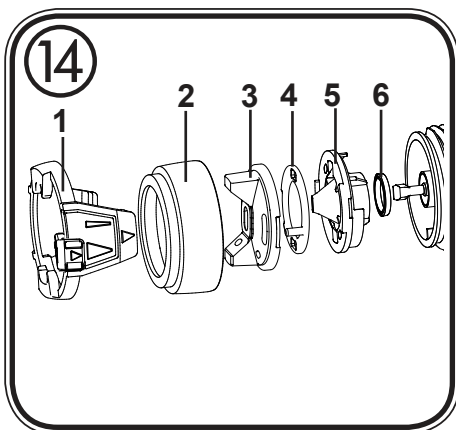
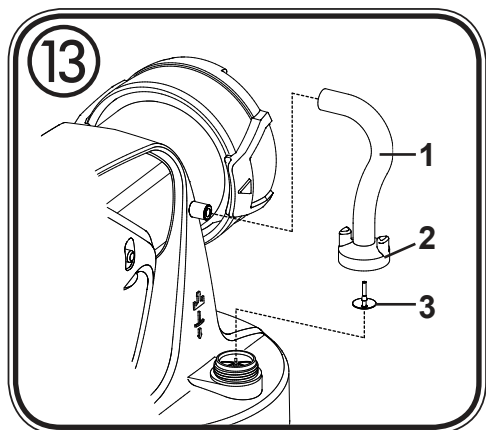
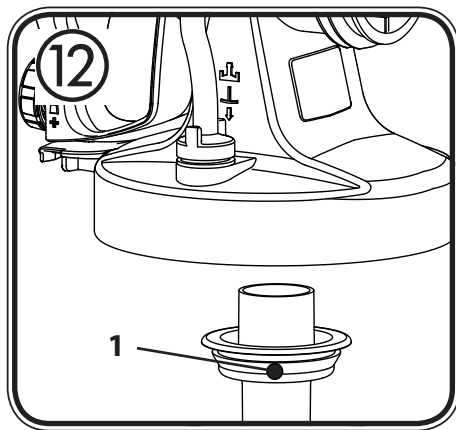
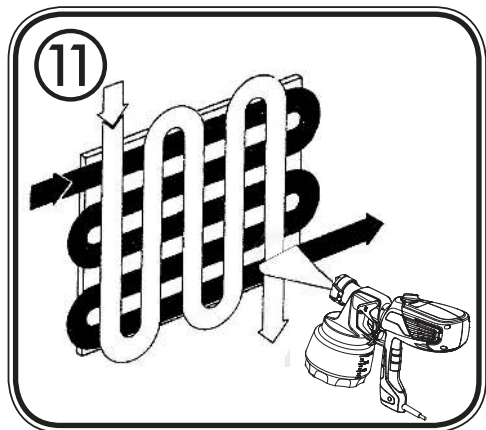
5

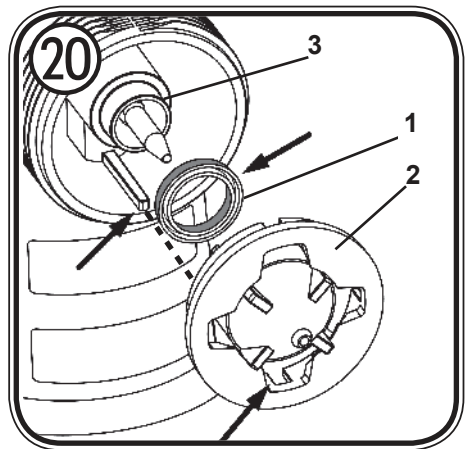
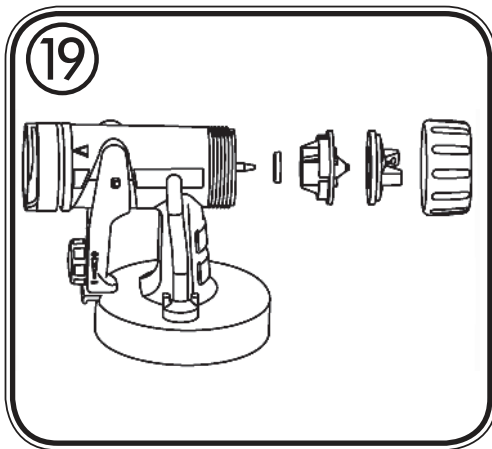
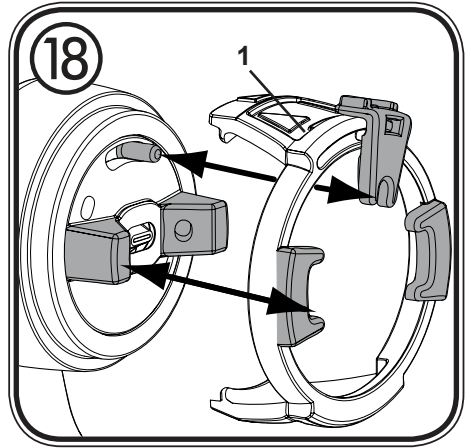
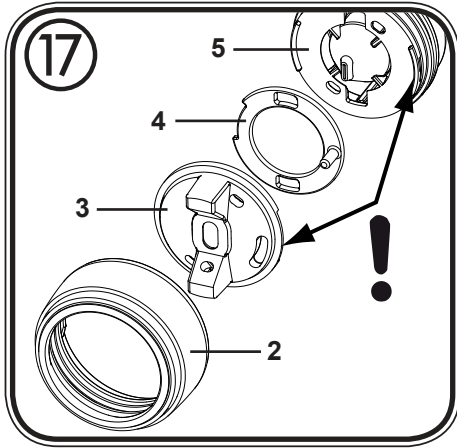
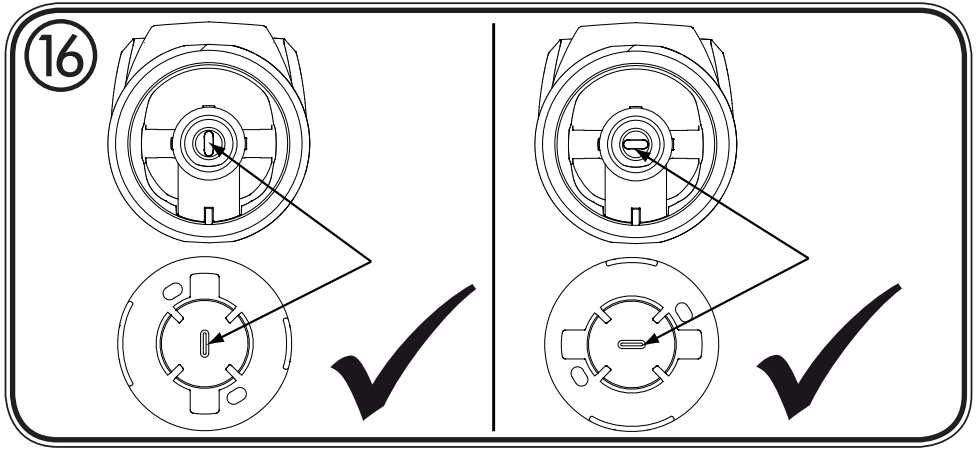


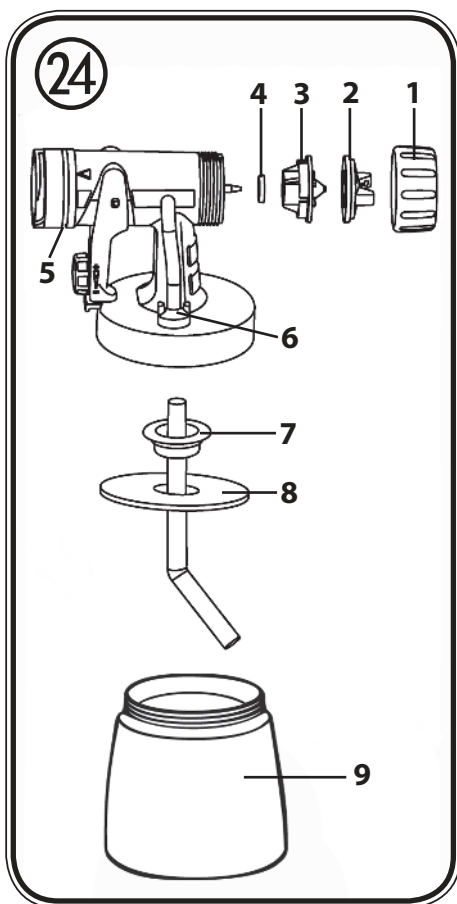
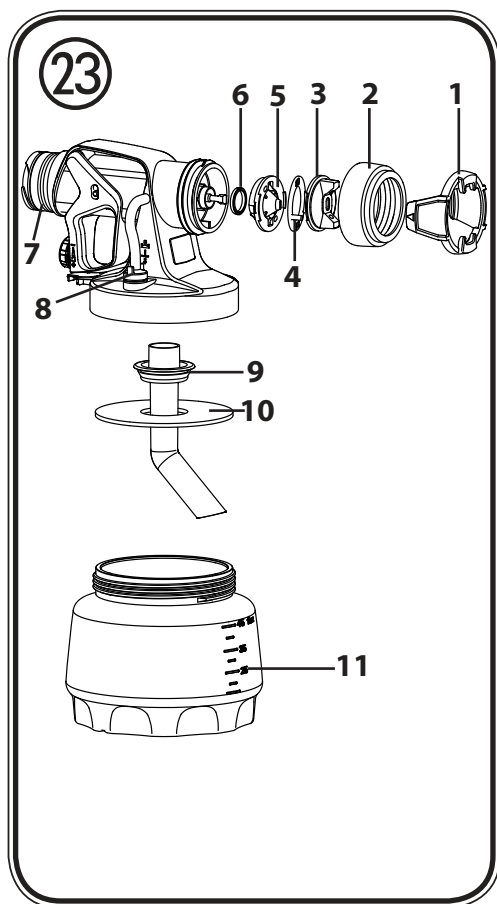
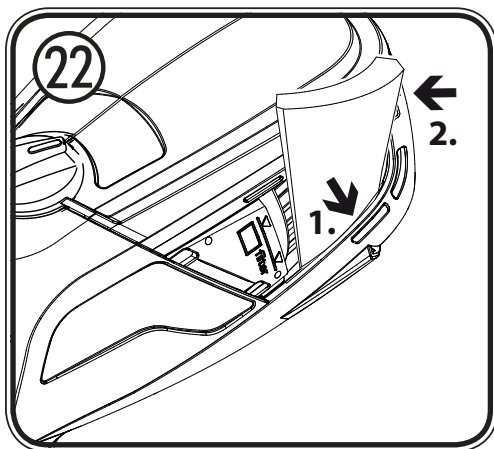
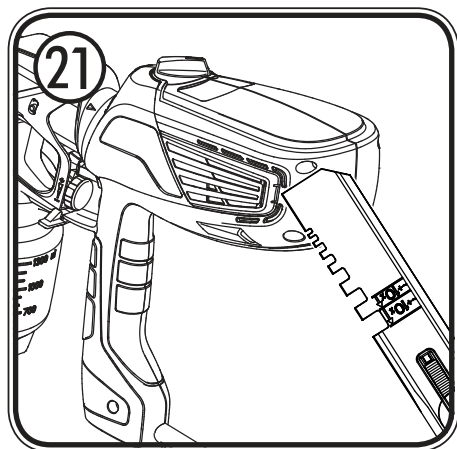
B





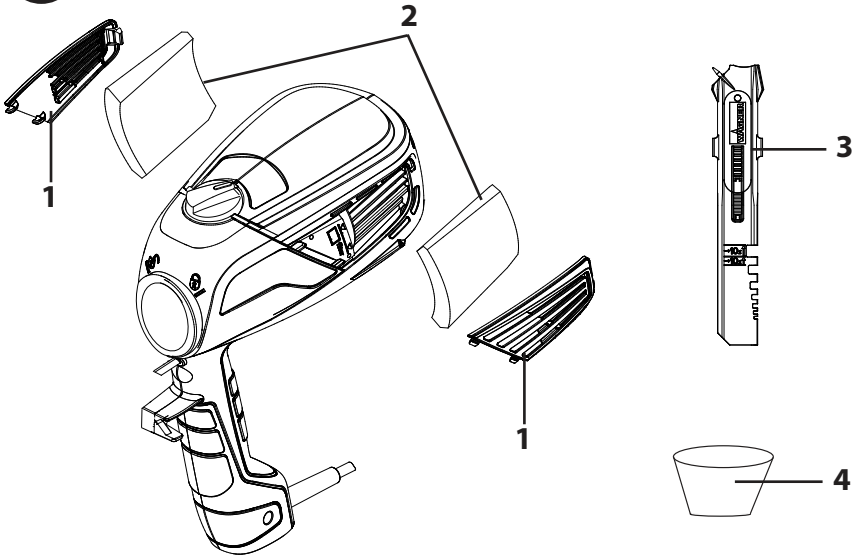






25

ERSATZTEILE / SPARE PARTS / PIÈCES DE RECHANGE / ONDERDELEN



D

.....1 - 19

GB

.....20 - 38

F

.....39 - 57

NL

.....58 - 76



..... 78

Fragen? · Questions? · Des questions? · Vragen?



Translation of the original operating instructions

MANY THANKS FOR PLACING YOUR TRUST IN US

We would like to congratulate you on purchasing this brand product from Wagner; we are sure that you will enjoy working with it greatly.

Please read the Operating Manual carefully and observe the safety information before starting the device. Store the Operating Manual in a safe place close to the product in case it needs to be used by someone else.






We would be happy to be of assistance if you have any questions, suggestions or requests. Please contact us via the phone number included on the back page or via our homepage, www.wagner-group.com/service.

Contents

1. Explanation of symbols used	21
2. General Safety Instructions	21
3. Safety Instructions for Spray Guns	24
4. Description/ Scope of delivery	25
5. Field of application	25
6. Coating Materials Suitable for Use	25
7. Coating Materials Not Suitable for Use.....	26
8. Preparation of the workplace (for interior wall paint)	26
9. Preparation of the Coating Material	26
10. Start-up	27
11. Selecting the Spray Setting (Wall Extra I-Spray spray attachment)	27
12. Selecting the Spray Setting (Standard spray attachment)	28
13. Adjusting the Material Volume (Fig. 8).....	28
14. Setting the Amount of Air (Fig. 9).....	28
15. Spray Technique.....	29
16. Interruption of Work.....	29
17. Taking Out of Operation and Cleaning.....	30
18. Cleaning the Wall Extra I-Spray spray attachment	30
19. Cleaning the Standard spray attachment	31
20. Maintenance	32
21. Spare Parts	33
22. Accessories.....	34
23. Correction of Malfunctions.....	34
24. Technical Data.....	35
25. Environmental protection.....	36

26. Important Note regarding Product Liability!	36
3+1 years guarantee	37
CE Declaration of Conformity	77

1. Explanation of symbols used

	This symbol indicates a potential danger for you or for the device. Under this symbol you can find important information on how to avoid injuries and damage to the device.
	Danger of electrical shock
	Indicates tips for use and other particularly useful information.
	Devices and accessories marked with this symbol are suitable for processing low-viscosity materials such as paints, glazes and wall paints specifically designed for this purpose. If a material bears this logo, it is particularly well suited for use with the relevant device.
	Devices and accessories marked with this symbol are suitable for processing high-viscosity materials such as e.g. interior wall paints (dispersions and latex paints). If a material bears this logo, it is particularly well suited for use with the relevant device.

2. General Safety Instructions

WARNING! *Read all safety notifications and instructions. Failure to comply with the safety notifications and instructions provided may result in electric shock, fire and/or serious injury. Save all warnings and instructions for future reference.*



The term "power tool" used below covers both mains-operated power tools (with mains lead) and accumulator-operated power tools (without mains lead).

1. Safety at the workplace

- Keep your workplace clean and well lit.** *Disorder or unlit workplaces may result in accidents.*
- Never use the tool in hazardous areas that contain flammable liquids, gases or dusts.** *Power tools generate sparks that can ignite the dust or vapors.*
- Keep children and other persons away when using the power tool.** *You can lose control of the tool if you are distracted.*

2. Electrical Safety

- a) **The tool plug must fit into the socket. The plug may not be modified in any form. Do not use adaptor plugs together with protective-earthed tools.** *Unmodified plugs and suitable sockets reduce the risk of an electric shock.*
- b) **Avoid physical contact with earthed surfaces such as pipes, heating elements, stoves and refrigerators.** *The risk through electric shock increases if your body is earthed.*
- c) **Keep the equipment away from rain and moisture.** *The risk of an electric shock increases if water penetrates electrical equipment.*
- d) **Do not misuse the mains lead by carrying the tool by the lead, hanging it from the lead or by pulling on the lead to remove the plug. Keep the lead away from heat, oil, sharp edges or moving tool parts.** *Damaged or twisted leads increase the risk of an electric shock.*
- e) **If you work outdoors with a power tool, only use extension cables suitable for outdoor use.** *The use of an extension lead that is suitable for outdoors reduces the risk of an electric shock.*
- f) **If you cannot avoid using the tool in a damp environment, use a residual current operated circuit-breaker.** *Using a residual current operated circuit-breaker avoids the risk of electric shock.*

3. Safety of Persons

- a) **Be attentive. Pay attention to what you are doing and work sensibly with a power tool. Do not use the tool if you are tired or under the influence of drugs, alcohol or medication.** *Just a moment of inattentiveness while using the tool can lead to serious injuries.*
- b) **Wear personal safety equipment and always wear safety goggles** *Wearing personal protective equipment, such as dust mask, non-slip safety shoes, safety helm or ear protection, depending on the type of power tools, reduces the risk of injury.*
- c) **Avoid accidental starting-up. Make sure that the electric tool is switched off before you connect it to the power supply, pick it up or carry it.** *Accidents can occur if you carry the power tool while your finger is on the switch or if you connect the power tool to the power supply which it is on.*
- d) **Remove setting tools or wrenches before switching on the power tool.** *A tool or wrench that is in a rotating tool part can lead to injuries.*

- e) **Avoid an unnatural posture. Ensure that you are standing securely and have your balance at all times.** *This ensures that you can control the tool better in unexpected situations.*
- f) **Wear suitable clothing. Do not wear wide clothing or jewellery. Keep your hair, clothes and gloves away from moving parts.** *Loose clothing, jewellery or long hair can be caught in moving parts.*

4. Usage and treatment of the electric tool

- a) **Do not overload the tool. Use the power tool designed for the work that you are doing.** *You work better and safer in the specified performance range if you use the suitable power tool.*
- b) **Do not use power tools whose switch is defective.** *A power tool that cannot be switched on or off is dangerous and has to be repaired.*
- c) **Remove the plug from the socket before carrying out tool settings, changing accessories or putting the tool away.** *This precautionary measure prevents unintentional starting of the tool.*
- d) **Store unused power tools so that they are inaccessible to children. Do not let persons use the tool who are not familiar with it or who have not read these instructions.** *Power tools are dangerous when they are used by inexperienced persons.*
- e) **Take proper care of your tools. Check whether the moving parts function trouble-free and do not jam, whether parts are broken or damaged so that the tool function is impaired. Have damaged parts repaired before using the tool.** *Many accidents have their origin in power tools that have been maintained badly.*
- f) **Use the power tool, accessories, insert tools, etc. in accordance with these instructions and in a fashion specified for this special tool type. Take the working conditions and the activity to be carried out into consideration.** *The use of power tools for purposes other than the intended ones can lead to dangerous situations.*

5. Service

- a) **Have your tool repaired only by qualified specialist personnel and only with original spare parts.** *This ensures that the tool safety is maintained.*
- b) **If the supply cord is damaged, it must be replaced by the manufacturer or its service agent or a similarly qualified person in order to avoid a safety hazard.**

3. Safety Instructions for Spray Guns

- **Caution!** Wear breathing equipment: Paint mist and solvent vapors are damaging to health. Always wear breathing equipment and only work in well ventilated rooms or using supplementary ventilating equipment. It is advisable to wear working clothing, safety glasses, ear protection and gloves.



CAUTION: DANGER OF INJURY!

Never point the spray stream towards human beings or animals.



Sockets and plugs must be masked. Risk of an electric shock as a consequence of sprayed material entering the socket!



Attention! Never operate the device if the nozzle seal is either damaged or missing. If the nozzle seal is either missing or damaged liquids can enter the device and increase the risk of an electric shock. Check the nozzle seal before each use.

- Do not use the spray guns to spray flammable substances.
- The spray guns are not to be cleaned with flammable solvents.
- Caution against dangers that can arise from the sprayed substance and observe the text and information on the containers or the specifications given by the substance manufacturer.
- Do not spray any liquid of unknown hazard potential.
- The device may not be used in workplaces covered by the explosion-protection regulations.
- To avoid the hazard of explosion when spraying, provide for effective natural or artificial ventilation.
- There must be no sources of ignition such as, for example, open fires, smoke of lit cigarettes, cigars and tobacco pipes, sparks, glowing wires, hot surfaces, etc. in the vicinity during spraying.
- When working with the W 570 indoors as well as outdoors ensure that no solvent vapors are sucked in by the spray gun.
- The spray gun is not a toy; children must therefore not be allowed to handle it or play with it.
- Before working on the spray gun remove the power plug from the socket.
- Cover areas that are **not** to be sprayed. When working keep in mind that wind, for example, may transport paint mist over great distances and cause damage.
- Never open the device yourself in order to carry out repairs in the electrical system!
- The units may only be used with a functional valve. **If paints rises in the ventilating hose (Fig. 1, item 14) do not operate the unit further!** Dismantle and clean the ventilating hose, valve and diaphragm and replace the diaphragm if necessary.
- **Do not lay the spray gun.**

With original WAGNER accessories and spare parts, you have the guarantee that all safety regulations are fulfilled.

4. Description/ Scope of delivery

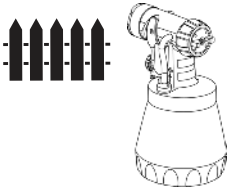

Description/ Scope of delivery (Fig. 1)	
1) Air cap	2) Nozzle
3) Spray jet adjustment ring	4) Union nut
5) Wall Extra I-Spray spray attachment	6) Trigger
7) Air volume control	8) Spray gun rear part
9) Air filter cover (right + left)	10) Material volume adjustment
11) Mains lead	12) Container
13) Valve	14) Ventilating hose
15) Stirring rod	16) Feed hopper (2 pcs.)
17) Practice poster	18) Replacement air filter (2 pcs.)
19) Standard spray attachment	20) Replacement nozzle seal*
21) Lubricating grease*	

* This is inside the container: remove it before starting operations!

5. Field of application

Many different coating substances can be processed with the W 570.

A different spray attachment must be used, depending on the coating substance:

Coating Materials	Spray attachment
Low-viscosity coating substances: Water- and solvent-based paints, finishes, primers, 2-component paints, clear finishes, automotive finishes, staining sealers and wood sealer-preservatives. All coating materials with the red Perfect Spray logo	Standard 
Interior wall paint (dispersions and latex paint) All coating materials with the green Perfect Spray logo	Wall Extra I-Spray 

6. Coating Materials Suitable for Use

Interior wall paint (dispersions and latex paint)

Water- and solvent-based paints, finishes, primers, 2-component paints, clear finishes, automotive finishes, staining sealers and wood sealer-preservatives.

7. Coating Materials Not Suitable for Use

Materials that contain highly abrasive components, plaster, facade paint, caustic solutions and acidic coating substances. Flammable materials.

8. Preparation of the workplace (for interior wall paint)



Sockets and plugs must be masked. Risk of an electric shock as a consequence of sprayed material entering the socket!



Mask all the areas and objects that are not to be spray painted, or remove them from the work area. No liability is assumed for damage due to overspray. Silicate paint corrodes glass and ceramic surfaces upon contact! All such surfaces must therefore be completely covered.



Pay attention to the quality of the adhesive tape used.

Do not use excessively strong adhesive tape on wallpaper and painted surfaces, in order to avoid damaging these surfaces when removing the tape. Remove adhesive tape slowly and evenly; do not use jerky movements. Do not leave adhesive tape on surfaces any longer than necessary, in order to minimise the possibility of residues when removing.

Also observe the adhesive tape manufacturer's instructions.

9. Preparation of the Coating Material

- Mix the material well in the original container. When using interior wall paint, an agitator is recommended.



W 570 has been developed for use with all conventional paints in their undiluted form. If the surface is smooth and the paint you are using is very thick and gel-like, dilute it by 10%. Dilution can be necessary if the atomisation is coarse or if the flow rate is too low even at the maximum setting.

Detailed information about the various materials and the maximum permitted dilution can be found on the manufacturers' technical data sheets (e.g. available on the Internet).



Spray material that is at least at room temperature provides a better spray result.

10. Start-up

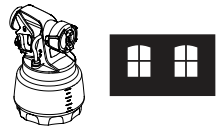
Before connecting to the mains supply, be sure that the supply voltage is identical with the value given on the rating plate.

- Unscrew the container from the spray gun.
- Aligning suction tube. (Fig. 2)
If the suction tube is positioned correctly, the container contents can be sprayed without almost any residue.
When working on lying objects: Turn the suction tube forwards. (Fig. 2 A)
Spraying work when working on overhead objects: Turn the suction tube rearwards. (Fig. 2 B)
- Place the container on a paper base and pour in the prepared coating substance with the aid of the feed hopper included in the scope of supply (Fig. 1, 16). Screw the container tightly onto the spray gun.
- Connect the front part with the rear part of the gun (Fig. 3).
- Put the machine down only on a level, clean surface. Otherwise the machine could tip over!
- Pull the trigger. The W 570 has a two-stage trigger. In the first stage the turbine is started. If the trigger guard is pressed further, the material is transported.
- Adjust the spray setting on the spray gun.



The enclosed practice poster is ideal for familiarising yourself with operation of the spray gun. After trying out the first spray coatings, it makes sense to test it further on cardboard or a similar surface in order to find out the right flow rate of paint and air for the best spray pattern. Detailed information about these settings can be found in chapter 11-14.

11. Selecting the Spray Setting (Wall Extra I-Spray spray attachment)



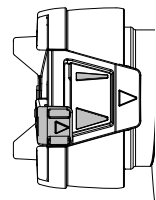
WARNING! Danger of injury! Never pull the trigger guard while adjusting the air cap.

2 different spray jet shapes can be set by turning the adjustment ring (fig. 4, 1)

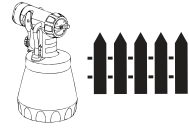
Fig. 5 A = vertical flat jet → for horizontal surfaces

Fig. 5 B = horizontal flat jet → for vertical surfaces

Use the red adjustment lever to also switch between a wide (▷) and a narrow (▷) spray jet.



12. Selecting the Spray Setting (Standard spray attachment)



WARNING! Danger of injury! Never pull the trigger guard while adjusting the air cap.

With the union nut (fig. 6, 1) slightly unscrewed, turn the air cap (2) to the desired spraysetting position (arrow). Then tighten the union nut.

Fig. 7 A = vertical flat jet → for horizontal surfaces

Fig. 7 B = horizontal flat jet → for vertical surfaces

Fig. 7 C = circular jet → for corners, edges and hard-to-reach surfaces

13. Adjusting the Material Volume (Fig. 8)

Set the material volume by turning the regulator on the trigger guard of the spray gun.

lower material volume → turn anti-clockwise (-)

higher material volume → turn clockwise (+)

14. Setting the Amount of Air (Fig. 9)



Depending on the viscosity of the material to be sprayed and the finish of the object to be coated, it may be advisable to vary the amount of air. Very low viscosity materials, such as watery glazes do not have to be atomised with the maximum amount of air. In this case it is advisable to reduce the amount of air and thus minimize the spray vapour.

This also applies for the use of the Detail and Corner&Reach spray attachment (accessory).

Turn the air quantity regulator (fig. 9.1) to the required position.

thin paint → Wood & Metal 

thick paint (e.g. interior wall paint) → Wall & Ceiling 

15. Spray Technique



The spray result depends heavily on the smoothness and cleanliness of the surface to be sprayed. Therefore the surface should be carefully prepared and kept free of dust.

- Cover all surfaces not to be sprayed.
- Cover screw threads or similar parts of the target object.



Important: Start at the edge of the area to be sprayed. Start the spray movement first of all, and then press the trigger. Avoid interruptions within the area to be sprayed.

- The spray movement should come from the arm, not just from the wrist. This ensures that a uniform distance is maintained between the spray gun and the spray surface during the spray operation. Select a distance of 5 - 15 cm, depending on the desired spray jet width. When you are using interior wall paint, the distance should be about 20-30 cm.

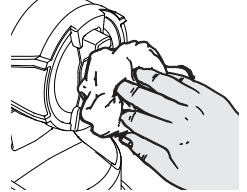
Fig. 10 A/ 10 B: CORRECT Even distance to the object.

Fig. 10 B: INCORRECT An uneven distance will result in uneven paint application.

- Move the spray gun evenly cross-wise or up-and-down, depending on the spray pattern setting.
- An even movement of the spray gun results in an even surface quality.



Important: Wipe off the nozzle and air cap regularly to make sure they do not get blocked.



"Cross spray" when using paint with a poor covering capacity or if the surface is highly absorbent (Fig. 11).

- Interior wall paint in strong colour shades should be applied at least twice (allow first paint coat to dry first). This will ensure good coverage.

16. Interruption of Work

- Turn the machine off.
- During longer breaks, vent the container by briefly opening and then closing it again.
- Clean nozzle openings after an interruption in operation.
- When processing 2-component varnishes, clean the device immediately.

17. Taking Out of Operation and Cleaning

Proper cleaning is the prerequisite for problem-free operation of the paint application device. No warranty claims are accepted in case of improper or no cleaning.



Never hold the spray gun rear part under water or immerse it into liquids. Clean the housing only with a moistened cloth.

- 1) Unplug the power plug. Vent the container in case of longer breaks and after the work has been terminated. This can be done by briefly turning open and then closing the container or by pulling the trigger guard and letting the paint into the original paint container.
- 2) Divide the spray gun. Press the hook (Fig. 3 b "click") slightly downwards. Turn the gun front part and gun rear part against each other and take them apart.
- 3) Unscrew the container. Empty any remaining coating material back into the material tin.
- 4) Preclean the container and feed tube with a brush. Clean the ventilating bore (Fig. 12, 1).
- 5) Pour water or solvent into the container. Screw the container back on.
Do not use flammable materials for cleaning purposes.
- 6) Assemble the gun again (Fig. 3).
- 7) Insert the power plug, turn on the machine and spray the water or solvent into a container or a cloth.
- 8) Repeat the above procedure until the water or solvent emerging from the nozzle is clear.
- 9) Turn off the machine and remove the plug.
- 10) Divide the spray gun. Press the hook (Fig. 3 b "click") slightly downwards. Turn the gun front part and gun rear part against each other and take them apart.

18. Cleaning the Wall Extra I-Spray spray attachment



- 1) Screw of the container and empty it. Pull out the suction tub with container seal.
CAUTION! Never clean seals, diaphragm and nozzle or air holes of the spray gun with metal objects.
The ventilation hose and diaphragm are only solvent-resistant to a limited extent. Do not immerse in solvent, only wipe.
- 2) Pull the ventilating hose (Fig. 13, 1) at the top from the gun body. Screw off the valve cover (2). Remove the diaphragm (3). Clean all the parts carefully.
- 3) Remove the adjustment ring (fig. 14, 1) carefully from the union nut (2).
- 4) Unscrew the union nut (fig. 14, 2) and remove the air cap (3), air screen (4), and nozzle (5). Clean the air cap, air screen, nozzle seal (6) and nozzle with a brush and solvent or water.

- 5) Clean the outside of the spray gun and container with a cloth soaked in solvent or water.
- 6) Assemble the parts again (see "Assembly").

Assembly

The unit may only be operated with an integer diaphragm (Fig. 13, 3).

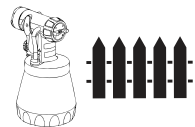
- 1) Place the diaphragm (Fig. 13, 3) **with the pin facing upwards** on the bottom section of the valve. Also see the marking on the gun body.
- 2) Place on the valve cover (Fig. 13, 2) and screw it closed.
- 3) Place the ventilating hose (Fig. 13, 1) on the valve cover and on the nipple at the gun body.



Attention! Never operate the device if the nozzle seal is either damaged or missing. If the nozzle seal is either missing or damaged liquids can enter the device and increase the risk of an electric shock.

- 4) Push the nozzle seal (fig. 15, 6) over the needle (7); the groove (slot) should point towards you.
- 5) Place the nozzle (fig. 15, 5) on to the gun body with the recess facing downwards.
Attention: Position of needle must be congruent with the nozzle aperture. (Fig.16)
- 6) Put the air screen (fig. 17, 4) in the air cap (3). Put both on the nozzle (5) and secure with the union nut (2).
- 7) Adjust the setting ring (fig. 18, 1) so that the two "horns" grip the air cap and the red adjustment lever rests on the pin.
- 8) Place the container seal from below on the suction tube and slide it over the collar, while turning the container seal slightly.
- 9) Insert the suction tube with container seal in the gun body.

19. Cleaning the Standard spray attachment



- 1) Screw off the container and empty it. Pull out the suction tube with container seal.
CAUTION! Never clean seals, diaphragm and nozzle or air holes of the spray gun with metal objects.
The ventilation hose and diaphragm are only solvent-resistant to a limited extent. Do not immerse in solvent, only wipe.
- 2) Pull the ventilating hose (Fig.13, 1) at the top from the gun body. Screw off the valve cover (2). Remove the diaphragm (3). Clean all the parts carefully.
- 3) Unscrew the union nut and remove the air cap and nozzle. Clean the air cap, nozzle seal and nozzle with a brush and solvent or water (Fig. 13).
- 4) Clean the outside of the spray gun and container with a cloth soaked in solvent or water.
- 5) Assemble the parts again (see "Assembly").

Assembly

The unit may only be operated with an integer diaphragm (Fig. 13, 3).

- 1) Place the diaphragm (Fig. 13 ,3) **with the pin facing upwards** on the bottom section of the valve. Also see the marking on the gun body.
- 2) Place on the valve cover (Fig. 13 ,2) and screw it closed.
- 3) Place the ventilating hose (Fig. 13, 1) on the valve cover and on the nipple at the gun body.



Attention! Never operate the device if the nozzle seal is either damaged or missing. If the nozzle seal is either missing or damaged liquids can enter the device and increase the risk of an electric shock.

- 4) Push the nozzle seal (fig. 20, 1) over the needle (3); the groove (slot) should point towards you.
- 5) Put the nozzle (fig. 20, 2) onto the gun body and find the correct position by turning it.
- 6) Put the air cap onto the nozzle and tighten it using the union nut.
- 7) Place the container seal from below on the suction tube and slide it over the collar, while turning the container seal slightly.
- 8) Insert the suction tube with container seal in the gun body.

20. Maintenance



WARNING! Never operate the machine without the air filter; dirt could be sucked in and interfere with the function of the machine. Check the air filter after each use for contaminants. Disconnect plug before changing parts.

- 1) Open the air filter lid with the help of the stirring rod. (Fig. 21)
- 2) Pull out the air filter and replace it if necessary, depending on how soiled it is.
- 3) First, push the new air filter into the bottom part of the compartment. (Fig. 22)
- 4) Next push it completely into the compartment.
In order to push the air filter into the compartment completely, we recommend using the stirring rod.

In order to mount the gun more easily apply lubricating grease (enclosed) liberally to the O-ring at the gun front part. (Fig. 23, 6 and fig. 24,5)

21. Spare Parts

Spare Parts List Wall Extra I-Spray spray attachment (Fig. 23)

Pos.	Designation	Order No.
	Wall Extra I-Spray spray attachment complete with 1300 ml container	2361 746
1	Spray jet adjustment ring	2353 697
2	Union nut	2353 698
3	Air cap	2363 208
4	Air screen	2362 886
5	Nozzle	2328 908
6	Nozzle seal (2 pcs.)	2304 433
7	O-ring of spray attachment	2362 875
8	Ventilating hose, valve cover, diaphragm	2304 027
9	Suction tube	2328 922
10	Container seal	2328 919
11	Container with cover 1300 ml (only for Wall Extra I-Spray spray attachment)	2305 155

Spare Parts List Standard spray attachment (Fig. 24)

Pos.	Designation	Order No.
	Standard spray attachment complete with 800 ml container	2361 730 AUS 2361 731
1	Union nut	2362 873
2	Air cap	2362 877 AUS 2361 747
3	Nozzle	2362 878
4	Nozzle seal	0417 706
5	O-ring of spray attachment	2362 875
6	Ventilating hose, valve cover, diaphragm	2304 027
7	Suction tube	2362 876
8	Container seal	2323 039
9	Container with cover 800 ml	0413 909

Spare Parts List W 570 (Fig. 25)


Pos.	Benennung	Best. Nr.
1	Air filter cover (right + left)	2335 172
2	Air filter set (2 pcs.)	2333 123
3	Stirring rod	2304 419
4	Feed hopper (3 pcs.)	2304 028
	Lubricating grease (no fig.)	2315 539


22. Accessories

The CLICK&PAINT SYSTEM with additional spray attachments and accessories offers the right tool for each work.

Further information about the WAGNER range of products for renovating is available under www.wagner-group.com

23. Correction of Malfunctions

Problem	Cause	Remedy
No coating material emerges from the nozzle	<ul style="list-style-type: none"> • Nozzle clogged • Feed tube clogged • Material volume setting turned too far to the left (-) • Feed tube loose • No pressure build-up in container • Ventilating bore (Fig. 12, 1) clogged 	<ul style="list-style-type: none"> → Clean → Clean → Turn to the right (+) → Insert → Tighten container → Clean
Coating material drips from the nozzle	<ul style="list-style-type: none"> • Nozzle loose • Nozzle worn • Nozzle seal is missing or worn • Coating material assembly at air cap, nozzle or needle 	<ul style="list-style-type: none"> → Tighten → Change → Insert an intact nozzle seal → Clean
Atomisation too coarse	<ul style="list-style-type: none"> • Coating material too thick • Material volume too large Material volume adjusting screw turned too far to the right (+) • Nozzle contaminated • Air filter heavily soiled • Too little pressure build-up in container • Amount of air too low 	<ul style="list-style-type: none"> → Dilute → Turn material volume adjusting screw to the left (-) → Clean → Change → Tighten container → Increase air quantity (Level: Wall & Ceiling )
Spray jet pulsates	<ul style="list-style-type: none"> • Coating material in container running out • Air filter heavily soiled • Nozzle seal is missing or worn 	<ul style="list-style-type: none"> → Refill → Change → Insert an intact nozzle seal

Problem	Cause	Remedy
Coating material causes "paint tears"	<ul style="list-style-type: none"> • Too much coating material applied. 	→ Turn material volume adjusting screw to the left (-)
Too much fog of coating material (Overspray)	<ul style="list-style-type: none"> • Distance to the object too large • Too much coating material applied • Amount of air too high 	→ Reduce distance → Turn material volume adjusting screw to the left (-) → Decrease air quantity (Level: Wood & Metal )
Width of paint spray cannot be adjusted	<ul style="list-style-type: none"> • Adjustment ring is not connected to the peg on the air cap • Air screen is clogged up 	→ Connect adjustment ring and peg → Disassemble and clean
Paint in the ventilating hose	<ul style="list-style-type: none"> • Diaphragm soiled • Diaphragm defective 	→ Clean the diaphragm → Replace the diaphragm
Poor covering capacity on the wall	<ul style="list-style-type: none"> • Spray material is too cold • Highly absorbent surface or paint with poor covering capacity • Distance too large 	→ The material you are spraying should be at room temperature → Cross spray (Fig. 11) → Closer to the object

24. Technical Data

Technical Data	
Max. viscosity (Interior wall paint/Wall Extra I-Spray spray attachment):	4000 mPas
Power source:	230 V~, 50 Hz / 240 V~, 50 Hz
Power consumption:	630 W / 660 W
Atomizing output:	100 W (min), 200 W (max)
Max. flow rate (Interior wall paint/Wall Extra I-Spray spray attachment):	500 ml/min
Protection Class:	I
Sound pressure level*:	74 dB (A); Uncertainty K = 4 dB
Sound pressure output*:	87 dB (A); Uncertainty K = 4 dB
Oscillation level*:	< 2.5 m/s ² ; Uncertainty K = 1.5 m/s ²
Weight:	1.9 kg

* Measured in accordance with EN 60745-1

Information about the oscillation level

The specified oscillation level has been measured according to a standard test procedure and can be used to compare against electric tools.

The oscillation level is also for determining an initial assessment of the vibrational strain.

Attention! The vibration emission value can differ from the specified value when the electric tool is actually in use, depending on how the electric tool is being used. It is necessary to specify safety measures to protect the operating personnel. These measures are based on an estimated shutdown during the actual conditions of use (all parts of the operating cycle are taken into consideration here, for example periods when the electric tool is switched off, and, when it is switched on but running without any load).

25. Environmental protection



The device and all accessories and packaging have to be recycled in an environmentally friendly manner. Do not dispose of the appliance with household waste. Support environmental protection by taking the appliance to a local collection point or obtain information from a specialist retailer. Leftover paint and solvents may not be emptied into drains, the sewage system or disposed of as household rubbish. It has to be disposed of separately as special waste. Please pay special attention to the instructions on the product packaging.

26. Important Note regarding Product Liability!

According to an EU directive, the manufacturer is only liable without limitation for faults in the product if all parts come from the manufacturer or have been approved by the manufacturer and have been mounted to the device and are operated properly. If third-party accessories or spare parts are used, the manufacturer is exonerated wholly or partly from his/her liability if use of the third-party accessories or spare parts have caused a defect in the product.

3+1 years guarantee

The guarantee runs for three years, counting from the date of sale (sales slip). The guarantee is extended by a further 12 months if the device is registered online within 4 weeks of the purchase at www.wagner-group.com/3plus1. Registration is only possible if the buyer is in agreement with the data being stored that is entered during registration. The guarantee covers and is restricted to free-of-charge rectification of faults which are demonstrably attributable to the use of faulty materials in manufacture, or assembly errors; or free-of-charge replacement of the defective parts. The guarantee does not cover incorrect use or commissioning or fitting or repair work which is not stated in our operating instructions. Wearing parts are also excluded from the guarantee. The guarantee excludes commercial use. We expressly reserve the right to fulfil the guarantee. The guarantee expires if the tool is opened up by persons other than WAGNER service personnel. Transport damage, maintenance work and loss and damage due to faulty maintenance work are not covered by the guarantee. Under any guarantee claim, there must be proof of purchase of the tool through submission of the original receipt. Wherever legally possible, we exclude all liability for injury, damage or consequential loss, especially if the tool has been used for a purpose other than that stated in the operating instructions, commissioned or repaired other than in accordance with our operating instructions or if repairs are performed by someone who is unqualified. We reserve the right to perform any repairs in excess of those stated in our operating instructions. In case of guarantee or repair, please refer to your point of sale.

Warning

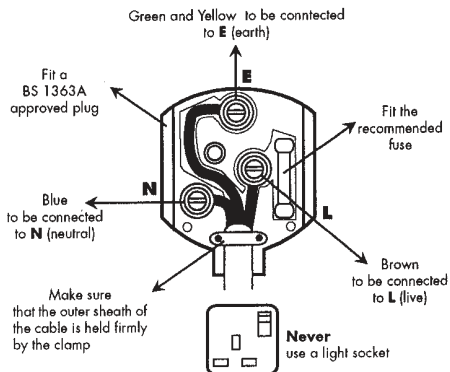
If the supply cord of this appliance is damaged, it must only be replaced by a repair shop appointed by the manufacturer, because special purpose tools are required.

The wires in this mains lead are coloured in accordance with the following code:

green/yellow = earth
blue = neutral **brown** = live

As the colours of the wires in the mains lead of this appliance may not correspond with the coloured markings identifying the terminals in your plug, proceed as follows:

- The wire which is coloured green and yellow must be connected to the terminal in the plug which is marked with the letter E or by the earth symbol or coloured green or green and yellow.
- The wire which is coloured blue must be connected to the terminal which is marked with the letter N or coloured black.
- The wire which is coloured brown must be connected to the terminal which is marked with the letter L or coloured brown.
- Should the moulded plug have to be replaced, never re-use the defective plug or attempt to plug it into a different 13 A socket. This could result in an electric shock.
- Should it be necessary to exchange the fuse in the plug only use fuses approved by ASTA in accordance with BS 1362. Only 13 Amp fuses may be used.
- To ensure that the fuse and fuse carrier are correctly mounted please observe the provided markings or colour coding in the plug.
- After changing the fuse, always make sure that the fuse carrier is correctly inserted. Without the fuse carrier, it is not permissible to use the plug.
- The correct fuses and fuse carriers are available from your local electrical supplies stockist.



D CE Konformitätserklärung

Wir erklären in alleiniger Verantwortung, dass dieses Produkt den folgenden einschlägigen Bestimmungen entspricht:

2006/42/EG, 2014/30/EU, 2011/65/EU, 2012/19/EU

Angewandte harmonisierte Normen:

EN 60745-1:2009+A11:2010, EN 50580:2012+A1:2013, EN 62233:2008,

EN 55014-1:2006+A1:2009+A2:2011, EN 55014-2:1997+Corrigendum 1997+A1:2001+A2:2008, EN 61000-3-2:2014, EN 61000-3-3:2013

GB CE Declaration of Conformity

We declare under sole responsibility that this product conforms to the following relevant stipulations:

2006/42/EC, 2014/30/EU, 2011/65/EU, 2012/19/EU

Applied harmonised norms:

EN 60745-1:2009+A11:2010, EN 50580:2012+A1:2013, EN 62233:2008,

EN 55014-1:2006+A1:2009+A2:2011, EN 55014-2:1997+Corrigendum 1997+A1:2001+A2:2008, EN 61000-3-2:2014, EN 61000-3-3:2013

F CE Déclaration de conformité

Nous déclarons sous notre responsabilité que ce produit est en conformité avec les réglementations suivantes:

2006/42/CE, 2014/30/UE, 2011/65/UE, 2012/19/UE

Conforme aux normes et documents normalisés:

EN 60745-1:2009+A11:2010, EN 50580:2012+A1:2013, EN 62233:2008,

EN 55014-1:2006+A1:2009+A2:2011, EN 55014-2:1997+Corrigendum 1997+A1:2001+A2:2008, EN 61000-3-2:2014, EN 61000-3-3:2013

NL CE Conformiteitsverklaring

Wij verklaren dat dit product voldoet aan de volgende normen:

2006/42/EG, 2014/30/EU, 2011/65/EU, 2012/19/EU

En normatieve documenten:

EN 60745-1:2009+A11:2010, EN 50580:2012+A1:2013, EN 62233:2008,

EN 55014-1:2006+A1:2009+A2:2011, EN 55014-2:1997+Corrigendum 1997+A1:2001+A2:2008, EN 61000-3-2:2014, EN 61000-3-3:2013



i.V. T. Jeltsch
Senior Vice President
Global Product Strategy & Planning



i.V. J. Ulbrich
Vice President Engineering

Dokumentationsverantwortlicher
Responsible person for documents
Responsable de la documentation
Documentatieverantwoordelijke

- D** **J. WAGNER GMBH**
Otto-Lilienthal-Str. 18
D-88677 Markdorf
T +49 0180 - 55 92 46 37
F +49 075 44 -5 05 11 69
- SK** **E-CORECO SK S.R.O.**
Kráľovská ulica 8/7133
SK-927 01 Šala
T +42 1948882850
F +42 1313700077
- SLO** **GMA ELEKTROMECHANIKA D.O.O.**
Cesta Andreja Bitenca 115,
SLO-Ljubljana 1000
T +386(1) 583 83 04
F +386(1) 518 38 03
- F** **WAGNER FRANCE S.A.R.L.**
12 Avenue des Tropiques
Z.A. de Courtaboeuf
F-91978 Les Ulis Cedex
T +33 0825 011 111
F +33 (0)1 69 81 72 57
- GB** **WAGNER SPRAYTECH (UK) LTD**
Opus Park
Moorfield Road
GB-Guildford Surrey GU1 1SZ
T +44 (0) 1483 - 454666
F + 44 (0) 1483 - 454548
- H** **HONDIMPEX KFT.**
Kossuth L. u. 48-50
H-8060 Mór
T +36 (-22) - 407 321
F +36 (-22) - 407 852
- DK** **WAGNER SPRAYTECH**
Scandinavia A/S
Helgøshøj Allé 28
DK-2630 Tåstrup
T +45 43 27 18 18
F +45 43 43 05 28
- S**
- CZ** **E-CORECO S.R.O.**
Na Roudné 102
CZ-301 00 Plzeň
T +42 734 792 823
F +42 227 077 364
- PL** **PUT WAGNER SERVICE**
ul. E. Imieli 27
PL-41-605 Swietochlowice
T +48 32 - 346 37 10
F +48 32 - 346 37 13
- SF** **TEHOMIX OY**
Telekatu 10
SF-20360 TURKU
T +385 (0) 2 2755 999
F +385 (0) 2 2755 995
- ROM** **ROMIB S.R.L.**
str. Poligonului nr. 5 - 7
ROM-100070 Ploiesti ,judet Prahova
T +40-344801240
F +40-344801239
- CH** **J. WAGNER AG**
Industriestraße 22
CH-9450 Altstätten
T +41 71 - 7 57 22 11
F +41 71 - 7 57 23 23
- E** **MAKIMPORT**
HERRAMIENTAS, S.L.
C/ Méjico nº 6
Pol. El Descubrimiento
E-28806 Alcalá de Henares
(Madrid)
T 902 199 021 / 91 879 72 00
F 91 883 19 59
- P**
- AUS** **WAGNER SPRAYTECH AUSTRALIA PTY. LTD.,**
14-16 Kevlar Close
AUS-Braeside, VIC 3195
T +61 3 95 87 - 20 00
F +61 3 95 80 - 91 20
- I** **FHC SRL**
Via Stazione 94,
I-26013 Crema (CR)
T 0373 204839
F 0373 204845

Irrtümer und Änderungen vorbehalten.
Not responsible for errors and changes.
Sous réserves d'erreurs et de modifications.
Fouten en wijzigingen voorbehouden.

Part. No. 2361814
09/2015_RS
© Copyright by J.Wagner GmbH