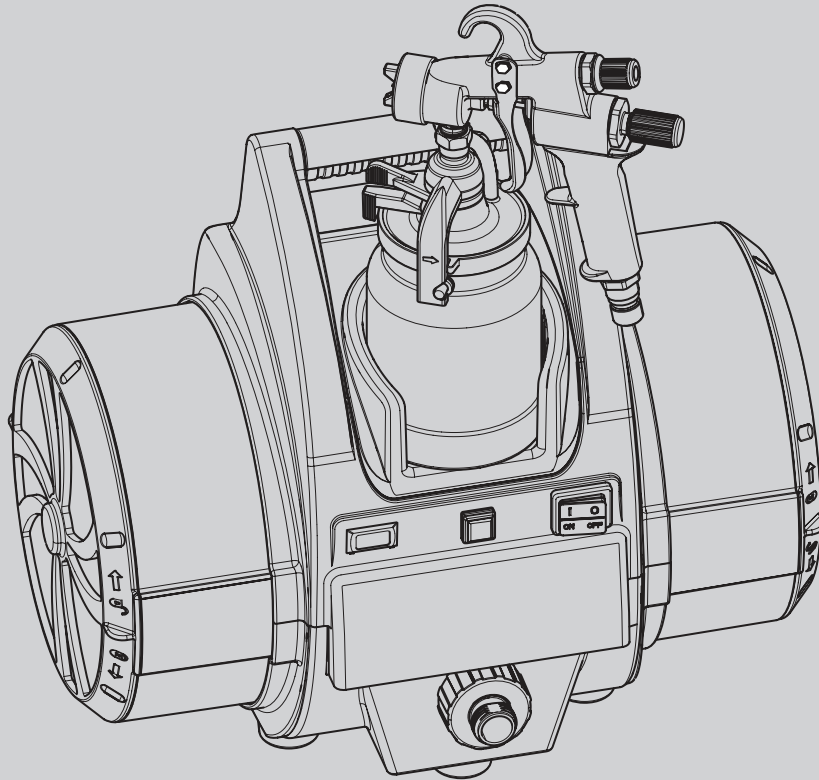
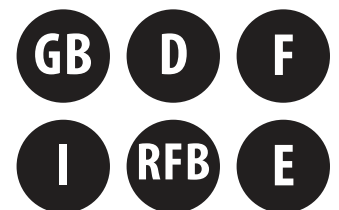


WAGNER



FINECOAT 9900 PLUS HVLP SPRAY SYSTEM



OWNER'S MANUAL • BETRIEBSANLEITUNG • MODE D'EMPLOI •
ISTRUZIONI PER L'USO • MANUAL DE OPERAÇÕES • INSTRUCCIONES DE USO

GB	2
D	16
F	30
I	44
RFB	58
E	72

1	SAFETY REGULATIONS	3
1.1	Explanation of symbols used	3
1.2	Safety hazards	3
1.3	Electrical safety	4
2	INTRODUCTION	5
2.1	Technical data	5
3	USING AN HVLP SPRAYER	6
3.1	Setup	6
3.2	Dual filtration system	6
3.3	Filter warning system	6
4	STARTING OPERATION	7
4.1	Setting the FC9900 Plus spray gun	7
5	SPRAYING TECHNIQUE	9
5.1	Breaks in work	9
6	FINISHING WORK AND CLEANING THE UNIT	10
7	MAINTENANCE	11
7.1	Cleaning/replacing the filters	11
7.2	Cleaning the air hoses	11
8	CHOOSING A PROJECTOR SET	12
8.1	Changing a projector set	12
9	MATERIAL REDUCTION/PROJECTOR SET CHART	13
10	REMEDY IN CASE OF FAULTS	13
10.1	Servicing	13
11	SPECIAL ACCESSORIES	14
	IMPORTANT NOTES ON PRODUCT LIABILITY	15
	3+2 YEARS GUARANTEE FOR PROFESSIONAL FINISHING	15
	SPARE PARTS LISTS	86
	Spare parts list for main assembly	86
	Spare parts list for turbine assembly	88
	Spare parts list for upper housing assembly	90
	Spare parts list for lower housing assembly	92
	WIRING DIAGRAM	94/95
	CE DECLARATION OF CONFORMITY	96/97
	SALES AND SERVICE COMPANIES	99/100

1 SAFETY REGULATIONS

1.1 EXPLANATION OF SYMBOLS USED

This manual contains information that must be read and understood before using the equipment. When you come to an area that has one of the following symbols, pay particular attention and make certain to heed the safeguard.



→ This symbol indicates a potential hazard that may cause serious injury or loss of life. Important safety information will follow.



→ This symbol indicates a potential hazard to you or to the equipment. Important information that tells how to prevent damage to the equipment or how to avoid causes of minor injuries will follow.



→ Danger of skin burn injury



→ Danger of fire from solvent and paint fumes



→ Danger of explosion from solvent, paint fumes and incompatible materials



→ Danger of injury from inhalation of harmful vapors



→ Ear protection must be worn



→ Eye protection must be worn



→ Notes give important information which should be given special attention.

1.2 SAFETY HAZARDS



HAZARD: EXPLOSION HAZARD DUE TO INCOMPATIBLE MATERIALS

Will cause severe injury or property damage.

PREVENTION:

- Do not use materials containing bleach or chlorine.
- Do not use halogenated hydrocarbon solvents such as methylene chloride and 1,1,1 - trichloroethane. They are not compatible with aluminum and may cause an explosion. If you are unsure of a material's compatibility with aluminum, contact your coating's supplier.



A list of the materials used in the construction of the equipment will be made available on request to validate compatibility with the coating materials to be used.



HAZARD: GENERAL

This product can cause severe injury or property damage.

PREVENTION:

- Read all instructions and safety precautions before operating equipment.
- Follow all appropriate local, state, and national codes governing ventilation, fire prevention, and operation.
- Use only manufacturer authorized parts. User assumes all risks and liabilities when using parts that do not meet the minimum specifications and safety devices of the pump manufacturer.
- Before each use, check all hoses for cuts, leaks, abrasion or bulging of cover. Check for damage or movement of couplings. Immediately replace the hose if any of these conditions exist. Never repair a hose. Replace it with an identical replacement hose.
- NEVER aim the gun at any part of the body.
- Wear clothing to keep paint off skin and hair.
- Wear ear protection.
- Do not spray outdoors on windy days.
- Never leave this equipment unattended. Keep away from children or anyone not familiar with the operation of HVLP equipment.



HAZARD: HAZARDOUS VAPORS

Paints, solvents, insecticides, and other materials can be harmful if inhaled or come in contact with body. Vapors can cause severe nausea, fainting, or poisoning.

PREVENTION:

- Use a respirator or mask if vapors can be inhaled. Read all instructions supplied with the mask to be sure it will provide the necessary protection.
- Wear protective eyewear.
- Wear protective clothing as required by coating manufacturer.



HAZARD: SKIN BURN INJURY

Heated parts can cause severe skin burn injury.

PREVENTION:

- Quick disconnect fittings on the hose and spray gun become hot during use. Avoid skin contact with quick disconnect fittings when they are hot. Allow quick disconnect fittings to cool before disconnecting the spray gun from the hose.



HAZARD: EXPLOSION OR FIRE

Solvent and paint fumes can explode or ignite. Severe injury and/or property damage can occur.



PREVENTION:

- Provide extensive exhaust and fresh air introduction to keep the air within the spray area free from accumulation of flammable vapors.
- Avoid all ignition sources such as static electricity sparks, electrical appliances, flames, pilot lights, hot objects, and sparks from connecting and disconnecting power cords or working light switches.
- Plastic can cause static sparks. Never hang plastic to enclose spray area. Do not use plastic drop cloths when spraying flammable materials.
- Do not smoke in spray area.
- Fire extinguisher must be present and in good working order.

- Power cord must be connected to a grounded circuit (electric units only).
- Follow material and solvent manufacturer's warnings and instructions. Be familiar with the coating material's MSDS sheet and technical information to ensure safe use.
- Use extreme caution when using materials with a flashpoint below 70° F (21° C). Flashpoint is the temperature that a fluid can produce enough vapors to ignite.
- The object to be coated must be earthed.
- Before working on the device, remove the power plug from the socket.

1.3 ELECTRIC SAFETY

Electric models must be grounded/earthed. In the event of an electrical short circuit, grounding/earthing reduces the risk of electric shock by providing an escape wire for the electric current. This product is equipped with a cord having an grounding/earthing wire with an appropriate grounding/earthing plug. Connection to the power cord only through a special feed point, e.g. through an error protection installation with INF < 30 mA.



DANGER — Work or repairs at the electrical equipment may only be carried out by a skilled electrician. No liability is assumed for incorrect installation. Switch the unit off. Before all repair work, unplug the power plug from the outlet.



Danger of short-circuits caused by water ingressing into the electrical equipment. Never spray down the unit with high-pressure or high-pressure steam cleaners.

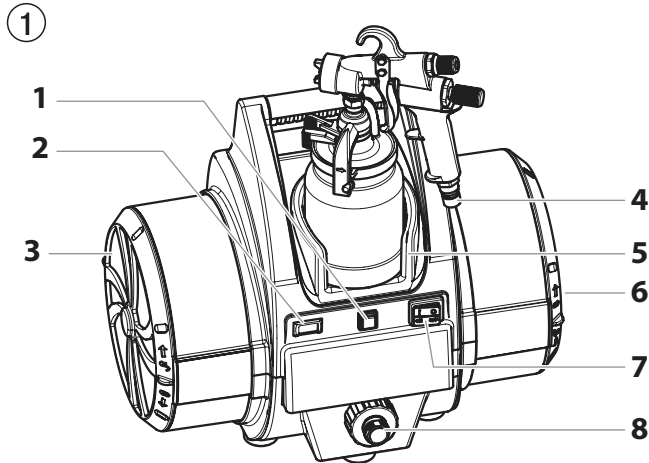


Caution – The power cord for this equipment acts as an supply circuit connector. The power cord must be placed near an easily accessible, unobstructed socket-outlet.

2 INTRODUCTION

This High Volume/Low Pressure (HVLP) spray system is designed for applying coatings to surfaces that can be sprayed faster than brushing or rolling and are too small for traditional airless sprayers. Components of this system include a power switch, a power cord, a filter warning light, a circuit breaker switch, a dual filtration system, a cup holder, an air hose, and an air outlet.

The turbine is also equipped with a tool box. It is located on the reverse side of the turbine and can be used to store projector sets or any other small spare parts.



1. Circuit breaker switch
 2. Filter warning light
 3. Filter
 4. Air inlet
 5. Cup holder
 6. Filter (in the end of can)
 7. Power switch
 8. Air outlet
- * Air hose not pictured.

With this HVLP spray system, you can achieve the highest quality professional finish possible with little or no preparation or setup time. Please review all the information contained in this manual before operating the system.



2.1 TECHNICAL DATA

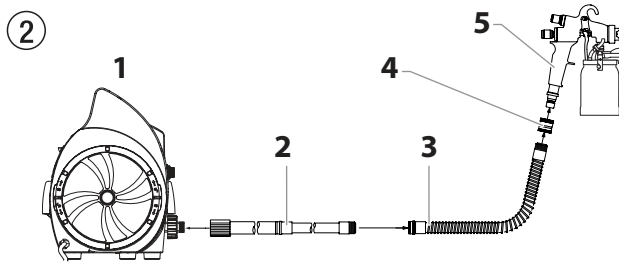
Voltage	100-110V~, 50/60 Hz or 220V-240V~, 50/60 Hz
Power consumption P1	1836 W
Max. current consumption	
100-110V~	13,4A
220V-240V~	9,0A
Max. air ram pressure	0,72 bar (10,5 psi)
Rpm	21 000 rpm
Turbine weight	15 kg
Mains cable	3 m
Container capacity	1 liter
Air hose	9,1 m
Whip hose length	1,5 m
Nozzle set (standard)	No. 4 (1.8 mm)
Max. permissible coating temperature	43°C
Typical coating flow rate	0,35 l/min
Max. noise level	
turbo-blower	75 dB (A) *
paint spray gun	76 dB (A)

* Measuring location: 1 m in distance from the unit 1.60 m above the floor, reverberant floor.


** Measuring location: 2.5 m distance from the unit 1.60 m above the floor.

3 USING AN HVLP SPRAY SYSTEM



	Refer to the following information to operate and understand your HVLP spray system.
	Your system may include a short air (“whip”) hose. The short hose should be connected to the longer hose or a remote spraying system (sold separately) and NOT directly to the turbine. See your spray gun instruction manual for complete instructions.



1. Turbine
2. Air hose
3. Whip hose
4. Coupling
5. Spray gun

 Attention	Do not attach the short air whip hose directly to the turbine, as the hose will become damaged.
---	---

3.1 SETUP

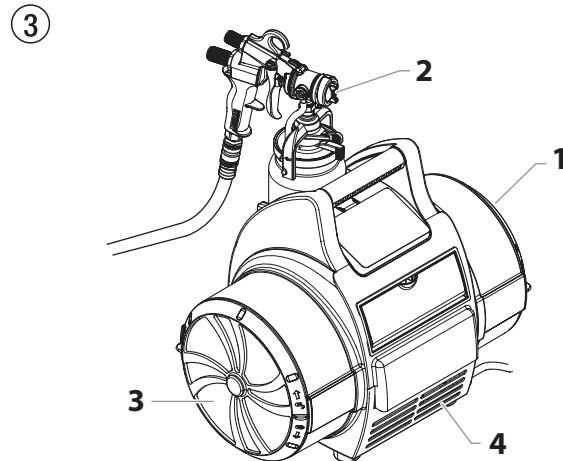
	Use the following procedure to set up your HVLP spray system for operation.
	Keep the turbine at the maximum possible distance from the spray area to safeguard against explosion or fire that may be caused by sparking electrical parts.

1. Prepare your spray gun for operation. Refer to your spray gun manual for material preparation, setup, and spraying information.
2. Attach the air hose to the air outlet on the turbine.
3. Attach the air hose to the air inlet on your spray gun.

4. Plug the turbine power cord into a grounded receptacle.
5. Turn on the turbine and begin spraying.



3.2 DUAL FILTRATION SYSTEM

The turbine has two different air filters— one for atomizing air and one for cooling air. The atomizing air filter (1) is a two-stage, fine mesh filter designed to trap particles that may damage your finish. The atomizing air is discharged through the nozzle of the spray gun where it atomizes the coating material (2). The cooling air filter (3) is a coarse mesh filter designed to allow the proper amount of air flow through the turbine for cooling purposes. Cooling air is exhausted through the cooling air discharge on the front of the turbine (4).



3.3 FILTER WARNING SYSTEM

The filter warning system on your turbine consists of a red filter warning light on the front control panel and an air flow switch inside the turbine. When the air flow switch does not detect the appropriate amount of air flowing through the turbine, the filter warning light will come on to indicate that it is time to clean or change the filters.

	The filter warning system does not shut down the turbine.
 Attention	Clean filters regularly. Clogged filters can cause excessive heat and possibly damage the turbine.

4 STARTING OPERATION



Before connecting to the mains supply make sure that the mains voltage corresponds to the operating voltage on the rating plate. The unit must be connected with a properly earthed shockproof socket.

1. Screw air hose end (anti-kink spring) onto the turboblower. Couple air hose to the paint spray gun.
2. Open closing lever on the paint container, remove paint container.
3. Fill paint container with coating material.
4. Check that the paint container seal is clean and is seated correctly.
5. Clip the container onto the spray gun and secure with the closing lever.
6. Switch the turbo-blower on.
7. Point the paint spray gun at the object to be sprayed.
8. Determine the settings for the spray pattern, spray jet width, amount of material, amount of air and ascending feed pipe settings, see fig. 4 - 10 and the description page 7/8.
9. Operate trigger on the paint spray gun.

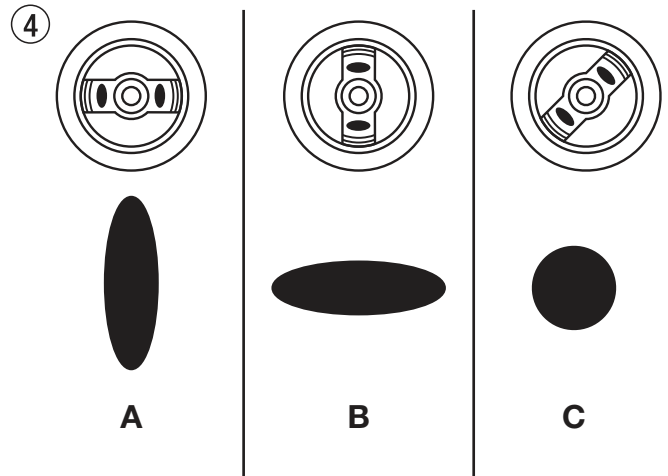
4.1 SETTING THE FC9900 PLUS SPRAY GUN

SPRAY PATTERN SELECTION (FIG. 4)

A = vertical flat jet for horizontal surfaces

B = horizontal flat jet for vertical surfaces

C = Round jet for corners and edges and places difficult to access.

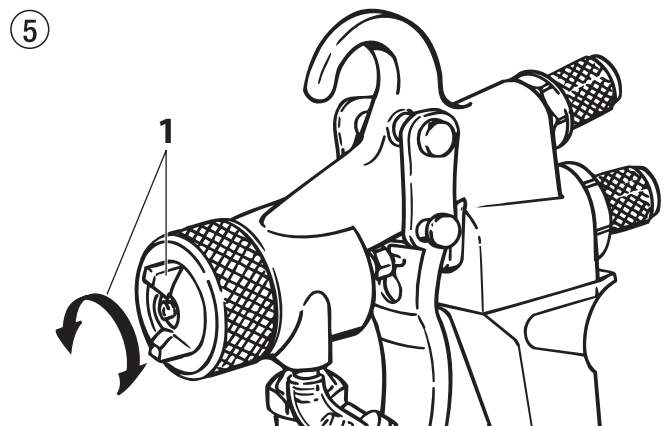


SETTING THE REQUIRED SPRAY PATTERN (FIG. 5)

Turn the air cap (1) to the required spray pattern position.



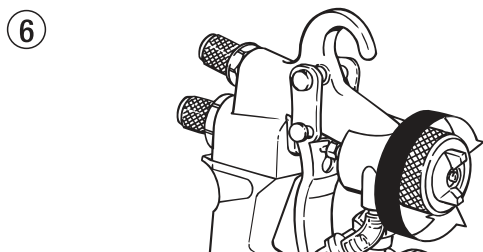
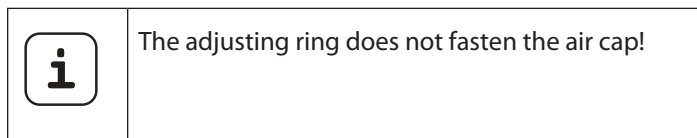
Never pull trigger while adjusting the air cap settings.



SETTING THE SPRAY JET WIDTH (FIG. 6)**Adjusting ring**

Turn to the right = wider spray jet

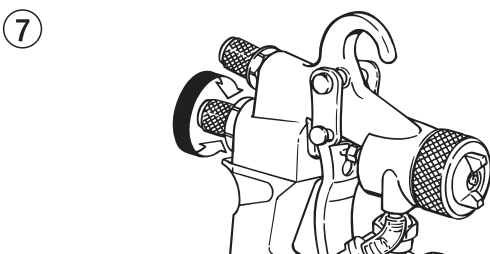
Turn to the left = narrower spray jet

**SETTING THE AMOUNT OF MATERIAL (FIG. 7)**

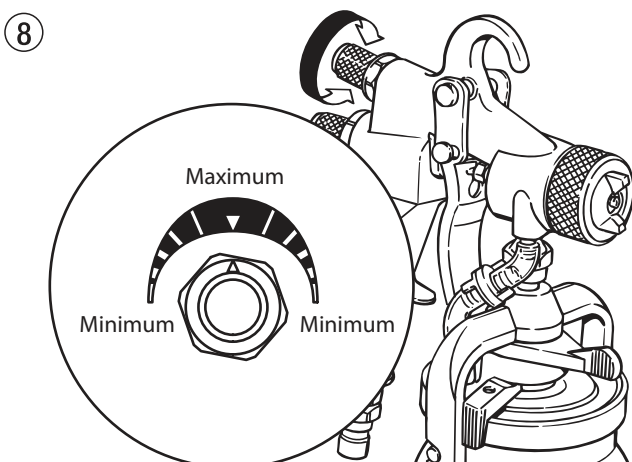
Set the amount of material by turning the material adjustment knob.

Turn to the left = more material

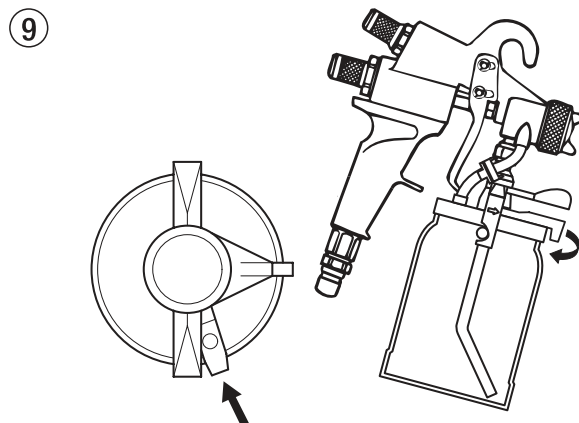
Turn to the right = less material

**SETTING THE AMOUNT OF AIR (FIG. 8)**

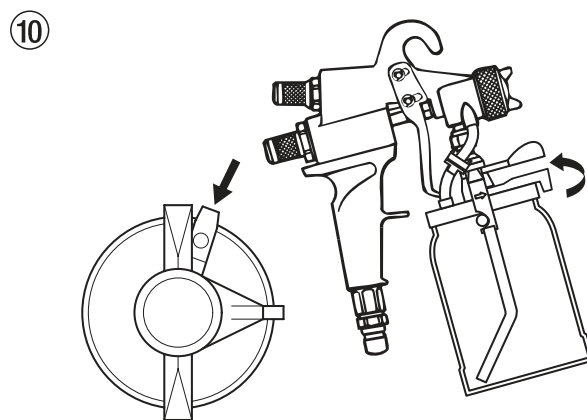
The correct setting for the amount of air is decisive for the atomization and formation of paint mist.

**SETTING THE ASCENDING FEED PIPE****SPRAYING OBJECT LYING ON FLOOR (FIG. 9)**

Turn rotating lever clockwise as far as it will go.

**SPRAYING OBJECT OVER HEAD (FIG. 10)**

Turn rotating lever anti-clockwise as far as it will go.



5 SPRAYING TECHNIQUE

Hold the paint spray gun upright and maintain a constant distance of about 3 - 20 cm to the object being sprayed.

Move the paint spray gun evenly either from side to side or up and down. If the gun is moved evenly, it will produce an even surface finish. No runs will occur if the speed is correct.

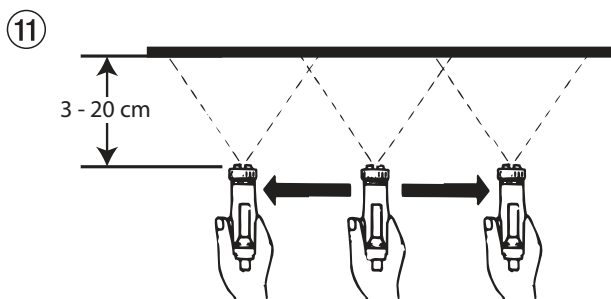
Always start spraying away from the object and avoid stopping spraying whilst still on the object.



If the round jet setting is used, the distance may be increased according to the size of the object being sprayed.

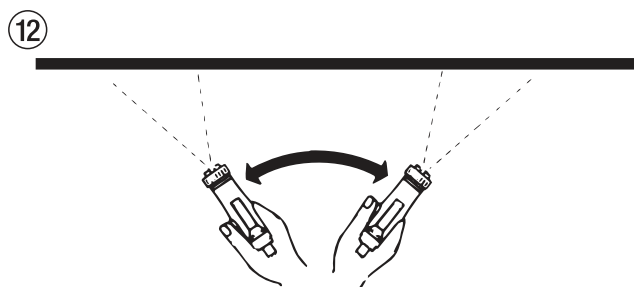
- In case of excessive paint mist formation, adjust the air and material flow respectively and alter the distance from the object.

RIGHT



WRONG

Excessive paint mist formation, uneven surface finish.

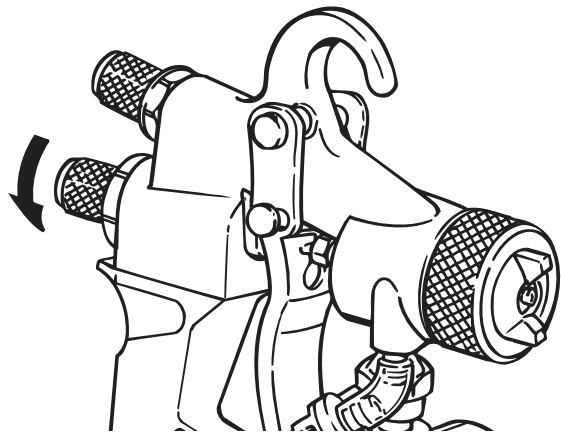


5.1 BREAKS IN WORK

- Turn the material regulating knob to the right as far as it will go (fig. 13).

This will secure the paint spray gun against unintentional operation.

13



- Switch the unit off.

6 FINISHING WORK AND CLEANING THE UNIT

1. Switch the unit off.
2. Hold the paint spray gun in the original container. Press the trigger to release the pressure in the spray gun container.
3. Undo the paint container closing lever and remove the container.
4. Empty the remaining coating material into the original container.
5. Fill the spray gun container with solvent or water and fit onto the spray gun.



Only use solvents with a flash point above 21 °C.

6. Shake the paint spray gun well.
7. Switch the unit on and spray the solvent or water into an open container.



Never spray into a container with only a small opening (bunghole)!

8. Repeat this procedure until the solvent or water coming out of the tip is clear.
Then empty the paint container completely.



Never leave solvents in the spray gun container; this may cause pressure to build up in the container.

Always keep the paint container seal clean of left over coating material and check regularly for signs of damage.

9. Switch the unit off.
10. Clean the outer surfaces of the paint container and paint spray gun with a cloth soaked in solvent or water.



Do not leave the FineCoat 9900 Plus spray gun immersed in solvent for extended periods! (The seals and air pipe on non-return valve may swell, preventing them from functioning properly.)

11. Unscrew adjusting ring, remove air cap and spring plate. Unscrew nozzle. Clean air cap, tip and needle with brush and solvent or water.



Never use sharp metal objects to clean the nozzles or air channels of the FC9900 Plus spray gun.

12. Apply a fine coat of silicone-free oil to the marked areas (fig 14).

14



13. If the paint spray gun is not used for any length of time, it should be cleaned and protected by applying a fine coat of silicone-free oil.

7 MAINTENANCE



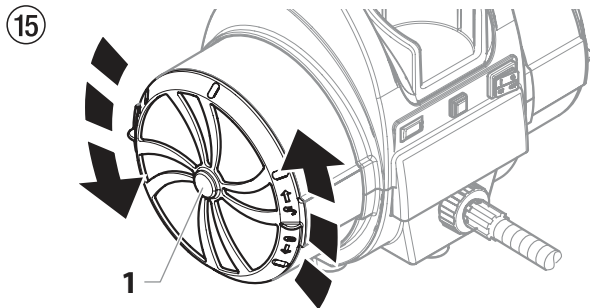
Use the following procedures to keep your HVLP spray system running properly.

7.1 CLEANING / REPLACING THE FILTERS



Make sure the turbine is unplugged before changing the filters.

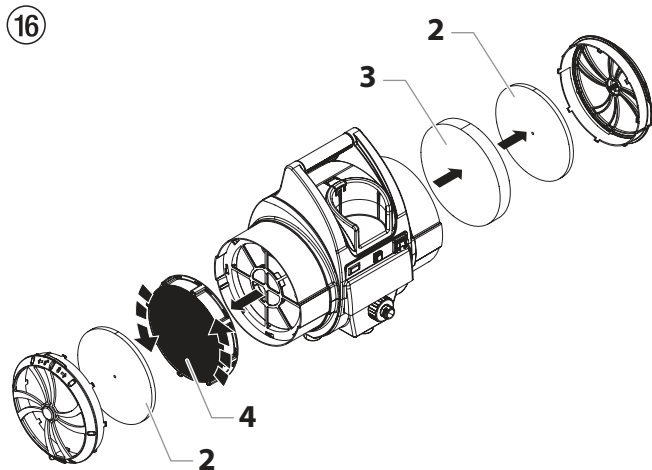
1. Remove the filter covers (1) on each side of the turbine by turning them counterclockwise.



2. Remove each filter set (pre-filter [2] and filter [3]) from the filter housing on each side of the turbine.



The white pleated filter (4) is removed from the turbine in the same manner as the filter cover. Turn counterclockwise to unlock and remove.



Do not use highly flammable solvents, such as lacquer thinner, to clean the filters.



Attention

Do not soak paper pleated filter in solvents. Only tap the filter or use compressed air directed at the inside (the clean side).

3. Clean the filters. Either tap the filters to knock out the contaminants or use pressurized air to blow out the contaminants. For material that is not blown or knocked loose easily, soak the filters in soapy water or mineral spirits. Allow the filters to dry completely before placing them back in the turbine.
4. Insert each filter back into its corresponding filter can.



Make sure the white pleated filter is fitted securely to the spokes of the filter can. Turn clockwise to secure in place.

5. Replace the filter covers on each side of the turbine by turning them clockwise.



After several cleanings, it may become necessary to replace the filters. Refer to the parts list near the end of this manual for the filter replacement kit part number.

7.2 CLEANING THE AIR HOSES

1. Periodically wipe the outer surface of the air hose with a damp cloth to keep clean.



Attention

DO NOT submerge into or flush the air hose with water or any chemical.

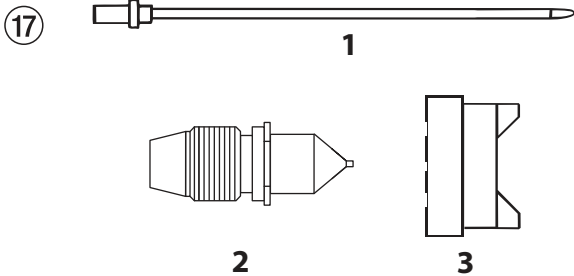
DO NOT use methylethylketon (MEK), naphtha, mineral spirits, paint thinner, xylol/xylene, or toluel/toluene to clean the air hose. Exposure over time could cause damage to the hose.

Store indoors with the cord wrapped around the handle.

8 CHOOSING A PROJECTOR SET



Your HVLP spray gun should be fitted with the proper projector set for the type of work you will be performing. A projector set consists of a needle assembly (Fig. 17, item 1), a fluid nozzle (2), and an air cap (3).

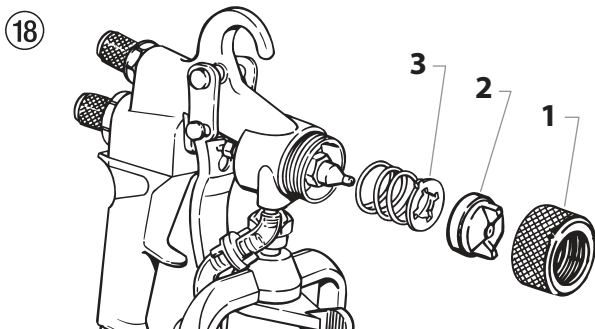


You should choose a projector set based on two things: the type of material to be sprayed and the finish desired.

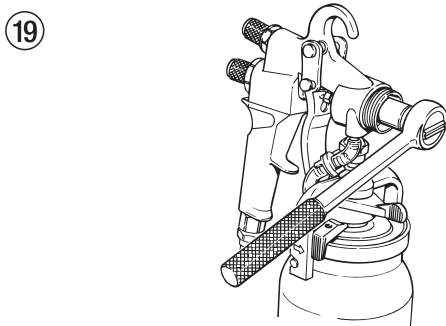
The chart on the following page should help you to make the right choice.

8.1 CHANGING A PROJECTOR SET

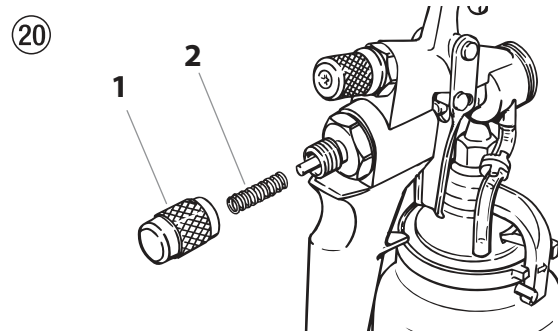
1. Remove the air cap ring (Fig. 18, item 1), air cap (2), and spring plate (3).



2. Remove the fluid nozzle.



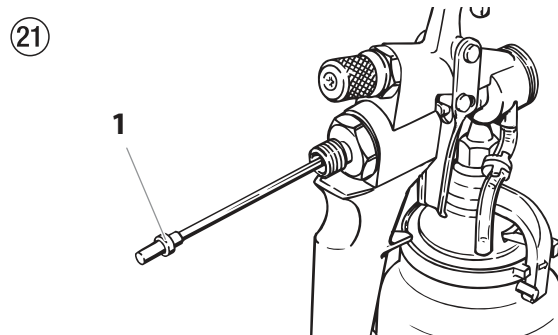
3. Remove the material flow adjustment knob (Fig. 19, item 1) and spring (2).



4. Remove the needle (Fig. 20, item 1).



If the needle does not slide out easily, loosen the packing nut to prevent the needle or packing from being damaged.



5. Install the new projector set in reverse order.

9 MATERIAL REDUCTION/PROJECTOR SET CHART

Before spraying, the material being used must be thinned with an appropriate solvent and the proper projector set must be installed. It is always best to follow the material manufacturers recommendations and thinning procedures.

There are two simple methods of measuring the proper thickness of a material:

1. Dip a paint stick into the material and remove it, watching carefully as the material runs off. When the material begins to form drops, the drops should fall about 1 second apart.
2. Use a viscosity cup (P/N 0153165). Dip the cup into the material and remove it. Use a watch or clock to time how long the material drains from the cup in a continuous stream. Once the continuous stream breaks, stop timing and refer to the table below. Add the appropriate solvent and continue testing until the proper thickness is reached for the type of material you are using.

MATERIAL	VISCOSITY DIN-S (4 MM DIN CUP)	PROJECTOR SET
Solvent-based lacquer paints	15 - 45	3 - 4
Water-soluble lacquer paints	observe manufacturer's instructions	4 - 5
Wood preservatives (scumble, mordants, etc).	undiluted	2 - 3
Multi-color effect materials, multi-color paint	observe manufacturer's instructions	6 - 7
Texture and effect paints	observe manufacturer's instructions	5 - 6

10 REMEDY IN CASE OF FAULTS

Type of malfunction	Possible cause	Measures for eliminating the malfunction
A. Restricted air flow or no air flow	<ol style="list-style-type: none"> 1. Air flow adjustment knob on the spray gun is turned off 2. Air filters are clogged 	<ol style="list-style-type: none"> 1. Adjust the air flow adjustment knob 2. Clean or replace the filters
B. Filter warning light is on	<ol style="list-style-type: none"> 1. Air filters are clogged 	<ol style="list-style-type: none"> 1. Clean or replace the filters
C. The turbine has no power	<ol style="list-style-type: none"> 1. No power at the power supply 2. Circuit breaker has been tripped. 3. Worn turbine brushes 	<ol style="list-style-type: none"> 1. Check the power supply 2. Reset the breaker. If problem persists, have turbine inspected at an authorized Wagner service center. 3. Have the brushes replaced at an authorized Wagner service center
D. Excessive arcing/sparking in the turbine	<ol style="list-style-type: none"> 1. Worn turbine brushes 2. Damaged commutator 	<ol style="list-style-type: none"> 1. Have the brushes replaced at an authorized Wagner service center 2. Replace the turbine (contact a Wagner service technician)



The turbine motor can be damaged if not serviced properly. Have the brushes (P/N 0276878) checked for wear by an authorized service center every 400 hours.
 Clean filters regularly. Clogged filters can cause excessive heat and possibly damage the unit.
 For additional troubleshooting information, see the manual that came with your gun.

10.1 SERVICE

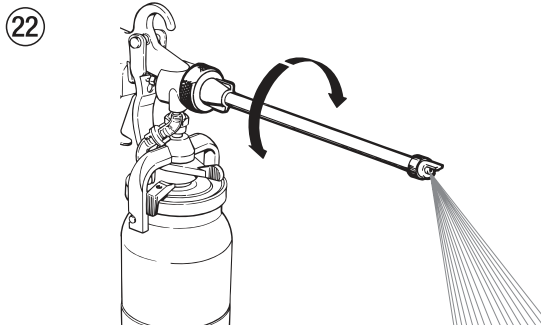
Should your spray system need service during the warranty period, return your unit and the proof of purchase to the distributor where it was purchased. At our option, the unit will be repaired or replaced. In a continued commitment to improve quality, we reserve the right to make component or design changes when necessary.

11 SPECIAL ACCESSORIES

RN 30 EXTENSION TIP (FIG. 22)

for ribbed radiators, length 30cm.

Part No. **0261 020**



WSL 50 SPRAY LANCE (FIG. 23)

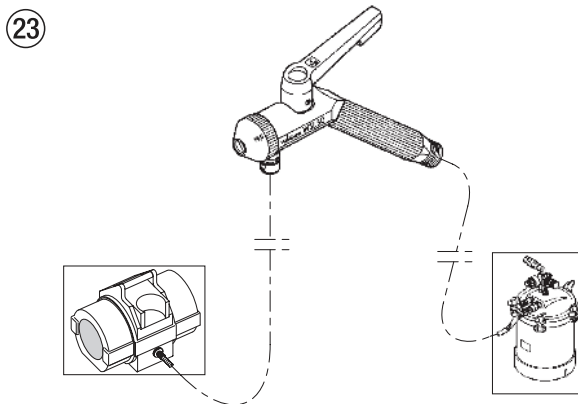
Area of application

Removating and repair work

For ceilings and walls

Material supply by means of a commercially available pressure tank.

Part No. **0261 023**

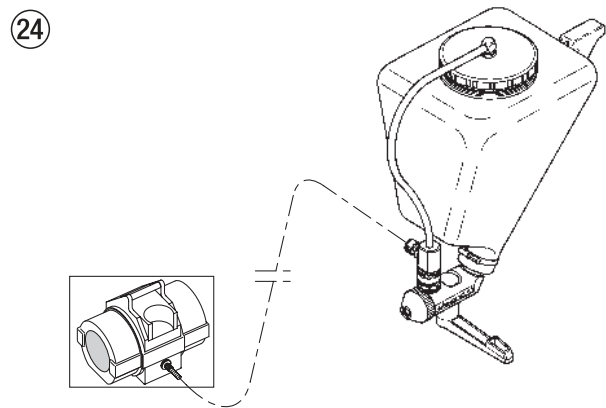


WSL 60 SPRAY LANCE (FIG. 24)

When coating materials can be used?

Coating materials which, due to their properties, cannot be used with a paint spray gun, e.g., liquid wood chip, multi-color effect coating, ornamental plaster, texture and spray filler, etc.

Part No. **0261 024**

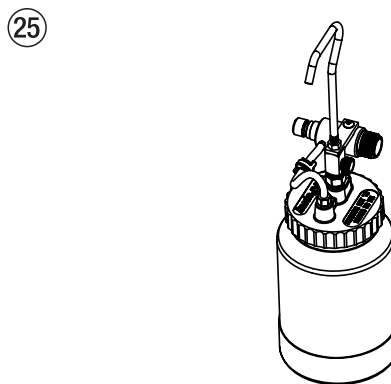


POWER CART

Part No. **0524 001**

1.9 L REMOTE PRESSURE TANK (FIG. 25)

Part No. **0524 230**



IMPORTANT NOTES ON PRODUCT LIABILITY

As a result of an EC regulation being effective as from January 1, 1990, the manufacturer shall only be liable for his product if all parts come from him or are released by him, and if the devices are properly mounted and operated.

If the user applies outside accessories and spare parts, the manufacturer's liability can fully or partially be inapplicable; in extreme cases usage of the entire device can be prohibited by the competent authorities (employer's liability insurance association and factory inspectorate division).

Only the usage of original WAGNER accessories and spare parts guarantees that all safety regulations are observed.

3+2 YEARS GUARANTEE FOR PROFESSIONAL FINISHING

Wagner professional guarantee

(Status 01.02.2009)

1. Scope of guarantee

All Wagner professional colour application devices (hereafter referred to as products) are carefully inspected, tested and are subject to strict checks under Wagner quality assurance. Wagner exclusively issues extended guarantees to commercial or professional users (hereafter referred to as "customer") who have purchased the product in an authorised specialist shop, and which relate to the products listed for that customer on the Internet under www.wagner-group.com/profi-guarantee.

The buyer's claim for liability for defects from the purchase agreement with the seller as well as statutory rights are not impaired by this guarantee.

We provide a guarantee in that we decide whether to replace or repair the product or individual parts, or take the device back and reimburse the purchase price. The costs for materials and working hours are our responsibility. Replaced products or parts become our property.

2. Guarantee period and registration

The guarantee period amounts to 36 months. For industrial use or equal wear, such as shift operations in particular, or in the event of rentals it amounts to 12 months.

Systems driven by petrol or air are also guaranteed for a 12 month period.

The guarantee period begins with the day of delivery by the authorised specialist shop. The date on the original purchase document is authoritative.

For all products bought in authorised specialist shops from 01.02.2009 the guarantee period is extended to 24 months providing the buyer of these devices registers in accordance with the following conditions within 4 weeks of the day of delivery by the authorised specialist shop.

Registration can be completed on the Internet under www.wagner-group.com/profi-guarantee. The guarantee certificate is valid as confirmation, as is the original purchase document that carries the date of the purchase. Registration is only possible if the buyer is in agreement with having the data being stored that is entered during registration.

When services are carried out under guarantee the guarantee period for the product is neither extended nor renewed.

Once the guarantee period has expired, claims made against the guarantee or from the guarantee can no longer be enforced.

3. Handling

If defects can be seen in the materials, processing or performance of the device during the guarantee period, guarantee claims must be made immediately, or at the latest within a period of 2 weeks.

The authorised specialist shop that delivered the device is entitled to accept guarantee claims. Guarantee claims may also be made to the service centres named in our operating instructions. The product has to be sent without charge or presented together with the original purchase document that includes details of the purchase date and the name of the product. In order to claim for an extension to the guarantee, the guarantee certificate must be included.

The costs as well as the risk of loss or damage to the product in transit or by the centre that accepts the guarantee claims or who delivers the repaired product, are the responsibility of the customer.

4. Exclusion of guarantee

Guarantee claims cannot be considered

- for parts that are subject to wear and tear due to use or other natural wear and tear, as well as defects in the product that are a result of natural wear and tear, or wear and tear due to use. This includes in particular cables, valves, packaging, jets, cylinders, pistons, means-carrying housing components, filters, pipes, seals, rotors, stators, etc. Damage due to wear and tear that is caused in particular by sanded coating materials, such as dispersions, plaster, putty, adhesives, glazes, quartz foundation.
- in the event of errors in devices that are due to non-compliance with the operating instructions, unsuitable or unprofessional use, incorrect assembly and/or commissioning by the buyer or by a third party, or utilisation other than is intended, abnormal ambient conditions, unsuitable coating materials, unsuitable operating conditions, operation with the incorrect mains voltage supply/frequency, over-operation or defective servicing or care and/or cleaning.
- for errors in the device that have been caused by using accessory parts, additional components or spare parts that are not original Wagner parts.
- for products to which modifications or additions have been carried out.
- for products where the serial number has been removed or is illegible
- for products to which attempts at repairs have been carried out by unauthorised persons.
- for products with slight deviations from the target properties, which are negligible with regard to the value and usability of the device.
- for products that have been partially or fully taken apart.

5. Additional regulations.

The above guarantees apply exclusively to products that have been bought by authorised specialist shops in the EU, CIS, Australia and are used within the reference country.

If the check shows that the case is not a guarantee case, repairs are carried out at the expense of the buyer.

The above regulations manage the legal relationship to us conclusively. Additional claims, in particular for damages and losses of any type, which occur as a result of the product or its use, are excluded from the product liability act except with regard to the area of application.

Claims for liability for defects to the specialist trader remain unaffected.

German law applies to this guarantee. The contractual language is German. In the event that the meaning of the German and a foreign text of this guarantee deviate from one another, the meaning of the German text has priority.

J. Wagner GmbH

Division Professional Finishing

Otto Lilienthal Strasse 18

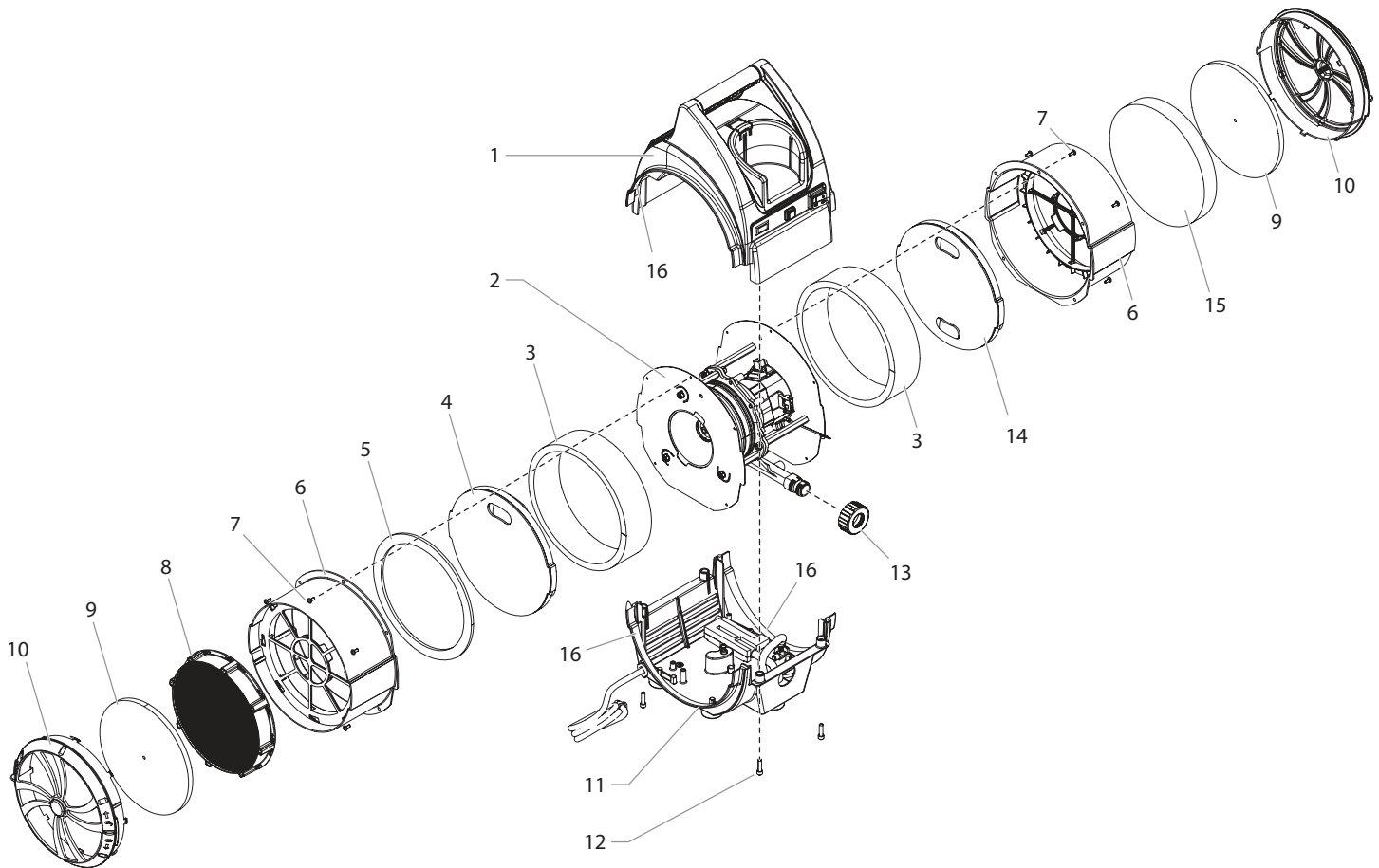
88677 Markdorf

Federal Republic of Germany

ILLUSTRATION DES PIÈCES DE RECHANGE

GB MAIN ASSEMBLY
F ENSEMBLE PRINCIPAL
RFB CONJUNTO PRINCIPAL

D HAUPTBAUGRUPPE
I ASSEMBLAGGIO PRINCIPALE
E CONJUNTO PRINCIPAL



#	FC9900 Plus	Description	Benennung	Désignation
1	-----	Upper housing assembly (see separate listing)	Obere Gehäuseeinheit (siehe separates Verzeichnis)	Ensemble boîtier supérieur (voir la liste séparée)
2	-----	5-Stage turbine assembly, 100V-110V~ (see separate listing)	5-stufige Turbinenanordnung, 100V-110V~ (siehe separates Verzeichnis)	Ensemble turbine à 5 étapes, 100V-110V~ (voir la liste séparée)
	-----	5-Stage turbine assembly, 220V-240V~ (see separate listing)	5-stufige Turbinenanordnung, 220V-240V~ (siehe separates Verzeichnis)	Ensemble turbine à 5 étapes, 220V-240V~ (voir la liste séparée)
3	0524927	Sidewall silencer	Schalldämpfer Seitenwand	Silencieux
4	0524593A	Silencer assembly	Schalldämpfer-Baugruppe	Ensemble silencieux
5	0524524	Sealing foam	Dichtungsschaum	Mousse d'étanchéité
6	0524948A	Filter can	Filterbehälter	Carters de filtre
7	0293395	Screw	Schraube	Vis
8	0524523A	Filter	Filter	Filtre
9	0524526A	Pre-filter	Vorfilter	Préfiltre
10	0524949A	Filter cover	Filterabdeckung	Couvercle de filtre
11	-----	Lower housing assembly (see separate listing)	Untere Gehäuseeinheit (siehe separates Verzeichnis)	Ensemble boîtier inférieur (voir la liste séparée)

#	FC9900 Plus	Description	Benennung	Désignation
12	858-634	Screw	Schraube	Vis
13	0524596	Exhaust ring	Entlüftungsring	Anneau d'échappement
14	0524926	Silencer assembly	Schalldämpfer-Baugruppe	Ensemble silencieux
15	0524528A	Filter	Filter	Filtre
16	0524594	Foam tape	Schaumband	Bande de mousse
	0277337	Air hose (not pictured)	Luftschlauch (nicht dargestellt)	Tuyau à air (non illustré)
	0153165	Viscosity cup (not pictured)	Viskositätsbecher (nicht dargestellt)	Godet de viscosimètre (non illustré)
	0275625	Quick-disconnect, female (not pictured)	Schnellanschlussbuchse (nicht abgebildet)	Dégagement rapide, femelle (non illustré)
	0524405A	Air hose, whip (not pictured)	Luftschlauch, Schlauchpeitsche (nicht dargestellt)	Tuyau à air, flexible (non illustré)
	0524041	Spray gun, FC9900 Plus (not pictured)	Spritzpistole, FC9900 Plus (nicht dargestellt)	Pistolet de pulvérisation, FC9900 Plus (non illustré)

#	FC9900 Plus	Denominazione	Descrição	Denominación
1	-----	Assemblaggio del vano di alloggiamento superiore (vedere l'elenco separato)	Conjunto do compartimento superior (consulte a lista avulsa)	Conjunto de la carcasa superior (consulte la lista separada)
2	-----	Assemblaggio della turbina a 5 stadi, 100V-110V~ (vedere l'elenco separato)	Conjunto da turbina de 5 estágios, 100V-110V~ (consulte a lista avulsa)	Conjunto de turbina de 5 etapas, 100V-110V~ (consulte la lista separada)
	-----	Assemblaggio della turbina a 5 stadi, 220V-240V~ (vedere l'elenco separato)	Conjunto da turbina de 5 estágios, 220V-240V~ (consulte a lista avulsa)	Conjunto de turbina de 5 etapas, 220V-240V~ (consulte la lista separada)
3	0524927	Silenziatore lato parete	Silenciador lateral	Silenciador de la pared lateral
4	0524593A	Assemblaggio del silenziatore	Conjunto do silenciador	Conjunto de silenciador
5	0524524	Schiuma sigillante	Espuma de vedação	Espuma de sellado
6	0524948A	Scatola del filtro	Lata do filtro	Recipiente del filtro
7	0293395	Vite	Parafuso	Tornillo
8	0524523A	Filtro	Filtro	Filtro
9	0524526A	Prefiltro	Pré-filtro	Prefiltro
10	0524949A	Coperchio del filtro	Tampa do filtro	Tapa del filtro
11	-----	Assemblaggio del vano di alloggiamento inferiore (vedere l'elenco separato)	Conjunto do compartimento inferior (consulte a lista avulsa)	Conjunto de la carcasa inferior (consulte la lista separada)
12	858-634	Vite	Parafuso	Tornillo
13	0524596	Anello di spurgo	Anel de exaustão	Anillo de escape
14	0524926	Assemblaggio del silenziatore	Conjunto do silenciador	Conjunto de silenciador
15	0524528A	Filtro	Filtro	Filtro
16	0524594	Nastro in schiuma	Fita de espuma	Cinta de espuma
	0277337	Flessibile dell'aria (non incluso nell'illustrazione)	Mangueira de ar (não exibida)	Manguera de aire (no se muestra)
	0153165	Coppa di viscosità (non inclusa nell'illustrazione)	Copo de viscosidade (não exibido)	Depósito de viscosidad (no se muestra)
	0275625	Raccordo a scollegamento rapido, femmina (non incluso nell'illustrazione)	Desconexão rápida, fêmea (não exibida)	Desconexión rápida, hembra (no se muestra)
	0524405A	Flessibile dell'aria, a frusta (non incluso nell'illustrazione)	Mangueira de ar, chicote (não exibida)	Manguera de aire, conexión flexible (no se muestra)
	0524041	Pistola spray, FC9900 Plus (non inclusa nell'illustrazione)	Pistola de pulverização, FC9900 Plus (não exibida)	Pistola pulverizadora, FC9900 Plus (no se muestra)

ILLUSTRATION DES PIÈCES DE RECHANGE

GB TURBINE ASSEMBLY

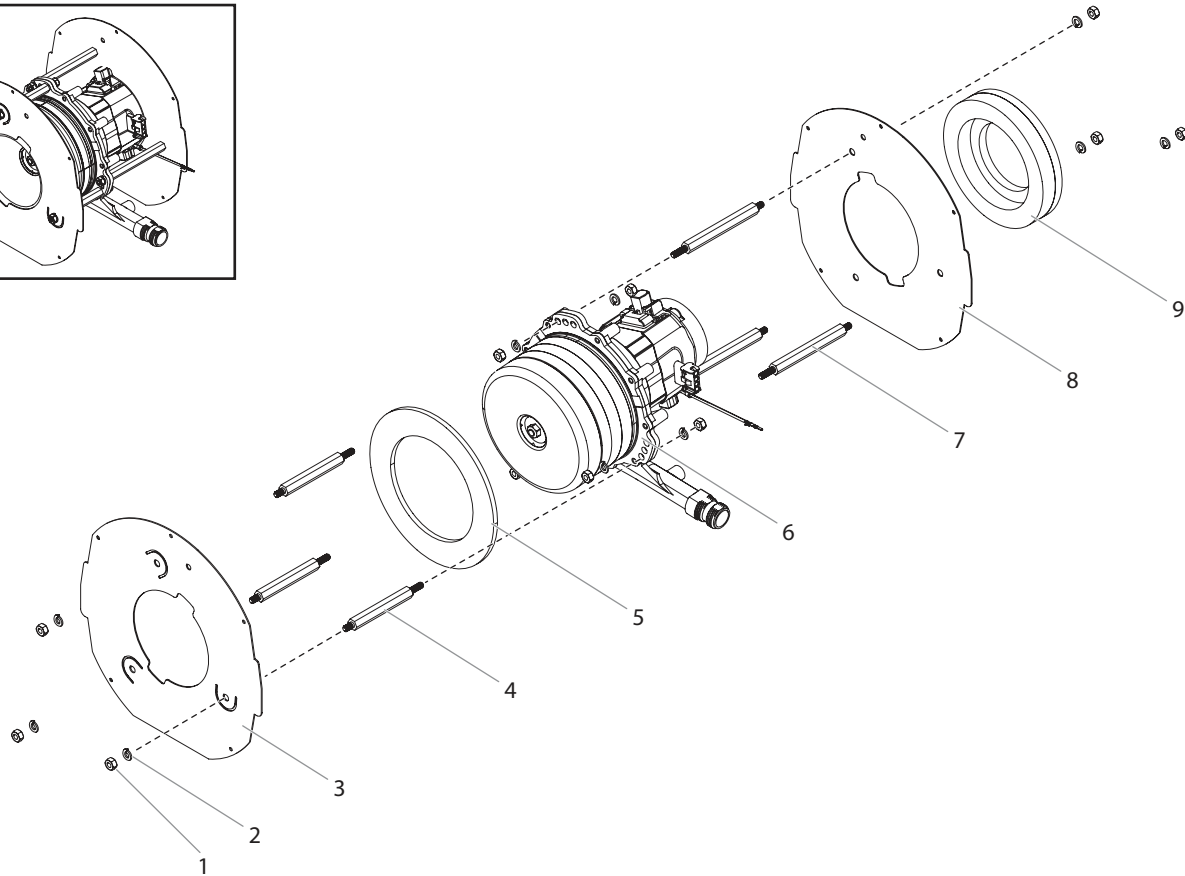
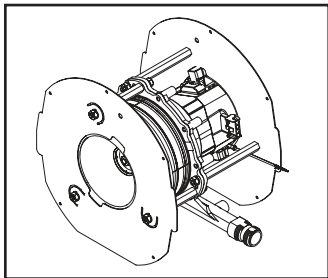
F ENSEMBLE TURBINE

RFB CONJUNTO DA TURBINA

D TURBINENANORDNUNG

I ASSEMBLAGGIO DELLA TURBINA

E CONJUNTO DE TURBINA



#	FC9900 Plus	Description	Benennung	Désignation
1	9810108	Nut	Mutter	Écrou
2	9821503	Lock washer	Unterlegscheibe	Rondelle Grower
3	0524998	Can cover	Behälterabdeckung	Couvercle de carter
4	0524590	Spacer	Abstandshalter	Entretoise
5	0277469	Foam disk	Schaumstoffscheibe	Disque en mousse
6	0524280A	5-Stage turbine assembly, 100V-110V~	5-stufige Turbinenanordnung, 100V-110V~	Ensemble turbine de 5 étapes, 100V-110V~
	0276133A	5-Stage turbine assembly, 220V-240V~	5-stufige Turbinenanordnung, 220V-240V~	Ensemble turbine de 5 étapes, 220V-240V~
7	0524591	Spacer	Abstandshalter	Entretoise
8	0524971A	Can cover	Behälterabdeckung	Couvercle de carter
9	0524687	Motor shroud seal	Motor-Dichtleiste	Joint d'étanchéité de carénage de moteur
	0276878	Motor brush kit	Motor-Bürstensatz	Trousse de brosse à moteur

#	FC9900 Plus	Denominazione	Descrição	Denominación
1	9810108	Dado	Porca	Tuerca
2	9821503	Fermadado	Arruela de fixação	Arandela de seguridad
3	0524998	Coperchio della scatola del filtro	Tampa da lata	Tapa del recipiente
4	0524590	Distanziatore	Espaçador	Separador
5	0277469	Disco in schiuma	Disco de espuma	Disco de espuma
6	0524280A	Assemblaggio della turbina a 5 stadi, 100V-110V~	Conjunto da turbina de 5 estágios, 100V-110V~	Conjunto de turbina de 5 etapas, 100V-110V~
	0276133A	Assemblaggio della turbina a 5 stadi, 220V-240V~	Conjunto da turbina de 5 estágios, 220V-240V~	Conjunto de turbina de 5 etapas, 220V-240V~
7	0524591	Distanziatore	Espaçador	Separador
8	0524971A	Coperchio della scatola del filtro	Tampa da lata	Tapa del recipiente
9	0524687	Guarnizione della copertura protettiva del motore	Vedação do envoltório do motor	Junta de la carcasa del motor
	0276878	Kit per le spazzole del motore	Kit de escova do motor	Kit de escobillas del motor

ILLUSTRATION DES PIÈCES DE RECHANGE

GB UPPER HOUSING ASSEMBLY

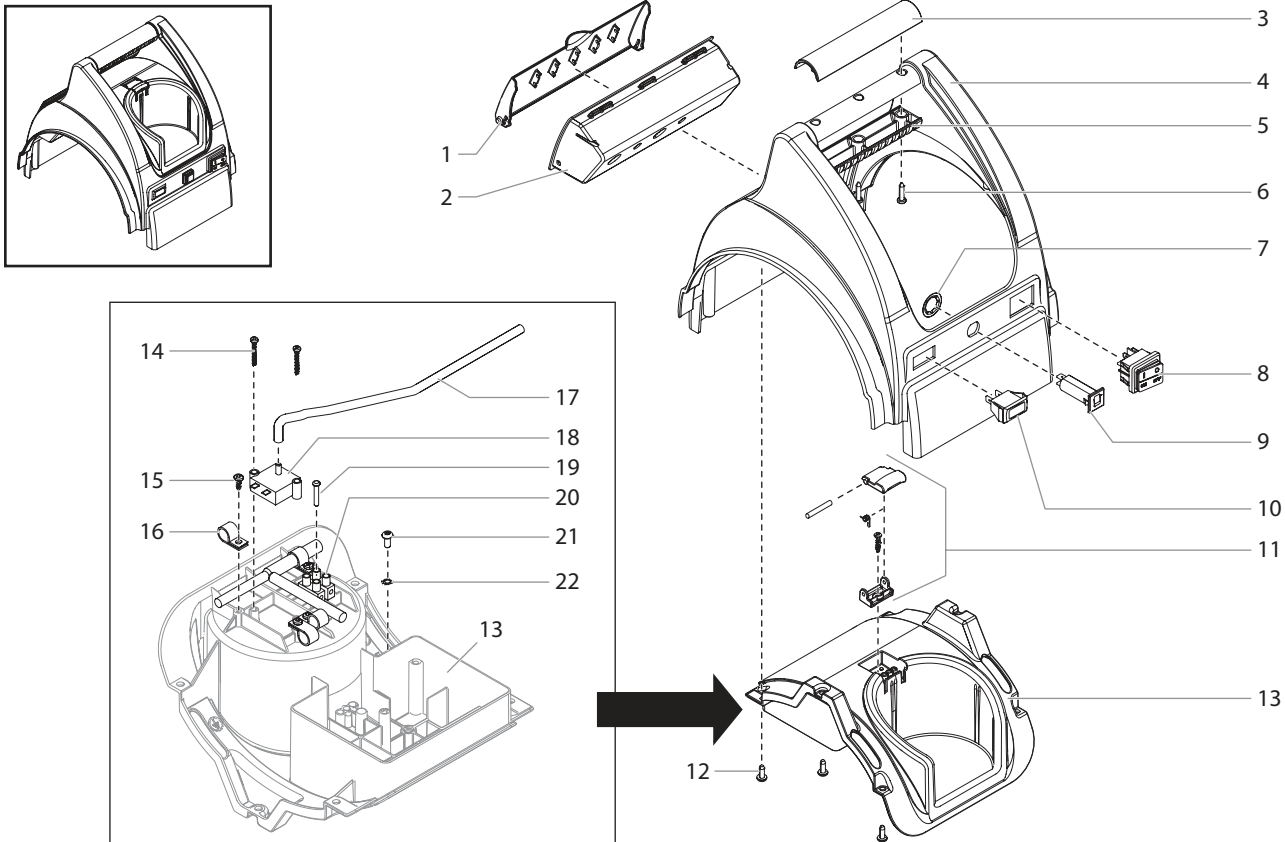
F ENSEMBLE BOÎTIER SUPÉRIEUR

RFB CONJUNTO DO COMPARTIMENTO SUPERIOR

D OBERE GEHÄUSEANORDNUNG

I ASSEMBLAGGIO DEL VANO DI ALLOGGIAMENTO SUPERIORE

E CONJUNTO DE LA CARCASA SUPERIOR



#	FC9900 Plus	Description	Benennung	Désignation
1	0524537	Tool box door	Zugang Werkzeugkasten	Porte de la boîte d'outils
2	0524538	Tool box	Werkzeugkasten	Boîte d'outils
3	0524557	Top handle	Oberer Griff	Poignée supérieure
4	0524531A	Upper housing	Oberes Gehäuse	Boîtier supérieur
5	0524558	Lower handle	Unterer Griff	Poignée inférieure
6	9802266	Screw	Schraube	Vis
7	0524963	Lock washer	Unterlegscheibe	Rondelle Grower
8	0524553	Switch	Schalter	Commutateur
9	0529549	Circuit breaker switch kit, 15A (100V-110V~)	Satz Trennschalter, 15A (100V-110V~)	Trousse de l'interrupteur du disjoncteur, 15 A (100V-110V~)
	0276877	Circuit breaker switch kit, 8A (220V-240V~)	Satz Trennschalter, 8A (220V-240V~)	Trousse de l'interrupteur du disjoncteur, 8 A (220V-240V~)
10	0524547	Warning light assembly (100V-110V~)	Anordnung für Warnleuchten (100V-110V~)	Ensemble témoin (100V-110V~)
	0276795	Warning light assembly (220V-240V~)	Anordnung für Warnleuchten (220V-240V~)	Ensemble témoin (220V-240V~)
11	0524996	Electrical cover assembly	Stromabdeckung	Ensemble couvercle électrique

#	FC9900 Plus	Description	Benennung	Désignation
12	9803104	Screw	Schraube	Vis
13	0524536	Cup holder	Becherhalter	Porte-gobelet
14	9805386	Screw	Schraube	Vis
15	9802265	Screw	Schraube	Vis
16	0524566	Cable clamp	Kabelschelle	Collier de câble
17	0277475	Tube	Rohr	Tuyau
18	0277472	Air flow switch	Schalter Luftdurchsatz	Interrupteur de débit d'air
19	9802905	Screw	Schraube	Vis
20	0524625	Wire assembly	Kabelsatz	Ensemble câbles
21	9805287	Ground screw	Erdungsschraube	Vis de borne de terre
22	9822106	Lock washer	Unterlegscheibe	Rondelle Grower

#	FC9900 Plus	Denominazione	Descrição	Denominación
1	0524537	Sportello del portautensili	Porta da caixa de ferramentas	Puerta de la caja de herramientas
2	0524538	Portautensili	Caixa de ferramentas	Caja de herramientas
3	0524557	Maniglia superiore	Maçaneta superior	Manilla superior
4	0524531A	Vano di alloggiamento superiore	Compartimento superior	Carcasa superior
5	0524558	Maniglia inferiore	Maçaneta inferior	Manilla inferior
6	9802266	Vite	Parafuso	Tornillo
7	0524963	Fermadado	Arruela de fixação	Arandela de seguridad
8	0524553	Commutatore	Interruptor	Interruptor
9	0524549	Kit per l'interruttore di circuito, 15 A (100V-110V~)	Kit do interruptor do disjuntor, 15 A (100V-110V~)	Kit del conmutador del interruptor automático, 15 V (100V-110V~)
	0276877	Kit per l'interruttore di circuito, 8 A (220V-240V~)	Kit do interruptor do disjuntor, 8 A (220V-240V~)	Kit del conmutador del interruptor automático, 8 V (220V-240V~)
10	0524547	Assemblaggio della spia di allarme (100V-110V~)	Conjunto de luz de aviso (100V-110V~)	Conjunto de luz de advertencia (100V-110V~)
	0276795	Assemblaggio della spia di allarme (220V-240V~)	Conjunto de luz de aviso (220V-240V~)	Conjunto de luz de advertencia (220V-240V~)
11	0524996	Assemblaggio del coperchio elettrico	Conjunto da tampa elétrica	Conjunto de la cubierta eléctrica
12	9803104	Vite	Parafuso	Tornillo
13	0524536	Reggicoppa	Suporte do copo	Soporte del depósito
14	9805386	Vite	Parafuso	Tornillo
15	9802265	Vite	Parafuso	Tornillo
16	0524566	Morsetto del cavo	Braçadeira de cabo	Abrazadera de cable
17	0277475	Tubo	Tubo	Tubo
18	0277472	Commutatore del flusso d'aria	Interruptor de fluxo de ar	Interruptor del flujo de aire
19	9802905	Vite	Parafuso	Tornillo
20	0524625	Assemblaggio del cavo	Conjunto do fio	Conjunto de cables
21	9805287	Vite di messa a terra	Parafuso de conexão à terra	Tornillo de conexión a tierra
22	9822106	Fermadado	Arruela de fixação	Arandela de seguridad

ILLUSTRATION DES PIÈCES DE RECHANGE

GB LOWER HOUSING ASSEMBLY

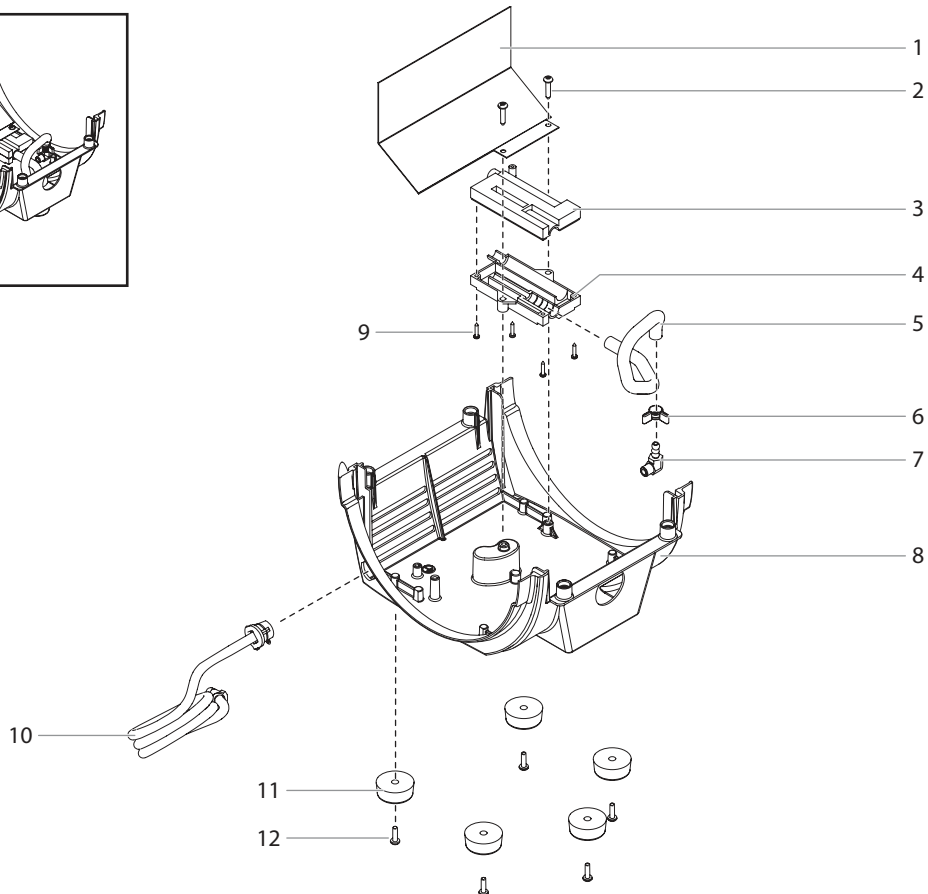
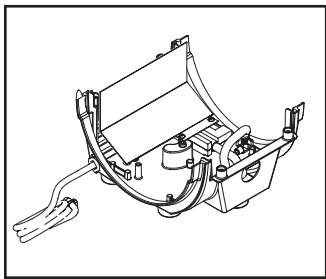
F ENSEMBLE BOÎTIER INFÉRIEUR

RFB CONJUNTO DO COMPARTIMENTO INFERIOR

D UNTERE GEHÄUSEANORDNUNG

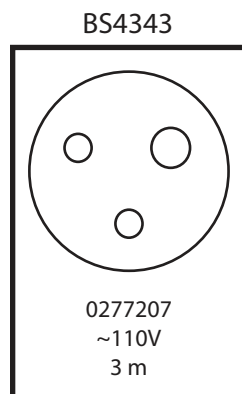
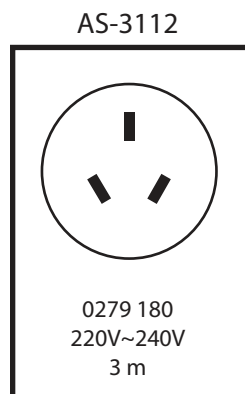
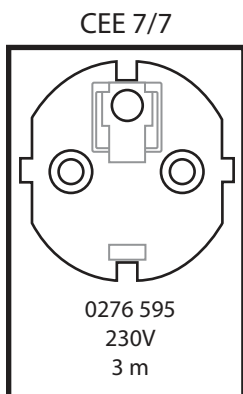
I ASSEMBLAGGIO DEL VANO DI ALLOGGIAMENTO INFERIORE

E CONJUNTO DE LA CARCASA INFERIOR



#	FC9900 Plus	Description	Benennung	Désignation
1	0277278	Water guard	Wasserschutz	Protecteur d'eau
2	9805387	Screw	Schraube	Vis
3	0277443	Bleeder box cover	Abdeckung Entlüfter	Couvercle de boîte de purge
4	0277442	Bleeder box base	Sockel Entlüfter	Base de boîte de purge
5	9881911	Exhaust hose	Abgasschlauch	Tuyau d'évacuation
6	0276512	Hose clamp	Schlauchschelle	Collier de serrage pour tuyaux flexibles
7	0276511	Exhaust hose fitting	Armatur Abgasschlauch	Raccord du tuyau d'évacuation
8	0524532A	Lower housing	Unteres Gehäuse	Boîtier inférieur
9	9802213	Screw	Schraube	Vis
10	-----	Cord / strain relief	Schnur / Zugentlastung	Cordon / serre-câble
11	0090628	Foot pad	Fuß-Auflage	Coussin charnu
12	9802222	Screw	Schraube	Vis

#	FC9900 Plus	Denominazione	Descrição	Denominación
1	0277278	Protezione dell'acqua	Protetor de água	Protector de agua
2	9805387	Vite	Parafuso	Tornillo
3	0277443	Coperchio della cassetta di spurgo	Tampa da caixa de sangria	Tapa de la caja del purgador
4	0277442	Base della cassetta di spurgo	Base da caixa de sangria	Base de la caja del purgador
5	9881911	Flessibile di scarico	Mangueira de exaustão	Manguera de escape
6	0276512	Morsetto del flessibile	Braçadeira da mangueira	Abrazadera de la manguera
7	0276511	Raccordo del flessibile di scarico	Encaixe da mangueira de exaustão	Acople de la manguera de escape
8	0524532A	Vano di alloggiamento inferiore	Compartimento inferior	Carcasa inferior
9	9802213	Vite	Parafuso	Tornillo
10	-----	Cavo/Serracavo	Cabo/dispositivo de alívio de tensão	Cable / protección contra tirones
11	0090628	Poggiapiedi	Apoio de pé	Almohadilla de la base
12	9802222	Vite	Parafuso	Tornillo



#	FC9900 Plus	Description	Benennung	Désignation
1	0524547	Warning light assembly (100V-110V~)	Anordnung für Warnleuchten (100V-110V~)	Ensemble témoin (100V-110V~)
	0276795	Warning light assembly (220V-240V~)	Anordnung für Warnleuchten (220V-240V~)	Ensemble témoin (220V-240V~)
2	0524549	Circuit breaker (100V-110V~)	Leistungsschalter (100V-110V~)	Disjoncteur (100V-110V~)
	0276877	Circuit breaker (220V-240V~)	Leistungsschalter (220V-240V~)	Disjoncteur (220V-240V~)
3	0524553	ON/OFF switch	EIN/AUS-Schalter	Commutateur
4	0277472	Air flow switch	Schalter Luftdurchsatz	Interrupteur de débit d'air
5	-----	Power cord	Stromkabel	Cordon d'alimentation
6	-----	Turbine	Turbine	Turbine

#	FC9900 Plus	Denominazione	Descrição	Denominación
1	0524547	Assemblaggio della spia di allarme (100V-110V~)	Conjunto de luz de aviso (100V-110V~)	Conjunto de luz de advertencia (100V-110V~)
	0276795	Assemblaggio della spia di allarme (220V-240V~)	Conjunto de luz de aviso (220V-240V~)	Conjunto de luz de advertencia (220V-240V~)
2	0524549	Interruttore di circuito (100V-110V~)	Disjuntor (100V-110V~)	Interruptor automático (100V-110V~)
	0276877	Interruttore di circuito (220V-240V~)	Disjuntor (220V-240V~)	Interruptor automático (220V-240V~)
3	0524553	Commutatore di accensione/spengimento	Chave de posição ON/OFF	Interruptor ON/OFF
4	0277472	Commutatore del flusso d'aria	Interruptor de fluxo de ar	Interruptor del flujo de aire
5	-----	Cavo di alimentazione	Cabo de energia	Cable de alimentación
6	-----	Turbina	Turbina	Turbina

GB	<p>EU Declaration of conformity</p> <p>We declare under sole responsibility that this product conforms to the following relevant stipulations: 2006/42/EC, 2014/30/EU, 2011/65/EU, 2012/19/EU Applied harmonised norms: EN ISO 12100, EN 1953, EN 60204-1, EN 61000-3-2, EN 61000-3-3, EN 61000-6-1, EN 61000-6-3</p> <p>The EU declaration of conformity is enclosed with the product. If required, it can be re-ordered using order number 2389561.</p>
D	<p>EU Konformitätserklärung</p> <p>Wir erklären in alleiniger Verantwortung, dass dieses Produkt den folgenden einschlägigen Bestimmungen entspricht: 2006/42/EG, 2014/30/EU, 2011/65/EU, 2012/19/EU Angewandte harmonisierte Normen: EN ISO 12100, EN 1953, EN 60204-1, EN 61000-3-2, EN 61000-3-3, EN 61000-6-1, EN 61000-6-3</p> <p>Die EU Konformitätserklärung liegt dem Produkt bei. Sie kann bei Bedarf mit der Bestellnummer 2389561 nachbestellt werden.</p>
F	<p>Déclaration de conformité UE</p> <p>Nous déclarons sous notre responsabilité que ce produit est en conformité avec les réglementations suivantes: 2006/42/CE, 2014/30/UE, 2011/65/UE, 2012/19/UE Conforme aux normes et documents normalisés: EN ISO 12100, EN 1953, EN 60204-1, EN 61000-3-2, EN 61000-3-3, EN 61000-6-1, EN 61000-6-3</p> <p>La déclaration de conformité UE est jointe à ce produit. Elle peut être commandée au besoin sous le numéro de commande 2389561.</p>
I	<p>Dichiarazione di conformità UE</p> <p>Dichiariamo sotto la nostra esclusiva responsabilità, che il presente prodotto corrisponde alle relative disposizioni seguenti: 2006/42/CE, 2014/30/UE, 2011/65/UE, 2012/19/UE Norme armonizzate: EN ISO 12100, EN 1953, EN 60204-1, EN 61000-3-2, EN 61000-3-3, EN 61000-6-1, EN 61000-6-3</p> <p>La dichiarazione di conformità UE è allegata al prodotto. Se necessario, può esserne richiesta una copia con il numero d'ordine 2389561.</p>
E	<p>Declaración UE de conformidad</p> <p>Mediante la presente garantizamos, bajo nuestra exclusiva responsabilidad, que este producto cumple con las correspondientes disposiciones: 2006/42/CE, 2014/30/UE, 2011/65/UE, 2012/19/UE Normas armonizadas aplicadas: EN ISO 12100, EN 1953, EN 60204-1, EN 61000-3-2, EN 61000-3-3, EN 61000-6-1, EN 61000-6-3</p> <p>El producto viene acompañado de la declaración UE de conformidad. Si lo necesita, puede pedirla adicionalmente por el número de pedido 2389561.</p>
NL	<p>EU-conformiteitsverklaring</p> <p>Wij verklaren dat dit product voldoet aan de volgende normen: 2006/42/EG, 2014/30/EU, 2011/65/EU, 2012/19/EU En normatieve documenten: EN ISO 12100, EN 1953, EN 60204-1, EN 61000-3-2, EN 61000-3-3, EN 61000-6-1, EN 61000-6-3</p> <p>De EU-conformiteitsverklaring wordt met het product meegeleverd. Indien nodig kan de verklaring met bestelnummer 2389561 worden nabesteld.</p>

DK	<p>EU Overensstemmelseserklæring</p> <p>Vi erklærer under almindeligt ansvar, at dette produkt er i overensstemmelse med følgende bestemmelser: 2006/42/EF, 2014/30/EU, 2011/65/EU, 2012/19/EU</p> <p>Anvendte harmoniserede normer: EN ISO 12100, EN 1953, EN 60204-1, EN 61000-3-2, EN 61000-3-3, EN 61000-6-1, EN 61000-6-3</p> <p>EU Overensstemmelseserklæringen er vedlagt produktet. Om nødvendigt kan den efterbestilles med bestillingsnummer 2389561.</p>
S	<p>EU Konformitetsförklaring</p> <p>Vi intygar och ansvarar för, att denna produkt överensstämmer med följande norm och dokument: 2006/42/EG, 2014/30/EU, 2011/65/EU, 2012/19/EU</p> <p>Använta harmoniserade normer: EN ISO 12100, EN 1953, EN 60204-1, EN 61000-3-2, EN 61000-3-3, EN 61000-6-1, EN 61000-6-3</p> <p>EU-konformitetsförklaringen medföljer produkten. Den kan vid behov beställas genom ordernummer 2389561.</p>
P	<p>Declaração de Conformidade UE</p> <p>Pela presente garantimos, sob a nossa exclusiva responsabilidade, que este produto cumpre com as correspondentes disposições: 2006/42/CE, 2014/30/UE, 2011/65/UE, 2012/19/UE</p> <p>Normas harmonizadas aplicadas: EN ISO 12100, EN 1953, EN 60204-1, EN 61000-3-2, EN 61000-3-3, EN 61000-6-1, EN 61000-6-3</p> <p>A Declaração de Conformidade EU é fornecida juntamente com o produto. Se necessário, pode ser pedido novo exemplar desta declaração com o número de encomenda 2389561.</p>

- GB -

Note on disposal:

In observance of the European Directive 2002/96/EC on waste electrical and electronic equipment and implementation in accordance with national law, this product is not to be disposed of together with household waste material but must be recycled in an environmentally friendly way!

Wagner or one of our dealers will take back your used Wagner waste electrical or electronic equipment and will dispose of it for you in an environmentally friendly way. Please ask your local Wagner service centre or dealer for details or contact us direct.



- D -

Entsorgungshinweis:

Gemäß der europäischen Richtlinie 2002/96/EG zur Entsorgung von Elektro-Altgeräten, und deren Umsetzung in nationales Recht, ist dieses Produkt nicht über den Hausmüll zu entsorgen, sondern muss der umweltgerechten Wiederverwertung zugeführt werden!

Ihr Wagner-Altgerät wird von uns, bzw. unseren Handelsvertretungen zurückgenommen und für Sie umweltgerecht entsorgt. Wenden Sie sich in diesem Fall an einen unserer Service-Stützpunkte, bzw. Handelsvertretungen oder direkt an uns.



- F -

Consignes d'élimination:

Selon la directive européenne 2002/96/CE sur l'élimination des vieux appareils électriques et sa conversion en droit national, ce produit ne peut pas être jeté dans les ordures ménagères, mais est à amener à un point de recyclage en vue d'une élimination dans le respect de l'environnement!

Wagner, resp. nos représentations commerciales reprennent votre vieil appareil Wagner pour l'éliminer dans le respect de l'environnement. Adressez-vous donc directement à nos points de service resp. représentations commerciales ou directement à nous.



- I -

Indicazione per lo smaltimento:

Secondo la direttiva europea 2002/96/CE per lo smaltimento di vecchi apparecchi elettrici e la sua conversione nel diritto nazionale, questo prodotto non va smaltito attraverso i rifiuti domestici, bensì va smaltito portandolo al riutilizzo in conformità della tutela ambiente!

Il Vs. apparecchio vecchio Wagner verrà preso indietro da noi risp. dalle nostre rappresentanze commerciali e smaltito per Voi in conformità della tutela ambiente. In questo caso rivolgetevi ad uno dei nostri punti di servizio per l'assistenza clienti, risp. ad una delle nostre rappresentanze commerciali oppure direttamente a noi.



- RFB -

Note on disposal:

Em observância à Diretiva Europeia 2002/96/EC sobre equipamentos elétricos e eletrônicos descartados e implementação conforme a legislação nacional, este produto não deve ser descartado junto ao lixo doméstico, devendo ser reciclado de forma ambiental!

A Wagner ou um dos nossos revendedores receberá seu equipamento elétrico ou eletrônico Wagner usado e o descartará de forma ambiental. Solicite detalhes ao seu centro de serviço local Wagner ou entre em contato diretamente conosco.



- E -

Observación sobre la eliminación de residuos:

De acuerdo con la directriz europea 2002/96/CE referente a la eliminación de aparatos eléctricos usados y su puesta en la práctica en el derecho nacional, este producto no se deberá eliminar en la basura doméstica, ¡sino que se deberá llevar a una planta de reciclaje ecológico!

Su aparato usado de Wagner nos lo puede entregar a nosotros o a una de nuestras agencias comerciales, del resto nos ocupamos nosotros, es decir, de la eliminación ecológica de los residuos. Diríjase en este caso a uno de nuestros centros de asistencia técnica o a una de nuestras agencias comerciales o bien directamente a nosotros.



Berlin

J. Wagner GmbH
Service-Stützpunkt
Flottenstraße 28-42
13407 Berlin
Tel. 0 30/ 41 10 93 86
Telefax 0 30 / 41 10 93 87

Grünstadt

J. Wagner GmbH
Service-Stützpunkt
Dieselstraße 1
67269 Grünstadt
Tel. 0 63 59/ 87 27 55 0
Telefax 0 63 59/ 80 74 80

Ratingen

J. Wagner GmbH
Service-Stützpunkt
Siemensstraße 6-10
40885 Ratingen
Tel. 0 21 02 / 3 10 37
Telefax 0 21 02 / 3 43 95

Heidersdorf in Sachsen

J. Wagner GmbH
Service-Stützpunkt
Olbernhauer Straße 11
09526 Heidersdorf
Tel. 03 73 61 / 1 57 07
Telefax 03 73 61 / 1 57 08

Hannover

J. Wagner GmbH
Service-Stützpunkt
Kornstraße 20
31535 Neustadt
Tel. 0 50 32-8 00 06 23
Telefax 0 50 32-8 00 06 24

München

Jahnke GmbH
Hochstraße 7
82024 Taufkirchen
Tel. 0 89 /6 14 00 22
Telefax 0 89 / 6 14 04 33
email: info@airless.de
www.airless.de

Nürnberg

Grimmer GmbH
Starenweg 28
91126 Schwabach
Tel. 0 91 22 / 7 94 73
Telefax 0 91 22 / 7 94 75 0
email: info@grimmer-sc.de
www.grimmer-sc.de

Markdorf – Zentrale

J. WAGNER GmbH
Otto-Lilienthal-Straße 18
88677 Markdorf
Postfach 11 20
88669 Markdorf
Tel. 0 75 44 / 505-0
Telefax 0 75 44 / 505-1200
www.wagner-group.com

Kundenzentrum

Tel. 0 75 44 / 505-1666
Telefax 0 75 44 / 505-1155
email: kundenzentrum@wagner-group.com

Technischer Service

Tel. 0180 5 59 24 637
(14 Cent/Minute aus dem deutschen
Festnetz, Mobilfunk max. 42 Cent/Min)

WAGNER KONTAKTNETZ DEUTSCHLAND, IM INTERNET ZU FINDEN UNTER: WWW.WAGNER-GROUP.COM/PROFI

- A** J. Wagner Ges.m.b.H.
Ottogasse 2/20
2333 Leopoldsdorf
Österreich
Tel. +43/ 2235 / 44 158
Telefax +43/ 2235 / 44 163
office@wagner-group.at
- B** WSB Finishing Equipment
Veilinglaan 56-58
1861 Meise-Wolvertem
Belgium
Tel. +32/2/269 46 75
Telefax +32/2/269 78 45
info@wagner-wsb.nl
- CH** Wagner International AG
Industriestrasse 22
9450 Altstätten
Schweiz
Tel. +41/71 / 7 57 22 11
Telefax +41/71 / 7 57 22 22
wagner@wagner-group.ch
- D** J. Wagner GmbH
Otto-Lilienthal-Straße 18
D-88677 Markdorf
Postfach 11 20
D-88669 Markdorf
Deutschland
Tel.: +49 / 75 44 / 505 -1664
Fax: +49 / 75 44 / 505 -1155
wagner@wagner-group.com
www.wagner-group.com
- CZ** E-Coreco s.r.o.
Na Roudné 102
301 00 Plzeň
Czechia
Tel. +420 734 792 823
Telefax 420 227 077 364
info@aplikacebarev.cz
- DK** Wagner Spraytech
Scandinavia A/S
Helgeshøj Allé 28
2630 Taastrup
Denmark
Tel. +45 43 27 18 18
Telefax +45 43 43 05 28
wagner@wagner-group.dk
- E** Makimport Herramientas, S.L.
C/ Méjico nº 6
Pol. El Descubrimiento
28806 Alcalá de Henares (Madrid)
Tel. 902 199 021/ 91 879 72 00
Telefax 91 883 19 59
ventas@grupo-k.es
info@grupo-k.es
- F** Euromair Antony
S.A.V. Ile-de-France
12-14, av. F. Sommer
92160 Antony
Tel. 01.55.59.92.42
Telefax +33 (0) 1 69 81 72 57
conseil.paris@euromair.com
- F** Euromair Distribution
Siège Social / S.A.V. Sud
343, bd. F. Perrin
13106 Rousset Cedex
Tel. 04.42.29.08.96
Telefax 04.42.53.44.36
conseil@euromair.com
- GB** Wagner Spraytech (UK) Limited
The Coach House
2 Main Road
Middleton Cheney OX17 2ND
Great Britain
UK-Helpline 01295 714200
Fax 01295 710100
enquiries@wagnerspraytech.co.uk
- I** Wagner S.p.A.
23868 Valmadrera (Lc)
Via Santa Vecchia, 109
Italia
Tel./Fax 0341 210100 (centralino)

wagner_it_va@wagner-group.com
- NL** WSB Finishing Equipment BV
De Heldinnenlaan 200,
3543 MB Utrecht
Netherlands
Tel. +31/ 30/241 41 55
Telefax +31/ 30/241 17 87
info@wagner-wsb.nl
- S** Wagner Spraytech
Scandinavia A/S
Helgeshøj Allé 28
2630 Taastrup
Denmark
Tel. +45 43 27 18 18
Telefax +45 43 43 05 28
wagner@wagner-group.dk
- RU** ООО Мефферт Полилюкс
142407 Россия, Московская обл,
Ногинский р-н, территория
«Ногинск-Технопарк» д.14
Tel. +7 495 221 6666
Telefax +7 495 99 55 88 2
2216666@m-p-l.ru
dis@m-p-l.ru

www.wagner-group.com