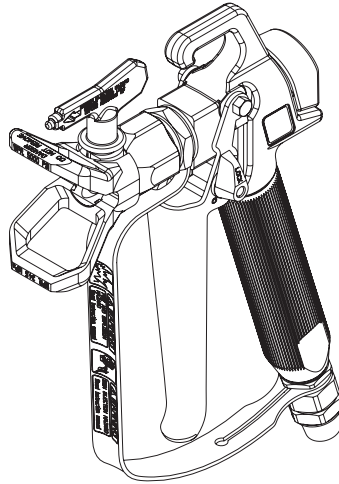


WAGNER®

AG-08

High-Capacity Spray Gun

Betriebsanleitung • Owner's Manual
Manuel d'utilisateur • Manuale dell'utente
Manual de usuario • Gebruikshandleiding
Ejermanual • Användarmanual



Model Numbers:

G-THD, 1/4"	0296362
G-THD, 1/4", no tip.....	0296386
G-THD, 1/4", no tip, 2 Fgr.....	0296467
F-THD, 1/4"	0296393
F-THD, 1/4", no tip	0296388
F-THD, 1/4", no tip, 2 Fgr	0296465
F-THD, 1/4", striping, 2 Fgr	0296392

Deutsch	p. 2
English.....	p. 10
Français.....	p. 18
Italiano.....	p. 26
Español.....	p. 34
Nederlands.....	b. 42
Dansk.....	s. 50
Svenska.....	s. 58

0311 • Form No. 0296396H



Safety Precautions



A high pressure stream produced by this equipment can pierce the skin and underlying tissues, leading to serious injury and possible amputation. See a physician immediately.

DO NOT TREAT AN INJECTION INJURY AS A SIMPLE CUT! Injection can lead to amputation. See a physician immediately. Inform the physician of the type of coating material or cleaning agent with which the injury was caused.

The maximum operating range of the spray gun is 25 MPa / 3600 PSI fluid pressure.

- NEVER aim the gun at any part of the body.
- NEVER allow any part of the body to touch the fluid stream. DO NOT allow body to touch a leak in the fluid hose.
- NEVER put hand in front of the gun. Gloves will not provide protection against an injection injury.
- Never point the spray gun at anyone else.
- ALWAYS lock the gun trigger, shut the pump off, and release all pressure before servicing, cleaning the tip or guard, changing tip, or leaving unattended. Pressure will not be released by turning off the motor. The PRIME/SPRAY valve must be turned to PRIME to relieve the pressure. Refer to the Pressure Relief Pressure described in the pump manual.
- ALWAYS keep the tip guard in place while spraying. The tip guard provides some protection but is mainly a warning device.
- ALWAYS remove the spray tip before flushing or cleaning the system.
- The paint hose can develop leaks from wear, kinking and abuse. A leak can inject material into the skin. Inspect the hose before each use.
- NEVER use a spray gun without a trigger lock and trigger guard in place and in good working order.
- All accessories must be rated at or above the maximum operating pressure range of the airless sprayer. This includes spray tips, extensions, and hose.

Be safety-conscious!

All local and national regulations governing ventilation, fire prevention, and operation must be observed.



EXPLOSION HAZARD DUE TO INCOMPATIBLE MATERIALS - will cause severe injury or property damage.

- Do not use materials containing bleach or chlorine.
- Do not use halogenated hydrocarbon solvents such as bleach, mildewcide, methylene chloride and 1,1,1 - trichloroethane. They are not compatible with aluminum.
- Contact your coating material supplier about the compatibility of material with aluminum.



In order to ensure safe operation of the spray gun, the safety regulations listed below must be followed:

1. Read all instructions and safety precautions before operating equipment.
2. Never spray near sources of ignition; e.g. open flames, cigarettes — also cigars and pipes are sources of ignition —, sparks, hot wires and hot surfaces, etc.
3. Wear respiratory equipment when spraying. The operator must be provided with a protective mask.

In order to prevent work related illness, the manufacturer's regulations for the materials, solvents, and cleaning agents used must be observed when preparing, working with and cleaning the unit. Protective clothing, gloves, eyewear, and, in certain cases, protective skin cream are necessary to protect the skin.

4. Follow the coating material and solvent manufacturer's warnings and instructions.
5. Extraction equipment should be installed by the user in accordance with local regulations.



6. The objects being sprayed must be earthed.
7. Before each use, check all hoses for cuts, leaks, abrasion or bulging of cover. Check for damage or movement of couplings. Immediately replace the hose if any of these conditions exist. Never repair a paint hose. Replace it with another grounded high-pressure hose.
8. Pulling the trigger causes a recoil force to the hand that is holding the spray gun.
The recoil force of the spray gun is particularly powerful when the tip has been removed and a high pressure has been set on the airless high-pressure pump. Therefore, when cleaning without tip set the pressure control valve to the lowest pressure.
9. Use only manufacturer authorized parts. User assumes all risks and liabilities when using parts that do not meet the minimum specifications and safety devices of the spray gun manufacturer.

Specifications

Maximum operating pressure	25 MPa (3600 PSI)
Material inlet thread size	M16 x 1.5 (NPSM 1/4")
Diffuser thread size	7/8 - 14 UNF-2A
Wetted parts material	High-grade steel aluminum Teflon hard metal
Operating temperature range	5°C to 40°C (40°F to 104°F)
Maximum material temperature	43°C (109°F)
Maximum sound output	81 dB(A)*
Weight	450 g (1 lb.)

* Measurement location: 0.5 m away from the coating surface, 0.5 m behind the spray gun, spray pressure 12 MPa, tip size 0.021

Introduction

This airless spray gun is to be used for the high pressure atomization of liquid coating materials. The spray gun corresponds with Ex II 2G X and is, in accordance with Directive 94/9/EEC (Atex 100a), suitable for use in explosion-hazardous areas—as of type Zone 1. Under certain circumstances, the unit itself may cause the Zone 1 condition to be in effect.

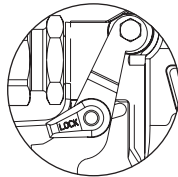
X marking: Any static-electricity discharge from the spray gun is to be diverted to the grounded high-pressure pump via the conductive high-pressure hose as stipulated.

To avoid the generation of machine sparks, prevent impact stresses and any work on the unit with tools in the explosion-hazardous area.

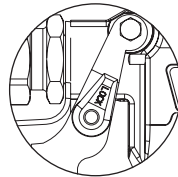
Using the Gun Trigger Lock

Always engage the gun's trigger lock when the gun is not in use.

1. To lock the trigger, rotate the trigger lock forward until it stops.
2. To unlock the trigger, rotate the trigger lock backward until it is vertical.



Trigger locked
(gun will not spray)



Trigger unlocked
(gun will spray)

Setup

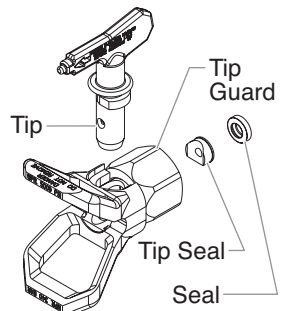


Never attempt to assemble, change, or clean the gun, tip, or tip guard without first relieving pressure from the spray system. Follow the “Pressure Relief Procedure” in the sprayer’s Owner’s Manual.



Always use a tip safety guard for added protection against injection. Beware that the guard alone will not prevent injection. Never cut off tip guard! Always engage gun trigger lock when the gun is not in use. Before servicing equipment, consult Owner’s Manuals and follow all warnings.

1. Set up the sprayer. Refer to the instructions in the sprayer’s Owner’s Manual.
2. Attach a grounded, airless spray hose to the material inlet on the gun. Using two wrenches (one on the gun and one on the hose), tighten securely.
3. With the tip and tip guard off the gun, start the sprayer. Flush and prepare the spray system according to the sprayer’s Owner’s Manual. Inspect the spray system to make sure that all fittings are secure and that there are no leaks.
4. Perform the “Pressure Relief Procedure” described in the sprayer’s Owner’s Manual.
5. Using a pen or similar object, insert the tip seal and seal into the back of the tip guard. Press in for final adjustment.
6. Insert the tip into the slot on the tip guard.
7. Thread the tip guard onto the gun. Position the tip guard in the desired spraying position, then tighten securely.



The arrow on the tip handle should be pointing in the forward direction for spraying.

Operation

1. Make sure the arrow on the tip handle is pointing in the forward direction for spraying.
2. Start the sprayer. Refer to the instructions in the sprayer's Owner's Manual.
3. Adjust the fluid pressure on the sprayer until the spray is completely atomized. Always spray at the lowest pressure necessary to get the desired results.



The spray tip determines the size of spray pattern and coverage. When more coverage is needed, use a larger tip instead of increasing fluid pressure.

4. To clear a clogged tip:
 - a. Rotate the tip 180° so that the arrow on the tip handle is pointing opposite the spray direction.
 - b. Trigger the gun once so that the pressure can blow the clog out.



Never pull the trigger more than once at time with the tip in the reverse position.

- c. Continue this procedure until the tip is clear of the clog.

Changing a Tip

Tips can be removed and replaced easily without disassembling the gun.



Never attempt to change or clean the tip or tip guard without first performing the "Pressure Relief Procedure."

1. Perform the "Pressure Relief Procedure" described in the sprayer's Owner's Manual.
2. Remove the tip from the slot on the tip guard.
3. Insert the new tip into the slot on the tip guard. The arrow on the tip handle should be pointing in the forward direction for spraying.

Removing the Seal and Tip seal

1. Remove the tip and tip guard from the spray gun.
2. Remove the seal and tip seal from the back of the tip guard.

Identifying Tip Sizes

To identify tip sizes, use the following formula. A "517" tip size will be used in this example.

The first digit multiplied by two represents the size of the spray pattern when spraying 12" away from the work surface:

$$5 \times 2 = 10" \text{ spray pattern}$$

The second two digits represent the diameter of the orifice on the tip:

$$17 = .017" \text{ orifice}$$



Worn spray tips will adversely affect the spray pattern and result in reduced production, poor finish, and wasted material. Replace worn tips immediately.

Cleanup

Maintaining a clean gun is important to ensure trouble-free operation. Flush the gun after each use and store in a dry location. Do not leave the gun or any of its parts in water or solvents.



Special cleanup instructions for use with flammable solvents:

- Always flush spray gun preferably outside and at least one hose length from spray pump.
- If collecting flushed solvents in a one gallon metal container, place it into an empty five gallon container, then flush solvents.
- Area must be free of flammable vapors.
- Follow all cleanup instructions.

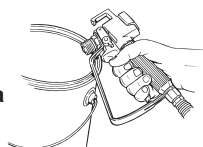


Attention

The sprayer, hose, and gun should be cleaned thoroughly after daily use. Failure to do so permits material to cake, seriously affecting the performance of the unit.



Always spray at minimum pressure with the tip and tip guard removed when using mineral spirits or any other solvent to clean the sprayer, hose, or gun. Static electricity buildup may result in a fire or explosion in the presence of flammable vapors. Hold the gun firmly against a metal container while flushing.



Maintenance



Follow all safety precautions as described in the Safety Precautions section of this manual before proceeding.



Refer to the Parts List section in this manual for part identification.

Replacing/Serviceing the Seal Assembly

If your spray gun leaks or spits at the tip when you release the trigger, the needle or seat is worn, damaged, or dirty and must be replaced or cleaned.



Never attempt to perform maintenance on the spray gun without first performing the “Pressure Relief Procedure.”

1. Disconnect the fluid hose from the gun.
2. Remove the tip and tip guard.
3. With the trigger depressed, remove the diffuser from the front of the gun.
4. Remove the lock nut, rear housing, and retractor pins from the rear of the gun head.
5. Remove the seal assembly from the front of the gun head by pushing or gently tapping at the back of the seal assembly.
6. Soak the removed parts in the appropriate solvent and wipe clean.
7. Inspect the parts for wear or damage and use new parts during reassembly of the gun, when necessary.



Lubricate all packings and moving parts before reassembly with a lithium-based grease.

8. Install the seal assembly into the front of the gun head.

9. Install the retractor pins into the rear of the gun head. Slide the rear housing onto the retractor pins and secure in position with the lock nut.
10. With the trigger depressed, install the diffuser into the front of the gun head and tighten securely with a wrench.
11. Perform the “Adjusting the Seal Assembly” procedure described below.

Adjusting the Seal Assembly



Proper adjustment of the seal assembly is essential to ensure positive shut-off when the trigger is released.

1. Tighten the lock nut until the rear housing is flush against the gun head.
2. Unscrew the lock nut 3/4 of a turn.



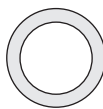
To check the adjustment of the seal assembly:

1. **Move the gun trigger lock to the locked position.**
2. **Pull the trigger.**

With the trigger lock engaged, there should be 1/32” of movement between the lock nut and the rear housing while pulling the trigger.

Replacing/Removing the Filter

1. Pull the bottom of the trigger guard forward so that it comes loose from the handle assembly.
2. Loosen and remove the handle assembly from the gun head.
3. Pull the old filter out of the gun head.
4. Slide the new filter, tapered end first, into the gun head.
5. Place the handle seal into the gun head with the flat side of the seal toward the gun head.
6. Thread the handle assembly into the gun head until secure.
7. Snap the trigger guard back onto the handle assembly.



Flat side of handle seal (toward gun head)



Bevelled side of handle seal (toward handle)

Filter Chart

Part Number	Application	Filter Type	Color of Filter Body
0034383	Synthetic resin, enamels, clean varnishes, stains azures	Extrafine	red
0043235	Base coat enamels, primer enamels, fillers, marking paints, textured enamels	Fine	yellow
0034377	Emulsions, latex paints, acrylic paints	Medium	white
0089323	Filler paints, large area surfaces	Coarse	green

Parts list, page 66



Important notes on product liability

As a result of an EC regulation being effective as from January 1, 1990, the manufacturer shall only be liable for his product if all parts come from him or are released by him, and if the devices are properly mounted and operated.

If the user applies outside accessories and spare parts, the manufacturer's liability can fully or partially be inapplicable; in extreme cases usage of the entire device can be prohibited by the competent authorities (employer's liability insurance association and factory inspectorate division).

Only the usage of original WAGNER accessories and spare parts guarantees that all safety regulations are observed.

3+2 years guarantee for professional finishing

Wagner professional guarantee

(Status 01.02.2009)

1. Scope of guarantee

All Wagner professional colour application devices (hereafter referred to as products) are carefully inspected, tested and are subject to strict checks under Wagner quality assurance. Wagner exclusively issues extended guarantees to commercial or professional users (hereafter referred to as "customer") who have purchased the product in an authorised specialist shop, and which relate to the products listed for that customer on the Internet under www.wagner-group.com/profi-guarantee.

The buyer's claim for liability for defects from the purchase agreement with the seller as well as statutory rights are not impaired by this guarantee.

We provide a guarantee in that we decide whether to replace or repair the product or individual parts, or take the device back and reimburse the purchase price. The costs for materials and working hours are our responsibility. Replaced products or parts become our property.

2. Guarantee period and registration

The guarantee period amounts to 36 months. For industrial use or equal wear, such as shift operations in particular, or in the event of rentals it amounts to 12 months.

Systems driven by petrol or air are also guaranteed for a 12 month period.

The guarantee period begins with the day of delivery by the authorised specialist shop. The date on the original purchase document is authoritative.

For all products bought in authorised specialist shops from 01.02.2009 the guarantee period is extended to 24 months providing the buyer of these devices registers in accordance with the following conditions within 4 weeks of the day of delivery by the authorised specialist shop.

Registration can be completed on the Internet under www.wagner-group.com/profi-guarantee. The guarantee certificate is valid as confirmation, as is the original purchase document that carries the date of the purchase. Registration is only possible if the buyer is in agreement with having the data being stored that is entered during registration.

When services are carried out under guarantee the guarantee period for the product is neither extended nor renewed.

Once the guarantee period has expired, claims made against the guarantee or from the guarantee can no longer be enforced.

3. Handling

If defects can be seen in the materials, processing or performance of the device during the guarantee period, guarantee claims must be made immediately, or at the latest within a period of 2 weeks.

The authorised specialist shop that delivered the device is entitled to accept guarantee claims.

Guarantee claims may also be made to the service centres named in our operating instructions. The product has to be sent without charge or presented together with the original purchase document that includes details of the purchase date and the name of the product. In order to claim for an extension to the guarantee, the guarantee certificate must be included.

The costs as well as the risk of loss or damage to the product in transit or by the centre that accepts the guarantee claims or who delivers the repaired product, are the responsibility of the customer.



4. Exclusion of guarantee

Guarantee claims cannot be considered

- for parts that are subject to wear and tear due to use or other natural wear and tear, as well as defects in the product that are a result of natural wear and tear, or wear and tear due to use. This includes in particular cables, valves, packaging, jets, cylinders, pistons, means-carrying housing components, filters, pipes, seals, rotors, stators, etc. Damage due to wear and tear that is caused in particular by sanded coating materials, such as dispersions, plaster, putty, adhesives, glazes, quartz foundation.
- in the event of errors in devices that are due to non-compliance with the operating instructions, unsuitable or unprofessional use, incorrect assembly and/or commissioning by the buyer or by a third party, or utilisation other than is intended, abnormal ambient conditions, unsuitable coating materials, unsuitable operating conditions, operation with the incorrect mains voltage supply/frequency, over-operation or defective servicing or care and/or cleaning.
- for errors in the device that have been caused by using accessory parts, additional components or spare parts that are not original Wagner parts.
- for products to which modifications or additions have been carried out.
- for products where the serial number has been removed or is illegible
- for products to which attempts at repairs have been carried out by unauthorised persons.
- for products with slight deviations from the target properties, which are negligible with regard to the value and usability of the device.
- for products that have been partially or fully taken apart.

5. Additional regulations.

The above guarantees apply exclusively to products that have been bought by authorised specialist shops in the EU, CIS, Australia and are used within the reference country.

If the check shows that the case is not a guarantee case, repairs are carried out at the expense of the buyer.

The above regulations manage the legal relationship to us conclusively. Additional claims, in particular for damages and losses of any type, which occur as a result of the product or its use, are excluded from the product liability act except with regard to the area of application.

Claims for liability for defects to the specialist trader remain unaffected.

German law applies to this guarantee. The contractual language is German. In the event that the meaning of the German and a foreign text of this guarantee deviate from one another, the meaning of the German text has priority.

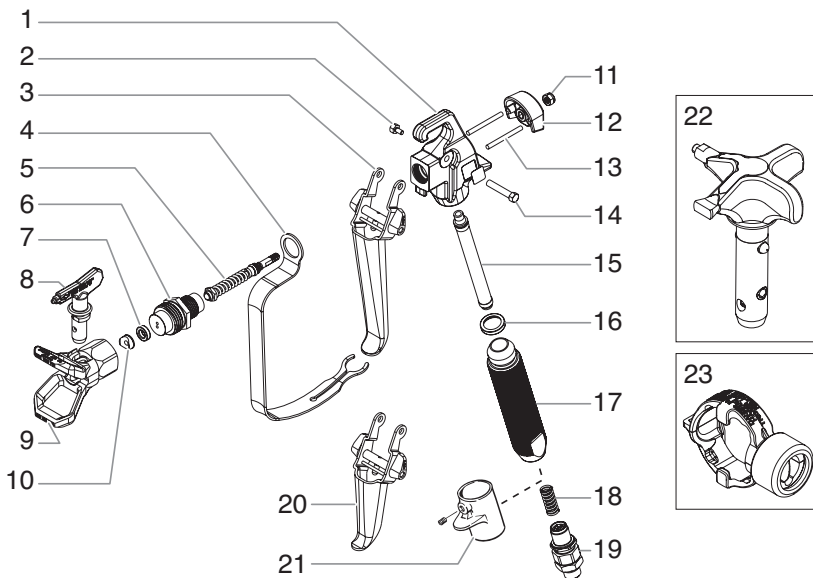
J. Wagner GmbH

Division Professional Finishing

Otto Lilienthal Strasse 18

88677 Markdorf

Federal Republic of Germany

(D) Teileliste**(GB) Parts list****(F) Liste de pièces**

Pos. Item Élé	Teil-Nr Part # N° de pièce	(D) Beschreibung	(GB) Description	(F) Description
1	0296228	Spritzpistolenkopf	Gun head	Tête du pistolet
2	0296284	Abzugschraube, kurz	Trigger screw, short	Vis de détente, courte
3	0296397	Abzug, komplett, für Spritzpistole mit 4-Finger-Abzug	Trigger assembly, 4-finger gun	Détente, pistolet à 4 doigts
4	0296230	Abzugbügel	Trigger guard	Protection de la détente
5	0296270	Dichtung, komplett	Seal assembly	Joint
6	0295404	Diffuser, 7/8"	Diffuser, 7/8"	Diffuseur, 7/8"
	0296406	Diffuser, 11/16"	Diffuser, 11/16"	Diffuseur, 11/16"
7	0508423	Dichtung	Seal	Joint
8	0552419	Düse, komplett* (mit Teil 7 und 10)	Tip assembly* (includes items 7 and 10)	Buse* (comprend les pièces 7 et 10)
	0552xxx	TradeTip 2	TradeTip 2	TradeTip 2
	0556xxx	Trade Tip 2 FineFinish	Trade Tip 2 FineFinish	Trade Tip 2 FineFinish
	0571xxx	Trade Tip 2 WideFinish	Trade Tip 2 WideFinish	Trade Tip 2 WideFinish
	0561xxx	Trade Tip 2 LineFinish	Trade Tip 2 LineFinish	Trade Tip 2 LineFinish
9	0556041	Düsenschutz, 7/8"	Tip guard, 7/8"	Protection de buse, 7/8"
	0556042	Düsenschutz, 11/16"	Tip guard, 11/16"	Protection de buse, 11/16"
10	0297007	Düsendichtung	Tip seal	Joint de buse
11	9910201	Sicherungsmutter	Lock nut	Écrou de blocage

Pos. Item Élé	Teil-Nr Part # N° de pièce	(D) Beschreibung	(GB) Description	(F) Description
12	0296222	Hinteres Gehäuse	Rear housing	Carter arrière
13	0296286	Rückholstift (2)	Retractor pin (2)	Goupille de rétraction (2)
14	0296287	Abzugschraube, lang	Trigger screw, long	Vis de détente, longue
15	34377	Filter, mittlere Filterfeinheit	Filter, medium	Filtre moyen
16	0296289	Griffdichtung	Handle seal	Joint de poignée
17	0296342	Griff	Handle	Poignée
18	0296343	Feder	Spring	Ressort
19	0347706	Endstück	Swivel	Émerillon
20	0296370	Abzug, komplett, für Spritzpistole mit 2-Finger- Abzug	Trigger assembly, 2-finger gun	Détente, pistolet à 2 doigts
21	0279185	Kragen, für Spritzpistole mit 2-Finger-Abzug	Collar assembly, 2-finger gun	Col, pistolet à 2 doigts
22	0271xxx	2 Speed Tip*	2 Speed Tip*	2 Speed Tip*
23	0271065	2 Speed Tip Halterung*	2 Speed Tip holder*	2 Speed Tip support*
		*Wird nicht mit allen Farbspritzpistolen mitgeliefert.	*Not included with all guns.	*Non-inclus sur certains modèles de pistolet.
	0296365	Typenschild AG 08 (nicht dargestellt)	AG 08 label (not shown)	Étiquette AG 08 (non illustrée)
	0296345	Griff, komplett (mit Teil 17 bis 19)	Handle assembly (includes items 17–19)	Poignée (comprend les pièces 17–19)
	0556038	Spritzpistolenreparaturset, 7/8" diffuser (mit Teil 5, 6 und 11)	Gun repair kit, 7/8" diffuser (includes items 5, 6, and 11)	Kit de réparation du pistolet, 7/8" diffuseur (inclus éléments 5, 6, et 11)
	0556039	Spritzpistolenreparaturset, 11/16" diffuser (mit Teil 5, 6 und 11)	Gun repair kit, 11/16" diffuser (includes items 5, 6, and 11)	Kit de réparation du pistolet, 11/16" diffuseur (inclus éléments 5, 6, et 11)

Servicenet in Deutschland

Markdorf – Zentrale

J. Wagner GmbH
Otto-Lilienthal-Straße 18
88677 Markdorf
Postfach 11 20
88669 Markdorf
Tel. 0 75 44 / 505-0
Telefax 0 75 44 / 505-200
www.wagner-group.com

Kundenzentrum

Tel. 0 75 44 / 505-664
Telefax 0 75 44 / 505-155
email: kundenzentrum@
wagner-group.com

Technischer Service:

Günter Zimmer
Tel. 0 75 44 / 505-548
Bernd Dambacher
Tel. 0 75 44 / 505-563

Heidersdorf in Sachsen

J. Wagner GmbH
Service-Stützpunkt
Olbernhauer Straße 11
09526 Heidersdorf
Tel. 03 73 61 / 1 57 07
Telefax 03 73 61 / 1 57 08

Stuttgart

J. Wagner GmbH
Service-Stützpunkt
In der Steige 6/1
72564 Neckartenzlingen
Tel. 0 71 27 / 30 74
Telefax 0 71 27 / 30 75

München

Jahnke GmbH
Hochstraße 7
82024 Taufkirchen
Tel. 0 89 / 6 14 00 22
Telefax 0 89 / 6 14 04 33
email: info@airless.de
www.airless.de

Nürnberg

Grimmer GmbH
Starenweg 28
91126 Schwabach
Tel. 0 91 22 / 7 94 73
Telefax 0 91 22 / 7 94 75 0
email: info@grimmer-sc.de
www.grimmer-sc.de

Berlin

J. Wagner GmbH
Service-Stützpunkt
Flottenstraße 28–42
13407 Berlin
Tel. 0 30 / 41 10 93 86
Telefax 0 30 / 41 10 93 87

Grünstadt

J. Wagner GmbH
Service-Stützpunkt
Dieselstrasse 1
67269 Grünstadt
Tel. 0 63 59 / 87 27 55 0
Telefax 0 63 59 / 80 74 80

Ratingen

J. Wagner GmbH
Service-Stützpunkt
Siemensstraße 6-10
40885 Ratingen
Tel. 0 21 02 / 3 10 37
Telefax 0 21 02 / 3 43 95

**Wagner Kontaktnetz Deutschland, im Internet zu
finden unter: www.wagner-group.com/profi**

Europa-Servicenet

A J. Wagner GmbH
Oberflächentechnik
Lohnergasse 1
1210 Wien
Austria
Tel. 0043/1/2707781-0
Fax: 0043/1/2788430
office@wagner-group.at

E Wagner Spraytech
Iberica, S.A.
P.O. Box 132, Crta. N-340
KM 1.245,4
08750 Molins de Rei
(Barcelona) Spain
Tel. 0034/93/6800028
Fax: 0034/93/6800555
info@wagnerspain.com

I Wagner Colora S.R.L.
Via Fermi, 3
20040 Burago Molgora
(Milano) Italy
Tel. 0039/039/625021
Fax: 0039/039/6851800
info@wagnercolora.com

B Wagner Spraytech
Belgium SA
Veilinglaan 58
1861 Meise-Wolvenstem
Belgium
Tel. 0032/2/2694675
Fax: 0032/2/2697845
info@wagner-group.be

F J. Wagner France S.A.R.L.
Parc Gutenberg - Bâtiment F
8 voie la Cardon,
91122 Palaiseau-Cedex
France
Phone: 0033/1/825 011 111
Fax: 0033/1/69817257
division.batiment@wagner-france.fr

NL Wagner Spraytech
Benelux B.V.
Zonneban 10, 3542 EC
Utrecht
Netherlands
Tel. 0031/30/2414155
Fax: 0031/30/2411787
info@wagner-group.nl

CH J. Wagner AG
Industriestr. 22
9450 Altstätten
Switzerland
Tel. 0041/71/7572211
Fax: 0041/71/7572222
wagner@wagner-group.ch

GB Wagner Spraytech (UK) Ltd.
The Coach House
2 Main Road
Middleton Cheney OX17 2ND
Great Britain
Tel. 0844 335 0517
Fax: 0044/1295/269861
enquiry@wagnerspraytech.co.uk

S Wagner Spraytech
Scandinavia A/S
Helgeshøj Allé 28
DK-2630 Tåstrup
Denmark
Tel. 0045/43/271818
Fax: 0045/43/430528
wagner@wagner-group.dk

DK Wagner Spraytech Scandinavia A/S
Helgeshøj Allé 28
DK-2630 Tåstrup
Denmark
Tel. 0045/43/271818
Fax: 0045/43/430528
wagner@wagner-group.dk