



TITAN®

OPERATING MANUAL

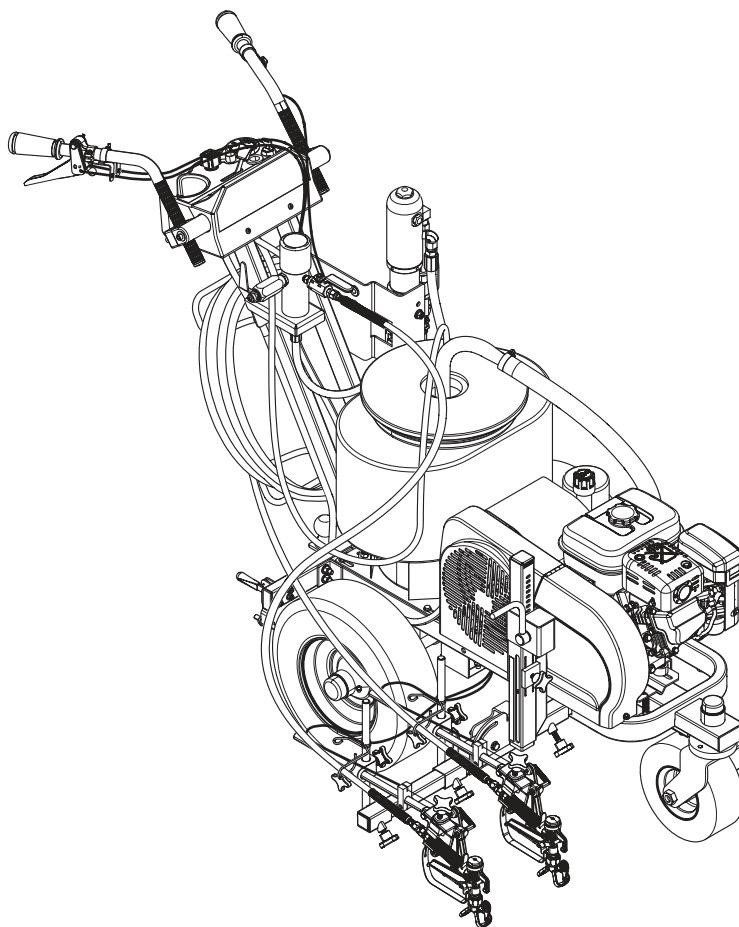
| | | |
|--------|-------------------|----|
| - GB - | OPERATING MANUAL | 2 |
| - D - | BETRIEBSANLEITUNG | 26 |
| - F - | MODE D'EMPLOI | 52 |

PowrLiner™

AIRLESS, HIGH-PRESSURE
SPRAYING UNIT

AIRLESS HOCHDRUCK-
SPRITZGERÄT

GROUPE DE PROJECTION À
HAUTE PRESSION



Models:

PL4955 0290052

PL6955 0290053

PL8955 0290054

Warning!

Attention: Danger of injury by injection!
Airless units develop extremely high spraying pressures.

**1**

Never put your fingers, hands or any other parts of the body into the spray jet!

Never point the spray gun at yourself, other persons or animals.

Never use the spray gun without safety guard.

Do not treat a spraying injury as a harmless cut. In case of injury to the skin through coating materials or solvents, consult a doctor immediately for quick and expert treatment. Inform the doctor about the coating material or solvent used.

2

The operating instructions state that the following points must always be observed before starting up:

1. Faulty units must not be used.
2. Secure Titan spray gun using the safety catch on the trigger.
3. Ensure that the unit is properly earthed.
4. Check allowable operating pressure of high-pressure hose and spray gun.
5. Check all connections for leaks.

3

The instructions regarding regular cleaning and maintenance of the unit must be strictly observed.

Before any work is done on the unit or for every break in work the following rules must be observed:

1. Release the pressure from spray gun and hose.
2. Secure the Titan spray gun using the safety catch on the trigger.
3. Switch off unit.

Be safety conscious!








Contents

| | Page | | Page |
|---|------|--|-------|
| 1. Safety regulations for Airless spraying | 2 | 7. Troubleshooting | 23 |
| 1.1 Explanation of symbols used | 2 | 7.1 Airless gun | 23 |
| 1.2 Electrical safety..... | 3 | 7.2 Fluid section..... | 23 |
| 1.3 Gasoline engine safety | 4 | 7.3 Hydraulic motors..... | 24 |
| 1.4 Fueling (gas engine)..... | 4 | 7.4 Spray patterns | 25 |
| 2. General view of application | 5 | Accessories and spare parts | 78 |
| 2.1 Application | 5 | Spare parts list for the main assembly..... | 78/79 |
| 2.2 Coating materials | 5 | Spare parts list for the cart assembly I..... | 80/81 |
| 3. Description of unit | 5 | Spare parts list for the cart assembly II..... | 82/83 |
| 3.1 Airless process | 5 | Spare parts list for the hydraulic system..... | 84/85 |
| 3.2 Functioning of the unit | 5 | Spare parts list for the hydraulic motor | 86/87 |
| 3.3 System diagram - gasoline PL units..... | 6 | Spare parts list for the fluid section • PL4955..... | 88/89 |
| 3.4 Technical data for PL units..... | 7 | Spare parts list for the fluid section • PL6955 / PL8955 | 90/91 |
| 4. Operation | 8 | Spare parts list for gas convertokit | 92 |
| 4.1 Filling the battery (PL6955 / PL8955) | 8 | Spare parts list for belt guard assembly..... | 93 |
| 4.2 Setup..... | 8 | Spare parts list for the high-pressure filter | 94/95 |
| 4.3 Preparing a new sprayer | 10 | Spare parts list for bleed hose assembly with valve..... | 96 |
| 4.4 Preparing to paint..... | 10 | Spare parts list for bleed valve | 97 |
| 4.5 Painting..... | 11 | Spare parts list for caster assembly..... | 98 |
| 4.6 Pressure relief procedure | 12 | Spare parts list for lift / tilt assembly | 99 |
| 4.7 Operating the front caster | 12 | Spare parts list for gun holder assembly | 100 |
| 4.8 Folding the spray gun support bar..... | 12 | Hydraulic hose connection diagram | 101 |
| 5. Cleanup | 13 | Connection diagram (PL4955) | 102 |
| 5.1 Special cleanup instructions for use with flammable solvents | 13 | Connection diagram (PL6955 / PL8955) | 103 |
| 5.2 Cleaning the sprayer | 13 | Accessories for PL units | 104 |
| 5.3 Cleaning a clogged tip | 13 | TR-1 Striping Tip Chart | 105 |
| 6. Maintenance | 14 | Spare parts list for electric convertokit (120V)..... | 107 |
| 6.1 Daily maintenance | 14 | Warranty | 110 |
| 6.2 Maintaining the filter assembly..... | 14 | | |
| 6.3 Maintaining the hydraulic system..... | 15 | | |
| 6.4 Maintaining the fluid section | 15 | | |
| 6.5 Basic engine maintenance..... | 15 | | |
| 6.6 Replacing the motor brushes (120V electric convertokit)..... | 16 | | |
| 6.7 Adjusting the tracking of the front caster | 16 | | |
| 6.8 Replacing the belt | 17 | | |
| 6.9 Servicing the hydraulic motor | 18 | | |
| 6.10 Servicing the fluid section..... | 20 | | |
| 6.11 SAE O-ring fitting installation | 22 | | |

1. Safety regulations for Airless spraying

1.1 Explanation of symbols used

This manual contains information that must be read and understood before using the equipment. When you come to an area that has one of the following symbols, pay particular attention and make certain to heed the safeguard.

| | |
|---|---|
|  | This symbol indicates a potential hazard that may cause serious injury or loss of life. Important safety information will follow. |
|  | This symbol indicates a potential hazard to you or to the equipment. Important information that tells how to prevent damage to the equipment or how to avoid causes of minor injuries will follow. |
|  | Danger of skin injection |
|  | Danger of fire from solvent and paint fumes |
|  | Danger of explosion from solvent, paint fumes and incompatible materials |
|  | Danger of injury from inhalation of harmful vapors |
|  | Notes give important information which should be given special attention. |



HAZARD: INJECTION INJURY

A high pressure stream produced by this equipment can pierce the skin and underlying tissues, leading to serious injury and possible amputation.

Do not treat a spraying injury as a harmless cut. In case of injury to the skin through coating materials or solvents, consult a doctor immediately for quick and expert treatment. Inform the doctor about the coating material or solvent used.

PREVENTION:

- NEVER aim the gun at any part of the body.
- NEVER allow any part of the body to touch the fluid stream. DO NOT allow body to touch a leak in the fluid hose.
- NEVER put your hand in front of the gun. Gloves will not provide protection against an injection injury.
- ALWAYS lock the gun trigger, shut the fluid pump off and release all pressure before servicing, cleaning the tip guard, changing tips, or leaving unattended. Pressure will not be released by turning off the engine. The PRIME/SPRAY valve or pressure bleed valve must be turned to their appropriate positions to relieve system pressure.
- ALWAYS keep tip guard in place while spraying. The tip guard provides some protection but is mainly a warning device.
- ALWAYS remove the spray tip before flushing or cleaning the system.
- NEVER use a spray gun without a working trigger lock and trigger guard in place.

- All accessories must be rated at or above the maximum operating pressure range of the sprayer. This includes spray tips, guns, extensions, and hose.



HAZARD: HIGH PRESSURE HOSE

The paint hose can develop leaks from wear, kinking and abuse. A leak can inject material into the skin. Inspect the hose before each use.

PREVENTION:

- Avoid sharp bending or kinking of the high-pressure hose. The smallest bending radius amounts to about 20 cm.
- Do not drive over the high-pressure hose. Protect against sharp objects and edges.
- Replace any damaged high-pressure hose immediately.
- Never repair defective high-pressure hoses yourself!
- Electrostatic charging of spray guns and the high-pressure hose is discharged through the high-pressure hose. For this reason the electric resistance between the connections of the high-pressure hose must be equal to or lower than 1MΩ.
- For reasons of function, safety and durability use only original Titan high-pressure hoses.
- Before each use, check all hoses for cuts, leaks, abrasion or bulging of cover. Check for damage or movement of couplings. Immediately replace the hose if any of these conditions exist. Never repair a paint hose. Replace it with another earthed high-pressure hose.
- Make sure power cord, air hose and spray hoses are routed in such a manner to minimize slip, trip and fall hazard.



HAZARD: EXPLOSION OR FIRE

Flammable vapors, such as solvent and paint vapors, in work area can ignite or explode.



PREVENTION:

- Use equipment only in well ventilated area. Keep a good supply of fresh air moving through the area to keep the air within the spray area free from accumulation of flammable vapors. Keep pump assembly in well ventilated area. Do not spray pump assembly.
- Gas models only - Do not fill fuel tank while engine is running or hot; shut off engine and allow to cool. Fuel is flammable and can ignite or explode if spilled on a hot surface.
- Electric models only - Do not use materials with a flashpoint below 38° C (100° F). Flashpoint is the temperature at which a fluid can produce enough vapors to ignite.
- Eliminate all ignition sources, such as pilot lights, cigarettes, portable electric lamps and plastic drop cloths (potential static arc).
- Keep work area free of debris, including solvent, rags and gasoline.
- Do not plug or unplug power cords, or turn power or light switches on or off when flammable vapors are present.
- Ground equipment and conductive objects in work area. Make sure grounding chain is in place and reaches the ground.
- Use only grounded hoses.
- Hold spray gun firmly to the side of a grounded pail when triggering into pail.
- If there is static sparking or if you feel a shock, stop operation immediately.

- Know the contents of the paint and solvents being sprayed. Read all Material Safety Data Sheets (MSDS) and container labels provided with the paints and solvents. Follow the paint and solvent manufacturer's safety instructions.
- Do not use a paint or solvent containing halogenated hydrocarbons. Such as chlorine, bleach, mildewcide, methylene chloride and trichloroethane. They are not compatible with aluminum. Contact the coating supplier about compatibility of material with aluminum.
- Keep a fire extinguisher in work area.



HAZARD: HAZARDOUS VAPORS

Paints, solvents, and other materials can be harmful if inhaled or come in contact with body. Vapors can cause severe nausea, fainting, or poisoning.

PREVENTION:

- Wear respiratory protection when spraying. Read all instructions supplied with the mask to be sure it will provide the necessary protection.
- All local regulations regarding protection against hazardous vapors must be observed.
- Wear protective eyewear.
- Protective clothing, gloves and possibly skin protection cream are necessary for the protection of the skin. Observe the regulations of the manufacturer concerning coating materials, solvents and cleaning agents in preparation, processing and cleaning units.



HAZARD: GENERAL

This product can cause severe injury or property damage.

PREVENTION:

- Follow all appropriate local, state, and national codes governing ventilation, fire prevention, and operation.
- Pulling the trigger causes a recoil force to the hand that is holding the spray gun. The recoil force of the spray gun is particularly powerful when the tip has been removed and a high pressure has been set on the airless pump. When cleaning without a spray tip, set the pressure control knob to the lowest pressure.
- Use only manufacturer authorized parts. User assumes all risks and liabilities when using parts that do not meet the minimum specifications and safety devices of the pump manufacturer.
- ALWAYS follow the material manufacturer's instructions for safe handling of paint and solvents.
- Clean up all material and solvent spills immediately to prevent slip hazard.
- Wear ear protection. This unit can produce noise levels above 85 dB(A).
- Never leave this equipment unattended. Keep away from children or anyone not familiar with the operation of airless equipment.
- Do not spray on windy days.
- The device and all related liquids (i.e. hydraulic oil) must be disposed of in an environmentally friendly way.

1.2 Electric Safety

Electric models must be grounded/earthed. In the event of an electrical short circuit, grounding/earthing reduces the risk of electric shock by providing an escape wire for the electric current. This product is equipped with a cord having an grounding/earthing wire with an appropriate earthing plug. Connection to the mains only through a special feed point, e.g. through an error protection insallation with INF < 30 mA.



DANGER — Work or repairs at the electrical equipment may only be carried out by a skilled electrician. No liability is assumed for incorrect installation. Switch the unit off. Before all repair work, unplug the power plug from the outlet.

Danger of short-circuits caused by water ingressing into the electrical equipment. Never spray down the unit with high-pressure or high-pressure steam cleaners.



Do not use 12V socket without a fully charged battery installed.

Work or repairs at the electrical equipment:

These may only be carried out by a skilled electrician. No liability is assumed for incorrect installation.

Operating Temperature

This equipment will operate correctly in its intended ambient, at a minimum between +50°F (+10°C) and 104°F (+40°C).

Relative Humidity

The equipment will operate correctly within an environment at 50% RH, +40°C. Higher RH may be allowed at lower temperatures.

Measures shall be taken by the Purchaser to avoid the harmful effects of occasional condensation.

Altitude

This equipment will operate correctly up to 2100 m above mean sea level.

Transportation and Storage

This equipment will withstand, or has been protected against, transportation and storage temperatures of -13°F (-25°C) to +130°F (+55°C) and for short periods up to 160°F (+70°C).

It has been packaged to prevent damage from the effects of normal humidity, vibration and shock.

1.3 Gasoline Engine Safety

1. Gas engines are designed to give safe and dependable service if operated according to instructions. Read and understand the engine manufacturer's Owner's Manual before operating the engine. Failure to do so could result in personal injury or equipment damage.
2. To prevent fire hazards and to provide adequate ventilation, keep the engine at least 1 meter (3 feet) away from buildings and other equipment during operation. Do not place flammable objects close to the engine.
3. People who are not operating the device must stay away from the area of operation due to a possibility of burns from hot engine components or injury from any equipment the engine may be used to operate.
4. Know how to stop the engine quickly, and understand the operation of all controls. Never permit anyone to operate the engine without proper instructions.
5. Gasoline is extremely flammable and is explosive under certain conditions.
6. Refuel in a well-ventilated area with the engine stopped. Do not smoke or allow flames or sparks in the refueling area or where gasoline is stored.
7. Do not overfill the fuel tank. After refueling, make sure the tank cap is closed properly and securely.
8. Be careful not to spill fuel when refueling. Fuel vapor or spilled fuel may ignite. If any fuel is spilled, make sure the area is dry before starting the engine.
9. Never run the engine in an enclosed or confined area. Exhaust contains poisonous carbon monoxide gas; exposure may cause loss of consciousness and may lead to death.
10. The muffler becomes very hot during operation and remains hot for a while after stopping the engine. Be careful not to touch the muffler while it is hot. To avoid severe burns or fire hazards, let the engine cool before transporting it or storing it indoors.
11. Never ship/transport sprayer with gasoline in the tank.



DO NOT use this equipment to spray water or acid.



Attention

Do not lift by cart handle when loading or unloading. Device is very heavy. Three-person lift is required.

1.4 Fueling (gas engine)



Gasoline is extremely flammable and is explosive under certain conditions.

Fuel Specifications

- Use automotive gasoline that has a pump octane number of 86 or higher, or that has a research octane number of 91 or higher. Use of a lower octane gasoline can cause persistent "pinging" or heavy "spark knock" (a metallic rapping noise) which, if severe, can lead to engine damage.



If "spark knock" or "pinging" occurs at a steady engine speed under normal load, change brands of gasoline. If spark knock or pinging persists, consult an authorized dealer of the engine manufacturer. Failure to do so is considered misuse, and damage caused by misuse is not covered by the engine manufacturer's limited warranty.

Occasionally you may experience light spark knock while operating under heavy loads. This is no cause for concern, it simply means your engine is operating efficiently.

- Unleaded fuel produces fewer engine and spark plug deposits and extends the life of the exhaust system components.
- Never use stale or contaminated gasoline or an oil/gasoline mixture. Avoid getting dirt, dust, or water in the fuel tank.

Gasolines Containing Alcohol

If you decide to use a gasoline containing alcohol (gasohol), be sure its octane rating is at least as high as that recommended by the engine manufacturer. There are two types of "gasohol": one containing ethanol, and the other containing methanol. Do not use gasohol that contains more than 10% ethanol. Do not use gasoline containing methanol (methyl or wood alcohol) that does not also contain co-solvents and corrosion inhibitors for methanol. Never use gasoline containing more than 5% methanol, even if it has co-solvents and corrosion inhibitors.



Fuel system damage or engine performance problems resulting from the use of fuels that contain alcohol is not covered under the warranty. The engine manufacturer cannot endorse the use of fuels containing methanol since evidence of their suitability is incomplete at this time.

Before buying gasoline from an unfamiliar station, try to find out if the gasoline contains alcohol. If it does, confirm the type and percentage of alcohol used. If you notice any undesirable operating characteristics while using a gasoline that contains alcohol, or one that you think contains alcohol, switch to a gasoline that you know does not contain alcohol.

2. General view of application

2.1 Application

This airless line striper is a precision power tool used to spray many types of material for many types of applications including parking lots, curbs, and athletic fields. Read and follow this instruction manual carefully for proper operating instructions, maintenance, and safety information.

2.2 Coating materials

Processible coating materials



Pay attention to the Airless quality of the coating materials to be processed.

Latex paint, dispersion paints, fire protection and thick film materials, zinc dust and micaceous iron ore paints, Airless spray primer, sprayable glue, anti-corrosive agents, thick coating materials and bitumen-like coating materials.

No other materials should be used for spraying without Titan's approval.

Filtering

In spite of the high-pressure filter, filtering of the coating material is recommended in general.

Mix coating material before commencement of work.



Make sure when stirring with motor-driven agitators that no air bubbles are stirred in. Air bubbles disturb when spraying and can, in fact, lead to interruption of operation.

Viscosity

It is possible to work with high-viscosity coating materials with the devices.

If highly viscous coating materials cannot be sucked up, they must be diluted in accordance with the manufacturer's instruction.

Two-component coating material

The appropriate processing time must be adhered to exactly. A minimum of 45 minute set time is recommended. Within this time rinse through and clean the unit meticulously with the appropriate cleaning agents.

Coating materials with sharp-edged additional materials

These have a strong wear and tear effect on valves, high-pressure hose, spray gun and tip. The durability of these parts can be reduced appreciably through this.

3. Description of unit

3.1 Airless process

The main area of application are thick layers of highly viscous coating material for large areas and a high consumption of material.

A piston pump takes in the coating material by suction and conveys it to the tip. Pressed through the tip at a pressure of up to a maximum of 227 bar (22.7 MPa, 3300 PSI), the coating material is atomized. This high pressure has the effect of micro fine atomisation of the coating material.

As no air is used in this process, it is described as an AIRLESS process.

This method of spraying has the advantages of finest atomisation, cloudless operation and a smooth, bubble-free surface. As well as these, the advantages of the speed of work and convenience must be mentioned.

3.2 Functioning of the unit

The following section contains a brief description of the technical construction for better understanding of the function.

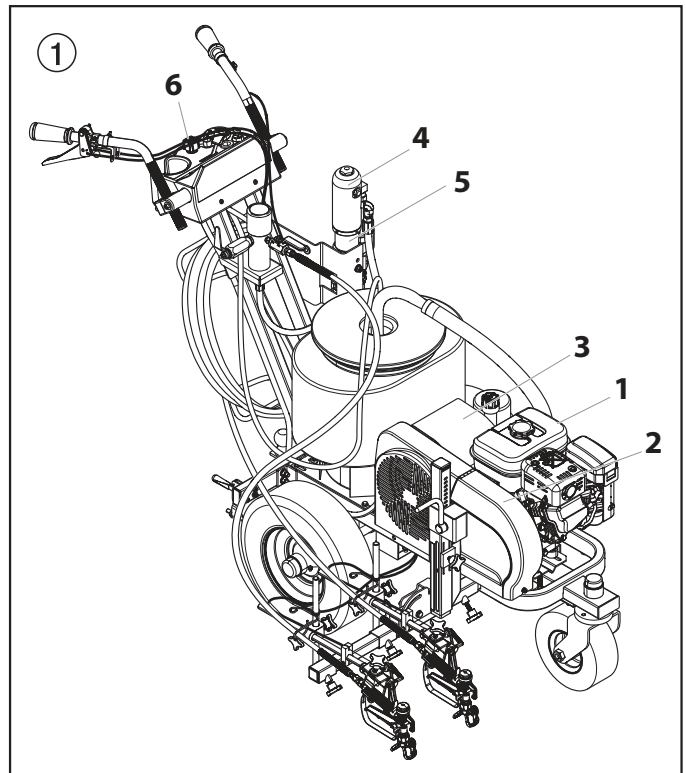
TITAN PowrLiner (PL) are high-pressure spraying units driven by either a gasoline engine or electric motor.

The gasoline engine or electric motor (fig. 1, item 1) drives the hydraulic pump (3) by means of a V-belt which is under the belt cover (2). Hydraulic oil flows to the hydraulic motor (4) and then moves the piston up and down in the material feed pump (5).

The inlet valve is opened automatically by the upwards movement of the piston. The outlet valve is opened when the piston moves downward.

The coating material flows under high pressure through the high-pressure hose to the spray gun. When the coating material exits from the tip it atomizes.

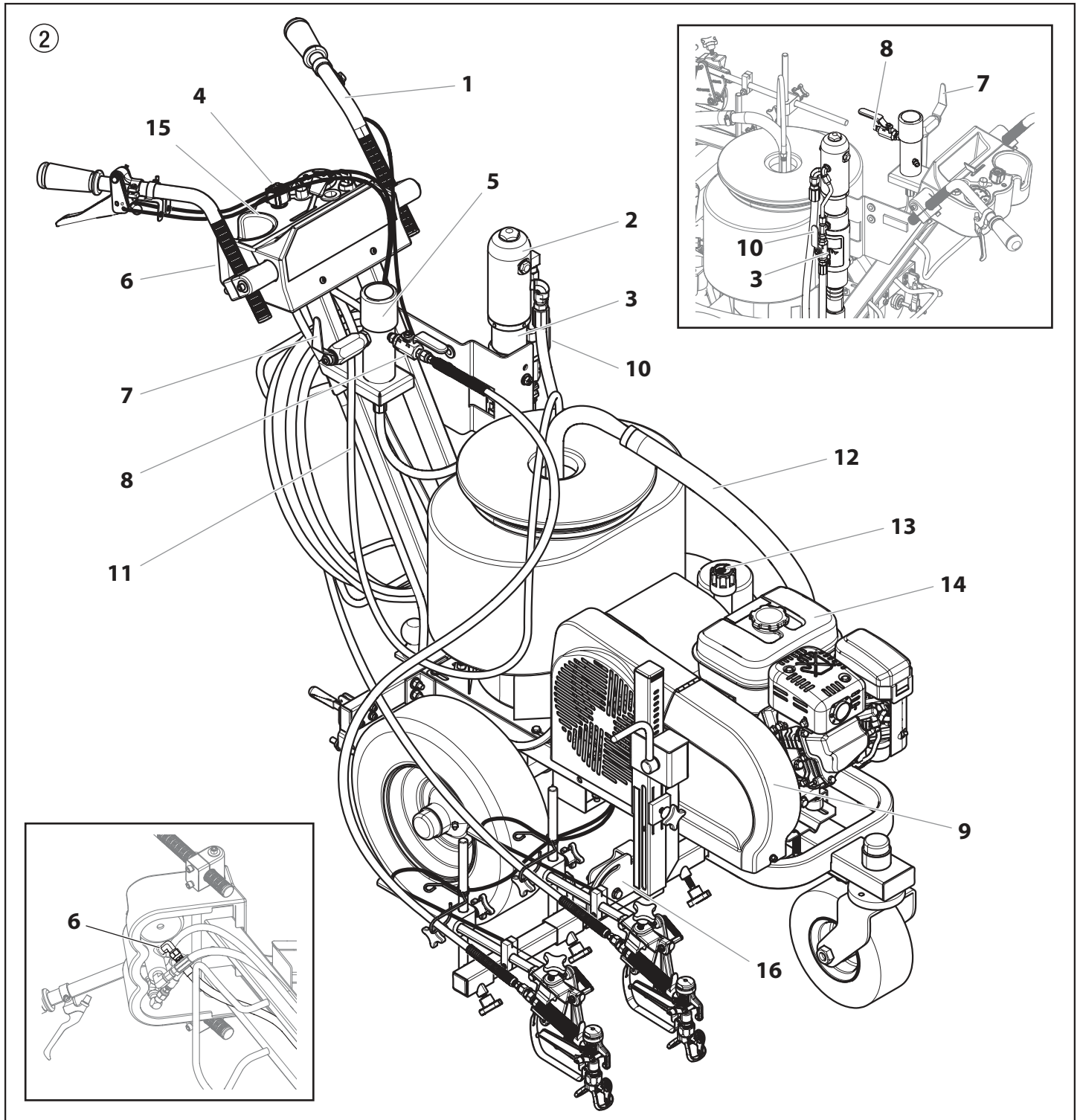
The pressure control valve (6) controls the volume and the operating pressure of the coating material.



Description of unit

3.3 System diagram - gasoline PL units

- | | |
|---|--|
| <ul style="list-style-type: none"> 1 Adjustable handle (2) 2 Hydraulic motor 3 Oil cup for Piston Lube (Piston Lube prevents increased wear and tear of the packings) 4 Pressure control knob 5 High-pressure filter 6 High-pressure hose outlet (first gun) 7 Relief valve handle: Turn left for circulation ↺ Turn right for spray ↻ | <ul style="list-style-type: none"> 8 High-pressure hose outlet (second gun) 9 V-belt under the belt cover 10 Ball valve: horizontal position – hydraulic motor switched off vertical position – hydraulic motor switched on 11 Bleed hose 12 Suction tube 13 Oil measuring stick 14 Gasoline engine 15 PowrCenter™ 16 SmartArm™ |
|---|--|



3.4 Technical data for PL units

| | | PL4955 | PL6955 | PL8955 |
|---|-------|---|---|---|
| Gasoline engine, power | | | | |
| | | 118cc, 3.5 Hp | 163cc, 4.8 Hp (electric start) | 196cc, 5.5 Hp (electric start) |
| Fuel Capacity | | | | |
| | | 0.53 US gal (2.0 l) | 0.83 US gal (3.1 l) | 0.83 US gal (3.1 l) |
| Max. operating pressure | | | | |
| | | 22.7 MPa (227 bar, 3300 PSI) | 22.7 MPa (227 bar, 3300 PSI) | 22.7 MPa (227 bar, 3300 PSI) |
| Max. sound pressure level | | | | |
| | | 92 dB (A)* | 92 dB (A)* | 98 dB (A)* |
| Max. size of tip with a spray gun | | | | |
| | 1-gun | 0.034" – 0.86 mm | 0.050" – 1.27 mm | 0.054" – 1.37 mm |
| | 2-gun | 0.024" – 0.61 mm | 0.033" – 0.84 mm | 0.038" – 0.96 mm |
| Max. volume flow | | | | |
| | | 1.25 gal (4.7 l)/min | 2.25 gal (8.5 l)/min | 2.5 gal (9.5 l)/min |
| Weight | | | | |
| | | 324 lbs (147 kg) | 334 lbs (151 kg) | 339 lbs (154 kg) |
| Max. viscosity | | | | |
| | | 50.000 mPa·s | 50.000 mPa·s | 65.000 mPa·s |
| Dimensions L x W x H | | | | |
| | | 72" x 42" x 42" (183 cm x 107 cm x 107 cm) | 72" x 42" x 42" (183 cm x 107 cm x 107 cm) | 72" x 42" x 44" (183 cm x 107 cm x 112 cm) |
| Max. temperature of the coating material | | | | |
| | | 109°F (43° C) | 109°F (43° C) | 109°F (43° C) |
| Filter insert (standard equipment) | | | | |
| | | 50 mesh, 18 in ² | 50 mesh, 18 in ² | 50 mesh, 18 in ² |
| Hydraulic oil filling quantity | | | | |
| | | 5.9 l (1.56 gal) CoolFlo | 5.9 l (1.56 gal) CoolFlo | 5.9 l (1.56 gal) CoolFlo |
| Max. tire pressure | | | | |
| | | 0.2 MPa (2 bar, 30 PSI) | 0.2 MPa (2 bar, 30 PSI) | 0.2 MPa (2 bar, 30 PSI) |
| Special high-pressure hose | | | | |
| | | DN 6 mm, 15 m (50' x 1/4"), connection thread NPSM 1/4 | DN 6 mm, 15 m (50' x 1/4"), connection thread NPSM 1/4 | DN 6 mm, 15 m (50' x 1/4"), connection thread NPSM 1/4 |

* Place of measurement: 1 m distance from unit and 1.60 m above reverberant floor, 120 bar (12 MPa) operating pressure.

4. Operation



This equipment produces a fluid stream at extremely high pressure. Read and understand the warnings in the Safety Precautions section at the front of this manual before operating this equipment.

4.1 Filling the Battery (PL6955 / PL8955)

Due to shipping regulations, the battery in your PowrLiner has been shipped to you empty. Before using the PowrLiner, the battery must be filled with electrolyte (acid) and then charged. Follow the instructions below.



Battery electrolyte can be purchased at your local hardware or auto parts retailer.



Battery electrolyte is very hazardous. Make sure to follow all precautions and warnings on the electrolyte container.

Electrolyte specifications

In cool or temperate climates, purchase electrolyte with a specific gravity of 1.270 - 1.280.

In tropical climates, purchase electrolyte with a specific gravity of 1.250 - 1.260.

Fill the battery

1. Remove the battery from the cart.
 - a. Remove the 12 gallon hopper from the cart.
 - b. Unscrew and remove the four (4) screws and washers that secure the hopper plate to the cart. The top of the battery should now be exposed.
2. Remove rubber sealing cap from the exhaust opening on the side of the battery.
3. Replace the rubber sealing cap with the exhaust tube provided (this can be found in the plastic bag containing the instruction manual and other literature).
4. Remove the six (6) yellow filling caps on top of the battery.
5. Fill the battery with electrolyte in each of the filling ports (see "Electrolyte specifications", above). Fill the battery to the upper level as indicated on the battery case.



Attention

The electrolyte temperature must not be lower than 60° F (15° C) or higher than 86° F (30° C).

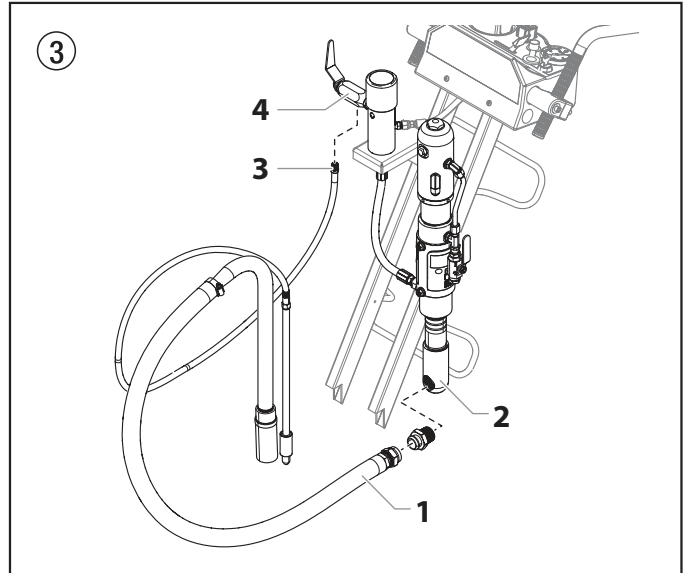
6. Allow the battery to stand for at least 30 minutes after filling.
7. After 30 minutes, check electrolyte level. If the level has fallen, refill to the upper level prior to charging.
8. Replace the yellow filling caps.
9. Replace the hopper plate back onto the cart and secure using the four (4) screws and washers.

Charge the battery

1. Place the battery on a charge for 3 to 5 hours at the approximate current equivalent to 1/10th of its rated capacity.
 - a. If electrolyte level falls after charging, fill with distilled water to upper level.
 - b. After water is added, continue charging for 1 to 2 hours in order to mix the water with the electrolyte.
2. After charging, check the battery voltage three times at 30 minute intervals. Make sure the voltage is constant over the three readings.
3. Replace the filler plugs (if needed) and wash off any electrolyte spillage with clean water.

4.2 Setup

1. Make sure the siphon hose (fig. 3, item 1) is connected to the fluid section (2) and the bleed hose (3) is connected to the bleed valve (4).



2. Install the gun support bar.

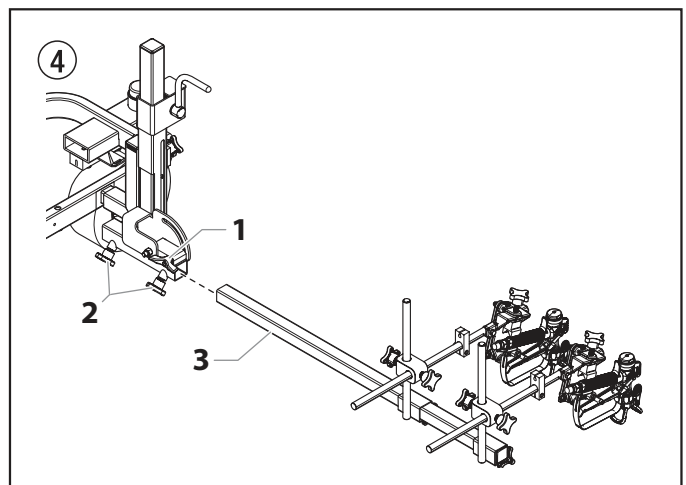


The spray gun, hose, and cables are mounted to the gun support bar at the factory.

- a. Loosen the tilt clamp knob (fig. 4, item 1) and lower the gun support bar into position.
- b. Loosen the support bar clamps (2) on each side of the cart.
- c. Slide the gun support bar (3) through the cart.
- d. Tighten the support bar clamps (2) to secure the gun support bar in position.



The support bar height will need to be lower than the cart frame to allow it to slide through the cart.



The gun support bar and the spray gun(s) can be mounted on either side of the sprayer.

3. Position the first spray gun.
 - a. Disengage the trigger cable from the tensioning clamp.



Always disengage the trigger cable from the tensioning clamp before making any adjustments to the spray gun position.

- b. Loosen the support bar clamps and slide the gun support bar to the desired horizontal position.
- c. Loosen the gun riser clamp and slide the spray gun to the desired vertical position.



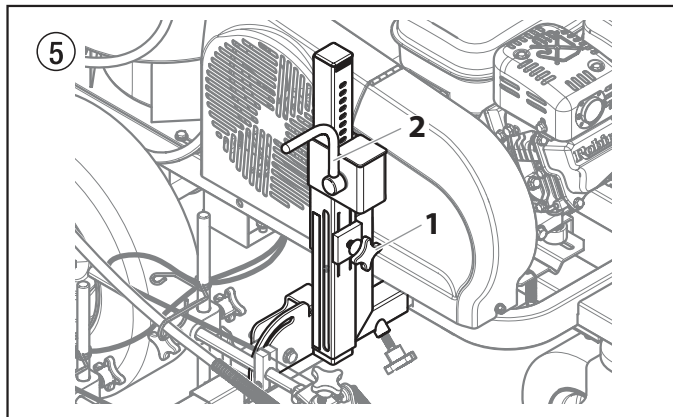
The height of the spray gun affects the width of the spray pattern (i.e., the lower the gun, the smaller the line width). Tip size also affects line width.

4. Repeat steps 3a through 3c for the second spray gun.



It is recommended that both spray guns be installed at the same height as a starting point. The gun heights can be adjusted individually based on spraying needs (i.e. spraying a curb or spraying two lines of different widths).

5. Once both guns are installed, their vertical position can be adjusted simultaneously.
 - a. Loosen the vertical support clamp knob (fig. 5, item 1) on the riser.
 - b. Turn the crank (2) to adjust the overall height of the spray guns.
 - c. Once at desired height, re-tighten the vertical support clamp knob (1).



6. Set the trigger selector for proper spray gun operation (fig. 6). The right handlebar triggers the gun or guns. The selector on the trigger must be set for the first gun, both guns, or the second gun.

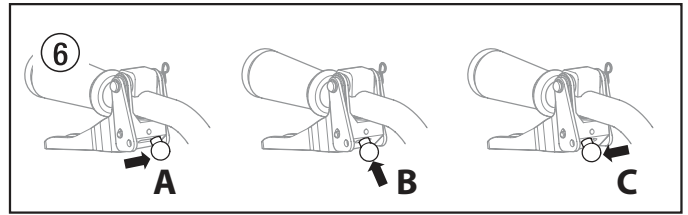


Always turn the trigger lock on the spray gun to the locked position before making any adjustments to the trigger selector. Also, release the trigger cable from its block by lifting the cable up and out of the block. There will be a brief triggering of the gun while releasing the trigger cable.

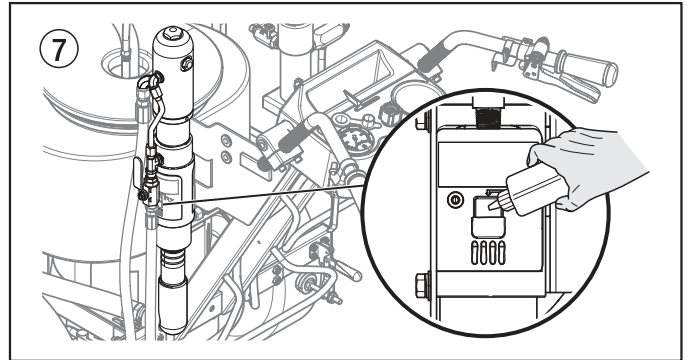


If lift/tilt assembly has excessive friction during operation, spray the tubes with dry graphite lubricant.

- a. **First Gun** — The first gun position is with the selector in the left position. Push the lever toward the inside of the frame until the pin engages the left plate.
- b. **Both Guns** — The dual gun position is with the selector in the center position. Push the lever toward the center position until the pin engages both plates. The pin must engage both plates.
- c. **Second Gun** — The second gun position is with the selector in the right position. Push the lever away from the inside of the frame until the pin engages the right plate.



7. Fill the oil cup 1/2 full with Piston Lube (P/N 314-480). This extends packing life.



Piston Lube prevents increased wear and tear to the packings.

8. Check the hydraulic fluid level daily before starting the sprayer. The hydraulic fluid level should be at the "Full" mark on the dipstick. Refer to the Maintenance section of this manual for hydraulic system maintenance instructions.



Use of Titan's Coolflo™ Hydraulic Fluid (P/N 430-361) is mandatory in the hydraulic system. Do not use any other hydraulic fluid. Use of any other hydraulic fluid may seriously damage the hydraulic system and will void the warranty.

9. For gas models, check the engine oil level daily before starting the sprayer. The gasoline engine oil level is determined by the engine manufacturer. Refer to the engine manufacturer's service manual supplied with this sprayer.
10. For electric models, use a 20 amp service outlet. Always locate the electric model within 10 to 15 feet of the service outlet. Use a short electric cable and a long paint hose. Any extension cord will create some voltage drop. If an extension cord is necessary, use only a grounded 3-wire #12 extension cord.



Electric models only - Do not use materials with a flashpoint below 38° C (100° F). Flashpoint is the temperature at which a fluid can produce enough vapors to ignite.

11. Make sure the sprayer is grounded/earthed. All sprayers are equipped with an grounding/earthing chain. Make sure the chain reaches all the way to the ground. Check your local electrical regulations for detailed grounding/earthing instructions.



Proper grounding/earthing is important. This applies to both gas and electric powered models. The passage of some materials through the nylon fluid hose will build up a static electric charge, which if discharged, could ignite solvent vapors present and create an explosion.

12. Strain all paints with a nylon strainer to ensure trouble free operation and freedom from frequent cleaning of the inlet screen and gun filter.
13. Make sure the spray area is well ventilated to prevent hazardous operation with volatile solvents or exhaust fumes.

4.3 Preparing a New Sprayer

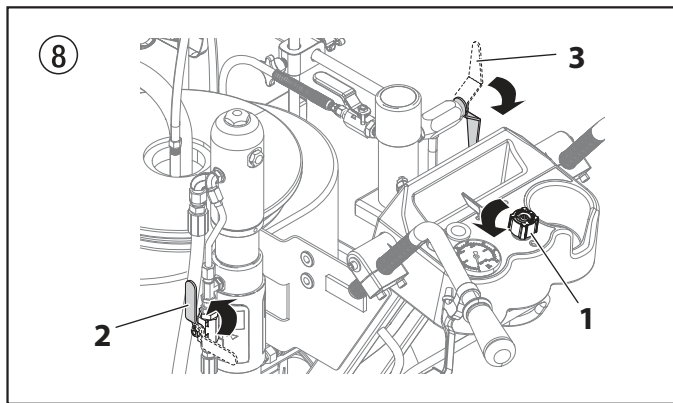
If this unit is new, it is shipped with test fluid in the fluid section to prevent corrosion during shipment and storage. This fluid must be thoroughly cleaned out of the system with mineral spirits before you begin spraying.



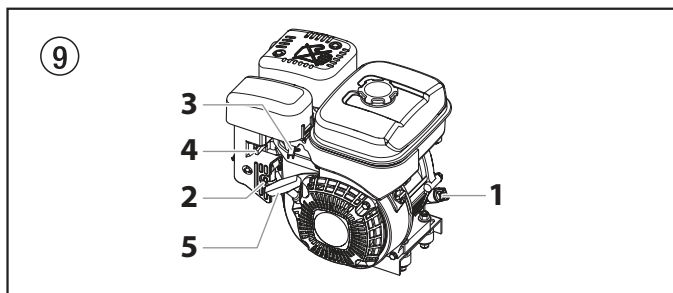
Attention

Always keep the trigger lock on the spray gun in the locked position while preparing the system.

1. Place the siphon tube into a container of mineral spirits.
2. Place the bleed hose into a metal waste container.
3. Turn the pressure control knob fully counterclockwise to its lowest pressure setting (fig 8, 1).
4. Open the hydraulic shut-off valve (2) located on the hydraulic pressure hose. The handle should be in line with the hose.
5. Open the bleed valve (3) by turning it fully counterclockwise.



6. Start the engine or turn on the electric motor.
 - a. To start the gas engine (fig. 9),
 - move the fuel valve lever (2) to the open position,
 - move the throttle lever (3) to its middle point,
 - move the choke lever (4) to the closed position for a cold engine or to the open position for a warm engine,
 - turn the engine switch (1) to the ON position, and
 - pull the starter rope (5) briskly until the engine starts or turn and hold the electric starter key towards "Start" until the engine starts (PL6955/PL8955 only)
 - b. To start the electric motor, move the ON/OFF switch to the ON position.



7. Turn the pressure control knob (fig. 8, 1) clockwise approximately 1/3 of the way down to increase pressure until the sprayer cycles evenly and solvent flows freely from the bleed hose.
8. Allow the sprayer to run for 15–30 seconds to flush the test fluid out through the bleed hose and into the waste container.
9. Turn off the sprayer.
 - a. To turn off the gas engine,
 - set the pressure to minimum by turning the pressure control knob fully counterclockwise,
 - move the throttle lever to the slow position, and

- turn the engine switch to the OFF position.
- b. To turn off the electric motor,
 - set the pressure to minimum by turning the pressure control knob fully counterclockwise,
 - move the ON/OFF switch to the OFF position.

4.4 Preparing to Paint

Before painting, it is important to make sure that the fluid in the system is compatible with the paint that is going to be used.



Incompatible fluids and paint may cause the valves to become stuck closed, which would require disassembly and cleaning of the sprayer's fluid section.



Attention

Always keep the trigger lock on the spray gun in the locked position while preparing the system.

1. Place the siphon tube into a container of the appropriate solvent for the material being sprayed.



If you are spraying a water-based latex, flush with warm, clean water. If you are using any other material, check with the material manufacturer for a compatible solvent.

2. Place the bleed hose into a metal waste container.
3. Turn the pressure control knob fully counterclockwise to its lowest pressure setting (fig 8, 1).
4. Open the hydraulic shut-off valve (2) located on the hydraulic pressure hose. The handle should be in line with the hose.
5. Open the bleed valve (3) by turning it fully counterclockwise.
6. Start the engine or turn on the electric motor.
 - a. To start the gas engine (fig. 9),
 - move the fuel valve lever (2) to the open position,
 - move the throttle lever (3) to its middle point,
 - move the choke lever (4) to the closed position for a cold engine or to the open position for a warm engine,
 - turn the engine switch (1) to the ON position, and
 - pull the starter rope (5) briskly until the engine starts or turn and hold the electric starter key towards "Start" until the engine starts (PL6955/PL8955 only)
 - b. To start the electric motor, move the ON/OFF switch to the ON position.
7. Turn the pressure control knob (1) clockwise approximately 1/3 of the way down to increase pressure until the sprayer cycles evenly and solvent flows freely from the bleed hose.
8. Allow the sprayer to run for 15–30 seconds to flush the test fluid out through the bleed hose and into the waste container.
9. Turn off the sprayer.
 - a. To turn off the gas engine,
 - set the pressure to minimum by turning the pressure control knob fully counterclockwise,
 - move the throttle lever to the slow position, and
 - turn the engine switch to the OFF position.
 - b. To turn off the electric motor,
 - set the pressure to minimum by turning the pressure control knob fully counterclockwise,
 - move the ON/OFF switch to the OFF position.



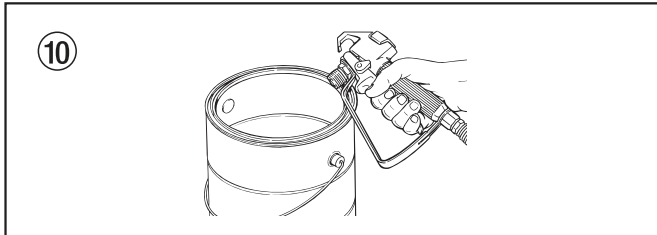
Make sure that the spray gun does not have a tip or tip guard installed.

10. Close the bleed valve by turning it fully clockwise.
11. Start the engine or turn on the electric motor.

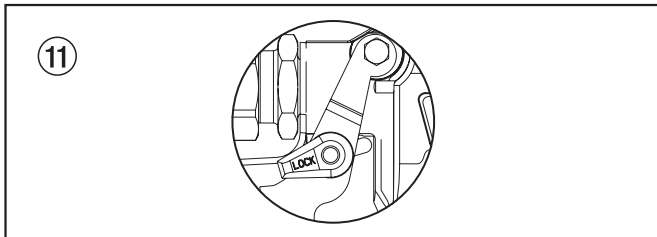
12. Turn the pressure control knob clockwise approximately 1/3 of the way down to increase pressure.
13. Unlock the gun by turning the gun trigger lock to the unlocked position.



Earth the gun by holding it against the edge of the metal container while flushing. Failure to do so may lead to a static electric discharge, which may cause a fire.



14. Trigger the gun into the metal waste container until the old solvent is gone and fresh solvent is coming out of the gun.
15. Lock the gun by turning the gun trigger lock to the locked position (fig 11).



16. Set down the gun and increase the pressure by turning the pressure control knob slowly clockwise to its highest setting.
17. Check the entire system for leaks. If leaks occur, turn the sprayer off and follow the "Pressure Relief Procedure" in this manual before tightening any fittings or hoses.
18. Follow the "Pressure Relief Procedure" (section 4.6) in this manual before changing from solvent to paint.



Be sure to follow the Pressure Relief Procedure when shutting the unit down for any purpose, including servicing or adjusting any part of the spray system, changing or cleaning spray tips, or preparing for cleanup.

7. Turn the pressure control knob (1) clockwise approximately 1/3 of the way down to increase pressure until the sprayer cycles evenly and solvent flows freely from the bleed hose.
8. Turn off the sprayer.
 - a. To turn off the gas engine,
 - set the pressure to minimum by turning the pressure control knob fully counterclockwise,
 - move the throttle lever to the slow position, and
 - turn the engine switch to the OFF position.
 - b. To turn off the electric motor,
 - set the pressure to minimum by turning the pressure control knob fully counterclockwise,
 - move the ON/OFF switch to the OFF position.
9. Remove the bleed hose from the waste container and place it into the container of paint.
10. Close the bleed valve by turning it fully clockwise.
11. Start the engine or turn on the electric motor.
12. Turn the pressure control knob clockwise approximately 1/3 of the way down to increase pressure.
13. Unlock the gun by turning the gun trigger lock to the unlocked position.



Earth the gun by holding it against the edge of the metal container while flushing. Failure to do so may lead to a static electric discharge, which may cause a fire.

14. Trigger the gun into the metal waste container until all air and solvent is flushed from the spray hose and paint is flowing freely from the gun.
15. Lock the gun by turning the gun trigger lock to the locked position (fig 11).
16. Turn off the sprayer.
17. Attach tip guard and tip to the gun as instructed by the tip guard or tip manuals.



POSSIBLE INJECTION HAZARD. Do not spray without the tip guard in place. Never trigger the gun unless the tip is in either the spray or the unclog position. Always engage the gun trigger lock before removing, replacing or cleaning tip.

18. Start the engine or turn on the electric motor.
19. Increase the pressure by turning the pressure control knob slowly clockwise and test the spray pattern on a piece of cardboard. Adjust the pressure control knob until the spray from the gun is completely atomized.



Turning the pressure up higher than needed to atomize the paint will cause premature tip wear and additional overspray.

4.5 Painting

1. Place the siphon hose into a container of paint.
2. Place the bleed hose into a metal waste container.
3. Turn the pressure control knob fully counterclockwise to its lowest pressure setting (fig 8, 1).
4. Open the hydraulic shut-off valve (2) located on the hydraulic pressure hose. The handle should be in line with the hose.
5. Open the bleed valve (3) by turning it fully counterclockwise.
6. Start the engine or turn on the electric motor.
 - a. To start the gas engine (fig. 9),
 - move the fuel valve lever (2) to the open position,
 - move the throttle lever (3) to its middle point,
 - move the choke lever (4) to the closed position for a cold engine or to the open position for a warm engine,
 - turn the engine switch (1) to the ON position, and
 - pull the starter rope (5) briskly until the engine starts or turn and hold the electric starter key towards "Start" until the engine starts (PL6955/PL8955 only)
 - b. To start the electric motor, move the ON/OFF switch to the ON position.

4.6 Pressure Relief Procedure



Be sure to follow the Pressure Relief Procedure when shutting the unit down for any purpose, including servicing or adjusting any part of the spray system, changing or cleaning spray nozzles, or preparing for cleanup.

1. Lock the spray gun by turning the gun trigger lock to the locked position.
2. Turn off the sprayer.
 - a. To turn off the gas engine,
 - set the pressure to minimum by turning the pressure control knob fully counterclockwise,
 - move the throttle lever to the slow position, and
 - turn the engine switch to the OFF position.
 - b. To turn off the electric motor,
 - set the pressure to minimum by turning the pressure control knob fully counterclockwise,
 - move the ON/OFF switch to the OFF position.
3. Close the hydraulic shut-off valve on the hydraulic pressure hose.
4. Unlock the gun by turning the gun trigger lock to the unlocked position.
5. Hold the metal part of the gun firmly to the side of a metal waste container to earth the gun and avoid a build up of static electricity.
6. Trigger the gun to remove any pressure that may still be in the hose.
7. Lock the gun by turning the gun trigger lock to the locked position.
8. Place the bleed hose into the metal waste container.
9. Open the bleed valve by turning it fully counterclockwise.

4.7 Operating the Front Caster

The front caster on the cart is designed to track the sprayer in either a straight line or allow free motion. Standing behind the sprayer, the trigger on the left handle of the cart controls the operation of the front caster.

1. To lock the front caster in the straight line position, squeeze then release the caster trigger and move the sprayer forward.
2. To allow free motion of the front caster, squeeze and hold the caster trigger.

4.8 Folding the Spray Gun Support Bar

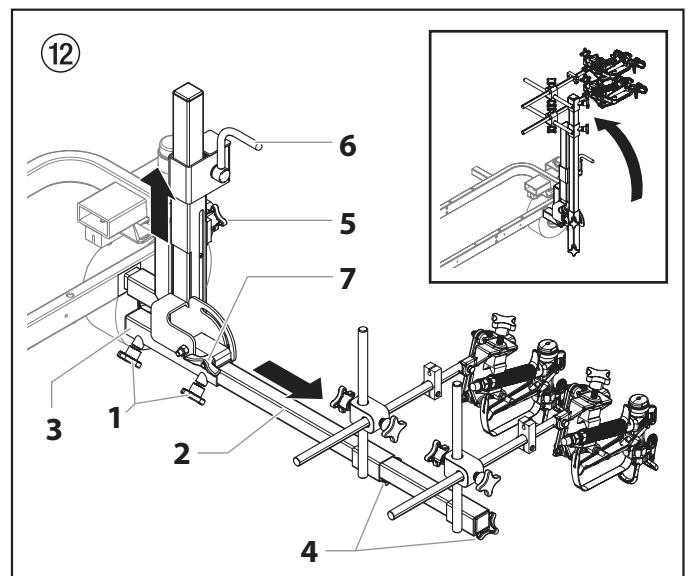
The spray gun support bar can be lifted vertically in order to make the sprayer smaller for storage. The spray guns or spray hoses do not need to be removed. Follow the steps below.

1. Loosen the support bar clamps (fig. 12, 1). Pull the support bar (2), with gun holder assemblies and spray guns still attached, away from the cart as far as it will go without being completely removed.



The support bar needs to remain completely within the tilt sleeve (3) so that both support bar clamps can re-engage.

2. Tighten the support bar clamps (1). Both clamps need to be engaged into the support bar (2).
3. Loosen the spray gun holder clamps (4) and slide both spray guns as far to the end of the support bar as they can go.
4. Loosen the vertical support clamp knob (5) on the riser. Turn the crank (6) so that the entire support bar assembly is raised as far as it will go. Tighten the vertical support clamp knob (5).



5. Loosen the tilt knob (7). Carefully raise the support bar to a vertical position.



Attention

Pinch hazard. Make sure keep fingers away from all moving parts. Make sure no hoses or cables get pinched in any moving parts.

6. Tighten the tilt knob (7) to secure in place.

5. Cleanup



The sprayer, hose, and gun should be cleaned thoroughly after daily use. Failure to do so permits material to build up, seriously affecting the performance of the unit.



Always spray at minimum pressure with the gun nozzle tip removed when using mineral spirits or any other solvent to clean the sprayer, hose, or gun. Static electricity buildup may result in a fire or explosion in the presence of flammable vapors.

5.1 Special cleanup instructions for use with flammable solvents

- Always flush spray gun preferably outside and at least one hose length from spray pump.
- If collecting flushed solvents in a one gallon metal container, place it into an empty five gallon container, then flush solvents.
- Area must be free of flammable vapors.
- Follow all cleanup instructions.

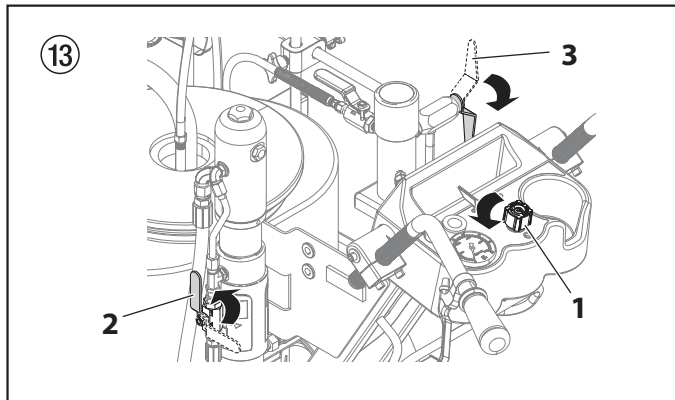
5.2 Cleaning the Sprayer

1. Follow the "Pressure Relief Procedure" found in the Operation section of this manual, section 4.6.
2. Remove the gun tip and tip guard and clean with a brush using the appropriate solvent.
3. Place the siphon tube into a container of the appropriate solvent.



Use only compatible solvents when cleaning out oil based enamels, lacquers, coal tar, and epoxies. Check with the fluid manufacturer for the recommended solvent.

4. Place the bleed hose into a metal waste container.
5. Set the pressure to minimum by turning the pressure control knob (1) fully counterclockwise.
6. Open the hydraulic shut-off valve located on the hydraulic pressure hose (2). The handle should be in line with the hose.
7. Open the bleed valve (3) by rotating the bleed valve handle fully counterclockwise.



8. Start the engine or turn on the electric motor.
9. Allow the solvent to circulate through the sprayer and flush the paint out of the bleed hose into the metal waste container.
10. Turn off the sprayer.

11. Close the bleed valve by rotating the bleed valve handle fully clockwise.
12. Start the engine or turn on the electric motor.



Earth the gun by holding it against the edge of the metal container while flushing. Failure to do so may lead to a static electric discharge, which may cause a fire.

13. Trigger the gun into the metal waste container until the paint is flushed out of the hose and solvent is coming out of the gun.
14. Continue to trigger the spray gun into the waste container until the solvent coming out of the gun is clean.



For long-term or cold weather storage, pump mineral spirits through the entire system.

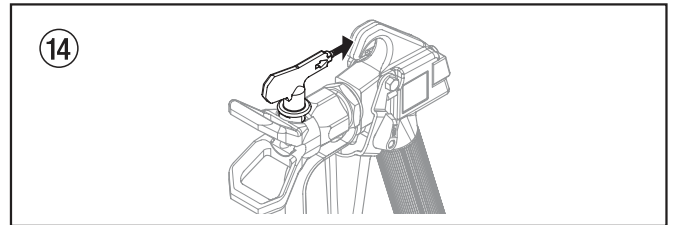
15. Follow the "Pressure Relief Procedure" found in the Operation section of this manual.
16. Store the sprayer in a clean, dry area.



Do not store the sprayer under pressure.

5.3 Cleaning a Clogged Tip

1. Follow the "Pressure Relief Procedure" in the Operation section of this manual.
2. If the tip clogs, rotate the tip handle 180° until the arrow on the handle is facing the opposite of the spray direction and the handle clicks in the reverse position.



3. Trigger the gun once so that the pressure can blow the clog out. NEVER use the tip in the reverse position for more than ONE trigger pull at a time. This procedure can be repeated until the tip is free of clogging.



The flow from the spray tip is at very high pressure. Contact with any body part may be dangerous. Do not place finger on gun outlet. Do not point the gun at any person. Never operate the spray gun without the proper tip guard.

6. Maintenance



Before proceeding, follow the Pressure Relief Procedure outlined previously in this manual. Additionally, follow all other warnings to reduce the risk of an injection injury, injury from moving parts or electric shock. Always unplug the sprayer before servicing!

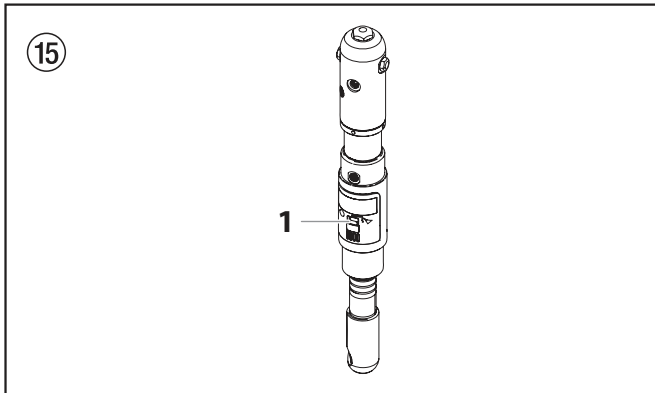
6.1 Daily Maintenance

Two daily procedures are required for routine operator maintenance on this sprayer:

- A. Lubricating the upper packings.
- B. Cleaning the filter screen

A) Lubricating the Upper Packings

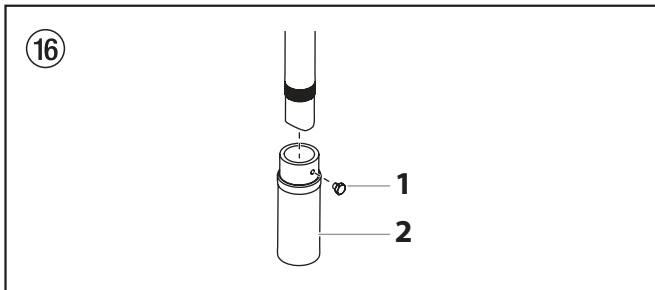
1. Clean out the paint that has seeped past the upper packings into the packing oil reservoir (fig. 15, item 1) above the fluid section.
2. Fill the packing oil reservoir 1/2 full with Piston Lube (P/N 314-480) supplied by the factory. This will extend packing life.



Do not over-fill the reservoir so that it overflows and drips into the paint.

B) Cleaning the Filter Screen

1. The filter screen will clog and must be cleaned at least once a day.
2. Loosen the hex nut (fig. 16, item 1) that secures the filter screen to the siphon tube.
3. Remove the filter screen (2) from the bottom of the siphon tube.
4. Clean thoroughly with the appropriate solvent.



6.2 Maintaining the Filter Assembly

Clean the filter regularly. Dirty or clogged filters can greatly reduce filtering ability and cause a number of system problems including poor spray patterns, clogged spray tips, etc.

Cleaning (Fig. 17)

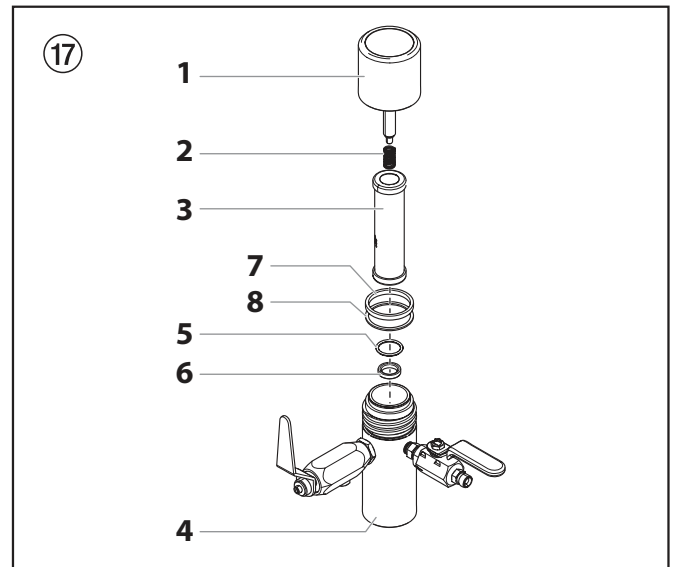
To clean the filter, perform the following procedure.

1. Follow the "Pressure Relief Procedure" found in the Operation section of this manual.
2. Remove the filter cap assembly (1) and spring (2).
3. Pull the filter element with ball straight (3) out of the filter body (4).
4. Clean inside the filter body, filter element with ball, and filter cap assembly using the appropriate solvent.



Use care in handling parts as dirt, debris, scratches, or nicks may prevent o-rings or gaskets from sealing.

This filter element filters from the inside out. Be sure to clean the filter element thoroughly on the inside. Soak in solvent to loosen hardened paint or replace.



Inspection (Fig. 17)

Inspect all parts of the filter assembly before reassembly.

1. Inspect the ball inside the filter element. If the ball has pressure cuts or scratches, replace the filter element.
 - a. If the ball is cut, remove the PTFE o-ring (5) using an o-ring pick and remove the carbide seat (6).
 - b. Check the seat for nicks or grooves. If the seat is damaged, replace.



Removal of the PTFE o-ring will damage the o-ring and require replacement.

2. Remove the spring (2) from the spring guide on the filter cap.
 - a. Measure the length of the spring uncompressed. If it measures less than 3/4" from end to end, replace.
 - b. Push the spring back onto the spring guide until it "snaps" back into position.
3. Inspect the two PTFE gaskets (7,8) and the PTFE o-ring (5) for deformity, nicks, or cuts. Replace, if needed.



The PTFE gaskets, PTFE o-ring, and spring are packaged in Filter Service Kit P/N 930-050.

Reassembly (Fig. 17)

After cleaning and inspecting all parts, reassemble the filter.

1. Place the carbide seat (6) into the filter body (4). Make sure the beveled side of the seat is facing up.
2. Place the PTFE o-ring (5) into the groove on the outer diameter of the carbide seat (6).
3. Place the filter element with ball (3) into the filter body (4).



The top and bottom of the filter element with ball are identical.

4. Push the spring (2) back onto the spring guide of the filter cap (1) until it "snaps" back into position, if not already done.
5. Place the thin PTFE gasket (8) onto the step at the top of the filter body (4).
6. Place the thick PTFE gasket (7) onto the top of the thin gasket (8).
7. Tighten the filter cap assembly (1) onto the filter body (4).

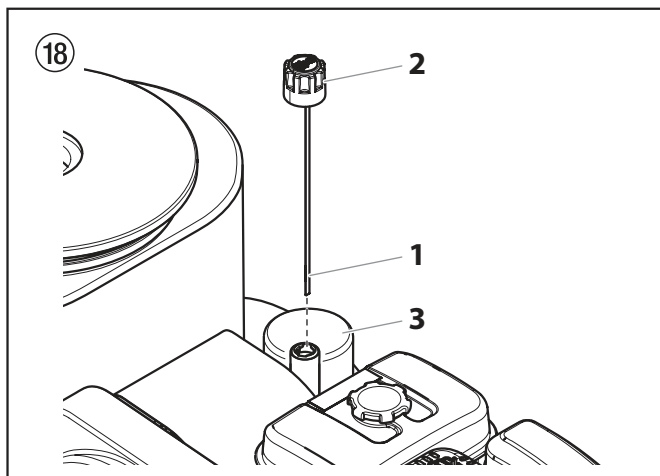
6.3 Maintaining the Hydraulic System



Attention

Use of Titan's Coolflo™ Hydraulic Fluid is mandatory in the PowrLiner hydraulic system. Do not use any other hydraulic fluid. Use of any other hydraulic fluid may seriously damage the hydraulic system and will void the warranty.

1. Check the hydraulic fluid daily. It should be at the "Full" mark (fig. 18, item 1) on the dipstick (2). If it is low, add only Titan Coolflo™ Hydraulic Fluid (P/N 430-361). Never add or change hydraulic fluid except in a clean, dust-free area. Contamination of the hydraulic fluid will shorten hydraulic pump life and may void warranty.



2. Change the hydraulic fluid every twelve months. Drain the old fluid from the tank and fill with 6.25 quarts of hydraulic fluid. Start the sprayer at just enough pressure to operate the fluid section. Run the sprayer at this low pressure for at least 5 minutes. This removes air from the system. Check the fluid level after this procedure. Do not over-fill.



When replacing the hydraulic filter (3) during a fluid change, it may be necessary to add up to one additional quart of hydraulic fluid.

3. The hydraulic system has an external, replaceable hydraulic filter. Change the filter every twelve months.
4. The hydraulic pump should not be serviced in the field. If service on the hydraulic pump is required, it must be returned to Titan.

6.4 Maintaining the Fluid Section

If the sprayer is going to be out of service for an extended period of time, it is recommended that following cleanup, a kerosene and oil mixture be introduced as a preservative. Packings may tend to dry out from lack of use. This is particularly true of the upper packing set for which upper packing lubricant Piston Lube (P/N 314-480) is recommended in normal usage.

If the sprayer has been out of service for an extended period of time, it may be necessary to prime the pump with solvent. It is extremely important that the threads on the siphon hose coupling are properly sealed. Any air leakage will produce erratic operation of the sprayer and may damage the system. The up and the down strokes should be approximately equal in time (one should not be faster than the other). A fast up or down stroke may indicate air in the system or malfunctioning valve or seats (see the Troubleshooting section).

6.5 Basic Engine Maintenance (gas engine)

- For detailed engine maintenance and technical specifications refer to the separate gasoline engine manual.
- All service to the engine should be performed by a dealer authorized by the engine manufacturer.
- Use a premium quality motor oil. 10W30 is recommended for general all temperature use. Other viscosities may be required in other climates.
- Use only a (NGK) BP6ES / BPR6E spark plug. Gap the plug to 0.028 to 0.031 In. (0.7 to 0.8 mm) Always use a spark plug wrench.

Daily

1. Check engine oil level, and fill as necessary.
2. Check gasoline level, and fill as necessary.



Always follow the fueling procedure outlined earlier in this manual.

First 20 Hours

1. Change engine oil.

Every 100 Hours

1. Change engine oil.
2. Clean the sediment cup.
3. Clean and re-gap the spark plug.
4. Clean the spark arrestor.

Weekly

1. Remove the air filter cover and clean the element. In very dusty environments, check the filter daily. Replace the element as needed. Replacement elements can be purchased from your local engine manufacturer dealer.

Engine Operation and Service

1. Clean and oil air filter pad on gasoline engine every 25 hours or once weekly. Do not permit the air intake screen around the fly wheel of the gas engine to load up with paint or trash. Clean it regularly. The service life and efficiency of the gas engine model depends upon keeping the gasoline engine running properly. Change the oil in the engine every 100 hours. Failure to observe this may result in engine overheating. Consult the engine manufacturer's service manual provided.
2. To conserve fuel, service life, and efficiency of the sprayer, always operate the gasoline engine at the lowest RPM at which it runs smoothly without laboring and delivers the amount required for the particular painting operation. Higher RPM does not produce higher working pressure. The gasoline engine is connected to the hydraulic pump by a pulley combination designed to produce full paint delivery at maximum RPM.
3. The warranty on gasoline engines or electric motors is limited to the original manufacturer.

6.6 Replacing the Motor Brushes (optional 120V electric motor, PL4955 only)

The 120V electric Convertokit is available for separate purchase.



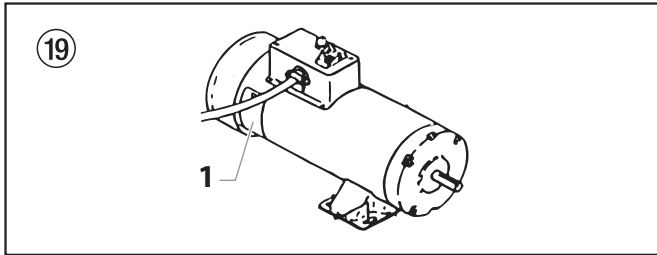
When installing the 120V Convertokit, strap down the front of the PowrLiner to prevent it from tipping backwards.

Perform this procedure using Motor Brush Kit P/N 978-050. The kit consists of two brushes, two springs, and two clips.

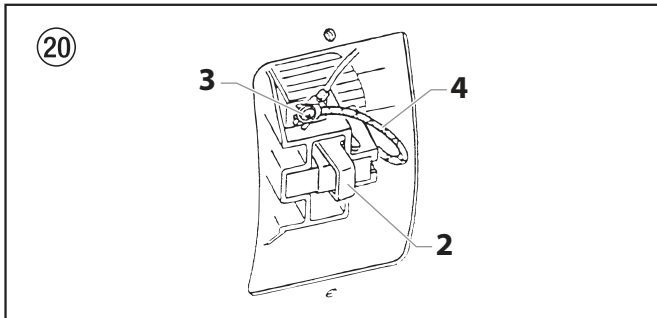


Brushes should be replaced when they are worn to less than 1/2 inch. Check and replace both brushes at the same time.

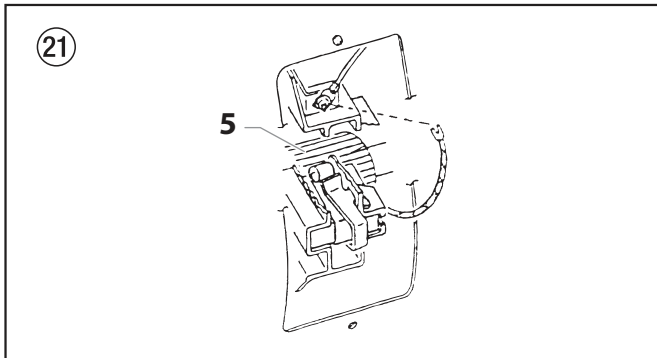
1. Remove both inspection covers (1) on the motor.



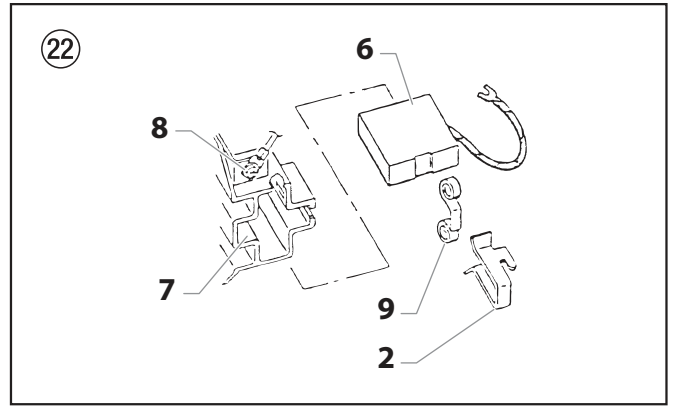
2. Push in the spring clip (2) to unhook it, then pull it out.
3. Loosen the terminal screw (3). Pull the brush lead (4) away, but leave the motor lead in place. Remove the brush and spring.



4. Inspect the commutator (5) for burning, excessive pitting or gouging. A black color on the commutator is normal.



5. Install the new brush (6) so its lead slides in the long slot of the brush holder (7). Push the terminal under the terminal screw washer (8). Ensure the motor lead is still connected at the screw. Tighten the screw.
6. Place the spring (9) on the brush (6) as shown above. Push in and hook the spring clip (2). Repeat this procedure for the other side.



7. Reinstall both inspection covers.



If electric motor overloads and stops running, IMMEDIATELY turn the motor off and follow the Pressure Relief Procedure in the Cleanup section of this manual. Wait until the motor cools (approximately 30 minutes). Then push in the bubble top, manual reset button, turn the motor on and pressurize the system.

6.7 Adjusting the Tracking of the Front Caster

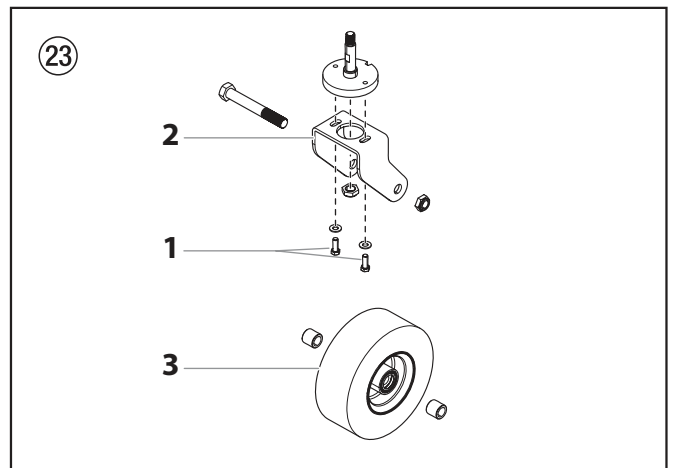
The front caster is set by the factory to track in a straight line. Use the following procedure if adjustment the caster becomes necessary.

1. Loosen the two hex screws (1) in the top of the caster mounting bracket.
2. Turn the caster mounting bracket (2) slightly in the desired direction.



The front caster locking pin must be engaged during tracking adjustment.

3. Tighten the two hex screws (1).
4. Check the tracking of the front caster (3). If the caster does not track straight, repeat the above procedure.



6.8 Replacing the Belt (Fig. 24)



Before replacing the belt on your unit, make sure you have performed the "Pressure Relief Procedure" as illustrated in the Operation section of this manual. DO NOT attempt this repair while the unit is running.



The graphics below show a unit with a gas engine. All instructions given in this section will apply to both gas engine models and electric motor models except where noted.

1. Loosen the bolt (1) on the front of the belt guard. Lift open the front end of the belt guard (2) so that the front end of the belt (3) is exposed.
2. Gently lift the front end of the gas engine / electric motor. This will loosen the tension on the belt and make it easier to remove.



PINCH HAZARD. Make sure your fingers remain clear of the gas engine / electric motor mounting plate.

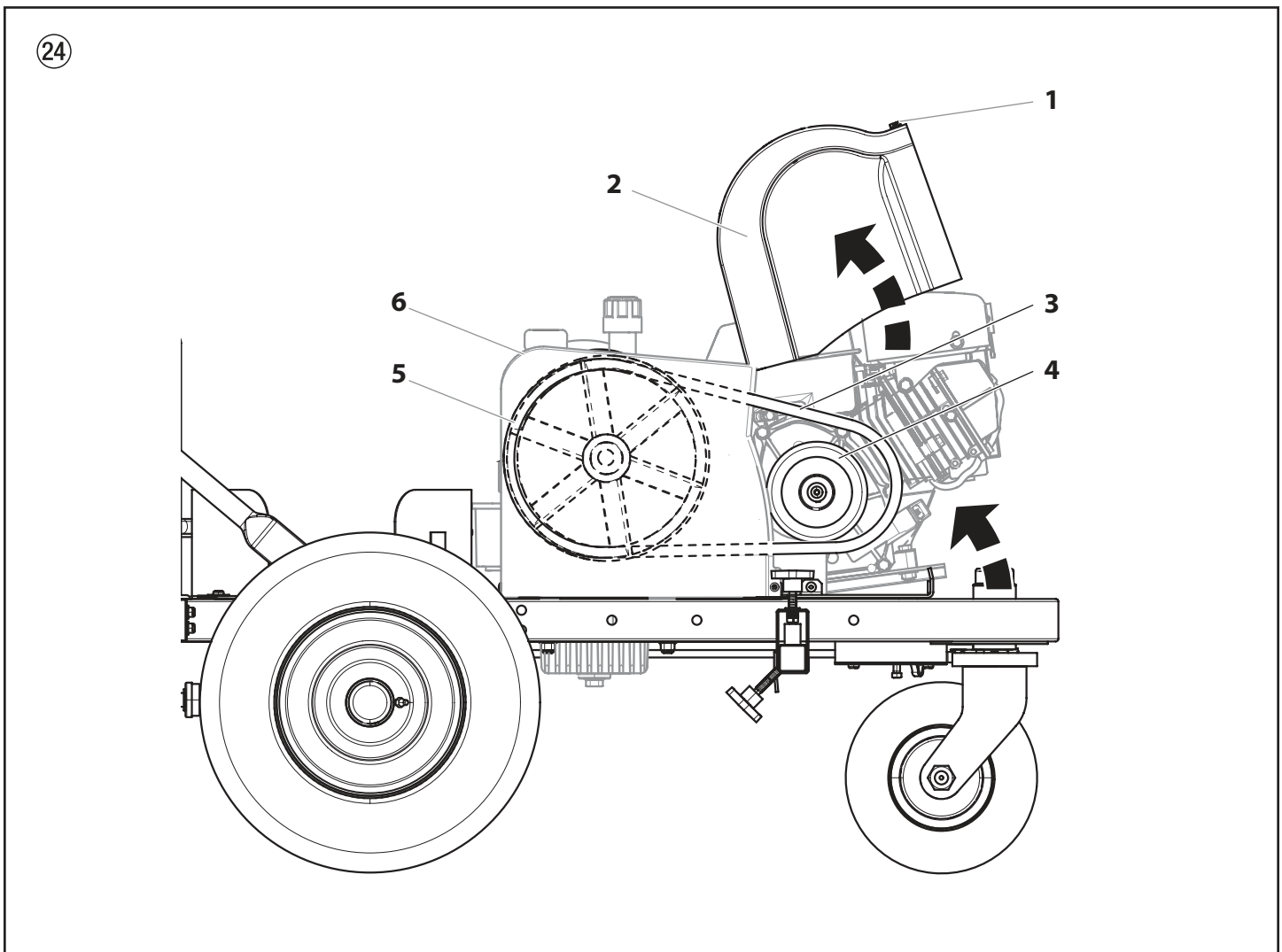
BURN HAZARD. Make sure the gas engine has had time to sufficiently cool before touching it.



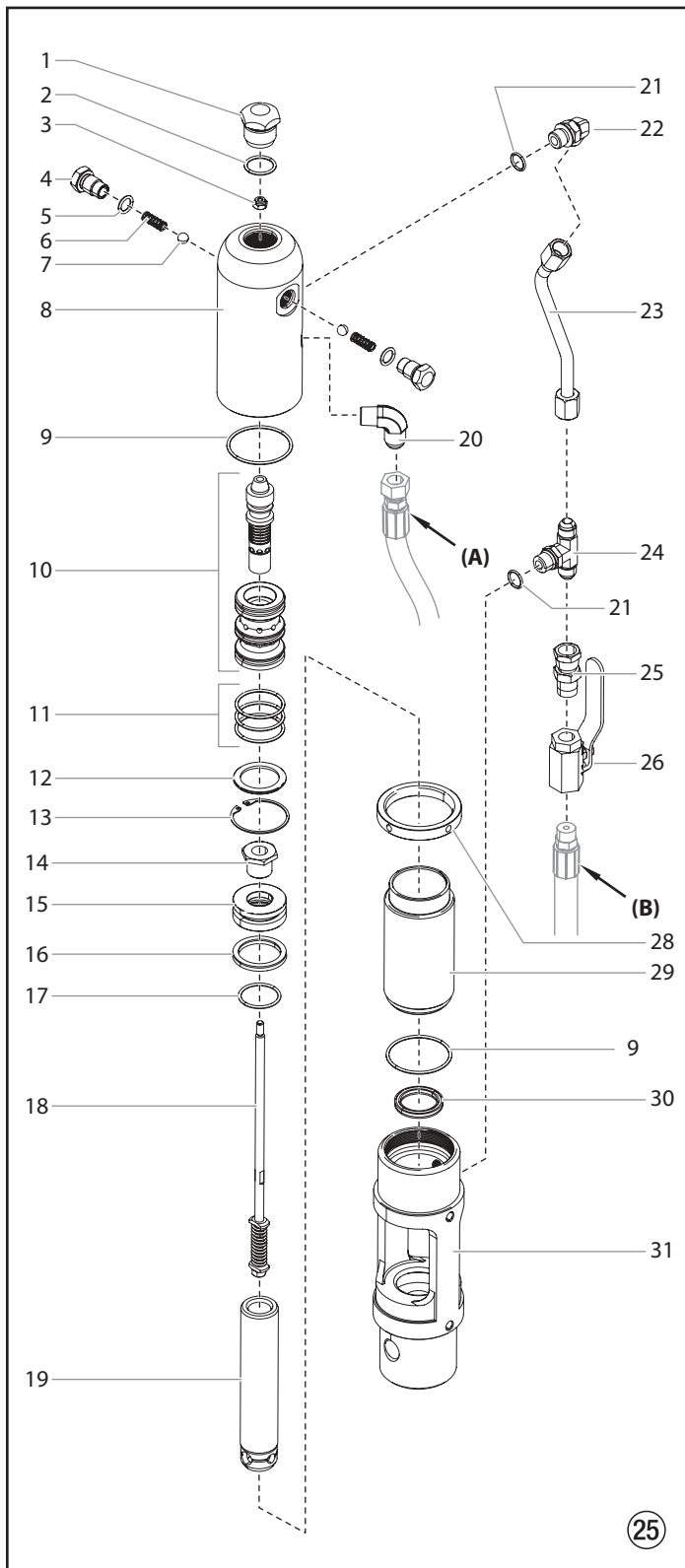
Attention

Make sure the belt is not pinched or twisted in any way once you have set the gas engine / electric motor back into place.

3. While the gas engine / electric motor is lifted up, remove the belt from the front (4) and rear (5) pulleys.
4. Install the new belt:
 - a. Insert the belt into the fixed section of the belt guard (6). Loop the belt over the rear pulley (5) until the belt engages the pulley groove.
 - b. Gently lift the front end of the gas engine / electric motor.
 - c. With the front end of the gas engine / electric motor lifted, loop the other end of the belt around the front pulley (4).
 - d. Gently set the the gas engine / electric motor down. The weight of the gas engine / electric motor will create tension in the belt and prevent it from coming off.
- e. Close the belt guard (2) and tighten the belt guard bolt (1).



6.9 Servicing the Hydraulic Motor (Fig. 25)



Refer to the "SAE O-Ring Fitting Installation" procedure at the end of this section for installation instructions for item 22 and 24.

Perform this procedure using the necessary parts from Motor Service Kit — Minor (P/N 235-050). If the hydraulic motor is operable, start the machine and jog the piston rod (19) into its top position.



Service of the hydraulic motor should be carried out in a clean, dust free area only. Any dust or metallic particles left in the motor or entering it on reassembly may damage the critical parts and affect its service life and warranty. All parts should be inspected for absolute cleanliness.

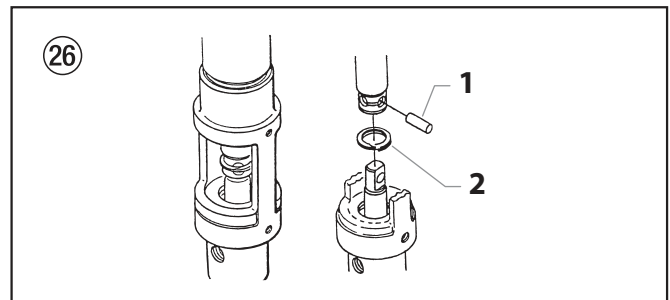
Disassembling the Hydraulic Motor

1. Disconnect the pressure hose assembly (B) from the elbow on the back of the hydraulic pump.
2. Remove the two mounting screws and two lock washers that attach the motor/pump assembly to the pump support on the cart.
3. Place the motor/pump assembly in a vise, holding it securely by the motor/pump block (31).
4. Remove cylinder head plug (1).
5. Loosen lock ring (28) with a spanner wrench and unthread tube retaining nut on tee (24). Loosen tube retaining nut on elbow (22). Slide the nut down. Remove motor tube assembly (23). Slowly unthread cylinder head (8) and lift it just high enough above the cylinder (29) to reach the valve rod assembly (18) with vise grip pliers.
6. The piston rod (19) should be near the top of its stroke for disassembly. It may be necessary to use a wood or nylon driver to push the piston rod up to its top position.
7. Grip the valve rod securely with vise grip pliers and then remove the FlexLoc nut (3) from the top of the valve rod assembly (18). Be careful that spool (10) does not fall. The cylinder head (8) can now be lifted off. Unthread the cylinder (29) from the motor/pump block (31).



An extra lock ring (28) can be used to jam the two lock rings together on the cylinder and a pipe wrench can be used to unthread the cylinder (29) from the motor/pump block.

8. To remove the connecting pin (Fig. 26, 1), slide the retaining ring (2) down with a small screwdriver, and then push the connecting pin out.



9. Remove the piston rod assembly from the motor/pump block (31).
10. Remove rod seal (30), being extremely careful not to scratch the seal groove in the motor/pump block (31).
11. Place the piston retainer screw (14) on the piston rod assembly in a vise. Slide a long bar through the hole at the base of the piston rod for leverage, and unthread the piston rod from the piston retainer screw.
12. Remove piston (19) and lift out valve rod assembly (18).

13. Remove piston seal (16) and o-ring (17).
14. Remove trip retainers (4), trip springs (6), and balls (7) from cylinder head (8). Remove o-rings (5) from trip retainers.
15. Remove retaining ring (13) and sleeve retainer (12). Gently tap spool/sleeve set (10) out of cylinder head (8) using a wood or nylon rod.
16. Inspect piston rod (19) and cylinder (29) for wear, scratches, and dents. Replace if damaged.
17. Inspect spool valve (10) for wear. Replace if necessary. spool valve should move smoothly and freely with no force by holding in a vertical position. If it does not, it can cause the motor to stall.

rod pass through the top of the spool/sleeve set (10). The valve rod threads must be clean and free of oil. Place one drop of blue Loctite on threads of flex lock nut (3) and thread nut onto valve rod to full tight position (do not over-tighten) while holding valve rod below with vise grip pliers.

13. Thread cylinder head (8) down onto the cylinder (29) and then back off just enough to reassemble hydraulic fittings and motor tube (23). Tighten lock ring with spanner wrench to hold cylinder head in position.
14. Install o-ring (2) onto cylinder head plug (1). Tighten.

Reassembling the Hydraulic Motor

1. Separate spool/sleeve set (10). Place o-rings (11) onto sleeve. Lubricate o-rings with hydraulic oil. Gently push the sleeve into cylinder head (8) with the flatter side of the sleeve facing out. Use a nylon rod to tap sleeve down until it reaches its full depth. Do not use any other type of tool that might damage or leave particles or residue on the sleeve. Install the spool through the top of the cylinder head, down into the sleeve.



Do not use Piston Lube pump packing lubricant. It is a solvent and will severely damage seals and O-Rings of the hydraulic motor.

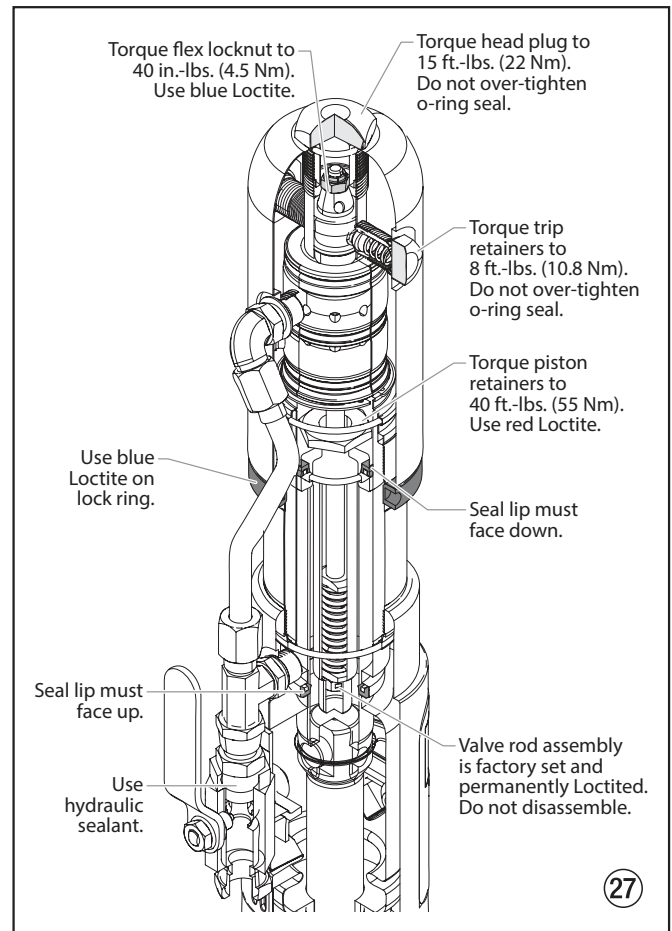
2. Install o-rings (5) on trip retainers (4). Install trip retainer balls (7) followed by springs (6) which, when installed, will hold spool/sleeve set (10) in proper place for assembly.
3. Install sleeve retainer (12) followed by retainer ring (13) into cylinder head (8), which will hold valve sleeve in place. Install o-ring (9) in the o-ring groove of the cylinder head.
4. Replace rod seal (30) in motor/pump block (31). Be sure the open portion of the seal is facing upward (V). This seal requires no special tool.
5. Place piston rod (19) in vise. Inspect valve rod assembly (18) for any damage. Make sure the lock nut at the bottom of the valve rod assembly is secure. DO NOT remove. Then, place into piston rod as illustrated. Install o-ring (17), lubricating it well and replacing piston (15) onto piston rod (19). Put one drop of blue Loctite on the piston retainer screw (14). Tighten piston retainer screw until piston is locked into place. Check valve rod assembly for normal spring action at this time.
6. Install piston seal (16) with lips facing downward. Carefully install o-ring (17). Expand the ring and stretch it sufficiently for installation.
7. With motor/pump block (31) still in vise, install rod seal (30) by pushing it towards its groove with a properly sized blunt rod. Then complete installation with the fingers. No tool is necessary. Do not twist the seal.
8. Pre-lubricate the piston and valve rod assembly with Coolflo™ hydraulic fluid (P/N 430-361). Install piston rod (19) into motor/pump block (31) with a gently pushing and rotating motion to work the piston rod in through the rod seal (30).



Inspect the bottom of piston rod (19) for nicks or sharp areas that could damage the piston seal during installation through the motor/pump block (31).

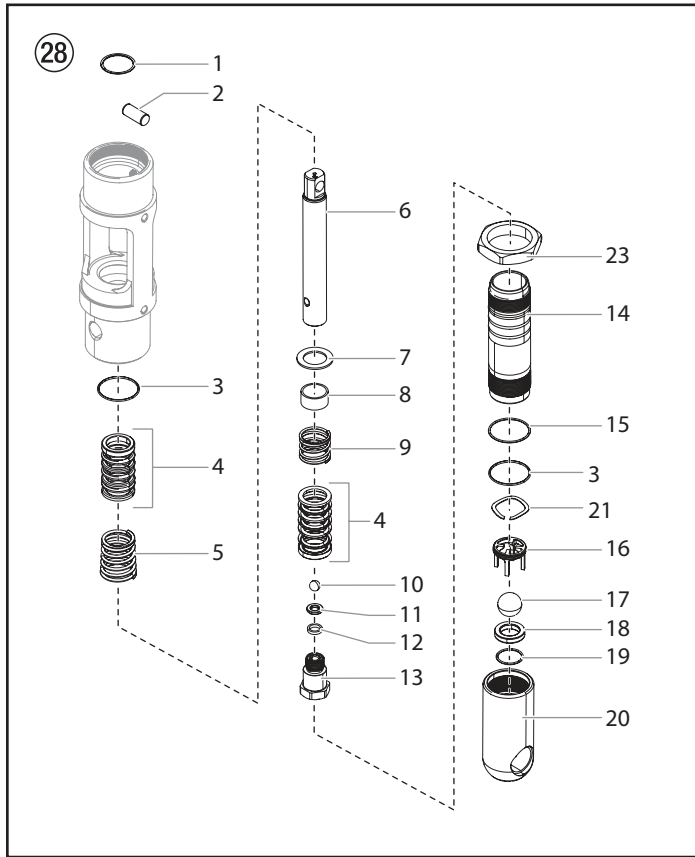
9. Replace the connecting rod pin and retainer ring.
10. Install o-ring (9) on cylinder wall. Lubricate ring and inner wall. With the piston rod held firmly, the cylinder should be gently driven over the piston seal with a rubber mallet. Tightly thread the cylinder into motor/pump block (31).
11. Raise piston rod (19) to top position and thread lock ring (28) all the way up on upper threads of cylinder (29).
12. Pull valve rod assembly (18) up as far as it will travel and grasp it with vise grip pliers. Then install cylinder head (8), already assembled, over valve rod until the top threads of the valve

Hydraulic Motor Cut-Away

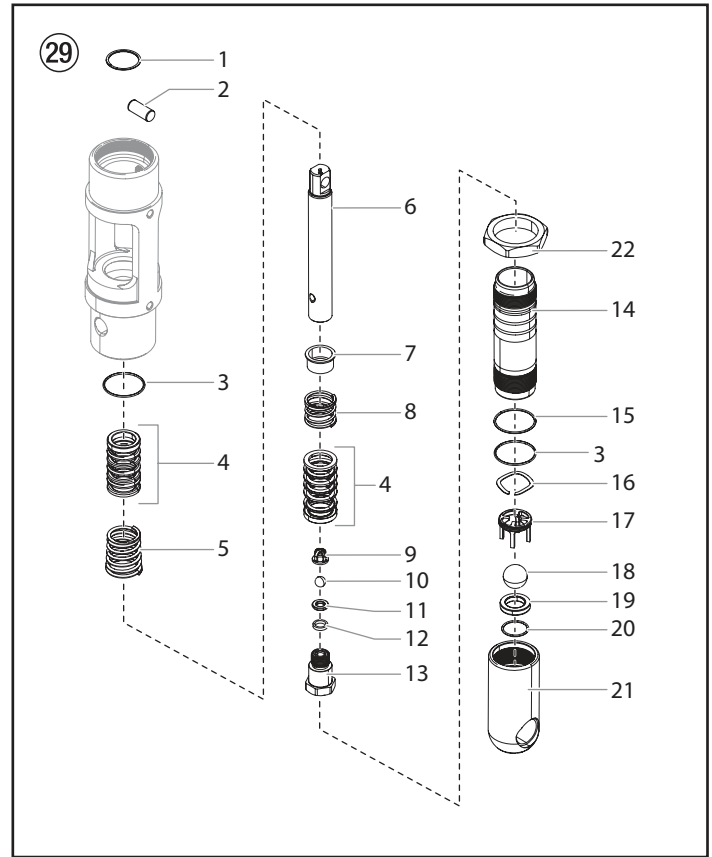


6.10 Servicing the Fluid Section

PL4955



PL6955 / PL8955



Attention

Use of non-Titan service parts may void warranty. Ask for original parts made by Titan for best services. This pump should receive a routine servicing after approximately 1,000 hours of use. Earlier servicing is required if there is excessive leakage from the top packing or if pump strokes become faster on one stroke or the other. The use of Titan Piston Lube (P/N 314-480) is recommended as an upper packing lubricant. Do not substitute oil, water, or solvent for an upper packing lubricant.



Numbers in parentheses refer to the item numbers in the fluid section illustrations. If there are two numbers, the first number represents the item number for the PL4955 and the second number represents the item number for the PL6955 / PL8955.

Disassembling the Fluid Section

- 1a. Remove the siphon hose assembly. Unthread the foot valve housing (20,21) and the pump cylinder (14) with a strap wrench.



If the pump cylinder (14) cannot be removed with a strap wrench, use the jam nut (23, 22) to remove it from the pump housing.

- 1b. Loosen the jam nut (23, 22) on the cylinder until it bottoms out on the cylinder threads. Place a wrench on the flats of the jam nut and turn the wrench counterclockwise to loosen the cylinder.
2. Slide the retainer ring (1) up with a small screwdriver, then push the connecting pin (2) out.
3. Pull the displacement rod (6) through the lower cavity of the motor/pump block.
4. Remove the PTFE o-ring (3), upper packing spring (5), and upper packing set (4) from the motor/pump block.
5. Hold the displacement rod (6) in a vise by the flats at the top of the displacement rod and remove the outlet valve housing (13) with a wrench while holding the displacement rod horizontal with wooden support, if necessary. Remove the seal washer (12), outlet valve seat (11), outlet valve ball (10), outlet valve cage (9, PL6955/PL8955) lower packing set (4), lower packing spring (9,8), sleeve (8, PL4955 only), and spring retainer (7).
6. Using a 1/2" extension bar attached to a 1/2" drive ratchet, insert the end of the extension bar into the square opening of the foot valve cage (16,17) inside the foot valve housing

- (20,21). Unscrew and remove the foot valve cage along with the wave washer (21,16) from the foot valve housing.
- 7. Remove the PTFE o-ring (3), foot valve ball (17,18), foot valve seat (18,19), and seat o-ring (19,20) from the foot valve housing (20,21).
- 8. Remove the o-ring (15) from the pump cylinder (14)

- 17. Place the o-ring (15) onto the top groove of the pump cylinder (14).
- 18. Thread the foot valve housing (20,21) onto the pump cylinder (14), tighten with a strap wrench and then back off to align the siphon hose.

Reassembling the Fluid Section

i Use PTFE tape on all threaded pipe connections.

- 1. Place a new seat o-ring (19,20) into the groove in the bottom of the foot valve housing (20,21).
- 2. Inspect the foot valve seat (18,19) for wear. If one side is worn, flip the seat to the unused side. If both sides are worn, install a new seat. Place the new or flipped seat (worn side down) into the bore at the bottom of the foot valve housing (20,21).
- 3. Place a new foot valve ball (17,18) onto the foot valve seat (18,19). Using a 1/2" extension bar attached to a 1/2" drive ratchet, insert the end of the extension bar into the square opening of the foot valve cage (16,17) and screw the foot valve cage into the foot valve housing (20,21). Torque the cage to 240 in.-lbs. (20 ft.-lbs.).
- 4. Place the wave washer (21, 16) on top of the foot valve cage (16,17).
- 5. Insert a new PTFE o-ring (3) into the groove of the foot valve housing (20,21). Lubricate the o-ring using oil or grease.
- 6. After soaking the leather packings in oil (preferably linseed oil), reassemble the lower packing set (4). Place the set onto the outlet valve housing (13) with the peak of the "V" packings pointing down toward the hex on the outlet valve housing.

i All leather packings must be soaked in CoolFlo hydraulic oil for 15–20 minutes before installation. Soaking the packings too long will cause the packings to swell and create difficulty during reassembly.

- 7. Inspect the outlet valve seat (11) for wear. If one side is worn, flip the seat to the unused side. If both sides are worn, use a new seat. Insert the outlet valve cage (9, PL6955/PL8955) outlet valve ball (10), new or flipped seat (worn side away from ball), and a new seal washer (12) into the displacement rod (6).
- 8. Clean the threads on the outlet valve housing (13) and coat the threads with blue Loctite #242. Make sure the Loctite is only on the threads.
- 9. Place the lower packing spring (9,8) onto the outlet valve housing (13) followed by the sleeve (8, PL4955 only) and spring retainer (7).
- 10. Screw the displacement rod (6) and the outlet valve housing (13) together. Tighten in a vise to 50 ft.-lbs. (68 Nm).
- 11. Insert the PTFE o-ring (3) into the upper groove of the motor/pump block.
- 12. Insert the upper packing set (4) into the motor/pump block with the peak of the "V" packings pointing up toward the motor.

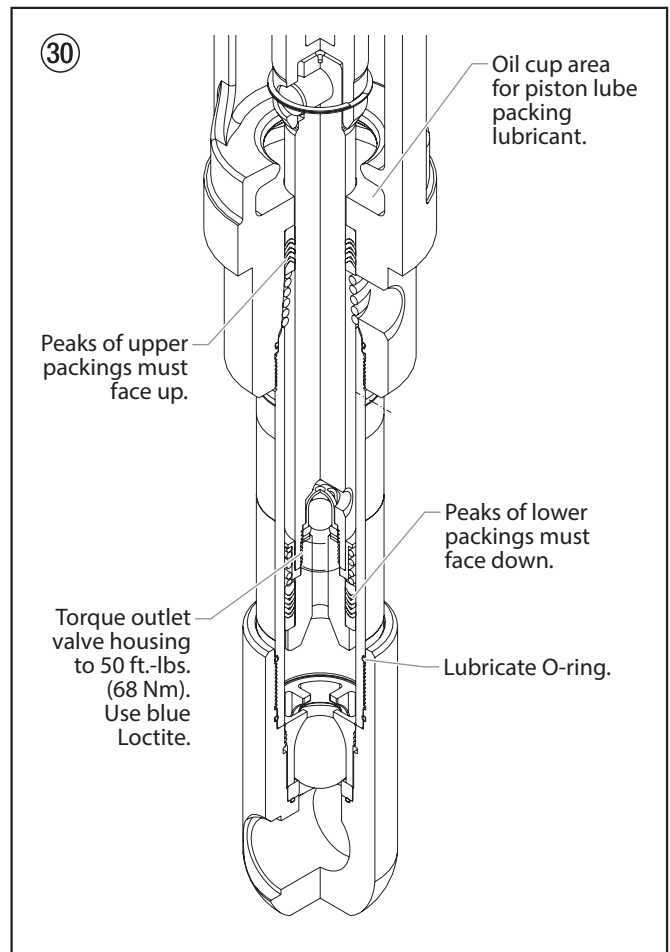
i The packings must be soaked in CoolFlo hydraulic oil before installation.

- 13. Place the upper packing spring (5) into the motor/pump block with the small tapered end facing up toward the motor/pump block.
- 14. Insert the displacement rod (6) up through the upper packings in the motor/pump block.
- 15. Align the holes in the displacement rod (6) and the hydraulic piston rod and insert the connecting pin (2). Replace the retaining ring (1) over the connecting pin.
- 16. Thread the short threads of the pump cylinder (14) into the motor/pump block and tighten with a strap wrench.

i It is not necessary to over-tighten the foot valve housing. O-ring seals perform sealing function without excessive tightening. Full thread engagement is sufficient. The foot valve housing may be rotated backward up to 1/2 turn from full engagement for convenient hose position.

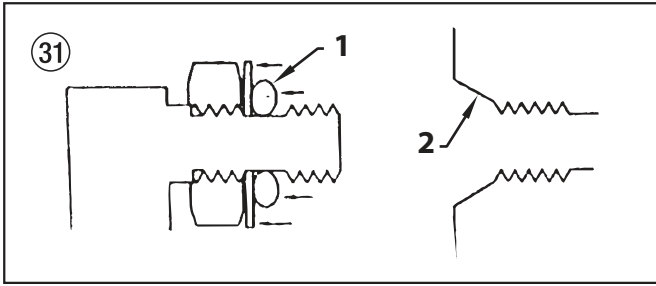
For siphon hose attachment, it is critically important that the threads of the siphon hose fit snugly into the foot valve housing with the hose assembly couplings PTFE taped and sealed to prevent air leakage.

Fluid Section Cut-Away

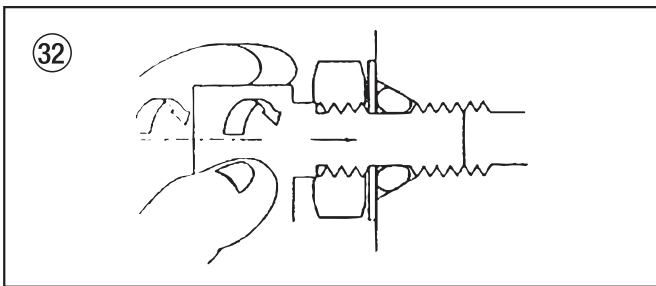


6.11 SAE O-Ring Fitting Installation

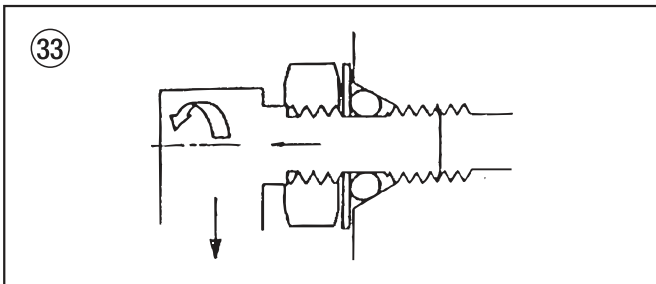
1. Pull washer and o-ring back as far as possible.
2. Lubricate o-ring (1) and entrance port (2).



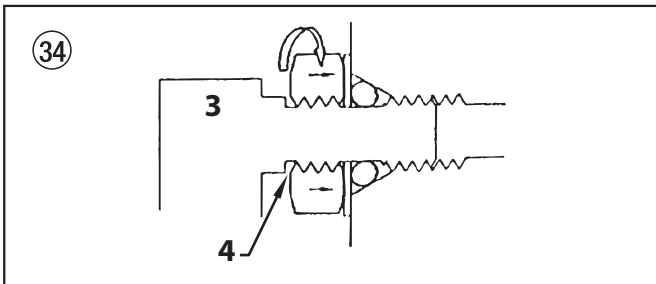
3. Screw fitting in until washer pushes o-ring into entrance and sits flat against port. (Do not tighten! - only do this step hand tight to compress o-ring into port!)



4. Back fitting out no more than one complete turn to align as required.



5. Torque nut wrench tight holding backup on fitting (3). This should expose a recess gap (4) behind the nut which can act as an indicator that the fitting is assembled correctly. (This is a feature for a specific version of this fitting only - which screws into the cylinder head. Other fittings, as the ones which attach to the hydraulic pump, assemble the same but may not have the indicator.)



Attention

Avoid screwing in the fitting too far. This can cause the washer to bend, which will cause the O-ring to extrude.

Avoid leaving the fitting out too far. This can lead to the O-ring being cut on the threads of the fitting.

7. Troubleshooting

7.1 Airless Gun

| Problem | Cause | Solution |
|--------------------------|---|---|
| A. Spitting gun | <ol style="list-style-type: none"> Air in system Dirty gun Needle assembly out of adjustment Broken or chipped seat | <ol style="list-style-type: none"> Inspect connections for air leaks. Disassemble and clean. Inspect and adjust. Inspect and replace. |
| B. Gun will not shut off | <ol style="list-style-type: none"> Worn or broken needle & seat Needle assembly out of adjustment Dirty gun | <ol style="list-style-type: none"> Replace. Adjust. Clean. |
| C. Gun does not spray | <ol style="list-style-type: none"> No paint Plugged filter or tip Broken needle in gun | <ol style="list-style-type: none"> Check fluid supply. Clean. Replace. |

7.2 Fluid Section

| Problem | Cause | Solution |
|---|---|---|
| A. Pump delivers on upstroke only or goes up slowly and down fast (commonly called downstroke dive) | <ol style="list-style-type: none"> Lower foot valve ball is not seating due to trash or wear Material too viscous to siphon. Air leaking in on siphon side or damaged siphon hose. Siphon may be too small for heavy material. | <ol style="list-style-type: none"> Remove foot valve assembly. Clean and inspect. Test foot valve by filling with water; if ball fails to seal the seat, replace ball. Thin material — contact manufacturer for proper thinning procedures. Tighten all connections between pump and paint container. If damaged, replace. Switch to larger diameter siphon set. |
| B. Pump delivers on down stroke only or goes up fast and down slowly | <ol style="list-style-type: none"> Upper ball is not seating due to trash or wear Lower packing set is worn | <ol style="list-style-type: none"> Check upper seat and ball with water. If ball fails to seal, replace seat. Replace packing set if worn. |
| C. Pump moves up and down fast, delivering material | <ol style="list-style-type: none"> Material container is empty or material is too thick to flow through siphon hose Bottom ball stuck to foot valve seat Siphon hose is kinked or loose | <ol style="list-style-type: none"> Refill with new material. If too thick, remove siphon hose, immerse fluid section in material, and start pump to prime. Add thinner to material. Change to bigger siphon set. Open bleed valve to remove air and restart pump. Remove foot valve. Clean ball and seat. Straighten. |
| D. Pump moves up and down slowly when spray gun is shut off | <ol style="list-style-type: none"> Loose connections. Bleed valve is open partially or bleed valve is worn. Lower packing seat is worn. Upper and/or lower ball not seating | <ol style="list-style-type: none"> Check all connections between pump and gun. Tighten as necessary. If material is flowing from bleed hose, close bleed valve or replace, if necessary. Should none of the above be evident, replace lower packing. Reseat balls by cleaning. |
| E. Not enough fluid pressure at gun | <ol style="list-style-type: none"> Spray tip is worn Outlet filter or gun filter is clogged Low voltage and/or inadequate amperage Hose size or length is too small or too long | <ol style="list-style-type: none"> Replace. Clean or replace filter. Check electrical service. Correct as required. Increase hose size to minimize pressure drop through hose and/or reduce hose length. |
| F. Pump chatters on up or down stroke | <ol style="list-style-type: none"> Solvent has caused upper packing to swell | <ol style="list-style-type: none"> Replace packing. |

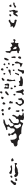
7.3 Hydraulic Motors

| Problem | Cause | Solution |
|--|---|--|
| A. Oil motor stalls at bottom (no unusual heat problems) | <ol style="list-style-type: none"> 1. Fluid pump piston seat unthreaded 2. Valve sticking or oil motor trip rod shifter assembly separated | <ol style="list-style-type: none"> 1. If connecting rod is okay, remove cylinder head plug and pop valve down. Replace plug and start machine. If machine cycles up and stops at bottom again, then problem is piston seat on fluid pump. Check piston seat. Repair or replace as necessary. If piston seat is okay and problem does not change, check oil motor. 2. Remove valve and check for scratches and rough movement when sliding it up and down. Replace valve and spool in this condition. Check trip rod for possible separation and spool in this condition. Check trip rod for possible separation. |
| B. Oil motor stalls at top (no unusual heat problems) | <ol style="list-style-type: none"> 1. Valve sticking 2. Broken spring retainer (valve rod assembly) 3. Broken spring or valve rod 4. Air in hydraulic motor 5. Air in fluid pump | <ol style="list-style-type: none"> 1. Remove valve and check for scratches and rough movement when sliding it up and down. Replace valve and spool in this condition. 2. Replace valve rod assembly. 3. Replace valve rod assembly. 4. Reset valve. Purge Air, generally accomplished by low pressure cycling of motor/pump assembly for 5–10 minutes. Check for causes of air introduction: <ul style="list-style-type: none"> • Loose fittings in tank. • Loose fittings on hydraulic pump. • Loose hose connections. • Low oil in reservoir. 5. Stall at top can occur randomly when fluid pump picks up air. Reset valve. Avoid air in the fluid pump. |
| C. Low pressure (okay on down stroke, sluggish on up.stroke — high heat) | <ol style="list-style-type: none"> 1. Blown piston seal 2. Cracked piston | <ol style="list-style-type: none"> 1. Before dismantling oil motor, start machine. With pump cycling under pressure, touch the hydraulic cylinder and the head to see if cylinder or head gets hotter. This will help determine if piston seal is blown or piston nut is broken. If heat is on the head, check the o-rings on spool valve. 2. Dismantle oil motor and check piston seals cylinder bore and piston nut. Pay special attention to piston nut. It can be cracked and not show externally. |
| Note: Engine labors on upstroke, idles back at stall on the down stroke. | | |
| D. Low pressure (both strokes - high heat) | <ol style="list-style-type: none"> 1. Blown center o-rings on spool valve 2. Bad hydraulic pump | <ol style="list-style-type: none"> 1. Before dismantling oil motor, start machine. With pump cycling under pressure, touch the head to see if the head becomes hotter. This will help determine if center o-ring is blown on spool valve. If hot, remove and replace o-ring. 2. Replace hydraulic pump. |
| Note: Engine labors at stall on both strokes. | | |

7.4 Spray Patterns

Problem

A. Tails



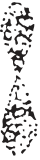
Cause

1. Inadequate fluid delivery

Solution

1. Fluid not atomizing correctly: Increase fluid pressure. Change to smaller tip orifice size. Reduce fluid viscosity. Reduce hose length. Clean gun and filter(s). Reduce number of guns using pump.

B. Hour glass



1. Inadequate fluid delivery

1. Same as above.

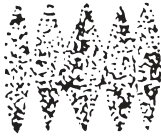
C. Distorted



1. Plugged or worn nozzle tip

1. Clean or replace nozzle tip.

D. Pattern expanding and contracting (surge)



1. Suction leak
2. Pulsating fluid delivery

1. Inspect for suction hose leak.
2. Change to a smaller tip orifice size. Install pulsation dampener in system or drain existing one. Reduce number of guns using pump. Remove restrictions in system; clean tip screen if filter is used.

E. Round pattern



1. Worn tip
2. Fluid too heavy for tip

1. Replace tip.
2. Increase pressure. Thin material. Change nozzle tip.

Warnung!

**Achtung: Verletzungsgefahr durch Injektion!
Airless-Geräte entwickeln extrem hohe Spritzdrücke.**



1

Niemals Finger, Hände oder andere Körperteile mit dem Spritzstrahl in Berührung bringen!

Nie die Spritzpistole auf sich, Personen und Tiere richten.

Nie die Spritzpistole ohne Spritzstrahl-Berührungsschutz benutzen.

Behandeln Sie eine Spritzverletzung nicht als harmlose Schnittverletzung. Bei einer Hautverletzung durch Beschichtungsstoff oder Lösemittel sofort einen Arzt aufsuchen zur schnellen, fachkundigen Behandlung. Informieren Sie den Arzt über den verwendeten Beschichtungsstoff oder das Lösemittel.

2

Vor jeder Inbetriebnahme sind gemäß Betriebsanleitung folgende Punkte zu beachten:

1. Fehlerhafte Geräte dürfen nicht benutzt werden.
2. Titan-Spritzpistole sichern mit Sicherungshebel am Abzugsbügel.
3. Erdung sicherstellen.
4. Zulässigen Betriebsdruck von Hochdruckschlauch und Spritzpistole überprüfen.
5. Alle Verbindungsteile auf Dichtheit prüfen.

3

Anweisungen zur regelmäßigen Reinigung und Wartung des Gerätes sind streng einzuhalten.

Vor allen Arbeiten am Gerät und bei jeder Arbeitspause folgende Regeln beachten:

1. Spritzpistole und Hochdruckschlauch druckentlasten.
2. Titan-Spritzpistole sichern mit Sicherungshebel am Abzugsbügel.
3. Gerät ausschalten.

Achte auf Sicherheit!

Inhalt

| | Seite | | Seite |
|---|-------|--|------------|
| 1. Sicherheitsvorschriften für das Airless-Spritzen | 28 | 7. Fehlerbehebung | 49 |
| 1.1 Erklärung der verwendeten Symbole..... | 28 | 7.1 Airless-Spritzpistole..... | 49 |
| 1.2 Elektrische Sicherheit..... | 29 | 7.2 Flüssigkeitsbereich..... | 49 |
| 1.3 Benzinmotoren-Betriebssicherheit..... | 30 | 7.3 Hydraulikmotor..... | 50 |
| 1.4 Betanken (Benzinmotor)..... | 30 | 7.4 Spritzmuster..... | 51 |
| 2. Anwendungsübersicht | 31 | Zubehör und Ersatzteile | 78 |
| 2.1 Einsatzgebiete..... | 31 | Ersatzteilliste Hauptbaugruppe..... | 78/79 |
| 2.2 Beschichtungsstoffe..... | 31 | Ersatzteilliste Wagen I..... | 80/81 |
| 3. Gerätebeschreibung | 31 | Ersatzteilliste Wagen II..... | 82/83 |
| 3.1 Airless-Verfahren..... | 31 | Ersatzteilliste Hydrauliksystem..... | 84/85 |
| 3.2 Funktion des Gerätes..... | 31 | Ersatzteilliste Hydraulikmotor..... | 86/87 |
| 3.3 Erklärungsbild PL-Geräte mit Benzinmotor..... | 32 | Ersatzteilliste Flüssigkeitsbereich • PL4955..... | 88/89 |
| 3.4 Technische Daten PL-Geräte..... | 33 | Ersatzteilliste Flüssigkeitsbereich • PL6955 / PL8955..... | 90/91 |
| 4. Bedienung | 34 | Ersatzteilliste Convertokit, Benzinmotor..... | 92 |
| 4.1 Aufladen der Batterie (PL6955 / PL8955)..... | 34 | Ersatzteilliste Keilriemenbaugruppe..... | 93 |
| 4.2 Einrichtung..... | 34 | Ersatzteilliste Hochdruckfilter..... | 94/95 |
| 4.3 Vorbereitung eines neuen Spritzgeräts..... | 36 | Ersatzteilliste Ablassschlauchbaugruppe mit Ventil..... | 96 |
| 4.4 Vorbereitung der Farbe..... | 36 | Ersatzteilliste Ablassschlauchbaugruppe..... | 97 |
| 4.5 Farbgebung..... | 37 | Ersatzteilliste Sprüherbaugruppe..... | 98 |
| 4.6 Vorgehensweise bei Druckentlastung..... | 38 | Ersatzteilliste Baugruppe Hebe-/Kippvorrichtung..... | 99 |
| 4.7 Den Frontalsprüher bedienen..... | 38 | Ersatzteilliste Baugruppe Pistolenhalter..... | 100 |
| 4.8 Zusammenklappen der Haltevorrichtung der Spritzpistole..... | 38 | Anschlussplan hydraulischer Schlauch | 101 |
| 5. Reinigung | 39 | Schaltplan (PL4955) | 102 |
| 5.1 Besondere Reinigungshinweise bei Verwendung entflammbarer Lösungsmittel..... | 39 | Schaltplan (PL6955/PL8955) | 103 |
| 5.2 Reinigung des Spritzgeräts..... | 39 | Zubehör für PL-Geräte | 104 |
| 5.3 Eine verstopfte Düse reinigen..... | 39 | TR-1 Streifendüsentabelle..... | 105 |
| 6. Unterhalt | 40 | Ersatzteilliste Convertokit, Elektromotor (120V)..... | 107 |
| 6.1 Tägliche Wartung..... | 40 | Garantie | 111 |
| 6.2 Unterhalt des Filteraufbaus..... | 40 | | |
| 6.3 Unterhalt des hydraulischen Systems..... | 41 | | |
| 6.4 Unterhalt des Flüssigkeitsbereichs..... | 41 | | |
| 6.5 Einfacher Unterhalt des Motors (Benzinmotor)..... | 41 | | |
| 6.6 Auswechseln der Motorbürsten (optional 120 V elektrischer Motor)..... | 42 | | |
| 6.7 Abstimmen der Laufspur des Frontalsprühers..... | 42 | | |
| 6.8 Auswechseln des Riemens..... | 43 | | |
| 6.9 Wartung des Hydraulikmotors..... | 44 | | |
| 6.10 Unterhalt des Flüssigkeitsbereiches..... | 46 | | |
| 6.11 Montageanleitung zum SAE O-Ring..... | 48 | | |

1. Sicherheitsvorschriften für das Airless-Spritzen

1.1 Erklärung der verwendeten Symbole

Diese Bedienanleitung enthält Informationen, die der Benutzer vor Verwendung des Geräts gründlich durcharbeiten muss. In Bereichen, die mit den folgenden Symbolen gekennzeichnet sind, besonders vorsichtig arbeiten und alle Sicherheitshinweise beachten.

| | |
|--|---|
|  | Dieses Symbol verweist auf eine potenzielle Gefahr, die zum Tode oder zu schweren Verletzungen führen kann. Hier finden Sie wichtige Sicherheitsinformationen. |
|  Achtung | Dieses Symbol weist auf eine potenzielle Gefahr für Sie bzw. das Gerät hin. Unter diesem Symbol finden Sie wichtige Informationen, wie Sie Schäden an dem Gerät und Verletzungsgefahr vermeiden. |
|  | Injektionsgefahr |
|  | Brandgefahr durch Lösemittel und Farbdämpfe |
|  | Explosionsgefahr durch Lösemittel, Farbdämpfe und ungeeignete Materialien |
|  | Verletzungsgefahr durch das Einatmen von schädlichen Dämpfen |
|  | Hinweise enthalten wichtige Informationen, die beachtet werden sollten. |



GEFAHR: Verletzung durch Flüssigkeiten unter Druck

Eine unter hohem Druck stehende Flüssigkeit, wie sie von diesem Gerät erzeugt wird, kann die Haut durchdringen und in das darunter liegende Bindegewebe eindringen und so zu schweren Verletzungen und selbst zur Amputation führen.

Behandeln Sie eine Spritzverletzung nicht als harmlose Schnittverletzung. Bei einer Hautverletzung durch Beschichtungsstoff oder Lösemittel sofort einen Arzt aufsuchen zur schnellen, fachkundigen Behandlung. Informieren Sie den Arzt über den verwendeten Beschichtungsstoff oder das Lösemittel.

VORSICHTSMASSNAHMEN:

- NIEMALS die Spritzpistole auf Körperteile halten.
- NIEMALS mit Körperteilen den Flüssigkeitsstrahl berühren. NIEMALS mit dem Körper eine Leckstelle im Druckschlauch berühren.
- NIEMALS die Hand vor die Düse der Spritzpistole halten. Handschuhe stellen keinen sicheren Schutz vor Verletzungen durch injizierte Flüssigkeiten dar.
- STETS den Auslöser der Spritzpistole verriegeln, die Pumpe ausschalten und den Druck vollständig entspannen, bevor Wartungs- und Reinigungsarbeiten, Durchsichten, Düsenwechsel oder ähnliche Arbeiten durchgeführt werden oder das Gerät unbeaufsichtigt gelassen wird. Auch nach dem Ausschalten des Motors steht das Gerät noch unter Druck. Das Ventil PRIME/SPRAY (Vorfüll-/Sprühventil) bzw.

das Druckentlastungsventil müssen in ihren Sollpositionen stehen, um den Systemdruck zu entspannen.

- STETS den Düsenschutz aufsetzen, wenn Spritzarbeiten durchgeführt werden. Der Düsenschutz stellt einen gewissen Schutz dar, ist aber vor allem als Warnvorrichtung gedacht.
- STETS die Spritzdüse entfernen, bevor das System gereinigt oder gespült wird.
- NIEMALS eine Spritzpistole ohne funktionsfähige Auslöserverriegelung und ohne Auslöserbügel verwenden.
- Das gesamte Zubehör muss mindestens für den maximalen Betriebsdruckbereich des Spritzgeräts zugelassen sein. Dazu gehören Spritzdüsen, Spritzpistolen, Verlängerungen und Schlauch.



GEFAHR: Hochdruckschlauch

Durch Verschleiß, Knicken und nicht zweckentsprechende Verwendung können sich Leckstellen im Farbschlauch bilden. Durch eine Leckstelle kann Flüssigkeit in die Haut injiziert werden. Vor Verwendung den Schlauch gründlich prüfen.

VORSICHTSMASSNAHMEN:

- Scharfes Biegen oder Knicken des Hochdruckschlauhes vermeiden, kleinster Biegeradius etwa 20 cm.
- Hochdruckschlauch nicht überfahren, sowie vor scharfen Gegenständen und Kanten schützen.
- Beschädigten Hochdruckschlauch sofort ersetzen.
- Niemals defekten Hochdruckschlauch selbst reparieren!
- Elektrostatische Aufladung von Spritzpistole und Hochdruckschlauch wird über den Hochdruckschlauch abgeleitet. Deshalb muss der elektrische Widerstand zwischen den Anschlüssen des Hochdruckschlauchs gleich oder kleiner ein Megaohm betragen.
- Aus Gründen der Funktion, Sicherheit und Lebensdauer, nur Titan-Original-Ersatzhochdruckschläuche verwenden.
- Vor jedem Einsatz alle Schläuche auf Einschnitte, Leckstellen, Scheuerstellen oder gewölbte Oberflächen kontrollieren. Die Kupplungen auf Unversehrtheit und festen Sitz kontrollieren. Schläuche unverzüglich ersetzen, wenn einer der oben genannten Fehler festgestellt wird. Einen Farbschlauch niemals reparieren. Einen defekten Schlauch durch einen geerdeten Hochdruckschlauch ersetzen.
- Achten Sie darauf, Spritzschläuche so zu verlegen, dass die Rutsch-, Stolper-, und Unfallgefahr minimiert wird.



GEFAHR: Explosions- und Brandgefahr

Brennbare Dämpfe, wie z. B. Dämpfe von Lösungsmitteln und Farben können sich in den Arbeitsbereichen entzünden oder explodieren.

VORSICHTSMASSNAHMEN:

- Verwenden Sie das Gerät ausschließlich in gut belüfteten Bereichen. Achten Sie auf ausreichende Frischluftzufuhr im gesamten Bereich, damit sich keine brennbaren Dämpfe in der Luft im Spritzbereich ansammeln können. Bewahren Sie die Pumpenbaugruppe in einem gut belüfteten Bereich auf. Besprühen Sie nicht die Pumpenbaugruppe.
- Nur Modelle mit Benzin - Befüllen Sie den Treibstofftank nicht, wenn der Motor läuft oder heiß ist; schalten Sie den Motor ab und lassen diesen abkühlen. Der Treibstoff ist brennbar und kann sich entzünden bzw. explodieren, wenn dieser mit einer heißen Oberfläche in Berührung kommt.
- Nur elektronische Modelle - Verwenden Sie keine Materialien mit einem Flammpunkt unter 38°C (100°F). Der Flammpunkt

ist die Temperatur, bei der eine Flüssigkeit ausreichend Dämpfe entwickeln kann, dass sich diese entzünden.

- Beseitigen Sie alle Zündquellen, wie z. B. Zündflammen, Zigaretten, tragbare elektrische Lampen und Plastikabdeckplanen (potenzieller elektrostatischer Lichtbogen).
- Halten Sie die Arbeitsbereiche frei von Verunreinigungen, einschließlich Lösungsmittel, Lappen und Benzin.
- Schließen Sie die Elektrozuleitungen nicht bzw. trennen diese nicht ab bzw. schalten Sie die Netzschalter bzw. Lichtschalter nicht ein bzw. aus, wenn sich brennbare Dämpfe entwickelt haben.
- Schutzleiter und leitfähige Gegenstände im Arbeitsbereich. Achten Sie darauf, dass Erdungsketten vorhanden sind und dass diese den Boden erreicht.
- Verwenden Sie ausschließlich geerdete Schläuche.
- Halten Sie die Spritzpistole fest an die Seite eines geerdeten Eimers, wenn Sie in den Eimer spritzen.
- Kommt es durch statische Aufladung zu Funkenbildung bzw. wenn Sie einen Stromschlag verspüren, brechen Sie den Vorgang umgehend ab.
- Sie müssen die Zusammensetzung der Farben und Lösungsmittel, die Sie spritzen möchten, kennen. Lesen Sie alle Material Sicherheitsdatenblätter (MSDS) und Behälterbeschriftungen von Farben und Lösungsmitteln durch. Befolgen Sie die Sicherheitsanweisungen des Farben- und Lösungsmittelherstellers.
- Verwenden Sie keine Farben bzw. Lösungsmittel, die Halogenkohlenwasserstoffe enthalten, wie z. B. Chlor, Bleiche, Antischimmelmittel, Methylenchlorid und Trichlorethan. Sie sind nicht kompatibel mit Aluminium. Setzen Sie sich mit dem Lieferanten der Beschichtung hinsichtlich der Kompatibilität des Materials mit Aluminium in Verbindung.
- Halten Sie im Arbeitsbereich einen Feuerlöscher bereit.



GEFAHR: Gefährliche Dämpfe

Farben, Lösungsmittel und andere Materialien können beim Einatmen oder beim Kontakt mit dem Körper gesundheitsschädlich sein. Die Dämpfe können schwere Übelkeit, Ohnmacht und Vergiftungen verursachen.

VORSICHTSMASSNAHMEN :

- Bei Spritzarbeiten Atemschutz tragen. Alle mit der Gesichtsmaske mitgelieferten Anleitungen durcharbeiten, damit die Gesichtsmaske auch den gewünschten Schutz bietet.
- Dem Benutzer ist eine Atemschutzmaske zur Verfügung zu stellen (Berufs-Genossenschaftliche Regeln „Regeln für den Einsatz von Atemschutzgeräten“ (BGR 190).
- Arbeitsschutzbrille tragen.
- Zum Schutz der Haut sind Schutzkleidung, Handschuhe und eventuell Hautschutzcreme erforderlich (BGR 197 "Benutzung von Hautschutz"). Vorschriften der Hersteller beachten zu den Beschichtungsstoffen, Lösemittel und Reinigungsmittel bei Aufbereitung, Verarbeitung und Gerätereinigung.



GEFAHR: Allgemeines

Kann schwere Personen- oder Sachschäden verursachen.

VORSICHTSMASSNAHMEN :

- Alle lokalen sowie im Land bzw. Bundesland geltenden Vorschriften zum Brandschutz, zur Bedienung und Lüftung einhalten.
- Bei Betätigung des Auslösers zieht die Spritzpistole zur Seite. Diese Kraftwirkung der Spritzpistole ist besonders stark, wenn die Düse entfernt und bei der Pumpe hoher Druck eingestellt

wurde. Bei der Reinigung mit abgeschraubter Düse daher den Druckreglerknopf auf den niedrigsten Druck einstellen.

- Nur vom Hersteller zugelassene Teile verwenden. Bei Verwendung von Teilen, die nicht die technischen Mindestanforderungen erfüllen, trägt der Benutzer alle Risiken und die gesamte Haftung. Dies gilt auch für die Sicherheitsvorrichtungen der Pumpe.
- IMMER die Hinweise des Herstellers zum sicheren Umgang mit Farben und Lösungsmitteln einhalten.
- Verschüttete Materialien und Lösemitteln sofort aufwischen, um Rutschgefahr zu vermeiden.
- Gehörschutz tragen. Dieses Gerät kann einen Schalldruck über 85 dB(A) erzeugen.
- Das Gerät niemals unbeaufsichtigt lassen. Kinder oder andere Personen, die mit dem Betrieb des druckluftlosen Spritzgeräts nicht vertraut sind, von dem Gerät fern halten.
- An windigen Tagen nicht im Freien spritzen.
- Das Gerät inklusive aller Flüssigkeiten (z.B. Hydrauliköl) müssen umweltgerecht entsorgt werden.

1.2 Elektrische Sicherheit

Elektrogeräte müssen geerdet werden. Bei einem elektrischen Kurzschluss reduziert die Erdung die Gefahr eines elektrischen Schlages, da der Fehlerstrom über den Schutzleiter abgeführt wird. Dieses Gerät ist mit einem Netzkabel versehen, das einen Schutzkontaktstecker besitzt. Anschluss an das Stromnetz nur über einen besonderen Speisepunkt z. B. über eine Fehlerstromschutzeinrichtung mit $INF \leq 30 \text{ mA}$.



GEFAHR — Arbeiten oder Reparaturen an der elektrischen Ausrüstung nur von einer Elektrofachkraft durchführen lassen. Für unsachgemäße Installation wird keine Haftung übernommen. Gerät ausschalten. Vor allen Reparaturen – Netzstecker aus der Steckdose ziehen.

Gerätereinigung: Kurzschlussgefahr durch eindringendes Wasser in die elektrische Ausrüstung. Gerät niemals mit Hochdruck- oder Dampf Hochdruckreiniger abspritzen.



Keine 12V-Steckdose verwenden, wenn keine voll geladene Batterie angeschlossen ist.

Arbeiten oder Reparaturen an der elektrischen Ausrüstung:

Diese nur von einer Elektrofachkraft durchführen lassen. Für unsachgemäße Installation wird keine Haftung übernommen.

Betriebstemperatur

Dieses Gerät funktioniert einwandfrei in seiner für ihn vorgesehen Raumtemperatur zwischen +10°C und +40°C.

Relative Feuchtigkeit

Das Gerät funktioniert in einem Umfeld mit einer relativen Feuchtigkeit von 50%, bei +40°C einwandfrei. Eine höhere relative Feuchtigkeit stellt bei niedrigeren Temperaturen kein Problem dar.

Der Käufer des Geräts muss Maßnahmen ergreifen, um die schädlichen Auswirkungen der gelegentlichen Kondensation zu vermeiden.

Höhe

Dieses Gerät funktioniert in einer Höhe von bis zu 2100m über n.n. einwandfrei.

Transport und Aufbewahrung

Dieses Gerät hält Transport- bzw. Aufbewahrungstemperaturen von -25°C bis + 55°C, kurzzeitig auch bis zu +70°C, stand bzw. ist dagegen geschützt.

Es wurde so verpackt, dass es Beschädigungen durch die Auswirkungen von normaler Feuchtigkeit, Erschütterungen und Stößen standhält.

1.3 Benzinmotoren-Betriebssicherheit

1. Benzinmotoren sind so gebaut, dass sie sicher und verlässlich funktionieren, wenn sie gemäss der Instruktionen bedient werden. Vor der Bedienung des Motors muss das Besitzerhandbuch des Herstellers gelesen und verstanden werden. Bei Unterlassung kann Personenverletzung oder Materialschaden entstehen.
2. Um Feuergefahr zu vermeiden und genügend Ventilation zu erlauben, muss der Motor mindestens 1 Meter von Gebäuden und anderen Maschinen entfernt sein wenn er in Betrieb ist. Keine brennbaren Gegenstände in der Nähe des Motors aufbewahren.
3. Personen, die das Gerät nicht bedienen, dürfen den Betriebsbereich nicht betreten, da die Möglichkeit besteht Verbrennungen von heissen Motorenteilen oder Verletzungen durch Geräte, die zur Bedienung des Motors benutzt werden, zu erleiden.
4. Seien Sie vertraut damit, wie Sie den Motor schnell abstellen können und wissen Sie Bescheid über alle Bedienungselemente und deren Handhabung. Erlauben Sie niemandem, den Motor ohne sachgerechte Anleitung zu bedienen.
5. Benzin ist äusserst flammbar und unter bestimmten Bedingungen explosiv.
6. Tanken Sie Benzin nur in einem gut durchlüfteten Bereich nach, nachdem der Motor abgestellt wurde. Rauchen Sie nicht und erlauben Sie keine Flammen oder Funken im Bereich in welchem aufgetankt wird oder Benzin aufbewahrt wird.
7. Ueberfüllen Sie den Benzintank nicht. Nach dem Auftanken, vergewissern Sie sich, dass die Tankverschlusskappe richtig und sicher aufgeschraubt ist.
8. Seien Sie darauf bedacht, beim Auftanken kein Benzin zu verschütten. Benzindämpfe oder verschüttetes Benzin könnte sich entflammen. Falls Benzin verschüttet wurde, vergewissern Sie sich, dass der Bereich trocken ist, bevor Sie den Motor starten.
9. Lassen Sie den Motor nie in einem geschlossenen oder engen Bereich laufen. Abgase enthalten giftige Kohlenmonoxidgase; diesen ausgesetzt läuft man Gefahr das Bewusstsein zu verlieren und es kann sogar zu Tod führen.
10. Der Auspuff wird während des Laufens des Motors sehr heiss und bleibt nach abstellen des Motors noch für eine Weile heiss. Seien Sie darauf bedacht, den Auspuff nicht zu berühren, solange er noch heiss ist. Um schwere Verbrennungen oder Feuergefahr zu vermeiden, lassen Sie den Motor abkühlen, bevor Sie ihn transportieren oder in einem Innenraum aufbewahren.
11. Verschiffen oder transportieren Sie die Sprühanlage niemals mit Benzin im Tank.



Benutzen Sie diese Anlage NICHT um Wasser oder Säuren zu spritzen.



Achtung

Beim Auf- oder Abladen, nicht an der Deichsel halten.

Gerät ist sehr schwer. Muss von drei Personen getragen werden.

1.4 Betanken (Benzinmotor)



Benzin ist äusserst entflammbar und unter bestimmten Bedingungen sogar explosiv.

Technische Angaben zum Treibstoff

- Verwenden Sie Benzin mit einer Mindest-Oktananzahl von 86 oder mit einer Mindest-Research-Oktananzahl von 91. Die Verwendung eines Treibstoffes mit einer geringeren Oktananzahl kann zu ständigem "Motorklopfen" oder starkem "Klopfen" (ein metallisches klopfendes Geräusch) führen, das zu einem Motorschaden führen kann, wenn dieser zu stark ist.



Wechseln Sie die Treibstoffmarke, wenn das "Klopfen" oder "Motorklopfen" bei einer stetigen Motorgeschwindigkeit unter normaler Belastung auftritt. Bleibt das Klopfen bzw. Motorklopfen, setzen Sie sich mit einem autorisierten Händler des Motorherstellers in Verbindung. Bei Nichteinhaltung gilt dies als Fehlgebrauch und Schäden durch Fehlgebrauch sind nicht durch die Herstellergarantie gedeckt.

Gelegentlich entsteht ein leichtes Klopfen, wenn das Gerät stark belastet wird. Das ist kein Grund zur Beunruhigung. Dies bedeutet nur, dass der Motor effizient funktioniert.

- Bleifreier Treibstoff verursacht weniger Ablagerungen im Motor und in den Zündkerzen und verlängert die Lebensdauer der Komponenten des Abgassystems.
- Verwenden Sie niemals abgestandenes oder verschmutztes Benzin und/oder ein Öl-/Benzingemisch. Vermeiden Sie, dass Schmutz, Staub oder Wasser in den Treibstofftank gelangen.

Kraftstoff aus Benzin-Alkohol-Gemisch

Wenn Sie sich für einen Kraftstoff aus einem Benzin-Alkohol-Gemisch (Gasohol) entscheiden, müssen Sie darauf achten, dass dessen Oktananzahl mindestens so hoch ist, wie diese vom Motorenhersteller empfohlen wird. Es gibt zwei Arten von Benzin-Alkohol-Gemisch: die eine enthält Ethanol und die andere Methanol. Verwenden Sie kein Gasohol, das mehr als 10 % Ethanol enthält. Verwenden Sie kein Benzin-Methanol-Gemisch (Methyl oder Holzalkohol), das keine Zusatzlösungsmittel und Korrosionshemmstoffe für Methanol enthält. Verwenden Sie niemals Benzin, das mehr als 5 % Methanol enthält, auch dann nicht, wenn es Zusatzlösungsmittel und Korrosionshemmstoffe enthält.



Eine Beschädigung des Treibstoffsystems bzw. Probleme mit der Motorenleistung, die aus der Verwendung von Treibstoff resultieren, der Alkohol enthält, werden von der Gewährleistung nicht gedeckt. Der Motorenhersteller kann nicht die Verwendung von Treibstoffen befürworten, die Methanol enthalten, das es noch nicht als erwiesen gilt, dass sich diese hierfür eignen.

Versuchen Sie herauszufinden, ob das Benzin Alkohol enthält, bevor Sie Benzin von einer Ihnen unbekanntem Tankstelle beschaffen. Falls dieses Alkohol enthält, überprüfen Sie die Art und den Anteil des verwendeten Alkohols. Stellen Sie bei der Verwendung von alkoholhaltigem Benzin bzw. von dem Sie annehmen, dass es Alkohol enthält, unerwünschtes Betriebsverhalten fest, stellen Sie auf ein Benzin um, von dem Sie wissen, dass es kein Alkohol enthält.

2. Anwendungsübersicht

2.1 Einsatzgebiete

Der Airless Straßenmarkiergerät ist ein Präzisionswerkzeug, das zum Besprühen zahlreicher Materialien für viele Anwendungen einschließlich Parklücken, Kurven und Sportfelder genutzt wird. Lesen und befolgen Sie diese Anweisungen bezüglich des Betriebs, der Wartung und der Sicherheit sorgfältig.

2.2 Beschichtungsstoffe

Verarbeitbare Beschichtungsstoffe



Achten Sie auf Airless-Qualität bei den zu verarbeitenden Beschichtungsstoffen.

Latexfarben, Dispersionsfarben, Flammschutz- und Dickschichtmaterialien, Zinkstaub- und Eisenglimmerfarben, Airless-Spritzspachtel, spritzbare Kleber, Korrosionsschutz, Dickschichtmaterialien und bitumenähnliche Beschichtungsstoffe.

Die Verarbeitung anderer Beschichtungsstoffe ist nur mit Zustimmung der Firma Titan zulässig.

Filterung

Trotz Hochdruckfilter ist eine Filterung des Beschichtungsstoffes im allgemeinen zu empfehlen.

Beschichtungsstoff vor Arbeitsbeginn gut umrühren.



Achtung: Beim Aufrühren mit motorgetriebenen Rührwerken darauf achten, dass keine Luftblasen eingerührt werden. Luftblasen stören beim Spritzen, können sogar zur Betriebsunterbrechung führen.

Viskosität

Mit den Geräten ist es möglich, hochviskose Beschichtungsstoffe zu verarbeiten.

Lassen sich hochviskose Beschichtungsstoffe nicht ansaugen, so ist nach Herstellerangabe zu verdünnen.

Zweikomponenten-Beschichtungsstoff

Die entsprechende Verarbeitungszeit ist genau einzuhalten. Die Montagedauer wird auf mindestens 45 Minuten festgelegt. Innerhalb dieser Zeit das Gerät sorgfältig mit dem entsprechenden Reinigungsmittel durchspülen und reinigen.

Beschichtungsstoffe mit scharfkantigen Zusatzstoffen

Diese üben auf Ventile, Hochdruckschlauch, Spritzpistole und Düse eine stark verschleißende Wirkung aus. Die Lebensdauer dieser Teile kann sich dadurch erheblich verkürzen.

3. Gerätebeschreibung

3.1 Airless Verfahren

Hauptanwendungsgebiete sind dicke Schichten von höherviskosem Beschichtungsstoff bei großen Flächen und hohem Materialeinsatz.

Eine Kolbenpumpe saugt den Beschichtungsstoff an und fördert ihn unter Druck zur Düse. Bei einem Druck bis max. 227 bar (22,7 MPa) durch die Düse gepresst, zerstäubt der Beschichtungsstoff. Dieser hohe Druck bewirkt eine mikrofeine Zerstäubung des Beschichtungsstoffes.

Da in diesem System keine Luft verwendet wird, bezeichnet man dieses Verfahren als AIRLESS-Verfahren (luftlos).

Diese Art zu spritzen bringt die Vorteile von feinsten Zerstäubung, nebelarmer Betriebsweise und glatter, blasenfreier Oberfläche. Neben diesen Vorteilen sind die Arbeitsgeschwindigkeit und die große Handlichkeit zu nennen.

3.2 Funktion des Gerätes

Zum besseren Verständnis der Funktion kurz den technischen Aufbau.

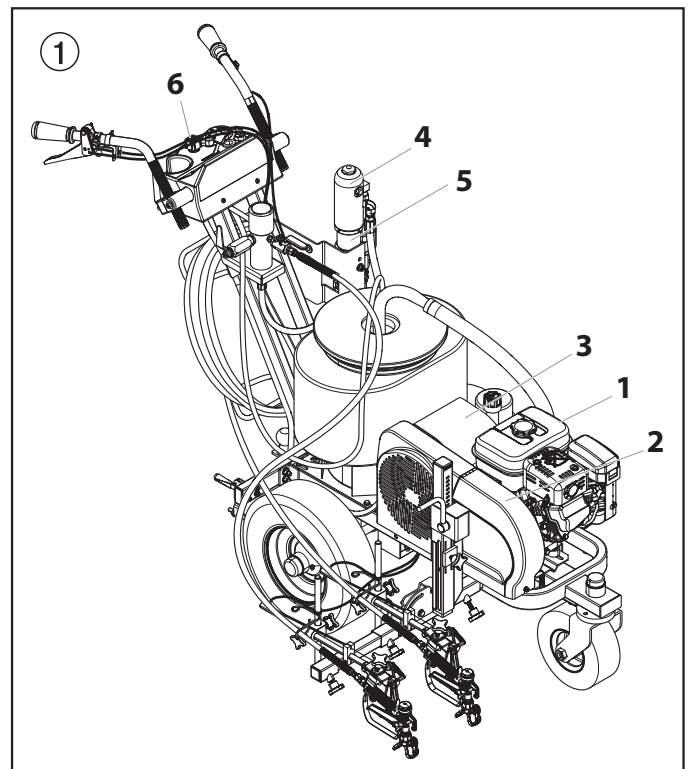
TITAN PowrLiner (PL) sind mit Benzinmotor oder Elektromotor angetriebene Hochdruckspritzgeräte.

Der Benzinmotor oder Elektromotor (Abb. 1, Pos. 1) treibt über den Keilriemen unter der Riemenabdeckung (2) die Hydraulikpumpe (3) an. Hydrauliköl fließt zum Hydraulikmotor (4) und bewegt dann den Kolben in der Materialförderpumpe (5) auf und ab.

Durch die Aufwärtsbewegung des Kolbens öffnet das Einlassventil selbstständig. Bei der Abwärtsbewegung des Kolbens öffnet das Auslassventil.



Der Beschichtungsstoff strömt unter hohem Druck durch den Hochdruckschlauch zur Spritzpistole. Bei Austritt aus der Düse zerstäubt der Beschichtungsstoff.

Das Druckregelventil (6) regelt die Fördermenge und den Betriebsdruck des Beschichtungsstoffes.

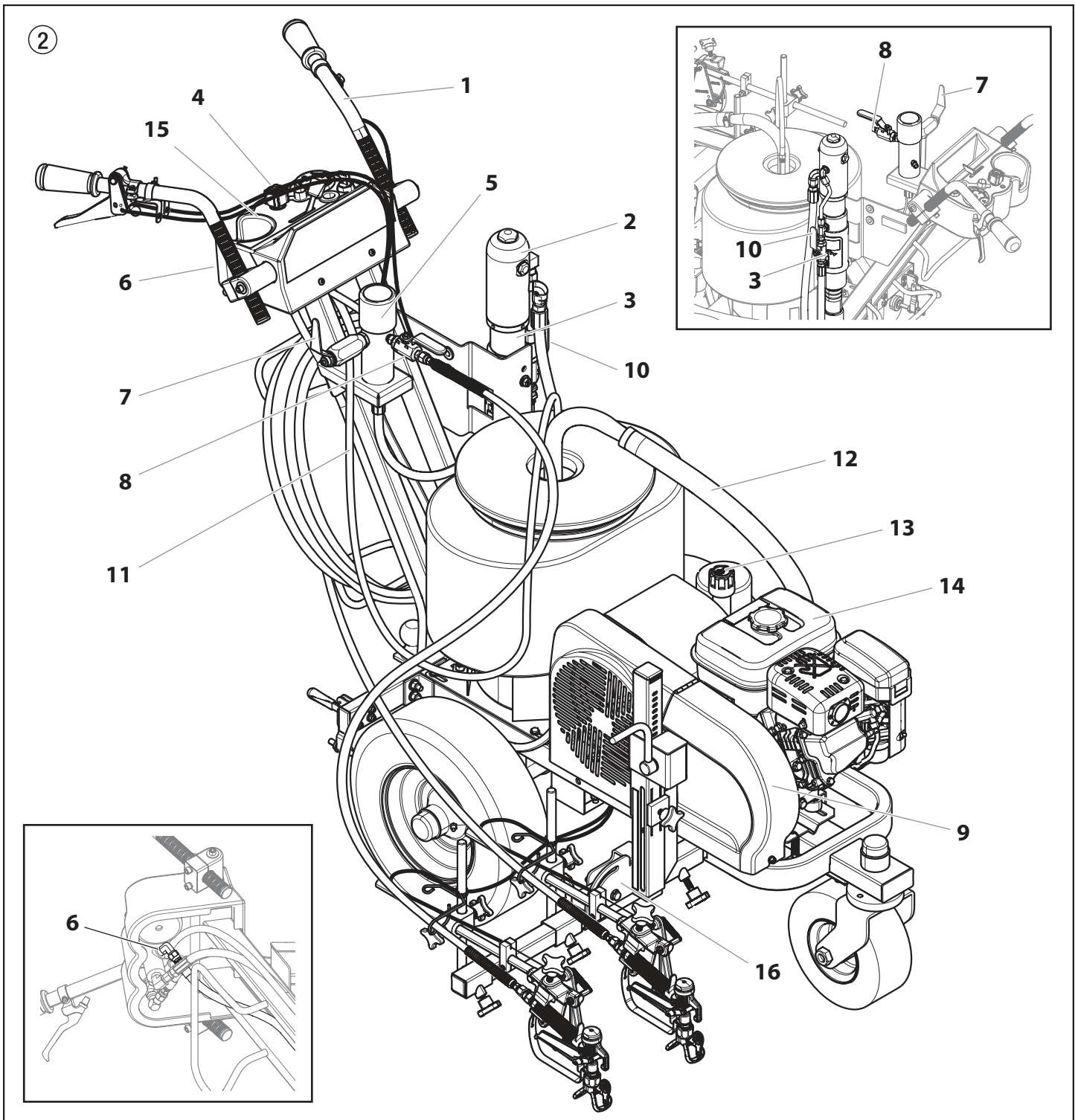


3.3 Erklärungsbild PL-Geräte mit Benzinmotor

- 1 Einstellbarer Griff (2)
- 2 Hydraulikmotor
- 3 Einfüllöffnung für Piston Lube (Piston Lube verhindert erhöhten Verschleiß der Packungen)
- 4 Druckregulierknopf
- 5 Hochdruckfilter
- 6 Hochdruckschlauchauslass (erste Pistole)
- 7 Entlastungsventilhandgriff

Nach links drehen Zirkulation 
 Nach rechts drehen Spritzen 

- 8 Hochdruckschlauchauslass (zweite Pistole)
- 9 Keilriemen unter der Riemenabdeckung
- 10 Kugelhahn: Hebelstellung waagrecht – Hydraulikmotor ausgeschaltet
Hebelstellung senkrecht – Hydraulikmotor eingeschaltet
- 11 Rücklaufschlauch
- 12 Ansaugschlauch
- 13 Ölmesstab
- 14 Benzinmotor
- 15 PowrCenter™
- 16 SmartArm™



3.4 Technische Daten PL-Geräte

| | PL4955 | PL6955 | PL8955 |
|--|---|---|---|
| Benzinmotor, Leistung | | | |
| | 118cc, 3,5 Hp | 163cc, 4,8 Hp (Elektroanlasser) | 196cc, 5,5 Hp (Elektroanlasser) |
| Tankinhalt | | | |
| | 2,0 l | 3,1 l | 3,1 l |
| max. Betriebsdruck | | | |
| | 22,7 MPa (227 bar, 3300 PSI) | 22,7 MPa (227 bar, 3300 PSI) | 22,7 MPa (227 bar, 3300 PSI) |
| max. Schalldruckpegel | | | |
| | 92 dB (A)* | 92 dB (A)* | 98 dB (A)* |
| max. Düsengröße mit einer Spritzpistole | | | |
| 1-Spritzpistole | 0,034" – 0,86 mm | 0,050" – 1,27 mm | 0,054" – 1,37 mm |
| 2-Spritzpistole | 0,024" – 0,61 mm | 0,033" – 0,84 mm | 0,038" – 0,96 mm |
| max. Volumenstrom | | | |
| | 4,7 l/min | 8,5 l/min | 9,5 l/min |
| Gewicht | | | |
| | 147 kg | 151 kg | 154 kg |
| max. Viskosität | | | |
| | 50.000 mPa·s | 50.000 mPa·s | 65.000 mPa·s |
| Abmessungen L x H x B | | | |
| | 183 cm x 107 cm x 107 cm | 183 cm x 107 cm x 107 cm | 183 cm x 107 cm x 112 cm |
| max. Temperatur des Beschichtungsstoffs | | | |
| | 43° C | 43° C | 43° C |
| Filtereinsatz (Standardausführung) | | | |
| | Filterfeinheit 50, 18 in ² | Filterfeinheit 50, 18 in ² | Filterfeinheit 50, 18 in ² |
| Hydrauliköl-Füllmenge | | | |
| | 5,9 l (1,56 gal) CoolFlo | 5,9 l (1,56 gal) CoolFlo | 5,9 l (1,56 gal) CoolFlo |
| max. Reifendruck | | | |
| | 0,2 MPa (2 bar, 30 PSI) | 0,2 MPa (2 bar, 30 PSI) | 0,2 MPa (2 bar, 30 PSI) |
| Spezial-Hochdruckschlauch | | | |
| | DN 6 mm, 15 m, Anschlussgewinde NPSM 1/4 | DN 6 mm, 15 m, Anschlussgewinde NPSM 1/4 | DN 6 mm, 15 m, Anschlussgewinde NPSM 1/4 |

* Messort: Abstand 1 m seitlich vom Gerät und 1,60 m über schallhartem Boden, 12 MPa (120 bar) Betriebsdruck.

4. Bedienung



Diese Komponente produziert einen Flüssigkeitsstrom bei extrem hohem Druck. Lesen und verstehen Sie die Hinweise im Abschnitt über die Sicherheitsvorkehrungen am Anfang dieses Handbuchs, bevor Sie dieses Gerät benutzen.

4.1 Aufladen der Batterie (PL6955 / PL8955)

Aufgrund von Versandbestimmungen wurde die Batterie in Ihrem PowrLiner ungeladen versandt. Vor der Benutzung des PowrLiner muss die Batterie mit Elektrolyt (Säure) aufgefüllt und dann aufgeladen werden. Befolgen Sie hierfür die unten genannten Anweisungen.



Batterieelektrolyt erhalten Sie bei Eisenwaren- oder Autozubehörhändler.



Batterieelektrolyt ist sehr gefährlich. Beachten Sie unbedingt alle Vorsichtsmaßnahmen und Warnhinweise auf dem Elektrolyt-Behälter.

Eigenschaften des Elektrolyts

Kaufen Sie für kühle und klimatisch gemäßigte Klimabedingungen Elektrolyt mit einer Dichte von 1.270 - 1.280.

Bei tropischen Klimabedingungen benötigen Sie Elektrolyt mit einer Dichte von 1.250 - 1.260.

Auffüllen der Batterie

1. Entnehmen Sie die Batterie aus dem Wagen.
 - a. Entfernen Sie den 12-Gallonen-Trichter vom Wagen.
 - b. Lösen und entfernen Sie die vier (4) Schrauben und Unterlegscheiben, die die Trichterplatte am Wagen befestigen. Die Oberseite der Batterie sollte nun zugänglich sein.
2. Entfernen Sie die Gummidichtungskappe von der Abluftöffnung auf der Batterieseite.
3. Tauschen Sie die Gummidichtungskappe durch den Entlüftungsschlauch aus, der mitgeliefert wird (dieser befindet sich in einer Kunststoffüte zusammen mit der Bedienungsanleitung und weiteren Informationen).
4. Entfernen die sechs (6) gelben Füllkappen oben auf der Batterie.
5. Füllen Sie Elektrolyt in jede Einfüllöffnung (siehe oben "Spezifikationen Elektrolyt"). Befüllen Sie die Batterie bis zum obersten Füllstand, der auf dem Batteriegehäuse angegeben ist.



Achtung

Die Temperatur des Elektrolyten darf nicht unter 15° C bzw. über 30° C liegen.

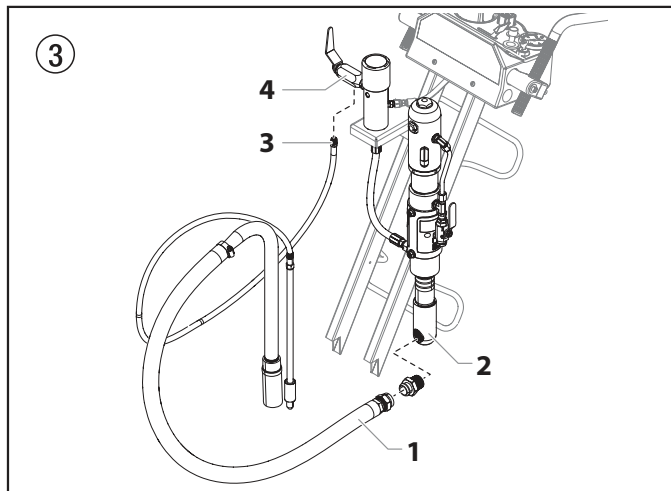
6. Lassen Sie die Batterie mindestens 30 Minuten nach dem Befüllen stehen.
7. Überprüfen Sie nach 30 Minuten den Elektrolytstand. Ist der Stand gefallen, vor dem Laden noch einmal bis zur obersten Markierung auffüllen.
8. Gelbe Füllkappen wieder einsetzen.
9. Trichterplatte wieder auf den Wagen zurücksetzen und mit den vier (4) Schrauben und Unterlegscheiben sichern.

Aufladen der Batterie

1. Batterie 3 bis 5 Stunden lang über eine Stromquelle mit 1/10-ten ihrer Nennkapazität aufladen.
 - a. Fällt der Elektrolytstand nach dem Aufladen, diese bis zur oberen Markierung mit destilliertem Wasser auffüllen.
 - b. Nach dem Hinzufügen des Wassers weitere 1 bis 2 Stunden laden, um das Wasser mit dem Elektrolyt zu mischen.
2. Nach dem Aufladen, Batteriespannung drei Mal in 30-minütigen Abständen überprüfen. Achten Sie darauf, dass die Spannung bei den drei Prüfungen konstant ist.
3. Tauschen Sie (bei Bedarf) die Füllkappen aus und wischen verschüttetes Elektrolyt mit sauberem Wasser ab.

4.2 Einrichtung

1. Vergewissern Sie sich, dass der Ansaugschlauch (Abb. 3, Pos. 1) an die Flüssigkeitsbereich (2) angeschlossen ist und dass der Ablassschlauch (3) an das Ablassventil (4) angeschlossen ist.



2. Installieren Sie die Pistolen-Stützstange.

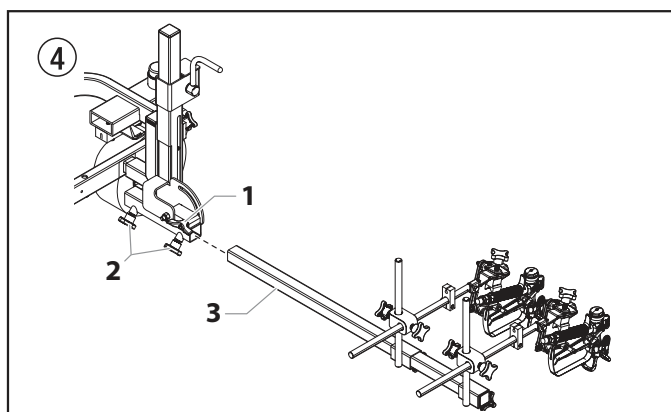


Die Spritzpistole, der Schlauch und die Kabel wurden in der Fabrik an die Stützstange montiert.

- a. Rändelschraube der Kippvorrichtung (Abb. 4, Pos. 1) lösen und Haltevorrichtung der Pistole absenken.
- b. Lösen Sie die Stützstangenklammern (2) an jeder Seite des Wagens.
- c. Schieben Sie die Pistolen-Stützstange (3) durch den Wagen.
- d. Spannen Sie die Stützstangenklammern (2) an, um die Pistolen-Stützstange in der richtigen Position zu sichern.



Die Haltevorrichtung muss weiter unten sein, als der Wagenrahmen, damit diese durch den Wagen rutschen kann.



Die Pistolen-Stützstange und die Spritzpistole(n) können auf beiden Seiten der Sprühanlage befestigt werden.

3. Positionieren Sie die erste Spritzdüse.
 - a. Das Auslöskabel von der Spannkammer lösen.



Achtung

Das Auslöskabel immer von der Spannkammer lösen, bevor Sie Aenderungen an der Positionseinstellung der Spritzpistolen vornehmen.

- b. Lösen Sie die Klammern der Stützstange und lassen Sie die Pistolenstützstange in die gewünschte horizontale Position gleiten.

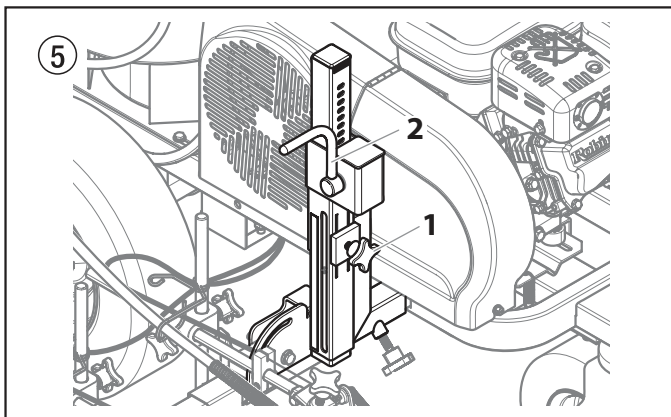
- c. Lösen Sie die Klammer des Pistolensteigers und lassen die Spritzpistole in die gewünschte vertikale Position gleiten.

i Die Höhe der Spritzpistole beeinflusst die Weite des Sprühmusters (d.h., je tiefer die Pistole, desto enger die Weite). Die Düsendröße beeinträchtigt die Linienweite ebenfalls.

4. Schritte 3a bis 3c für die zweite Spritzpistole wiederholen.

i Es empfiehlt sich als Ausgangspunkt, beide Spritzpistolen auf der gleichen Höhe anzubringen. Die Höhe der Pistolen kann je nach Spritzanforderungen individuell angepasst werden (z. B. Spritzen einer Kante bzw. Spritzen von zwei unterschiedlichen Breiten).

5. Sobald beide Pistolen montiert wurden, kann ihre vertikale Position gleichzeitig angepasst werden.
- Drehknopf der vertikalen Trageschelle (Abb. 5, Pos. 1) am Steiger lösen.
 - Kurbel (2) drehen, um die Gesamthöhe der Spritzpistolen einzustellen.
 - Vertikale Trageschelle (1) wieder festziehen, sobald die gewünschte Höhe eingestellt wurde (1).



6. Stellen Sie den Abzugwählschalter auf die richtige Spritzpistolenbedienung ein (Abb. 6). Die rechte Lenkstange löst die Pistole oder die Pistolen aus. Der Wählschalter am Abzug muss für die erste Pistole, beide Pistolen oder die zweite Pistole eingestellt werden.

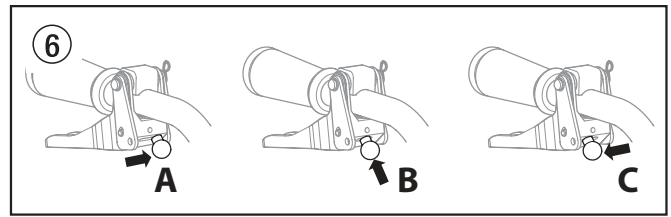


Achtung

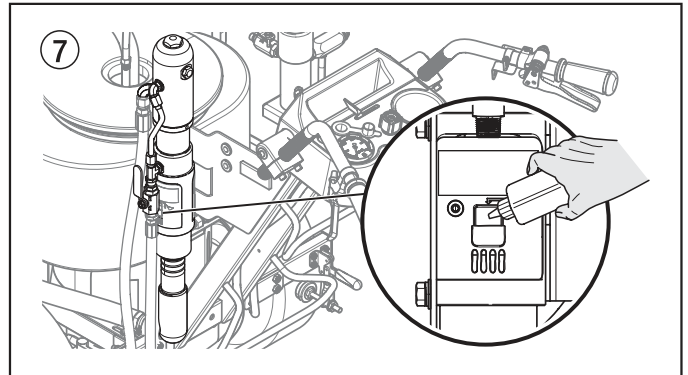
Bevor Sie am Abzug Wählschalter eine Einstellung verändern, muss der Abzugsverschluss an der Spritzpistole immer auf die geschlossene Position gestellt werden. Das Abzugskabel muss auch vom Anschlag freigegeben werden, indem das Kabel über und aus dem Anschlag herausgehoben wird. Während dem Freigeben des Abzugskabels wird die Spritzpistole kurz ausgelöst.

i Besprühen Sie die Schläuche mit trockenem Grafitfett, wenn bei der Hebe-/Schwenkbaugruppe während des Betriebs eine übermäßige Reibung entsteht.

- Erste Pistole** — Die Position der ersten Pistole wird mit dem Wahlhebel auf der linken Position gewählt. Drücken Sie den Hebel nach gegen die Innenseite des Rahmens bis der Stift in die linke Platte einrastet.
- Beide Pistolen** — Die Position für Doppelpistolen wird mit dem Wahlhebel auf der mittleren Position gewählt. Drücken Sie den Hebel gegen die mittlere Position bis der Stift in beide Platten einrastet. Der Stift muss in beide Platten einrasten.
- Zweite Pistole** — Die Position für die zweite Pistole wird mit dem Wahlhebel in der rechten Position gewählt. Drücken Sie den Hebel von der Innenseite des Rahmens weg bis der Stift in der rechten Platte einrastet.



7. Die Ölschale zur Hälfte mit Piston Lube (Bestell-Nr. 314-480) füllen. Dadurch verlängert sich die Nutzungsdauer der Packungsdichtung.



Achtung

Piston Lube verhindert erhöhten Verschleiß der Packungen.

8. Die Stand der Hydraulikflüssigkeit täglich vor Inbetriebnahme des Spritzgeräts überprüfen. Der Stand der Hydraulikflüssigkeit sollte am Messstab an der Markierung „Full“ (Voll) stehen.



Achtung

Für die Hydraulikanlage das von Titan Coolflo zugelassene Hydraulikfluid (Bestell-Nr. 430-361) verwenden. Keine anderen Hydraulikflüssigkeiten verwenden. Bei Verwendung anderer Hydraulikflüssigkeiten kann die Hydraulikanlage schwere Schäden erleiden, und die Garantie erlischt.

9. Benzinmotor - Den Motorölstand täglich vor Inbetriebnahme des Spritzgeräts kontrollieren. Der Ölstand im Benzinmotor wird vom Motorhersteller festgelegt. Weitere Informationen finden Sie in der Bedienanleitung des Motorherstellers, die mit diesem Spritzgerät geliefert wurde.
10. Verwenden Sie bei elektrischen Modellen einen 20 Amper Stromanschluss. Das elektrische Modell muss stets in einer Entfernung von 3 bis 4,5 m zum Stromanschluss stehen. Verwenden Sie ein kurzes Stromkabel und einen langen Farbschlauch. Verlängerungskabel verursachen einen Spannungsabfall. Wenn ein Verlängerungskabel erforderlich ist, darf nur ein geerdetes 3-drahtiges #12 Verlängerungskabel verwendet werden.



Achtung

Nur elektronische Modelle -Verwenden Sie keine Materialien mit einem Flammpunkt unter 38°C (100°F). Der Flammpunkt ist die Temperatur, bei der eine Flüssigkeit ausreichend Dämpfe entwickeln kann, dass sich diese entzünden.

11. Das Spritzgerät muss geerdet sein. Alle Spritzgeräte sind mit Erdungsketten ausgestattet. Die Ketten müssen ganz bis zum Boden gehen. Überprüfen Sie die vor Ort geltenden elektrotechnischen Vorschriften hinsichtlich Erdungsvorschriften.



Eine richtige Erdung ist sehr wichtig. Dies gilt sowohl für Benzin- als auch für elektrisch betriebene Geräte. Beim Transport bestimmter Medien durch den Nylonschlauch entsteht eine elektrostatische Aufladung, die bei einer Entladung Lösungsmitteldämpfe entzünden und eine Explosion verursachen könnte.

12. Alle Farben mit einem Nylonvorfilter filtern, um einen problemfreien Betrieb sicherzustellen und eine häufige Reinigung des Zulaufsiebs und des Spritzpistolenfilters zu vermeiden.
13. Der Arbeitsbereich muss gut belüftet sein, um den gefährlichen Betrieb mit flüchtigen Lösungsmitteln oder Abgasen zu vermeiden.

4.3 Vorbereitung eines neuen Spritzgeräts

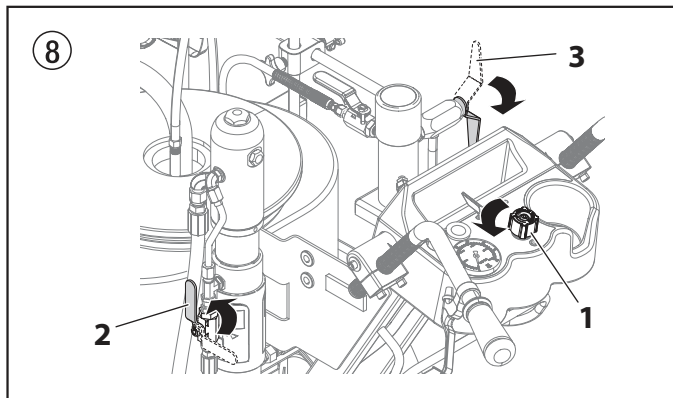
Ist das Spritzgerät neu, wird es mit Testflüssigkeit im Flüssigkeitsbehälter ausgeliefert, um eine Korrosion während der Lieferung und Lagerung zu vermeiden. Diese Testflüssigkeit muss mit Spiritus gründlich aus dem System entfernt werden, bevor mit den Spritzarbeiten begonnen wird.



Achtung

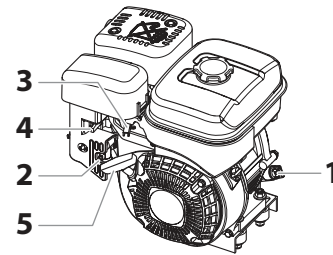
Den Auslöser der Spritzpistole stets verriegelt lassen, während das System auf die Inbetriebnahme vorbereitet wird.

1. Das den Ansaugschlauch in einen Behälter mit Spiritus hängen.
2. Den Ablassschlauch in einen Metallabfallbehälter hängen.
3. Den Druck auf Minimum einstellen. Dazu den Druckreglerknopf (Abb. 8, Pos. 1) ganz nach links drehen.
4. Das hydraulische Absperrventil (2) am Hydraulikdruckschlauch öffnen. Der Griff muss in die gleiche Richtung zeigen wie der Schlauch.
5. Das Ablassventil (3) ganz nach links drehen, um es zu öffnen.



6. Benzinmotor starten oder Elektromotor starten.
 - a. Start des Benzinmotors (Abb. 9):
 - Den Hebel für das Benzinventil (2) öffnen,
 - die Drosselklappe (3) auf Mitte einstellen,
 - und den Choke hebel (4) bei kaltem Motor in die geschlossene oder bei warmem Motor in die offene Stellung bringen.
 - Den Motorschalter (1) in die Stellung ON (Ein) drehen und ruckartig an der Anlasserleine (5) ziehen, bis der Motor anspringt bzw. drehen Sie den elektrischen Startschlüssel in Richtung "Start" und halten diesen, bis der Motor anspringt (nur PL6955/PL8955).
 - b. Schalten Sie den EIN/AUS-Knopf auf AN, um den elektrischen Motor zu starten.

9



7. Den Druckreglerknopf (Abb. 8, Pos. 1) etwa ein Drittel nach rechts drehen, um den Druck zu erhöhen, bis das Spritzgerät gleichmäßig arbeitet und aus dem Ablassschlauch Lösungsmittel austritt.
8. Das Spritzgerät 15–30 Sekunden laufen lassen, um die Testflüssigkeit aus dem Ablassschlauch zu spülen und in den Abfallbehälter zu entleeren.
9. Das Spritzgerät abschalten.
 - a. Zum Ausschalten des Benzinmotors
 - den Druck auf Minimum einstellen. Dazu den Druckreglerknopf ganz nach links drehen.
 - den Drosselklappenhebel in die Position für niedrige Drehzahl bringen und
 - den Motorschalter in die Stellung OFF (Aus) drehen.
 - b. Um den elektrischen Motor abzuschalten,
 - den Druck auf Minimum einstellen. Dazu den Druckreglerknopf ganz nach links drehen.
 - stellen Sie den EIN/AUS-Knopf auf AUS.

4.4 Vorbereitung der Farbe

Vor der Farbgebung muss kontrolliert werden, ob die Flüssigkeit in dem System kompatibel mit der Farbe ist, die verwendet werden soll.



Wenn Flüssigkeit und Farbe inkompatibel sind, können die Ventile verkleben, so dass der Flüssigkeitsbehälter des Spritzgeräts zerlegt und gereinigt werden muss.



Achtung

Den Auslöser der Spritzpistole stets verriegelt lassen, während das System auf die Inbetriebnahme vorbereitet wird.

1. Das den Ansaugschlauch in einen Behälter mit dem geeigneten Lösungsmittel hängen.



Bei Sprühen von wasserverdünnten Latexdispersionen mit warmem sauberem Wasser spülen. Bei Verarbeitung anderer Farben beim Hersteller der Farbe ein kompatibles Lösungsmittel erfragen.

2. Den Ablassschlauch in einen Metallabfallbehälter hängen.
3. Den Druck auf Minimum einstellen (Abb. 8, Pos. 1). Dazu den Druckreglerknopf ganz nach links drehen.
4. Das hydraulische Absperrventil (2) am Hydraulikdruckschlauch öffnen. Der Griff muss in die gleiche Richtung zeigen wie der Schlauch.
5. Das Ablassventil ganz nach links drehen, um es zu öffnen.
6. Benzinmotor starten oder Elektromotor starten.
 - a. Start des Benzinmotors (Abb. 9):
 - Den Hebel für das Benzinventil (2) öffnen,
 - die Drosselklappe (3) auf Mitte einstellen,
 - und den Choke hebel (4) bei kaltem Motor in die geschlossene oder bei warmem Motor in die offene Stellung bringen.
 - Den Motorschalter (1) in die Stellung ON (Ein) drehen und ruckartig an der Anlasserleine (5) ziehen, bis der Motor anspringt bzw. drehen Sie den elektrischen Startschlüssel in

- Richtung "Start" und halten diesen, bis der Motor anspringt (nur PL6955/PL8955).
- b. Schalten Sie den EIN/AUS-Knopf auf AN, um den elektrischen Motor zu starten.
7. Den Druckreglerknopf (Abb. 8, Pos. 1) etwa ein Drittel nach rechts drehen, um den Druck zu erhöhen, bis das Spritzgerät gleichmäßig arbeitet und aus dem Ablassschlauch Lösungsmittel austritt.
 8. Das Spritzgerät 15–30 Sekunden laufen lassen, um die Testflüssigkeit aus dem Ablassschlauch zu spülen und in den Abfallbehälter zu entleeren.
 9. Das Spritzgerät abschalten.
 - a. Zum Ausschalten des Benzinmotors
 - den Druck auf Minimum einstellen. Dazu den Druckreglerknopf ganz nach links drehen.
 - den Drosselklappenhebel in die Position für niedrige Drehzahl bringen und
 - den Motorschalter in die Stellung OFF (Aus) drehen.
 - b. Um den elektrischen Motor abzuschalten,
 - den Druck auf Minimum einstellen. Dazu den Druckreglerknopf ganz nach links drehen.
 - stellen Sie den EIN/AUS-Knopf auf AUS.

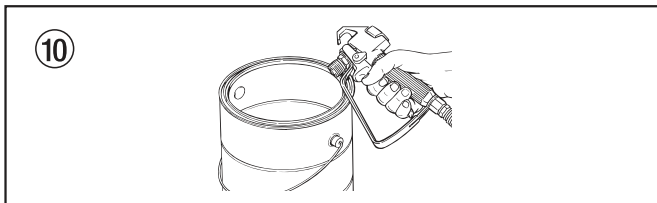


Die Spritzpistole darf noch nicht mit einem Düsenschutz oder einer Düse versehen sein.

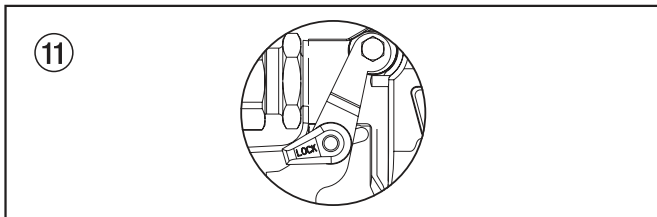
10. Schliessen Sie das Ablassventil, indem Sie es voll im Uhrzeigersinn drehen.
11. Benzinmotor starten oder Elektromotor starten.
12. Den Druckreglerknopf etwa ein Drittel nach rechts drehen, um den Druck zu erhöhen.
13. Die Spritzpistole entriegeln. Dazu die Verriegelung des Spritzpistolenauslösers in die entriegelte Stellung bringen.



Die Spritzpistole gegen die Kante eines Metallbehälters drücken, um sie während der Spülung zu ertönen. Anderenfalls können sich elektrostatische Aufladungen bilden, die Brände verursachen können.



14. Die ausgelöste Spritzpistole in einen Metallabfallbehälter halten, bis das alte Lösungsmittel entfernt ist und frisches Lösungsmittel austritt.
15. Die Spritzpistole verriegeln. Dazu die Verriegelung des Spritzpistolenauslösers in die verriegelte Stellung bringen (Abb 11).



16. Die Spritzpistole nach unten halten und den Druck mit dem Druckreglerknopf vorsichtig durch Drehen nach rechts erhöhen.
17. Die gesamte Anlage auf Leckstellen kontrollieren. Werden Leckstellen festgestellt, die Schritte zur „Druckentlastung“, wie in dieser Bedienanleitung beschrieben, ausführen, bevor Schläuche oder Verschraubungen festgezogen werden.

18. Vor dem Wechsel von Lösungsmittel auf Farbe die in dieser Bedienanleitung beschriebenen Schritte zur „Druckentlastung“ (Section 4.6) ausführen.



Bei Außerbetriebnahme des Spritzgeräts die Schritte für die Druckentlastung genau einhalten. Dies gilt auch für die Einstellung von Teilen oder Wartungsarbeiten an Teilen der Spritzanlage, für die Reinigung oder den Wechsel von Sprühdüsen und für die Vorbereitung auf die Reinigung.

4.5 Farbgebung

1. Das den Ansaugschlauch in einen Farbbehälter hängen.
2. Den Ablassschlauch in einen Metallabfallbehälter hängen.
3. Den Druck auf Minimum einstellen (Abb. 8, Pos. 1). Dazu den Druckreglerknopf ganz nach links drehen.
4. Das hydraulische Absperrventil (2) am Hydraulikdruckschlauch öffnen. Der Griff muss in die gleiche Richtung zeigen wie der Schlauch.
5. Das Ablassventil (3) ganz nach links drehen, um es zu öffnen.
6. Benzinmotor starten oder Elektromotor starten.
 - a. Start des Benzinmotors (Abb. 9):
 - Den Hebel für das Benzinventil (2) öffnen,
 - die Drosselklappe (3) auf Mitte einstellen,
 - und den Choke hebel (4) bei kaltem Motor in die geschlossene oder bei warmem Motor in die offene Stellung bringen.
 - Den Motorschalter (1) in die Stellung ON (Ein) drehen und
 - ruckartig an der Anlasserleine (5) ziehen, bis der Motor anspringt bzw. drehen Sie den elektrischen Startschlüssel in Richtung "Start" und halten diesen, bis der Motor anspringt (nur PL6955/PL8955).
 - b. Schalten Sie den EIN/AUS-Knopf auf AN, um den elektrischen Motor zu starten.
7. Den Druckreglerknopf etwa ein Drittel nach rechts drehen, um den Druck zu erhöhen, bis das Spritzgerät gleichmäßig arbeitet und aus dem Ablassschlauch Farbe austritt.
8. Das Spritzgerät abschalten.
 - a. Zum Ausschalten des Benzinmotors
 - den Druck auf Minimum einstellen. Dazu den Druckreglerknopf ganz nach links drehen.
 - den Drosselklappenhebel in die Position für niedrige Drehzahl bringen und
 - den Motorschalter in die Stellung OFF (Aus) drehen.
 - b. Um den elektrischen Motor abzuschalten,
 - den Druck auf Minimum einstellen. Dazu den Druckreglerknopf ganz nach links drehen.
 - stellen Sie den EIN/AUS-Knopf auf AUS.
9. Den Ablassschlauch aus dem Abfallbehälter nehmen und in den Farbbehälter hängen.
10. Das Ablassventil ganz nach rechts drehen
11. Benzinmotor starten oder Elektromotor starten.
12. Den Druckreglerknopf etwa ein Drittel nach rechts drehen, um den Druck zu erhöhen.
13. Die Spritzpistole entriegeln. Dazu die Verriegelung des Spritzpistolenauslösers in die entriegelte Stellung bringen.



Die Spritzpistole gegen die Kante eines Metallbehälters drücken, um sie während der Spülung zu ertönen. Anderenfalls können sich elektrostatische Aufladungen bilden, die Brände verursachen können.

14. Die Spritzpistole in einen Metallabfallbehälter halten und betätigen, bis Lösungsmittel und Luft komplett aus dem Sprühschlauch entfernt sind und die Farbe aus der Spritzpistole austritt.
15. Die Spritzpistole verriegeln. Dazu die Verriegelung des Spritzpistolenauslösers in die verriegelte Stellung bringen (Abb 10).
16. Das Spritzgerät abschalten.

- Den Düsenschutz und die Düse an der Spritzpistole anbauen. Dabei die Hinweise in den Bedienanleitungen für Düsenschutz und Düse beachten.



GEFAHR EINER FLÜSSIGKEITSINJEKTION Keine Spritzarbeiten ohne den Düsenschutz durchführen. Den Auslöser der Spritzpistole nur betätigen, wenn der Düsenschutz entweder in der Spritzposition oder in der Position zur Düsenreinigung steht. Den Spritzpistolenauslöser immer verriegeln, bevor die Düse entfernt, ersetzt oder gereinigt wird.

- Benzinmotor starten oder Elektromotor starten.
- Den Druck durch langsames Drehen des Druckreglerknopfes nach rechts erhöhen und das Sprühmuster auf einem Stück Pappe kontrollieren. Den Druckreglerknopf so einstellen, dass die Spritzflüssigkeit vollkommen zerstäubt wird.



Wird der Druck höher eingestellt, als zur Zerstäubung der Farbe erforderlich ist, kommt es zu vorzeitigem Düsenverschleiß und zu einem Übersprühen.

4.6 Vorgehensweise bei Druckentlastung



Bei Außerbetriebnahme des Spritzgeräts die Schritte für die Druckentlastung genau einhalten. Dies gilt auch für die Einstellung von Teilen oder Wartungsarbeiten an Teilen der Spritzanlage, für die Reinigung oder den Wechsel von Sprühdüsen und für die Vorbereitung auf die Reinigung.

- Die Spritzpistole verriegeln. Dazu den Spritzpistolenabzug in die verriegelte Stellung bringen.
- Das Spritzgerät abschalten.
 - Zum Ausschalten des Benzinmotors
 - den Druck auf Minimum einstellen. Dazu den Druckreglerknopf ganz nach links drehen.
 - den Drosselklappenhebel in die Position für niedrige Drehzahl bringen und
 - den Motorschalter in die Stellung OFF (Aus) drehen.
 - Um den elektrischen Motor abzuschalten,
 - den Druck auf Minimum einstellen. Dazu den Druckreglerknopf ganz nach links drehen.
 - stellen Sie den EIN/AUS-Knopf auf AUS.
- Das hydraulische Absperrventil des Hydraulikschlauchs schließen.
- Die Spritzpistole entriegeln. Dazu die Verriegelung des Spritzpistolenauslösers in die entriegelte Stellung bringen.
- Das Metallteil der Spritzpistole fest auf die Seitenwand eines Metallabfallbehälters drücken, um die Spritzpistole zu erden und elektrostatische Aufladungen zu vermeiden.
- Den Auslöser der Spritzpistole drücken, um eventuell noch im Schlauch vorhandenen Druck abzubauen.
- Die Spritzpistole verriegeln. Dazu die Verriegelung des Spritzpistolenauslösers in die verriegelte Stellung bringen.
- Den Ablassschlauch in den Metallabfallbehälter hängen.
- Das Ablassventil ganz nach links drehen, um es zu öffnen.

4.7 Den Frontalsprüher bedienen

Der Frontalsprüher am Wagen ist so konzipiert, dass das Spritzgerät entweder einer geraden Linie folgt, oder freie Bewegung erlaubt. Wenn man hinter dem Spritzgerät steht, befindet sich der Auslöser zur Bedienung des Frontalsprühers an der linken Lenkstange.

- Um den Frontalsprüher in die Position "gerade Linie" einzurasten, drücken Sie den Spritzauslösehebel und bewegen das Spritzgerät nach vorne.
- Um freie Bewegung zu gestatten, drücken Sie den Spritzauslösehebel und halten ihn gedrückt.

4.8 Zusammenklappen der Haltevorrichtung der Spritzpistole

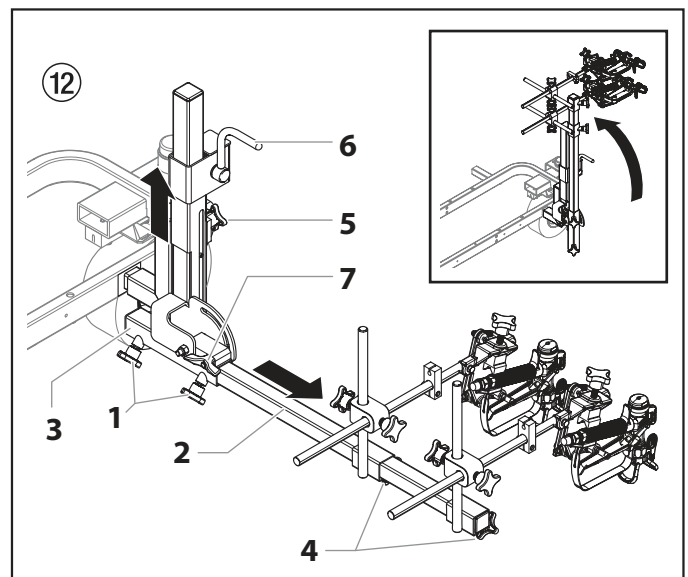
Die Haltevorrichtung der Spritzpistole kann vertikal angehoben werden, um das Spritzgerät für die Lagerung kleiner zu machen. Die Spritzpistolen bzw. die Spritzschläuche müssen nicht entfernt werden. Es ist wie folgt vorzugehen.

- Klammern der Haltevorrichtung (Abb. 12, Pos. 1) lösen. Haltevorrichtung (2) zusammen mit der Baugruppe Pistolenhalter und den Spritzpistolen soweit wie möglich vom Wagen ziehen, ohne diese ganz abzunehmen.



Die Haltevorrichtung muss vollständig in der Kipphülse (3) bleiben, sodass die Klammern der Haltevorrichtung wieder einrasten können.

- Klammern der Haltevorrichtung (1) festziehen. Beide Klammern müssen in der Haltevorrichtung (2) eingerastet sein.
- Klammern des Spritzpistolenhalters (4) lösen und beide Spritzpistolen so weit wie möglich an das Ende der Haltevorrichtung schieben.
- Vertikalen Knopf der Haltevorrichtung (5) auf dem Heber lösen. Hebel (6) drehen, sodass die ganze Baugruppe Haltevorrichtung so weit wie möglich angehoben wird. Vertikalen Knopf der Haltevorrichtung (5) wieder festziehen.



- Kippknopf (7) lösen. Haltevorrichtung vorsichtig in eine vertikale Position heben.



Achtung

Quetschgefahr. Halten Sie Ihre Finger unbedingt von sich bewegenden Teilen fern. Achten Sie darauf, dass keine Schläuche oder Kabel in sich bewegenden Teilen verfangen.

- Kippknopf (7) wieder festziehen.

5. Reinigung



Das Spritzgerät, der Schlauch und die Spritzpistole müssen jeden Tag gründlich gereinigt werden, Geschieht dies nicht, kann sich die Farbe absetzen und die Leistung des Gerätes erheblich beeinträchtigen.



Immer mit möglichst niedrigem Druck sprühen, wenn der Düsenschutz der Spritzpistole abgebaut ist und das Spritzgerät, der Schlauch oder die Spritzpistole mit Spiritus oder anderen Lösungsmittel gereinigt werden. Elektrostatische Aufladungen können zu Bränden oder Explosionen führen, wenn entzündliche Dämpfe vorhanden sind.

5.1 Besondere Reinigungshinweise bei Verwendung entflammbarer Lösungsmittel

- Die Spritzpistole stets im Freien und möglichst eine Schlauchlänge von der Sprühpumpe entfernt spülen.
- Werden die zur Spülung verwendeten Lösungsmittel in einem Metallbehälter von etwa 4 l Fassungsvermögen aufgefangen, diesen in einen Behälter mit einem Fassungsvermögen von etwa 20 l stellen und erst dann weiter spülen.
- Im Arbeitsbereich dürfen sich keine entzündlichen Dämpfe sammeln.
- Alle Reinigungshinweise beachten.

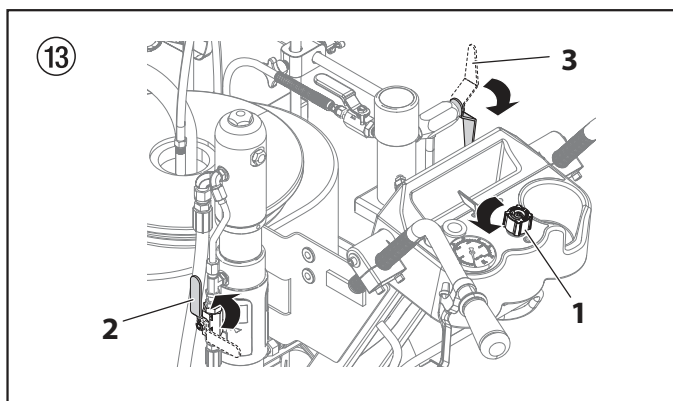
5.2 Reinigung des Spritzgeräts

1. Die in dieser Bedienanleitung im Abschnitt Betrieb beschriebenen Schritte zur „Druckentlastung“ ausführen (Abschnitt 4.6).
2. Düse und Düsenschutz abbauen und mit einem Pinsel und einem geeigneten Lösungsmittel reinigen.
3. Das den Syphonschlauch in einen Behälter mit dem geeigneten Lösungsmittel hängen.



Bei der Entfernung von Lackfarben auf Ölbasis, Lacken, Steinkohlenteer und Epoxidharzen nur kompatible Lösungsmittel verwenden. Lassen Sie sich vom Hersteller ein geeignetes Lösungsmittel empfehlen.

4. Den Ablassschlauch in einen Metallabfallbehälter hängen.
5. Den Druck auf Minimum einstellen. Dazu den Druckreglerknopf (Abb. 13, Pos. 1) ganz nach links drehen.
6. Das hydraulische Absperrventil (2) am Hydraulikdruckschlauch öffnen. Der Griff muss in die gleiche Richtung zeigen wie der Schlauch.
7. Das Ablassventil (3) ganz nach links drehen, um es zu öffnen.



8. Benzinmotor starten oder Elektromotor starten.
9. Das Lösungsmittel durch das Spritzgerät zirkulieren lassen und die Farbe über den Ablassschlauch in einen Metallabfallbehälter entleeren und spülen.
10. Das Spritzgerät abschalten.
11. Das Ablassventil ganz nach rechts drehen.
12. Benzinmotor starten oder Elektromotor starten.



Die Spritzpistole gegen die Kante eines Metallbehälters drücken, um sie während der Spülung zu erten. Anderenfalls können sich elektrostatische Aufladungen bilden, die Brände verursachen können.

13. Die ausgelöste Spritzpistole in den Metallabfallbehälter halten und betätigen, bis die Farbe aus dem Schlauch gespült ist und nur noch Lösungsmittel aus der Spritzpistole austritt.
14. Die ausgelöste Spritzpistole weiter in den Abfallbehälter halten, bis nur noch sauberes Lösungsmittel aus der Spritzpistole austritt.



Zur längeren Lagerung oder zur Lagerung bei kalter Witterung das gesamte System mit Spiritus füllen.

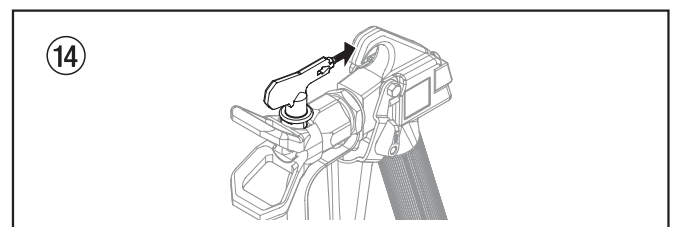
15. Vor dem Wechsel von Lösungsmittel auf Farbe die in dieser Bedienanleitung beschriebenen Schritte zur „Druckentlastung“ ausführen.
16. Das Sprühgerät an einem trockenen, sauberen Ort aufbewahren.



Das Spritzgerät nicht unter Druck lagern.

5.3 Eine verstopfte Düse reinigen

1. Befolgen Sie die Richtlinien zum „Druckentlastungsablauf“, wie im Abschnitt „Betrieb“ dieses Handbuchs beschrieben.
2. Wenn die Düse verstopft ist, rotieren Sie den Düsenhalter um 180° bis der Pfeil auf dem Halter in die gegengesetzte Richtung zur Spritzrichtung zeigt und der Halter in die umgekehrte Position einklinkt.



3. Lösen Sie die Spritzpistole einmal aus, so dass der Luftdruck die Verstopfung ausblasen kann. Lösen Sie die Spritzpistole in der umgekehrten Position NIEMALS mehr als EINMAL kurz aus. Diese Prozedur kann so oft wiederholt werden, bis die Düse nicht mehr verstopft ist.



Der Ausfluss aus der Spritzdüse geschieht unter hohem Druck. Kontakt zu einem Körperteil kann gefährlich sein. Keinen Finger an die Düse legen. Die Spritzpistole nie auf eine Person richten. Die Spritzpistole nie ohne die richtige Düsenschutzabdeckung bedienen.

6. Unterhalt



Bevor Sie fortfahren, befolgen Sie die Richtlinien zum Druckentlastungsablauf, wie vorherig in diesem Handbuch beschrieben. Dazu befolgen Sie alle anderen Warnungen, um das Risiko einer Injektionsverletzung, Verletzungen verursacht durch bewegende Teile oder Elektroschock zu vermeiden. Vor der Wartung, das Spritzgerät abstellen!

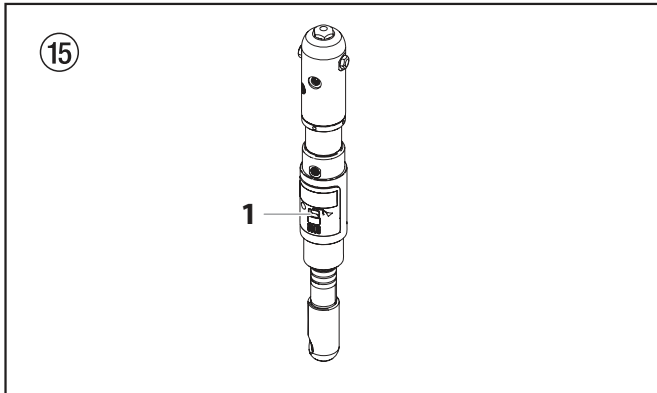
6.1 Tägliche Wartung

Für dieses Spritzgerät sind täglich zwei routinemässige Abläufe zum Unterhalt erforderlich:

- A. Die oberen Dichtungen einfetten.
- B. Den Steinfänger reinigen.

A) Die oberen Dichtungen einfetten

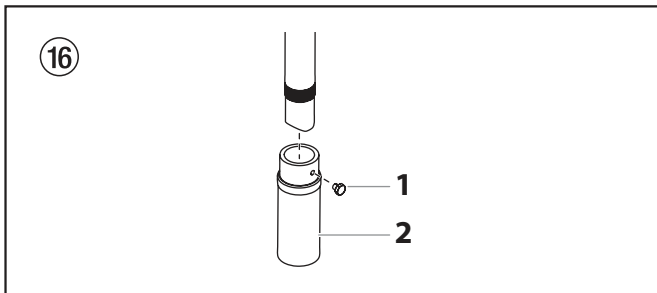
1. Die Farbe, welche über die Dichtungen herausgedrungen ist und in die Schmierbüchse (Abb. 15, Pos. 1) über dem Flüssigkeitsbereich gesickert ist reinigen.
2. Die Schmierbüchse zur Hälfte mit Piston Lube (P/N 314-480) welches von der Fabrik geliefert wird, auffüllen. Dies verlängert die Lebensdauer der Dichtungen.



Die Schmierbüchse nicht überfüllen, so dass kein Öl in die Farbe tropft.

B) Den Steinfänger reinigen

1. Der Steinfänger wird verstopft und muss mindestens einmal täglich gereinigt werden.
2. Die Mutter (Abb. 16, Pos. 1) mit welcher der Steinfänger am Ansaugschlauch befestigt ist lösen.
3. Den Steinfänger (2) vom unteren Teil des Ansaugschlauch entfernen.
4. Mit geeignetem Lösungsmittel gründlich reinigen.



6.2 Unterhalt des Filteraufbaus

Die Filter regelmässig reinigen. Verschmutzte oder verstopfte Filter können die Filtrierung behindern und eine Reihe von Systemprobleme, wie schwache Spritzmuster, verstopfte Spritzdüsen etc, auslösen.

Reinigung (Abb. 17)

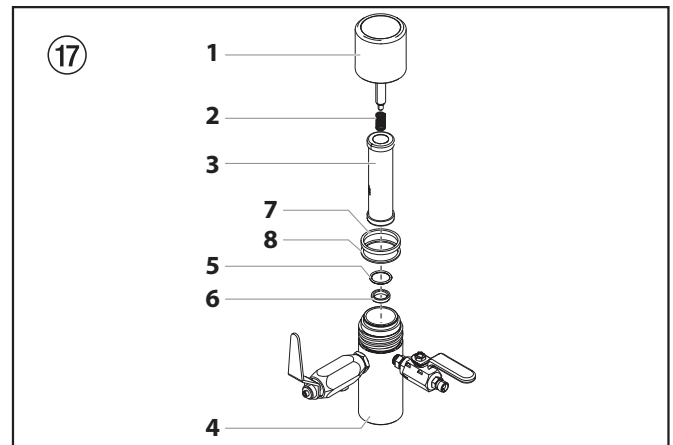
Zur Reinigung der Filter muss der folgende Ablauf befolgt werden.

1. Befolgen Sie die Richtlinien zum "Druckentlastungsablauf", wie im Abschnitt „Betrieb“ dieses Handbuchs beschrieben.
2. Den Filterdeckelaufbau (1) und die Feder (2) entfernen.
3. Den Filtereinsatz mit Ball (3) gerade aus dem Filtergehäuse (4) herausheben.
4. Die Innenseite des Filtergehäuses, den Filtereinsatz mit Ball und den Filterdeckelaufbau mit einem geeigneten Lösungsmittel reinigen.



Die Teile mit Sorgfalt behandeln, da die O-Ringe durch Schmutz, Ablagerungen, Kratzer und Kerben nicht richtig dichten könnten.

Dieser Filtereinsatz filtert von innen nach aussen. Deshalb muss der Filtereinsatz innen gründlich gereinigt werden. Den Filtereinsatz im Lösungsmittel einweichen um gehärtete Farbe zu lösen oder ersetzen.



Inspektion (Abb. 17)

Alle Teile des Filteraufbaus vor dem Wiedereinbau überprüfen.

1. Den Ball innerhalb des Filtereinsatzes überprüfen. Wenn der Ball Druckschnitte oder -kratzer aufweist muss der Filtereinsatz ersetzt werden.
 - a. Wenn der Ball Schnitte aufweist, den PTFE O-Ring (5) mit Hilfe eines O-Ring Hakens entfernen und den Karbidsitz (6) entfernen.
 - b. Den Sitz auf Kerben und Rillen überprüfen. Falls der Sitz beschädigt ist, muss sie ersetzt werden.



Das Entfernen des PTFE O-Rings wird den O-Ring beschädigen und macht den Ersatz dessen erforderlich.

2. Die Feder aus der Federführung (2) am Filterdeckel entfernen.
 - a. Die Länge der entspannten Feder messen. Misst die Feder weniger als 1.9 cm (3/4") von einem Ende zum anderen, muss sie ersetzt werden.
 - b. Die Feder in die Federführung zurückdrücken bis sie in die richtige Position einrastet.
3. Die zwei PTFE-dichtungen auf Deformierung, Kerben oder Schnitte überprüfen. Falls nötig ersetzen.



Die PTFE-dichtungen, der PTFE O-Ring und die Feder sind im Filter Service Satz P/N 930-050 verpackt.

Wiedereinbau (Abb. 17)

Nach der Reinigung und Ueberprüfung aller Teile den Filter wieder einbauen.

1. Den Karbidsitz (6) in das Filtergehäuse (4) einsetzen. Vergewissern Sie sich, dass die schräge Seite des Sitzes nach oben zeigt.
2. Den PTFE O-Ring (5) in die Rille am äusseren Durchmesser der Karbidsitz (6) anbringen.
3. Den Filtereinsatz mit Ball (3) in das Filtergehäuse (4) setzen.



Die untere und obere Seite des Filtereinsatzes mit Ball sind identisch.

4. Falls noch nicht getan, die Feder (2) in die Federführung im Filterdeckelaufbau (1) zurückdrücken, bis sie in der richtigen Position einrastet.
5. Die dünne PTFE-dichtung (8) auf den Absatz am oberen Ende des Filtergehäuses (4) legen.
6. Die dicke PTFE-dichtung (7) auf die dünne PTFE-dichtung (8) legen.
7. Den Filterdeckelaufbau (1) am Filtergehäuse (4) anziehen.

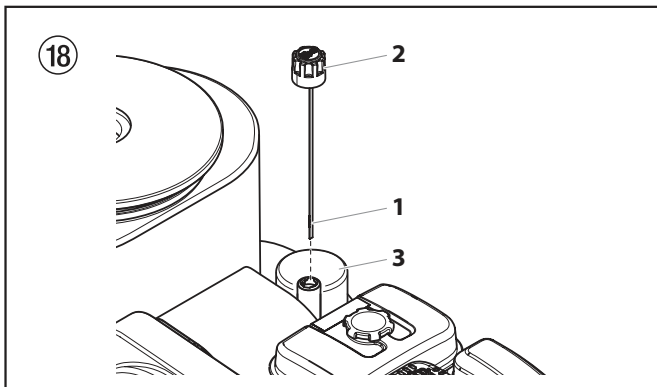
6.3 Unterhalt des hydraulischen Systems



Achtung

Die Benutzung von Titan Coolflo anerkannter Hydraulikflüssigkeit (P/N 430-361) für das hydraulische System ist obligatorisch. Benutzen Sie keine andere Hydraulikflüssigkeit. Benutzung einer anderen Hydraulikflüssigkeit kann das hydraulische System schwer beschädigen und führt zum Verlust der Garantie.

1. Die Hydraulikflüssigkeit täglich überprüfen. Sie soll die Markierung "voll" auf dem Messstab erreichen. Wenn der Flüssigkeitspegel tiefer liegt, nur mit von Titan Coolflo anerkannter Hydraulikflüssigkeit (P/N 430-361) auffüllen. Die Hydraulikflüssigkeit immer in einer sauberen, staubfreien Umgebung auffüllen oder ersetzen. Die Kontaminierung der Hydraulikflüssigkeit wird die Lebensdauer der hydraulischen Pumpe verkürzen und kann zum Verlust der Garantie führen.



2. Die Hydraulikflüssigkeit einmal alle 12 Monate wechseln. Die alte Flüssigkeit aus dem Tank auslaufen lassen und mit 6,25 Quart Hydraulikflüssigkeit auffüllen. Das Spritzgerät mit genügend Druck um die Flüssigkeitssektion zu bedienen, starten. Das Spritzgerät unter diesem tiefen Druck für mindestens 5 Minuten laufen lassen. Dies beseitigt die Luft im System. Den Flüssigkeitsstand nach diesem Ablauf überprüfen. Nicht überfüllen.



Wenn der Hydraulikfilter (3) während dem Flüssigkeitswechsel ersetzt wird, kann es sein, dass bis zu einer Quart zusätzlicher Hydraulikflüssigkeit hinzugefügt werden muss.

3. Das hydraulische System hat einen externen, ersetzbaren Hydraulikfilter (3). Den Filter einmal alle 12 Monate wechseln.
4. Die Hydraulikpumpe soll nicht im Aussendienst gewartet werden. Wenn Wartung an der Hydraulikpumpe nötig wird, muss sie an Titan zurückgesandt werden.

6.4 Unterhalt des Flüssigkeitsbereichs

Wenn das Spritzgerät für eine längere Zeit nicht in Gebrauch ist, wird empfohlen, dass nach der Reinigung eine Mischung aus Kerosin und Öl als Konservierungsmittel eingesetzt wird. Dichtungen können infolge Nichtgebrauch austrocknen. Dies trifft im Speziellen auf die oberen Dichtungen, für die im Normalgebrauch die Wartung mit Piston Lube (P/N 314-480) empfohlen ist.

Wenn das Spritzgerät für eine längere Zeit nicht in Gebrauch ist, kann es nötig werden, die Pumpe mit einem Lösungsmittel zu grundieren. Es ist enorm wichtig, dass die Gewinde der Syphonschlauchkoppelung richtig abgedichtet sind. Jegliches Luftleck wird ungleichmässige Bedienung des Spritzgerätes zur Folge haben und kann das System beschädigen. Die Aufwärts- und Abwärtsstriche sollten ungefähr gleich lang dauern (einer soll nicht schneller sein als der andere). Ein schneller Aufwärts- oder Abwärtsstrich kann darauf hinweisen, dass sich Luft im System befindet oder dass Ventile oder Sitze nicht richtig funktionieren (siehe „Fehlerbehebung“)

6.5 Einfacher Unterhalt des Motors (Benzinmotor)

- Für detaillierter Unterhalt und technische Spezifikationen verweisen wir Sie auf das separate Handbuch für Benzinmotoren.
- Alle Wartungen am Motor sollen von einem vom Motorenhersteller bevollmächtigten Händler durchgeführt werden.
- Benutzen Sie hochwertiges Motorenöl. Für den generellen Gebrauch in allen Temperaturen wird 10W30 empfohlen. Andere Klimaverhältnisse erfordern vielleicht andere Viskositäten.
- Verwenden Sie nur eine (NGK) BP6ES / BPR6E Zündkerze. Der Abstand in der Zündkerze sollte 0,028 bis 0,031 In. (0,7 bis 0,8 mm) betragen. Immer einen Zündkerzenschlüssel benutzen.

Täglich

1. Motorenölstand überprüfen und wenn nötig auffüllen.
2. Benzinstand überprüfen und wenn nötig auffüllen.



Zum Auftanken immer die Arbeitsschritte, die vorab in diesem Handbuch erklärt wurden ausführen.

Erste 20 Stunden

1. Motorenöl wechseln.

Alle 100 Stunden

1. Motorenöl wechseln.
2. Sedimentbecher reinigen.
3. Zündkerze reinigen und den Abstand wiederherstellen.
4. Funkenableiter reinigen.

Wöchentlich

1. Die Luftfilterabdeckung entfernen und das Element reinigen. In sehr staubiger Umgebung muss der Filter täglich überprüft werden. Das Element wenn nötig ersetzen. Ersatzelemente können beim örtlichen Händler für diesen Motorenhersteller erworben werden.

Bedienung und Wartung des Motors

1. Luftfiltermatte des Benzinmotors alle 25 Stunden oder einmal wöchentlich reinigen und ölen. Das Luftansaugsieb um das Schwungrad im Benzinmotor soll nicht mit Farbe oder Abfall aufgefüllt werden. Reinigen Sie es regelmässig. Die Lebensdauer und Arbeitsleistung des Benzinmotorenmodells beruht auf dem richtigen Betrieb des Benzinmotors. Das Öl alle 100 Stunden wechseln. Nichteinhaltung dessen kann zu Ueberhitzung des Motors führen. Beachten Sie das mitgelieferte Bedienungshandbuch des Herstellers.
2. Um Benzin zu sparen, Lebensdauer zu verlängern und die Leistung des Spritzgerätes zu bewahren soll der Benzinmotor immer auf der tiefstmöglichen Drehzahl laufen, auf der er gleichmässig und ohne Anstrengung läuft und die gewünschte Menge Farbe ausstösst, die für die jeweilige Malarbeit erforderlich ist. Höhere Drehzahlen erzeugen nicht höheren Arbeitsdruck. Der Benzinmotor ist mit der Hydraulikpumpe durch eine Seilrollenkombination

Unterhalt

verbunden, die dazu bestimmt ist, den vollen Farbausstoß bei maximaler Drehzahl zu liefern.

- Die Garantie für die Benzinmotoren ist auf den Originalhersteller beschränkt.

6.6 Auswechseln der Motorbürsten (optional 120 V elektrischer Motor, nur bei PL4955)

Der 120 V elektrische Convertokit ist separat erhältlich.



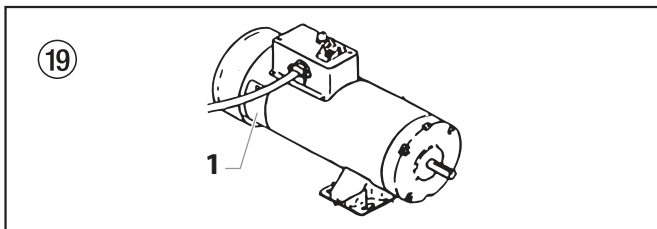
Wird eine 120V-Convertokit installiert, schnallen Sie die Vorderseite des PowrLiners fest, damit dieser nicht nach hinten kippen kann.

Führen Sie diesen Vorgang unter Verwendung des Motorbürsten-Kits P/N 978-050 durch. Der Kit besteht aus zwei Bürsten, zwei Federn und zwei Bügeln.

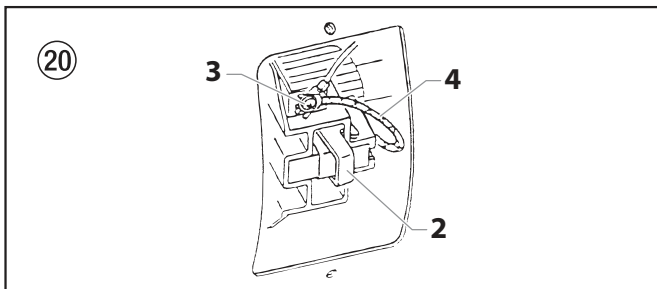


Die Bürsten sollten ausgetauscht werden, wenn diese verschlissen und weniger als 1,27 cm breit sind. Überprüfen und tauschen Sie beide Bürsten gleichzeitig aus.

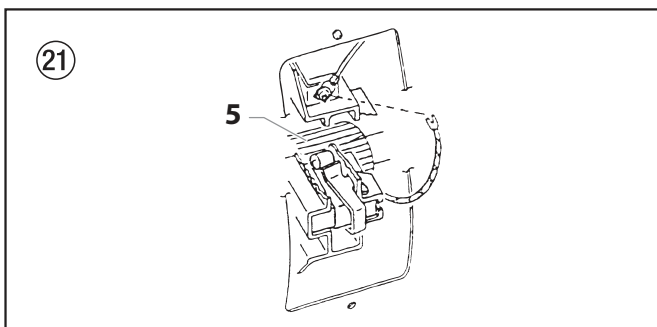
- Entfernen Sie beide Inspektionsabdeckungen (1) auf dem Motor.



- Drücken Sie die Klemmfeder (2) rein, um diese loszuhaken und ziehen Sie diese dann heraus.
- Lösen Sie die Anschlussschraube (3). Ziehen Sie die Bürstenführung (4) weg, lassen Sie jedoch die Motorleitung an seinem Platz. Entfernen Sie die Bürste und Feder.



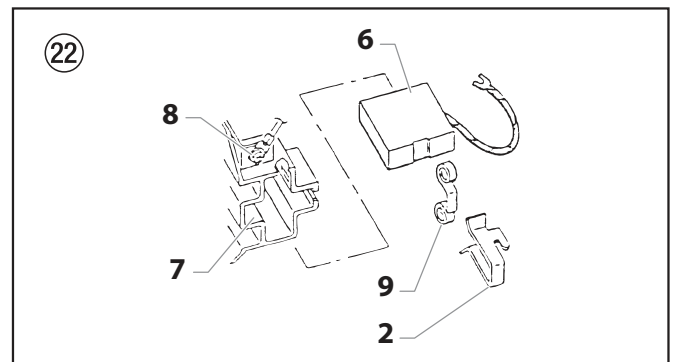
- Überprüfen Sie den Stromwender (5) auf Verbrennungen, extremen Lochfraß oder Rillen. Eine schwarze Färbung im Stromwender ist normal.



- Montieren Sie die neue Bürste (6), sodass deren Führungsschienen sich in der langen Rille des Bürstenhalters befinden (7). Drücken Sie die Anschlussschraube unter die Unterlegscheibe der Anschlussschraube (8). Achten Sie

darauf, dass die Motorführung immer noch mit der Schraube verbunden ist. Ziehen Sie die Schraube fest.

- Positionieren Sie die Feder (9) wie oben dargestellt auf die Bürste (6). Schieben Sie die Klemmfeder (2) rein und haken diese fest. Wiederholen Sie diesen Vorgang auch auf der anderen Seite.



- Setzen Sie die beiden Abdeckungen wieder ein.



Schalten Sie den Motor UMGEHEND aus, wenn der elektrische Motor überlastet wird und dieser stoppt, und führen das Druckentlastungsverfahren in Abschnitt über Reinigung in diesem Handbuch durch. Warten Sie, bis der Motor abkühlt (etwa 30 Minuten). Schieben Sie anschließend die Kunststoffhülle rein, betätigen den manuellen Reset-Knopf, starten den Motor und erzeugen Druck im System.

6.7 Abstimmen der Laufspur des Frontalsprüher

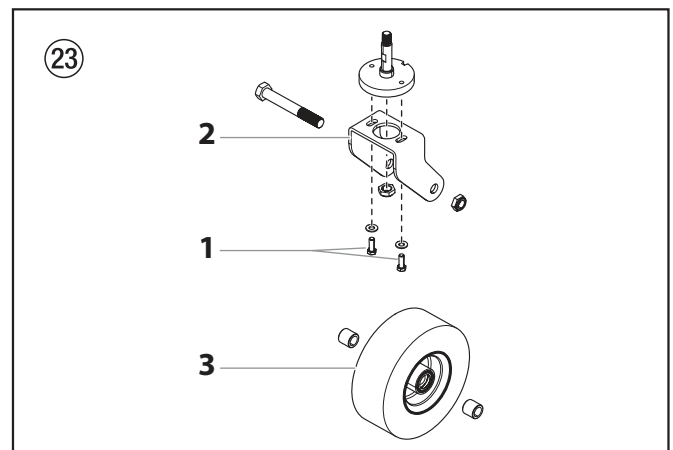
Der Frontalsprüher ist von der Fabrik eingestellt, dass er eine gerade Linie verfolgt. Befolgen Sie den folgenden Ablauf um falls nötig, die Laufspur abzustimmen.

- Die zwei Sechskantschrauben (1) im oberen Teil des Sprüherhaltebügels (2) lösen.
- Den Sprüherhaltebügel (2) leicht in die gewünschte Richtung drehen.



Der Frontalsprüher-Haltestift muss während der Abstimmung der Laufspur eingerastet sein.

- Die zwei Sechskantschrauben (1) festschrauben.
- Die Laufspur des Frontalsprüher (3) überprüfen. Wenn der Sprüher keine gerade Spur hält, den obenerwähnten Ablauf wiederholen.



6.8 Auswechseln des Riemens (Abb. 24)



Achten Sie darauf, dass Sie das "Druckentlastungsverfahren", wie in dem Abschnitt "Betrieb" in diesem Handbuch dargelegt ist, durchgeführt haben, bevor Sie den Riemen in Ihrer Maschine wechseln. **VERSUCHEN SIE NICHT** diese Instandsetzung durchzuführen, während die Maschine läuft.



Die unteren Abbildungen zeigen eine Maschine mit einem Benzinmotor. Alle Anweisungen in diesem Abschnitt gelten sowohl für Benzin- als auch elektrische Motoren, wenn nicht anders darauf hingewiesen wird.

1. Lösen Sie den Knopf (1) auf der Vorderseite des Riemenschutzes. Öffnen Sie die Vorderseite des Riemenschutzes (2), sodass das vordere Ende des Riemens (3) freiliegt.
2. Heben Sie sanft das vordere Ende des Benzinmotors/elektrischen Motors an. Dadurch wird die Spannung auf dem Riemen gelöst und dieser kann leichter entfernt werden.



GEFAHR DES EINQUETSCHENS. Achten Sie darauf, dass Ihre Finger nicht in die Befestigungsplatte des Benzinmotors/elektrischen Motors eingeklemmt werden.

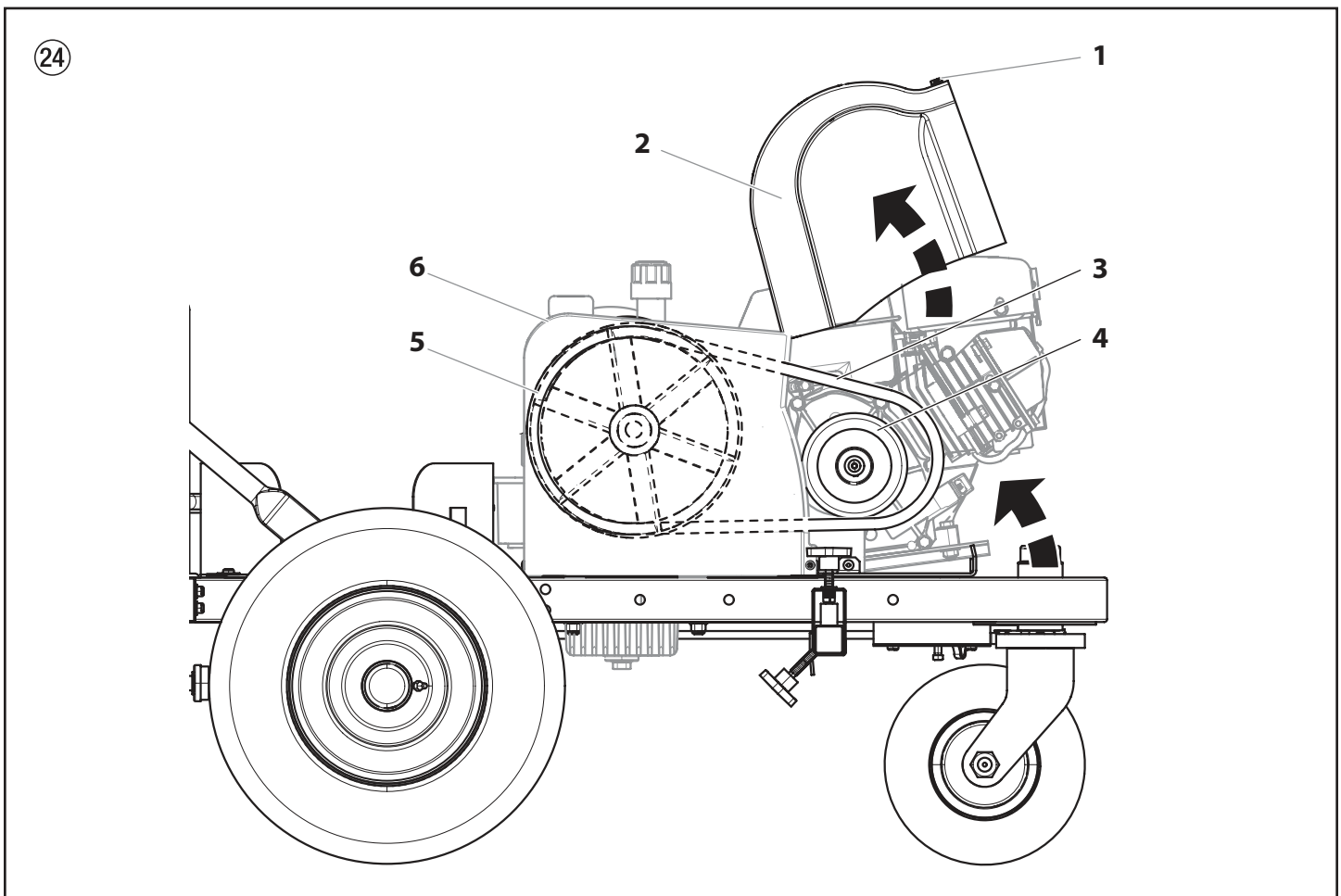
VERBRENNUNGSGEFAHR. Lassen Sie den Benzinmotor ausreichend abkühlen, bevor Sie es berühren.



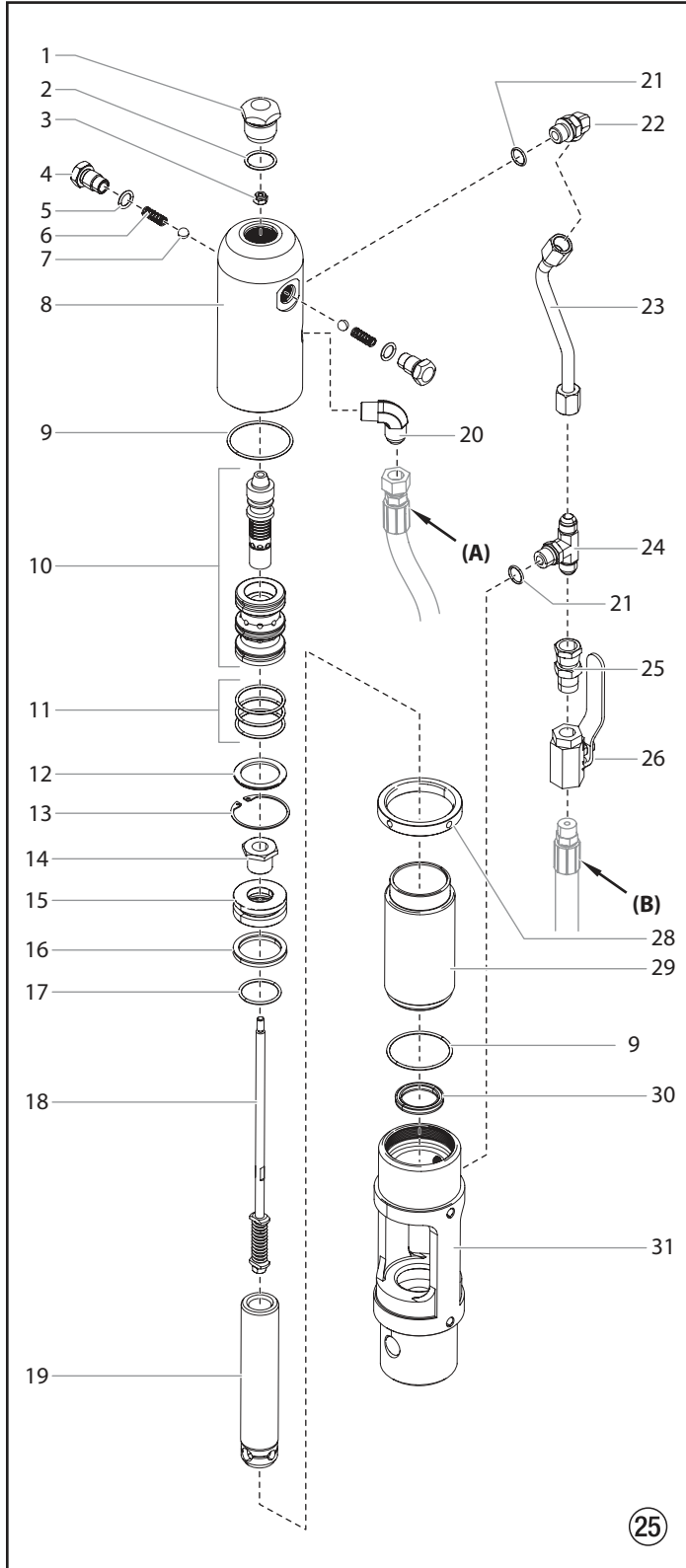
Achtung

Achten Sie darauf, dass der Riemen nicht eingeklemmt oder verdreht ist, wenn Sie den Benzinmotor/elektrischen Motor an seinen Platz zurücksetzen.

3. Entfernen Sie den Riemen von der vorderen und hinteren Riemenscheibe während der Benzinmotor/elektrische Motor angehoben ist.
4. Montieren Sie den neuen Riemen:
 - a. Setzen Sie den Riemen in den festen Bereich des Riemenschutzes (6) ein. Führen Sie den Riemen um die hintere Riemenscheibe (5) bis der Riemen in der Riemenscheibennut an der richtigen Position sitzt.
 - b. Heben Sie vorsichtig das vordere Ende des Benzinmotors/elektrischen Motors an.
 - c. Führen Sie das andere Ende des Riemens um die vordere Riemenscheibe (4), während der Motor angehoben ist.
 - d. Lassen Sie den Benzinmotor/elektrischen Motor vorsichtig nach unten. Das Gewicht des Benzinmotors/elektrischen Motors erzeugt Spannung im Riemen und verhindert, dass sich dieser löst.
- e. Schließen Sie den Riemenschutz (2) und ziehen den Riemenschutzknopf (1) wieder fest.



6.9 Wartung des Hydraulikmotors (Abb. 25)



Bitte siehe Vorgehensweise zur "Montageanleitung zum SAE O-Ring" am Ende dieses Abschnitts für Pos. 22 und 24.

Dieser Ablauf ist mit den nötigen Teilen des Motorservicesatz – klein (P/N 235-050) durchzuführen. Wenn der Hydraulikmotor betriebsfähig ist, die Maschine starten und die Kolbenstange (19) in die oberste Position vorrücken.



Die Wartung des Hydraulikmotors sollte nur in einem sauberen, staubfreien Bereich durchgeführt werden. Jegliche Staub- oder Metallteile, die im Motor gelassen werden oder beim Wiedereinbau in den Motor greifen können kritische Teile beschädigen und die Lebensdauer und Garantie beeinträchtigen. Alle Teile sollten auf absolute Sauberkeit überprüfen.

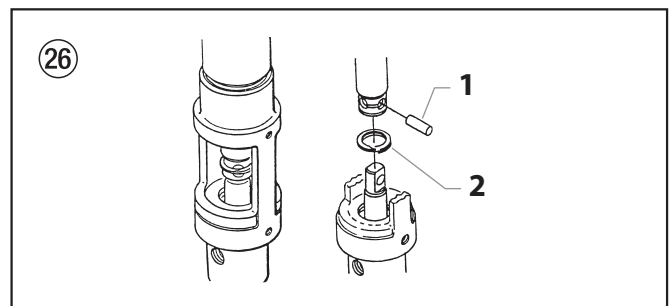
Den Hydraulikmotor demontieren

1. Den Druckschlauch (B) auf der Hinterseite der Hydraulikpumpe vom Winkelstück entfernen.
2. Die zwei Montageschrauben und Federscheiben entfernen, welche die Motoren-/Pumpenbaugruppe an die Pumpenabstützung im Wagen befestigen.
3. Die Motoren-/Pumpenbaugruppe in einen Schraubstock einspannen, indem die Baugruppe sicher beim Motoren-/Pumpenblock gehalten wird (31).
4. Zylinderkopfstöpsel entfernen (1).
5. Seegerring (28) mit einem Ringschlüssel lösen und das Rohr herausrauben indem die Mutter auf dem T-Stück (24) gehalten wird. Das Rohr lösen, indem die Mutter auf dem Winkelstück (22) gehalten wird. Die Mutter heruntergleiten lassen. Motorenrohr entfernen (23). Langsam den Zylinderkopf (8) abschrauben und nur soweit über den Zylinder (29) heben, bis die Ventilstangenbaugruppe (18) mit einer Gripzange erreicht werden kann.
6. Die Kolbenstange (19) sollte bei der Demontage nahe der oberen Position ruhen. Es wird möglicherweise nötig sein, die Kolbenstange mit einem Holz- oder Nylonhammer in die obere Position zu befördern.
7. Die Ventilstange sicher mit der Gripzange ergreifen und die FlexLoc Mutter (3) vom oberen Teil der Ventilstangenbaugruppe (18) entfernen. Vorsicht, dass die Spule (10) nicht fällt. Der Zylinderkopf (8) kann jetzt herausgehoben werden. Den Zylinder (29) vom Motoren-/Pumpenblock (31) abschrauben.



Ein zusätzlicher Seegerring (28) kann benutzt werden um die zwei Seegerringe zusammen am Zylinder zu blockieren und ein Rohrschlüssel kann benutzt werden, um den Zylinder (29) vom Motoren-/Pumpenblock (31) abzuschrauben.

8. Um den Verbindungsstift (Abb. 26, Pos. 1) zu entfernen, den Haltering (2) mit einem kleinen Schraubenzieher herunter ziehen und den Verbindungsstift herausdrücken.



9. Die Kolbenstangenbaugruppe vom Motoren-/Pumpenblock (31) entfernen.
10. Die Kolbendichtung (30) entfernen; grosse Vorsicht ist nötig, damit die Dichtungskerbe im Motoren-/Pumpenblock (31) nicht angekratzt wird.
11. Die Kolbenhalteschraube (14) an der Kolbenstangenbaugruppe in einem Schraubstock anbringen. Eine lange Stange als Hebel durch das Loch an der Unterseite der Kolbenstange schieben und die Kolbenstange von der Kolbenhalteschraube abschrauben.
12. Kolben (19) entfernen und die Ventilstangenbaugruppe (18) herausheben.
13. Die Kolbendichtung (16) und den O-Ring (17) entfernen.

14. Auslösehalter (4), Auslösefedern (6) und Bälle (7) vom Zylinderkopf (8) entfernen. O-Ringe (5) vom Auslösehalter (4) entfernen.
15. Haltering (13) und Abziehhülsehalter (12) entfernen. Sachte den Spulen-/Abziehhülsehalter (10) mit einem Holz- oder Nylonstab aus dem Zylinderkopf (8) klopfen.
16. Kolbenstange (19) und Zylinder (29) auf Abnutzung, Kratzer und Dellen untersuchen. Falls beschädigt, ersetzen.
17. Spulventil (10) auf Abnutzung untersuchen. Wenn nötig ersetzen. In der vertikalen Position gehalten, sollte das Spulventil sich frei und reibungslos ohne Kraftaufwendung bewegen. Ist dies nicht der Fall, kann es dazu führen, dass der Motor abwürgt.

Wiedereinbau des Hydraulikmotors

1. Den Spulen-/Abziehhülsehalter (10) abtrennen. O-Ringe (11) auf die Abziehhülse setzen. O-Ringe mit Hydrauliköl schmieren. Die Abziehhülse mit der flacheren Seite gegen Aussen sachte in den Zylinderkopf (8) hineindrücken. Mit einem Nylonstab die Abziehhülse herunterklopfen, bis die volle Tiefe erreicht wird. Kein anderes Werkzeug, welches die Abziehhülse beschädigen könnte, oder Partikel oder Ablagerungen an der Abziehhülse hinterlässt. Die Spule durch den Oberteil des Zylinderkopfes, hinunter in die Abziehhülse installieren.



Kein Kolbensmierpumpen-Dichtungssmierstoff verwenden. Dies ist ein Lösungsmittel und wird die Dichtungen und O-Ringe des Hydraulikmotors schwer beschädigen.

2. O-Ringe (5) an den Auslösehalter (4) einsetzen. Auslösehalterbälle (7) gefolgt von den Federn (6) einsetzen. Die Federn, wenn eingesetzt, werden den Spulen-/Abziehhülsehalter (10) in der richtigen Position zum Einbau halten.
3. Abziehhülsehalter (12) gefolgt vom Sprengring (13) in den Zylinderkopf (8) einsetzen. Dies wird die Ventilabziehhülse an der richtigen Stelle halten. Den O-Ring (9) in die O-Ring-Furche des Zylinderkopfes einsetzen.
4. Untere Dichtung (30) im Motoren-/Pumpenblock (31) ersetzen. Vergewissern Sie sich, dass die offene Seite der Dichtung gegen oben gerichtet ist (V). Für diese Dichtung wird kein spezielles Werkzeug benötigt.
5. Kolbenstange (19) in den Schraubstock einspannen. Ventilstangenbaugruppe (18) auf jegliche Beschädigung hin untersuchen. Vergewissern Sie sich, dass die Stellmutter auf der Unterseite der Ventilstangenbaugruppe (18) gesichert ist. NICHT entfernen. Danach die Kolbenstange (19) wie illustriert einsetzen. O-Ring (17) einsetzen, gut schmieren und Kolben (15) wieder auf die Kolbenstange (19) einsetzen. Einen Tropfen Loctite blau auf die Kolbenhalterschraube (14) geben. Kolbenhalterschraube soweit anziehen, bis der Kolben an der richtigen Stelle arretiert ist. Zu diesem Zeitpunkt ist die Ventilstangenbaugruppe (18) auf normale Federung zu überprüfen.
6. Kolbendichtung (16) mit Lippe gegen unten zeigend einsetzen. Vorsichtig den O-Ring (17) einsetzen. Den Ring zur Installation genügend ausdehnen.
7. Mit dem Motoren-/Pumpenblock (31) immer noch im Schraubstock, die untere Dichtung (30) einsetzen, indem sie mit einem stumpfen Stab von geeigneter Länge in die Richtung von ihrer Furche gestossen wird. Dann die den Vorgang mit den Fingern abschliessen. Es wird kein Werkzeug benötigt, Die Dichtung nicht verdrehen.
8. Den Kolben und die Ventilstangenbaugruppe vorab mit Coolflo Hydraulikflüssigkeit (P/N 430-361) schmieren. Kolbenstange (19) in den Motoren-/Pumpenblock (31) mit einer leicht drückenden und rotierenden Bewegung einsetzen, damit die Kolbenstange durch die Dichtung (30) geführt werden kann.



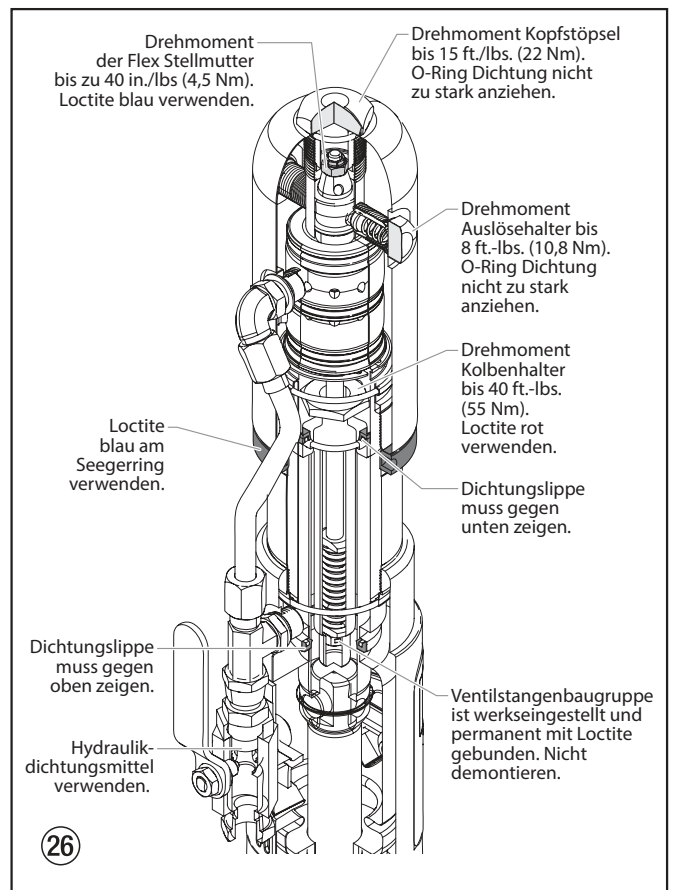
Die Unterseite der Kolbenstange (19) auf Kerben oder spitze Stellen, die die Kolbendichtung beim Einbau durch den Motoren-/Pumpenblock (31) beschädigen könnten, untersuchen.

9. Den Verbindungsstangenstift und Haltering ersetzen.
10. Den O-Ring (9) an die Zylinderwand einsetzen. Ring und innere Wand schmieren. Die Kolbenstange gut festhalten und den Zylinder mit einem Gummihammer sachte über die

Kolbendichtung treiben. Den Zylinder fest in den Motoren-/Pumpenblock (31) einschrauben.

11. Die Kolbenstange (19) in die obere Position führen und den Seegerring (28) gänzlich auf das obere Gewinde des Zylinders (29) aufschrauben.
12. Die Ventilstangenbaugruppe (18) soweit wie möglich nach oben ziehen und mit einer Gripzange ergreifen. Danach den bereits zusammengebauten Zylinderkopf (8) über die Ventilstange einbauen, bis die oberen Gewinde der Ventilstange durch das obere Ende des Spulen-/Abziehhülsehalters (10) durchtreten. Die Ventilstangengewinde müssen sauber und ölfrei sein. Einen Tropfen Loctite blau an das Gewinde der Stellmutter (3) auftragen und Mutter auf die Ventilstange festschrauben (nicht zu stark anziehen), indem die Ventilstange unten mit der Gripzange festgehalten wird.
13. Zylinderkopf (8) auf den Zylinder (29) herunterschrauben und danach wieder soweit aufschrauben, damit genügend Raum entsteht um Hydraulik-anchlussstutzen und Motorenrohr (23) wieder einzubauen. Seegerring mit einem Ringschlüssel anziehen um den Zylinderkopf in der richtigen Position zu halten.
14. O-Ring (2) auf den Zylinderkopfstopfen (1) einsetzen. Festziehen.

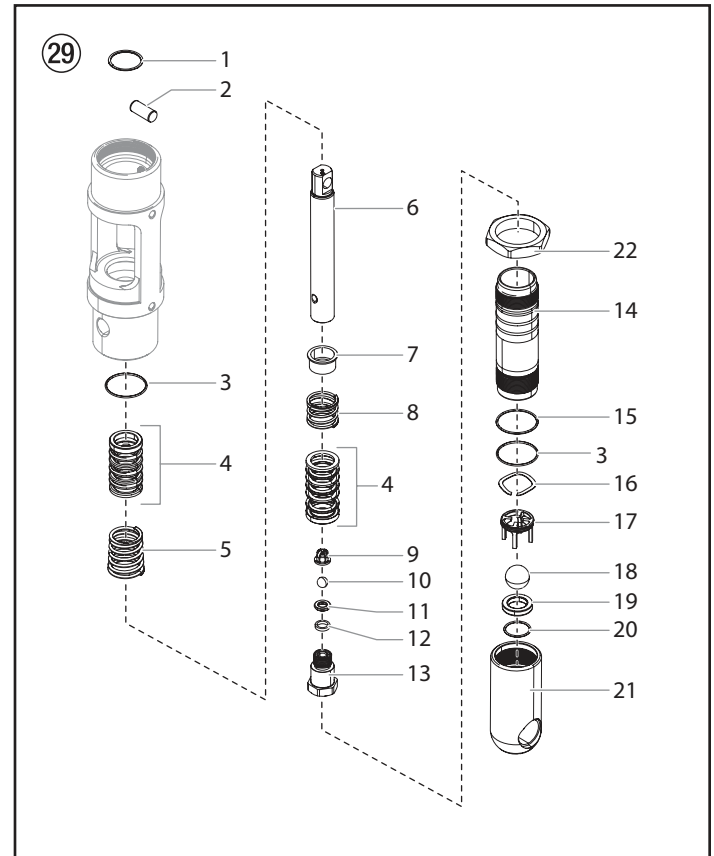
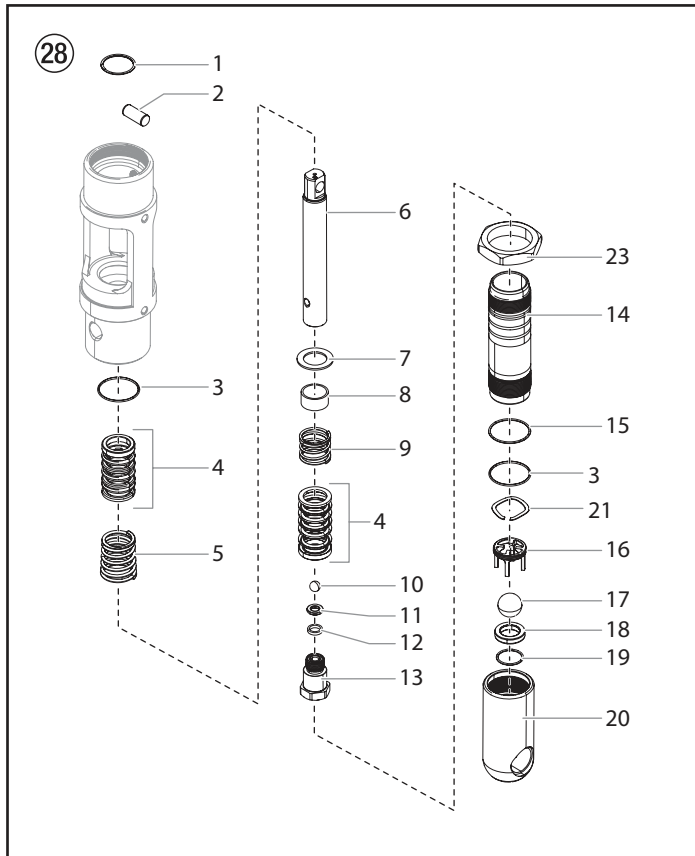
Hydraulikmotor Schnittbild



6.10 Unterhalt des Flüssigkeitsbereiches

PL4955

PL6955 / PL8955



Achtung

Die Benutzung von anderen Ersatzteilen als Titan kann die Garantie annullieren. Für die beste Wartung, benutzen Sie Originalteile von Titan. Diese Pumpe sollte nach ungefähr 1,000 Stunden Laufzeit mit einer Routinewartung gewartet werden. Bei übermäßigem Leck oder wenn die Pumpbewegungen in die eine oder andere Richtung schneller werden, ist eine frühere Wartung nötig. Zur Schmierung der oberen Dichtungen ist die Verwendung von Titan Piston Lube (p/n 314-480) empfohlen. Benutzen Sie kein Öl, Wasser oder Lösungsmittel als Schmiermittel für die oberen Dichtungen.



Die Zahlen in Klammern beziehen sich auf die nummerierten Teile in den Illustrationen des Flüssigkeitsbereiches. Wenn zwei Zahlen angegeben sind, bezieht sich die erste Zahl auf die Teilenummer für den PL4955 und die zweite Zahl bezieht sich auf die Teilenummer für den PL6955 / PL8955.

Demontage des Flüssigkeitsbereichs

- 1a. Die Syphonschlauchbaugruppe entfernen. Das Fussventilgehäuse (20,21) und den Pumpenzylinder (14) mit einem Riemenschlüssel aufschrauben.



Wenn der Pumpenzylinder (14) nicht mit einem Bandschlüssel gelöst werden kann, so verwenden Sie die Kontermutter (23, 22), um ihn aus dem Pumpengehäuse auszubauen.

- 1b. Lösen Sie die Kontermutter (23, 22) am Zylinder, bis sie aus den Zylindergewinden herausragt. Bringen Sie einen Schraubenschlüssel auf den Flächen der Kontermutter an und drehen Sie den Schraubenschlüssel gegen den Uhrzeigersinn, um den Zylinder zu lösen.
2. Den Haltering (1) mit einem kleinen Schraubenzieher heraufschieben und dann den Verbindungsstift (2) herausdrücken.
3. Den Verdrängungsstab (6) durch den unteren Hohlraum des Motoren-/Pumpenblock ziehen.
4. Den PTFE O-Ring (3), die obere Dichtungsfeder (5) und den oberen Dichtungssatz (4) vom Motoren-/Pumpenblock entfernen.
5. Den Verdrängungsstab (6) in einem Schraubstock an den flachen Seiten am oberen Ende des Verdrängungsstabes halten und das Ablassventilgehäuse (13) mit einem Schlüssel entfernen, während der Verdrängungsstab horizontal, wenn nötig mit einer hölzernen Unterlage gehalten wird. Den Dichtungsring (12), Ablassventilsitz (11), Ablassventilball (10), Ablassventilkorb (9, PL6955/PL8955), unterer Dichtungssatz (4), untere Dichtungsfeder (9,8), Abziehhülse (8, nur bei PL4955) und Federhalter (7) entfernen.
6. Benutzen Sie eine 1/2" Verlängerungsstange welche an ein 1/2" Antriebszahngesperre angebaut ist, und fügen Sie das Ende der Verlängerungsstange in die quadratische Oeffnung des Fussventilkorbes (16, 17), innerhalb dem Fussventilgehäuse (20,21). Den Fussventilkorb zusammen mit der Wellendichtscheibe (21, 16) abschrauben und vom Fussventilgehäuse entfernen.
7. Den PTFE O-Ring (3), Fussventilball (17, 18), Fussventilsitz (18, 19) und Sitz-O-Ring (19,20) vom Fussventilgehäuse (20,21) entfernen.

- Den O-Ring (15) vom Pumpenzylinder (14) entfernen.

Wiedereinbau des Flüssigkeitsbereichs



An allen Rohrverbindungsgewinden PTFE-band benutzen.

- Einen neuen Sitz O-Ring (19, 20) in die Kerbe am unteren Teil des Fussventilgehäuses (20,21) anbringen.
- Den Fussventilsitz (18,19) auf Abnutzung untersuchen. Wenn eine Seite abgenutzt ist, den Sitz auf die unbenutzte Seite umdrehen. Wenn beide Seiten abgenutzt sind, einen neuen Sitz einbauen. Den neuen oder umgedrehten Sitz (abgenutzte Seite nach unten) in die Bohrung am Unteren Teil des Fussventilgehäuses (20,21) einfügen.
- Einen neuen Fussventilball (17,18) auf den Fussventilsitz setzen (18,19). Benutzen Sie eine 1/2" Verlängerungsstange welche an ein 1/2" Antriebszahngesperre angebaut ist, und fügen Sie das Ende der Verlängerungsstange in die quadratische Oeffnung des Fussventilkorbes (16, 17) und schrauben den Fussventilkorb in das Fussventilgehäuse (20, 21). Drehmoment für den Korb bis 240 in./lbs (20 ft./lbs.).
- Die Wellendichtscheibe (21, 16) auf den Fussventilkorb (16,17) aufsetzen.
- Einen neuen PTFE O-Ring (3) in die Furche am unteren Ende des Fussventilgehäuses (20,21) einsetzen. Den O-Ring mit Oel oder Fett schmieren.
- Nachdem die Lederdichtungen in Oel (vorzugsweise Leinöl) eingeweicht wurden, den unteren Dichtungssatz (4) wieder zusammenbauen. Den Satz auf das Ablassventilgehäuse (13) setzen, mit dem Spitz der "V" Dichtungen nach unten in Richtung des Sechskants am Ablassventilgehäuse zeigend.



Alle Ledermanschetten müssen vor der Montage für 15-20 Minuten in Öl (CoolFlo) eingeweicht werden. Werden die Manschetten zu lange eingeweicht, schwellen diese auf und verursachen Probleme beim Wiederausammenbau.

- Den Ablassventilsitz (11) auf Abnutzung untersuchen. Wenn eine Seite abgenutzt ist, den Sitz auf die unbenutzte Seite umdrehen. Wenn beide Seiten abgenutzt sind, einen neuen Sitz benutzen. Den Ablassventilkorb (9, PL6955/ PL8955), Ablassventilball (10), neuen oder umgedrehten Sitz (abgenutzte Seite vom Ball entfernt) und eine neue Dichtscheibe (12) in die Verdrängungsstange (6) einsetzen.
- Die Gewinde am Ablassventilgehäuse (13) reinigen und die Gewinde mit Loctite blau Nr. 242 beschichten. Vergewissern Sie sich, dass Loctite nur auf dem Gewinde aufgetragen wird.
- Die untere Dichtungsfeder (9,8) auf das Ablassventilgehäuse (13) setzen, gefolgt von der Abziehhülse (8, nur bei PL4955) und Federhalter (7).
- Den Verdrängungsstab (6) und das Ablassventilgehäuse (13) zusammenschrauben. In einem Schraubstock bis zu 50 ft./lbs. (68 Nm) anziehen.
- Den PTFE O-Ring (3) in die obere Furche des Motoren-/ Pumpenblocks einsetzen.
- Den oberen Dichtungssatz (4) in den Motoren-/Pumpenblock einsetzen, mit der Spitze der "V" Dichtungen nach oben, in Richtung Motor zeigend.



Die Dichtungen müssen vor der Montage in Oel (CoolFlo) eingeweicht worden sein.

- Die obere Dichtungsfeder (5) mit dem kleinen zulaufenden Ende gegen oben in Richtung Motor/Pumpe zeigend in den Motoren-/Pumpenblock einsetzen.
- Den Verdrängungsstab (6) durch die oberen Dichtungen hinauf in den Motoren-/Pumpenblock einsetzen.
- Die Löcher im Verdrängungsstab (6) und dem Hydraulikkolbenstab aufeinander abstimmen und den

Verbindungsstift (2) einsetzen. Den Haltering (1) über dem Verbindungsstift ersetzen.

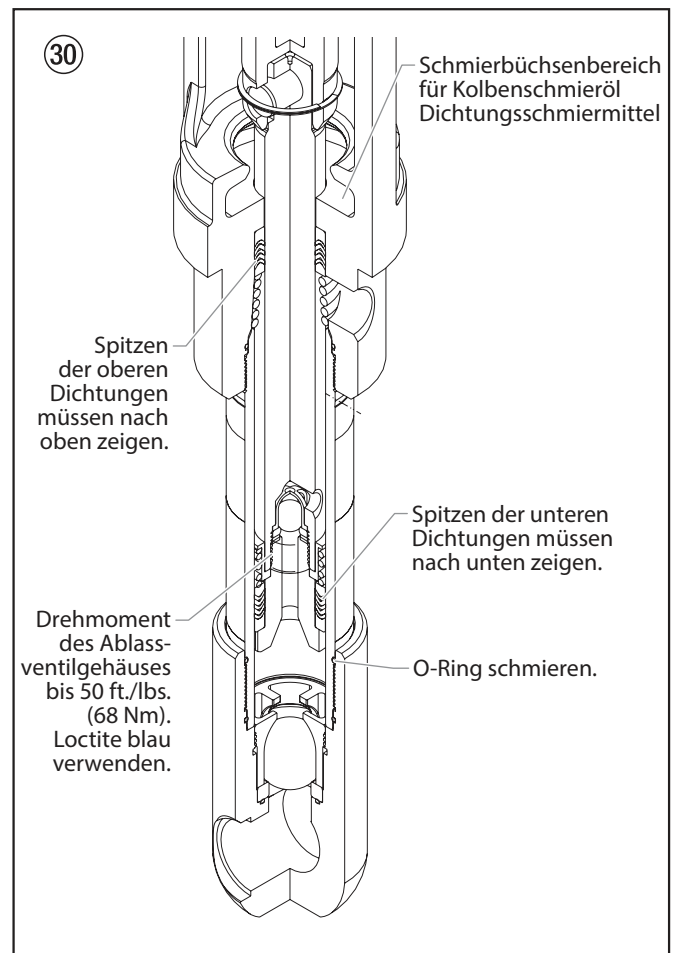
- Die kurzen Gewinde des Pumpenzylinders (14) in den Motoren-/Pumpenblock einschrauben und mit einem Riemenschlüssel festschrauben.
- Den O-Ring (15) in die oberste Furche des Pumpenzylinders (14) einsetzen.
- Das Fussventilgehäuse (20,21) auf den Pumpenzylinder (14) aufschrauben, mit einem Riemenschlüssel festziehen und dann wieder so weit lösen um den Syphonschlauch auszurichten.



Es ist nicht nötig, das Fussventilgehäuse zu stark anzuziehen. Die O-Ring Dichtungen dichten ohne übermässiges Anziehen. Anziehen bis an das Ende des Gewindes ist genügend. Das Fussventilgehäuse kann zur bequemen Schlauchpositionierung bis zu einer 1/2 Drehung nach Ende des Gewindes nach hinten rotiert werden.

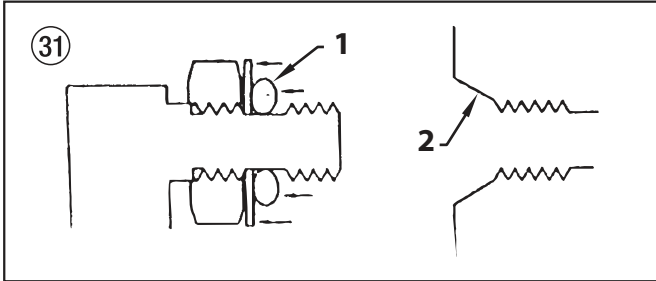
Für die Syphonschlauchaufsätze ist es kritisch wichtig, dass die Gewinde des Syphonschlauches raumfest in das Fussventilgehäuse passen und dass die Schlauchbaugruppenverbindungen mit PTFE-band umwickelt und abgedichtet sind, um Luftlecks zu verhindern.

Schnittbild des Flüssigkeitsbereichs

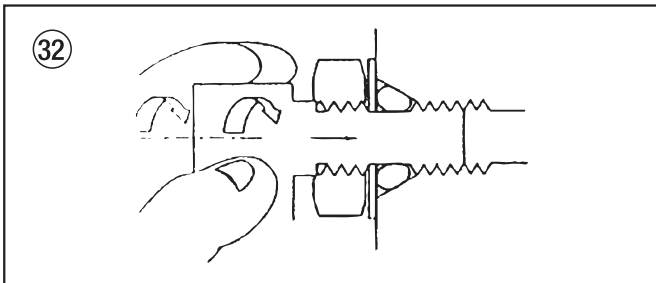


6.11 Montageanleitung zum SAE O-Ring

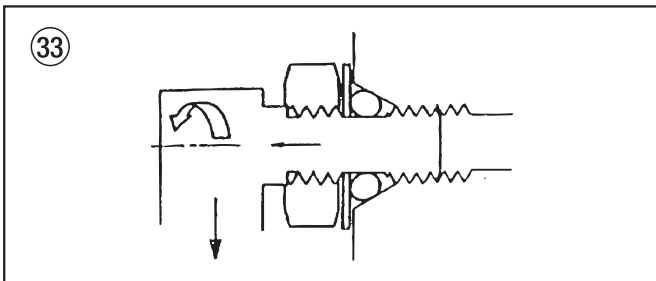
1. Ziehen Sie die Unterlegscheibe und den O-Ring so weit wie möglich zurück.
2. Schmieren Sie den O-Ring(1) und die Eintrittsöffnung (2).



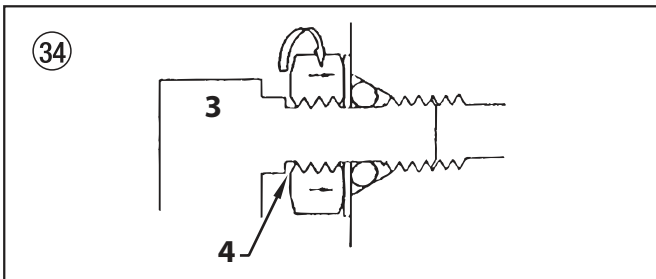
3. Schrauben Sie das Einschraubteil soweit rein, bis die Unterlegscheibe den O-Ring in die Eintrittsöffnung schiebt und diese flach auf der Öffnung sitzt (Ziehen Sie diesen nicht fest! Ziehe diesen nur handfest, um den O-Ring in die Öffnung zu drücken!)



4. Machen Sie beim Rückbau nicht mehr als eine komplette Drehung, um diese anzupassen.



5. Drehen Sie den Mutterschlüssel fest und halten dabei die Stütze auf das Einschraubteil (3). Dadurch entsteht eine Einlaufspalte (4) hinter der Gewindemutter, die als Hinweis dazu dient, dass das Einschraubteil korrekt montiert wurde. (Dies ist ein Merkmal nur für eine spezielle Version des Einschraubteils - dieses wird in den Zylinderkopf eingeschraubt. Andere Einschraubteile, die z. B. in die Hydraulikpumpe geschraubt werden, werden genauso montiert, haben aber ggf. keinen Indikator.)



Achtung

Schrauben Sie das Einschraubteil nicht zu weit ein. Dadurch kann die Unterlegscheibe verbogen werden, wodurch wiederum der O-Ring gepresst wird. Lassen Sie das Einschraubteil nicht zu sehr hervorragen. Dadurch kann der O-Ring durch das Gewinde des Einschraubteils durchtrennt werden.

7. Fehlerbehebung

7.1 Airless-Spritzpistole

| Problem | Grund | Lösung |
|--|--|--|
| A. Spuckende Spritzpistole | <ol style="list-style-type: none"> 1. Luft im System 2. Verschmutzte Spritzpistole 3. Nadelbaugruppe nicht mehr angepasst 4. Sitz ist zerbrochen oder angeschlagen | <ol style="list-style-type: none"> 1. Verbindungen auf Luftleck überprüfen. 2. Zerlegen und reinigen. 3. Ueberprüfen und abstimmen. 4. Ueberprüfen und ersetzen. |
| B. Spritzpistole lässt sich nicht absperrern | <ol style="list-style-type: none"> 1. Abgenutzte oder zerbrochene Nadel & Sitz 2. Nadelbaugruppe nicht mehr angepasst 3. Verschmutzte Spritzpistole | <ol style="list-style-type: none"> 1. Ersetzen. 2. Abstimmen. 3. Reinigen. |
| C. Spritzpistole spritzt nicht | <ol style="list-style-type: none"> 1. Keine Farbe 2. Verstopfter Filter oder Düse 3. Zerbrochene Nadel in der Spritzpistole | <ol style="list-style-type: none"> 1. Flüssigkeitsvorrat überprüfen. 2. Reinigen. 3. Ersetzen. |

7.2 Flüssigkeitsbereich

| Problem | Grund | Lösung |
|--|---|---|
| A. Pumpe gibt Farbe nur beim Aufwärtsstrich ab oder geht langsam aufwärts und schnell abwärts (üblicherweise auch downstroke dive genannt) | <ol style="list-style-type: none"> 1. Unterer Fussventillball kann sich nicht setzen, da entweder verschmutzt oder abgenutzt 2. Material ist zu dickflüssig um angesaugt zu werden. 3. Luft tritt an der Ansaugseite ein oder beschädigter Syphonschlauch. Der Syphon ist vielleicht zu klein für dickeres Material. | <ol style="list-style-type: none"> 1. Fussventilbaugruppe entfernen. Reinigen und überprüfen. Fussventil testen indem es mit Wasser gefüllt wird; falls der Ball den Sitz nicht abdichtet, den Ball ersetzen. 2. Material verdünnen — Für die richtigen Verdünnungsverfahren den Hersteller kontaktieren. 3. Alle Verbindungen zwischen Pumpe und Farbbehälter festziehen. Falls beschädigt, ersetzen. Auf ein Syphonset mit grösserem Durchmesser wechseln. |
| B. Pumpe gibt Farbe nur beim Abwärtsstrich ab oder geht schnell aufwärts und langsam abwärts | <ol style="list-style-type: none"> 1. Oberer Ball kann sich nicht setzen, da entweder verschmutzt oder abgenutzt 2. Untere Dichtungen sind abgenutzt | <ol style="list-style-type: none"> 1. Den oberen Sitz und Ball mit Wasser testen. Falls der Ball nicht abdichtet, den Sitz ersetzen. 2. Dichtungen ersetzen falls sie abgenutzt ist. |
| C. Pumpe bewegt sich schnell auf- und abwärts, gibt Farbe ab | <ol style="list-style-type: none"> 1. Materialkübel ist leer oder das Material ist zu dickflüssig um durch den Syphonschlauch zu fließen 2. Unterer Ball klebt an der Fussventilsitz 3. Syphonschlauch ist geknickt oder lose | <ol style="list-style-type: none"> 1. Mit neuem Material auffüllen. Wenn es zu dickflüssig ist, den Syphonschlauch entfernen, Flüssigkeitsbereich in das Material eintauchen und Pumpe zum Grundieren anstellen. Verdünner dem Material beimischen. Auf ein grösseres Syphonset umstellen. Auslaufventil öffnen um Luft abzulassen und Pumpe neu starten. 2. Fussventil entfernen. Ball und Sitz reinigen. 3. Gerade legen. |
| D. Pumpe bewegt sich langsam auf- und abwärts wenn die Spritzpistole abgestellt ist | <ol style="list-style-type: none"> 1. Lose Verbindungen. Auslaufventil ist teilweise offen oder Auslaufventil ist abgenutzt. Unterer Dichtungssitz ist abgenutzt. 2. Oberer und/oder unterer Ball setzt sich nicht | <ol style="list-style-type: none"> 1. Alle Verbindungen zwischen Pumpe und Spritzpistole überprüfen. Wenn nötig festziehen. Falls Material aus dem Ablassschlauch läuft, Ablassventil schliessen oder wenn nötig ersetzen. Wenn keine der obenerwähnten Lösungen erforderlich ist, die untere Dichtung ersetzen. 2. Bälle neu setzen indem sie gereinigt werden. |
| E. Ungenügend Flüssigkeitsdruck in der Spritzpistole | <ol style="list-style-type: none"> 1. Spritzpistolendüse ist abgenutzt 2. Abflussfilter oder Spritzpistolenfilter ist verstopft 3. Tiefe Spannung und/oder unzureichende Stromstärke 4. Schlauchdurchmesser ist zu klein oder Schlauchlänge zu lang | <ol style="list-style-type: none"> 1. Ersetzen. 2. Filter reinigen oder ersetzen. 3. Elektrizitätsservice überprüfen. Wenn nötig korrigieren. 4. Schlauchdicke vergrössern um den Druckabfall im Schlauch zu vermindern und/oder Schlauchlänge verringern. |
| F. Pumpe klappert beim Aufwärts- oder Abwärtsstrich | <ol style="list-style-type: none"> 1. Lösungsmittel brachte obere Dichtung zum anschwellen | <ol style="list-style-type: none"> 1. Dichtung ersetzen. |

7.3 Hydraulikmotor

Problem

- A. Oelmotor würgt unten ab (keine aussergewöhnlichen Hitze Probleme)

Grund

1. Kolbensitz der Flüssigkeitspumpe wurde aufgeschraubt
2. Ventil klebt oder die Stangengangsbaugruppe des Oelmotors hat sich abgesondert

Lösung

1. Wenn Verbindungsstange in Ordnung ist, Zylinderkopfstecker entfernen und Ventil nach unten drücken. Stecker ersetzen und Maschine neu starten. Wenn die Maschine nach oben zyklert und dann unten anhält, liegt das Problem beim Kolbensitz in der Flüssigkeitspumpe. Kolbensitz überprüfen. Reparieren oder wenn nötig ersetzen. Wenn der Kolbensitz in Ordnung ist und das Problem nicht behoben ist, den Oelmotor überprüfen.
2. Ventil entfernen und auf Kratzer und grobe Bewegung beim Auf- und Abgleiten überprüfen. Ventil und Spule in diesem Zustand ersetzen. In diesem Fall die Stange auf mögliche Abtrennung von der Spule überprüfen. Stange auf mögliche Abtrennung überprüfen.

- B. Tiefer Druck (in Ordnung beim Abwärtsstrich, träge beim Aufwärtsstrich – grosse Hitze)

1. Ventil klebt
2. Federführung zerbrochen (Ventilstangenbaugruppe)
3. Feder oder Ventilstange zerbrochen
4. Luft im Hydraulikmotor

1. Ventil entfernen und auf Kratzer und grobe Bewegung beim Auf- und Abgleiten überprüfen. Ventil und Spule in diesem Zustand ersetzen.
2. Ventilstangenbaugruppe ersetzen.
3. Ventilstangenbaugruppe ersetzen.
4. Ventil neu einstellen. Luftentleerung, wird normalerweise erreicht, indem der Motor und die Pumpenbaugruppe während 5 – 10 Minuten unter leichtem Druck zyklieren. Gründe für den Lufteintritt überprüfen:
 - Lockere Einbauteile im Tank.
 - Lockere Einbauteile in der Hydraulikpumpe.
 - Lockere Schlauchverbindungen.
 - Oeltiefstand im Reservoir.
5. Wenn die Flüssigkeitspumpe Luft aufnimmt, kann der Fluss der Flüssigkeit im oberen Stand wahllos auftreten. Ventil nachstellen. Luft in der Flüssigkeitspumpe ist zu vermeiden.

- C. Low pressure (okay on down stroke, sluggish on up.stroke — high heat)

1. Kolbendichtung zerstört

ANMERKUNG: Der Motor müht sich beim Aufwärtsstrich ab und geht in den Leerlauf bei Beginn des Abwärtsstriches.

1. Vor der Demontage des Oelmotors die Maschine starten. Während die Pumpe unter Druck läuft, den Hydraulikzylinder berühren, um festzustellen ob der Zylinder oder Zylinderkopf heisser wird. Dies hilft zu ermitteln, ob die Kolbendichtung zerstört oder die Kolbenmutter zerbrochen ist. Wenn der Zylinderkopf heiss ist, die O-Ringe am Spulventil überprüfen.
2. Oelmotor demontieren und Kolgendichtungen, Zylinderbohrung und Kolbenmutter überprüfen. Spezielle Aufmerksamkeit ist der Kolbenmutter zu schenken. Sie kann angerissen sein, was äusserlich nicht erkennbar ist.

- D. Tiefer Druck (Beide Strichrichtungen – grosse Hitze)

1. Mittlere O-Ringe am Spulventil zerstört

ANMERKUNG: Der Motor müht sich bei Beginn beider Strichrichtungen ab.

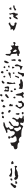
1. Vor der Demontage des Oelmotors die Maschine starten. Während die Pumpe unter Druck läuft, den Hydraulikzylinder berühren, um festzustellen ob der Zylinder oder Zylinderkopf heisser wird. Dies hilft zu ermitteln, ob der mittlere O-Ring am Spulventil zerstört ist. Wenn heiss, den O-Ring entfernen und ersetzen.
2. Hydraulikpumpe ersetzen.

2. Schlechte Hydraulikpumpe

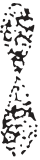
7.4 Spritzmuster

Problem

A. Schweif



B. Stundenglas



C. Verzerrt



D. Muster ausgedehnt und zusammengedrückt (Schub)



E. Rundes Muster



Grund

1. Mangelhafte Flüssigkeitszufuhr

1. Mangelhafte Flüssigkeitszufuhr

1. Verstopfte oder abgenutzte Düse

1. Anschlagleck
2. Pulsierende Flüssigkeitszufuhr

1. Abgenutzte Düse
2. Flüssigkeit zu dickflüssig für Düse

Lösung

1. Flüssigkeit atomisiert nicht richtig: Flüssigkeitsdruck vergrößern. Düse mit einer kleineren Düse auswechseln. Flüssigkeitsviskosität verringern. Schlauchlänge verringern. Spritzpistole und Filter reinigen. Anzahl Spritzpistolen, die von der Pumpe bedient werden reduzieren.

1. Gleich wie oben.

1. Düse reinigen oder ersetzen.

1. Ansaugschlauch auf Leck überprüfen.
2. Düse mit einer kleineren Düse auswechseln. Pulsschlagdämpfer im System installieren oder existierender Dämpfer ablassen. Anzahl Spritzpistolen die von der Pumpe bedient werden reduzieren. Beschränkungen im System beseitigen; Düsengitter reinigen wenn Filter benutzt wird.

1. Düse ersetzen.
2. Druck erhöhen. Material verdünnen. Düse auswechseln.

Attention!

Danger de blessure par injection de produit!

Les groupes "Airless" produisent des pressions de projection extrêmement élevées.

**1**

Ne jamais exposer les doigts, les mains ou d'autres parties du corps au jet!

Ne jamais diriger le pistolet vers soi, vers d'autres personnes ou vers des animaux.

Utiliser toujours le pistolet muni de sa protection.

Ne traitez pas une blessure par injection comme simple coupure.

En cas de blessure de la peau par l'injection de peintures ou de solvants, consultez sans retard un médecin. Renseignez le médecin sur la nature de la peinture ou du solvant utilisés.

2

Avant toute mise en service, respecter les points suivants conformément aux instructions de service:

1. Ne jamais utiliser un équipement défectueux.
2. Verrouiller le pistolet Titan par le levier de sécurité à la gâchette.
3. Assurer la mise à la terre correcte.
4. Vérifier et respecter les pressions admissibles pour le flexible et le pistolet.
5. Contrôler l'étanchéité de tous les raccords.

3

Respecter sans faute les instructions relatives au nettoyage et à l'entretien réguliers du matériel.

Avant toute intervention sur le matériel et pendant chaque interruption de travail, observer les règles suivantes:

1. Evacuer la pression du pistolet et du flexible.
2. Verrouiller le pistolet Titan par le levier de sécurité à la gâchette.
3. Arrêter le groupe.

Ne négligez pas la sécurité!

Contenu

| | Page | | Page |
|--|------|---|-------|
| 1. Prescriptions de sécurité pour la projection Airless | 54 | 7. Dépannage | 75 |
| 1.1 Explication des symboles utilisés..... | 54 | 7.1 Pistolet sans air..... | 75 |
| 1.2 Sécurité en électricité..... | 54 | 7.2 Section des liquides..... | 75 |
| 1.3 Sécurité du moteur à essence..... | 55 | 7.3 Moteurs hydrauliques..... | 76 |
| 1.4 Ravitaillement (moteur à essence)..... | 55 | 7.4 Répartition de la pulvérisation..... | 76 |
| 2. Généralités d'utilisation | 57 | Accessoires et pièces de rechange | 78 |
| 2.1 Domaines d'utilisation..... | 57 | Liste des pièces de rechange ensemble principal..... | 78/79 |
| 2.2 Produits de revêtement..... | 57 | Liste des pièces de rechange ensemble de chariot I..... | 80/81 |
| 3. Description du matériel | 57 | Liste des pièces de rechange ensemble de chariot II..... | 82/83 |
| 3.1 Le procédé Airless..... | 57 | Liste des pièces de rechange du système hydraulique..... | 84/85 |
| 3.2 Fonctionnement du matériel..... | 57 | Liste des pièces de rechange du moteur hydraulique..... | 86/87 |
| 3.3 Illustration groupes PL avec moteur à essence..... | 58 | Liste des pièces de rechange de | |
| 3.4 Caractéristiques techniques..... | 59 | section des liquides • PL4955..... | 88/89 |
| 4. Fonctionnement | 60 | Liste des pièces de rechange de | |
| 4.1 Remplissage de la pile (PL6955 / PL8955)..... | 60 | section des liquides • PL6955 / PL8955..... | 90/91 |
| 4.2 Installation..... | 60 | Liste des pièces de rechange convertokit à essence..... | 92 |
| 4.3 Préparation d'un nouveau vaporisateur..... | 62 | Liste des pièces de rechange protège-courroie..... | 93 |
| 4.4 Préparation avant de peindre..... | 62 | Liste des pièces de rechange filtre à haute pression..... | 94/95 |
| 4.5 Peinture..... | 63 | Liste des pièces de rechange assemblage du tuyau | |
| 4.6 Procédure de décharge de pression..... | 64 | de décharge avec soupape..... | 96 |
| 4.7 Fonctionnement de la roulette avant..... | 64 | Liste des pièces de rechange assemblage de la | |
| 4.8 Pliage de la barre du support de pistolet de pulvérisation.... | 64 | soupape de décharge..... | 97 |
| 5. Nettoyage | 65 | Liste des pièces de rechange assemblage de la roulette..... | 98 |
| 5.1 Consignes spéciales de nettoyage lors de l'utilisation | | Liste des pièces de rechange pour l'ensemble | |
| du pistolet avec des solvants inflammables..... | 65 | servant à lever ou incliner..... | 99 |
| 5.2 Nettoyage du pulvérisateur..... | 65 | Liste des pièces de rechange pour l'ensemble | |
| 5.3 Nettoyage d'une buse obstruée..... | 65 | de support à pistolet..... | 100 |
| 6. Entretien | 66 | Schéma de branchement du tuyau hydraulique | 101 |
| 6.1 Entretien quotidien..... | 66 | Schéma électrique (PL4955) | 102 |
| 6.2 Entretien du filtre..... | 66 | Schéma électrique (PL6955/PL8955) | 103 |
| 6.3 Entretien du système hydraulique..... | 67 | Accessoires pour groupes PL | 104 |
| 6.4 Entretien de la section des fluides..... | 67 | Tableau de buse de rayage TR-1..... | 106 |
| 6.5 Entretien de base du moteur (moteur à essence)..... | 67 | Liste des pièces de rechange convertokit électrique (120V)..... | 107 |
| 6.6 Remplacement des balais de moteur (moteur électrique | | Garantie | 112 |
| de 120 V facultatif)..... | 68 | | |
| 6.7 Réglage de la trajectoire de la roulette avant..... | 68 | | |
| 6.8 Remplacement de la courroie..... | 69 | | |
| 6.9 Entretien du moteur hydraulique..... | 70 | | |
| 6.10 Maintenance de la section des liquides..... | 72 | | |
| 6.11 Installation du raccord SAE du joint torique..... | 74 | | |

1. Prescriptions de sécurité pour la projection Airless

1.1 Explication des symboles utilisés

Veillez lire et être sûr de comprendre toutes les informations contenues dans ce manuel avant d'utiliser l'appareil. Lorsque vous pénétrez dans une zone qui contient les symboles suivants, soyez particulièrement vigilant et vérifiez que les systèmes de sécurité sont bien installés.

| | |
|--|--|
|  | Ce symbole indique un risque potentiel pouvant entraîner des blessures graves ou même mortelles. Vous trouverez ci-après d'importantes consignes de sécurité. |
|  Attention | Ce symbole indique un risque potentiel pour vous ou pour l'appareil. D'importantes informations sur la manière d'éviter tout dommage de l'équipement ou d'éviter des blessures légères sont indiquées ci-après. |
|  | Danger de blessure par injection de produit |
|  | Danger d'incendie |
|  | Risque d'explosion |
|  | Vapeurs toxiques et/ou inflammables. Danger d'intoxication et de brûlure |
|  | Les notes contiennent des informations qui doivent être consciencieusement respectées. |



RISQUE : Blessure par projection

Un courant de liquide à haute pression produit par cet équipement peut percer la peau et les tissus sous-cutanés, et entraîner des blessures graves ou une amputation.

Ne traitez pas une blessure par injection comme simple coupure. En cas de blessure de la peau par l'injection de peintures ou de solvants, consultez sans retard un médecin. Renseignez le médecin sur la nature de la peinture ou du solvant utilisés.

PRÉVENTION :

- NE dirigez JAMAIS le pistolet vers une partie du corps, quelle qu'elle soit.
- NE laissez JAMAIS une partie du corps entrer en contact avec le flux de liquide. NE laissez JAMAIS votre corps au contact d'une fuite dans le tuyau de liquide.
- NE placez JAMAIS vos mains devant le pistolet. Les gants ne constituent pas un rempart suffisant contre les blessures par projection.
- Bloquez TOUJOURS la gâchette du pistolet, éteignez la pompe et vidangez toute la pression avant toute opération d'entretien, avant de nettoyer une buse ou une protection, avant de changer une buse ou si vous laissez l'appareil sans surveillance. La pression ne s'évacue pas simplement en éteignant le moteur. La vanne prime/SPRaY ou la vanne de décharge de la pression doivent être placées dans les positions souhaitées pour vidanger la pression.

- Conservez TOUJOURS la protection de la buse en place lorsque vous pulvérisez. La protection de la buse fournit une certaine protection mais il s'agit principalement d'un système d'alarme.
- Enlevez TOUJOURS la buse de pulvérisation avant de rincer ou de nettoyer le système.
- N'utilisez JAMAIS un pistolet pulvérisateur sans blocage de gâchette et sans protection de gâchette.
- Tous les accessoires doivent pouvoir travailler à la pression de travail maximale du pulvérisateur ou au-dessus. Ceci concerne les buses de pulvérisation, les pistolets, les rallonges et le tuyau.



RISQUE : Flexible à haute pression

Le tuyau de peinture peut présenter des fuites dues à l'usure, aux pincements et aux mauvaises utilisations. Toute fuite peut entraîner une projection de matériau dans la peau. Vérifiez soigneusement le tuyau avant chaque utilisation.

PRÉVENTION :

- Il faut éviter de trop plier le flexible; le plus petit rayon ne doit pas être inférieur à 20 cm.
- Protéger le flexible contre le passage de véhicules et éviter le frottement sur des arêtes vives.
- Remplacer immédiatement tout tuyau à haute pression endommagé.
- Ne jamais essayer de réparer un flexible endommagé!
- La charge électrostatique du pistolet et du flexible est évacuée par ce dernier. Pour cette raison, la résistance électrique entre les raccords du flexible doit être égale ou inférieure à 1 mégohm.
- Pour des raisons de fonctionnement, de sécurité et de durée utile utiliser exclusivement des flexibles à haute pression originaux de Titan.
- Avant chaque utilisation, vérifiez que les tuyaux ne présentent ni coupures, ni fuites, ni signes d'abrasion ou de renflement du revêtement. Vérifiez l'état et le mouvement des raccords. Remplacez immédiatement les tuyaux s'ils sont en mauvais état. Ne réparez jamais un tuyau de peinture. Remplacez-le par un tuyau à haute-pression relié à la masse.
- Assurez vous que le tuyau à air et les tuyaux de pulvérisation sont disposés de façon à éviter les risques de glissade, de trébuchement ou de chute.



RISQUE : Explosion et incendie

Les vapeurs inflammables, telles que les vapeurs de solvant et de peinture, dans une zone de travail peuvent s'enflammer ou exploser.

PRÉVENTION :

- Servez-vous de l'équipement dans un endroit bien aéré. Faites circuler beaucoup d'air frais dans l'endroit afin d'éviter l'accumulation de vapeurs inflammables dans la zone de pulvérisation. Entrez l'ensemble de la pompe dans un endroit bien aéré. Ne pulvérisez pas l'ensemble de la pompe.
- Modèles à essence uniquement - Ne faites jamais le plein lorsque le moteur est en marche ou chaud. Éteignez le moteur et laissez-le refroidir. L'essence est inflammable. Elle peut s'enflammer ou exposer si on en renverse sur une surface chaude.
- Modèles électriques uniquement - N'utilisez pas de peintures ayant un point d'éclair sous 38 °C (100 °F). Le point d'éclair est la température à laquelle un liquide peut produire suffisamment de vapeurs pour s'enflammer.
- Éliminez toutes les sources d'inflammation, comme les veilleuses, les cigarettes, les lampes électriques portatives et les toiles de protection en plastique (risque d'arc statique).

- Gardez la zone de travail exempte de débris, y compris des solvants, des chiffons et d'essence.
- Ne branchez ou ne débranchez pas les cordons d'alimentation, ne mettez pas l'appareil en marche, n'allumez ou n'éteignez pas les lumières lorsque des vapeurs inflammables sont présentes.
- Mettez à terre l'équipement et les objets conducteurs dans la zone de travail. Assurez-vous que la chaînette de mise à la terre est en place et touche le plancher.
- Utilisez uniquement des tuyaux mis à la terre.
- Tenez le pistolet de pulvérisation fermement contre le côté d'un seau mis à la terre lorsque vous pulvérisez dans le seau.
- S'il y a production d'étincelles statiques ou si vous ressentez un choc, arrêtez le fonctionnement immédiatement.
- Soyez au courant du contenu de la peinture et des solvants à pulvériser. Lisez toutes les fiches signalétiques (FS) et les étiquettes des récipients de peinture et de solvant. Suivez les consignes de sécurité du fabricant de peinture et du solvant.
- N'utilisez pas de peinture ou de solvant contenant des hydrocarbures hydrogénés, comme du chlore, de l'eau de Javel, un agent anti-moisissure, du chlorure de méthylène et du trichloroéthane. Ils ne sont pas compatibles avec l'aluminium. Communiquez avec le fournisseur de revêtement au sujet de la compatibilité du produit avec l'aluminium.
- Gardez un extincteur dans la zone de travail.
- Nettoyez immédiatement les matériaux tombés et le solvant déversé accidentellement, afin d'éviter les risques de glissade.
- Munissez-vous d'une protection auditive. Le bruit émis par cet appareil peut dépasser les 85 dB(A).
- Ne laissez jamais cet outil sans surveillance. Tenez-le hors de portée des enfants ou des personnes non familiarisées avec le fonctionnement des équipements sans air.
- Ne vaporisez pas à l'extérieur en cas de vent.
- L'appareil et tous ses liquides (p. ex., huile hydraulique) doivent être détruits sans danger pour l'environnement.



RISQUE : Vapeurs dangereuses

Les peintures, solvants, et autres matériaux peuvent être nocifs en cas d'inhalation ou de contact avec la peau. Les vapeurs peuvent entraîner de sérieuses nausées, des syncopes ou des empoisonnements.

PRÉVENTION :

- Pendant le travail de protection porter un masque respiratoire. Lisez attentivement toutes les instructions fournies avec le masque pour vous assurer qu'il fournit bien la protection nécessaire.
- Tous les règlements locaux en matière de protection contre les vapeurs toxiques doivent être respectés.
- Portez des protections oculaires.
- Pour protéger la peau il est nécessaire de porter des vêtements de protection, des gants et d'utiliser éventuellement une crème de protection de la peau. Observer les prescriptions des fabricants au sujet des produits de peinture, de nettoyage et des solvants pendant la préparation, la mise en oeuvre et le nettoyage du matériel.



RISQUE : Généralités -

peut entraîner des blessures sévères ou des dégâts matériels.

PRÉVENTION :

- Respectez toutes les réglementations locales et nationales concernant la ventilation, la prévention des incendies et le fonctionnement.
- Lorsque vous appuyez sur la détente, il se produit un mouvement de recul de la main qui tient le pistolet pulvérisateur. Le recul du pistolet pulvérisateur est particulièrement puissant lorsque la buse a été démontée et lorsque la pompe sans air a été réglée sur une pression élevée. Lors du nettoyage sans buse, réglez donc le bouton de contrôle de la pression sur la pression minimale.
- N'utilisez que des pièces de rechange d'origine. L'utilisateur assume tous les risques s'il utilise des pièces qui ne correspondent pas aux spécifications minimales et aux dispositifs de sécurité du fabricant de la pompe.
- Respectez TOUJOURS les consignes du fabricant du matériau pour manipuler la peinture et les solvants en toute sécurité.

1.2 Sécurité en électricité

Les modèles électriques doivent être reliés à la terre. En cas de court-circuit électrique, la mise à la terre réduit les risques de choc électrique en fournissant un fil d'échappement pour le courant électrique. Ce produit est équipé d'un câble avec un fil de mise à la terre et une fiche de mise à la terre adaptée. Branchement au réseau seulement par un point d'alimentation spécial, par exemple par un disjoncteur à courant de défaut de INF < 30 mA.



DANGER — Les travaux ou réparations sur l'équipement électrique doivent être confiés uniquement à un électricien qualifié. Nous déclinons toute responsabilité en cas d'installation inappropriée. Arrêter l'appareil. Avant toutes réparations, tirer la fiche de la prise de courant.

Danger de court-circuit par la pénétration d'eau dans l'équipement électrique. Ne jamais nettoyer le matériel avec un jet d'eau ou de vapeur sous haute pression.



N'utilisez pas une douille de 12 V sans installer une pile chargée à bloc.

Travaux et réparations sur l'équipement électrique:

Faire effectuer ces interventions uniquement par un électricien. Nous déclinons toute responsabilité dans le cas d'une installation incorrecte.

Température de fonctionnement

Cet équipement fonctionnera correctement à sa température ambiante visée, entre +10°C et +40°C au moins.

Humidité relative

Cet équipement fonctionnera correctement dans un milieu ayant une humidité relative de 50 %, à +40°C. Une humidité relative plus élevée peut être permise à des températures plus basses.

L'acheteur doit prendre des mesures afin d'éviter les effets destructeurs de la condensation accidentelle.

Altitude

Cet équipement fonctionnera correctement jusqu'à 2 100 m au-dessus du niveau moyen de la mer.

Transport et entreposage

Cet équipement résistera aux températures de transport et d'entreposage entre -25°C et +55°C et jusqu'à +70°C pour des périodes courtes, ou il est protégé pour résister à ces températures. Son emballage prévient les dommages des effets de l'humidité, de la vibration et des coups normaux.

1.3 Sécurité du moteur à essence

1. Les moteurs à essence sont conçus pour offrir un service sûr et stable à condition d'être utilisés conformément aux instructions. Lisez attentivement et assurez-vous de bien comprendre le Manuel d'utilisateur du fabricant du moteur avant d'utiliser le moteur. Dans le cas contraire, vous pourriez vous blesser ou endommager l'équipement.
2. En vue d'éviter tout risque d'incendie et de fournir une ventilation adéquate, conservez le moteur à 1 mètre (3 pieds) minimum de tout bâtiment et de tout autre équipement pendant son fonctionnement. Ne placez pas d'objets inflammables à proximité du moteur.
3. Les personnes qui n'utilisent pas l'appareil doivent s'en éloigner afin d'éviter le risque de brûlures des composantes chaudes du moteur ou le danger de blessures provenant de l'équipement utilisé pour faire fonctionner l'appareil.
4. Sachez comment arrêter rapidement le moteur, et veillez à bien comprendre le fonctionnement de toutes les commandes. N'autorisez jamais personne à utiliser le moteur sans prendre connaissance des instructions adéquates.
5. L'essence est un produit extrêmement inflammable pouvant exploser sous certaines conditions.
6. Faites le plein d'essence dans une zone suffisamment ventilée, le moteur à l'arrêt. Ne fumez pas et évitez tout flamme ou étincelle dans la zone d'alimentation en essence ou dans le lieu où est stockée l'essence.
7. Ne remplissez pas trop le réservoir d'essence. Après avoir fait le plein d'essence, assurez-vous que le couvercle du réservoir est correctement et solidement refermé.
8. Faites attention à ne pas répandre de l'essence lors du remplissage du réservoir. Les vapeurs d'essence ou l'essence répandue sont susceptibles de s'enflammer. Si vous venez à déverser de l'essence, assurez-vous que la zone est bien sèche avant de mettre le moteur en marche.
9. Ne faites jamais fonctionner le moteur dans un espace clos ou confiné. L'échappement contient du monoxyde de carbone toxique ; toute exposition pourrait occasionner une perte de connaissance, voire entraîner la mort.
10. Le pot d'échappement devient extrêmement chaud pendant le fonctionnement et reste chaud pendant un certain moment même après l'arrêt du moteur. Veillez à ne pas toucher le pot d'échappement lorsqu'il est chaud. En vue d'éviter de sérieuses brûlures ou des risques d'incendie, laissez refroidir le moteur avant de le transporter ou de le ranger à l'intérieur.
11. Ne déplacez / transportez jamais le pulvérisateur lorsqu'il y a de l'essence dans le réservoir.



N'UTILISEZ PAS cet appareil pour pulvériser de l'eau ou de l'acide.



Attention

Ne vous servez pas de la poignée du chariot pour soulever lors du chargement ou du déchargement. L'appareil est très lourd. Trois personnes sont nécessaires pour les soulever.

1.4 Ravitaillement (moteur à essence)



L'essence est extrêmement inflammable et explosive dans certaines conditions.

Spécifications du carburant

- Utilisez une essence automobile ayant un indice d'octane d'au moins 86, ou un indice d'octane recherche d'au moins 91. L'utilisation d'une essence ayant un indice d'octane inférieur peut causer un « cognement » ou une « détonation » (un bruit d'ébranlage métallique) tenace qui, s'il est grave, peut endommager le moteur.



S'il y a un « cognement » ou une « détonation » à une vitesse constante avec une charge normale, utilisez une autre marque d'essence. Si vous obtenez toujours un cognement ou une détonation, consultez un distributeur agréé du fabricant de moteurs. Le fait de ne pas suivre cette directive constitue un abus. Les dommages causés par l'abus ne sont pas couverts par la garantie restreinte du fabricant du moteur.

Il se peut que vous entendiez parfois une détonation légère pendant le fonctionnement avec des charges lourdes. Il n'y a aucune raison de s'inquiéter, cela signifie simplement que votre moteur fonctionne de façon efficace.

- L'essence sans plomb produit moins de dépôts du moteur et de la bougie, et rallonge la durée de vie des composantes du système d'échappement.
- Ne jamais utiliser de l'essence éventée ou contaminée, ou un mélange d'huile et d'essence. Évitez de laisser entrer de la saleté, de la poussière ou de l'eau dans le réservoir à essence.

Essences contenant de l'alcool

Si vous décidez d'utiliser une essence qui contient de l'alcool (gasohol), assurez-vous qu'elle a au moins un indice d'octane correspondant à celui qui est recommandé par le fabricant du moteur. Il existe deux types de « gasohol » : un type contient de l'éthanol, tandis que l'autre contient du méthanol. N'utilisez pas un gasohol qui contient plus de 10 % d'éthanol. N'utilisez pas d'essence qui contient du méthanol (alcool méthylique ou de bois), mais qui n'inclut pas également des cosolvants et des inhibiteurs de corrosion pour le méthanol. N'utilisez jamais de l'essence qui contient plus de 5 % de méthanol, même si elle contient également des cosolvants et des inhibiteurs de corrosion.



Les dommages au système d'alimentation ou les problèmes de rendement du moteur découlant de l'utilisation d'essences contenant de l'alcool ne sont pas couverts par la garantie. Le fabricant du moteur ne peut pas approuver l'utilisation d'essences contenant du méthanol étant donné que leur adaptation n'a pas encore été éprouvée.

Avant d'acheter de l'essence d'une station-service inconnue, essayez de savoir si l'essence contient de l'alcool. Si elle en contient, confirmez le type d'alcool utilisé, ainsi que le pourcentage inclus. Si vous remarquez des caractéristiques de fonctionnement indésirables lorsque vous utilisez une essence qui contient de l'alcool, ou que vous croyez qu'elle contient de l'alcool, utilisez une essence dont vous êtes certains qu'elle ne contient pas d'alcool.

2. Généralités d'utilisation

2.1 Domaines d'utilisation

Cette machine à tracer Airless est un outil de précision permettant de pulvériser de nombreux types de produits, pour une large gamme d'applications (marquage d'aires de stationnement, de chaussées, de pistes d'athlétisme). Lisez attentivement ce manuel et respectez-en les instructions d'utilisation et d'entretien ainsi que les consignes de sécurité.

2.2 Produits de revêtement

Produits utilisables



Veiller à la qualité Airless des produits utilisés.

Peintures latex, peintures pour façades, revêtements de toits et de sols, produits de protection ignifuge et anticorrosion, peintures à base de mica et de zinc, enduits à projeter de qualité Airless, colles à projeter, produits anticorrosion, revêtements épais et produits de revêtement bitumineux.

Mise en œuvre d'autres produits seulement avec l'accord de Titan.

Filtering

Malgré l'utilisation d'un filtre de haute pression, le filtrage du produit est généralement recommandé.

Bien remuer le produit, avant l'utilisation.



Si le produit est remué avec un agitateur mécanique, éviter la formation de bulles d'air dans le produit qui pourraient entraîner des arrêts de fonctionnement.

Viscosité

Le matériel permet la mise en œuvre de produits de haute viscosité.

Si les produits à haute viscosité ne sont pas aspirés, diluer conformément aux prescriptions du fournisseur.

Produits à deux composants

Respecter scrupuleusement le temps d'utilisation correspondant (vie en pot). Un temps de durcissement minimum de 45 minutes est recommandé. Rincer et nettoyer le matériel à l'intérieur de ce temps avec le produit de nettoyage adéquat.

Produits à charges abrasives

Ces produits entraînent une forte usure des vannes, flexible, pistolet et buse. La durée utile de ces éléments peut ainsi être fortement réduite.

3. Description du matériel

3.1 Le procédé Airless

Le domaine principal d'utilisation est l'application de couches épaisses de produits visqueux sur grandes surfaces avec débit élevé.

La pompe à piston aspire le produit et le refoule sous pression vers la buse. En passant par l'orifice de la buse avec une pression de maximum 22,7 MPa (227 bar) le produit est éclaté en très fines particules.

Étant donné l'absence d'air dans ce système, il est connu sous le nom „AIRLESS“ (sans air).

Ce procédé de projection comporte les avantages tels que pulvérisation très fine, peu de brouillard, surfaces lisse sans bulles. A part de ces avantages, il y a lieu de mentionner la vitesse de travail et la maniabilité.

3.2 Fonctionnement du matériel

Pour mieux comprendre le fonctionnement, voici une brève description de la conception technique:

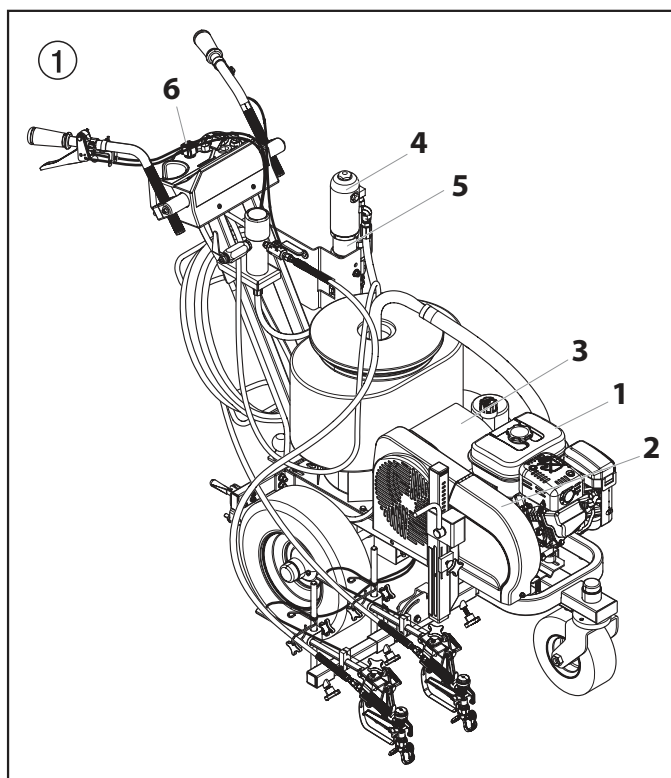
TITAN PowrLiner (PL) sont des groupes de projection à haute pression entraînés par moteur à essence ou moteur électrique.

Le moteur à essence ou moteur électrique (fig. 1, pos. 1) entraîne la pompe hydraulique (3) par l'intermédiaire de la courroie trapézoïdale sous sa protection (2). L'huile hydraulique arrive au moteur hydraulique (4) et imprime au piston de la pompe de produit (5) un mouvement de montée et de descente.

A la montée du piston la vanne d'aspiration s'ouvre automatiquement. A la descente du piston, le clapet de refoulement s'ouvre.

Le produit est refoulé sous haute pression par le flexible au pistolet où il est éclaté en passant par la buse.

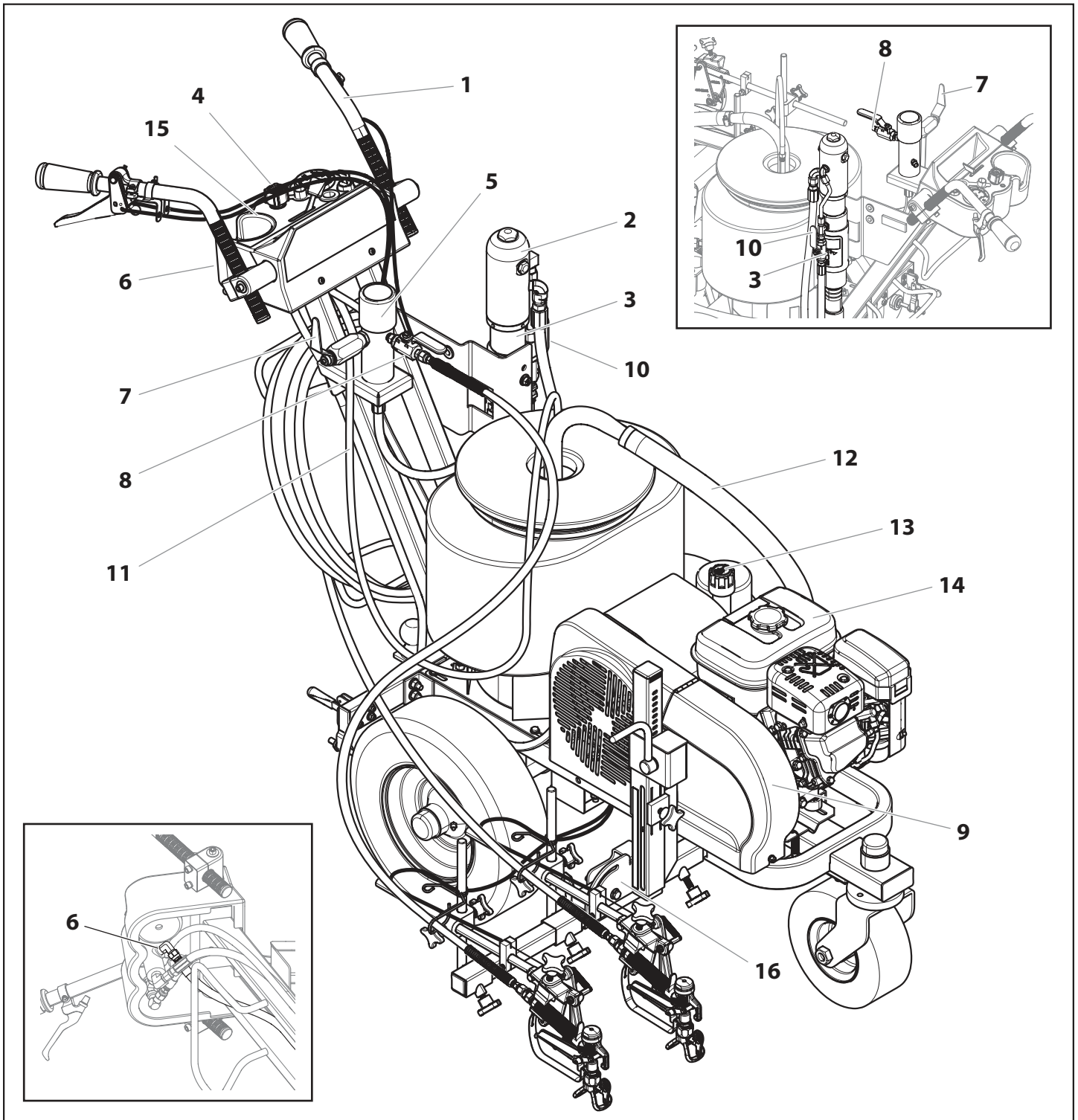
La vanne de réglage de pression (6) règle le débit ainsi que la pression de fonctionnement.



3.3 Illustration groupes PL avec moteur à essence

- 1 Poignée réglable (2)
- 2 Moteur hydraulique
- 3 Ouverture de remplissage pour le Piston Lube (le Piston Lube empêche usure rapide des garnitures)
- 4 Bouton de réglage de pression
- 5 Filtre à haute pression
- 6 Sortie du tuyau à haute pression (premier pistolet)
- 7 Poignée de la vanne de décharge
tourner à gauche ↺ circulation
tourner à droite ↻ projection

- 8 Sortie du tuyau à haute pression (deuxième pistolet)
- 9 Courroie trapézoïdale sous sa protection
- 10 Vanne à bille :
levier horizontal –
moteur hydraulique arrêté
levier vertical –
moteur hydraulique marche
- 11 Tuyau de décharge
- 12 Tube du siphon
- 13 Jauge de niveau d'huile
- 14 Moteur à essence
- 15 PowrCenter™
- 16 SmartArm™



3.4 Caractéristiques techniques

| | PL4955 | PL6955 | PL8955 |
|--|---------------------------------|---|---|
| Moteur à essence, puissance | | | |
| | 118cc, 3,5 Hp | 163cc, 4,8 Hp (démarrage électrique) | 196cc, 5,5 Hp (démarrage électrique) |
| Capacité du réservoir d'essence | | | |
| | 2,0 l | 3,1 l | 3,1 l |
| Pression de service maximale | | | |
| | 22,7 MPa (227 bar, 3300 PSI) | 22,7 MPa (227 bar, 3300 PSI) | 22,7 MPa (227 bar, 3300 PSI) |
| Niveau sonore maximum | | | |
| | 92 dB (A)* | 92 dB (A)* | 98 dB (A)* |
| Orifice de buse maximum avec un pistolet | | | |
| 1-pistolet | 0,034" – 0,86 mm | 0,050" – 1,27 mm | 0,054" – 1,37 mm |
| 2-pistolet | 0,024" – 0,61 mm | 0,033" – 0,84 mm | 0,038" – 0,96 mm |
| Débit maximum | | | |
| | 4,7 l/min | 8,5 l/min | 9,5 l/min |
| Poids | | | |
| | 147 kg | 151 kg | 154 kg |
| Viscosité maximale | | | |
| | 50.000 mPa·s | 50.000 mPa·s | 65.000 mPa·s |
| Encombrement longueur-largeur-hauteur | | | |
| | 183 cm x 107 cm x 107 cm | 183 cm x 107 cm x 107 cm | 183 cm x 107 cm x 112 cm |
| Température maximale du produit | | | |
| | 43° C | 43° C | 43° C |
| Cartouche filtrante (équipement standard) | | | |
| | 50 mailles, 56 cm ² | 50 mailles, 56 cm ² | 50 mailles, 56 cm ² |
| Capacité d'huile hydraulique | | | |
| | 5,9 l (1,56 gal) CoolFlo | 5,9 l (1,56 gal) CoolFlo | 5,9 l (1,56 gal) CoolFlo |
| Pression maximale de gonflage des pneus | | | |
| | 0,2 MPa (2 bar, 30 PSI) | 0,2 MPa (2 bar, 30 PSI) | 0,2 MPa (2 bar, 30 PSI) |
| Fouet du flexible | | | |
| | DN 6 mm, 15 m, raccord NPSM 1/4 | DN 6 mm, 15 m, raccord NPSM 1/4 | DN 6 mm, 15 m, raccord NPSM 1/4 |

* lieu de mesure: distance latéral au matériel 1 m, à 1,60 m du sol, pression de fonctionnement 120 bar (12 MPa), sol réverbérant.

4. Fonctionnement



L'équipement produit un flot de fluides à extrêmement haute pression. Lisez et comprenez les avertissements de la section des Mesures de sécurité à l'avant du manuel avant d'utiliser l'équipement.

4.1 Remplissage de la pile (PL6955 / PL8955)

En raison des règlements sur le transport, la pile du PowrLiner vous a été envoyée vide. Avant d'utiliser le PowrLiner, il faut remplir la pile d'électrolyte (acide) et la charger. Suivez les directives suivantes.



L'électrolyte de pile s'achète à la quincaillerie ou au détaillant de pièces automobile local.



L'électrolyte de pile est très dangereux. Assurez-vous de suivre toutes les mesures de précaution et toutes les mises en garde sur le contenant d'électrolyte.

Spécification de l'électrolyte

Dans les climats frais ou tempéré, achetez de l'électrolyte avec une gravité précise de 1,270 à 1,280.

Dans les climats tropicaux, achetez de l'électrolyte avec une gravité précise de 1,250 à 1,260.

Remplissage de la pile

1. Enlevez la pile du chariot.
 - a. Enlevez la trémie de 45 litres du chariot.
 - b. Dévissez et enlevez les quatre (4) vis et rondelles qui fixent la trémie au chariot. Le dessus de la pile ne devrait pas être exposé.
2. Enlevez la calotte d'étanchéité en caoutchouc de la bouche de sortie d'air du côté de la pile.
3. Remplacez la calotte d'étanchéité en caoutchouc par le tuyau d'échappement fourni (ce tuyau se trouve dans le sac de plastique contenant le mode d'emploi et les autres documents).
4. Enlevez les six (6) bouchons d'accumulateur jaunes sur le dessus de la pile.
5. Remplissez chaque orifice de remplissage de la pile d'électrolyte (voir « Spécification de l'électrolyte » ci-dessus). Remplissez la pile jusqu'au niveau supérieur indiqué sur l'étui à pile.



Attention

La température de l'électrolyte ne doit pas être inférieure à 60 °F (15 °C) ou supérieure à 86 °F (30 °C).

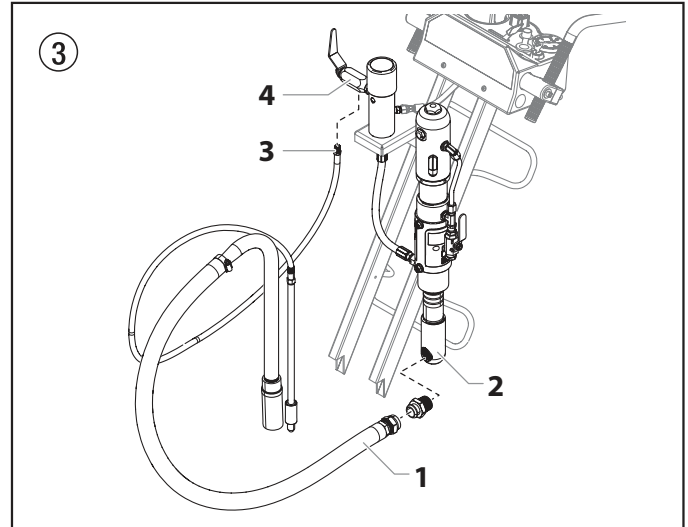
6. Laissez reposer la pile pendant au moins 30 minutes après le remplissage.
7. Après 30 minutes, vérifiez le niveau d'électrolyte. Si le niveau a baissé, remplissez-la jusqu'au niveau supérieur avant de la charger.
8. Remplacez les bouchons d'accumulateur jaunes.
9. Remplacez la trémie sur le chariot et fixez-la à l'aide des quatre (4) vis et rondelles.

Chargement de la pile

1. Faites charger la pile de trois à cinq heures jusqu'à l'équivalent approximatif actuel de 1/10e de sa capacité nominale.
 - a. Si le niveau d'électrolyte baisse après le chargement, remplissez la pile d'eau distillée jusqu'au niveau supérieur.
 - b. Après l'ajout d'eau, continuez le chargement pendant une à deux heures afin de mélanger l'eau et l'électrolyte.
2. Après le chargement, vérifiez la tension de la pile trois fois à intervalles de 30 minutes. Assurez-vous que la tension est constante au cours des trois lectures.
3. Remplacez les bouchons d'accumulateur (au besoin) et lavez l'électrolyte renversé avec de l'eau propre.

4.2 Installation

1. Assurez-vous que le tuyau d'aspiration (fig. 3, pos. 1) est bien relié à la section des liquides (2) et que le tuyau de décharge (3) est bien relié à la soupape de décharge (4).



2. Installation de la barre de support du pistolet.

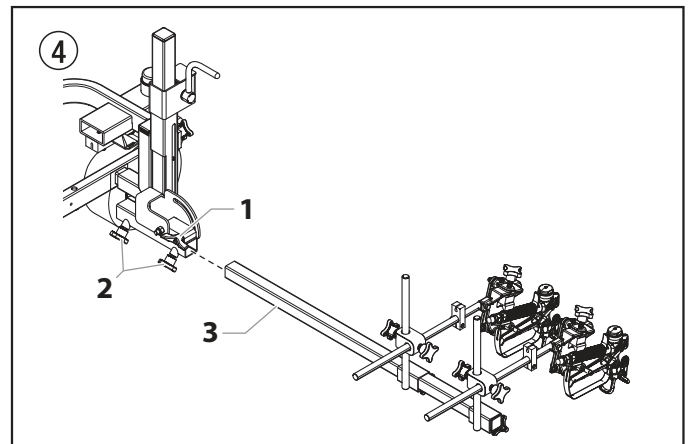


Le pistolet vaporisateur, le tuyau et les câbles sont montés sur la barre de support du pistolet en usine.

- a. Desserrez la poignée de serrage d'inclinaison (fig. 4, pos. 1) et abaissez la barre du support à pistolet en place.
- b. Desserrez les pinces de la barre de support (2).
- c. Glissez la barre de support du pistolet (3) sur le chariot.
- d. Resserrez les pinces de la barre de support (2) pour garantir que la barre de support du pistolet est bien en place.



La barre du support devra être plus basse que le châssis du chariot pour lui permettre de glisser dans le châssis.



La barre de support du pistolet et le(s) pistolet(s) vaporisateur(s) peuvent être montés de n'importe quel côté du pulvérisateur.

3. Positionnez le premier pistolet vaporisateur.
 - a. Libérez le câble de déclenchement du collier de tension.



Attention

Veillez à toujours libérer le câble de déclenchement du collier de tension avant de régler la position du pistolet vaporisateur.

- b. Desserrez les pinces de la barre de support et glissez la barre de support du pistolet dans la position horizontale souhaitée.
- c. Desserrez la pince du prolongateur du pistolet et glissez le pistolet vaporisateur dans la position verticale souhaitée.



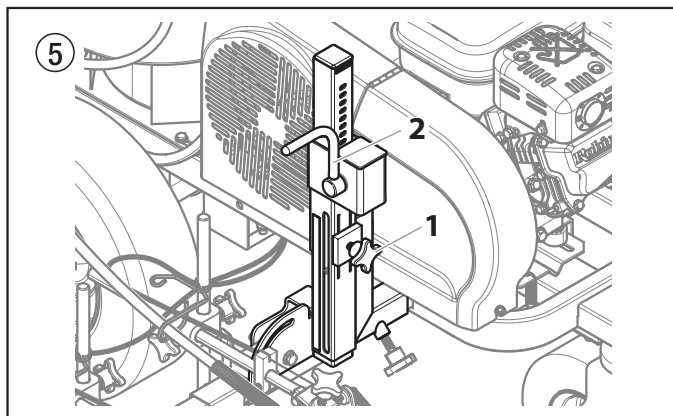
La longueur du pistolet vaporisateur influe sur la largeur de la pulvérisation (c'est-à-dire, plus le pistolet est petit, plus la largeur de la ligne est petite). La taille de la buse influe également sur la largeur de la ligne.

4. Répétez les étapes 3a à 3c pour le deuxième pistolet de pulvérisation.



Il est recommandé d'installer les deux pistolets de pulvérisation à la même hauteur comme point de départ. La hauteur des pistolets peut être réglée individuellement selon les besoins de pulvérisation (c.-à-d. pulvérisation d'une bordure ou pulvérisation de deux lignes de largeurs différentes).

5. Lorsque les deux pistolets sont installés, leur position verticale peut être réglée simultanément.
 - a. Desserrez la poignée de serrage verticale du support (fig. 5, pos. 1) sur le tuyau élévateur.
 - b. Tournez la manivelle (2) pour régler la hauteur générale des pistolets de pulvérisation.
 - c. Lorsque les pistolets sont à la hauteur désirée, serrez la poignée de serrage verticale du support (1).



6. Réglez le bouton de la gâchette en vue d'obtenir une vaporisation de qualité (fig. 6). La poignée de droite déclenche le pistolet ou les pistolets. Le bouton de la gâchette doit être réglé pour le premier pistolet, les deux pistolets, ou le deuxième pistolet seulement.



Attention

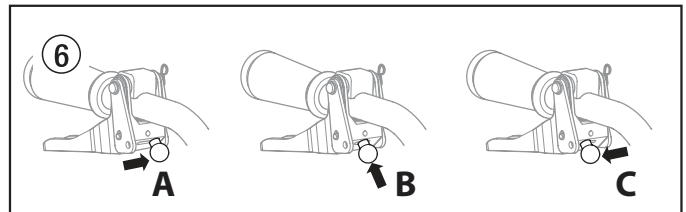
Tournez toujours le verrou de détente du pistolet vaporisateur en position verrouillage avant d'ajuster le bouton de la gâchette. En outre, libérez le câble de déclenchement de son bloc en le soulevant et en le sortant. Un bref déclenchement du pistolet interviendra lors de la libération du câble de déclenchement.



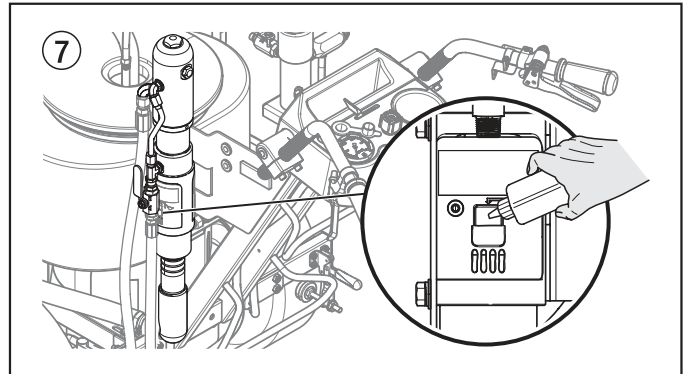
S'il y a de la friction excessive dans le dispositif de levage/d'inclinaison pendant le fonctionnement, pulvérisez du lubrifiant de graphite sec sur les tuyaux.

- a. **Premier pistolet** — Pour utiliser le premier pistolet, positionnez le sélecteur à gauche. Poussez le levier vers l'intérieur du cadre jusqu'à ce que la goupille engage la plaque gauche.
- b. **Les deux pistolets** — Pour utiliser les deux pistolets, positionnez le sélecteur au centre. Poussez le levier vers la position centrale jusqu'à ce que la goupille engage les deux plaques. La goupille doit bien engager les deux plaques.

- c. **Deuxième pistolet** — Pour utiliser le deuxième pistolet, positionnez le sélecteur à droite. Eloignez le levier de l'intérieur du cadre jusqu'à ce que la goupille engage la plaque droite.



7. Remplissez la coupelle d'huile à moitié avec de l'huile Piston Lube (n° de pièce 314-480), ceci permet d'accroître la durée de vie de l'équipement.



Attention

Piston Lube empêche l'usure prématurée des garnitures.

8. Contrôlez tous les jours le niveau de fluide avant de lancer l'appareil. Le niveau de liquide hydraulique doit atteindre la marque « Full » de la jauge.



Attention

Dans le système hydraulique, vous devez impérativement employer un liquide hydraulique approuvé par Titan (Titan Coolflo, n° de pièce 430-361). N'utilisez aucun autre liquide hydraulique, il pourrait gravement endommager le circuit hydraulique et annuler la garantie.

9. Modèles du moteur à essence - Contrôlez tous les jours le niveau d'huile dans le réservoir avant de démarrer l'appareil. Le niveau d'huile du moteur à essence est déterminé par le fabricant du moteur. Consultez le manuel d'entretien du fabricant du moteur fourni avec ce modèle.
10. Dans le cas des modèles électriques, utilisez une prise de courant de 20 ampères. Placez toujours le modèle électrique de 3 à 4,5 mètres de la prise de courant. Servez-vous d'un câble électrique court et d'un long tuyau de pulvérisation. L'ajout d'une rallonge électrique diminuera la tension. Si une rallonge est nécessaire, utilisez uniquement une rallonge mise à la terre à trois fils no 12.



Modèles électriques uniquement - N'utilisez pas de peintures ayant un point d'éclair sous 38 °C (100 °F). Le point d'éclair est la température à laquelle un liquide peut produire suffisamment de vapeurs pour s'enflammer.

11. Vérifiez que l'appareil est bien relié à la terre. Tous les pulvérisateurs sont munis d'une chaîne de mise à la terre. Assurez-vous que la chaîne touche le sol. Vérifiez les règlements locaux en matière d'alimentation pour connaître les directives détaillées de mise à la terre.



Il est important de correctement relier l'appareil à la terre. Ceci vaut aussi bien pour les modèles à essence que les modèles électriques. Le passage de certains matériaux dans le tuyau en nylon produit une charge électrique statique qui peut enflammer les vapeurs de solvant lorsqu'elle est déchargée et peut créer une explosion.

12. Filtrez toutes les peintures avec un filtre en nylon pour un fonctionnement sans problème et pour éviter d'avoir à nettoyer fréquemment le filtre interne et le filtre du pistolet.
13. Vérifiez que la zone de vaporisation est bien ventilée pour empêcher tout fonctionnement dangereux avec des solvants volatils ou des fumées d'échappement.

4.3 Préparation d'un nouveau vaporisateur

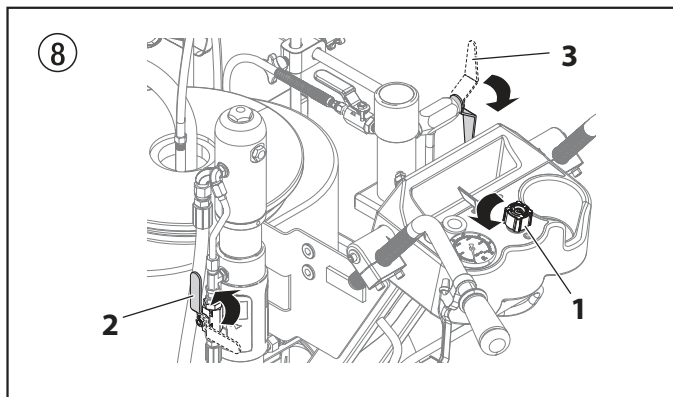
S'il s'agit d'un nouvel appareil, il est livré avec du liquide de test dans la section des liquides pour éviter la corrosion durant le transport et le stockage. Ce fluide doit être soigneusement vidangé du circuit à l'aide d'essences minérales avant de commencer à vaporiser.



Attention

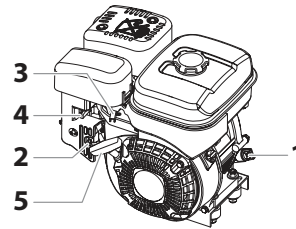
Verrouillez toujours la gâchette sur le pistolet vaporisateur pendant la préparation du circuit.

1. Placez le tuyau du siphon dans un conteneur d'essences minérales.
2. Placez le tuyau de décharge dans un conteneur de déchets en métal.
3. Réglez la pression au minimum en tournant au maximum le bouton de réglage de pression (fig. 8, pos. 1) dans le sens inverse des aiguilles d'une montre.
4. Ouvrez la vanne d'arrêt hydraulique (2) située sur le tuyau de pression hydraulique. La poignée doit être alignée avec le tuyau.
5. Ouvrez la soupape de décharge (3) en la tournant complètement dans le sens inverse des aiguilles d'une montre.



6. Démarrer le moteur à essence ou moteur électrique.
 - a. Pour faire démarrer le moteur à essence (fig. 9) :
 - placez la manette de vanne de carburant (2) en position ouverte,
 - placez le levier de papillon d'accélération (3) au milieu,
 - placez le levier d'étranglement (4) en position fermée pour un moteur froid ou en position ouverte pour un moteur chaud.
 - mettez la clé de contact (1) sur ON et
 - tirez fermement sur la corde du démarreur (5) jusqu'à ce que le moteur démarre ou tenez et tournez la clé du démarreur électrique vers « Démarrer » jusqu'à ce que le moteur démarre (PL6955/PL8955 uniquement)
 - b. Afin de démarrer le moteur électrique, déplacez l'interrupteur pour qu'il soit en position MARCHE.

9



7. Tournez le bouton de réglage de pression dans le sens des aiguilles d'une montre et vers le bas d'1/3 environ pour accroître la pression jusqu'à ce que les cycles de vaporisation soient réguliers et que le solvant s'écoule sans problème du tuyau de décharge.
8. Laissez le vaporisateur tourner pendant 15 à 30 secondes pour vidanger le liquide de test du tuyau de vidange vers le conteneur de déchets.
9. Éteignez l'appareil.
 - a. Pour éteindre le moteur à essence :
 - réglez la pression au minimum en tournant au maximum le bouton de réglage de pression dans le sens inverse des aiguilles d'une montre,
 - placez le levier de papillon d'accélération en position lente, et
 - tournez l'interrupteur du moteur sur OFF.
 - b. Afin d'éteindre le moteur électrique,
 - réglez la pression au minimum en tournant au maximum le bouton de réglage de pression dans le sens inverse des aiguilles d'une montre,
 - déplacez l'interrupteur pour qu'il soit en position ARRÊT.

4.4 Préparation avant de peindre

Avant de peindre, il est important de s'assurer que le liquide du circuit est compatible avec la peinture qui va être utilisée.



Les liquides et peintures incompatibles peuvent boucher les soupapes et obliger l'utilisateur à démonter et nettoyer la section des liquides du vaporisateur.



Attention

Verrouillez toujours la gâchette sur le pistolet vaporisateur pendant la préparation du circuit.

1. Placez le tuyau du siphon dans un conteneur du solvant approprié.



Si vous vaporisez du latex aqueux, rincez à l'eau propre et tiède. Si vous utilisez un autre matériau, renseignez-vous auprès du fabricant du matériau au sujet du solvant compatible.

2. Placez le tuyau de décharge dans un conteneur de déchets en métal.
3. Réglez la pression au minimum en tournant au maximum le bouton de réglage de pression (fig. 8, pos. 1) dans le sens inverse des aiguilles d'une montre.
4. Ouvrez la vanne d'arrêt hydraulique (2) située sur le tuyau de pression hydraulique. La poignée doit être alignée avec le tuyau.
5. Ouvrez la soupape de décharge (3) en la tournant complètement dans le sens inverse des aiguilles d'une montre.
6. Démarrer le moteur à essence ou moteur électrique.
 - a. Pour faire démarrer le moteur à essence (fig. 9) :
 - placez la manette de vanne de carburant (2) en position ouverte,
 - placez le levier de papillon d'accélération (3) au milieu,
 - placez le levier d'étranglement (4) en position fermée pour un moteur froid ou en position ouverte pour un moteur chaud.
 - mettez la clé de contact (1) sur ON et
 - tirez fermement sur la corde du démarreur (5) jusqu'à ce que le moteur démarre ou tenez et tournez la clé du démarreur

- électrique vers « Démarrer » jusqu'à ce que le moteur démarre (PL6955/PL8955 uniquement)
- b. Afin de démarrer le moteur électrique, déplacez l'interrupteur pour qu'il soit en position MARCHE.
7. Tournez le bouton de réglage de pression dans le sens des aiguilles d'une montre et vers le bas d'1/3 environ pour accroître la pression jusqu'à ce que les cycles de vaporisation soient réguliers et que le solvant s'écoule sans problème du tuyau de décharge.
 8. Laissez le vaporisateur tourner pendant 15 à 30 secondes pour vidanger le liquide de test du tuyau de vidange vers le conteneur de déchets.
 9. Éteignez l'appareil.
 - a. Pour éteindre le moteur à essence :
 - réglez la pression au minimum en tournant au maximum le bouton de réglage de pression dans le sens inverse des aiguilles d'une montre,
 - placez le levier de papillon d'accélération en position lente, et
 - tournez l'interrupteur du moteur sur OFF.
 - b. Afin d'éteindre le moteur électrique,
 - réglez la pression au minimum en tournant au maximum le bouton de réglage de pression dans le sens inverse des aiguilles d'une montre,
 - déplacez l'interrupteur pour qu'il soit en position ARRÊT.

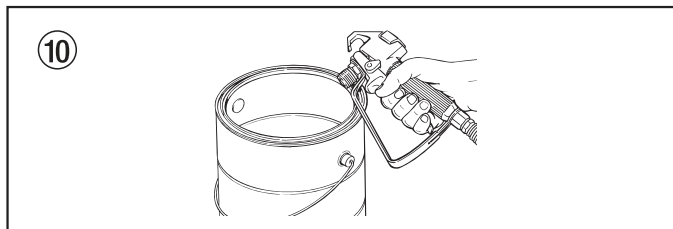


Assurez-vous qu'aucun embout ou protecteur d'embout n'est installé sur le pistolet vaporisateur.

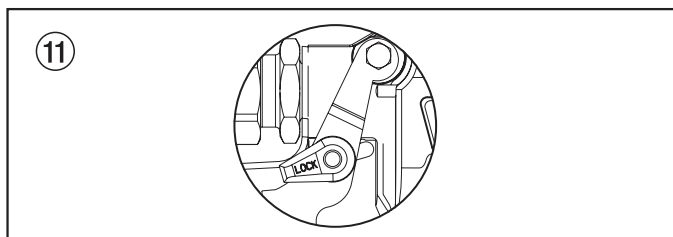
10. Fermez la soupape de décharge en la tournant complètement dans le sens des aiguilles d'une montre.
11. Démarrer le moteur à essence ou moteur électrique.
12. Tournez le bouton de réglage de pression dans le sens des aiguilles d'une montre et vers le bas d'1/3 environ pour accroître la pression.
13. Débloquez le pistolet en faisant passer la gâchette du pistolet vers la position de déblocage.



Reliez le pistolet à la terre en le maintenant contre le bord du conteneur en métal lors du rinçage. Si cette précaution n'est pas respectée, il peut se former une décharge électrique statique pouvant à son tour provoquer un incendie.



14. Déclenchez le pistolet dans le conteneur de déchets en métal jusqu'à ce que le solvant usagé soit vidangé et que du solvant frais sorte du pistolet.
15. Bloquez le pistolet en faisant passer la gâchette du pistolet vers la position de blocage (fig. 11).



16. Augmentez la pression en tournant lentement et au maximum le bouton de réglage de pression dans le sens des aiguilles d'une montre.

17. Vérifiez si le système ne présente pas de fuite. En cas de fuite, suivez la « Procédure de décharge de pression » décrite dans ce manuel avant de serrer les raccords ou les tuyaux.
18. Suivez la « Procédure de décharge de pression » (section 4.6) décrite dans ce manuel avant de passer du solvant à la peinture.



Assurez-vous de bien suivre la Procédure de décharge de pression lorsque vous arrêtez l'appareil pour une raison quelconque, y compris lors de l'entretien ou du réglage d'une pièce du circuit de vaporisation, du remplacement ou du nettoyage des embouts de vaporisation, ou lors de la préparation au nettoyage.

4.5 Peinture

1. Placez le tuyau de siphon dans un conteneur de peinture.
2. Placez le tuyau de décharge dans un conteneur de déchets en métal.
3. Réglez la pression au minimum en tournant au maximum le bouton de réglage de pression (fig. 8, pos. 1) dans le sens inverse des aiguilles d'une montre.
4. Ouvrez la vanne d'arrêt hydraulique (2) située sur le tuyau de pression hydraulique. La poignée doit être alignée avec le tuyau.
5. Ouvrez la soupape de décharge (3) en la tournant complètement dans le sens inverse des aiguilles d'une montre.
6. Démarrer le moteur à essence ou moteur électrique.
 - a. Pour faire démarrer le moteur à essence (fig. 9) :
 - placez la manette de vanne de carburant (2) en position ouverte,
 - placez le levier de papillon d'accélération (3) au milieu,
 - placez le levier d'étranglement (4) en position fermée pour un moteur froid ou en position ouverte pour un moteur chaud.
 - mettez la clé de contact (1) sur ON et
 - tirez fermement sur la corde du démarreur (5) jusqu'à ce que le moteur démarre ou tenez et tournez la clé du démarreur électrique vers « Démarrer » jusqu'à ce que le moteur démarre (PL6955/PL8955 uniquement)
 - b. Afin de démarrer le moteur électrique, déplacez l'interrupteur pour qu'il soit en position MARCHE.
7. Tournez le bouton de réglage de pression dans le sens des aiguilles d'une montre et vers le bas d'1/3 environ pour accroître la pression jusqu'à ce que les cycles de vaporisation soient réguliers et que la peinture s'écoule sans problème du tuyau de décharge.
8. Éteignez l'appareil.
 - a. Pour éteindre le moteur à essence :
 - réglez la pression au minimum en tournant au maximum le bouton de réglage de pression dans le sens inverse des aiguilles d'une montre,
 - placez le levier de papillon d'accélération en position lente, et
 - tournez l'interrupteur du moteur sur OFF.
 - b. Afin d'éteindre le moteur électrique,
 - réglez la pression au minimum en tournant au maximum le bouton de réglage de pression dans le sens inverse des aiguilles d'une montre,
 - déplacez l'interrupteur pour qu'il soit en position ARRÊT.
9. Démontez le tuyau de purge du conteneur de déchets et placez-le dans le conteneur de peinture.
10. Fermez la vanne de purge en la tournant au maximum, dans le sens des aiguilles d'une montre.
11. Démarrer le moteur à essence ou moteur électrique.
12. Tournez le bouton de réglage de pression dans le sens des aiguilles d'une montre et vers le bas d'1/3 environ pour accroître la pression.
13. Débloquez le pistolet en faisant passer la gâchette du pistolet vers la position de déblocage.



Reliez le pistolet à la terre en le maintenant contre le bord du conteneur en métal lors du rinçage. Si cette précaution n'est pas respectée, il peut se former une décharge électrique statique pouvant à son tour provoquer un incendie.

Fonctionnement

14. Déclenchez le pistolet dans le conteneur de déchets en métal jusqu'à ce que le solvant et l'air soient vidangés et que de la peinture sorte du pistolet.
15. Bloquez le pistolet en faisant passer la gâchette du pistolet vers la position de blocage (fig. 10).
16. Éteignez l'appareil.
17. Fixez la protection d'embout au pistolet comme indiqué sur la protection d'embout ou sur les manuels d'embouts.



RISQUE ÉVENTUEL D'INJECTION. Ne vaporisez pas si la protection d'embout n'est pas montée. Ne déclenchez jamais le pistolet si l'embout n'est pas en position de vaporisation ou débouché. Engagez toujours le verrouillage de la gâchette du pistolet avant de démonter, de remplacer ou de nettoyer l'embout.

18. Démarrer le moteur à essence ou moteur électrique.
19. Augmentez la pression en tournant lentement le bouton de réglage de la pression dans le sens des aiguilles d'une montre et testez la forme de vaporisation sur un bout de carton. Ajustez le bouton de réglage de pression jusqu'à ce que le pistolet soit complètement atomisé.



Si vous augmentez la pression au-delà de la pression nécessaire pour atomiser la peinture, vous pouvez provoquer une usure prématurée des embouts et une vaporisation excessive.

4.6 Procédure de décharge de pression



Assurez-vous de bien suivre la procédure de décharge de pression lorsque vous arrêtez l'appareil pour une raison quelconque, y compris lors de l'entretien ou du réglage d'une pièce du circuit de vaporisation, du remplacement ou du nettoyage des embouts de vaporisation ou lors de la préparation au nettoyage.

1. Bloquez le pistolet en faisant passer la gâchette du pistolet vers la position de blocage.
2. Éteignez l'appareil.
 - a. Pour éteindre le moteur à essence :
 - réglez la pression au minimum en tournant au maximum le bouton de réglage de pression dans le sens inverse des aiguilles d'une montre,
 - placez le levier de papillon d'accélération en position lente, et
 - tournez l'interrupteur du moteur sur OFF.
 - b. Afin d'éteindre le moteur électrique,
 - réglez la pression au minimum en tournant au maximum le bouton de réglage de pression dans le sens inverse des aiguilles d'une montre,
 - déplacez l'interrupteur pour qu'il soit en position ARRÊT.
3. Fermez la vanne d'arrêt hydraulique située sur le tuyau de pression hydraulique.
4. Débloquez le pistolet en faisant passer la gâchette du pistolet vers la position de déblocage.
5. Maintenez fermement la partie métallique du pistolet contre un conteneur de déchets en métal pour décharger l'électricité statique du pistolet.
6. Enclenchez le pistolet pour éliminer toute pression résiduelle dans le tuyau.
7. Bloquez le pistolet en faisant passer la gâchette du pistolet vers la position de blocage.
8. Placez le tuyau de décharge dans un conteneur de déchets en métal.
9. Ouvrez la vanne de purge en la tournant au maximum dans le sens contraire des aiguilles d'une montre.

4.7 Fonctionnement de la roulette avant

La roulette avant du chariot est conçue pour suivre le pulvérisateur en ligne droite ou lors de déplacements libres. Tout en restant à l'arrière du pulvérisateur, la détente située sur la poignée gauche du chariot permet de contrôler le fonctionnement de la roulette avant.

1. Pour verrouiller la roulette avant en position ligne droite, pressez puis relâchez la détente de la roulette et faites avancer le pulvérisateur.
2. Pour que la roulette avant s'adapte aux mouvements libres, appuyez et maintenez la détente de la roulette.

4.8 Pliage de la barre du support de pistolet de pulvérisation

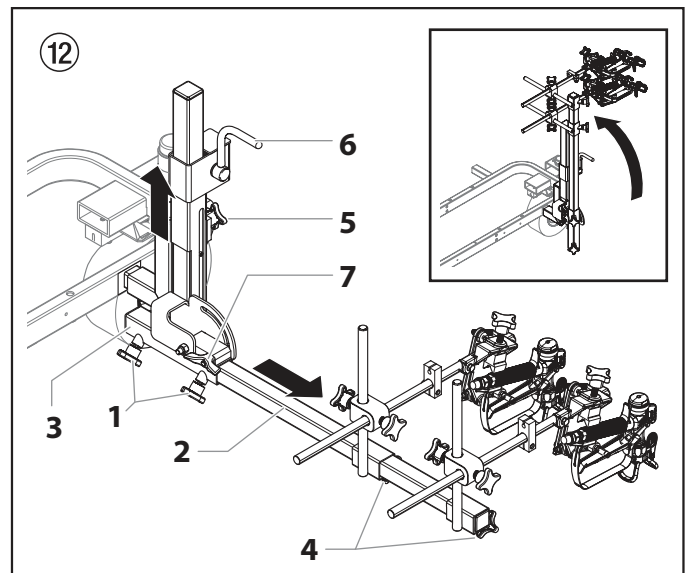
La barre du support de pistolet de pulvérisation peut être levée verticalement afin de rendre le pulvérisateur plus petit pour l'entreposage. Il n'est pas nécessaire d'enlever les pistolets de pulvérisation ou les tuyaux de pulvérisation. Suivez les étapes ci-dessous :

1. Desserrez les brides de la barre du support (fig. 12, pos. 1). Éloignez la barre du support (2), sur laquelle sont encore fixés les ensembles de support à pistolet et les pistolets de pulvérisation, du chariot le plus loin possible sans l'enlever complètement.



La barre du support doit demeurer dans le manchon d'inclinaison (3) de façon à ce que les deux brides de la barre du support puissent s'enclencher.

2. Serrez les brides de la barre du support (1). Les deux brides doivent être enclenchées dans la barre du support (2).
3. Desserrez les brides du support à pistolet (4) et glissez les deux pistolets de pulvérisation le plus près possible du bout.
4. Desserrez la poignée de serrage verticale du support (5) sur le tuyau élévateur. Tournez la manivelle (6) de façon à ce que l'ensemble de la barre du support soit élevé le plus possible. Serrez la poignée de serrage verticale du support (5).



5. Desserrez la poignée d'inclinaison (7). Soulevez soigneusement la barre du support à une position verticale.



Danger de pincement. Assurez-vous de garder les doigts éloignés de toutes les pièces en mouvement. Assurez-vous qu'aucun tuyau ou câble ne soit pincé par les pièces en mouvement.

6. Serrez la poignée d'inclinaison (7) pour la fixer en place.

5. Nettoyage



Le pulvérisateur, le tuyau et le pistolet doivent être soigneusement nettoyés tous les jours après utilisation. Le non-respect de ces consignes peut mener à une agglutination du matériau et donc considérablement endommager la performance de l'appareil.



Lorsque vous utilisez des essences minérales ou tout autre solvant pour nettoyer le vaporisateur, le tuyau ou le pistolet, vaporisez toujours à la pression minimale avec l'embout du pistolet démonté. L'accumulation d'électricité statique peut entraîner un incendie ou une explosion en présence de vapeurs inflammables.

5.1 Consignes spéciales de nettoyage lors de l'utilisation du pistolet avec des solvants inflammables

- Rincez toujours le pistolet pulvérisateur de préférence à l'extérieur et au moins à une longueur de tuyau de la pompe de pulvérisation.
- Si vous recueillez les solvants vidangés dans un conteneur en métal d'un gallon (environ 3,780 litres), placez celui-ci dans un conteneur vide de 5 gallons (environ 19 litres), puis vidangez les solvants.
- La zone doit être totalement débarrassée de vapeurs inflammables.
- Respectez toutes les consignes de nettoyage.

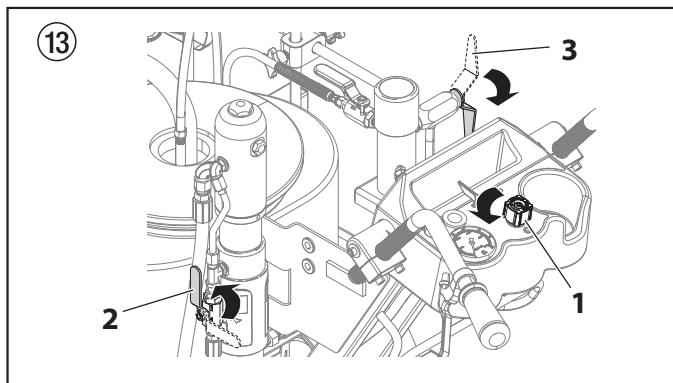
5.2 Nettoyage du pulvérisateur

1. Suivez la « Procédure de décharge de pression » décrite au paragraphe Fonctionnement de ce manuel (section 4.6).
2. Démontez l'embout du pistolet et la protection d'embout puis procédez au nettoyage en utilisant une brosse et un solvant approprié.
3. Placez le tuyau du siphon dans un conteneur du solvant approprié.



Utilisez des solvants compatibles lors du nettoyage de peintures laquées, de laques, de peinture à base de brai et d'époxy. Vérifiez auprès du fabricant du liquide le solvant recommandé pour ce liquide

4. Placez le tuyau de décharge dans un conteneur de déchets en métal.
5. Réglez la pression au minimum en tournant au maximum le bouton de réglage de pression (fig. 13, pos. 1) dans le sens inverse des aiguilles d'une montre.
6. Fermez la vanne d'arrêt hydraulique (2) située sur le tuyau de pression hydraulique. La poignée doit être alignée avec le tuyau.
7. Ouvrez la vanne de purge (3) en la tournant au maximum, dans le sens contraire des aiguilles d'une montre.



8. Démarrer le moteur à essence ou moteur électrique.
9. Laissez le solvant circuler dans l'appareil et vidangez la peinture par le tuyau de purge dans le conteneur de déchets en métal.
10. Éteignez l'appareil.
11. Fermez la vanne de purge en la tournant au maximum, dans le sens des aiguilles d'une montre.
12. Démarrer le moteur à essence ou moteur électrique.



Reliez le pistolet à la terre en le maintenant contre le bord du conteneur en métal lors du rinçage. Si cette précaution n'est pas respectée, il peut se former une décharge électrique statique pouvant à son tour provoquer un incendie.

13. Déclenchez le pistolet dans le conteneur de déchets en métal jusqu'à ce que la peinture soit vidangée et que du solvant sorte du pistolet.
14. Continuez à déclencher le pistolet dans le conteneur de déchets en métal jusqu'à ce que le solvant sortant du pistolet soit propre.



Pour un stockage prolongé ou dans des conditions climatiques froides, pompez de l'essence minérale dans tout le circuit.

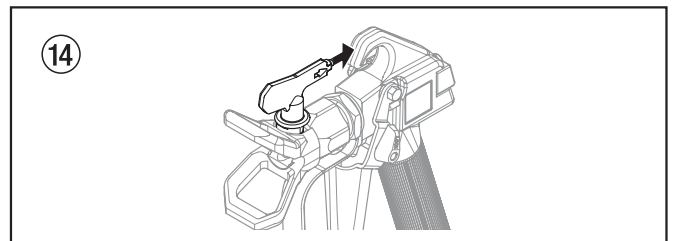
15. Suivez la « Procédure de décharge de pression » décrite au paragraphe Fonctionnement de ce manuel.
16. Conservez l'outil dans un endroit sec et propre.



Ne stockez pas l'appareil sous pression.

5.3 Nettoyage d'une buse obstruée

1. Suivez la « Procédure de décharge de pression » décrite au paragraphe Fonctionnement du présent manuel.
2. Si la buse est obstruée, faites tourner la poignée de la buse à 180° jusqu'à ce que la flèche figurant sur la poignée indique l'opposé de la direction de pulvérisation et que la poignée s'enclenche en position inversée.



3. Appuyez une fois sur la détente du pistolet pour que la pression débouche la buse. N'appuyez JAMAIS deux fois de suite sur la détente lorsque la buse est dans la position inversée. Cette procédure peut être répétée jusqu'à ce que la buse ne soit plus obstruée.



Le flux sortant de la buse de pulvérisation est à très forte pression. Tout contact avec une quelconque partie du corps peut s'avérer dangereux. Ne mettez pas de doigt sur l'embout du pistolet. Ne visez personne avec le pistolet. N'utilisez jamais le pistolet pulvérisateur sans disposer du protège-embout approprié.

6. Entretien



Avant de continuer, suivez la procédure de réduction de pression précédemment exposée dans ce manuel. Respectez également tous les autres avertissements afin de minimiser les risques de blessures dus à des projections ou à des pièces mobiles ou les risques de décharge électrique. Débranchez toujours le pulvérisateur avant de procéder à son entretien !

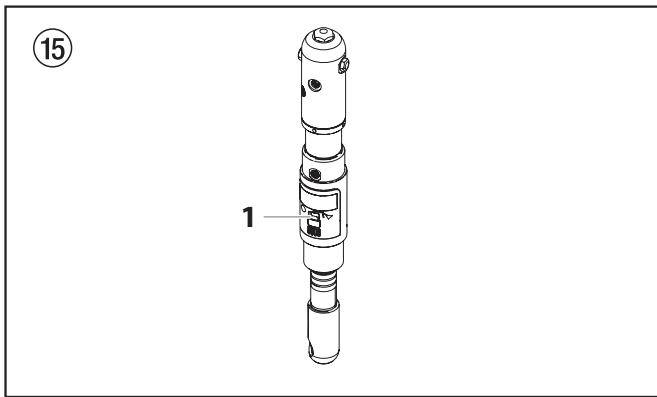
6.1 Entretien quotidien

Deux procédures quotidiennes sont requises afin de procéder à l'entretien régulier de ce pulvérisateur.

- Lubrification des garnitures supérieures.
- Nettoyage de la crépine.

A) Lubrification des garnitures supérieures

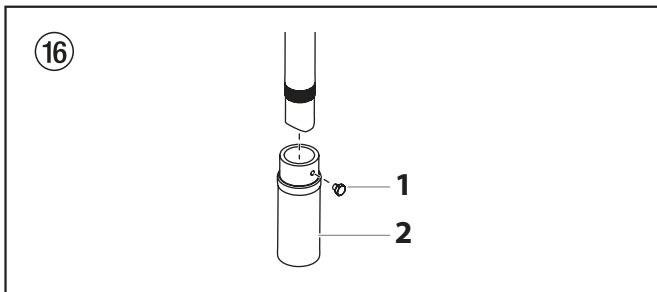
- Ôtez la peinture qui a coulé derrière les garnitures supérieures dans le collecteur d'huile (fig. 15, pos. 1) situé au-dessus de la section des liquides.
- Remplissez le collecteur d'huile à moitié avec de l'huile Piston Lube (n° de pièce 314-480) fournie par le fabricant. Cela permet d'accroître la durée de vie de l'équipement.



Ne remplissez pas trop le collecteur d'huile de façon à éviter que l'huile ne déborde et ne se déverse dans la peinture.

B) Nettoyage de la crépine

- La crépine s'obstrue et doit être nettoyée au moins une fois par jour.
- Desserrez l'écrou (fig. 16, pos 1) qui relie la crépine au tube du siphon.
- Extrayez la crépine (2) du bas du tube du siphon.
- Nettoyez-le soigneusement avec le solvant adéquat.



6.2 Entretien du filtre

Nettoyez régulièrement le filtre. Les filtres sales ou obstrués peuvent réduire de manière considérable la capacité filtrante de l'appareil et occasionner un certain nombre de problèmes dans le système (faible pulvérisation, buses obstruées, etc).

Nettoyage (fig. 17)

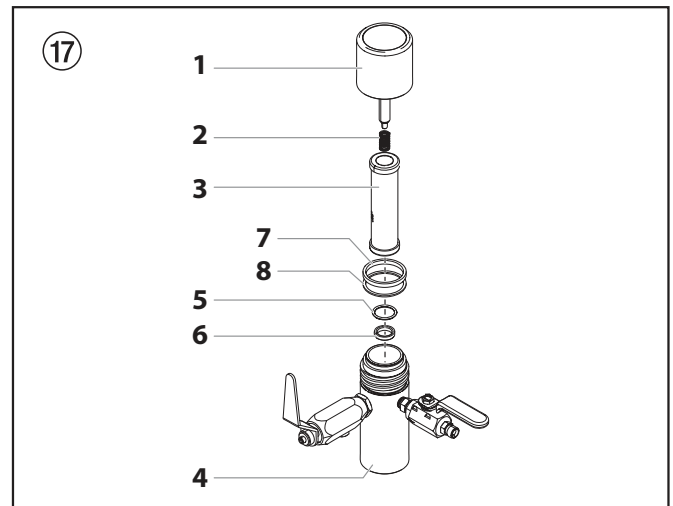
Pour nettoyer le filtre, veuillez suivre la procédure qui suit :

- Suivez la « Procédure de décharge de pression » décrite au paragraphe Fonctionnement du présent manuel.
- Ôte le bouchon (1) et le ressort (2) du filtre.
- Ôtez l'élément à bille (3) du filtre par le haut du corps du filtre (4).
- Nettoyez à l'intérieur du corps du filtre, l'élément à bille et le bouchon au moyen d'un solvant approprié.



Manipulez les pièces avec soin car toute impureté, saleté, rayure ou encoche peut empêcher les joints toriques ou les joints d'adhérer.

Cet élément filtre depuis l'intérieur vers l'extérieur. Veillez à nettoyer soigneusement l'intérieur de l'élément du filtre. Trempez-le dans le solvant de manière à ramollir la peinture sèche ou remplacez-le.



Inspection (fig. 17)

Inspectez toutes les pièces du filtre avant de le remonter.

- Inspectez la bille à l'intérieur de l'élément du filtre. Si la bille présente des coupures ou des rayures liées à la pression, remplacez l'élément du filtre.
 - Si la bille est coupée, retirez le joint torique en PTFE (5) à l'aide d'un extracteur de joint torique et retirez le siège en carbure (6).
 - Vérifiez que le siège ne comporte ni encoches ni rainures. Si le siège est endommagé, remplacez-le.



Si vous le retirez, le joint torique en PTFE sera endommagé et devra être remplacé.

- Retirez le ressort (2) de son guide situé dans le bouchon du filtre.
 - Mesurez la longueur du ressort non compressé. S'il mesure moins de 1,9 cm (3/4") d'une extrémité à l'autre, remplacez-le.
 - Poussez le ressort dans son guide afin qu'il s'enclenche à sa place.
- Inspectez les deux joints en PTFE (7,8) et le joint torique en PTFE (5) afin de détecter toute éventuelle déformation, encoche ou coupure. Le cas échéant, remplacez-les.



Les joints en PTFE, le joint torique en PTFE et le ressort sont inclus dans le Kit de maintenance du filtre n° de pièce 930-050.

Remontage (fig. 17)

Après avoir nettoyé et inspecté toutes les pièces, rassemblez le filtre.

1. Placez le siège en carbure (6) dans le corps du filtre (4). Assurez-vous que le côté biseauté du siège est dirigé vers le haut.
2. Placez le joint torique en PTFE (5) dans la rainure du diamètre extérieur du siège en carbure (6).
3. Placez l'élément à bille (3) dans le corps du filtre (4).



Le haut et le bas de l'élément à bille sont identiques.

4. Si ce n'est déjà fait, poussez le ressort (2) dans son guide situé dans le bouchon du filtre (1) jusqu'à ce qu'il s'enclenche à sa place.
5. Placez le joint en PTFE (8) fin sur le pas en haut du corps du filtre (4).
6. Placez le joint en PTFE (7) épais sur le joint fin (8).
7. Serrez le bouchon du filtre (1) au corps du filtre (4).

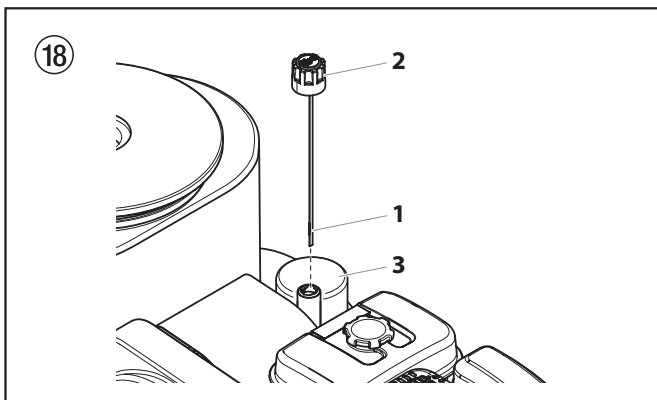
6.3 Entretien du système hydraulique



Attention

Dans le système hydraulique, vous devez impérativement employer un liquide hydraulique approuvé par Titan (Titan Coolflo, n° de pièce 430-361). N'utilisez aucun autre fluide hydraulique. L'emploi de tout autre fluide hydraulique risque de gravement endommager le système hydraulique et annulera la garantie.

1. Vérifiez le liquide fluide hydraulique tous les jours. Il doit atteindre la marque « Full » de la jauge. Si son niveau est insuffisant, ajoutez impérativement du fluide hydraulique approuvé par Titan (Titan Coolflo, n° de pièce 430-361). N'ajoutez ni ne changez le fluide hydraulique si vous n'êtes pas dans un lieu propre dénué de poussière. La pollution du fluide hydraulique diminue la durée de vie de la pompe hydraulique et annule la garantie.



2. Changez le fluide hydraulique tous les douze mois. Drainez l'ancien fluide du réservoir et remplissez-le de 5,9 (6,25 qt.) litres de fluide hydraulique. Faites marcher le pulvérisateur à une pression suffisante pour faire fonctionner la section des liquides. Faites tourner le pulvérisateur à basse pression pendant 5 minutes. Cela permet d'évacuer l'air du système. Vérifiez le niveau du fluide au terme de cette procédure. Ne remplissez pas trop le réservoir.



Lorsque vous remplacez le filtre hydraulique (3) au cours du changement de fluide, il peut s'avérer utile d'ajouter jusqu'à un litre supplémentaire de fluide hydraulique.

3. Le système hydraulique est doté d'un filtre hydraulique externe remplaçable. Changez le filtre tous les douze mois.
4. L'entretien de la pompe hydraulique ne doit pas s'effectuer sur place. Si la pompe hydraulique nécessite un entretien, elle doit être renvoyée à Titan.

6.4 Entretien de la section des fluides

Si le pulvérisateur doit ne pas être utilisé pendant une longue période, il est conseillé, suite au nettoyage, d'introduire un mélange de kérosène et huile faisant office de conservateur. Les garnitures tendent à sécher lorsqu'elles ne sont pas utilisées. Cela s'applique notamment à l'ensemble des garnitures supérieures pour lesquelles il est recommandé de recourir à Piston Lube (n° de pièce 314-480) pour une utilisation normale.

Si le pulvérisateur n'a pas été utilisé pendant une longue période, il peut s'avérer utile d'amorcer la pompe avec un solvant. Il est extrêmement important que les filets du raccord du tuyau d'aspiration soient correctement fixés. Toute fuite d'air pourrait occasionner un fonctionnement irrégulier du pulvérisateur et pourrait endommager le système. Les courses ascendantes et descendantes doivent être approximativement similaires en terme de temps (l'une ne doit pas être plus rapide que l'autre). Une course ascendante ou descendante trop rapide pourrait indiquer la présence d'air dans le système ou un mauvais fonctionnement de la soupape ou des sièges (reportez-vous à la section consacrée au dépannage).

6.5 Entretien de base du moteur (moteur à essence)

- Pour obtenir des informations détaillées sur l'entretien du moteur ou des spécifications techniques, reportez-vous au deuxième manuel du moteur à essence.
- Tout entretien du moteur doit être réalisé par un revendeur agréé par le fabricant du moteur.
- Utilisez une huile pour moteur de qualité premium. Il est conseillé d'utiliser la 10W30 pour une utilisation générale quelque soit la température. D'autres viscosités peuvent être requises sous d'autres climats.
- Utilisez uniquement une bougie d'allumage (NGK) BP6ES / BPR6E. Ecartez les électrodes de 0,028 à 0,031 pouces (de 0,7 à 0,8 mm). Utilisez toujours une clé à bougie.

Tous les jours

1. Vérifiez le niveau d'huile du moteur et remplissez le réservoir si besoin est.
2. Vérifiez le niveau d'essence du moteur et remplissez le réservoir si besoin est.



Suivez toujours la procédure de ravitaillement précédemment exposée dans ce manuel.

Les 20 premières heures

1. Changez l'huile du moteur.

Toutes les 100 heures

1. Changez l'huile du moteur.
2. Nettoyez le collecteur de dépôt.
3. Nettoyez et re-réglez la bougie d'allumage.
4. Nettoyez le pare-étincelles.

Toutes les semaines

1. Retirez le couvercle du filtre à air et nettoyez l'élément. Dans les environnements très poussiéreux, vérifiez le filtre quotidiennement. Remplacez l'élément le cas échéant. Les pièces de rechange peuvent être achetées auprès de votre revendeur local du fabricant de moteur.

Fonctionnement et entretien du moteur

1. Nettoyez les filtres à air et à huile du moteur à essence toutes les 25 heures ou une fois par semaine. Ne laissez pas la peinture ou les saletés s'accumuler sur la grille d'entrée d'air du volant du moteur à essence. Nettoyez-la régulièrement. La durée de vie et l'efficacité du moteur à essence dépend de son bon entretien. Changez l'huile du moteur toutes les 100 heures. Tout manquement à ces consignes peut occasionner une surchauffe du moteur. Consultez le manuel d'entretien qui vous est fourni par le fabricant du moteur.
2. Pour économiser de l'essence et accroître la durée de vie et l'efficacité du pulvérisateur, faites fonctionner le moteur à essence au régime moteur le plus bas lui permettant de tourner sans forcer et de fournir la quantité de peinture requise. Un régime moteur plus élevé n'est pas synonyme de

pression de travail plus grande. Le moteur à essence est relié à la pompe hydraulique par le biais d'une association de poulies destinées à fournir un maximum de peinture à un régime moteur maximum.

- La garantie sur les moteurs à essence se limite au fabricant d'origine.

6.6 Remplacement des balais de moteur (moteur électrique de 120 V facultatif, PL4955 uniquement)

Le Convertokit électrique de 120 V est disponible par achat distinct.



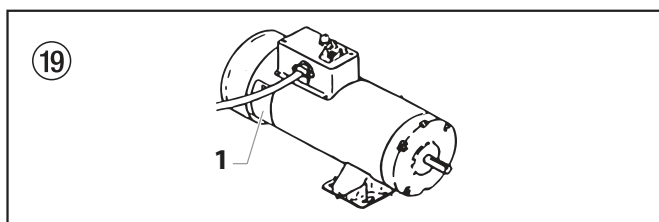
Pendant l'installation du Convertokit de 120 V, attachez le devant du PowrLiner pour l'empêcher de basculer vers l'arrière.

Suivez ces directives en se servant de la trousse de remplacement des balais de moteur (no de pièce 978-050). La trousse contient deux brosses, deux ressorts et deux agrafes.

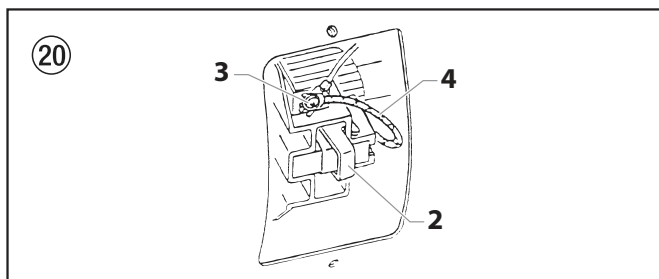


Les brosses devraient être remplacées lorsqu'elles sont usées à moins de 1,25 cm. Vérifiez et remplacez les deux brosses au même moment.

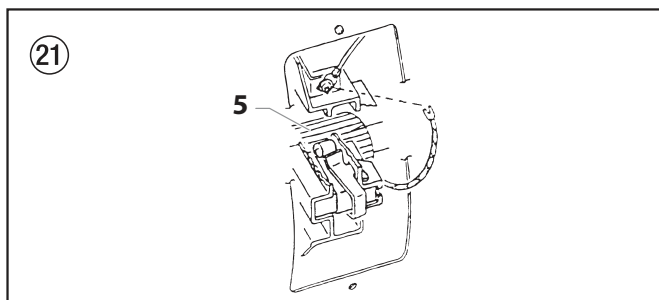
- Retirez les deux couvercles d'inspection (1) sur le moteur.



- Appuyez sur l'agrafe-ressort (2) afin de le dégrafer, ensuite retirez-le.
- Dévisser la vis de serrage (3). Retirez la broche de raccordement (4) de la brosse, mais laissez le câble du moteur en place. Retirez la brosse et le ressort.



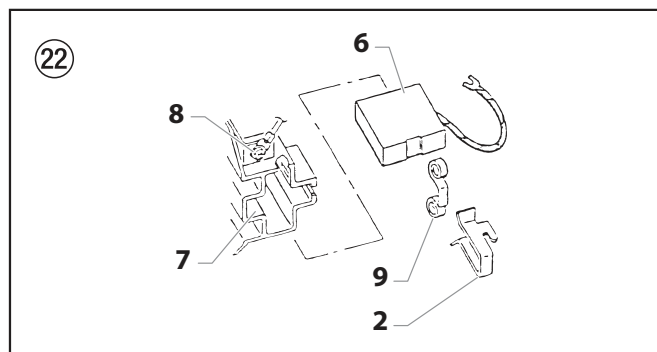
- Inspectez le commutateur (5) pour des signes de brûlures, de piqûres de corrosion excessive ou de gougeage. Il est normal que le commutateur soit noir.



- Installez la nouvelle brosse (6) de façon à ce que sa broche de raccordement se glisse dans la longue fente du porte-balai (7).

Poussez la borne sous la rondelle de la borne (8). Assurez-vous que le câble de moteur est encore connecté à la vis. Serrez la vis.

- Placez le ressort (9) sur la brosse (6) tel qu'illustré ci-dessus. Appuyez sur l'agrafe-ressort (2) et agrafez-le. Répétez la procédure pour l'autre côté.



- Réinstaller les deux couvercles d'inspection.



Si le moteur électrique se surcharge et arrête de fonctionner, arrêtez IMMÉDIATEMENT le moteur et suivez la procédure de décompression dans la section Nettoyage du présent manuel. Attendez que le moteur se refroidisse (environ 30 minutes). Appuyez ensuite sur le couvercle en bulle, le bouton de réenclenchement manuel, mettez le moteur en marche et mettez le système en pression.

6.7 Réglage de la trajectoire de la roulette avant

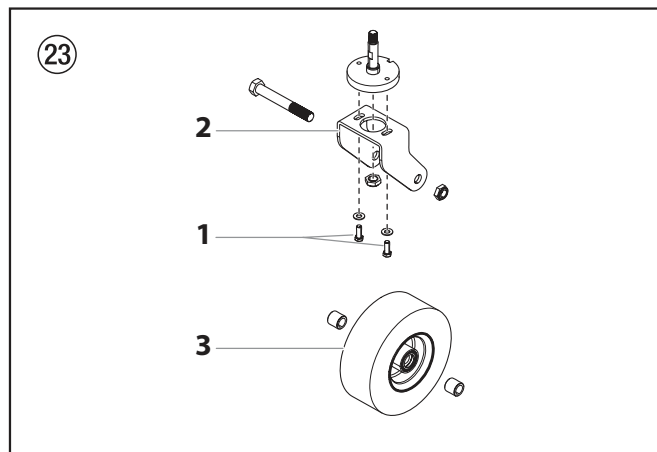
La roulette avant est réglée par l'usine pour suivre une ligne droite. Utilisez la procédure qui suit si un réglage de la roulette s'avère nécessaire.

- Desserrez les deux vis hexagonales (1) situées sur le collier de fixation (2) de la roulette.
- Tournez légèrement le collier de fixation (2) de la roulette dans la direction souhaitée.



La goupille d'arrêt de la roulette avant doit être engagée pendant le réglage de la trajectoire.

- Serrez les deux vis hexagonales.
- Vérifiez la trajectoire de la roulette avant. Si la roulette ne suit pas une ligne droite, recommencez la procédure ci-avant.



6.8 Remplacement de la courroie (Fig. 24)



Avant de remplacer la courroie de votre appareil, assurez-vous d'avoir suivi la procédure de décompression illustrée dans la section Fonctionnement du présent manuel. NE tentez PAS d'effectuer cette réparation pendant que l'appareil est en marche.



Les images ci-dessous illustrent un appareil muni d'un moteur à essence. Toutes les directives de cette section s'appliquent à la fois aux modèles ayant un moteur à essence et aux modèles ayant un moteur électrique, sauf lorsqu'il est indiqué autrement.

1. Desserrez le bouton (1) à l'avant du protège-courroie. Levez le devant du protège-courroie (2) afin d'exposer le devant de la courroie (3).
2. Levez doucement le devant du moteur à essence/moteur électrique. Cela réduira la tension de la courroie et facilitera son enlèvement.



DANGER DE PINCEMENT. Assurez-vous que vos doigts ne touchent pas la plaque de fixation du moteur à essence/moteur électrique.

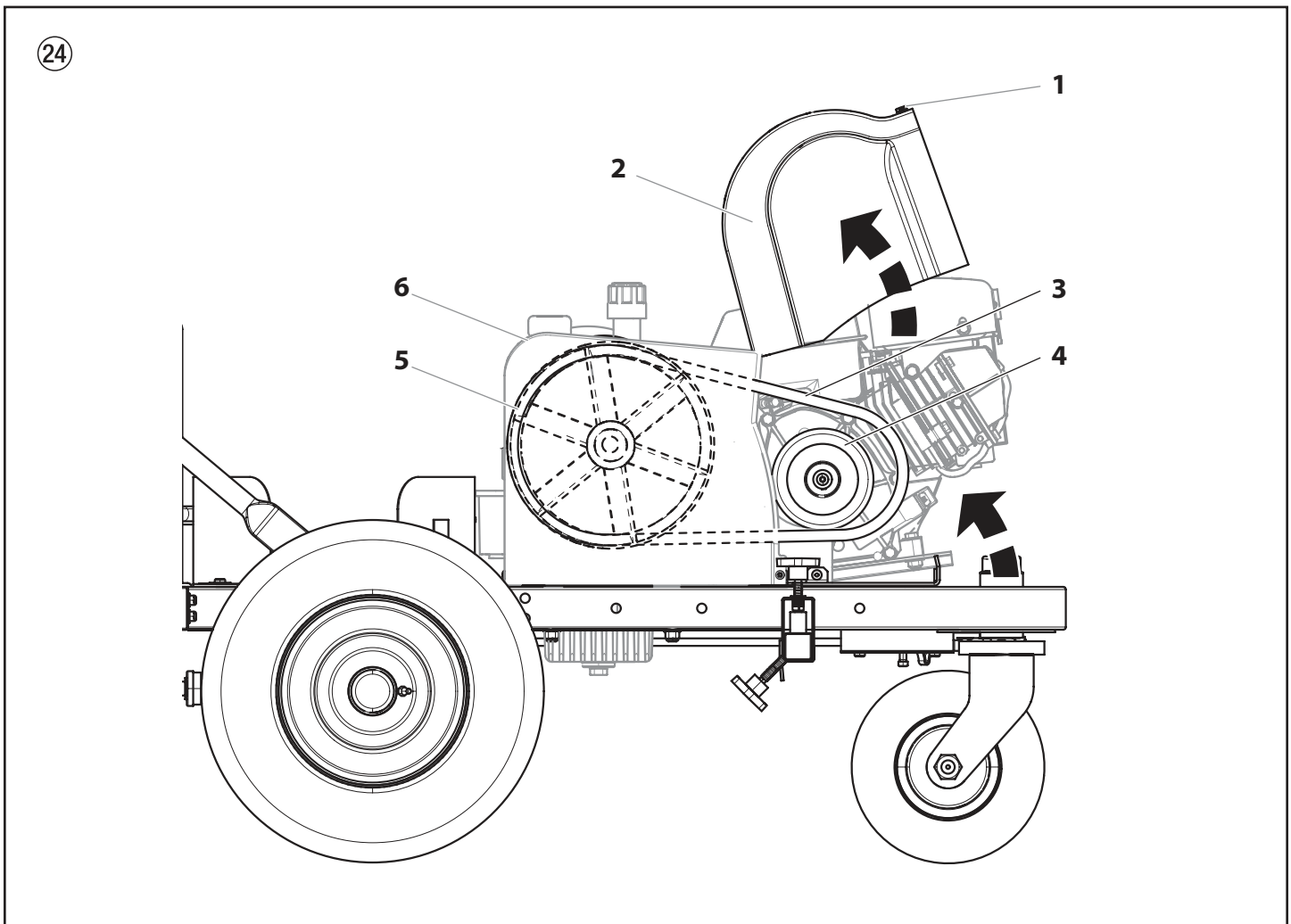
DANGER DE BRÛLURE. Assurez-vous de laisser le moteur à essence se refroidir suffisamment avant de le toucher.



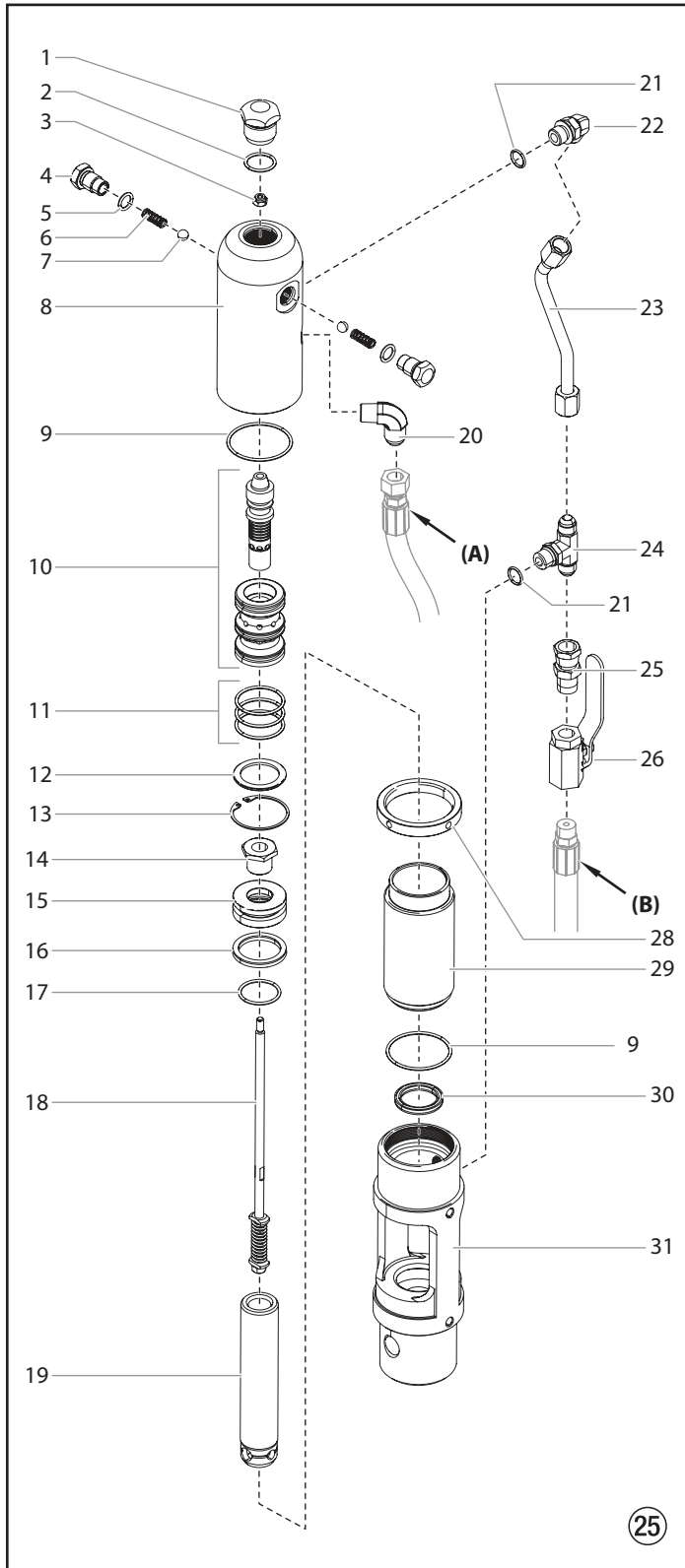
Attention

Assurez-vous que la courroie n'est pas pincée ou tordue de quelque façon que ce soit une fois que le moteur à essence/électrique est remis en place.

3. Lorsque le moteur à essence/électrique est levé, retirez la courroie des poulies avant (4) et arrière (5).
4. Installez la nouvelle courroie :
 - a. Insérez la courroie dans la section fixe du protège-courroie (6). Passez la courroie autour de la poulie arrière (5) jusqu'à ce que la courroie entre dans la gorge de poulie.
 - b. Levez doucement le devant du moteur à essence/moteur électrique.
 - c. En levant le devant du moteur à essence/électrique, passez l'autre bout de la courroie autour de la poulie avant (4).
 - d. Abaissez doucement le moteur à essence/électrique. Le poids du moteur à essence/électrique créera de la tension dans la courroie et l'empêchera de tomber.
- e. Fermez le protège-courroie (2) et serrez le bouton du protège-courroie (1).



6.9 Entretien du moteur hydraulique (fig. 23)



Consultez la procédure « Installation du raccord SAE du joint torique » à la fin de la section afin d'obtenir les directives d'installation de les articles 22 et 24.

Réalisez cette procédure au moyen des pièces nécessaires fournies dans le kit d'entretien du moteur - mineur (n° de pièce 235-050). Si le moteur hydraulique est prêt à fonctionner, démarrez la machine et placez la tige du piston (19) dans sa position la plus haute.



L'entretien du moteur hydraulique doit uniquement s'opérer dans un lieu propre, dénué de toute poussière. Toute poussière ou particule métallique laissée dans le moteur ou s'y introduisant lors du remontage peut endommager les pièces critiques et affecter la durée de vie et la garantie de l'appareil. Toutes les pièces doivent être inspectées afin d'assurer une propreté absolue.

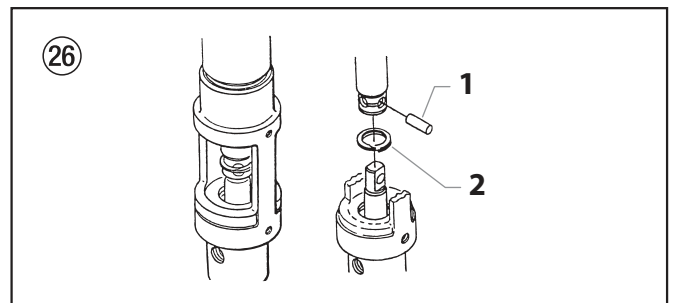
Démontage du moteur hydraulique

1. Déconnectez le tuyau de pression (B) du coude situé à l'arrière de la pompe hydraulique.
2. Retirez les deux vis de montage et les deux rondelles de blocage qui relient l'unité moteur/pompe au support de la pompe du chariot.
3. Placez l'unité moteur/pompe dans un étau, en la maintenant fortement par le bloc moteur/pompe (31).
4. Retirez la fiche de la tête du cylindre (1).
5. Desserrez la bague de retenue (28) à l'aide d'une tricoise et détachez l'écrou de retenue du tube du raccord en T (24). Desserrez l'écrou de retenue du tube situé sur le coude (22). Faites glisser l'écrou vers le bas. Retirez le tube moteur (23). Ôtez doucement la tête du cylindre (8) et levez-la assez haut au-dessus du cylindre (29) pour atteindre la tige de soupape (18) avec les pinces de l'étau.
6. La tige du piston (19) doit se situer à proximité du haut de sa course pour le démontage. Il peut s'avérer utile d'utiliser un conducteur en bois ou en nylon pour pousser la tige du piston jusqu'à sa position la plus haute.
7. Saisissez fortement la tige de déclenchement avec les pinces de l'étau puis retirez l'écrou de blocage souple FlexLoc (3) du dessus de la tige de manœuvre (18). Veillez à ce que le tiroir (10) ne tombe pas. La tête du cylindre (8) peut désormais être ôtée par le haut. Dégagez le cylindre (29) du bloc moteur/pompe (31).



Une bague de retenue supplémentaire (28) peut être utilisée pour joindre les deux bagues de retenue sur le cylindre et une clé à tuyau peut être utilisée pour dégager le cylindre (29) du bloc moteur/cylindre (31).

8. Pour retirer la goupille de connexion (fig. 26, pos. 1), faites glisser la bague de retenue (2) vers le bas à l'aide d'un petit tournevis puis ôtez la goupille de connexion en la poussant.



9. Retirez la tige du piston du bloc moteur/pompe (31).
10. Retirez le joint de tige (30) en faisant particulièrement attention à ne pas rayer la rainure pour joint du bloc moteur/pompe (31).
11. Placez la vis de retenue du piston (14) sur la tige du piston dans un étau. Faites glisser une longue barre par le trou situé à la base de la tige du piston pour faire levier, puis dégagez la tige du piston de la vis de retenue du piston.
12. Ôtez le piston (19) et retirez la tige de déclenchement en la soulevant (18).
13. Retirez le joint du piston (16) et le joint torique (17).
14. Retirez les dispositifs de retenue du déclenchement (4), les ressorts de déclenchement (6), et les billes (7) de la tête du cylindre (8). Retirez les joints toriques (5) des dispositifs de retenue du déclenchement (4).

15. Ôtez la bague de retenue (13) et le dispositif de retenue du manchon (12). Faites doucement sortir l'ensemble tiroir/manchon (10) de la tête du cylindre (8) à l'aide d'une tige en bois ou en nylon.
16. Inspectez la tige du piston (19) et le cylindre (29) pour détecter toute éventuelle usure, rayure ou entaille. Remplacez-les s'ils sont endommagés.
17. Inspectez la soupape à tiroir (10) pour surveiller l'usure. Remplacez si nécessaire. La soupape à tiroir doit pouvoir bouger doucement et librement sans forcer en demeurant dans un plan vertical. Si ce n'est pas le cas, le moteur peut caler.

Remontage du moteur hydraulique

1. Tiroir/manchon séparé (10). Placez les joints toriques (11) sur le manchon. Lubrifiez les joints toriques avec du liquide hydraulique. Enfoncez doucement le manchon dans la tête du cylindre (8), le côté le plus plat du manchon vers l'extérieur. Utilisez une tige en nylon pour enfoncer le manchon jusqu'à ce qu'il atteigne une profondeur correcte. N'utilisez pas d'autre type d'outil qui pourrait endommager le manchon ou encore laisser des particules ou des résidus sur le manchon. Installez le tiroir dans le haut de la tête du cylindre, dans le manchon.



N'utilisez pas le lubrifiant Piston Lube destiné aux garnitures de la pompe. Il s'agit d'un solvant qui pourrait gravement endommager les joints et les joints toriques du moteur hydraulique.

2. Installez les joints toriques (5) sur les dispositifs de retenue de la course (4). Installez les billes de retenue de la course (7) puis les ressorts (6) qui, une fois installés, maintiendront le tiroir/manchon (10) en place pour le montage.
3. Installez la bague de retenue du manchon (12) puis le circlip (13) dans la tête du cylindre (8) ; ce dernier permettra de maintenir le manchon de la soupape. Installez le joint torique (9) dans la rainure pour joint torique de la tête du cylindre.
4. Remplacez le joint inférieur (30) du bloc moteur/pompe (31). Assurez-vous que la portion ouverte du siège soit bien tournée vers le haut (V). Ce joint ne requiert pas d'outil particulier.
5. Placez la tige du piston (19) dans l'étau. Inspectez la tige de la soupape (18) en vue de détecter tout dégât éventuel. Assurez-vous que l'écrou de blocage situé au bas de la tige de la soupape (20) est bien fixé. Ne l'enlevez PAS. Ensuite, insérez dans la tige du piston (19) comme le montre l'illustration. Installez le joint torique (17), en le lubrifiant bien, et remettez le piston (15) sur la tige du piston (19). Versez une goutte de Loctite bleue sur la vis de retenue du piston (14). Serrez la vis de retenue du piston jusqu'à ce que le piston soit bien en place. Vérifiez la tige de la soupape (18) pour observer l'action normale du ressort à ce moment là.
6. Installez le joint du piston (16), lèvres vers le bas. Installez soigneusement le joint torique (17). Étendez la bague et adaptez-la pour l'installer.
7. Le bloc moteur/pompe (31) toujours dans l'étau, installez le joint inférieur (30) en le poussant vers sa rainure à l'aide d'une tige dont la taille est adaptée. Terminez ensuite l'installation avec les doigts. Aucun outil n'est nécessaire. Ne tordez pas le joint.
8. Pré-lubrifiez le piston et la tige de soupape avec un fluide hydraulique (Titan Coolflo, n° de pièce 430-361). Installez la tige du piston (19) dans le bloc moteur/pompe (31) en poussant doucement et en faisant tourner pour que la tige du piston rentre bien dans le joint (30).

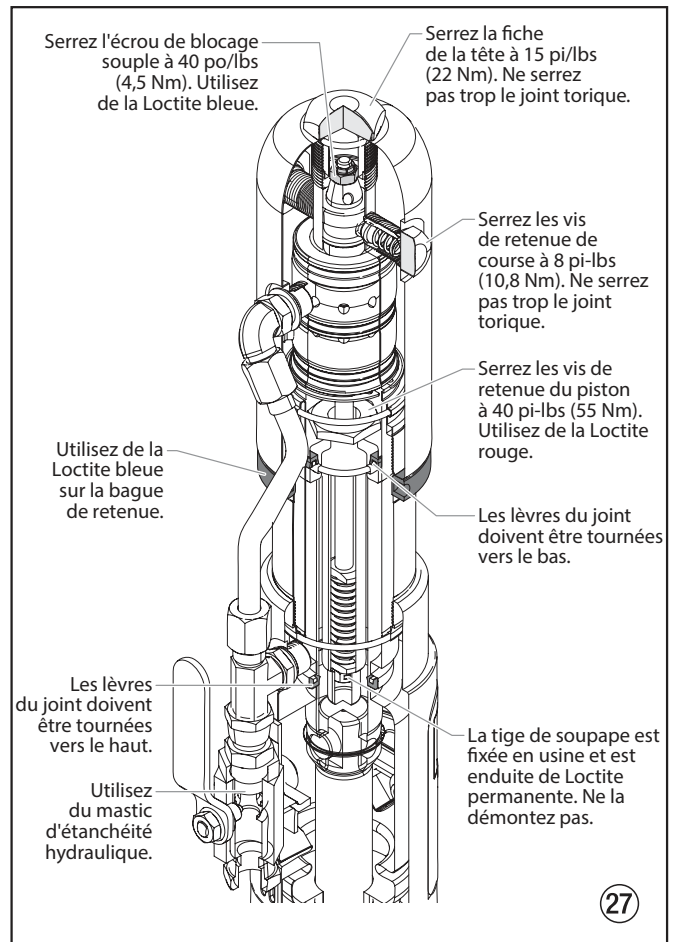


Assurez-vous qu'il n'y a pas de bords coupants au bas de la tige du piston (19) qui pourraient endommager le joint du piston pendant l'installation sur le bloc moteur/pompe (31).

9. Remplacez la goupille de la tige de connexion et la bague de retenue.
10. Installez le joint torique (9) sur la paroi du cylindre. Lubrifiez la bague et la paroi intérieure. En maintenant fortement la tige du piston, le cylindre peut être doucement guidé autour du joint du piston au moyen d'un maillet en caoutchouc. Vissez fermement le cylindre dans le bloc moteur/pompe (31).
11. Soulevez la tige du piston (19) en haut et vissez complètement la bague de retenue (28) jusqu'aux filetages supérieurs du cylindre (29).

12. Tirez sur la tige de soupape (18) vers le haut aussi loin que possible et saisissez-la avec les pinces de l'étau. Installez ensuite la tête du cylindre (8), déjà assemblée, sur la tige de soupape jusqu'à ce que les filetages de la tige de soupape passent par le haut du tiroir/manchon (10). Les filetages de la tige de soupape doivent être propres et dénués de toute trace d'huile. Placez une goutte de Loctite bleue sur les filetages de l'écrou de blocage souple (3) et l'écrou fileté sur la tige de soupape en position totalement serrée (ne serrez pas trop) tout en maintenant la tige de soupape en dessous au moyen des pinces de l'étau.
13. Vissez la tête du cylindre (8) vers le bas sur le cylindre (29) puis vers l'arrière juste assez pour remonter les raccords hydrauliques et le tube moteur (23). Serrez la bague de retenue avec une tricoise pour maintenir la tête du cylindre en place.
14. Installez un joint torique (2) sur la fiche de la tête du cylindre (1). Serrez.

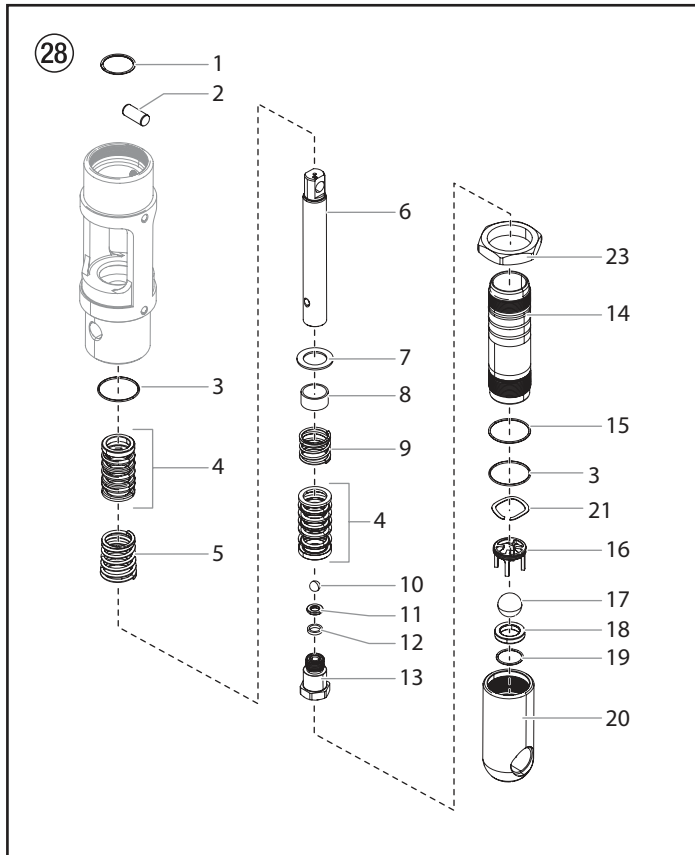
Coupage du moteur hydraulique



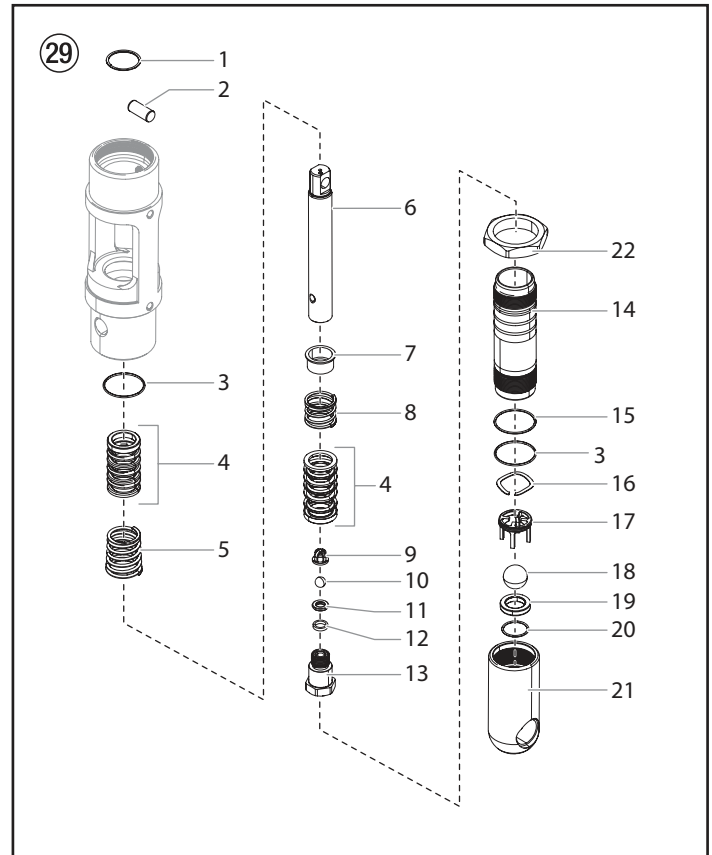
27

6.10 Maintenance de la section des liquides

PL4955



PL6955 / PL8955



Attention

L'utilisation de pièces de rechange autres que celles fournies par Titan peut entraîner l'annulation de la garantie. Demandez des pièces d'origine de Titan pour une meilleure maintenance. Ces pompes doivent être régulièrement entretenues après 1 000 heures d'utilisation environ. Un entretien précoce est nécessaire s'il y a des fuites importantes dans la garniture supérieure ou si la course ascendante ou descendante de la pompe devient trop rapide. L'utilisation du lubrifiant Piston Lube de Titan (n° de pièce 314-480) est conseillée pour lubrifier la garniture supérieure. Ne remplacez pas ce lubrifiant par de l'huile, de l'eau ou un solvant pour lubrifier la garniture supérieure.



Les numéros entre parenthèses font référence aux numéros des pièces sur les illustrations de la section des liquides. Si deux numéros sont indiqués, le premier représente le numéro de la pièce pour le PL4955 et le deuxième représente le numéro de la pièce pour le PL6955 / PL8955.

Démontage de la section des liquides

- 1a. Retirez le tuyau du siphon. Dévissez le logement du clapet de pied (20,21) et le cylindre de la pompe (14) avec une clé à sangle.



Si le corps de pompe (14) ne peut pas être enlevé à l'aide d'une clé à courroie, utilisez le contre-écrou (23, 22) pour l'enlever du boîtier de la pompe.

- 1b. Desserrez le contre-écrou (23, 22) sur le corps jusqu'à ce qu'il atteigne le point le plus bas sur le filetage du corps. Placez une clé sur les côtés plats du contre-écrou et tournez la clé dans le sens contraire des aiguilles d'une montre pour desserrer le corps.
2. Faites glisser la bague de retenue (1) vers le haut au moyen d'un petit tournevis puis extrayez la goupille de connexion (2).
3. Enfoncez la tige de déplacement (6) dans la cavité inférieure du bloc moteur/pompe.
4. Retirez le joint torique en PTFE (3), le ressort de garniture supérieure (5) et la garniture supérieure (4) du bloc moteur/pompe.
5. Tenez la tige de déplacement (6) dans un étau par les bords en haut de la tige de déplacement et enlevez le logement de la soupape de sortie (13) avec une clé tout en maintenant la tige de déplacement à l'horizontale avec un support en bois, si cela est nécessaire. Démontez la rondelle d'étanchéité (12), le siège de soupape de sortie (11), la bille de soupape de sortie (10), la cage de soupape de sortie (9, PL6955/PL8955), la garniture inférieure (4), le ressort de garniture inférieure (9,8), le manchon (8, PL4955 uniquement) et la bague de retenue du ressort (7).

6. A l'aide d'une barre d'extension 1/2" attachée à un cliquet guide 1/2", insérez l'extrémité de la barre d'extension dans l'ouverture carrée de la cage du clapet de pied (16, 17) à l'intérieur du logement du clapet de pied (20, 21). Dévissez et retirez la cage du clapet de pied avec la rondelle ondulée (21, 16) du logement du clapet de pied.
7. Retirez le joint torique en PTFE (3), la bille du clapet de pied (17, 18), le siège du clapet de pied (18, 19) et le joint torique du siège (19, 20) du logement du clapet de pied (20, 21).
8. Retirez le joint torique (15) du cylindre de la pompe (14).

Remontage de la section des liquides



Utilisez du ruban en PTFE sur tous les raccords de tuyaux filetés.

1. Placez un nouveau joint torique du siège (19, 20) dans la rainure en bas du logement du clapet de pied (20, 21).
2. Vérifiez l'usure du siège du clapet de pied (18, 19). Si un côté est usé, retournez le siège du côté qui n'est pas usé. Si les deux côtés sont usés, installez un nouveau siège. Placez le nouveau siège, ou le siège retourné (côté usé vers le bas) dans l'alésage au bas du logement du clapet de pied (20, 21).
3. Placez une nouvelle bille de clapet de pied (17, 18) sur le siège du clapet de pied (18, 19). A l'aide d'une barre d'extension 1/2" attachée à un cliquet guide 1/2", insérez l'extrémité de la barre d'extension dans l'ouverture carrée de la cage du clapet de pied (16, 17) et vissez la cage du clapet de pied à l'intérieur du logement du clapet de pied (20, 21). Serrez la cage à 240 po/lbs (20 pi.-lbs.).
4. Placez la rondelle ondulée (21, 16) en haut de la cage de clapet de pied (16, 17).
5. Insérez un nouveau joint torique en PTFE (3) dans la rainure du logement du clapet de pied (20, 21). Lubrifiez le joint torique avec de l'huile ou de la graisse.
6. Après avoir trempé les garnitures en cuir dans l'huile (huile de lin de préférence), rassemblez la garniture inférieure (4). Placez la garniture inférieure sur le logement de la soupape de sortie (13) avec la pointe des garnitures en « V » vers le bas, en direction de l'hexagonal du logement de la soupape de sortie.



Toutes les garnitures en cuir doivent être trempées dans de l'huile (CoolFlo) pendant 15 à 20 minutes avant d'être installées. Tremper les garnitures trop longtemps causera le gonflement des garnitures. Le remontage sera par conséquent plus difficile.

7. Vérifiez l'usure du siège de la soupape de sortie (11). Si un côté est usé, tournez le siège du côté qui n'est pas usé. Si les deux côtés sont usés, utilisez un nouveau siège. Insérez la cage de soupape de sortie (9, PL6955/PL8955), la bille de la soupape de sortie (10), le siège, qu'il soit nouveau ou retourné (côté usé le plus éloigné de la bille) et une nouvelle rondelle d'étanchéité (12) dans la tige de déplacement (6).
8. Nettoyez les filetages du logement de la soupape de sortie (13) et enduisez les filetages de Loctite bleue n° 242. Assurez-vous qu'il n'y a pas de Loctite ailleurs que sur les filetages.
9. Placez le ressort de garniture inférieure (9, 8) sur le logement de soupape de sortie (13), puis le manchon (8, PL4955 uniquement) et la bague de retenue du ressort (7).
10. Vissez la tige de déplacement (6) et le logement de la soupape de sortie (13) ensemble. Vissez dans un étau à 50 pi/lbs. (68 Nm).
11. Insérez le joint torique en PTFE (3) dans la rainure supérieure du bloc moteur/pompe.
12. Insérez la garniture supérieure (4) dans le bloc moteur/pompe avec la pointe des garnitures en « V » vers le haut en direction du moteur.



Les garnitures doivent être trempées dans l'huile (CoolFlo) avant d'être installées.

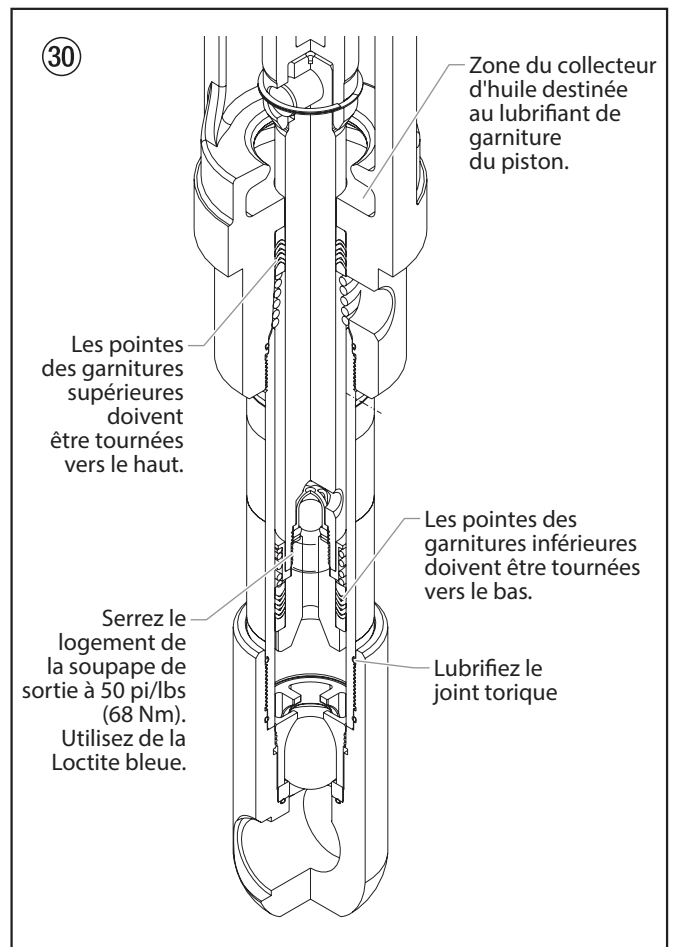
13. Placez le ressort de garniture supérieure (5) dans le bloc moteur/pompe avec la petite extrémité conique vers le haut, en direction du bloc moteur/pompe.
14. Insérez la tige de déplacement (6) par les garnitures supérieures du bloc moteur/pompe.
15. Alignez les trous dans la tige de déplacement (6) et la tige du piston hydraulique puis insérez la goupille de connexion (2). Remplacez la bague de retenue (1) sur la goupille de connexion.
16. Vissez les filetages courts du cylindre de la pompe (14) dans le bloc moteur/pompe et serrez avec une clé à sangle.
17. Placez le joint torique (15) dans la rainure supérieure du cylindre de la pompe (14).
18. Vissez le logement du clapet de pied (20, 21) sur le cylindre de la pompe (14), serrez avec une clé à sangle puis tirez vers l'arrière pour aligner la tuyau du siphon.



Il n'est pas nécessaire de trop visser le logement du clapet de pied. Les joints toriques servent de joints sans serrage excessif. Il suffit d'engager totalement le filetage. Le logement du clapet de pied peut être tourné vers l'arrière d'un demi-tour pour placer le tuyau correctement.

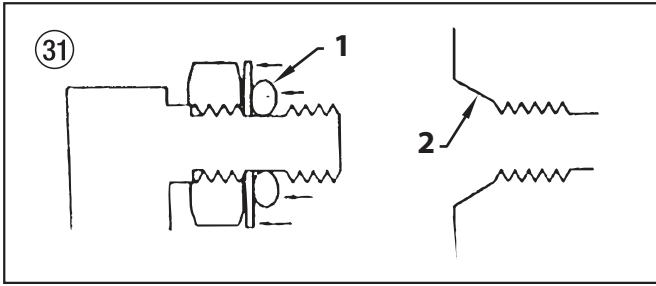
Pour fixer le tuyau du siphon, il est très important que les filetages du tuyau du siphon pénètrent facilement dans le logement du clapet de pied avec les raccords du tuyau en PTFE équipés et recouverts de mastic d'étanchéité pour empêcher toute fuite d'air.

Coupure de la section des liquides

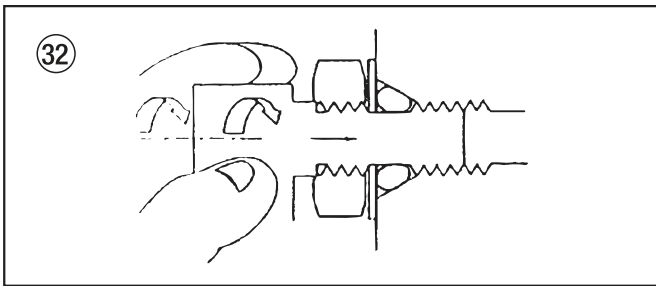


6.11 Installation du raccord SAE du joint torique

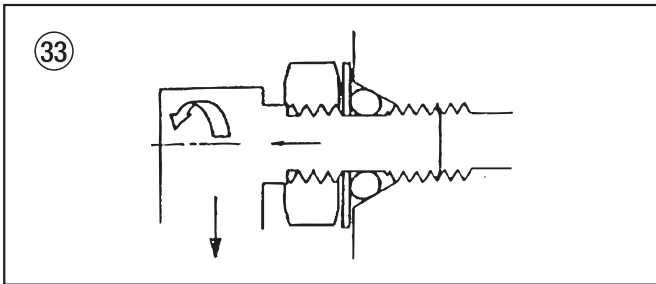
1. Tirer la rondelle et le joint torique vers l'arrière le plus possible.
2. Lubrifiez le joint torique (1) et l'ouverture (2).



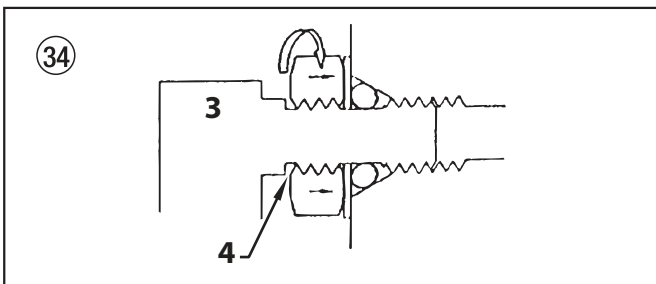
3. Serrez le raccord jusqu'à ce que la rondelle pousse le joint torique dans l'ouverture et que ce dernier soit plat contre l'ouverture. (Ne le serrez pas davantage! - serrez uniquement le raccord à la main afin de comprimer le joint torique dans l'ouverture!)



4. Reculez le raccord d'un tour complet au plus afin de l'aligner, au besoin.



5. Serrez l'écrou au couple en retenant le raccord (3). Cela devrait exposer un espace (4) derrière l'écrou qui peut agir comme indicateur que le raccord est bien fixé. (Il s'agit d'une caractéristique d'un type précis de ce raccord précis uniquement - qui se visse dans la tête du cylindre. Les autres raccords, tels que ceux utilisés sur la pompe hydraulique, s'assemblent de la même manière, mais n'ont pas l'indicateur.)



Évitez de trop serrer le raccord. Cela peut plier la rondelle qui fera extruder le joint torique.

Évitez de ne pas trop serrer le raccord. Le joint torique pourrait se couper sur le filetage du raccord.

7. Dépannage

7.1 Pistolet sans air

Problème

A. Le pistolet projette par erreur

Cause

1. Présence d'air dans le circuit
2. Pistolet sale
3. Déréglage de l'aiguille
4. Siège de soupape endommagé ou fêlé

Solution

1. Inspectez les raccords pour détecter une éventuelle fuite d'air.
2. Démontez et nettoyez.
3. Inspectez et réglez.
4. Inspectez et remplacez.

B. Le pistolet ne s'arrête pas

1. Aiguille & siège endommagés ou usés
2. Déréglage de l'aiguille
3. Pistolet sale

1. Remplacez.
2. Réglez.
3. Nettoyez.

C. Le pistolet ne pulvérise pas

1. Absence de peinture
2. Filtre ou embout obstrués
3. Aiguille du pistolet endommagée

1. Vérifiez l'alimentation en fluide.
2. Nettoyez.
3. Remplacez.

7.2 Section des liquides

Problème

A. La pompe ne libère du produit que lors de la course ascendante ou monte lentement et descend rapidement (généralement appelé plongée descendante).

Cause

1. La bille du clapet de pied inférieur n'est pas stable à cause des dépôts de déchets ou de l'usure
2. Produit trop visqueux pour être aspiré.
3. Présence d'une fuite d'air dans le siphon ou tuyau du siphon endommagé. Le siphon peut être trop petit pour les produits denses.

Solution

1. Ôtez le clapet de pied. Nettoyez et inspectez. Testez le clapet de pied en le remplissant d'eau ; si la bille tombe pour sceller le siège, remplacez la bille.
2. Dilution du produit – contactez le fabricant pour connaître les procédures de dilution appropriées.
3. Serrez tous les raccords situés entre la pompe et le réservoir de peinture. S'ils sont endommagés, remplacez-les. Passez à un siphon de diamètre plus large.

B. La pompe ne libère du produit que dans sa course descendante ou monte rapidement et descend lentement.

1. La bille supérieure n'est pas stable à cause des dépôts de déchets ou de l'usure
2. La garniture inférieure est usée.

1. Vérifiez le siège supérieur et la bille avec de l'eau. Si la bille ne scelle pas l'ensemble, remplacez le siège.
2. Remplacez l'ensemble des garnitures si elles sont usées.

C. La pompe monte et descend rapidement, en libérant du produit.

1. Le réservoir de produit est vide ou le produit est trop épais pour s'écouler dans le tuyau du siphon.

1. Remplissez de nouveau produit. Si elle est trop épaisse, retirez le tuyau du siphon, immergez la section des liquides dans le produit et amorcez la pompe. Ajoutez du diluant au produit. Installez un siphon plus grand. Ouvrez la soupape de décharge pour évacuer l'air et redémarrez la pompe.
2. Ôtez le clapet de pied. Nettoyez la bille et le siège.
3. Resserrez.

D. La pompe monte et descend lentement lorsque le pistolet vaporisateur est éteint.

1. Les raccords sont dévissés. La soupape de décharge est partiellement ouverte ou usée. Le siège des garnitures inférieures est usé.

1. Vérifiez tous les raccords entre la pompe et le pistolet. Resserrez si nécessaire. Si du produit s'écoule du tuyau de décharge, fermez la soupape de décharge ou remplacez-la le cas échéant. Si aucune de ces solutions ne fonctionne, remplacez la garniture inférieure.
2. Remettez la bille en place en la nettoyant.

E. Le pistolet ne dispose pas d'une pression du liquide suffisante.

1. L'embout pulvérisateur est usé.
2. Le filtre de sortie ou le filtre du pistolet sont obstrués.
3. Tension faible et/ou intensité de courant électrique inappropriée.
4. Taille ou longueur du tuyau trop petite ou trop grande.

1. Remplacez.
2. Nettoyez ou remplacez le filtre.
3. Vérifiez le circuit électrique. Corrigez si besoin est.
4. Augmentez le diamètre du tuyau afin de minimiser la chute de pression le long du tuyau et/ou réduisez la longueur du tuyau.

F. La pompe broute pendant la course ascendante ou descendante.

1. Le solvant a fait gonfler la garniture supérieure.

1. Remplacez les garnitures.

7.3 Moteurs hydrauliques

Problème

Cause

Solution

| | | |
|--|--|--|
| <p>A. Le moteur à huile cale en bas (pas de problème de surchauffe)</p> | <p>1. Le siège du piston de la pompe des fluides n'est pas fileté.</p> <p>2. La soupape est grippée ou le sélecteur de la tige de déclenchement du moteur à huile est défectueuse.</p> | <p>1. Si la tige de connexion est bonne, retirez la bougie de la tête du cylindre et ôtez la soupape en tirant vers le bas. Remplacez la bougie et démarrez la machine. Si l'appareil effectue une course ascendante et s'arrête de nouveau en bas, alors le problème provient du siège du piston sur la pompe des liquides. Vérifiez le siège du piston. Réparez-le ou remplacez-le si cela s'avère nécessaire. Si le siège du piston est en bon état et que le problème persiste, vérifiez le moteur à huile.</p> <p>2. Retirez la soupape et veillez à détecter les éventuelles fissures et à éviter qu'elle ne fonctionne par à-coups lorsqu'elle glisse vers le haut et vers le bas. Dans ce cas, remplacez la soupape et le tiroir. En pareil cas, vérifiez la tige de déclenchement et le tiroir afin de vérifier qu'ils ne sont pas disjoints. Vérifiez la tige de déclenchement n'est pas disjointe.</p> |
| <p>B. Le moteur à huile cale en haut (pas de problème de surchauffe)</p> | <p>1. La soupape est grippée.</p> <p>2. Le dispositif de retenue du ressort est cassé (tige de soupape)</p> <p>3. La tige de soupape ou le ressort est endommagé.</p> <p>4. Présence d'air dans le moteur hydraulique.</p> <p>5. Présence d'air dans la pompe des fluides.</p> | <p>1. Retirez la soupape et veillez à détecter les éventuelles fissures et à éviter qu'elle ne fonctionne par à-coups lorsqu'elle glisse vers le haut et le bas. Dans ce cas, remplacez la soupape et le tiroir.</p> <p>2. Remplacez la tige de soupape.</p> <p>3. Remplacez la tige de soupape.</p> <p>4. Réglez de nouveau la soupape. Purgez l'air, généralement en effectuant un cycle à basse pression du moteur et de la pompe pendant 5-10 minutes. Vérifiez l'origine de l'infiltration d'air.</p> <ul style="list-style-type: none"> • Les raccords du réservoir sont desserrés. • Les raccords de la pompe hydraulique sont desserrés. • Les raccords du tuyau sont desserrés. • Insuffisance d'huile dans le réservoir. <p>5. Le moteur peut caler en haut lorsque la pompe aspire de l'air. Réinitialisez la soupape. Evitez toute infiltration d'air dans la pompe des fluides.</p> |
| <p>C. Faible pression (adéquate sur course descendante, lente sur course ascendante – forte chaleur).</p> <p>NOTA: Le moteur peine en course ascendante et cale en course descendante.</p> | <p>1. Le joint d'étanchéité du piston est endommagé.</p> <p>2. Le piston est fêlé.</p> | <p>1. Avant de démonter le moteur à huile, mettez la machine en route. Effectuez un cycle de pompage sous pression, touchez le cylindre hydraulique et la tête du cylindre pour voir s'ils se réchauffent. Cela vous permettra de déterminer si le joint du piston a fondu ou si l'écrou du piston est endommagé. Si la tête est chaude, vérifiez les joints toriques de la soupape à tiroir.</p> <p>2. Démontez le moteur à huile et vérifiez l'alésage du cylindre, les joints du piston et l'écrou du piston. Faites particulièrement attention à l'écrou du piston. Il peut présenter une fissure interne sans que rien n'y paraisse.</p> |
| <p>D. Faible pression (pour les deux courses – forte chaleur)</p> <p>NOTA: Le moteur peine sur les deux courses.</p> | <p>1. Les joints toriques centraux de la soupape à tiroir sont endommagés.</p> <p>2. La pompe hydraulique est défaillante.</p> | <p>1. Avant de démonter le moteur à huile, mettez la machine en route. Effectuez un cycle de pompage sous pression, touchez la tête pour voir si elle se réchauffe. Cela vous permettra de déterminer si le joint torique central de la soupape à tiroir a fondu. S'il est chaud, retirez et remplacez le joint torique.</p> <p>2. Remplacez la pompe hydraulique.</p> |

7.4 Répartition de la pulvérisation

Problème

A. Trainées



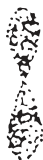
Cause

1. Sortie de liquide incorrecte

Solution

1. Le liquide ne s'atomise pas correctement
Augmentez la pression du liquide. Changez pour un embout au diamètre plus petit. Réduisez la viscosité du liquide. Réduisez la longueur du tuyau. Nettoyez le pistolet et le(s) filtre(s). Réduisez le nombre de pistolets utilisant la pompe.

B. Sablier



1. Sortie de liquide incorrecte

1. Cf. ci-avant.

C. Déformation



1. L'embout de la buse est obstrué ou usé

1. Nettoyez ou remplacez l'embout.

D. Pulvérisation qui s'étend et se rétracte (surtension)



1. Fuite d'aspiration
2. Sortie de liquide par à-coups

1. Détectez toute fuite éventuelle du tuyau d'aspiration.
2. Changez pour un embout au diamètre plus petit. Installez un amortisseur de pulsations dans le circuit ou purgez l'appareil. Réduisez le nombre de pistolets utilisant la pompe. Débloquez le circuit, nettoyez le filtre de l'embout si le filtre est utilisé.

E. Pulvérisation arrondie



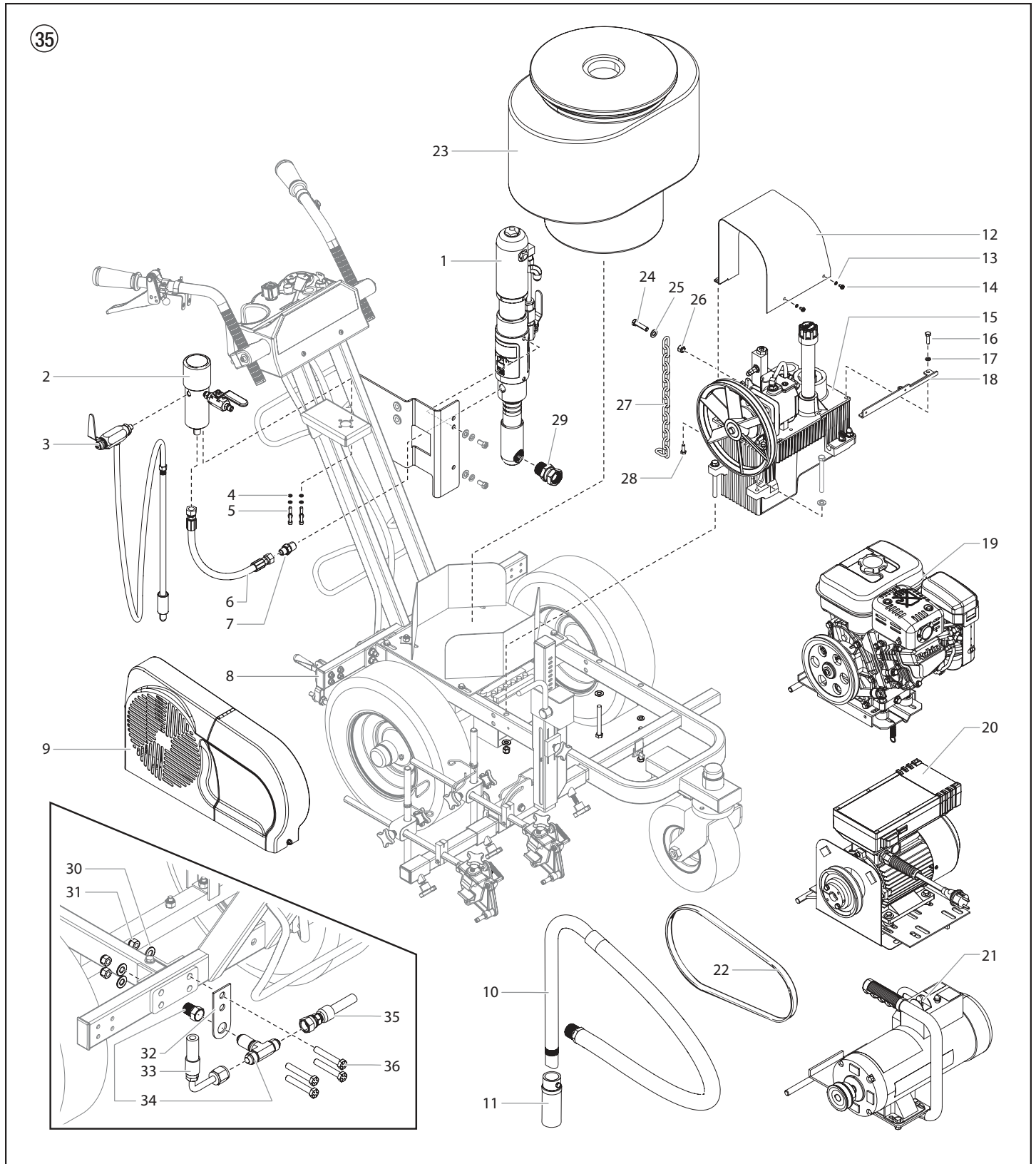
1. Embout usé
2. Liquide trop dense pour l'embout

1. Remplacez l'embout.
2. Augmentez la pression. Diluez le produit. Changez l'embout de la buse.

Ⓒ Main Assembly

Ⓓ Hauptbaugruppe

Ⓕ Ensemble principal



| Pos. | PL4955 | PL6955 | PL8955 | (GB) Description | (D) Benennung | (F) Description |
|------|----------|----------|----------|---|--|--|
| 1 | 235-117A | 235-118A | 236-154A | Motor / pump assembly | Motoren-/Pumpenbaugruppe | Bloc moteur/pompe |
| 2* | 0290113A | 0290113A | 0290113A | Filter assembly | Filterbaugruppe | Ensemble de filtre |
| 3* | ----- | ----- | ----- | Bleed hose assembly with valve | Baugruppe der Ablassleitung mit Ventil | Conduite de décharge avec soupape |
| 4 | 755-215 | 755-215 | 755-215 | Washer (4) | Scheibe (4) | Rondelle (4) |
| 5 | 858-634 | 858-634 | 858-634 | Screw (4) | Schraube (4) | Vis (4) |
| 6 | 0290340 | 0290340 | 0290340 | Hose | Schlauch | Tuyau |
| 7 | 813-555 | 813-555 | 813-555 | Fitting | Anschluss | Raccord |
| 8* | ----- | ----- | ----- | Cart assembly | Wagenbaugruppe | Ensemble de chariot |
| 9* | 0290629A | 0290629A | 0290629A | Belt guard assembly | Keilriemenbaugruppe | Protège-courroie |
| 10* | 0533237A | 0533237A | 0533237A | Siphon hose assembly | Syphonschlauch-baugruppe | Tuyau du siphon |
| 11 | 0509762A | 0509762A | 0509762A | Filter screen | Enlassieb | Grille d'entrée d'air |
| 12 | 0290992A | 0290992A | 0290992A | Hydraulic cover | Tankabdeckung | Couvercle |
| 13 | 770-879 | 770-879 | 770-879 | Lock washer (2) | Federscheibe (2) | Rondelle d'arrêt (2) |
| 14 | 862-501 | 862-501 | 862-501 | Screw (2) | Schraube (2) | Vis (2) |
| 15* | ----- | ----- | ----- | Hydraulic system | Hydrauliksystem | Système hydraulique |
| 16 | 858-636 | 858-636 | 858-636 | Bracket screw (2) | Klammerschraube (2) | Vis du support (2) |
| 17 | 858-002 | 858-002 | 858-002 | Lock washer (2) | Federscheibe (2) | Rondelle d'arrêt (2) |
| 18 | 0528235 | 0528235 | 0528235 | Bracket | Befestigungswinkel | Equerre de fixation |
| 19* | 0537263A | ----- | ----- | Convertokit, 3.5 Hp, Honda, gasoline | Convertokit, 3,5 PS, Honda, Benzin | Convertokit, 3,5 HP, Honda, essence |
| | ----- | 0537264A | ----- | Convertokit, 4.8 Hp, Honda, gasoline (electric start) | Convertokit, 4,8 PS, Honda, Benzin (Elektroanlasser) | Convertokit, 4,8 HP, Honda, essence (démarrage électrique) |
| | ----- | ----- | 0537265A | Convertokit, 5.5 Hp, Honda, gasoline (electric start) | Convertokit, 5,5 PS, Honda, Benzin (Elektroanlasser) | Convertokit, 5,5 HP, Honda, essence (démarrage électrique) |
| 20** | 0290117A | ----- | ----- | Convertokit, DC electric, 230V | Convertokit, Elektromotor, 230V | Convertokit, moteur électrique, 230V |
| 21** | 0290115A | ----- | ----- | Convertokit, DC electric, 120V | Convertokit, Elektromotor, 120V | Convertokit, moteur électrique, 120V |
| 22 | 449-181 | ----- | ----- | Belt, "V", Convertokit, DC electric, 120V | Keilriemen, "V", Convertokit, Elektromotor 120V | Courroie, "V", moteur électrique, 120V |
| | 0290799 | ----- | ----- | Belt, "V", Convertokit, DC electric, 230V | Keilriemen, "V", Convertokit, Elektromotor 230V | Courroie, "V", moteur électrique, 230V |
| | 449-181 | 0290536 | 0290536 | Belt, "V", gas Convertokit | Keilriemen, "V", Convertokit, Benzinmotor | Courroie, "V", moteur essence |
| 23 | 759-130 | 759-130 | 759-130 | 12 gallon hopper assembly | 12 Gallonen Füllschacht für Farbe | Trémie de peinture 45 litres |
| 24 | 862-444 | 862-444 | 862-444 | Screw | Schraube | Vis |
| 25 | 9820305 | 9820305 | 9820305 | Washer (2) | Scheibe | Rondelle |
| 26 | 862-410 | 862-410 | 862-410 | Nut | Mutter | Écrou |
| 27 | 424-283 | 424-283 | 424-283 | Grounding chain | Kette | Chaîne |
| 28 | 9800312 | 9800312 | 9800312 | Screw | Schraube | Vis |
| 29 | 9885659 | 200-556 | 200-556 | Swivel | Drehlager | Émerillon |
| 30 | 0509285 | 0509285 | 0509285 | Washer (4) | Scheibe (4) | Rondelle (4) |
| 31 | 862-410 | 862-410 | 862-410 | Nut (4) | Mutter (4) | Écrou (4) |
| 32 | 0290329 | 0290329 | 0290329 | Plate | Platte | Plaque |
| 33 | 0290338 | 0290338 | 0290338 | Hydraulic hose | Hydraulischer Schlauch | Tuyau hydraulique |
| 34 | 9885656 | 9885656 | 9885656 | T-fitting | T-Stück | Raccord en T |
| 35 | 0290333 | 0290333 | 0290333 | Hydraulic hose | Hydraulischer Schlauch | Tuyau hydraulique |
| 36 | 862-472 | 862-472 | 862-472 | Screw (4) | Schraube (4) | Vis (4) |

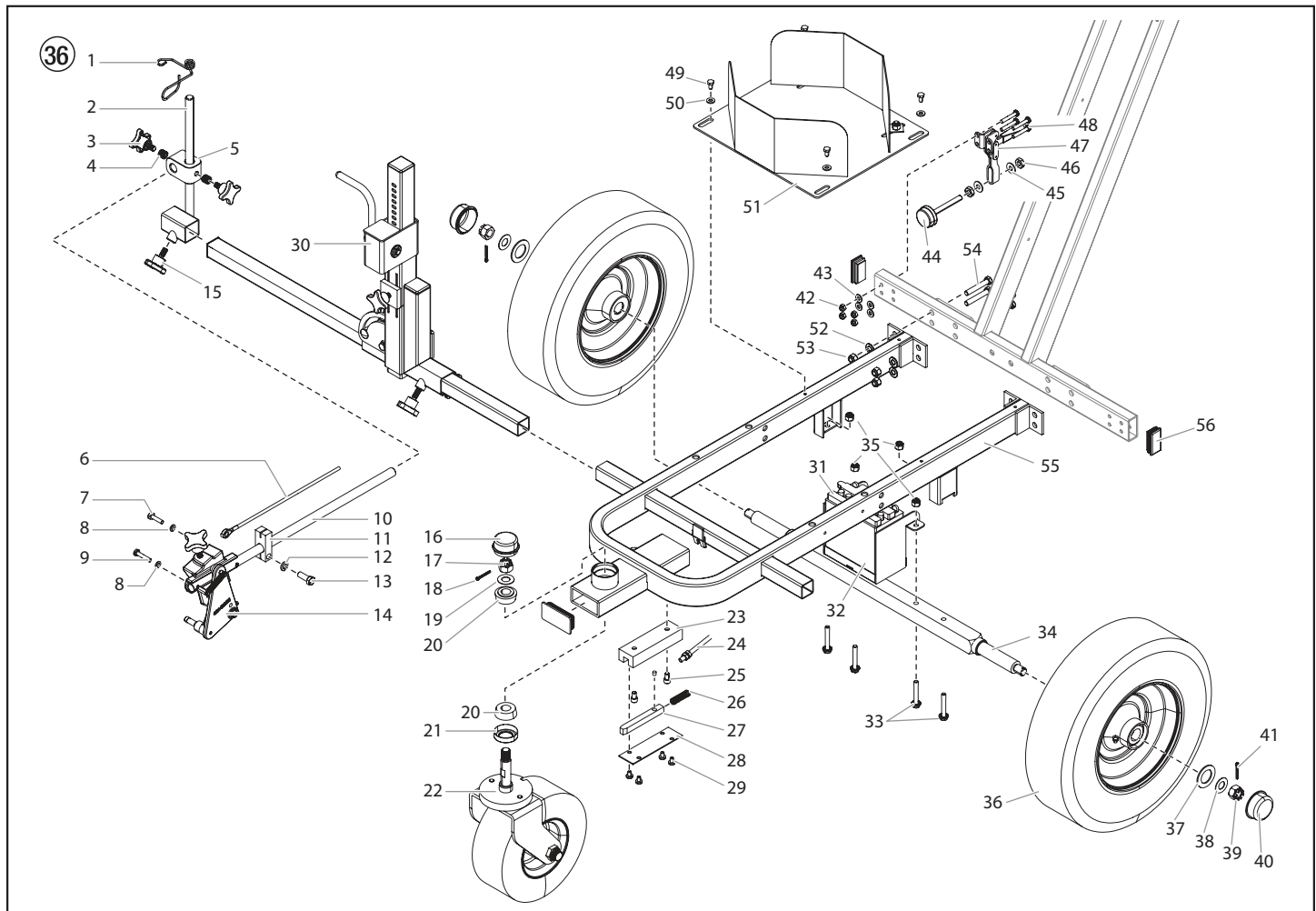
* See separate listing / Siehe separate Auflistung / voir la liste de pièces distincte

** Optional / Optional / Facultatif

(GB) Cart Assembly I

(D) Wagenbaugruppe I

(F) Ensemble de chariot I



| Pos. | PL4955 | PL6955 | PL8955 | (GB) Description | (D) Benennung | (F) Description |
|------|----------|----------|----------|-----------------------|----------------------------|-----------------------------------|
| 1* | 424-288 | 424-288 | 424-288 | Cable guide | Kabelführung | Guide du câble |
| 2* | 0290894 | 0290894 | 0290894 | Gun riser weldment | Seitenrohrschweissteil | Ensemble soudé du tube glissant |
| 3* | 0290349 | 0290349 | 0290349 | Clamping knob (2) | Klemmungsknopf (2) | Bouton de serrage (2) |
| 4* | 0290350 | 0290350 | 0290350 | Spring (2) | Feder (2) | Ressort (2) |
| 5* | 0290899 | 0290899 | 0290899 | Clamp body | Klemmenbaugruppe | Collier |
| 6* | 0290342 | 0290342 | 0290342 | Gun cable | Spritzpistolenkabel | Câble du pistolet |
| 7* | 858-636 | 858-636 | 858-636 | Screw | Schraube | Vis |
| 8* | 858-002 | 858-002 | 858-002 | Lock washer (2) | Federscheibe (2) | Rondelle de blocage (2) |
| 9* | 9805456 | 9805456 | 9805456 | Screw | Schraube | Vis |
| 10* | 0290327A | 0290327A | 0290327A | Support arm | Stützarm | Bras de support |
| 11* | 424-226 | 424-226 | 424-226 | Cable mounting clamp | Kabelmontageklammer | Collier de fixation du câble |
| 12* | 0509292 | 0509292 | 0509292 | Lock washer | Federscheibe | Rondelle de blocage |
| 13* | 862-436 | 862-436 | 862-436 | Screw | Schraube | Vis |
| 14* | 0290381 | 0290381 | 0290381 | Gun holder assembly** | Baugruppe Pistolenhalter** | Ensemble de support à pistolet ** |
| 15* | 759-306 | 759-306 | 759-306 | Clamping knob | Klemmungsknopf | Bouton de serrage |

| Pos. | PL4955 | PL6955 | PL8955 | Ⓒ Description | Ⓓ Benennung | Ⓕ Description |
|--|-------------|-------------|-------------|----------------------|---------------------------------|--------------------------------------|
| 16 | 779-086 | 779-086 | 779-086 | Dust cap | Staubdeckel | Protection contre les poussières |
| 17 | 756-078 | 756-078 | 756-078 | Castle nut | Kronenmutter | Écrou à créneaux |
| 18 | 756-079 | 756-079 | 756-079 | Cotter pin | Spint | Clavette |
| 19 | 756-080 | 756-080 | 756-080 | Spring washer | Federscheibe | Rondelle de ressort |
| 20 | 779-068 | 779-068 | 779-068 | Taper bearing (2) | Kegellager (2) | Roulement conique (2) |
| 21 | 779-085 | 779-085 | 779-085 | Taper bearing seal | Kegellagerabdichtung | Joint du roulement conique |
| 22 | 779-013A | 779-013A | 779-013A | Wheel assembly | Sprüherbaugruppe | Assemblage de la roulette |
| 23 | 0290897 | 0290897 | 0290897 | Guide block | Böckchen | Dispositif de guidage |
| 24 | 0290343 | 0290343 | 0290343 | Wheel lock cable | Feststellbremskabel | Câble de blocage de roue |
| 25 | 9805455 | 9805455 | 9805455 | Socket screw (2) | Inbusschraube (2) | Vis creuse (2) |
| 26 | 756-087 | 756-087 | 756-087 | Lock spring | Feststellfeder | Ressort de blocage |
| 27 | 0290898 | 0290898 | 0290898 | Caster lock pin | Sprüher Arretierbolzen | Goupille d'arrêt de la roulette |
| 28 | 0290896 | 0290896 | 0290896 | Block cover | Verschlusskappe | Couvercle de blocage |
| 29 | 0509219 | 0509219 | 0509219 | Screw (4) | Schraube (4) | Vis (4) |
| 30** | 0290382 | 0290382 | 0290382 | Lift / tilt assembly | Baugruppe Hebe-/Kippvorrichtung | Ensemble servant à lever ou incliner |
| 31 | ----- | 434-641 | 434-641 | Battery, 12 Volt | Batterie, 12 Volt | Pile, 12 Volts |
| 32 | ----- | 0290488 | 0290488 | Battery bracket | Batteriehalterung | Support à pile |
| 33 | 761-178 (2) | 761-178 (4) | 761-178 (4) | Hex screw | Sechskantschraube | Vis hexagonale |
| 34 | 0290489A | 0290489A | 0290489A | Axle | Achse | Essieu |
| 35 | 763-549 (2) | 763-549 (4) | 763-549 (4) | Lock nut | Stellmutter | Écrou de blocage |
| 36 | 757-050-S | 757-050-S | 757-050-S | Rear wheel (2) | Hinterradl (2) | Roue arrière (2) |
| 37 | 176-919 | 176-919 | 176-919 | Washer (2) | Scheibe (2) | Rondelle (2) |
| 38 | 756-080 | 756-080 | 756-080 | Spring washer (2) | Federscheibe (2) | Rondelle de ressort (2) |
| 39 | 756-078 | 756-078 | 756-078 | Castle nut (2) | Kronenmutter (2) | Écrou à créneaux (2) |
| 40 | 779-086 | 779-086 | 779-086 | Dust cap (2) | Staubdeckel (2) | Protection contre les poussières (2) |
| 41 | 756-079 | 756-079 | 756-079 | Cotter pin (2) | Spint (2) | Clavette (2) |
| 42 | 770-144 | 770-144 | 770-144 | Lock nut (4) | Stellmutter (4) | Écrou de blocage (4) |
| 43 | 770-601 | 770-601 | 770-601 | Flat washer (4) | Flache Unterlegscheibe (4) | Rondelle plate (4) |
| 44 | 424-269 | 424-269 | 424-269 | Brake pad | Bremsklotz | Plaquette de frein |
| 45 | 860-004 | 860-004 | 860-004 | Flat washer (2) | Flache Unterlegscheibe (2) | Rondelle plate (2) |
| 46 | 862-401 | 862-401 | 862-401 | Nut (2) | Mutter (2) | Écrou (2) |
| 47 | 0290684 | 0290684 | 0290684 | Brake clamp | Bremsenklemme | Collier du frein |
| 48 | 858-652 | 858-652 | 858-652 | Screw (4) | Schraube (4) | Vis (4) |
| 49 | 0509219 | 0509219 | 0509219 | Screw (4) | Schraube (4) | Vis (4) |
| 50 | 770-223 | 770-223 | 770-223 | Washer (4) | Scheibe (4) | Rondelle (2) |
| 51 | 0290697A | 0290697A | 0290697A | Bucket holder | Eimerhalter | Porte-godet |
| 52 | 0509285 | 0509285 | 0509285 | Flat washer (4) | Flache Unterlegscheibe (4) | Rondelle plate (4) |
| 53 | 862-410 | 862-410 | 862-410 | Lock nut (4) | Stellmutter (4) | Écrou de blocage (4) |
| 54 | 862-472 | 862-472 | 862-472 | Screw (4) | Schraube (4) | Vis (4) |
| 55 | 0290109A | 0290109A | 0290109A | Frame | Rahmen | Châssis |
| 56 | 779-121 | 779-121 | 779-121 | Plastic plug (2) | Plastikstöpsel (2) | Fiche en plastique (2) |
| Not shown • Nicht gezeigt • Non représentée | | | | | | |
| | 0290775 (1) | 0290775 (3) | 0290775 (3) | Velcro strap | Klettband | Courroie Velcro |

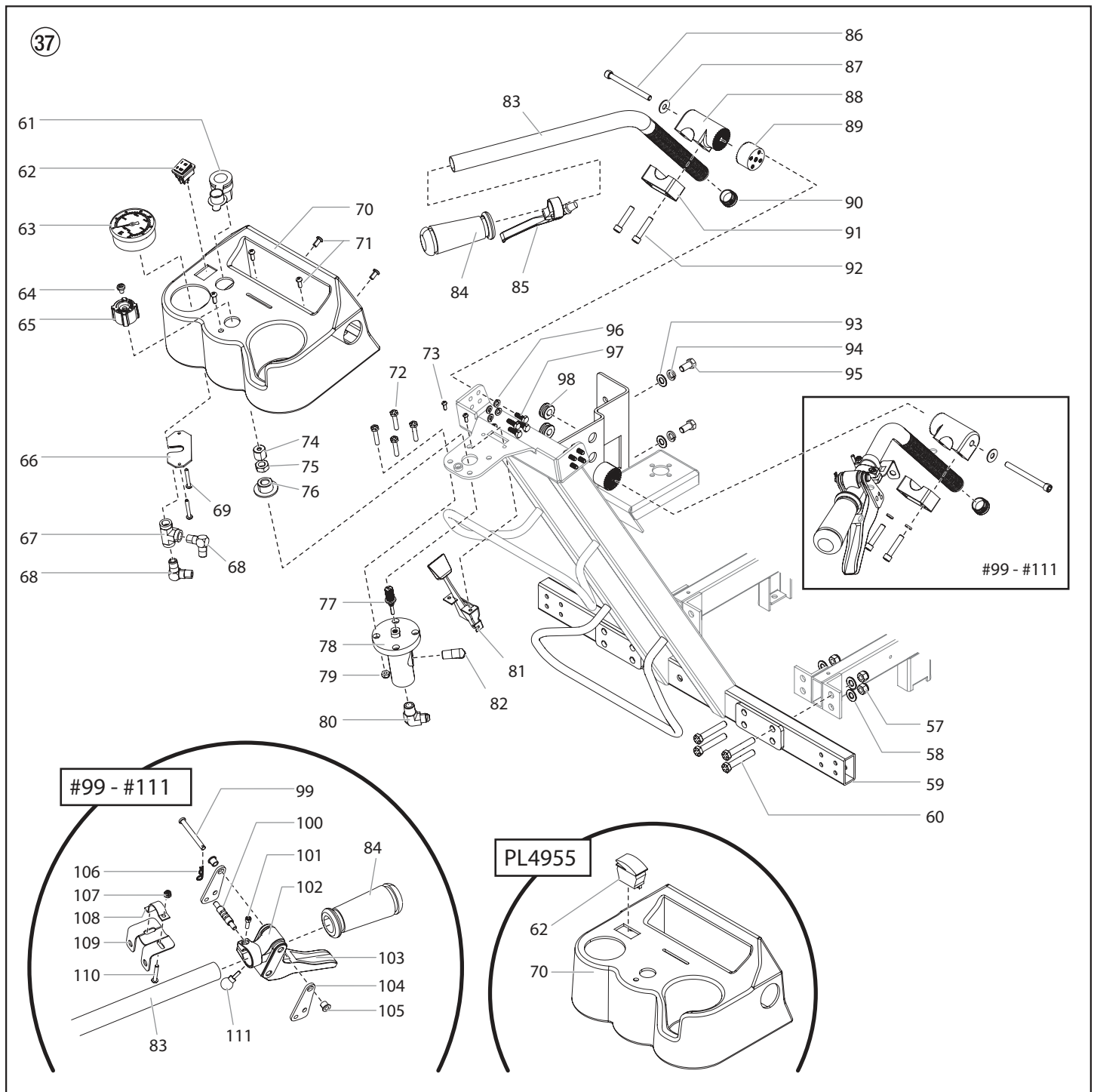
* All item quantities should be multiplied by 2 (2nd gun holder assembly not shown) / Die Menge aller Posten muss mit 2 multipliziert werden (2. Baugruppe Pistolenhalter nicht dargestellt) / Toutes les quantités d'articles devraient être multipliées par 2 (ensemble de support du deuxième pistolet non illustré)

** See separate listing / Siehe separate Auflistung / voir la liste de pièces distincte

Ⓒ GB Cart Assembly II

Ⓓ D Wagenbaugruppe II

Ⓕ F Ensemble de chariot II



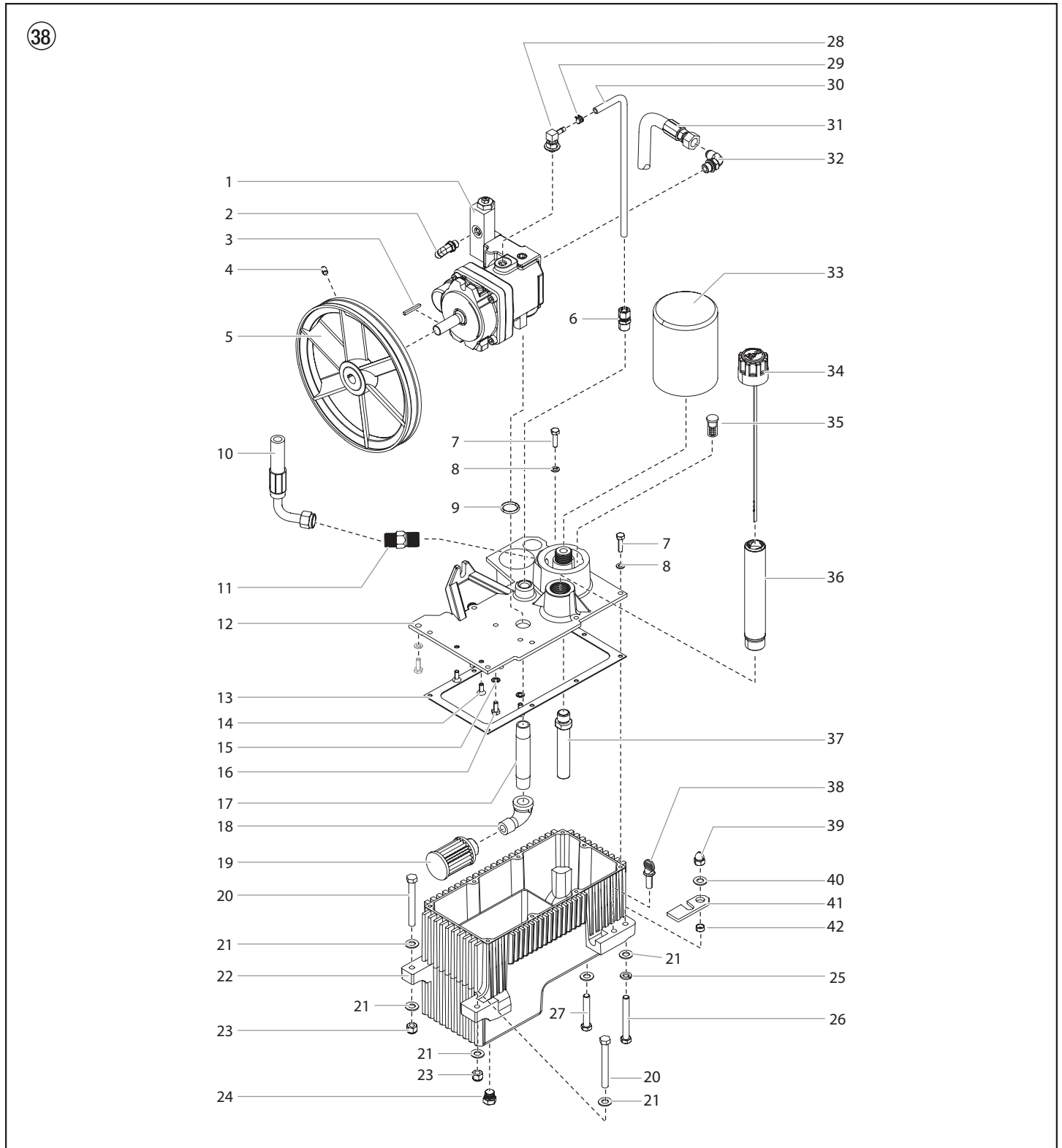
| Pos. | PL4955 | PL6955 | PL8955 | Ⓒ Description | Ⓓ Benennung | Ⓕ Description |
|------|----------|----------|----------|------------------|----------------------------|--------------------------|
| 57 | 862-410 | 862-410 | 862-410 | Lock nut (4) | Stellmutter (4) | Écrou de blocage (4) |
| 58 | 0509285 | 0509285 | 0509285 | Washer, flat (4) | Flache Unterlegscheibe (4) | Rondelle plate (4) |
| 59 | 0290110A | 0290110A | 0290110A | Handle assembly | Lenkstangenbaugruppe | Assemblage de la poignée |
| 60 | 862-472 | 862-472 | 862-472 | Screw (4) | Schraube (4) | Vis (4) |
| 61 | ----- | 0290347 | 0290347 | 12 volt socket | 12-Volt-Steckdose | Support de 12 Volts |

| Pos. | PL4955 | PL6955 | PL8955 | Ⓞ Description | Ⓧ Benennung | Ⓦ Description |
|------|----------|----------|----------|--|---|--|
| 62 | 779-090 | ----- | ----- | Kill switch | Abwürgeschalter | Disjoncteur |
| | ----- | 9850936 | 9850936 | ON/OFF switch | Stromschalter | Interrupteur |
| 63 | 600-270 | 600-270 | 600-270 | Pressure gauge | Manometer | Manométré |
| 64 | 0509219 | 0509219 | 0509219 | Screw | Schraube | Vis |
| 65 | 700-771 | 700-771 | 700-771 | Pressure control knob | Druckregulierknopf | Bouton de réglage de pression |
| 66 | 0290994 | 0290994 | 0290994 | Plate | Platte | Plaque |
| 67 | 0088163 | 0088163 | 0088163 | T-fitting | T-Stück | Raccord en T |
| 68 | 12440 | 12440 | 12440 | Elbow, 90° (2) | Winkel, 90° (2) | Coude, 90° (2) |
| 69 | 9805458 | 9805458 | 9805458 | Screw (2) | Schraube (2) | Vis (2) |
| 70 | 0290694A | 0528707A | 0528707A | Dashboard | Instrumententafel | Tableau de bord |
| 71 | 9805459 | 9805459 | 9805459 | Screw (5) | Schraube (5) | Vis (5) |
| 72 | 858-644 | 858-644 | 858-644 | Screw (4) | Schraube (4) | Vis (4) |
| 73 | 700-139 | 700-139 | 700-139 | Screw (2) | Schraube (2) | Vis (2) |
| 74 | 0290346 | 0290346 | 0290346 | Compensator adapter | Kompensatoradapter | Adaptateur du compensateur |
| 75 | 9812336 | 9812336 | 9812336 | Jam nut | Sechskantmutter | Contre-écrou |
| 76 | 0290344 | 0290344 | 0290344 | Adapter | Adapter | Adaptateur |
| 77 | 0290345 | 0290345 | 0290345 | Compensator stem | Kompensatorschaft | Tige du compensateur |
| 78 | 0290367 | 0290348 | 0290348 | Remote relief valve | Ferngesteuertes Entlastungsventil | Soupape de retour à distance |
| 79 | 770-144 | 770-144 | 770-144 | Lock nut (4) | Stellmutter (4) | Écrou de blocage (4) |
| 80 | 9885660 | 9885660 | 9885660 | Elbow, 90° | Winkel, 90° | Coude, 90° |
| 81 | 0290341 | 0290341 | 0290341 | Throttle control cable | Drosselregelung | Commande de puissance |
| 82 | 9885655 | 9885655 | 9885655 | Elbow, 90° | Winkel, 90° | Coude, 90° |
| 83 | 0290990 | 0290990 | 0290990 | Handle (2) | Lenkstange (2) | Barre de poignée (2) |
| 84 | 424-245 | 424-245 | 424-245 | Grip (2) | Griff (2) | Poignée (2) |
| 85 | 759-215 | 759-215 | 759-215 | Trigger lever | Triggerhebel | Levier de la détente |
| 86 | 9805454 | 9805454 | 9805454 | Screw | Schraube | Vis |
| 87 | 860-004 | 860-004 | 860-004 | Washer, flat (2) | Flache Unterlegscheibe (2) | Rondelle plate (2) |
| 88 | 0290988 | 0290988 | 0290988 | Inner cog (2) | Innenzahn (2) | Pignon interne (2) |
| 89 | 0290989 | 0290989 | 0290989 | Outer cog (2) | Außenzahn (2) | Pignon externe (2) |
| 90 | 9885546 | 9885546 | 9885546 | End cap (2) | Endkappe (2) | Obturbateur d'extrémité (2) |
| 91 | 0290987 | 0290987 | 0290987 | Clamp (2) | Klammer (2) | Bride (2) |
| 92 | 9805453 | 9805453 | 9805453 | Screw (4) | Schraube (4) | Vis (4) |
| 93 | 0509285 | 0509285 | 0509285 | Washer, flat (2) | Flache Unterlegscheibe (2) | Rondelle plate (2) |
| 94 | 0509292 | 0509292 | 0509292 | Lock washer (2) | Federscheibe (2) | Rondelle de blocage (2) |
| 95 | 862-428 | 862-428 | 862-428 | Hex screw (2) | Sechskantschraube (2) | Vis hexagonale (2) |
| 96 | 763-551 | 763-551 | 763-551 | Lock washer (4) | Federscheibe (4) | Rondelle de blocage (4) |
| 97 | 9805439 | 9805439 | 9805439 | Hex screw (4) | Sechskantschraube (4) | Vis hexagonale (4) |
| 98 | 800-036 | 800-036 | 800-036 | Grommet (2) | Gummidichtung (2) | Passe-fil (2) |
| 99 | 759-015 | 759-015 | 759-015 | Clevis pin | Gabelkopfbolzen | Axe de chape |
| 100 | 424-227 | 424-227 | 424-227 | Selector spool | Selectorspule | Tiroir du sélecteur |
| 101 | 944-047 | 944-047 | 944-047 | Screw (2) | Schraube (2) | Vis (2) |
| 102 | 0290985 | 0290985 | 0290985 | Mounting block | Montageblock | Bloc de montage |
| 103 | 424-203 | 424-203 | 424-203 | Trigger | Trigger | Détente |
| 104 | 424-217 | 424-217 | 424-217 | Lever plate (2) | Hebelplatte (2) | Plaque du levier |
| 105 | 424-218 | 424-218 | 424-218 | Flange bearing (2) | Flanschlager (2) | Palier applique (2) |
| 106 | 759-034 | 759-034 | 759-034 | Cotter pin | Spint | Clavette |
| 107 | 226-001 | 226-001 | 226-001 | Lock nut | Stellmutter | Écrou de blocage |
| 108 | 759-035 | 759-035 | 759-035 | Strap | Band | Courroie |
| 109 | 0290986A | 0290986A | 0290986A | Cable guide plate | Kabelführungsplatte | Plaque de guidage du câble |
| 110 | 757-092 | 757-092 | 757-092 | Screw | Schraube | Vis |
| 111 | 759-033 | 759-033 | 759-033 | Clamp knob | Klemmknopf | Bouton de serrage |
| | 0290383 | 0290383 | 0290383 | Handlebar clamp kit (includes items 86-89 and 91-92) | Lenkerhalterung Kit (beinhaltet Pos. 86-89 und 91-92) | Trousse de la bride de la poignée (inclut les articles 86 à 89 et 91 à 92) |

Ⓒ GB Hydraulic System

Ⓒ D Hydrauliksystem

Ⓒ F Système hydraulique

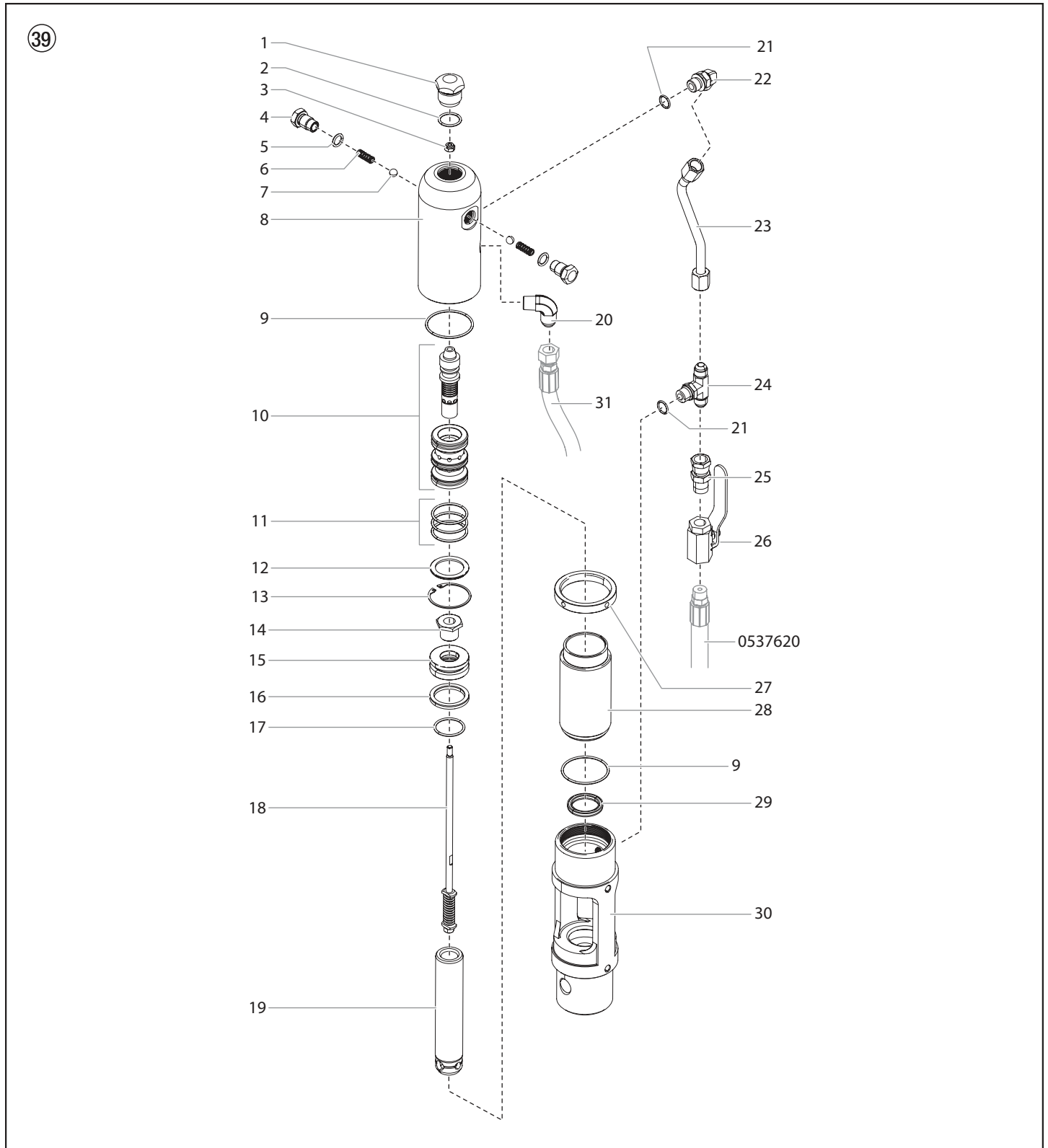


| Pos. | PL4955 | PL6955 | PL8955 | (GB) Description | (D) Benennung | (F) Description |
|------|----------|----------|----------|--------------------------|---|--------------------------------------|
| 1 | 0290689 | 0290689 | 0290689 | Hydraulic pump | Hydraulikölpumpe | Pompe hydraulique |
| 2 | 9885657 | 9885657 | 9885657 | Elbow (to hose 0290380) | Winkel (zum hydraulischen Schlauch 0290380) | Coude (au tuyau hydraulique 0290380) |
| 3 | 448-494 | 448-494 | 448-494 | Key, pump | Passfeder | Clavette |
| 4 | 860-520 | 860-520 | 860-520 | Set screw | Sicherungsschraube | Vis de blocage |
| 5 | 449-195A | 449-195A | 449-195A | Pulley/fan assembly | Riemenscheibe | Poulie |
| 6 | 431-042 | 431-042 | 431-042 | Tube connector | Rohranschluss | Connecteur de tube |
| 7 | 858-636 | 858-636 | 858-636 | Screw (8) | Schraube (8) | Vis (8) |
| 8 | 858-002 | 858-002 | 858-002 | Lock washer (10) | Federscheibe (10) | Rondelle d'arrêt (10) |
| 9 | 325-031 | 325-031 | 325-031 | O-ring | O-ring | Joint torique |
| 10 | 0290336 | 0290336 | 0290336 | Return hose assembly | Rücklaufschlauch | Tuyau de retour |
| 11 | 451-029 | 451-029 | 451-029 | Fitting | Anschluss | Raccord |
| 12 | 0290770 | 0290770 | 0290770 | Tank cover | Öltankdeckel | Couvercle du réservoir d'huile |
| 13 | 449-605 | 449-605 | 449-605 | Tank gasket | Dichtung | Joint |
| 14 | 858-621 | 858-621 | 858-621 | Socket screw (2) | Senkschraube (2) | Vis à tête fraisée (2) |
| 15 | 859-001 | 859-001 | 859-001 | Washer (2) | Scheibe (2) | Rondelle (2) |
| 16 | 858-624 | 858-624 | 858-624 | Screw (2) | Schraube (2) | Vis (2) |
| 17 | 0528171 | 0528171 | 0528171 | Nipple | Doppelnippel | Raccord double |
| 18 | 472-500 | 472-500 | 472-500 | Elbow, street | Winkel | Coude |
| 19 | 448-208 | 448-208 | 448-208 | Inlet screen | Filter | Filtre |
| 20 | 862-496 | 862-496 | 862-496 | Hexagonal bolt (2) | Sechskantschraube (2) | Vis hexagonale (2) |
| 21 | 0509285 | 0509285 | 0509285 | Flat washer (6) | Scheibe (6) | Rondelle (6) |
| 22 | 449-718A | 449-718A | 449-718A | Hydraulic tank | Hydrauliköltank | Réservoir d'huile hydraulique |
| 23 | 862-410 | 862-410 | 862-410 | Locknut (2) | Stellmutter (2) | Écrou d'arrêt (2) |
| 24 | 449-212 | 449-212 | 449-212 | Plug | Verschlusschraube | Vis bouchon |
| 25 | 0509292 | 0509292 | 0509292 | Lock washer (4) | Federscheibe (4) | Rondelle d'arrêt (4) |
| 26 | 862-493 | 862-493 | 862-493 | Hexagonal bolt | Sechskantschraube | Vis hexagonale |
| 27 | 862-480 | 862-480 | 862-480 | Hexagonal bolt | Sechskantschraube | Vis hexagonale |
| 28 | 192-228 | 192-228 | 192-228 | Elbow | Winkel | Coude |
| 29 | 449-126 | 449-126 | 449-126 | Hose clamp | Schlauchklemme | Collier |
| 30 | 420-251 | 420-251 | 420-251 | Tubing, PTFE | Rohr | Tube |
| 31 | 0290335 | 0290335 | 0290335 | Pressure hose assembly | Druckschlauch | Tuyau de pression |
| 32 | 192-051 | 192-051 | 192-051 | Elbow | Winkel | Coude |
| 33 | 451-220 | 451-220 | 451-220 | Hydraulic filter | Filter | Filtre |
| 34 | 449-626 | 449-626 | 449-626 | Hydraulic fluid dipstick | Ölmessstab | Jauge de niveau |
| 35 | 449-609A | 449-609A | 449-609A | Hydraulic by-pass | Bypassventil | By-pass |
| 36 | 449-614 | 449-614 | 449-614 | Tube assembly | Einfüllstutzen | Raccord de remplissage |
| 37 | 0528164A | 0528164A | 0528164A | Tube | Rohr | Tube |
| 38 | 862-438 | 862-438 | 862-438 | Thumb screw | Flügelschraube | Vis à ailes |
| 39 | 862-402 | 862-402 | 862-402 | Acorn nut | Hutmutter | Ecrou borgne |
| 40 | 0509285 | 0509285 | 0509285 | Washer | Scheibe | Rondelle |
| 41 | 449-107 | 449-107 | 449-107 | Mounting plate retainer | Riegel | Verrou |
| 42 | 449-135 | 449-135 | 449-135 | Spacer | Distanzscheibe | Bague d'espacement |

Ⓜ GB Hydraulic Motor

Ⓜ D Hydraulikmotor

Ⓜ F Moteur hydraulique

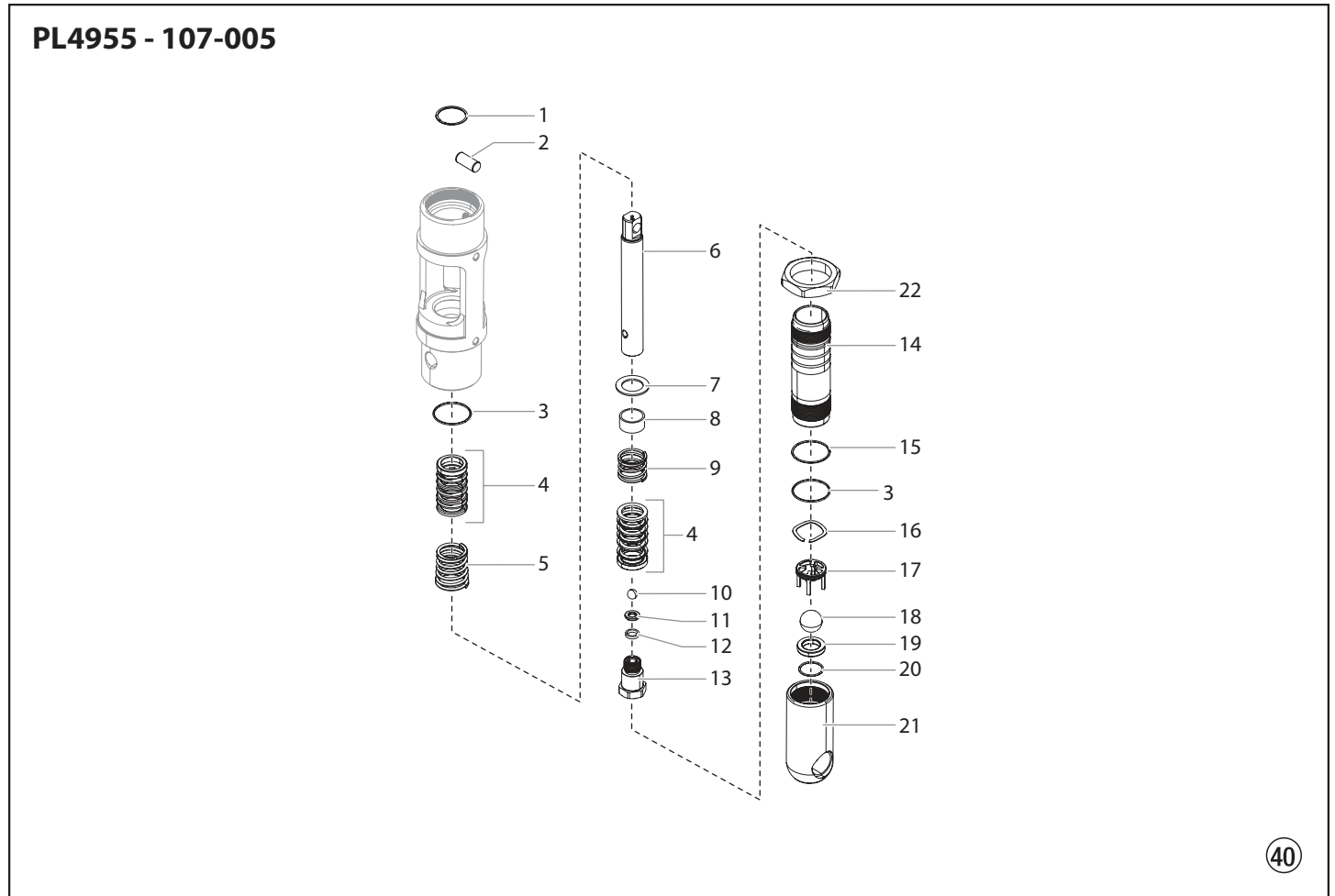


| Pos. | PL4955 | PL6955 | PL8955 | (GB) Description | (D) Benennung | (F) Description |
|------|-----------|-----------|-----------|--|---|--|
| 1 | 235-030 | 235-030 | 235-030 | Cylinder head plug | Zylinderkopfstöpsel | Fiche de la tête du cylindre |
| 2 | 441-217 | 441-217 | 441-217 | O-ring | O-ring | Joint torique |
| 3 | 858-811 | 858-811 | 858-811 | Flex lock nut | Flexible Stellmutter | Écrou de blocage souple |
| 4 | 235-018 | 235-018 | 235-018 | Trip retainer (2) | Bedienungsarretierung (2) | Dispositif de retenue du déclenchement (2) |
| 5 | 141-007 | 141-007 | 141-007 | O-ring (2) | O-ring (2) | Joint torique (2) |
| 6 | 325-005 | 325-005 | 325-005 | Trip spring (2) | Bedienungsfeder (2) | Ressort de déclenchement (2) |
| 7 | 569-016 | 569-016 | 569-016 | Ball, SS (2) | Kugel, SS (2) | Bille, SS |
| 8 | 235-112FZ | 235-112FZ | 235-112FZ | Cylinder head | Zylinderkopf | Tête du cylindre |
| 9 | 431-032 | 431-032 | 431-032 | O-ring (2) | O-ring (2) | Joint torique (2) |
| 10 | 441-908 | 441-908 | 441-908 | Spool / sleeve set | Spule / Abziehhülensatz | Ensemble tiroir/manchon |
| 11 | 441-152 | 441-152 | 441-152 | O-ring (3) | O-ring (3) | Joint torique (3) |
| 12 | 431-053 | 431-053 | 431-053 | Sleeve retainer | Abziehhülensarretierung | Dispositif de retenue du manchon |
| 13 | 431-054 | 431-054 | 431-054 | Retainer ring | Haltering | Bague de retenue |
| 14 | 235-022 | 235-022 | 235-022 | Piston retainer screw | Kolbenarretierschraube | Vis de retenue du piston |
| 15 | 235-014 | 235-014 | 235-014 | Piston | Kolben | Piston |
| 16 | 235-027 | 235-027 | 235-027 | Piston seal | Kolbendichtung | Joint du piston |
| 17 | 235-026 | 235-026 | 235-026 | O-ring | O-ring | Joint torique |
| 18 | 235-021A | 235-021A | 236-021A | Valve rod assembly | Ventilstangenbaugruppe | Tige de soupape |
| 19 | 235-948 | 235-948 | 236-948 | Piston rod | Kolbenstange | Tige du piston |
| 20 | 451-121 | 451-121 | 451-121 | Elbow, 90° | Winkel, 90° | Coude, 90° |
| 21 | 700-499 | 700-499 | 700-499 | O-ring (2) | O-ring (2) | Joint torique (2) |
| 22 | 192-051 | 192-051 | 192-051 | Elbow (includes item 21) | Winkel (beinhaltet Teile 21) | Coude (inclut le élément 21) |
| 23 | 0537563 | 0537563 | 0537531 | Motor tube | Motorenrohr | Tube moteur |
| 24 | 0537564 | 0537564 | 0537564 | Tee (includes item 21) | T-Stück (beinhaltet Teile 21) | Raccord en T (inclut le élément 21) |
| 25 | 0537565 | 0537565 | 0537565 | Fitting | Anschluss | Raccord |
| 26 | 941-555 | 941-555 | 941-555 | Ball valve | Kugelhahn | Vanne à bille |
| 27 | 235-001 | 235-001 | 235-001 | Lock ring | Seegerring | Bague de retenue |
| 28 | 235-007 | 235-007 | 236-007 | Cylinder | Zylinder | Cylindre |
| 29 | 235-028 | 235-028 | 235-028 | Rod seal | Stangendichtung | Joint de tige |
| 30 | 235-123 | 235-129 | 236-829 | Motor/pump block | Motor/Pumpenblock | Bloc moteur/pompe |
| 31 | 0290338 | 0290338 | 0290337 | Return hose assembly | Rücklaufschlauch | Tuyau de retour |
| | 235-050 | 235-050 | 235-050 | Motor service kit, minor (includes items 2, 3, 5-7, 9, 11, 16, 17, and 29) | Motorenservicesatz — klein (beinhaltet Teile 2-3, 5-7, 9, 11, 16, 17, und 29) | Kit d'entretien du moteur – mineur (inclut les éléments 2 à 3, 5 à 7, 9, 11, 16 à 17, et 29) |
| | 0537928 | 0537928 | 0537926 | Motor tube kit (includes items 21-25) | Motorrohr-Kit (beinhaltet Teile 21-25) | Kit tube à moteur (inclut les éléments 21 à 25) |

Ⓒ Fluid Section

Ⓓ Flüssigkeitsbereich

Ⓕ Section des liquides

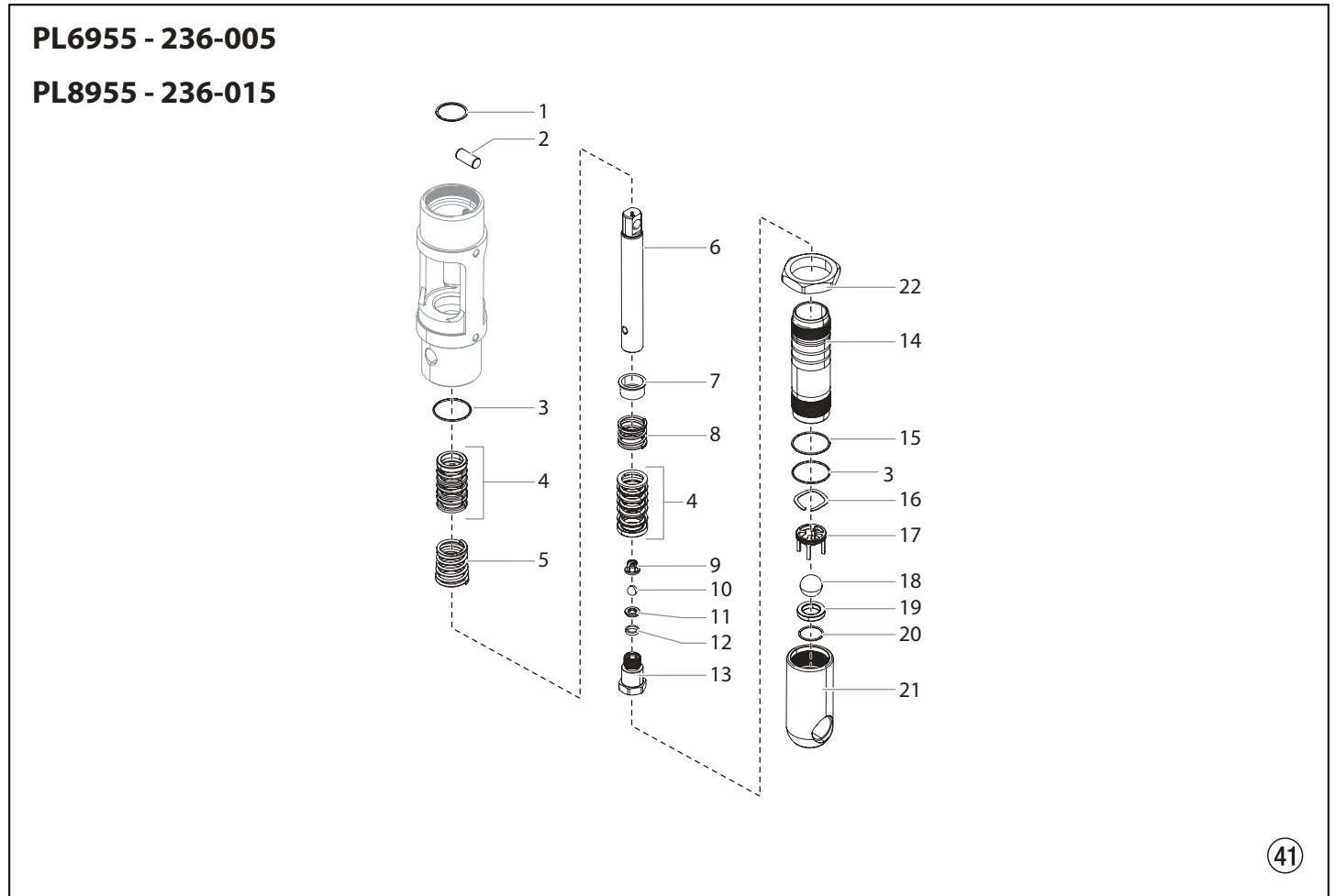


| Pos. | PL4955 | (GB) Description | (D) Benennung | (F) Description |
|------|----------|---|---|---|
| 1 | 143-019 | Retaining ring | Spiralring | Bague spiralée |
| 2 | 107-003 | Connecting pin | Verbindungsstift | Goupille de liaison |
| 3 | 106-015 | O-ring, PTFE (2) | O-ring, PTFE (2) | Joint torique, PTFE (2) |
| 4 | 106-002A | Packing set, leather/UHMWPE/steel (2) | Dichtungssatz, Leder/ Ultrahochmolekulargewichtiges Polyethylen/Stahl (2) | Garniture, cuir/UHMWPE/acier (2) |
| 5 | 106-005 | Upper packing spring (2) | Konusfeder (2) | Ressort de garniture supérieure (2) |
| 6 | 107-029 | Displacement rod | Kolbenstange | Tige de piston |
| 7 | 106-001 | Spring retainer | Federhalter | Ressort conique |
| 8 | 106-116 | Sleeve | Abziehhülse | Manchon |
| 9 | 106-016 | Lower packing spring | Druckfeder | Ressort de garniture inférieure |
| 10 | 569-021 | Outlet valve ball | Kugel | Bille |
| 11 | 107-058 | Outlet valve seat | Auslassventilsitz | Siège du clapet de refoulement |
| 12 | 107-060 | Seal washer | Scheibe | Rondelle |
| 13 | 107-055 | Outlet valve housing | Auslassventilgehäuse | Corps du clapet de refoulement |
| 14 | 107-946 | Pump cylinder | Zylinder | Cylindre |
| 15 | 106-014 | O-ring | O-ring | Joint torique |
| 16 | 236-020 | Wave washer | Scheibe | Rondelle |
| 17 | 107-056 | Foot valve cage | Kugelführung | Guide de bille |
| 18 | 138-340 | Foot valve ball | Kugel | Bille |
| 19 | 762-137 | Foot valve seat | Einlassventilsitz | Siège |
| 20 | 762-058 | Seat o-ring | Sitz o-ring | Siège du joint torique |
| 21 | 107-057 | Foot valve housing | Einlassventilgehäuse | Logement du clapet de pied |
| 22 | 0528299 | Jam nut | Seegerring | Bague de retenue |
| | 107-501 | Fluid section service kit, major (includes items 6, 14, and fluid section service kit, minor P/N 107-051) | Flüssigkeitsbereich Wartungssatz, gross (beinhaltet Teile 6, 14 und Flüssigkeitsbereich Wartungssatz, klein P/N 107-051) | Kit de maintenance de la section des liquides, principal (inclut les éléments 6, 14, et le kit de maintenance de la section des fluides, mineur, n° de pièce 107-051) |
| | 107-051 | Fluid section service kit, minor (includes items 1, 3, 4, 8, 10, 12, 15, 18, 20, Loctite P/N 426-051 and PTFE tape P/N 317-857) | Flüssigkeitsbereich Wartungssatz, klein (beinhaltet Teile 1, 3, 4, 8, 10, 12, 15, 18, 20, Loctite P/N 426-051 und PTFE 317-857) | Kit de maintenance de la section des liquides, mineur (inclut les éléments 1, 3, 4, 8, 10, 12, 15, 18, 20, Loctite n° de pièce 426-051 et PTFE n° de pièce 317-857) |
| | 107-015A | Foot valve assembly (includes items 16–21) | Einlassventilbaugruppe (beinhaltet Teile 16–21) | Clapet de pied (inclut les éléments 16–21) |
| | 107-016 | Outlet valve assembly (includes items 10–13) | Abllassventilbaugruppe (beinhaltet Teile 10–13) | Soupape de sortie (inclut les éléments 10–13) |

Ⓒ GB Fluid Section

Ⓓ Flüssigkeitsbereich

Ⓕ F Section des liquides

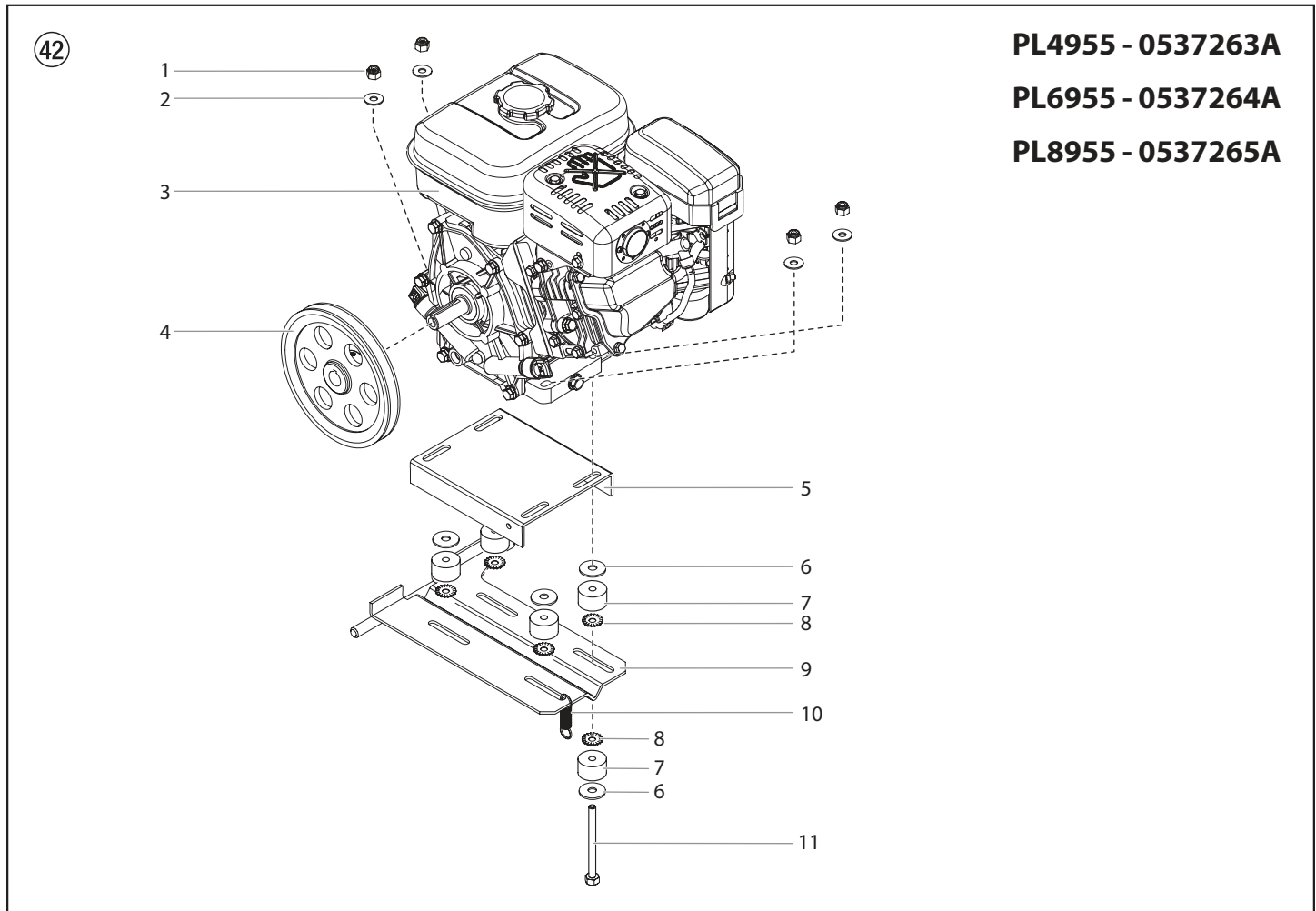


| Pos. | PL6955 | PL8955 | GB Description | D Benennung | F Description |
|------|----------|----------|---|---|---|
| 1 | 143-019 | 143-019 | Retaining ring | Spiralring | Bague spiralée |
| 2 | 143-120 | 143-120 | Connecting pin | Verbindungsstift | Goupille de liaison |
| 3 | 145-031 | 145-031 | O-ring, PTFE (2) | O-ring, PTFE (2) | Joint torique, PTFE (2) |
| 4 | 138-153A | 138-153A | Packing set, leather/UHMWPE/steel (2) | Dichtungssatz, Leder/ Ultrahochmolekular-gewichtiges Polyethylen/Stahl (2) | Garniture, cuir/UHMWPE/acier (2) |
| 5 | 142-004 | 142-004 | Upper packing spring (2) | Konusfeder (2) | Ressort de garniture supérieure (2) |
| 6 | 143-127 | 144-117 | Displacement rod | Kolbenstange | Tige de piston |
| 7 | 138-001 | 138-001 | Spring retainer | Federhalter | Ressort conique |
| 8 | 142-003 | 142-003 | Lower packing spring | Druckfeder | Ressort de garniture inférieure |
| 9 | 451-085 | 451-085 | Outlet valve cage | Ablassventilkorb | Cage de soupape de sortie |
| 10 | 0509710 | 0509710 | Outlet valve ball | Kugel | Bille |
| 11 | 236-012 | 236-012 | Outlet valve seat | Auslassventilsitz | Siège du clapet de refoulement |
| 12 | 236-032 | 236-032 | Seal washer | Scheibe | Rondelle |
| 13 | 236-031 | 236-031 | Outlet valve housing | Auslassventilgehäuse | Corps du clapet de refoulement |
| 14 | 143-822 | 144-832 | Pump cylinder | Zylinder | Cylindre |
| 15 | 140-009 | 140-009 | O-ring | O-ring | Joint torique |
| 16 | 236-030 | 236-030 | Wave washer | Scheibe | Rondelle |
| 17 | 236-141 | 236-141 | Foot valve cage | Kugelführung | Guide de bille |
| 18 | 0509707 | 0509707 | Foot valve ball | Kugel | Bille |
| 19 | 0509623 | 0509623 | Foot valve seat | Einlassventilsitz | Siège |
| 20 | 0509708 | 0509708 | Seat o-ring | Sitz o-ring | Siège du joint torique |
| 21 | 236-126 | 236-126 | Foot valve housing | Einlassventilgehäuse | Logement du clapet de pied |
| 22 | 0528296 | 0528296 | Jam nut | Seegerring | Bague de retenue |
| | 143-500 | 144-500 | Fluid section service kit, major (includes items 6, 14, and fluid section service kit, minor P/N 144-050) | Flüssigkeitsbereich Wartungssatz, gross (beinhaltet Teile 6, 14 und Flüssigkeitsbereich Wartungssatz, klein P/N 144-050) | Kit de maintenance de la section des liquides, principal (inclut les éléments 6, 14, et le kit de maintenance de la section des fluides, mineur, n° de pièce 144-050) |
| | 143-050 | 144-050 | Fluid section service kit, minor (includes items 1, 3, 4, 10, 12, 15, 18, 20, and Loctite P/N 426-051) | Flüssigkeitsbereich Wartungssatz, klein (beinhaltet Teile 1, 3, 4, 10, 12, 15, 18, 20, und Loctite P/N 426-051) | Kit de maintenance de la section des liquides, mineur (inclut les éléments 1, 3, 4, 10, 12, 15, 18, 20 et Loctite n° de pièce 426-051) |
| | 236-010A | 236-010A | Foot valve assembly (includes items 16-21) | Einlassventilbaugruppe (beinhaltet Teile 16-21) | Clapet de pied (inclut les éléments 16-21) |
| | 236-050 | 236-050 | Outlet valve assembly (includes items 9-13) | Ablassventilbaugruppe (beinhaltet Teile 9-13) | Soupape de sortie (inclut les éléments 9-13) |

(GB) Gas Convertokit

(D) Convertokit, Benzinmotor

(F) Convertokit à essence

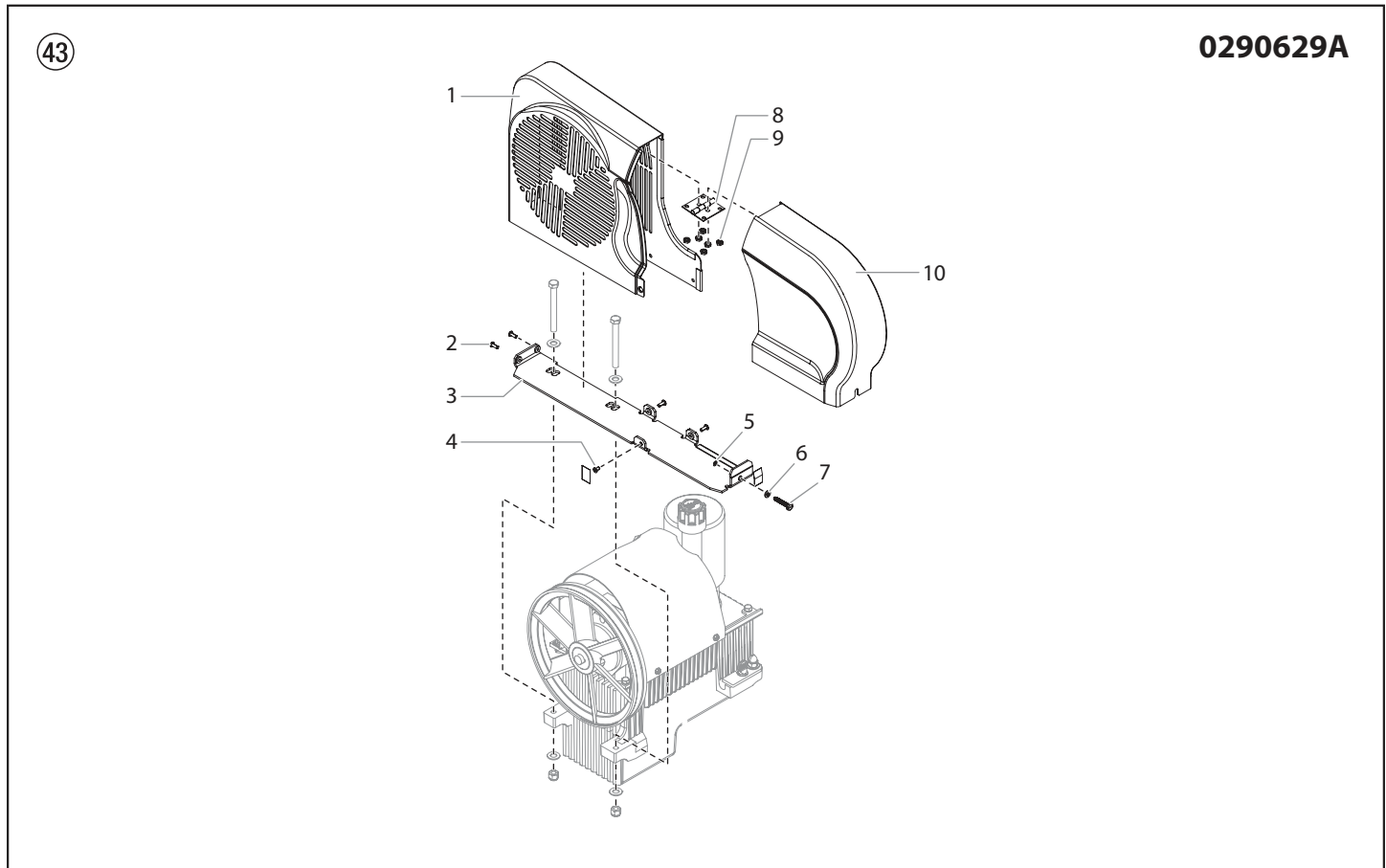


| Pos. | PL4955 | PL6955 | PL8955 | (GB) Description | (D) Benennung | (F) Description |
|------|----------|----------|----------|---|--|--|
| 1 | 9811122 | 9811122 | 9811122 | Stop nut (4) | Stellmutter (4) | Écrou d'arrêt (4) |
| 2 | 860-004 | 860-004 | 860-004 | Washer (4) | Scheibe (4) | Rondelle (4) |
| 3 | 980-332A | ----- | ----- | Engine, gas, 3.7 Hp, Honda | Benzinmotor, 3,7 PS, Honda | Moteur, essence 3,7 Honda |
| | ----- | 0537546A | ----- | Engine, gas, 4.8 Hp, Honda (electric start) | Benzinmotor, 4,8 PS, Honda (Elektroanlasser) | Moteur, essence 4,8 Honda (démarrage électrique) |
| | ----- | ----- | 0537547A | Engine, gas, 5.5 Hp, Honda (electric start) | Benzinmotor, 5,5 PS, Honda (Elektroanlasser) | Moteur, essence 5,5 Honda (démarrage électrique) |
| 4 | 980-106 | 0528717 | 0290797 | Pulley | Seilrolle | Poulie |
| 5 | 449-144 | 449-144 | 449-144 | Bracket | Halterung | Support |
| 6 | 0294446 | 0294446 | 0294446 | Washer (8) | Scheibe (8) | Rondelle (8) |
| 7 | 0290683 | 0290683 | 0290683 | Vibration pad (8) | Vibrationskissen (8) | Coussinet isolant (8) |
| 8 | 9822639 | 9822639 | 9822639 | Star washer (8) | Sternscheibe (8) | Rondelle éventail (8) |
| 9 | 0290484 | 0290132 | 0290132 | Mounting plate | Montageplatte | Plaque de fixation |
| 10 | 424-255 | 424-255 | 424-255 | Spring | Feder | Ressort |
| 11 | 9800088 | 9800088 | 9800088 | Screw (4) | Scraube (4) | Vis (4) |

Ⓒ Belt Guard Assembly

Ⓓ Keilriemenbaugruppe

Ⓕ Protège-courroie

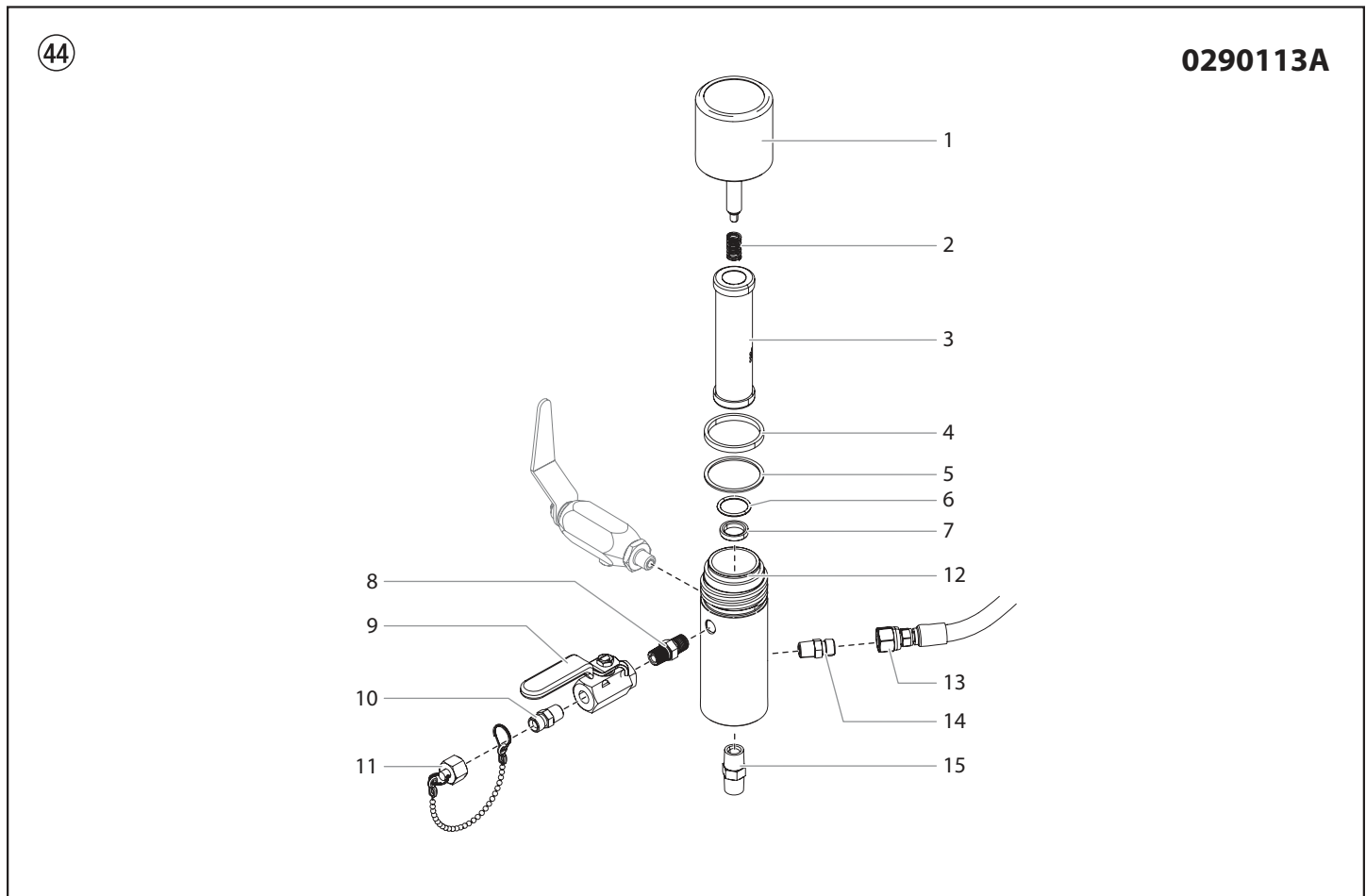


| Pos. | PL4955 | PL6955 | PL8955 | Ⓒ Description | Ⓓ Benennung | Ⓕ Description |
|------|----------|----------|----------|-------------------|----------------------|----------------------------|
| 1 | 0290628A | 0290628A | 0290628A | Belt guard, rear | Riemenschutz, hinten | Protège-courroie, derrière |
| 2 | 9805415 | 9805415 | 9805415 | Screw (4) | Schraube (4) | Vis (4) |
| 3 | 0290626A | 0290626A | 0290626A | Bracket | Befestigungswinkel | Equerre de fixation |
| 4 | 9805413 | 9805413 | 9805413 | Screw | Schraube | Vis |
| 5 | 9822523 | 9822523 | 9822523 | Retaining ring | Sicherungsring | Bague de retenue |
| 6 | 859-001 | 859-001 | 859-001 | Washer | Scheibe | Rondelle |
| 7 | 0528345 | 0528345 | 0528345 | Bolt | Knopf | Bouton |
| 8 | 0290794 | 0290794 | 0290794 | Hinge | Gelenkstück | Charnière |
| 9 | 0524318 | 0524318 | 0524318 | Nut | Mutter | Écrou |
| 10 | 0290627A | 0290627A | 0290627A | Belt guard, front | Riemenschutz, vorne | Protège-courroie, devant |

(GB) High Pressure Filter

(D) Hochdruckfilter

(F) Filtre à haute pression



Filter Assembly Specifications

Maximum Working Pressure..... 5000 psi (34.5 MPa)

Filter Area 18 In² (116 cm²)

Outlet Ports (1) 1/4" NPT(F) for bleed valve
 (1) 1/4" NPT(F) with 1/4 NPSM(M) hose connection
 (1) 1/4" NPT(F) plugged for additional gun hookup.

Wetted Parts..... Carbon steel with electroless nickel and cadmium plating, stainless steel, tungsten carbide, PTFE

Spezifikationen

Maximaler Arbeitsdruck..... 34,5 MPa (5000 psi)

Filterbereich 116 cm² (18 In²)

Ablassöffnungen..... (1) 1/4" NPT(F) für das Ablassventil
 (1) 1/4" NPT(F) mit 1/4 NPSM(M) Schlauchverbindung
 (1) 1/4" NPT(F) verschlossen, für zusätzliche Spritzpistolenanschluss.

Nasteile..... Stromloser vernickelter unlegierter Kohlenstoffstahl, Edelstahl, Wolframcarbid, PTFE

Caractéristiques

Pression de travail maximale 34,5 MPa (5000 psi)

Surface du filtre..... 116 cm² (18 In²)

Orifices de sortie (1) 1/4" NPT(F) pour la soupape de décharge
 (1) 1/4" NPT(F) avec raccord de tuyau 1/4 NPSM(M)
 (1) 1/4" NPT(F) branché pour la connexion d'un pistolet supplémentaire.

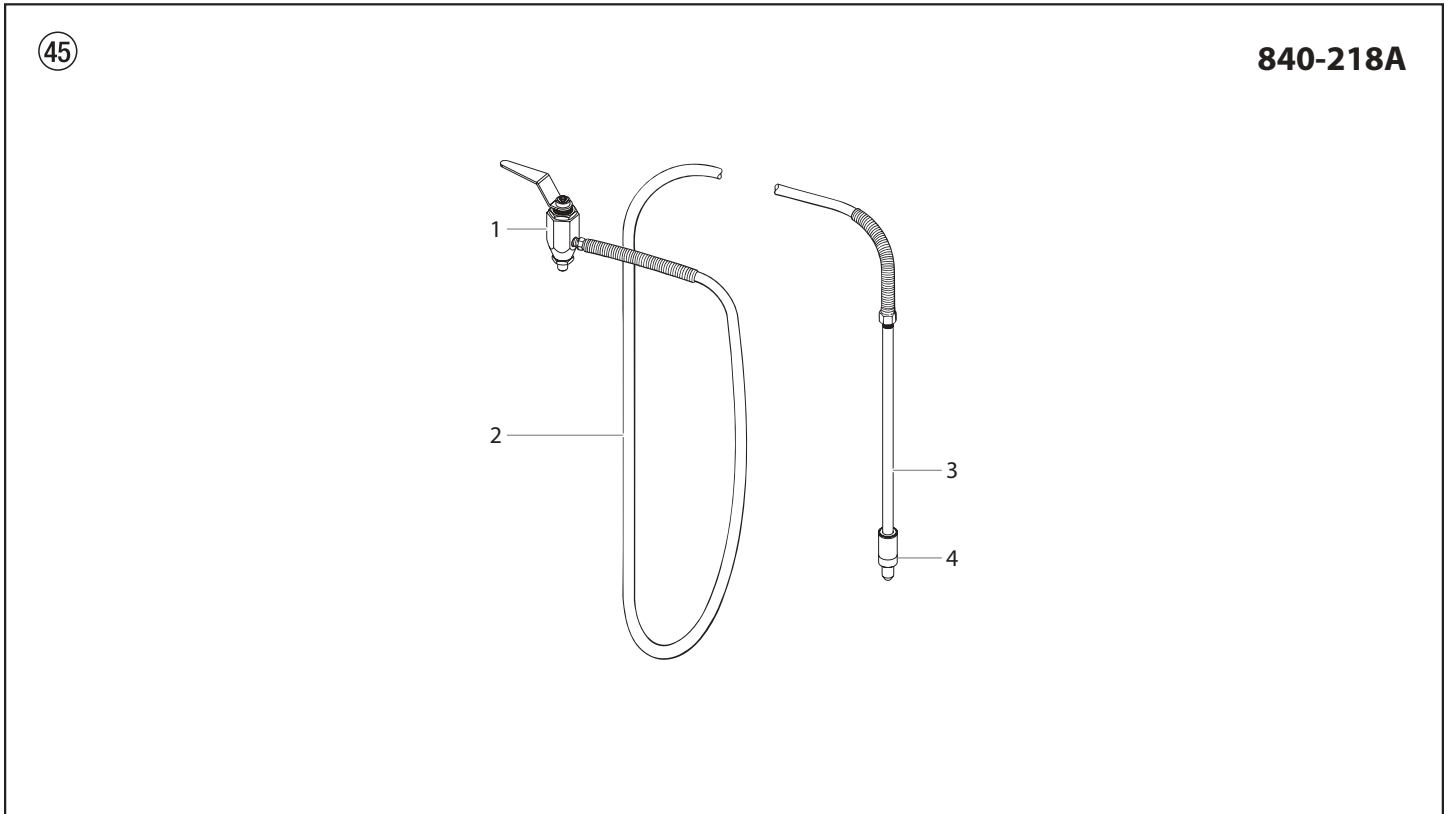
Pièces mouillées Acier au carbone avec revêtement de nickel et cadmium autocatalytiques, acier inoxydable, carbure de tungstène, PTFE.

| Pos. | PL4955 | PL6955 | PL8955 | Ⓒ Description | Ⓓ Benennung | Ⓕ Description |
|------|----------|----------|----------|---|---|--|
| 1 | 0290443A | 0290443A | 0290443A | Filter cap assembly | Gehäusedeckel | Couvercle du corps |
| 2 | 930-020 | 930-020 | 930-020 | Spring | Druckfeder | Ressort |
| 3 | 930-006 | 930-006 | 930-006 | Filter element, 50 M, with ball | Filterpatrone, 50 Maschen, mit Kugel | Cartouche de filtre 50 mailles, avec bille |
| | ----- | 930-005* | 930-005* | Filter element, 5 M, with ball | Filterpatrone, 5 Maschen, mit Kugel | Cartouche de filtre 5 mailles, avec bille |
| | ----- | 930-007* | 930-007* | Filter element, 100 M, with ball | Filterpatrone, 100 Maschen, mit Kugel | Cartouche de filtre 100 mailles, avec bille |
| 4 | 920-006 | 920-006 | 920-006 | Gasket, PTFE (thick) | Dichtung dick | Joint épais |
| 5 | 920-070 | 920-070 | 920-070 | Gasket, PTFE (thin) | Dichtung dünn | Joint mince |
| 6 | 891-193 | 891-193 | 891-193 | O-ring, PTFE | O-Ring | Joint torique, PTFE |
| 7 | 180-909 | 180-909 | 180-909 | Seat, tungsten carbide | Ventilsitz | Siège de soupape |
| 8 | 814-002 | 814-002 | 814-002 | Hex nipple | Sechskantnippel | Raccord hexagonal |
| 9 | 940-553 | 940-553 | 940-553 | Ball valve | Ballventil | Soupape à bille |
| 10 | 227-006 | 227-006 | 227-006 | Hex nipple | Sechskantnippel | Raccord hexagonal |
| 11 | 730-222 | 730-222 | 730-222 | Outlet cap assembly | Ablassdeckelaufbau | Bouchon femelle |
| 12 | 0290993 | 0290993 | 0290993 | Filter body | Gehäuse | Corps |
| 13 | 0290339 | 0290339 | 0290339 | Hose assembly, 1/4" | Schlauch, 1/4" | Tuyau 1/4" |
| 14 | 227-006 | 227-006 | 227-006 | Fitting | Anschluss | Raccord |
| 15 | 814-004 | 814-004 | 814-004 | Fitting | Anschluss | Raccord |
| | 930-050 | 930-050 | 930-050 | Filter service kit (includes items 2 and 4-6) | Filterwartungssatz (beinhaltet Teile 2 und 4-6) | Kit d'entretien du filtre (inclut les éléments 2 et 4-6) |

* Optional / Optional / Facultatif

- Ⓒ **Bleed Hose Assembly with Valve**
- Ⓕ **Assemblage du tuyau de décharge avec soupape**

- Ⓓ **Ablassschlauchbaugruppe mit Ventil**

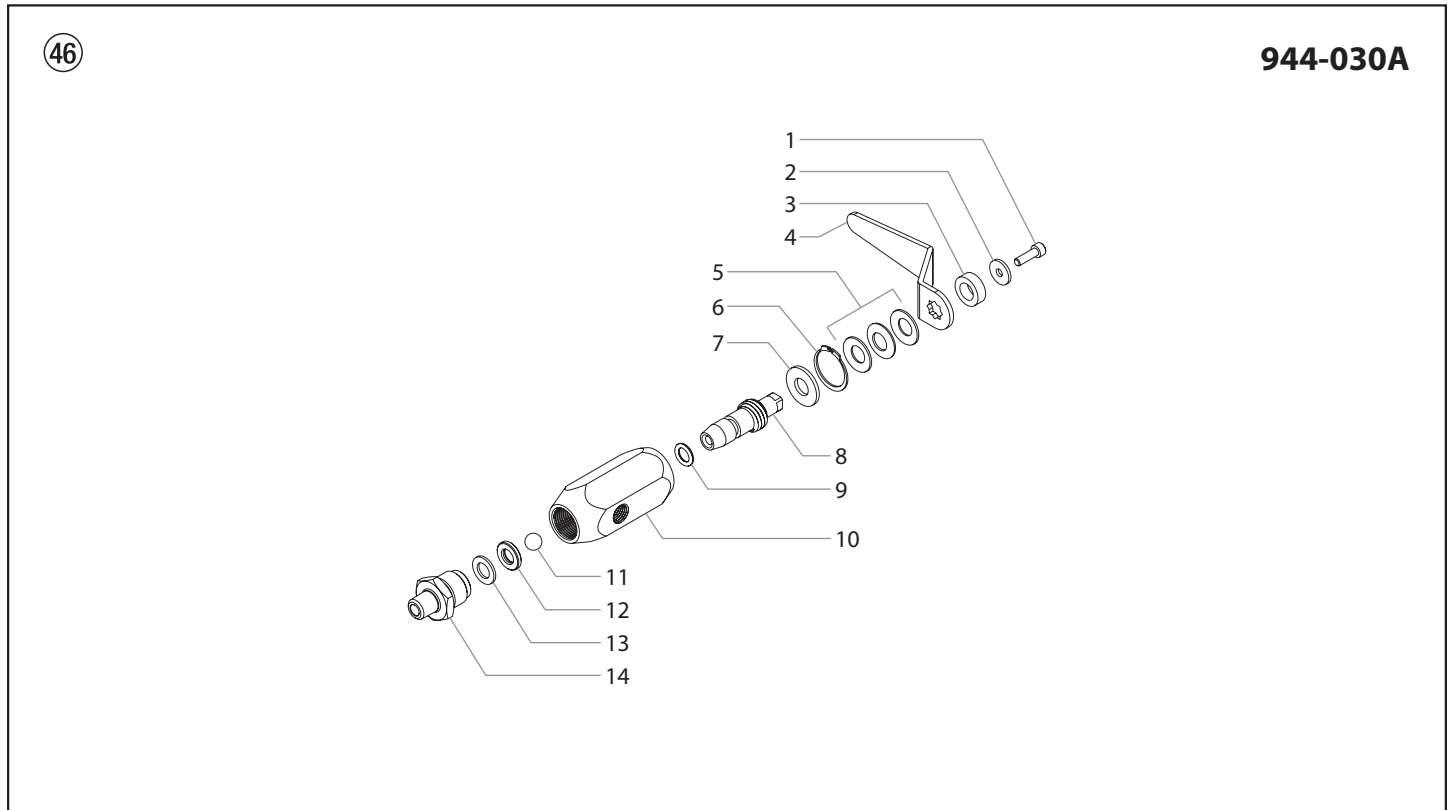


| Pos. | PL4955 | PL6955 | PL8955 | Ⓒ Description | Ⓓ Benennung | Ⓕ Description |
|------|----------|----------|----------|---|--|--|
| 1 | 944-030A | 944-030A | 944-030A | Bleed valve | Ablassventilbaugruppe | Assemblage de la soupape de décharge |
| 2 | 500-515 | 500-515 | 500-515 | Hose assembly | Schlauchbaugruppe | Tuyau |
| 3 | 103-300A | 103-300A | 103-300A | Bleed tube (includes item 4) | Ablassrohr (beinhaltet Teil 4) | Tube de décharge (inclut l'élément 4) |
| 4 | 103-118 | 103-118 | 103-118 | Diffuser | Düse | Diffuseur |
| | 335-590A | 335-590A | 335-590A | Bleed line assembly (includes items 2-4) | Baugruppe Entlüftungsleitung (beinhaltet 2-4 Pos.) | Ensemble de tube de décharge (inclut les éléments 2 à 3) |
| | 944-040 | 944-040 | 944-040 | Bleed valve kit (includes items 1, 4 and bushing P/N 191-211) | Kit für Auslassventil (beinhaltet Pos. 1, 4 sowie Hülse P/N 191-211) | Trousse de la soupape de décharge (inclut les articles 1 et 4, ainsi que la bague dont le no de pièce est 191-211) |

(GB) **Bleed Valve Assembly**

(D) **Ablassschlauchbaugruppe**

(F) **Assemblage de la soupape de décharge**

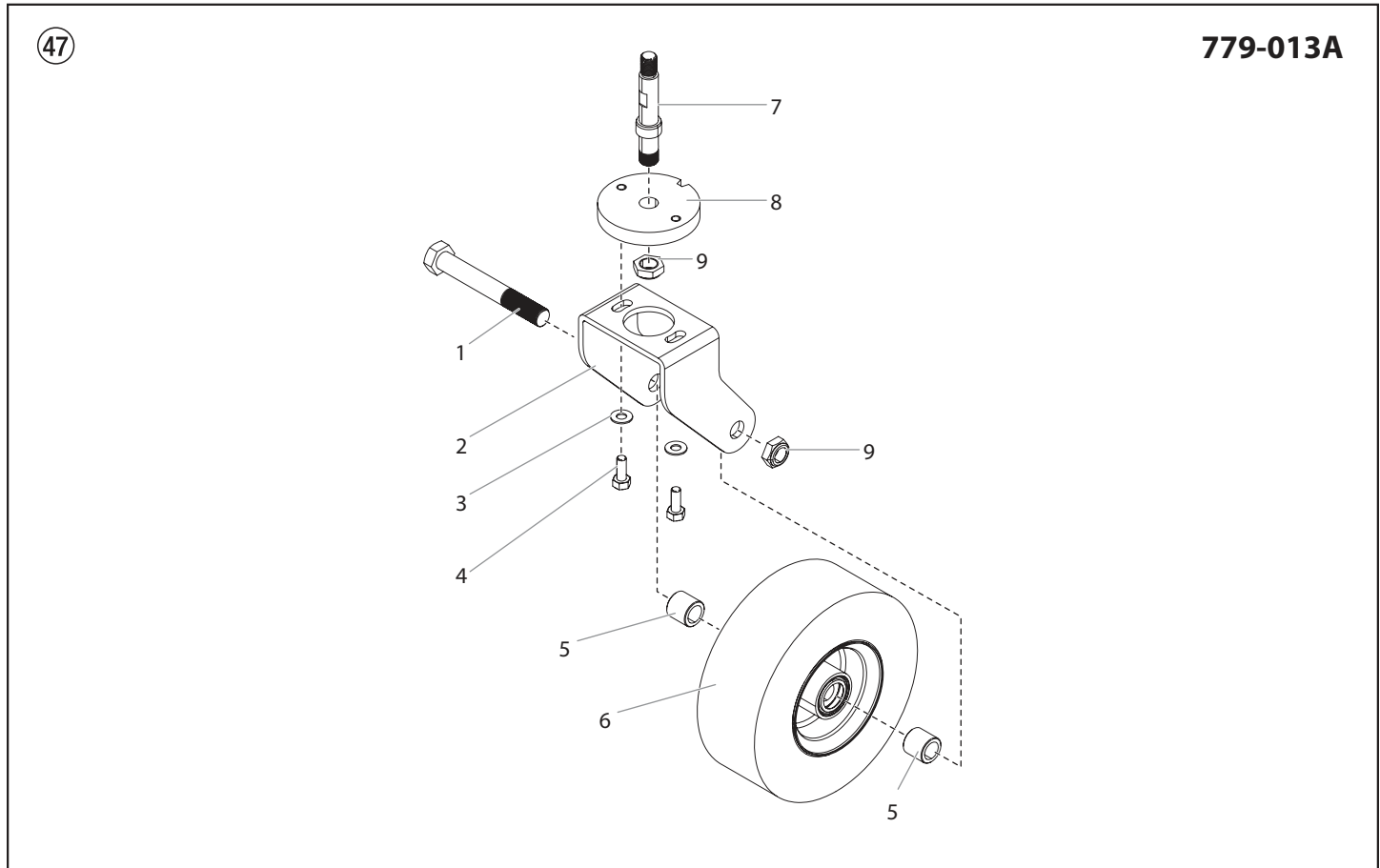


| Pos. | PL4955 | PL6955 | PL8955 | (GB) Description | (D) Benennung | (F) Description |
|------|---------|---------|---------|---------------------|------------------------|--|
| 1 | 944-047 | 944-047 | 944-047 | Hex screw | Sechskantschraube | Vis hexagonale |
| 2 | 944-029 | 944-029 | 944-029 | Flat washer | Schiebe | Rondelle |
| 3 | 0295731 | 0295731 | 0295731 | Spacer | Abstandhalter | Entretoise |
| 4 | 0295730 | 0295730 | 0295730 | Valve handle | Ventilgriff | Poignée de la soupape |
| 5 | 9820905 | 9820905 | 9820905 | Spring washer (3) | Federscheibe (3) | Rondelle de ressort (3) |
| 6 | 9822516 | 9822516 | 9822516 | Retaining ring | Haltering | Bague de retenue |
| 7 | 0294501 | 0294501 | 0294501 | Valve washer | Ventilunterlagsscheibe | Rondelle de soupape |
| 8 | 944-011 | 944-011 | 944-011 | Valve stem | Ventilschaltspindel | Tige de soupape |
| 9 | 9871045 | 9871045 | 9871045 | Stem O-ring | Schaltspindel O-Ring | Joint torique de la tige |
| 10 | 944-009 | 944-009 | 944-009 | Valve housing | Ventilgehäuse | Logement de la soupape |
| 11 | 9841502 | 9841502 | 9841502 | Ball | Kugel | Bille |
| 12 | 0294516 | 0294516 | 0294516 | Valve seat | Ventilsitz | Siège de la soupape |
| 13 | 0294499 | 0294499 | 0294499 | Valve seal | Ventildichtung | Joint de la soupape |
| 14 | 944-013 | 944-013 | 944-013 | Valve seat retainer | Ventilsitzhalter | Dispositif de retenue du siège de la soupape |

(GB) Caster Assembly

(D) Sprüherbaugruppe

(F) Assemblage de la roulette

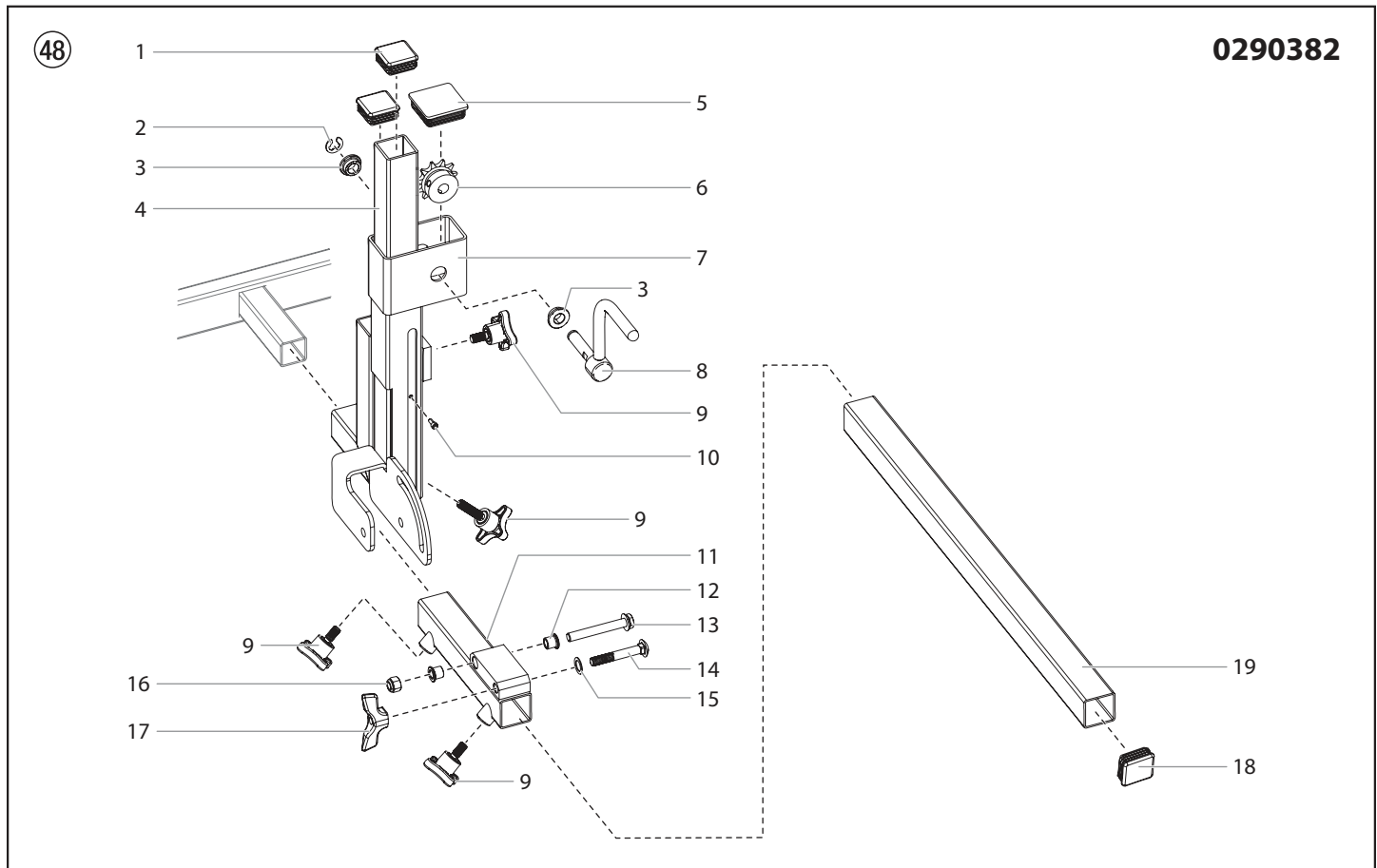


| Pos. | PL4955 | PL6955 | PL8955 | (GB) Description | (D) Benennung | (F) Description |
|------|---------|---------|---------|---------------------|-----------------------|----------------------|
| 1 | 779-018 | 779-018 | 779-018 | Axle | Achse | Essieu |
| 2 | 779-011 | 779-011 | 779-011 | Frame | Gehäuse | Châssis |
| 3 | 862-001 | 862-001 | 862-001 | Washer (2) | Scheibe (2) | Rondelle (2) |
| 4 | 862-436 | 862-436 | 862-436 | Bolt (2) | Sechskantschraube (2) | Vis hexagonale (2) |
| 5 | 779-017 | 779-017 | 779-017 | Spacer (2) | Abstandhalter (2) | Entretoise (2) |
| 6 | 779-016 | 779-016 | 779-016 | Wheel | Rad | Roue |
| 7 | 779-014 | 779-014 | 779-014 | Shaft | Schaft | Arbre |
| 8 | 779-012 | 779-012 | 779-012 | Locating ring | Ortungsring | Rondelle de centrage |
| 9 | 779-019 | 779-019 | 779-019 | Lock nut (2) | Stellmutter (2) | Écrou de blocage (2) |

(GB) Lift / tilt assembly

(D) Baugruppe Hebe-/Kippvorrichtung

(F) Ensemble servant à lever ou incliner

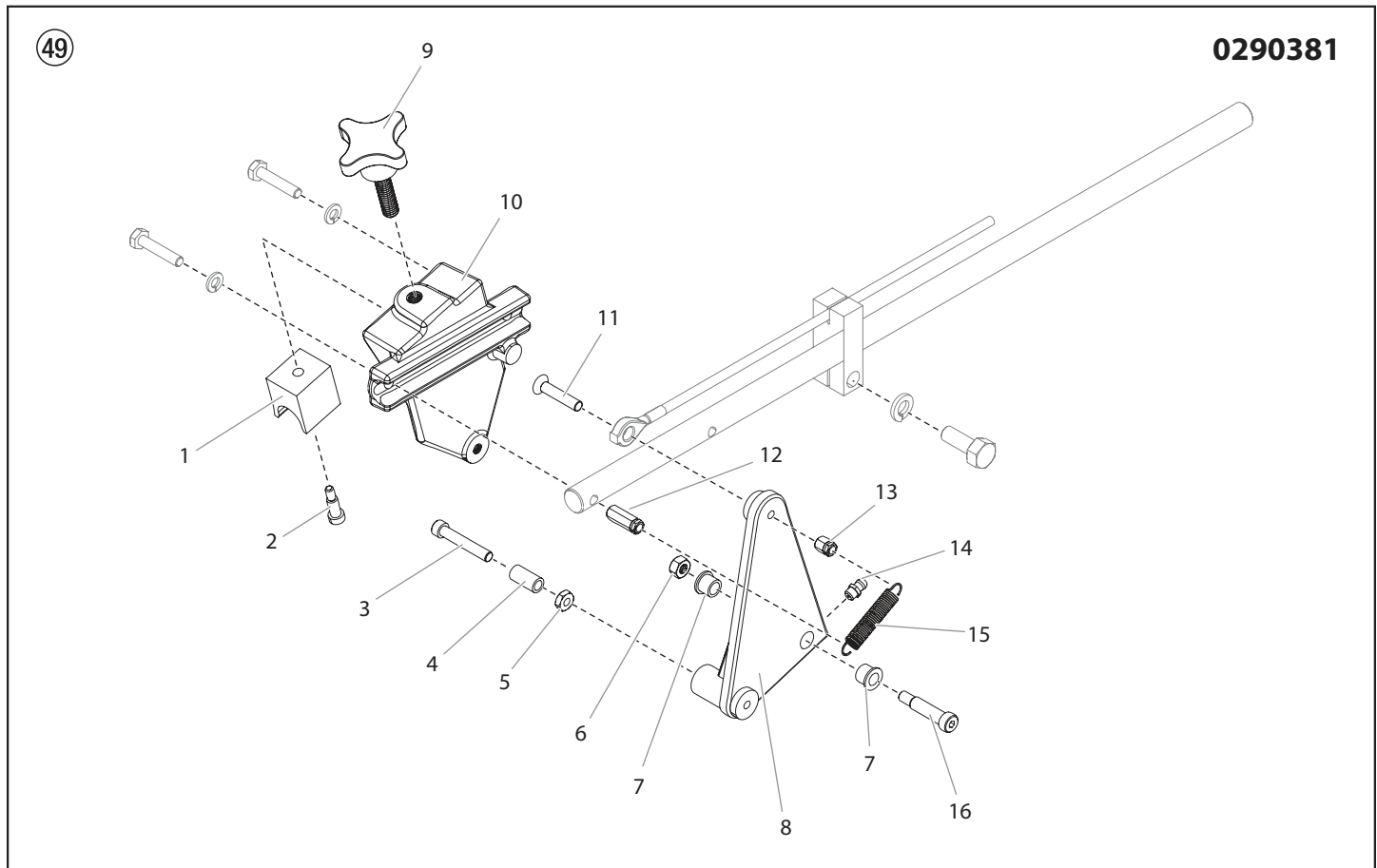


| Pos. | PL4955 | PL6955 | PL8955 | (GB) Description | (D) Benennung | (F) Description |
|------|----------|----------|----------|--------------------------|--|---|
| 1 | 451-052 | 451-052 | 451-052 | Plastic plug (2) | Plastikstöpsel (2) | Fiche en plastique (2) |
| 2 | 0290997 | 0290997 | 0290997 | Retaining ring | Spiralring | Bague spiralée |
| 3 | 0290995 | 0290995 | 0290995 | Bushing (2) | Buchse (2) | Bague de réduction (2) |
| 4 | 0290112A | 0290112A | 0290112A | Gun support | Pistolenhalter | Support à pistolet |
| 5 | 0290998 | 0290998 | 0290998 | Plastic plug | Plastikstöpsel | Fiche en plastique |
| 6 | 0290996 | 0290996 | 0290996 | Sprocket | Kettenrad | Pignon |
| 7 | 0290111A | 0290111A | 0290111A | Frame | Rahmen | Châssis |
| 8 | 0290891A | 0290891A | 0290891A | Crank | Kurbel | Manivelle |
| 9 | 759-306 | 759-306 | 759-306 | Clamping knob (4) | Klemmungsknopf (4) | Bouton de serrage (4) |
| 10 | 756-076 | 756-076 | 756-076 | Screw | Schraube | Vis |
| 11 | 0290330A | 0290330A | 0290330A | Gun support bar receiver | Aufnahme der Haltevorrichtung Pistole | Dispositif de réception du support de pistolet |
| 12 | 0290351 | 0290351 | 0290351 | Bearing (2) | Lager (2) | Palier (2) |
| 13 | 9805457 | 9805457 | 9805457 | Screw | Schraube | Vis |
| 14 | 0290362 | 0290362 | 0290362 | Bolt | Sechskantschraube | Vis hexagonale |
| 15 | 0290373 | 0290373 | 0290373 | Washer | Scheibe | Rondelle |
| 16 | 862-410 | 862-410 | 862-410 | Nut | Mutter | Écrou |
| 17 | 779-078 | 779-078 | 779-078 | Wing knob | Flügeldrehkopf | Poignée à oreilles |
| 18 | 757-055 | 757-055 | 757-055 | Plastic end cap | Plastikabschlusskappe | Chapeau en plastique |
| 19 | 0290328 | 0290328 | 0290328 | Gun support bar | Spritzpistolenhaltestange | Barre de support du pistolet |

(GB) Gun Holder Assembly

(D) Baugruppe Pistolenhalter

(F) Ensemble de support à pistolet

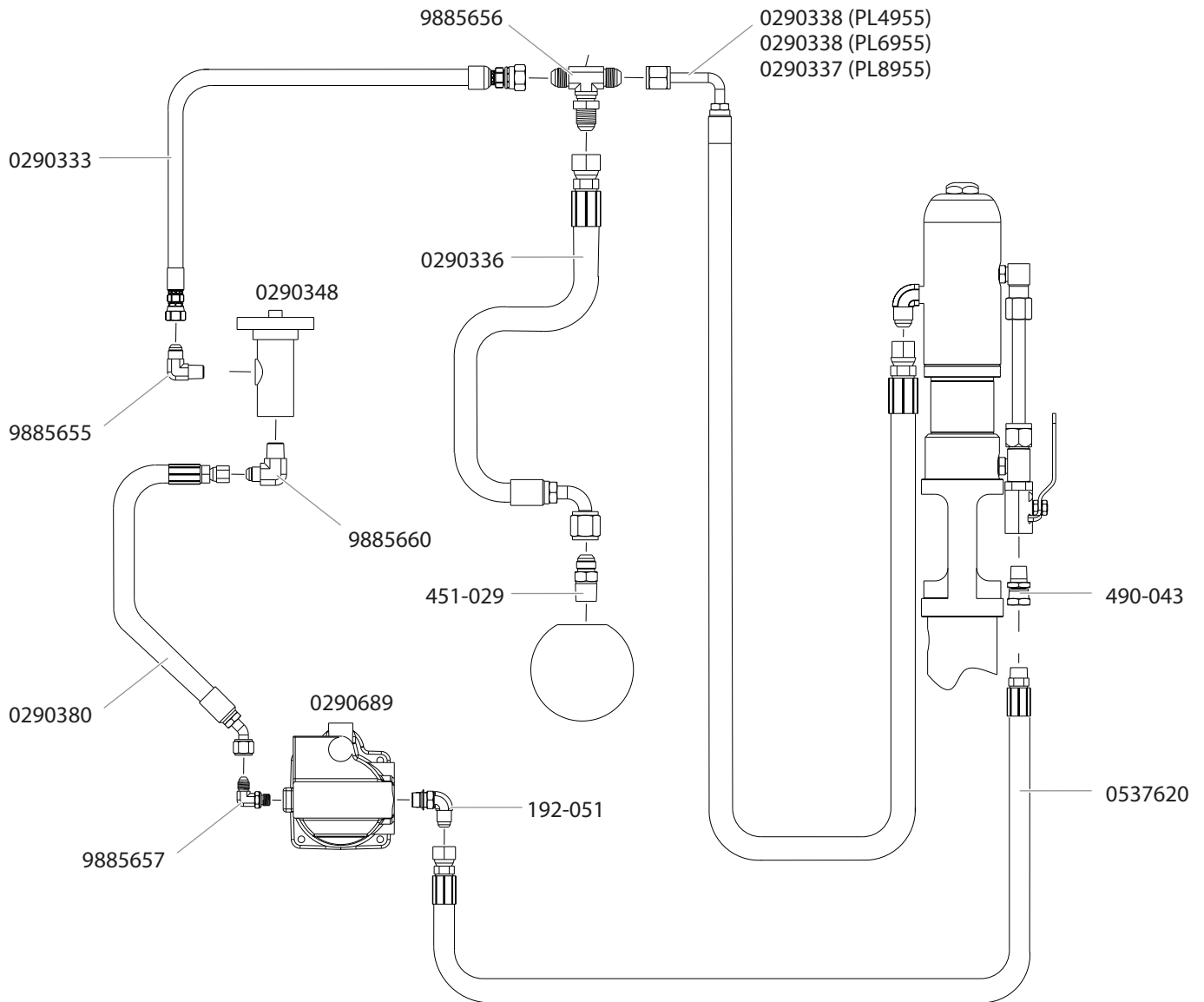


| Pos. | PL4955 | PL6955 | PL8955 | (GB) Description | (D) Benennung | (F) Description |
|------|---------|---------|---------|-----------------------|----------------------|----------------------------|
| 1 | 779-106 | 779-106 | 779-106 | Clamp block | Klemmblock | Bloc de blocage |
| 2 | 756-037 | 756-037 | 756-037 | Shoulder screw | Schraube | Vis à épaulement |
| 3 | 858-653 | 858-653 | 858-653 | Shoulder screw | Schraube | Vis à épaulement |
| 4 | 424-249 | 424-249 | 424-249 | Sleeve bearing | Gleitlager | Palier applique |
| 5 | 858-603 | 858-603 | 858-603 | Jam nut | Blockierungsmutter | Contre-écrou |
| 6 | 858-601 | 858-601 | 858-601 | Jam nut | Blockierungsmutter | Contre-écrou |
| 7 | 424-249 | 424-249 | 424-249 | Flange bearing (3) | Flanschlager (3) | Palier applique (3) |
| 8 | 424-202 | 424-202 | 424-202 | Lever | Hebel | Levier |
| 9 | 756-034 | 756-034 | 756-034 | Clamping knob | Klemmungsknopf | Bouton de serrage |
| 10 | 424-233 | 424-233 | 424-233 | Gun holder | Spritzpistolenhalter | Support du pistolet |
| 11 | 703-079 | 703-079 | 703-079 | Screw | Schraube | Vis |
| 12 | 759-057 | 759-057 | 759-057 | Spring holder (long) | Federhalter (lang) | Support de ressort (long) |
| 13 | 759-056 | 759-056 | 759-056 | Spring holder (short) | Federhalter (kurz) | Support de ressort (court) |
| 14 | 762-052 | 762-052 | 762-052 | Grease fitting | Schmierfitting | Graisseur |
| 15 | 0509781 | 0509781 | 0509781 | Return spring | Rückholfeder | Ressort de rappel |
| 16 | 860-936 | 860-936 | 860-936 | Shoulder screw | Ansatzschraube | Vis à épaulement |

(GB) Hydraulic Connection Diagram

(D) Hydraulikschema

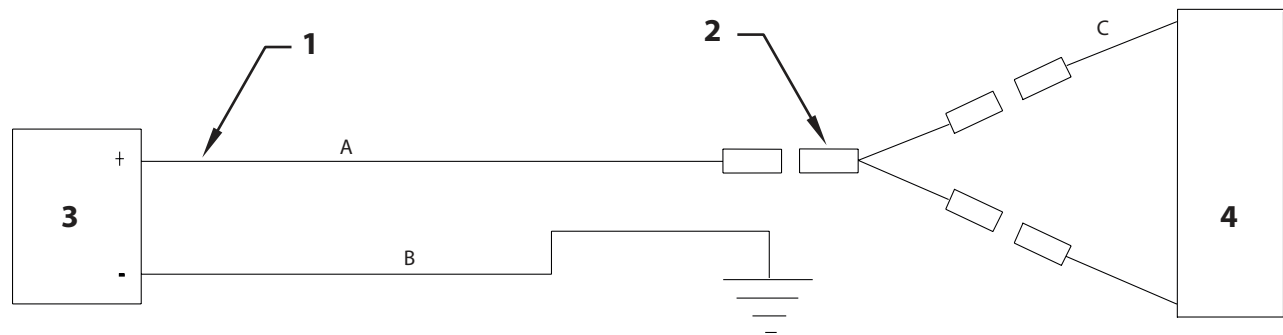
(F) Schéma de connexion hydraulique



(GB) Connection Diagram (PL4955)

(D) Schaltplan (PL4955)

(F) Schéma électrique (PL4955)

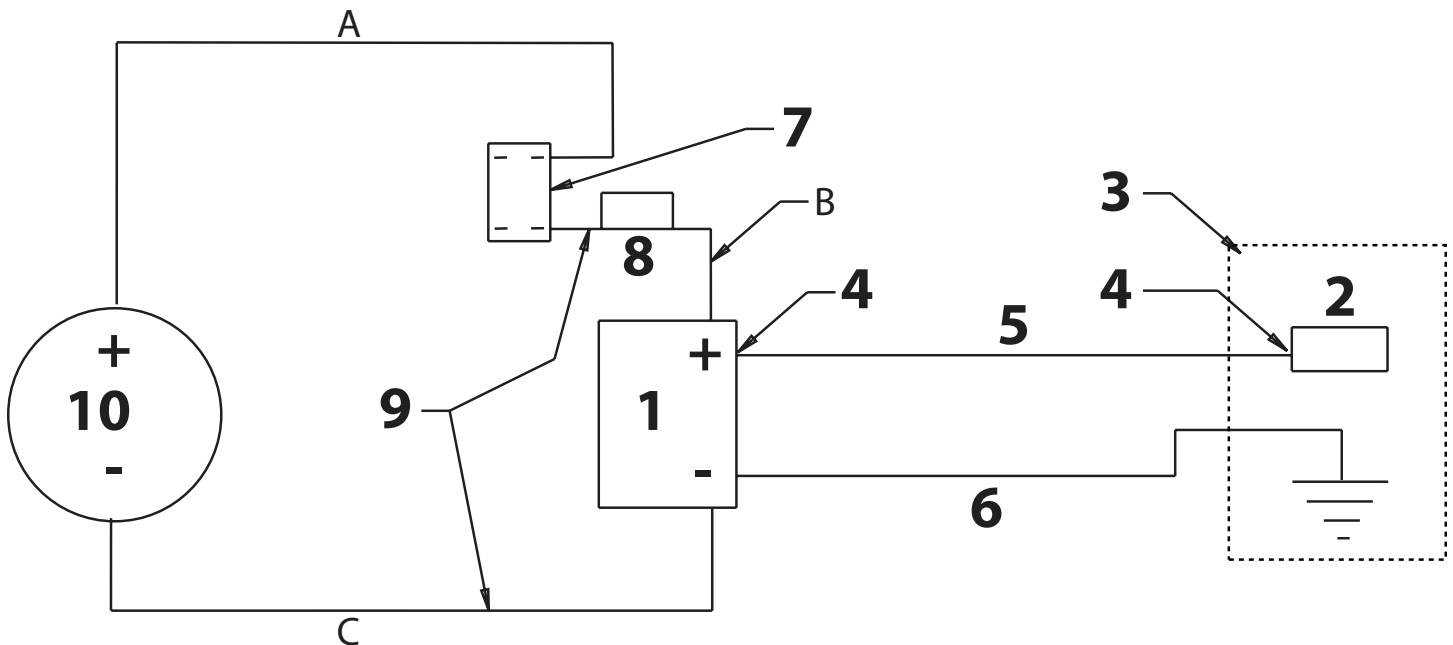


| Pos. | PL4955 | (GB) Description | (D) Benennung | (F) Description |
|--|---------|---------------------------|---------------------------|------------------------------|
| 1 | 0528716 | Wire assembly | Leitungsstrang | Groupe de fils |
| 2 | 0509273 | Wire assembly | Leitungsstrang | Groupe de fils |
| 3 | 0509265 | Kill switch | Abwürgeschalter | Disjoncteur |
| 4 | 0509608 | Engine, gas, Honda GX 120 | Benzinmotor, Honda GX 120 | Moteur, essence Honda GX 120 |
| Wire assembly • Leitungsstrang • Groupe de fils | | | | |
| A | ----- | Black | Schwarz | Noir |
| B | ----- | Green | Grün | Vert |
| C | ----- | Yellow | gelb | Jaune |

(GB) Connection Diagram (PL6955/PL8955)

(D) Schaltplan (PL6955/PL8955)

(F) Schéma électrique (PL6955/PL8955)



Always disconnect the battery prior to any repair work.

Trennen Sie die Batterie vor allen Reparaturarbeiten ab.

Toujours débrancher la pompe avant d'effectuer les réparations.

| Pos. | PL6955 | PL8955 | (GB) Description | (D) Benennung | (F) Description |
|--|----------|----------|--|---|---|
| 1 | 434-641 | 434-641 | Battery, 12V | Batterie, 12 Volt | Pile, 12 Volts |
| 2 | ----- | ----- | Starter solenoid | Magnetschalter | Solénoïde du démarreur |
| 3 | 0528710A | 0528710A | Engine, gas, Honda GX 160 (electric start) | Benzinmotor, Honda GX 160 (Elektroanlasser) | Moteur, essence Honda GX 160 (démarrage électrique) |
| 4 | 0290551 | 0290551 | Terminal cover (2) | Abdeckung (2) | Couvercle (2) |
| 5 | 0290364 | 0290364 | Battery cable, red | Batteriekabel, rot | Câble de la pile, rouge |
| 6 | 0290363 | 0290363 | Battery cable, black | Batteriekabel, schwarz | Câble de la pile, noir |
| 7 | 9850936 | 9850936 | ON/OFF switch | EIN-/AUS-Schalter | Interrupteur |
| 8 | 0290130 | 0290130 | Fuse, 10A | Sicherung, 10A | Fuse, 10A |
| 9 | 0528711 | 0528711 | Wire assembly | Leitungsstrang | Groupe de fils |
| 10 | 0290347 | 0290347 | 12 volt socket | 12-Volt-Steckdose | Support de 12 Volts |
| Wire assembly • Leitungsstrang • Groupe de fils | | | | | |
| A | 0528712 | 0528712 | Red | Rot | Rouge |
| B | ----- | ----- | Wire with fuse | Kabel mit Sicherung | Fil avec fusible |
| C | ----- | ----- | Black | Schwarz | Noir |

| # | (GB) Description | (D) Benennung | (F) Description |
|-----------|--|---|--|
| 103-627 | Rock Catcher | Steinabschneider | Grille à roches |
| 930-004 | Paint Filter Element, 0 Mesh (for mastics) | Farbfilterelement, Maschenweite 0 für Mastik | Élément filtrant, 0 mesh (pour les mastics) |
| 930-005 | Paint Filter Element, 5 Mesh (for multicolors and heavy materials) | Farbfilterelement, Maschenweite 5 (für Mehrfarben und schwere Materialien) | Élément filtrant, 5 mesh (pour les peintures multicolores et lourdes) |
| 930-006 | Paint Filter Element, 50 Mesh (for latex and normal architectural materials) | Farbfilterelement, Maschenweite 50 (für Latexfarbe und herkömmliche Architekturmaterialien) | Élément filtrant, 50 mesh (pour les peintures au latex et les peintures bâtiment normales) |
| 930-007 | Paint Filter Elements, 100 Mesh (for stains, lacquers and fine materials) | Farbfilterelement, Maschenweite 100 (für Beize, Lacke und feine Materialien) | Élément filtrant, 100 mesh (pour les teintures, les vernis-laque et les produits légers) |
| 550-110 | S-5 and 1/4" Hose Kit | S-5 sowie 1/4" Schlauch-Kit | S-5 et trousse de tuyau de 0,6 cm |
| 314-480 | Piston Lube™ | Piston Lube™ | Piston Lube™ |
| 430-362 | Coolflo™ Hydraulic Fluid, 1 Quart | Coolflo™ Hydraulikflüssigkeit, 1 Quart | Fluide hydraulique Coolflo™, 0,9 litre |
| 430-361 | Coolflo™ Hydraulic Fluid, 1 Gallon | Coolflo™ Hydraulikflüssigkeit, 1 Gallone | Fluide hydraulique Coolflo™, 3,8 litres |
| 611-275-1 | 6" Gun Extension | 15 cm Erweiterung der Pistole | Rallonge de pistolet de 15 cm |
| 611-276-1 | 12" Gun Extension | 30 cm Erweiterung der Pistole | Rallonge de pistolet de 30 cm |
| 611-277-1 | 18" Gun Extension | 45 cm Erweiterung der Pistole | Rallonge de pistolet de 45 cm |
| 611-278-1 | 24" Gun Extension | 61 cm Erweiterung der Pistole | Rallonge de pistolet de 61 cm |
| 759-120 | Floating Gun Kit | Kit zur schwimmenden Halterung der Spritzpistole | Trousse pour pistolet flottant |
| 759-130 | Paint Hopper | Farbtrichter | Trémie à peinture |
| 0290384 | Second Gun Kit (with S-3 gun) | Zweite-Pistole-Kit (mit Pistole S-3) | Trousse pour deuxième pistolet (avec pistolet S-3) |
| 0290385 | Second Gun Kit (without gun) | Zweite-Pistole-Kit (ohne Pistole) | Trousse pour deuxième pistolet (sans pistolet) |
| 0290038A | LineSite | LineSite | LineSite |
| 759-150 | Side Stripper | Side Stripper | Appareil latéral à peindre les lignes |
| 424-826 | Bead Dispenser, 1st Gun Kit, 4–6" line width | Perlstreuer, Erste-Pistole-Kit, 10–15 cm Liniestärke | Distributeur de perles, trousse pour premier pistolet, largeur de ligne de 10 à 15 cm |
| 424-816 | Bead Dispenser, 2nd Gun Kit, 4–6" line width | Perlstreuer, Zweite-Pistole-Kit, 10–15 cm Liniestärke | Distributeur de perles, trousse pour deuxième pistolet, largeur de ligne de 10 à 15 cm |
| 424-836 | Bead Dispenser, 2nd Gun Kit w/ Hopper, 4–6" line width | Perlstreuer, Zweite-Pistole-Kit und Farbtrichter, 10–15 cm Liniestärke | Distributeur de perles, trousse pour deuxième pistolet avec trémie, largeur de ligne de 10 à 15 cm |
| 424-840 | Bead Dispenser, 1st Gun Kit w/ Hopper, 12" line width | Perlstreuer, Erste-Pistole-Kit und Farbtrichter, 30 cm Liniestärke | Distributeur de perles, trousse pour premier pistolet avec trémie, largeur de ligne de 30 cm |
| 424-841 | Bead Dispenser, 2nd Gun Kit w/ Hopper, 12" line width | Perlstreuer, Zweite-Pistole-Kit und Farbtrichter, 30 cm Liniestärke | Distributeur de perles, trousse pour deuxième pistolet avec trémie, largeur de ligne de 30 cm |
| 0290047 | Ball hitch kit (PL4955) | Kugelpkupplung Kit (PL4955) | Trousse de la rotule d'attelage (PL4955) |
| 0290048 | Ball hitch kit (PL6955/PL8955) | Kugelpkupplung Kit (PL6955/PL8955) | Trousse de la rotule d'attelage (PL6955/PL8955) |
| 0290040 | LazyLiner Elite | LazyLiner Elite | LazyLiner Elite |
| 0290041 | LazyLiner Pro | LazyLiner Pro | LazyLiner Pro |
| 0290042 | LazyLiner Compact | LazyLiner Compact | LazyLiner Compact |
| 0290953 | HandiBead | HandiBead | HandiBead |
| 0290623 | Spray Shield | Spray Shield | Spray Shield |
| 759-147 | Pail cover | Abdeckung Eimer | Couvercle de seau |
| 0290076 | Belt guard label, PL4955 | Kennzeichnung Riemenschutz, PL4955 | Étiquette de la protection de courroie, PL4955 |
| 0290077 | Belt guard label, PL6955 | Kennzeichnung Riemenschutz, PL6955 | Étiquette de la protection de courroie, PL6955 |
| 0290078 | Belt guard label, PL8955 | Kennzeichnung Riemenschutz, PL8955 | Étiquette de la protection de courroie, PL8955 |

GB TR-1 Striping Tip Chart**D TR-1 Streifendüsentabelle**

| # | Width Linienbreite | Orifice Öffnungs- größe | Common Uses | Gebräuchliche Anwendungen |
|---------|-----------------------|-------------------------------|---|--|
| 697-213 | 2" (51 mm) | .013" (.33 mm) | Stencils & Athletic Courts - Light film (use 100 mesh filter) | Schablonen & Sportplätze - Leichter Belag (Verwenden Sie Filterfeinheit 100) |
| 697-413 | 4" (102 mm) | .013" (.33 mm) | Stencils & Athletic Courts - Light film (use 100 mesh filter) | Schablonen & Sportplätze - Leichter Belag Verwenden Sie Filterfeinheit 100) |
| 697-215 | 2" (51 mm) | .015" (.38 mm) | Stencils & Athletic Courts — Alkyd only, light film | Schablonen & Sportplätze - Nur Alkyd, Leichter Belag |
| 697-415 | 4" (102 mm) | .015" (.38 mm) | Stencils & Athletic Courts — Light film | Schablonen & Sportplätze - Leichter Belag |
| 697-615 | 6" (152 mm) | .015" (.38 mm) | Stencils & Athletic Courts — Light film | Schablonen & Sportplätze - Leichter Belag |
| 697-217 | 2" (51 mm) | .017" (.43 mm) | Stencils & Athletic Courts — Alkyd only, heavy film | Schablonen & Sportplätze - Nur Alkyd, Schwerer Belag |
| 697-417 | 4" (102 mm) | .017" (.43 mm) | Most traffic paints — Medium film | Meiste Verkehrsfarben - Mittelstarker Belag |
| 697-617 | 6" (152 mm) | .017" (.43 mm) | Most traffic paints — Light film | Meiste Verkehrsfarben - Leichter Belag |
| 697-219 | 2" (51 mm) | .019" (.48 mm) | Most traffic paints — Medium film | Meiste Verkehrsfarben - Mittelstarker Belag |
| 697-419 | 4" (102 mm) | .019" (.48 mm) | Most traffic paints — Heavy film | Meiste Verkehrsfarben - Schwerer Belag |
| 697-619 | 6" (152 mm) | .019" (.48 mm) | Most traffic paints — Medium film | Meiste Verkehrsfarben - Mittelstarker Belag |
| 697-421 | 4" (102 mm) | .021" (.53 mm) | Most traffic paints — Heavy film | Meiste Verkehrsfarben - Schwerer Belag |
| 697-621 | 6" (152 mm) | .021" (.53 mm) | Most traffic paints — Light film | Meiste Verkehrsfarben - Leichter Belag |
| 697-821 | 8" (203 mm) | .021" (.53 mm) | Most traffic paints — Light film | Meiste Verkehrsfarben - Leichter Belag |
| 697-423 | 4" (102 mm) | .023" (.58 mm) | Most traffic paints — Heavy film | Meiste Verkehrsfarben - Schwerer Belag |
| 697-623 | 6" (152 mm) | .023" (.58 mm) | Most traffic paints — Medium film | Meiste Verkehrsfarben - Mittelstarker Belag |
| 697-823 | 8" (203 mm) | .023" (.58 mm) | Most traffic paints — Medium film | Meiste Verkehrsfarben - Mittelstarker Belag |
| 697-425 | 4" (102 mm) | .025" (.64 mm) | Most traffic paints — Very heavy film | Meiste Verkehrsfarben - Sehr Schwerer Belag |
| 697-625 | 6" (152 mm) | .025" (.64 mm) | Most traffic paints — Heavy film | Meiste Verkehrsfarben - Schwerer Belag |
| 697-823 | 8" (203 mm) | .025" (.64 mm) | Most traffic paints — Heavy film | Meiste Verkehrsfarben - Schwerer Belag |
| 697-427 | 4" (102 mm) | .027" (.69 mm) | Most traffic paints — High speed, light film | Meiste Verkehrsfarben - Hochgeschwindigkeit, Leichter Belag |
| 697-627 | 6" (152 mm) | .027" (.69 mm) | Most traffic paints — Heavy film | Meiste Verkehrsfarben - Schwerer Belag |
| 697-827 | 8" (203 mm) | | Most traffic paints — Heavy film | Meiste Verkehrsfarben - Schwerer Belag |
| 697-429 | 4" (102 mm) | .029" (.74 mm) | Most traffic paints — High speed, medium film | Meiste Verkehrsfarben - Hochgeschwindigkeit, Mittelstarker Belag |
| 697-629 | 6" (152 mm) | .029" (.74 mm) | Most traffic paints — High speed, light film | Meiste Verkehrsfarben - Hochgeschwindigkeit, Leichter Belag |
| 697-829 | 8" (203 mm) | | Most traffic paints — High speed, light film | Meiste Verkehrsfarben - Hochgeschwindigkeit, Leichter Belag |
| 697-431 | 4" (102 mm) | .031" (.79 mm) | Most traffic paints — High speed, heavy film | Meiste Verkehrsfarben - Hochgeschwindigkeit, Schwerer Belag |
| 697-631 | 6" (152 mm) | .031" (.79 mm) | Most traffic paints — High speed, medium film | Meiste Verkehrsfarben- Hochgeschwindigkeit, Mittelstarker Belag |
| 697-831 | 8" (203 mm) | .031" (.79 mm) | Most traffic paints — High speed, medium film | Meiste Verkehrsfarben- Hochgeschwindigkeit, Mittelstarker Belag |
| 697-435 | 4" (102 mm) | .035" (.89 mm) | Most traffic paints — High speed, heavy film | Meiste Verkehrsfarben - Hochgeschwindigkeit, Schwerer Belag |
| 697-635 | 6" (152 mm) | .035" (.89 mm) | Most traffic paints — High speed, heavy film | Meiste Verkehrsfarben - Hochgeschwindigkeit, Schwerer Belag |
| 697-835 | 8" (203 mm) | .035" (.89 mm) | Most traffic paints — High speed, heavy film | Meiste Verkehrsfarben - Hochgeschwindigkeit, Schwerer Belag |
| 697-439 | 4" (102 mm) | .039" (.99 mm) | All traffic paints — High speed, heavy film | Alle Verkehrsfarben - Hochgeschwindigkeit, Schwerer Belag |
| 697-639 | 6" (152 mm) | .039" (.99 mm) | All traffic paints — High speed, heavy film | Alle Verkehrsfarben - Hochgeschwindigkeit, Schwerer Belag |
| 697-839 | 8" (203 mm) | .039" (.99 mm) | All traffic paints — High speed, heavy film | Alle Verkehrsfarben - Hochgeschwindigkeit, Schwerer Belag |
| 697-443 | 4" (102 mm) | .043" (1,09 mm) | All traffic paints — High speed, heavy film | Alle Verkehrsfarben - Hochgeschwindigkeit, Schwerer Belag |
| 697-643 | 6" (152 mm) | .043" (1,09 mm) | All traffic paints — High speed, heavy film | Alle Verkehrsfarben - Hochgeschwindigkeit, Schwerer Belag |
| 697-843 | 8" (203 mm) | .043" (1,09 mm) | All traffic paints — High speed, heavy film | Alle Verkehrsfarben - Hochgeschwindigkeit, Schwerer Belag |

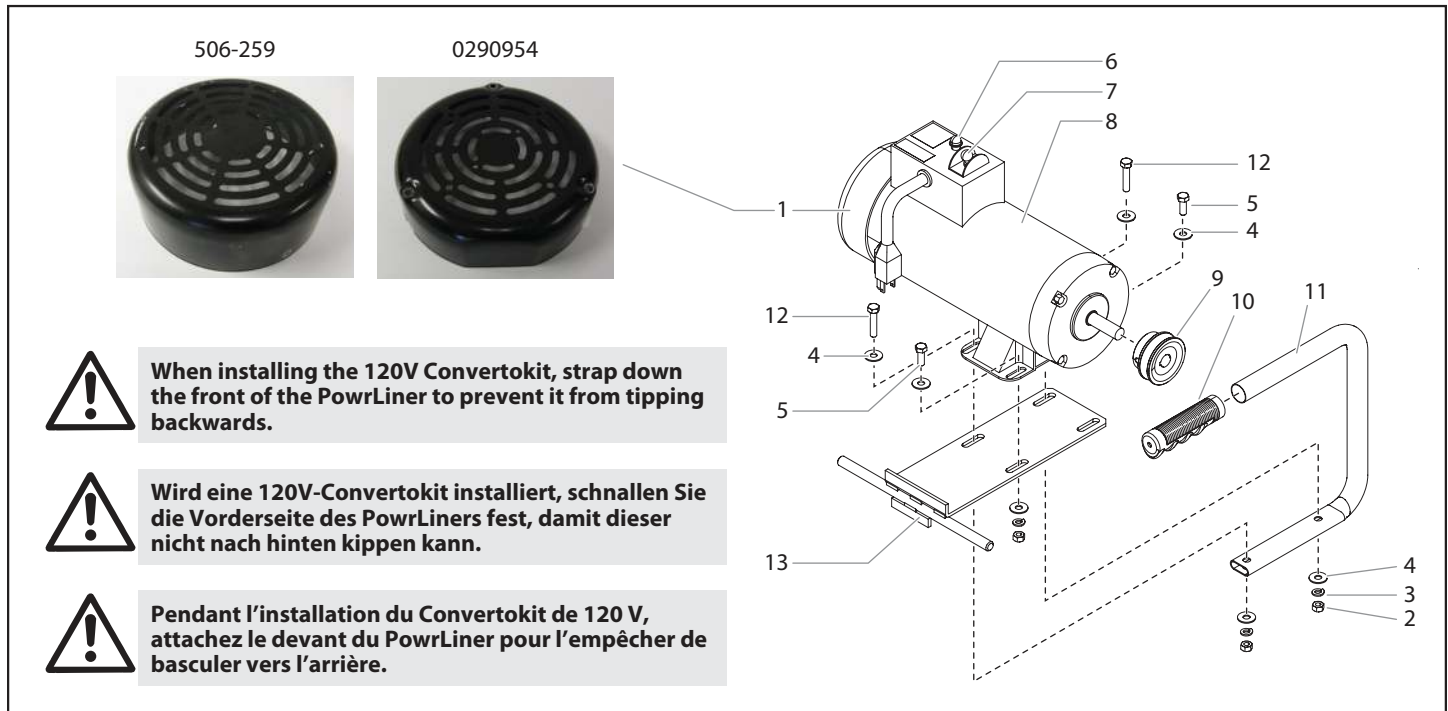
F **Tableau de buse de rayage TR-1**

| # | Largeur de ligne | Orifice | Utilisations habituelles |
|---------|------------------|-----------------|---|
| 697-213 | 2" (51 mm) | ,013" (.33 mm) | Modèles et terrains de sports - Film léger (utiliser un filtre à tamis 100) |
| 697-413 | 4" (102 mm) | ,013" (.33 mm) | Modèles et terrains de sports - Film léger (utiliser un filtre à tamis 100) |
| 697-215 | 2" (51 mm) | ,015" (.38 mm) | Modèles et terrains de sports - Alkyd uniquement, Film léger |
| 697-415 | 4" (102 mm) | ,015" (.38 mm) | Modèles et terrains de sports - Film léger |
| 697-615 | 6" (152 mm) | ,015" (.38 mm) | Modèles et terrains de sports - Film léger |
| 697-217 | 2" (51 mm) | ,017" (.43 mm) | Modèles et terrains de sports- Alkyd uniquement, Film épais |
| 697-417 | 4" (102 mm) | ,017" (.43 mm) | La plupart des signalisations sur route - Film moyen |
| 697-617 | 6" (152 mm) | ,017" (.43 mm) | La plupart des signalisations sur route - Film léger |
| 697-219 | 2" (51 mm) | ,019" (.48 mm) | La plupart des signalisations sur route - Film moyen |
| 697-419 | 4" (102 mm) | ,019" (.48 mm) | La plupart des signalisations sur route - Film épais |
| 697-619 | 6" (152 mm) | ,019" (.48 mm) | La plupart des signalisations sur route - Film moyen |
| 697-421 | 4" (102 mm) | ,021" (.53 mm) | La plupart des signalisations sur route - Film épais |
| 697-621 | 6" (152 mm) | ,021" (.53 mm) | La plupart des signalisations sur route - Film léger |
| 697-821 | 8" (203 mm) | ,021" (.53 mm) | La plupart des signalisations sur route - Film léger |
| 697-423 | 4" (102 mm) | ,023" (.58 mm) | La plupart des signalisations sur route - Film épais |
| 697-623 | 6" (152 mm) | ,023" (.58 mm) | La plupart des signalisations sur route - Film moyen |
| 697-823 | 8" (203 mm) | ,023" (.58 mm) | La plupart des signalisations sur route - Film moyen |
| 697-425 | 4" (102 mm) | ,025" (.64 mm) | La plupart des signalisations sur route - Film très épais |
| 697-625 | 6" (152 mm) | ,025" (.64 mm) | La plupart des signalisations sur route - Film épais |
| 697-823 | 8" (203 mm) | ,025" (.64 mm) | La plupart des signalisations sur route - Film épais |
| 697-427 | 4" (102 mm) | ,027" (.69 mm) | La plupart des signalisations sur route - Haute vitesse, Film léger |
| 697-627 | 6" (152 mm) | ,027" (.69 mm) | La plupart des signalisations sur route - Film épais |
| 697-827 | 8" (203 mm) | ,027" (.69 mm) | La plupart des signalisations sur route - Film épais |
| 697-429 | 4" (102 mm) | ,029" (.74 mm) | La plupart des signalisations sur route - Haute vitesse, Film moyen |
| 697-629 | 6" (152 mm) | ,029" (.74 mm) | La plupart des signalisations sur route - Haute vitesse, Film léger |
| 697-829 | 8" (203 mm) | ,029" (.74 mm) | La plupart des signalisations sur route - Haute vitesse, Film léger |
| 697-431 | 4" (102 mm) | ,031" (.79 mm) | La plupart des signalisations sur route - Haute vitesse, Film épais |
| 697-631 | 6" (152 mm) | ,031" (.79 mm) | La plupart des signalisations sur route - Haute vitesse, Film moyen |
| 697-831 | 8" (203 mm) | ,031" (.79 mm) | La plupart des signalisations sur route - Haute vitesse, Film moyen |
| 697-435 | 4" (102 mm) | ,035" (.89 mm) | La plupart des signalisations sur route - Haute vitesse, Film épais |
| 697-635 | 6" (152 mm) | ,035" (.89 mm) | La plupart des signalisations sur route - Haute vitesse, Film épais |
| 697-835 | 8" (203 mm) | ,035" (.89 mm) | La plupart des signalisations sur route - Haute vitesse, Film épais |
| 697-439 | 4" (102 mm) | ,039" (.99 mm) | Toutes les peintures pour la signalisation routière - Haute vitesse, Film épais |
| 697-639 | 6" (152 mm) | ,039" (.99 mm) | Toutes les peintures pour la signalisation routière - Haute vitesse, Film épais |
| 697-839 | 8" (203 mm) | ,039" (.99 mm) | Toutes les peintures pour la signalisation routière - Haute vitesse, Film épais |
| 697-443 | 4" (102 mm) | ,043" (1,09 mm) | Toutes les peintures pour la signalisation routière - Haute vitesse, Film épais |
| 697-643 | 6" (152 mm) | ,043" (1,09 mm) | Toutes les peintures pour la signalisation routière - Haute vitesse, Film épais |
| 697-843 | 8" (203 mm) | ,043" (1,09 mm) | Toutes les peintures pour la signalisation routière - Haute vitesse, Film épais |

(GB) DC - Electric Convertokit (120V)

(D) Convertokit, Elektromotor (120V)

(F) Convertokit, moteur électrique (120V)



| Pos. | PL4955 (120V) | (GB) Description | (D) Benennung | (F) Description |
|--|---------------|--|------------------------------------|--|
| 1 | 506-259 | Cover (screws from the outside) | Abdeckung | Couvercle |
| | 0290954 | Cover (screws from the rear) | Abdeckung | Couvercle |
| 2 | 0509885 | Stop nut (4) | Stellmutter (4) | Écrou d'arrêt (4) |
| 3 | 860-002 | Lock washer (4) | Federscheibe (4) | Rondelle d'arrêt (4) |
| 4 | 860-004 | Flat washer (8) | Schiebe (8) | Rondelle (8) |
| 5 | 860-535 | Screw (2) | Schraube (2) | Vis (2) |
| 6 | 978-040 | Circuit breaker reset | Schutzschalter-Reset | Bouton de réenclenchement du disjoncteur |
| 7 | 506-260 | ON/OFF switch | EIN/AUS-Schalter | Interrupteur MARCHÉ/ARRET |
| 8 | 978-350A | Motor, DC-Electric, 2 Hp, 50/60 Hz, 115V | Elektromotor, 2 PS, 50/60 Hz, 115V | Motor électrique, 2 Hp, 50/60 Hz, 115V |
| 9 | 0290388 | Pulley | Seilrolle | Poulie |
| 10 | 590-068 | Handle grip | Führungsgriff | Poignée-pistolet |
| 11 | 335-017 | Handle | Griff | Poignée |
| 12 | 860-552 | Screw (2) | Schraube (2) | Vis (2) |
| 13 | 0290558 | Mounting plate | Montageplatte | Plaque de fixation |
| Not shown • Nicht gezeigt • Non représentée | | | | |
| | 506-255 | Rectifier | Gleichrichter | Rectificateur |
| | 506-258 | Fan | Lüfter | Ventilateur |
| | 0290956 | Brush cover, plastic | Bürstenabdeckung, Kunststoff | Couvercle de la brosse, en plastique |



J. Wagner GmbH Otto-Lilienthal-Str.18 88677 Markdorf Germany



Konformitätserklärung
Hiermit erklären wir, daß die Bauart vom
Airless Hochdruck-Spritzgerät,
benzinbetrieben



Declaration of conformity
Herewith we declare that the supplied
version of Airless high-pressure spraying
unit, gas powered



Déclaration de conformité
Par la présente, nous déclarons, que le
type de Groupe de projection à haute
pression, à essence



Dichiarazione di conformità
Si dichiara che il modello Impianto per la
verniciatura a spruzzo ad alta pressione
Airless, azionato a benzina

Titan

PowrLiner 4955, PowrLiner 6955, PowrLiner 8955, PowrLiner1800, PowrLiner2850, GPX85, GPX130, GPX165, GPX220

folgenden einschlägigen Bestimmungen
entspricht:

2006/42/EG

complies with the following provisions
applying to it:

2006/42/EC

correspond aux dispositions pertinentes
suivantes:

2006/42/CE

é conforme alle seguenti disposizioni
pertinenti:

2006/42/CE

Angewendete harmonisierte Normen,
insbesondere:

Applied harmonized standards, in
particular:

Normes harmonisée utilisées,notamment:

Norme armonizzate applicate, in
particolare:

Markdorf, 22.09.2015
Location, Date

Senior Vice President
Global Product Strategy & Planning
Mr. Th. Jeltsch

Vice President Engineering
Mr. J. Ulbrich
Dokumentationsverantwortlicher
Responsible person for documents
Personne responsable de la documentation
Responsabile della documentazione

EN ISO 12100:2012; EN 1953:2013

WAGNER

J. Wagner GmbH Otto-Lilienthal-Str.18 88677 Markdorf Germany

**CE** Konformiteitsverklaring

hiermede verklaren wij, dat de in de handel gebrachte machine Airless – hogedruk-spuitapparaat, gas aangedreven

**CE** Konformitetserklæring

Hermed erklæres, at produkttypen Airless – højtrykssprøjteapparat, benzindrevet

**CE** Försäkran

Härmed intygar vi att Airless – högtrycksspruta, bensindrif

**CE** Declaración de conformidad

por la presente, declaramos que la Airless equipo de pulverización de alta presión, impulsado por gasolina

**CE** Declaração de conformidade

Com a presente, declaramos que o Aparelho de pulverização de alta pressão Airless, impulsionado a gasolina

Titan**PowrLiner 4955, PowrLiner 6955, PowrLiner 8955, PowrLiner1800, PowrLiner2850, GPX85, GPX130, GPX165, GPX220**

voldoet aan de eisen van de in het vervolg genoemde bepalingen:

er i overensstemmelse med følgende bestemmelser:

är konstruerad enligt följande gällande bestämmelser:

satisface las disposiciones pertinentes siguientes:

está em conformidade com as disposições pertinentes, a saber:

2006/42/EG**2006/42/EF****2006/42/EC****2006/42/CE****2006/42/CE**

Gebruikte geharmoniseerde normen, in het bijzondere:

Harmoniserede standarder, der blev anvendt, i særdeleshed:

Tillämpade harmoniserade standarder, i synnerhet:

Normas armonizadas utilizadas, particularmente:

Normas harmonizadas utilizadas, em particular:

EN ISO 12100:2012; EN 1953:2013Markdorf, 22.09.2015
Location, DateSenior Vice President
Global Product Strategy & Planning
Mr. Th. JeltschVice President Engineering
Mr. J. Ulbrich
Persoon die verantwoordelijk is voor documentatie
Der er ansvarlig for dokumentationen
Person som ansvarar för dokumentation
Responsable de documentación
Responsável pela documentação



Warranty

Titan Tool, Inc., ("Titan") warrants that at the time of delivery to the original purchaser for use ("End User"), the equipment covered by this warranty is free from defects in material and workmanship. With the exception of any special, limited, or extended warranty published by Titan, Titan's obligation under this warranty is limited to replacing or repairing without charge those parts which, to Titan's reasonable satisfaction, are shown to be defective within twelve (12) months after sale to the End User. This warranty applies only when the unit is installed and operated in accordance with the recommendations and instructions of Titan.

This warranty does not apply in the case of damage or wear caused by abrasion, corrosion or misuse, negligence, accident, faulty installation, substitution of non-Titan component parts, or tampering with the unit in a manner to impair normal operation.

Defective parts are to be returned to an authorized Titan sales/service outlet. All transportation charges, including return to the factory, if necessary, are to be borne and prepaid by the End User. Repaired or replaced equipment will be returned to the End User transportation prepaid.

THERE IS NO OTHER EXPRESS WARRANTY. TITAN HEREBY DISCLAIMS ANY AND ALL IMPLIED WARRANTIES INCLUDING, BUT NOT LIMITED TO, THOSE OF MERCHANTABILITY AND FITNESS FOR A PARTICULAR PURPOSE, TO THE EXTENT PERMITTED BY LAW. THE DURATION OF ANY IMPLIED WARRANTIES WHICH CANNOT BE DISCLAIMED IS LIMITED TO THE TIME PERIOD SPECIFIED IN THE EXPRESS WARRANTY. IN NO CASE SHALL TITAN LIABILITY EXCEED THE AMOUNT OF THE PURCHASE PRICE. LIABILITY FOR CONSEQUENTIAL, INCIDENTAL OR SPECIAL DAMAGES UNDER ANY AND ALL WARRANTIES IS EXCLUDED TO THE EXTENT PERMITTED BY LAW.

TITAN MAKES NO WARRANTY AND DISCLAIMS ALL IMPLIED WARRANTIES OF MERCHANTABILITY AND FITNESS FOR A PARTICULAR PURPOSE WITH RESPECT TO ACCESSORIES, EQUIPMENT, MATERIALS OR COMPONENTS SOLD BUT NOT MANUFACTURED BY TITAN. THOSE ITEMS SOLD, BUT NOT MANUFACTURED BY TITAN (SUCH AS GAS ENGINES, SWITCHES, HOSES, ETC.) ARE SUBJECT TO THE WARRANTY, IF ANY, OF THEIR MANUFACTURER. TITAN WILL PROVIDE THE PURCHASER WITH REASONABLE ASSISTANCE IN MAKING ANY CLAIM FOR BREACH OF THESE WARRANTIES.

Garantie

Titan Tool, Inc., ("Titan") garantiert, dass zum Zeitpunkt der Lieferung an den Käufer („Endverbraucher“) die Ausrüstung, die von dieser Garantie abgedeckt ist, frei von Material- und Fabrikationsfehler ist. Mit Ausnahme spezieller, eingeschränkter oder erweiterter Garantie, die Titan bekannt gegeben hat, ist die Gewährleistungsverpflichtung von Titan beschränkt auf den kostenlosen Austausch oder Nachbesserung für jene Teile, die, nachdem dies Titan nachvollziehbar nachgewiesen wurden, binnen zwölf (12) Monaten nach Verkauf an den Endverbraucher sich als fehlerhaft erweisen. Die Garantie greift nur, wenn das Gerät gemäß den Empfehlungen und Anweisungen von Titan installiert und bedient wurde.

Diese Garantie gilt nicht bei Beschädigung oder Abnutzung durch Abrieb, Korrosion oder unsachgemäße Benutzung, Unachtsamkeit, Unfall, unsachgemäße Installation, Verwendung von Ersatzteilen, die nicht von Titan stammen bzw. wenn Änderungen an dem Gerät vorgenommen wurden wodurch eine normale Benutzung beeinträchtigt wird

Defekte Teile müssen an den autorisierten Titan-Händler/ die autorisierte Titan-Niederlassung zurückgeschickt werden. Alle Transportkosten, einschließlich der Rücksendung an die Fabrik, falls erforderlich, sind vom Endverbraucher zu tragen und müssen im Voraus bezahlt werden. Repariertes oder ausgetauschtes Zubehör wird auf Kosten des Endverbrauchers nach Vorauszahlung der Transportkosten zurückgeschickt

ES GIBT SONST KEINE ANDERE MÄNGELGARANTIE. TITAN SCHLIESST HIERMIT ALLE UND JEDE STILLSCHWEIGENDE GARANTIE AUS, EINSCHLIESSLICH, JEDOCH NICHT BESCHRÄNKT AUF MARKTFÄHIGKEIT UND EIGNUNG FÜR EINEN BESTIMMTEN ZWECK, SOWEIT GESETZLICH ZULÄSSIG. DIE DAUER ALLER STILLSCHWEIGENDEN GARANTIEN, DIE NICHT AUSGESCHLOSSEN WERDEN KÖNNEN, SIND BESCHRÄNKT AUF DIE IN DER AUSDRÜCKLICHEN GARANTIE FESTGELEGTE DAUER. TITAN HAFTET IN KEINER WEISE ÜBER DEN KAUFPREIS HINAUS. DIE HAFTUNG FÜR FOLGESCHÄDEN, ZUFÄLLIGE SCHÄDEN ODER SPEZIELLE SCHÄDEN UNTER JEDER UND ALLEN GARANTIEN IST AUSGESCHLOSSEN SOWEIT GESETZLICH ZUGELASSEN.

TITAN ÜBERNIMMT KEINE GARANTIE UND SCHLIESST ALLE STILLSCHWEIGENDEN GARANTIEN AUF MARKTFÄHIGKEIT UND EIGNUNG FÜR EINEN BESTIMMTEN ZWECK BEZÜGLICH ZUBEHÖR, AUSRÜSTUNG, MATERIALIEN UND KOMPONENTEN AUS, DIE VON TITAN VERKAUFT, JEDOCH NICHT HERGESTELLT WURDEN. JENE VON TITAN VERKAUFTEN, JEDOCH NICHT VON TITAN HERGESTELLTEN KOMPONENTEN (WIE Z.B. GASMOTOREN, SCHALTER, SCHLÄUCHE, ETC.) UNTERLIEGEN DER GEWÄHRLEISTUNG DES JEWEILIGEN HERSTELLERS, SOFERN DIESE GEWÄHRT WERDEN. TITAN UNTERSTÜTZT DEN KÄUFER IN ANGEMESSENER WEISE, WENN ES UM ANSPRÜCHE WEGEN DER VERLETZUNG VON GEWÄHRLEITUNGEN GEHT.

Garantie

Titan Tool, Inc. ("Titan") garantit qu'au moment de la livraison à l'acheteur initial ("Utilisateur"), l'appareil couvert par la présente garantie sera exempt de défauts de matériaux et de fabrication. Exception faite de toute garantie particulière ou limitée et de toute extension de garantie publiées par Titan, la responsabilité de celui-ci se limite, en vertu de la présente garantie, au remplacement ou à la réparation sans frais des pièces dont le caractère défectueux aura été démontré de manière satisfaisante pour Titan, dans un délai de douze (12) mois après la date d'achat par l'Utilisateur. Cette garantie ne sera applicable que si l'appareil a été installé et utilisé conformément aux recommandations et directives de Titan.

Cette garantie ne sera pas applicable dans les cas d'endommagement ou d'usure dus à l'abrasion, la corrosion, un mauvais usage, la négligence, un accident, une installation incorrecte, un remplacement par des composants non fournis par Titan ou toute autre intervention non autorisée de nature à nuire au fonctionnement normal de l'appareil.

Les pièces défectueuses devront être envoyées à un centre de service / vente Titan autorisé. Les frais de transport couvrant y compris le retour à l'usine, seront, le cas échéant, prépayés par l'Utilisateur. Après réparation ou remplacement, les pièces seront renvoyées à ce dernier par transport prépayé.

AUCUNE AUTRE GARANTIE EXPRESSE N'EST ACCORDÉE. TITAN REJETTE TOUTE AUTRE GARANTIE IMPLICITE Y COMPRIS, NOTAMMENT, LES GARANTIES DE QUALITÉ MARCHANDE ET DE COMPATIBILITÉ AVEC UN USAGE PARTICULIER, DANS LES LIMITES PERMISES PAR LA LOI.

LA DURÉE DES GARANTIES IMPLICITES NE POUVANT FAIRE L'OBJET D'UNE RENONCIATION SE LIMITE À LA PÉRIODE INDIQUÉE DANS LA GARANTIE EXPRESSE.

LA RESPONSABILITÉ DE TITAN NE SAURAIT EN AUCUN CAS ÊTRE ENGAGÉE POUR UN MONTANT SUPÉRIEUR À CELUI DU PRIX D'ACHAT. TITAN EXCLUT TOUTE RESPONSABILITÉ RELATIVE AUX DOMMAGES INDIRECTS, ACCESSOIRES OU PARTICULIERS, DANS LES LIMITES PRÉVUES PAR LA LOI.

TITAN NE DONNE AUCUNE GARANTIE ET DÉCLINE TOUTE GARANTIE IMPLICITE DE QUALITÉ MARCHANDE ET DE COMPATIBILITÉ AVEC UN USAGE PARTICULIER EN CE QUI CONCERNE LES ACCESSOIRES, L'APPAREIL, LES MATÉRIAUX OU LES COMPOSANTS VENDUS MAIS NON FABRIQUÉS PAR TITAN. CES DERNIERS ÉLÉMENTS, VENDUS MAIS NON FABRIQUÉS PAR TITAN (MOTEURS À ESSENCE, COMMUTATEURS, FLEXIBLES, ETC.), SONT SOUMIS, LE CAS ÉCHÉANT, À LA GARANTIE DU FABRICANT. TITAN S'ENGAGE À PORTER ASSISTANCE AUX ACHETEURS, DANS LES LIMITES DU RAISONNABLE, POUR LA CONSTITUTION DE RÉCLAMATIONS RELATIVES AU NON RESPECT DE CES GARANTIES.

GB**Note on disposal:**

In observance of the European Directive 2002/96/EC on waste electrical and electronic equipment and implementation in accordance with national law, this product is not to be disposed of together with household waste material but must be recycled in an environmentally friendly way!



Titan or one of our dealers will take back your used Titan waste electrical or electronic equipment and will dispose of it for you in an environmentally friendly way. Please ask your local Titan service centre or dealer for details or contact us direct.

D**Entsorgungshinweis:**

Gemäß der europäischen Richtlinie 2002/96/EG zur Entsorgung von Elektro-Altgeräten, und deren Umsetzung in nationales Recht, ist dieses Produkt nicht über den Hausmüll zu entsorgen, sondern muss der umweltgerechten Wiederverwertung zugeführt werden!



Ihr Titan-Altgerät wird von uns, bzw. unseren Handelsvertretungen zurückgenommen und für Sie umweltgerecht entsorgt. Wenden Sie sich in diesem Fall an einen unserer Service-Stützpunkte, bzw. Handelsvertretungen oder direkt an uns.

F**Consignes d'élimination:**

Selon la directive européenne 2002/96/CE sur l'élimination des vieux appareils électriques et sa conversion en droit national, ce produit ne peut pas être jeté dans les ordures ménagères, mais est à amener à un point de recyclage en vue d'une élimination dans le respect de l'environnement!



Titan, resp. nos représentations commerciales reprennent votre vieil appareil Titan pour l'éliminer dans le respect de l'environnement. Adressez-vous donc directement à nos points de service resp. représentations commerciales ou directement à nous.

UNITED STATES SALES & SERVICE

WEB: www.titantool.com

PHONE: 1-800-526-5362

FAX: 1-800-528-4826

1770 Fernbrook Lane

Minneapolis, MN 55447

INTERNATIONAL

WEB: www.titantool-international.com

EMAIL: international@titantool.com

FAX: 1-763-519-3509